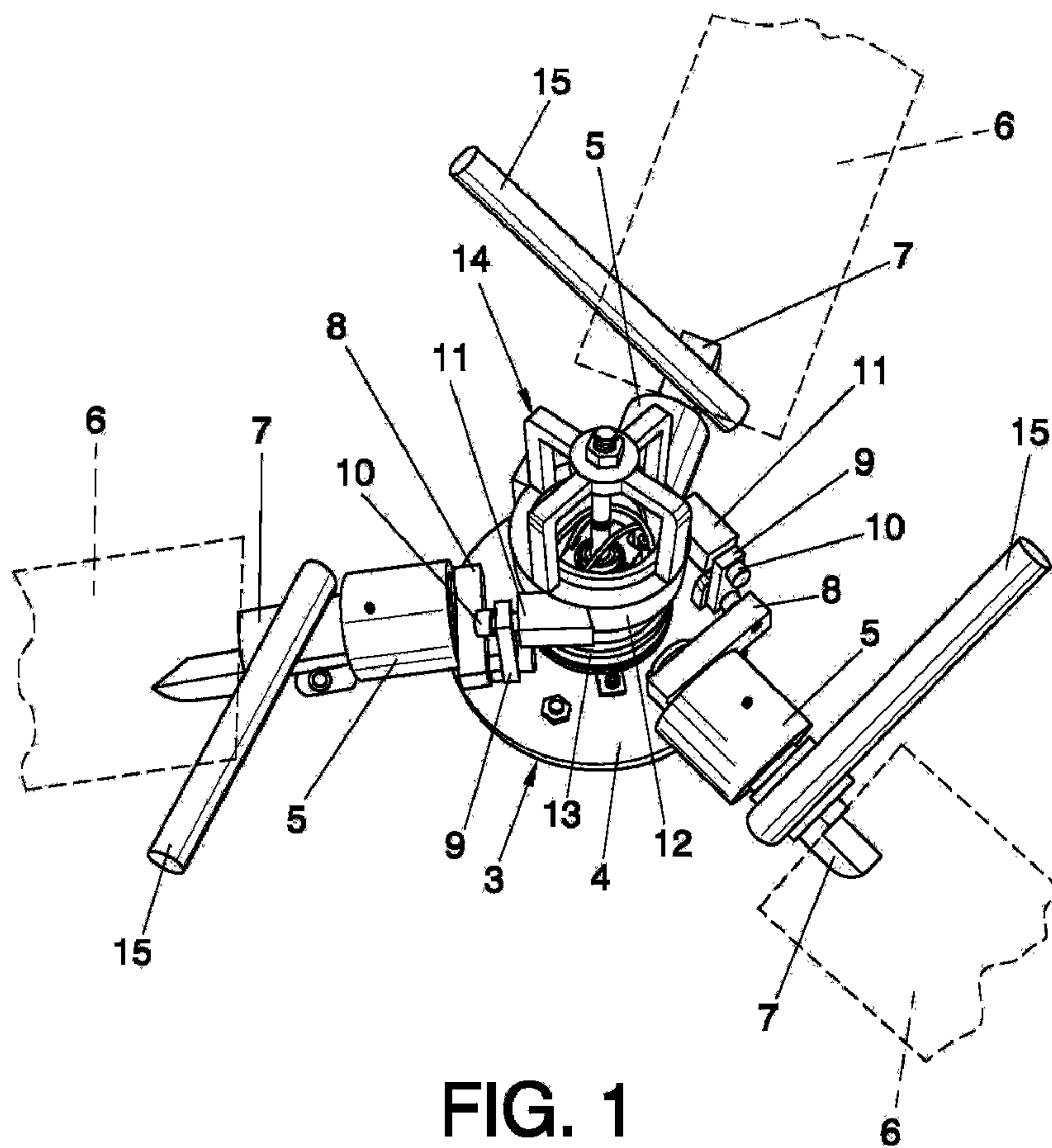




(86) Date de dépôt PCT/PCT Filing Date: 2009/09/15  
 (87) Date publication PCT/PCT Publication Date: 2010/04/01  
 (85) Entrée phase nationale/National Entry: 2011/01/18  
 (86) N° demande PCT/PCT Application No.: ES 2009/070381  
 (87) N° publication PCT/PCT Publication No.: 2010/034861  
 (30) Priorité/Priority: 2008/09/25 (ES U200801941)

(51) Cl.Int./Int.Cl. *F03D 7/02* (2006.01)  
 (71) Demandeur/Applicant:  
SONKYO, S.L., ES  
 (72) Inventeurs/Inventors:  
BORNAY RICO, DAVID, ES;  
BERBEGAL PASTOR, VICENTE, ES  
 (74) Agent: MARKS & CLERK

(54) Titre : DISPOSITIF POUR REGLER LE PAS DES PALES D'UN AEROGENERATEUR  
 (54) Title: DEVICE FOR ADJUSTING THE BLADE PITCH OF A WIND GENERATOR



(57) Abrégé/Abstract:

The device is intended to adjust the pitch of blades or propellers which are articulately coupled by means of end supports inside radial bearings which are solidly joined to a rotating head-piece of a wind generator. This adjustment may be performed either

(57) **Abrégé(suite)/Abstract(continued):**

actively or passively. It is characterised in that the rotating head-piece incorporates a linear actuator (1), such as a cylinder, the shaft of which is connected to a crosspiece (14), the latter being associated with intermediate mechanisms connected to the end supports (7) of the blades (6) so as to vary the pitch thereof when the crosspiece (14) moves, being driven by the shaft of the cylinder.

**ABSTRACT**

The device is intended to adjust the pitch of blades or propellers which are articulately coupled by means of end supports inside radial bearings which are  
5 solidly joined to a rotating head-piece of a wind generator. This adjustment may be performed either actively or passively. It is characterised in that the rotating head-piece incorporates a linear actuator (1), such as a cylinder, the shaft of which is connected to a crosspiece (14), the latter being associated with intermediate mechanisms connected to the end supports (7) of the blades (6)  
10 so as to vary the pitch thereof when the crosspiece (14) moves, being driven by the shaft of the cylinder.

## **DEVICE FOR ADJUSTING THE BLADE PITCH OF A WIND GENERATOR**

### **OBJECT OF THE INVENTION**

The present invention, as stated in the title of this specification, relates to  
5 a device for adjusting the blade pitch of a wind generator intended to modify  
said pitch exactly at the moment that it is needed, either actively, in response to  
a series of pre-set inputs, or passively, actuated by the forces that appear on  
the blades and the counterweights as a consequence of the rotation of the rotor  
array.

10 Therefore, the novelty of the invention is focused on a characteristic  
device which permits the controlled varying of the rotation around the axial  
direction of the blades articulately connected at their base inside radial bearings  
which are solidly joined to a rotating head-piece of the wind generator, the  
rotation and drag thereof being precisely caused by the blades connected to  
15 said head-piece and driven by the force of the wind.

### **BACKGROUND OF THE INVENTION**

Currently, the blade pitch of a wind generator can vary mechanically by  
means of counterweights, so that when the blades rotate, driven by the force of  
20 the wind and due to the resulting centrifugal force, the blades can rotate around  
the imaginary longitudinal axis of said blades, particularly when the velocity of  
the wind generator starts to become dangerous due to excessively strong  
winds.

The blade pitch can also actively be actuated hydraulically.  
25

### **DESCRIPTION OF THE INVENTION**

The device for adjusting the blade pitch of a wind generator is  
characterised in that it is defined by a linear actuator located in a central hollow  
of a rotor head-piece provided with several tubular radial bearings where each  
30 blade of the wind generator is articulately connected by means of end supports  
where said blades are fixed.

The rotating headpiece basically comprises a tubular body inside of  
which the linear actuator and an annular extension wherein the tubular radial  
bearings are solidly joined are located.

35 In turn, a spring is coupled around the tubular body, as is a characteristic

mobile crosspiece which incorporates a coupled ring which is guided around an end span of the tubular body, so that the linear actuator is connected to a central point of the crosspiece to move this crosspiece, either against the resistance of the spring or with it, thus varying the blade pitch and producing a rotation thereof around the axial direction thereof.

On the other hand, the linear movement of the crosspiece is transmitted to each one of the blades by means of a connecting rod which is hinged at one end in a short shaft connected to the ring of the crosspiece while the other end of the connecting rod hinges to a short arm solidly joined to the end support where the respective blade is fastened.

The blades can also include counterweights, as occurs conventionally, to passively reduce the revolutions of the rotor head-piece.

In this manner it is possible to make the adjustment system operate independently from the counterweight system, i.e., from a specific parameter, for example, the number of revolutions of the rotor head-piece array, the speed of the wind, etc.; whose duly treated parameter could automatically activate the operating means of the characteristic actuator of the invention.

Below, to provide towards a better understanding of this specification and forming an integral part thereof, figures are attached hereto, in an illustrative and non-limitative character, the object of the invention has been represented.

#### **BRIEF DESCRIPTION OF THE DRAWINGS**

Figure 1 Shows a perspective view of a rotor head-piece of a wind generator for adjusting the blade pitch of a wind generator, object of the invention.

Figure 2 Shows an elevational, sectioned view of that represented in the previous figure.

#### **DESCRIPTION OF A PREFERRED EMBODIMENT**

Considering the numbering used in the figures, the device for adjusting the blade pitch of a wind generator comprises a linear actuator, such as a hydraulic or pneumatic cylinder 1, located in a central hollow limited by a tubular body 2 which forms part of a rotating head-piece 3 further provided with an annular extension 4, where to are solidly joined several radial bearings 5 where blades 6 articulately couple by means of end supports 7 where to, in turn, arms 8 associated to connecting rods 9 are connected, linked by their free ends to

## 3

short shafts 10 fastened to solid pieces 11 solidly joined to a ring 12 guided and coupled around a tubular body 2, around which is also coupled a spring 13.

5 The ring 12 forms part of a crosspiece 14 which projects out from the free end of the tubular body 2, while the shaft of the cylinder 1 is fastened in the centre of the crosspiece 14, so that when the shaft of the cylinder 1 moves linearly, the blade pitch 6 rotating around the imaginary longitudinal axle of said blades is modified.

10 The end supports 7 of the blades 7 also include counterweights 15 to be able to passively adjust the pitch of the propellers or blades 6, as occurs conventionally, during the rotation of the rotor headpiece 3 driven by the force of the wind through the blades 6.

15 The blade pitch 6 can be voluntarily adjusted by means of the cylinder 1, and also passively by associating the control of the activation of the cylinder 1 to the wind velocity parameter or to other parameters.

**CLAIMS**

1. Device for adjusting the blade pitch of a wind generator, which is  
5 intended to adjust the pitch of articulately coupled blades or propellers by  
means of end supports, in radial bearings solidly joined to a rotating head-piece  
of a wind generator, characterised in that the head-piece includes a linear  
actuator (1), such as a cylinder, the shaft of which is connected to a crosspiece  
10 (14), which is associated to intermediate mechanisms connected to the end  
supports (7) of the blades (6) to vary the weight thereof when the crosspiece  
(14) is moved, driven by the shaft of the cylinder (1).

2. Device for adjusting the blade pitch of a wind generator, according to  
claim 1, characterised in that the cylinder (1) is located inside a tubular body (2)  
15 of the rotating head-piece (3), a spring (13) and a guided ring (12) which forms  
part of the crosspiece (14) which projects out from an end of said tubular body  
(2) being coupled around the aforementioned tubular body (2).

3. Device for adjusting the blade pitch of a wind generator, according to  
20 claim 2, characterised in that the crosspiece (14) is lined to each one of the end  
supports (7) by means of a connecting rod (9) which hinges at one end to an  
arm (8) solidly joined to the respective end support (7) while the opposite end of  
that connecting rod (9) hinges to a short shaft (10) fastened to a piece (11)  
solidly joined to the ring (12).

25

4. Device for adjusting the blade pitch of a wind generator, according to any  
of the preceding claims, characterised in that the end supports (7) of the blades  
(6) include counterweights (15) that can make the pitch of the blades (6) vary  
during the rotation of the rotor head-piece (3).

30

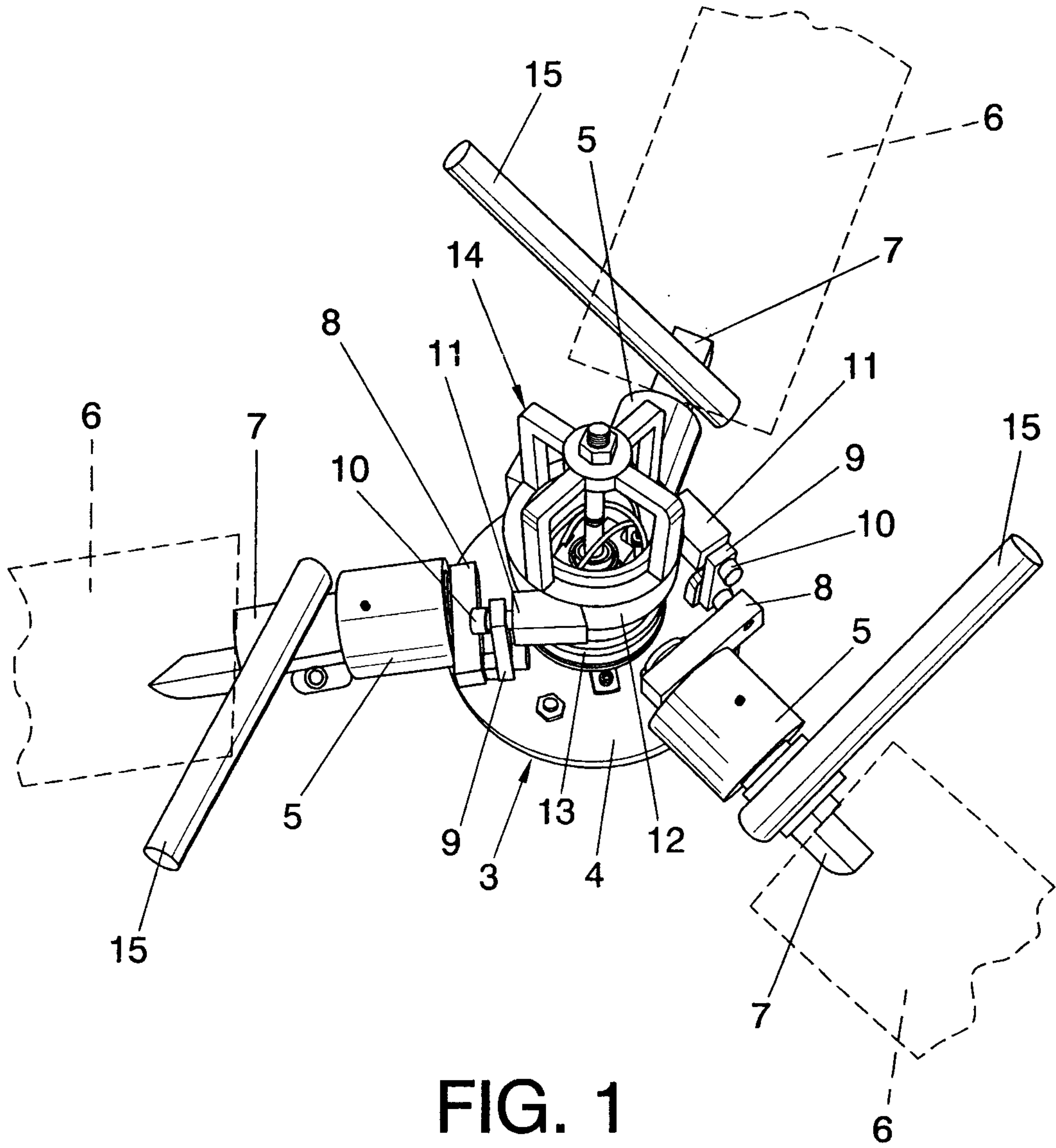


FIG. 1



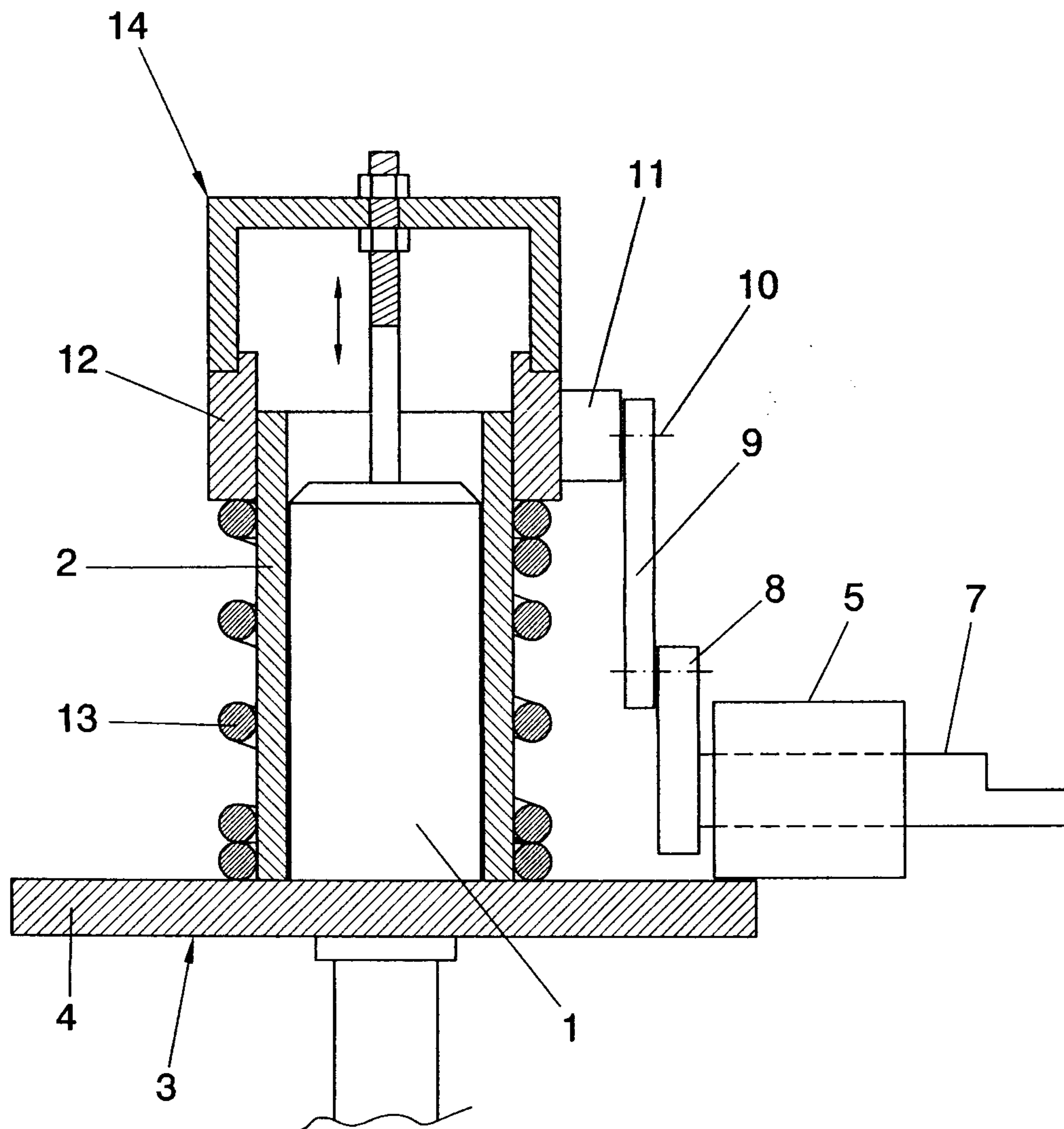
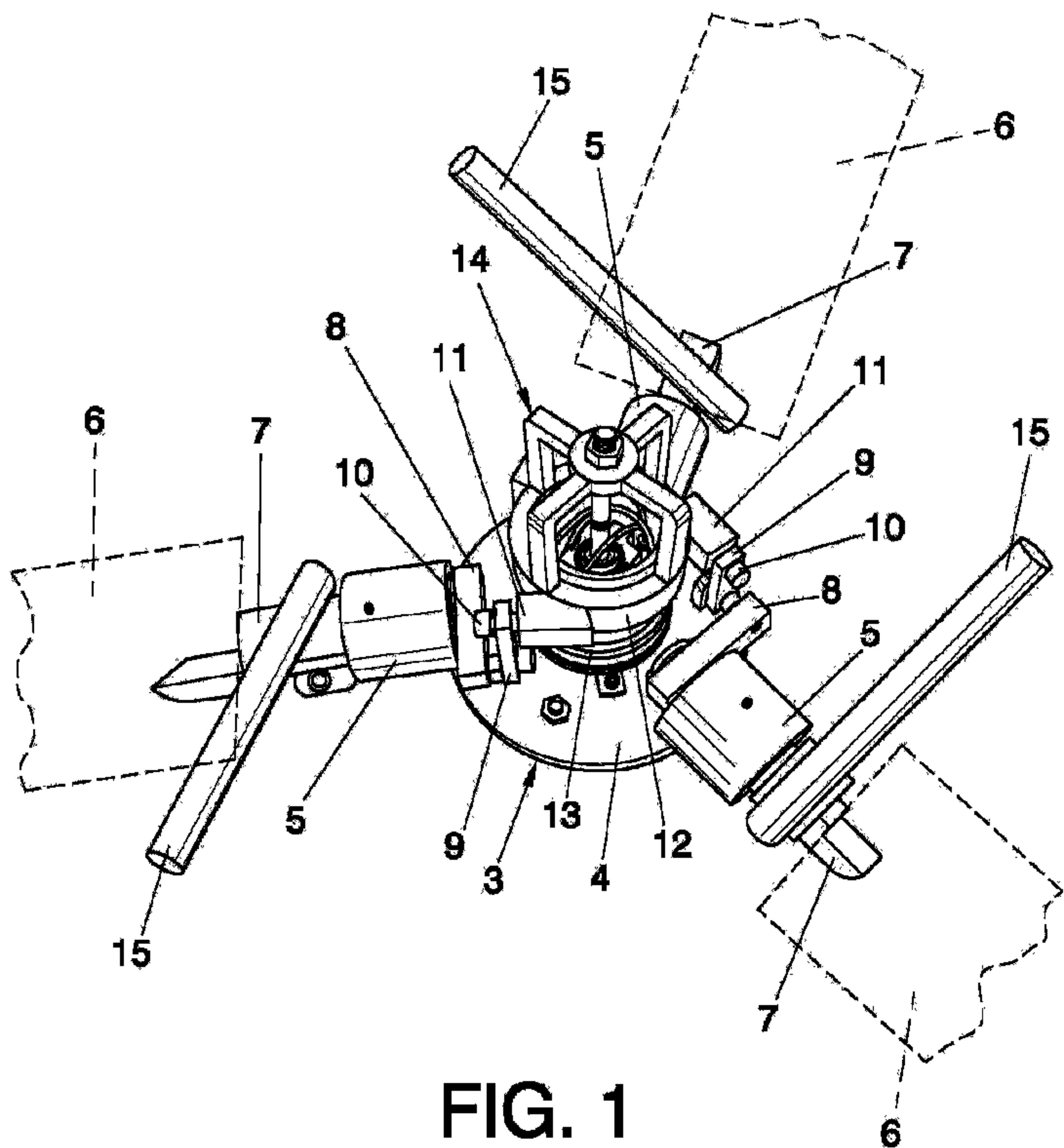


FIG. 2



**FIG. 1**