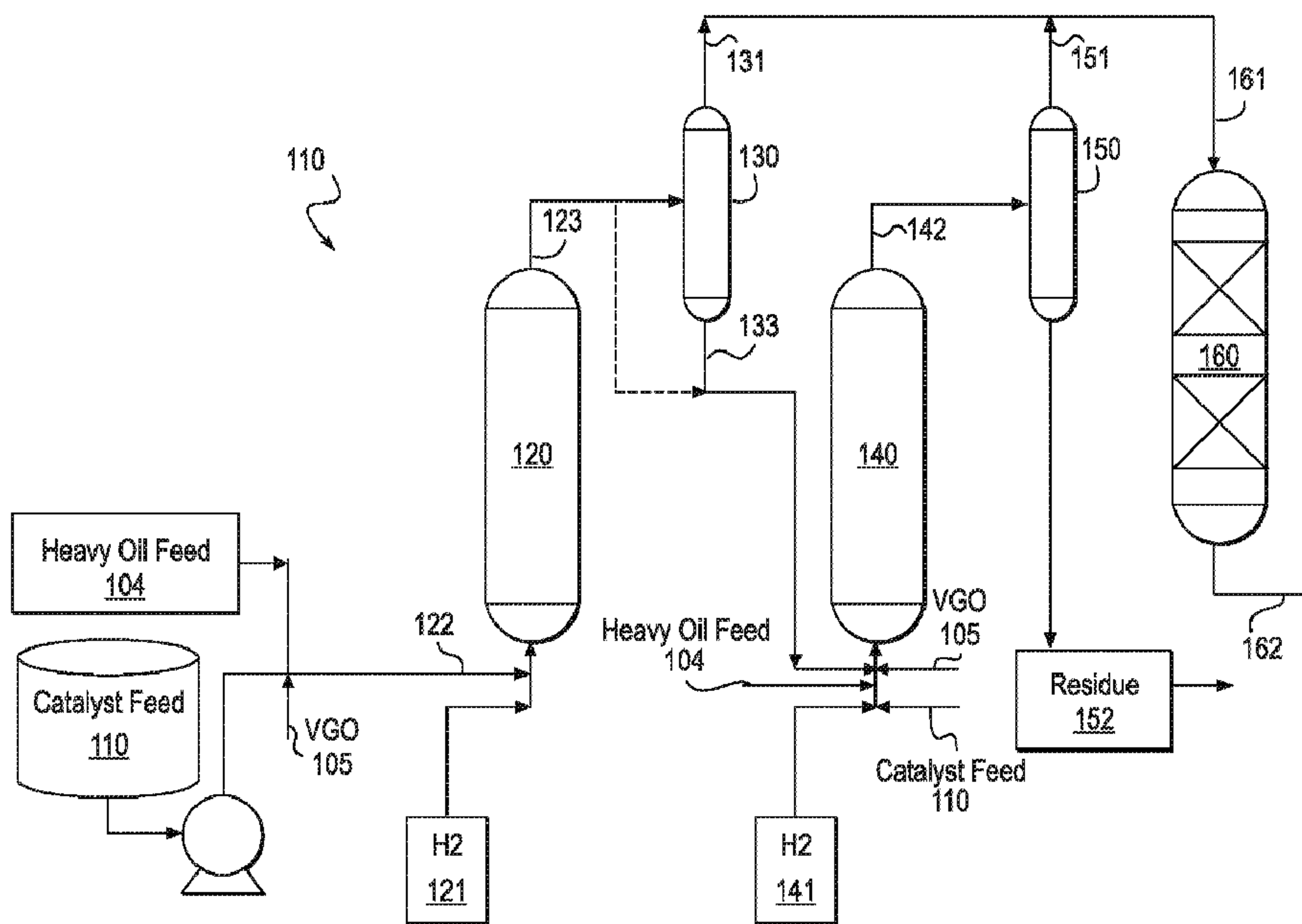




(86) Date de dépôt PCT/PCT Filing Date: 2009/09/15
 (87) Date publication PCT/PCT Publication Date: 2010/03/25
 (45) Date de délivrance/Issue Date: 2017/04/18
 (85) Entrée phase nationale/National Entry: 2011/03/15
 (86) N° demande PCT/PCT Application No.: US 2009/056932
 (87) N° publication PCT/PCT Publication No.: 2010/033487
 (30) Priorités/Priorities: 2008/09/18 (US12/212,796);
 2008/09/18 (US12/233,327); 2008/09/18 (US12/212,737);
 2008/09/18 (US12/233,171); 2008/09/18 (US12/233,393);
 2008/09/18 (US12/233,439); 2009/07/21 (US12/506,840);
 2009/07/21 (US12/506,885); 2009/07/21 (US12/506,987);
 2009/07/21 (US12/506,937)

(51) Cl.Int./Int.Cl. *C10G 65/02* (2006.01),
C10G 45/02 (2006.01)
 (72) Inventeurs/Inventors:
 FARSHID, DARUSH, US;
 REYNOLDS, BRUCE, US;
 CHABOT, JULIE, US;
 KOU, BO, US;
 BRENNAN, VIVION ANDREW, US;
 MARIS, ERIN, US;
 YANG, SHUWU, US;
 ...
 (73) Propriétaire/Owner:
 CHEVRON U.S.A. INC., US
 (74) Agent: AIRD & MCBURNEY LP

(54) Titre : SYSTEMES ET PROCEDES DE PRODUCTION D'UN PRODUIT BRUT
 (54) Title: SYSTEMS AND METHODS FOR PRODUCING A CRUDE PRODUCT



(57) Abrégé/Abstract:

A flexible once-through process for hydroprocessing heavy oil feedstock is disclosed. The process employs a plurality of contacting zones and at least a separation zone to convert at least a portion of the heavy oil feedstock to lower boiling hydrocarbons, forming

(72) **Inventeurs(suite)/Inventors(continued)**: BISWAS, GOUTAM, US; CHEN, K Aidong, US; NGUYEN, JOSEPH V., US; BRAIT, AXEL, US; BHADURI, RAHUL S., US; KUPERMAN, ALEXANDER E., US

(57) **Abrégé(suite)/Abstract(continued)**:

upgraded products. The contacting zones operate under hydrocracking conditions, employing a slurry catalyst which comprises an active metal catalyst having an average particle size of at least 1 micron in a hydrocarbon oil diluent, at a concentration of greater than 500 wppm of active metal catalyst to heavy oil feedstock. The plurality of contacting zones and separation zones are configured in a permutable fashion allowing the once-through process to be flexible operating in various modes: a sequential mode; a parallel mode; a combination of parallel and sequential mode; all online; some online and some on stand-by; some online and some off-line; a parallel mode with the effluent stream from the contacting zone being sent to at least a separation zone in series with the contacting zone; a parallel mode with the effluent stream from the contacting zone being combined with an effluent stream from at least another contacting zone and sent to the separation zone; and combinations thereof. In one embodiment, the effluent from a contacting zone is sent to the next contacting zone in series for further upgrade, with the next contacting zone having a pressure drop of at most 100 psi, with the pressure drop is not due to a pressure reducing device as in the prior art. In one embodiment, at least an additive material selected from inhibitor additives, anti-foam agents, stabilizers, metal scavengers, metal contaminant removers, metal passivators, and sacrificial materials, in an amount of less than 1 wt. % of the heavy oil feedstock, is added to at least one of the contacting zones.

(12) INTERNATIONAL APPLICATION PUBLISHED UNDER THE PATENT COOPERATION TREATY (PCT)

CORRECTED VERSION

(19) World Intellectual Property Organization
International Bureau(43) International Publication Date
25 March 2010 (25.03.2010)

PCT

(10) International Publication Number
WO 2010/033487 A9(51) International Patent Classification:
C10G 65/02 (2006.01) C10G 45/02 (2006.01)(21) International Application Number:
PCT/US2009/056932(22) International Filing Date:
15 September 2009 (15.09.2009)

(25) Filing Language: English

(26) Publication Language: English

(30) Priority Data:

| | | |
|------------|--------------------------------|----|
| 12/233,327 | 18 September 2008 (18.09.2008) | US |
| 12/212,796 | 18 September 2008 (18.09.2008) | US |
| 12/233,439 | 18 September 2008 (18.09.2008) | US |
| 12/233,393 | 18 September 2008 (18.09.2008) | US |
| 12/233,171 | 18 September 2008 (18.09.2008) | US |
| 12/212,737 | 18 September 2008 (18.09.2008) | US |
| 12/506,937 | 21 July 2009 (21.07.2009) | US |
| 12/506,987 | 21 July 2009 (21.07.2009) | US |
| 12/506,885 | 21 July 2009 (21.07.2009) | US |
| 12/506,840 | 21 July 2009 (21.07.2009) | US |

(71) Applicant (for all designated States except US):
CHEVRON U.S.A. INC. [US/US]; 6001 Bollinger
Canyon Road, San Ramon, California 94583 (US).

(72) Inventors; and
(75) Inventors/Applicants (for US only): **FARSHID, Darush** [US/US]; 19 Hillcrest Avenue, Larkspur, California 94939 (US). **REYNOLDS, Bruce** [US/US]; 1739 Jeanne Circle, Martinez, California 94552 (US). **CHABOT, Julie** [CA/US]; 46 Maybeck Street, Novato, California 94949 (US). **KOU, Bo** [CA/US]; 535 Pierce Street, #2203, Albany, California 94706 (US). **BRENNAN, Vivion, Andrew** [IE/US]; 2828 Balboa Street, San Francisco, California 94121 (US). **MARIS, Erin** [US/US]; 1 Avocet Court, Alameda, California 94501 (US). **YANG, Shuwu** [CN/US]; 227 Tanglewood Drive, Richmond, California 94806 (US). **BISWAS, Goutam** [IN/US]; 51 Vicenza Court, Danville, California 94526 (US). **CHEN, Kaidong** [CN/US]; 516 Evelyn Avenue, Albany, California 94706 (US). **NGUYEN, Joseph, V.** [US/US]; 535 Pierce Street, #5405, Albany, California 94706 (US). **BRAIT, Axel** [AT/US]; 135 Humboldt Street, San Rafael, California 94901 (US). **BHADURI, Rahul, S.** [IN/US]; 325 Rheem

[Continued on next page]

(54) Title: SYSTEMS AND METHODS FOR PRODUCING A CRUDE PRODUCT

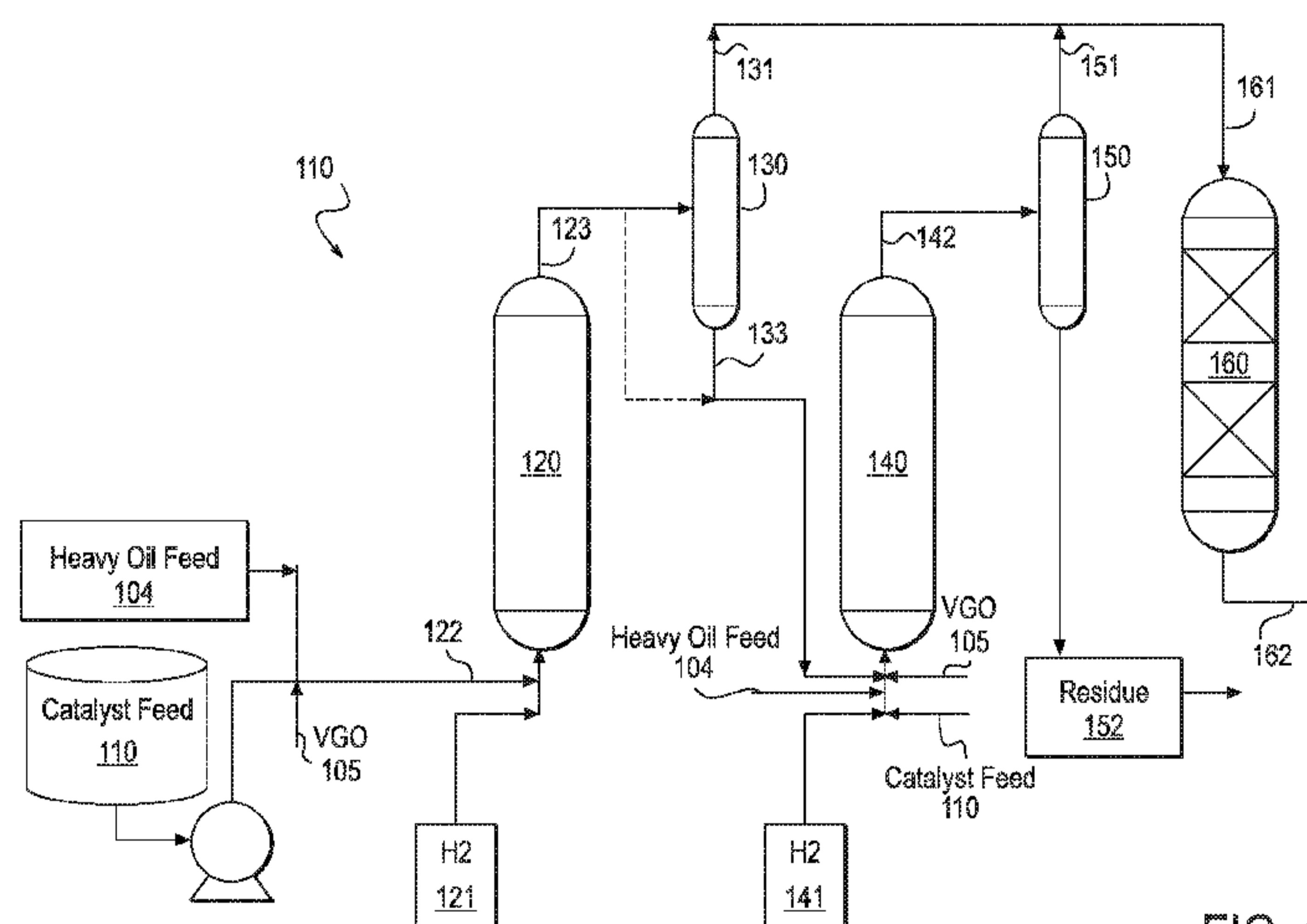


FIG. 1

(57) Abstract: A flexible once-through process for hydroprocessing heavy oil feedstock is disclosed. The process employs a plurality of contacting zones and at least a separation zone to convert at least a portion of the heavy oil feedstock to lower boiling hydrocarbons, forming upgraded products. The contacting zones operate under hydrocracking conditions, employing a slurry catalyst which comprises an active metal catalyst having an average particle size of at least 1 micron in a hydrocarbon oil diluent, at a concentration of greater than 500 wppm of active metal catalyst to heavy oil feedstock. The plurality of contacting zones and separation zones are configured in a permutable fashion allowing the once-through process to be flexible operating in various modes: a sequential mode; a parallel mode; a combination of parallel and sequential mode; all online; some online and some on stand-by; some online and some off-line; a parallel mode with the effluent stream from the contacting zone being sent to at least a separation zone in series with the contacting zone; a parallel mode with the effluent stream from the contacting zone being combined with an effluent stream from at least another contacting zone and sent to the separation zone; and combinations thereof. In one embodiment, the effluent from a contacting zone is sent to the next contacting zone in series for further upgrade, with the next contacting zone having a pressure drop of at most 100 psi, with the pressure drop is not due to a pressure reducing device as in the prior art. In one embodiment, at least an additive

[Continued on next page]

WO 2010/033487 A9

WO 2010/033487 A9

Blvd., Moraga, California 94556 (US). **KUPERMAN, Alexander, E.** [CA/US]; 231 Courtney Lane, Orinda, California 94563 (US).

TR), OAPI (BF, BJ, CF, CG, CI, CM, GA, GN, GQ, GW, ML, MR, NE, SN, TD, TG).

(74) Agents: PHAM, Hanh, T. et al.; Chevron Corporation, Law Department, Post Office Box 6006, San Ramon, California 94583-0806 (US).

(81) Designated States (unless otherwise indicated, for every kind of national protection available): AE, AG, AL, AM, AO, AT, AU, AZ, BA, BB, BG, BH, BR, BW, BY, BZ, CA, CH, CL, CN, CO, CR, CU, CZ, DE, DK, DM, DO, DZ, EC, EE, EG, ES, FI, GB, GD, GE, GH, GM, GT, HN, HR, HU, ID, IL, IN, IS, JP, KE, KG, KM, KN, KP, KR, KZ, LA, LC, LK, LR, LS, LT, LU, LY, MA, MD, ME, MG, MK, MN, MW, MX, MY, MZ, NA, NG, NI, NO, NZ, OM, PE, PG, PH, PL, PT, RO, RS, RU, SC, SD, SE, SG, SK, SL, SM, ST, SV, SY, TJ, TM, TN, TR, TT, TZ, UA, UG, US, UZ, VC, VN, ZA, ZM, ZW.

(84) Designated States (unless otherwise indicated, for every kind of regional protection available): ARIPO (BW, GH, GM, KE, LS, MW, MZ, NA, SD, SL, SZ, TZ, UG, ZM, ZW), Eurasian (AM, AZ, BY, KG, KZ, MD, RU, TJ, TM), European (AT, BE, BG, CH, CY, CZ, DE, DK, EE, ES, FI, FR, GB, GR, HR, HU, IE, IS, IT, LT, LU, LV, MC, MK, MT, NL, NO, PL, PT, RO, SE, SI, SK, SM,

Declarations under Rule 4.17:

- as to applicant's entitlement to apply for and be granted a patent (Rule 4.17(ii))
- as to the applicant's entitlement to claim the priority of the earlier application (Rule 4.17(iii))

Published:

- with international search report (Art. 21(3))
- with information concerning authorization of rectification of an obvious mistake under Rule 91.3 (b) (Rule 48.2(i))

(88) Date of publication of the international search report:
1 July 2010

(48) Date of publication of this corrected version:
16 September 2010

(15) Information about Corrections:
see Notice of 16 September 2010

Previous Correction:
see Notice of 3 June 2010

material selected from inhibitor additives, anti-foam agents, stabilizers, metal scavengers, metal contaminant removers, metal passivators, and sacrificial materials, in an amount of less than 1 wt. % of the heavy oil feedstock, is added to at least one of the contacting zones.

Systems and Methods for Producing a Crude Product

CROSS-REFERENCE TO RELATED APPLICATIONS

[001] This application claims priority to US Patent Application Serial Nos. 5 12/233,171, 12/233,327, 12/233,393, 12/233,439, 12/212,796, and 12/212,737, all with a filing date of September 18, 2008, and 12/506,987, 12/506,937, and 12/506,840, all with a filing date of July 21, 2009. This application claims priority to and benefits from the foregoing.

10 TECHNICAL FIELD

[002] The invention relates to systems and methods for treating or upgrading heavy oil feeds, and crude products produced using such systems and methods.

BACKGROUND

15 [003] The petroleum industry is increasingly turning to heavy oil feeds such as heavy crudes, resids, coals, tar sands, etc., as sources for feedstocks. These feedstocks are characterized by high concentrations of asphaltenes rich residues, and low API gravities, with some being as low as less than 0° API.

[004] US Patent Nos. 7390398, 7431822, 7431823, and 7431831 describe processes, 20 systems, and catalysts for processing heavy oil feeds. In various embodiments in the prior art, spent slurry catalyst and unconverted heavy oil feeds are recycled back to the process and combined with fresh heavy oil feeds, thus maximizing heavy oil conversion.

[005] There is still a need for improved systems and methods to upgrade / treat 25 process heavy oil feeds, particularly improved systems for better raw material utilization with less catalyst usage.

SUMMARY OF THE INVENTION

[006] In one aspect, the invention relates to a process for hydroprocessing a heavy oil feedstock, the process employs a plurality of contacting zones and at least a separation 30 zone, the process comprising: providing a hydrogen containing gas feed; providing a slurry catalyst comprising an active catalyst in a hydrocarbon oil diluent; combining at least a portion of the hydrogen containing gas feed, at least a portion of the heavy oil feedstock, and at least a portion of the slurry catalyst in a first contacting zone under hydrocracking conditions at a sufficient temperature and a sufficient pressure to convert at least a portion of

the heavy oil feedstock to lower boiling hydrocarbons, forming upgraded products; sending a first effluent stream from the first contacting zone comprising a mixture of the upgraded products, the slurry catalyst, the hydrogen containing gas, and unconverted heavy oil feedstock as a feed to a first separation zone, wherein volatile upgraded products are removed with the hydrogen containing gas as a first overhead stream, and the slurry catalyst, heavier hydrocracked liquid products, and the unconverted heavy oil feedstock are removed as a first non-volatile stream; wherein the plurality of contacting zones and separation zones are configured in a permutable fashion for the plurality of contacting zones and separation zones to operate in: a sequential mode; a parallel mode; a combination of parallel and sequential mode; all online; some online and some on stand-by; some online and some off-line; a parallel mode with the effluent stream from the contacting zone being sent to at least a separation zone in series with the contacting zone; a parallel mode with the effluent stream from the contacting zone being combined with an effluent stream from at least another contacting zone and sent to the separation zone; and combinations thereof.

[007] In another aspect, the invention relates to a process for hydroprocessing a heavy oil feedstock, the process employing a plurality of contacting zones and at least a separation zone, including a first contacting zone and a contacting zone other than the first contacting zone, the process comprising: providing a hydrogen containing gas feed; providing a heavy oil feedstock; providing a slurry catalyst feed comprising an active metal catalyst having an average particle size of at least 1 micron in a hydrocarbon oil diluent, at a concentration of greater than 500 wppm of active metal catalyst to heavy oil feedstock; combining at least a portion of the hydrogen containing gas feed, at least a portion of the heavy oil feedstock, and at least a portion of the slurry catalyst feed in a first contacting zone under hydrocracking conditions to convert at least a portion of the first heavy oil feedstock to lower boiling hydrocarbons, forming upgraded products; sending a first effluent stream from the first contacting zone comprising the upgraded products, the slurry catalyst, the hydrogen containing gas, and unconverted heavy oil feedstock to a first separation zone, wherein volatile upgraded products are removed with the hydrogen containing gas as a first overhead stream, and the slurry catalyst, heavier hydrocracked liquid products, and the unconverted heavy oil feedstock are separated and removed as a first non-volatile stream, wherein the first non-volatile stream contains less than 30% solid; collecting the first overhead stream for further processing in a product purification unit; and collecting the first non-volatile streams for further processing including slurry catalyst separation and recovery, wherein the slurry

catalyst is separated from the unconverted heavy oil feedstock and the heavier hydrocracked liquid products and recovered.

[008] In a third aspect, the invention relates to a process for hydroprocessing a heavy oil feedstock, the process employing a plurality of contacting zones and at least a separation zone, including a first contacting zone and a contacting zone other than the first contacting zone, the process comprising: providing a hydrogen containing gas feed; providing a heavy oil feedstock; providing at least an additive material selected from inhibitor additives, anti-foam agents, stabilizers, metal scavengers, metal contaminant removers, metal passivators, and sacrificial materials, in an amount of less than 1 wt. % of the heavy oil feedstock; providing a slurry catalyst feed comprising an active metal catalyst having an average particle size of at least 1 micron in a hydrocarbon oil diluent; combining at least a portion of the hydrogen containing gas feed, at least a portion of the heavy oil feedstock, at least a portion of the additive material, and at least a portion of the slurry catalyst feed in a first contacting zone under hydrocracking conditions to convert at least a portion of the first heavy oil feedstock to lower boiling hydrocarbons, forming upgraded products; sending a first effluent stream from the first contacting zone to a first separation zone, wherein volatile upgraded products are removed with the hydrogen containing gas as a first overhead stream, and the slurry catalyst, heavier hydrocracked liquid products, and unconverted heavy oil feedstock are separated and removed as a first non-volatile stream, wherein the first non-volatile stream contains less than 30% solid; collecting the first overhead stream for further processing in a product purification unit; and collecting the first non-volatile stream for further processing in a catalyst recovery unit.

[009] In yet another aspect, the invention relates to a process for a process for hydroprocessing a heavy oil feedstock, the process employing a plurality of contacting zones and at least a separation zone, the process comprising: providing a hydrogen containing gas feed; providing a heavy oil feedstock; providing a slurry catalyst feed comprising an active metal catalyst having an average particle size of at least 1 micron in a hydrocarbon oil diluent; combining at least a portion of the hydrogen containing gas feed, at least a portion of the heavy oil feedstock, and at least a portion of the slurry catalyst feed in a first contacting zone under hydrocracking conditions, operating at a first pressure, to convert at least a portion of the first heavy oil feedstock to lower boiling hydrocarbons, forming upgraded products; sending a first effluent stream from the first contacting zone to a first separation zone having an entry pressure of most 100 psi less than the first pressure, wherein volatile upgraded products are removed with the hydrogen containing gas as a first overhead stream,

and the slurry catalyst, heavier hydrocracked liquid products, and unconverted heavy oil feedstock are removed as a first non-volatile stream, wherein the first non-volatile stream contains less than 30% solid; collecting the first overhead stream for further processing in a product purification unit; and collecting the first non-volatile stream for further processing in a catalyst recovery unit.

[009a] In accordance with another aspect, there is provided a process for hydroprocessing a heavy oil feedstock, the process employing a plurality of contacting zones and at least one separation zone, including a first contacting zone and a contacting zone other than the first contacting zone, the process comprising:

10 providing a hydrogen containing gas feed;

providing a heavy oil feedstock:

providing a slurry catalyst feed comprising an active metal catalyst having an average particle size of at least 1 micron in a hydrocarbon oil diluent, at a concentration of greater than 500 wppm of active metal catalyst to heavy oil feedstock;

15 adding an amount of water of up to 30 wt% of the heavy oil feedstock to at least one of a first contacting zone and a contacting zone other than the first contacting zone;

combining at least a portion of the hydrogen containing gas feed, at least a portion of the heavy oil feedstock, water, and at least a portion of the slurry catalyst feed in the first contacting zone under hydrocracking conditions to convert at least a portion of the first heavy oil feedstock to lower boiling hydrocarbons, forming upgraded products;

20 sending a first effluent stream from the first contacting zone comprising the upgraded products, the slurry catalyst, the hydrogen containing gas, and unconverted heavy oil feedstock to a first separation zone, wherein volatile upgraded products are removed with the hydrogen containing gas as a first overhead stream, and the slurry catalyst and the unconverted heavy oil feedstock are removed as a first non-volatile stream, wherein the first non-volatile stream contains less than 30% solid;

collecting the first overhead stream for further processing; and
collecting the first non-volatile stream for further processing.

[009b] In accordance with a further aspect, there is provided a process for

hydroprocessing a heavy oil feedstock, the process employing a plurality of contacting zones and at least a separation zone, including a first contacting zone and a contacting zone other than the first contacting zone, the process comprising:

- providing a hydrogen containing gas feed;
- 5 providing a heavy oil feedstock;
- providing an additive material selected from the group consisting of inhibitor additives, anti-foam agents, stabilizers, metal scavengers, metal contaminant removers, metal passivators, sacrificial materials, and mixtures thereof, in an amount of less than 1 wt. % of the heavy oil feedstock;
- 10 providing a slurry catalyst feed comprising an active metal catalyst having an average particle size of at least 1 micron in a hydrocarbon oil diluent;
- adding an amount of water of up to 30 wt% of the heavy oil feedstock to at least one of a first contacting zone and a contacting zone other than the first contacting zone;
- combining at least a portion of the hydrogen containing gas feed, at least a portion of the heavy oil feedstock, water, at least a portion of the additive material, and at least a portion of the slurry catalyst feed in the first contacting zone under hydrocracking conditions to convert at least a portion of the first heavy oil feedstock to lower boiling hydrocarbons, forming upgraded products;
- 15 sending a first effluent stream from the first contacting zone comprising the upgraded products, the slurry catalyst, the hydrogen containing gas, and unconverted heavy oil feedstock to a first separation zone, wherein volatile upgraded products are removed with the hydrogen containing gas as a first overhead stream, and the slurry catalyst and unconverted heavy oil feedstock are removed as a first non-volatile stream, wherein the first non-volatile stream contains less than 30% solid;
- 20 collecting the first overhead stream for further processing; and
- collecting the first non-volatile stream for farther processing.

[009c] In accordance with another aspect, there is provided a process for hydroprocessing a heavy oil feedstock, the process employs a plurality of contacting zones and at least one separation zone, the process comprising:

- 30 providing a hydrogen containing gas feed;
- providing a slurry catalyst comprising an active catalyst in a hydrocarbon oil diluent;

adding an amount of water of up to 30 wt% of the heavy oil feedstock to at least one of a first contacting zone and a contacting zone other than the first contacting zone;

combining at least a portion of the hydrogen containing gas feed, at least a portion of the heavy oil feedstock, water, and at least a portion of the slurry catalyst in the first
 5 contacting zone under hydrocracking conditions at a sufficient temperature and a sufficient pressure to convert at least a portion of the heavy oil feedstock to lower boiling hydrocarbons, forming upgraded products;

sending a first effluent stream from the first contacting zone comprising a mixture of the upgraded products, the slurry catalyst, the hydrogen containing gas, and unconverted
 10 heavy oil feedstock as a feed to a first separation zone, wherein volatile upgraded products are removed with the hydrogen containing gas as a first overhead stream, and the slurry catalyst and the unconverted heavy oil feedstock are removed as a first non-volatile stream;

wherein the plurality of contacting zones and separation zones are configured in a permutable fashion for the plurality of contacting zones and separation zones to operate in: a
 15 sequential mode; a parallel mode; a combination of parallel and sequential mode; all online; at least one online and at least one on stand-by; some online and some off-line; a parallel mode with the effluent stream from the contacting zone being sent to at least a separation zone in series with the contacting zone; a parallel mode with the effluent stream from the contacting zone being combined with an effluent stream from a different contacting zone and
 20 sent to the separation zone; and combinations thereof.

[009d] In accordance with another aspect, there is provided a process for hydroprocessing a heavy oil feedstock, the process employing a plurality of contacting zones and at least one separation zones, the process comprising:

providing a hydrogen containing gas feed;
 25 providing a heavy oil feedstock;
 providing a slurry catalyst feed comprising an active metal catalyst having an average particle size of at least 1 micron in a hydrocarbon oil diluent;

adding an amount of water of up to 30 wt% of the heavy oil feedstock to at least one of a first contacting zone and a contacting zone other than the first contacting zone;

30 combining at least a portion of the hydrogen containing gas feed, at least a portion of the heavy oil feedstock, water, at least a portion of the additive material, and at least a

portion of the slurry catalyst feed in the first contacting zone under hydrocracking conditions, operating at a first pressure, to convert at least a portion of the first heavy oil feedstock to lower boiling hydrocarbons, forming upgraded products, the first contacting zone has an exit pressure of X;

5 sending a first effluent stream from the first contacting zone to a first separation zone having an entry pressure of Y, wherein volatile upgraded products are removed with the hydrogen containing gas as a first overhead stream, and the slurry catalyst and unconverted heavy oil feedstock are removed as a first non-volatile stream, wherein the first non-volatile stream contains less than 30% solid;

10 recovering the first overhead stream; and
 recovering the first non-volatile stream;

wherein there is a pressure drop Z between the exit pressure X of the first contacting zone and the entry pressure Y of the first separation zone, and Z is less than 100 psi.

15 BRIEF DESCRIPTION OF THE DRAWINGS

[010] Figure 1 is a flow diagram that schematically illustrates an embodiment of a once-through upgrade system with two contacting zones running in sequential mode (series).

[011] Figure 2 is a flow diagram of a second embodiment of an upgrade process with three contacting zones running in sequential mode, with each of the contacting zones
 20 having a separation zone in series with optional by-pass.

[012] Figure 3 is a flow diagram of another embodiment of a once-through upgrade process with three contacting zones running in tandem (parallel), with each of the contacting zones having a separation zone in series with optional by-pass.

[013] Figure 4 is a flow diagram of an embodiment of a flexible once-through
 25 upgrade process with a plurality of contacting zones and separation zones, and with some of the contacting zones running in sequential mode, with the third reactor on stand-by, or running in tandem with separate feed streams.

[014] Figure 5 is a flow diagram of another embodiment of the flexible once-through
 30 upgrade process with the units running in tandem (parallel) with steam injection, VGO and additive feeds to some of the contacting zones.

[015] Figure 6 is a flow diagram of another embodiment of the flexible once-through upgrade process with three contacting zones running in tandem (parallel) and sharing one separation zone.

5 [016] Figure 7 is a flow diagram of yet another embodiment of a once-through upgrade process with two contacting zones running in sequential mode, which sequential operation is in tandem with a single contacting in an upgrade operation with its own heavy oil feed, optional VGO feed, and catalyst feed.

DETAILED DESCRIPTION

10 [017] The present invention relates to an improved system to treat or upgrade heavy oil feeds, particularly heavy oil feedstock having high levels of heavy metals.

[018] The following terms will be used throughout the specification and will have the following meanings unless otherwise indicated.

[019] As used herein, "heavy oil" feed or feedstock refers to heavy and ultra-heavy crudes, including but not limited to resids, coals, bitumen, shale oils, tar sands, etc. Heavy oil feedstock may be liquid, semi-solid, and / or solid. Examples of heavy oil feedstock that might be upgraded as described herein include but are not limited to Canada Tar sands, vacuum resid from Brazilian Santos and Campos basins, Egyptian Gulf of Suez, Chad, Venezuelan Zulia, Malaysia, and Indonesia Sumatra. Other examples of heavy oil feedstock include bottom of the barrel and residuum left over from refinery processes, including "bottom of the barrel" and "residuum" (or "resid") -- atmospheric tower bottoms, which have a boiling point of at least 343°C. (650°F.), or vacuum tower bottoms, which have a boiling point of at least 524°C. (975°F.), or "resid pitch" and "vacuum residue" -- which have a boiling point of 524°C. (975°F.) or greater.

[020] Properties of heavy oil feedstock may include, but are not limited to: TAN of at least 0.1, at least 0.3, or at least 1; viscosity of at least 10 cSt; API gravity at most 15 in one embodiment, and at most 10 in another embodiment. A gram of heavy oil feedstock typically contains at least 0.0001 grams of Ni/V/Fe; at least 0.005 grams of heteroatoms; at least 0.01 grams of residue; at least 0.04 grams C5 asphaltenes; at least 0.002 grams of MCR; per gram of crude; at least 0.00001 grams of alkali metal salts of one or more organic acids; and at least 0.005 grams of sulfur. In one embodiment, the heavy oil feedstock has a sulfur content of at least 5 wt. % and an API gravity of from -5 to +5.

[021] In one embodiment, the heavy oil feedstock comprises Athabasca bitumen (Canada) having at least 50% by volume vacuum resid. In another embodiment, the feedstock is a Boscan (Venezuela) feed with at least 64 % by volume vacuum residue. In one embodiment, the heavy oil feedstock contains at least 100 ppm V (per gram of heavy oil feedstock). In another embodiment, the V level ranges between 500 and 1000 ppm. In a third embodiment, at least 2000 ppm.

[022] The terms "treatment," "treated," "upgrade", "upgrading" and "upgraded", when used in conjunction with a heavy oil feedstock, describes a heavy oil feedstock that is being or has been subjected to hydroprocessing, or a resulting material or crude product, having a reduction in the molecular weight of the heavy oil feedstock, a reduction in the boiling point range of the heavy oil feedstock, a reduction in the concentration of asphaltenes, a reduction in the concentration of hydrocarbon free radicals, and/or a reduction in the quantity of impurities, such as sulfur, nitrogen, oxygen, halides, and metals.

[023] The upgrade or treatment of heavy oil feeds is generally referred herein as “hydroprocessing”. Hydroprocessing is meant as any process that is carried out in the presence of hydrogen, including, but not limited to, hydroconversion, hydrocracking, hydrogenation, hydrotreating, hydrodesulfurization, hydrodenitrogenation, hydrodemetallation, hydrodearomatization, hydroisomerization, hydrodewaxing and hydrocracking including selective hydrocracking. The products of hydroprocessing may show improved viscosities, viscosity indices, saturates content, low temperature properties, volatilities and depolarization, etc.

[024] As used herein, hydrogen refers to hydrogen, and / or a compound or compounds that when in the presence of a heavy oil feed and a catalyst react to provide hydrogen.

[025] SCF / BBL (or scf / bbl) refers to a unit of standard cubic foot of gas (N₂, H₂, etc.) per barrel of hydrocarbon feed.

[026] Nm³/m³ refers to normal cubic meters of gas per cubic meter of heavy oil feed.

[027] VGO or vacuum gas oil, referring to hydrocarbons with a boiling range distribution between 343°C (650°F) and 538°C (1000°F) at 0.101 MPa.

[028] “wppm” means weight parts per million.

[029] As used herein, the term “catalyst precursor” refers to a compound containing one or more catalytically active metals, from which compound a catalyst is eventually formed. It should be noted that a catalyst precursor may be catalytically active as a hydroprocessing catalyst. As used herein, “catalyst precursor” may be referred herein as “catalyst” when used in the context of a catalyst feed.

[030] As used herein, the term “fresh catalyst” refers to a catalyst or a catalyst precursor that has not been used in a reactor in a hydroprocessing operation. The term fresh catalyst herein also includes “re-generated” or “rehabilitated” catalysts, e.g., catalyst that has been used in at least a reactor in a hydroprocessing operation (“used catalyst”) but its catalytic activity has been restored or at least increased to a level well above the used catalytic activity level. The term “fresh catalyst” may be used interchangeably with “fresh slurry catalyst”.

[031] As used herein, the term “slurry catalyst” (or sometimes referred to as “slurry”, or “dispersed catalyst”) refers to a liquid medium, e.g., oil, water, or mixtures thereof, in which catalyst and / or catalyst precursor particles (aggregates, particulates or crystallites) are dispersed within. The term slurry catalyst refers to a fresh catalyst, or a catalyst that has been used in heavy oil upgrading and with diminished activity.

[032] In one embodiment, the slurry catalyst feed stream contains a fresh catalyst. In another embodiment, the slurry catalyst feed contains a well-dispersed catalyst precursor composition capable of forming an active catalyst in situ within the feed heaters and/or the contacting zone. The catalyst particles can be introduced into the medium (diluent) as powder in one embodiment, a precursor in another embodiment, or after a pre-treatment step in a third embodiment. In one embodiment, the medium (or diluent) is a hydrocarbon oil diluent. In another embodiment, the liquid medium is the heavy oil feedstock itself. In yet another embodiment, the liquid medium is a hydrocarbon oil other than the heavy oil feedstock, e.g., a VGO medium or diluent.

[033] As used herein, the “catalyst feed” includes any catalyst suitable for upgrading heavy oil feed stocks, e.g., one or more bulk catalysts and / or one or more catalysts on a support. In one embodiment, the catalyst feed is in the form of a slurry catalyst.

[034] As used herein, the term “bulk catalyst” may be used interchangeably with “unsupported catalyst,” meaning that the catalyst composition is NOT of the conventional catalyst form which has, e.g., having a preformed, shaped catalyst support which is then loaded with metals via impregnation or deposition catalyst. In one embodiment, the bulk catalyst is formed through precipitation. In another embodiment, the bulk catalyst has a binder incorporated into the catalyst composition. In yet another embodiment, the bulk catalyst is formed from metal compounds and without any binder. In a fourth embodiment, the bulk catalyst is a dispersing-type catalyst for use as dispersed catalyst particles in mixture of liquid (e.g., hydrocarbon oil). In one embodiment, the catalyst comprises one or more commercially known catalysts, e.g., Microcat™ from ExxonMobil Corp.

[035] As used herein, the term “contacting zone” refers to an equipment in which the heavy oil feed is treated or upgraded by contact with a slurry catalyst feed in the presence of hydrogen. In a contacting zone, at least a property of the crude feed may be changed or upgraded. The contacting zone can be a reactor, a portion of a reactor, multiple portions of a reactor, or combinations thereof. The term “contacting zone” may be used interchangeably with “reacting zone”.

[036] In one embodiment, the upgrade process comprises a plurality of reactors, employed as contacting zones, with the reactors being the same or different in configurations. Examples of reactors that can be used herein include stacked bed reactors, fixed bed reactors, ebullating bed reactors, continuous stirred tank reactors, fluidized bed reactors, spray reactors, liquid / liquid contactors, slurry reactors, liquid recirculation reactors, and

combinations thereof. In one embodiment, the reactor is an up-flow reactor. In another embodiment, a down-flow reactor. In one embodiment, the contacting zone refers to at least a slurry-bed hydrocracking reactor in series with at least a fixed bed hydrotreating reactor. In another embodiment, at least one of the contacting zones further comprises an in-line
5 hydrotreater, capable of removing over 70% of the sulfur, over 90% of nitrogen, and over 90% of the heteroatoms in the crude product being processed.

[037] As used herein, the term “separation zone” refers to an equipment in which upgraded heavy oil feed from a contacting zone is either fed directly into, or subjected to one or more intermediate processes and then fed directly into the separation zone, e.g., a high
10 pressure high temperature flash drum or flash separator, wherein gases and volatile liquids are separated from the non-volatile fraction. In one embodiment, the non-volatile fraction stream comprises unconverted heavy oil feed, a small amount of heavier hydrocracked liquid products (synthetic or less-volatile / non-volatile upgraded products), the slurry catalyst and any entrained solids (asphaltenes, coke, etc.). In one embodiment, the separation zone
15 provides a pressure drop from one contacting zone to the next one in series. The pressure drop induces by the separation zone allows the gas and volatile liquids to be separated from the non-volatile fraction.

[038] In one embodiment, both the contacting zone and the separation zone are combined into one equipment, e.g., a reactor having an internal separator, or a multi-stage
20 reactor-separator. In this type of reactor-separator configuration, the vapor product exits the top of the equipment, and the non-volatile fractions exit the side or bottom of the equipment with the slurry catalyst and entrained solid fraction, if any.

[039] In one embodiment, the upgrade system comprises a single reactor followed by a separator. In another embodiment, the system comprises at least two upflow reactors in
25 series with at least a separator, with at least a separator being positioned right after the last reactor in series. In yet another embodiment, a plurality of reactors in series operating as a single train. In a fourth embodiment, a parallel train with a plurality of reactors. In a fifth embodiment, a plurality of reactors configured in combination of parallel and series operations. There are other embodiments wherein the upgrade system is configured for
30 flexible operation, going from one operating mode to another, e.g., running in parallel (tandem) to running in series (sequential) with different combinations of reactors / flash separators.

[040] In one embodiment, the upgrade system may comprise a combination of reactors and separators in series with multi-stage reactor-separators, with a solvent

deasphalting (SDA) unit being positioned as an interstage treatment system between any two reactors in series, or before the first reactor in the series.

[041] The upgrade system is characterized as operating in once-through mode, which differs from the upgrade system in the prior art in that slurry catalyst and heavy oil feedstock flow through the contacting zone(s) once, instead of being recycled or recirculated around the system as in the prior art. In the once-through upgrade system, virtually none of the unconverted material and slurry catalyst mixture is recycled back to the 1st (or previous) contacting zone or reactor in the series. Non-volatile materials from the last separation zone in the upgrade system, comprising unconverted materials, heavier hydrocracked liquid products (synthetic products or non-volatile / less-volatile upgraded products), slurry catalyst, small amounts of coke, asphaltenes, etc., in one embodiment are sent off-site for further processing / regeneration of the catalyst, or to a deoiling unit to separate the spent catalyst from the hydrocarbons, and subsequently to a metal recovery unit to recover precious metals from the spent catalyst.

[042] The deoiling unit and / or the metal recovery unit can be in the same location as the once-through upgrade system, or they can be in a different location from the once-through upgrade system, e.g., deoiling being handled by a different party in a different location or country, and / or metal recovery is done off-site by a contractor in a different location or country.

[043] Process Conditions: In one embodiment, the upgrade system is maintained under hydrocracking conditions, e.g., at a minimum temperature to effect hydrocracking of a heavy oil feedstock. In one embodiment, the system operates at a temperature ranging from 400°C (752°F) to 600°C (1112 °F), and a pressure ranging from 10 MPa (1450 psi) to 25 MPa (3625 psi). In one embodiment, the process condition being controlled to be more or less uniformly across the contacting zones. In another embodiment, the condition varies between the contacting zones for upgrade products with specific properties.

[044] In one embodiment, the contacting zone process temperature ranges from about 400°C (752°F) to about 600°C (1112 °F), less than 500°C (932°F) in another embodiment, and greater than 425°C. (797°F) in another embodiment. In one embodiment, the system operates with a temperature difference between the inlet and outlet of a contacting zone ranging from 5 to 50°F.

[045] The temperature of the separation zone is maintained within $\pm 90^{\circ}\text{F}$ (about $\pm 50^{\circ}\text{C}$) of the contacting zone temperature in one embodiment, within $\pm 70^{\circ}\text{F}$ (about $\pm 38.9^{\circ}\text{C}$) in a second embodiment, within $\pm 15^{\circ}\text{F}$ (about $\pm 8.3^{\circ}\text{C}$) in a third embodiment, and

within $\pm 5^{\circ}\text{F}$ (about $\pm 2.8^{\circ}\text{C}$) in a fourth embodiment. In one embodiment, the temperature difference between the last separation zone and the immediately preceding contacting zone is within $\pm 50^{\circ}\text{F}$ (about $\pm 28^{\circ}\text{C}$).

[046] The process pressure in the contacting zones ranges from about 10 MPa (1,450 psi) to about 25 MPa (3,625 psi) in one embodiment, about 15 MPa (2,175 psi) to about 20 MPa (2,900 psi) in a second embodiment, less than 22 MPa (3,190 psi) in a third embodiment, and more than 14 MPa (2,030 psi) in a fourth embodiment.

[047] The once-through upgrade system is characterized by a much higher throughput rate as compared to an upgrade system in the prior art (with recycle of unconverted heavy oil feeds). The liquid hourly space velocity (LHSV) of the heavy oil feed in each of the contacting zones will generally range from about 0.075 h^{-1} to about 2 h^{-1} in one embodiment; about 0.1 h^{-1} to about 1.5 h^{-1} in a second embodiment, about 0.15 h^{-1} to about 1.75 h^{-1} in a third embodiment, about 0.2 h^{-1} to about 1 h^{-1} in a fourth embodiment, and about 0.2 h^{-1} to about 0.5 h^{-1} in a fifth embodiment. In one embodiment, LHSV is at least 0.1 h^{-1} . In another embodiment, the LHSV is less than 0.3 h^{-1} .

[048] In one embodiment, the contacting zone comprises a single reactor or plurality of reactors in series, providing a total residence time ranging from 0.1 to 15 hours. In a second embodiment, the resident time ranges from 0.5 to 5 hrs. In a third embodiment, the total residence time in the contacting zone ranges from 0.2 to 2 hours.

[049] Minimizing Pressure Drop: In the prior art, it is disclosed that with a higher pressure drop in a heavy oil upgrade system, i.e., a pressure drop upon entering the separation zone of up to 1000 psi and preferably in the range of 300 to 700 psi, lighter boiling materials can be more easily separated / removed from the upgrade system via the separation zone. A high pressure drop can be induced with the introduction of pressure reducing devices. However, an upgrade system with a higher pressure drop is found to be operationally unstable, particularly with frequent plugging due to deposit in equipment and / or common valve operating problems including failure to open at set pressure due to plugging of the valve inlet or outlet, corrosion, or erosion of valves.

[050] In one embodiment, the once-through upgrade system is configured for optimal operation, e.g., efficiency with much less downtime due to equipment plugging compared to the prior art with less than 100 psi pressure drop. The optimal efficiency is obtained in one embodiment with minimal pressure drop in the system, wherein the pressure of the separation zone is maintained within ± 10 to ± 100 psi of the preceding contacting zone in one embodiment, within ± 20 to ± 75 psi in a second embodiment, and within ± 50

to ± 100 psi in a third embodiment. As used here, the pressure drop refers to the difference between the exit pressure of the preceding contacting zone X and the entry pressure of the separation Y, with (X-Y) being less than 100 psi.

[051] Optimal efficiency can also be obtained with minimal pressure from one contacting zone to the next contacting zone for a system operating sequentially, with the pressure drop being maintained to be 100 psi or less in one embodiment, and 75 psi or less in a second embodiment, and less than 50 psi in a third embodiment. The pressure drop herein refers to the difference between the exit pressure of one contacting zone and the entry pressure of the next contacting zone.

[052] In one embodiment, the contacting zone is in direct fluid communication to the next separation zone or contacting zone for a minimum pressure drop. As used herein, direct fluid communication means that there is free flow from the contacting zone to the next separation zone (or the next contacting zone) in series, with no flow restriction. In one embodiment, direct fluid communication is obtained with no flow restriction due to presence of valves, orifices (or a similar device), or changes in pipe diameter.

[053] In one embodiment, the minimal pressure drop from the contacting zone to the next separation zone or contacting zone (upon entering the separating zone or the contacting zone) is due to piping components, e.g., elbows, bends, tees in the line, etc., and not due to the use of pressure reducing device such as valves, control valves, etc. to induce the pressure drop as in the prior art. In the prior art, it is taught that the separation zone functions as an interstage pressure differential separator.

[054] In one embodiment, the minimal pressure drop is induced by friction loss, wall drag, volume increase, and changes in height as the effluent flows from the contacting zone to the next equipment in series. If valves are used in the once through system, the valves are selected / configured such that the pressure drop from one equipment, e.g., the contacting zone, to the next piece of equipment is kept to be at 100 psi or lower.

[055] Hydrogen Feed: In one embodiment, a hydrogen source is provided to the process. The hydrogen can also be added to the heavy oil feed prior to entering the preheater, or after the preheater. In one embodiment, the hydrogen feed enters the contacting zone co-currently with the heavy oil feed in the same conduit. In another embodiment, the hydrogen source may be added to the contacting zone in a direction that is counter to the flow of the feed. In a third embodiment, the hydrogen enters the contacting zone via a gas conduit separately from the combined heavy oil and slurry catalyst feed stream. In a fourth embodiment, the hydrogen feed is introduced directly to the combined catalyst and heavy oil

feedstock prior to being introduced into the contacting zone. In yet another embodiment, the hydrogen gas and the combined heavy oil and catalyst feed are introduced at the bottom of the reactor as separate streams. In yet another embodiment, hydrogen gas can be fed into several sections of / locations on the contacting zone.

5 [056] In one embodiment, the hydrogen source is provided to the process at a rate (based on ratio of the gaseous hydrogen source to the heavy oil feed) of $0.1 \text{ Nm}^3/\text{m}^3$ to about $100,000 \text{ Nm}^3/\text{m}^3$ (0.563 to 563,380 SCF/bbl), about $0.5 \text{ Nm}^3/\text{m}^3$ to about $10,000 \text{ Nm}^3/\text{m}^3$ (2.82 to 56,338 SCF/bbl), about $1 \text{ Nm}^3/\text{m}^3$ to about $8,000 \text{ Nm}^3/\text{m}^3$ (5.63 to 45,070 SCF/bbl), about $2 \text{ Nm}^3/\text{m}^3$ to about $5,000 \text{ Nm}^3/\text{m}^3$ (11.27 to 28,169 SCF/bbl), about $5 \text{ Nm}^3/\text{m}^3$ to about $3,000 \text{ Nm}^3/\text{m}^3$ (28.2 to 16,901 SCF/bbl), or about $10 \text{ Nm}^3/\text{m}^3$ to about $800 \text{ Nm}^3/\text{m}^3$ (56.3 to 4,507 SCF/bbl).

[057] In one embodiment, some of the hydrogen (25 -75%) is supplied to the first contacting zone, and the rest is added as supplemental hydrogen to other contacting zones in the system.

15 [058] The hydrogen source, in some embodiments, is combined with carrier gas(es) and recirculated through the contacting zone. Carrier gas may be, for example, nitrogen, helium, and/or argon. The carrier gas may facilitate flow of the heavy oil feed and/or flow of the hydrogen source in the contacting zone(s). The carrier gas may also enhance mixing in the contacting zone(s). In some embodiments, a hydrogen source (for example, hydrogen, methane or ethane) may be used as a carrier gas and recirculated through the contacting zone.

[059] Catalyst Feed: In one embodiment for an upgrade system running in sequential mode, all of the slurry catalyst feed is provided to the first contacting zone. In other embodiments of the sequential mode, at least a portion of the catalyst feed is “split” or diverted to at least one other contacting zones in the system (other than the first contacting zone). In another embodiment with the contacting zones running in tandem (parallel), all the contacting zones in operation receive a slurry catalyst feed (along with a heavy oil feed).

[060] In one embodiment, “at least a portion” means at least 10% of the catalyst feed. In another embodiment, at least 20%. In a third embodiment, at least 40%. In a fourth embodiment, at least 50% of the catalyst feed is diverted to at least a contacting zone other than the first one.

[061] In one embodiment of a sequential operation, less than 60% of the catalyst feed is fed to the first contacting zone in the system, with 40% or more of the fresh catalyst being diverted to the other contacting zone(s) in the system. In another embodiment, the catalyst feed is being equally split between the contacting zones in the system. In one

embodiment, at least a portion of the fresh catalyst feed is sent to at least one of the intermediate contacting zones and / or the last contacting zone in the system.

[062] In yet another embodiment, the process is configured for a flexible catalyst feed scheme such that the catalyst feed can sometimes be fed at full rate (100% of the required catalyst rate) to the first reactor in the system for a certain period of time, then split
5 equally or according to pre-determined proportions to all of the reactors in the system for a pre-determined amount of time, or split according to pre-determined proportions for the catalyst feed to be fed to the different reactors at different concentrations.

[063] The slurry catalyst feed used herein may comprise one or more different slurry
10 catalysts as a single catalyst feed stream or separate feed streams. In one embodiment, a single fresh catalyst feed stream is supplied to the contacting zones. In another embodiment, the fresh catalyst feed comprises multiple and different catalyst types, with a certain catalyst type going to one or more contacting zones (e.g., the first contacting zone in the system) as a separate stream, and a different slurry catalyst going to contacting zone(s) other than the 1st
15 contacting zone in the system as a different catalyst stream.

[064] In one embodiment, sending different catalysts to the front end and back end contacting zones can be useful in mitigating the vanadium trapping issue and sustain the overall upgrade performance. In one embodiment, a Ni-only or a NiMo sulfide slurry catalyst rich in Ni is sent to the front end reactor to help reduce vanadium trapping in the
20 system, while a different catalyst, e.g., Mo sulfide or a NiMo sulfide catalyst rich in Mo, can be injected into the back end reactor(s) to maintain an overall high conversion rate, improve product quality and possibly reduce the gas yield in one embodiment. As used herein, a slurry catalyst rich in Ni means that the Ni / Mo ratio is greater than 0.15 (as wt. %)
Conversely, a slurry catalyst rich in Mo means that the Ni / Mo ratio is less than 0.05
25 (as wt. %).

[065] In one embodiment, the slurry catalyst feed is first preconditioned before entering one of the contacting zones, or before being brought into contact with the heavy oil feed before entering the contacting zones. In one example, the catalyst enters into a preconditioning unit along with hydrogen at a rate from 500 to 7500 SCF / BBL (BBL here
30 refers to the total volume of heavy oil feed to the system). It is believed that instead of bringing a cold catalyst in contact with the heavy oil feed, the preconditioning step helps with the hydrogen adsorption into the active catalyst sites, and ultimately the conversion rate. In one embodiment in the precondition unit, the slurry catalyst / hydrogen mixture is heated to a temperature between 300°F to 1000°F (149 to 538°C). In another embodiment, the catalyst is

preconditioned in hydrogen at a temperature of 500 to 725 °F (260 to 385°C.) . In yet another embodiment, the mixture is heated under a pressure of 300 to 3200 psi in one embodiment; 500 – 3000 psi in a second embodiment; and 600 - 2500 psi in a third embodiment.

5 [066] Slurry Catalysts Employed: The slurry catalyst comprises an active catalyst in a hydrocarbon oil diluent. In one embodiment, the catalyst is a sulfided catalyst comprising at least a Group VIB metal, or at least a Group VIII metal, or at least a group IIB metal, e.g., a ferric sulfide catalyst, zinc sulfide, nickel sulfide, molybdenum sulfide, or an iron zinc sulfide catalyst. In another embodiment, the catalyst is a multi-metallic catalyst
10 comprising at least a Group VIB metal and at least a Group VIII metal (as a promoter), wherein the metals may be in elemental form or in the form of a compound of the metal. In one example, the catalyst is a MoS₂ catalyst promoted with at least a group VIII metal compound.

[067] In one embodiment, the catalyst is a bulk multi-metallic catalyst comprising at
15 least one Group VIII non-noble metal and at least two Group VIB metals, and wherein the ratio of the at least two Group VIB metals to the Group VIII non-noble metal is from about 10:1 to about 1:10. In another embodiment, the catalyst is of the formula $(M^t)_a(X^u)_b(S^v)_d(C^w)_e(H^x)_f(O^y)_g(N^z)_h$, wherein M represents at least one group VIB metal, such as Mo, W, etc. or a combination thereof; and X functions as a promoter metal, representing at
20 least one of: a non-noble Group VIII metal such as Ni, Co; a Group VIII metal such as Fe; a Group VIB metal such as Cr; a Group IVB metal such as Ti; a Group IIB metal such as Zn, and combinations thereof (X is hereinafter referred to as “Promoter Metal”). Also in the equation, t, u, v, w, x, y, z representing the total charge for each of the component (M, X, S, C, H, O and N, respectively); $ta+ub+vd+we+xf+yg+zh=0$. The subscripts ratio of b to a has
25 a value of 0 to 5 ($0 \leq b/a \leq 5$). S represents sulfur with the value of the subscript d ranging from $(a + 0.5b)$ to $(5a + 2b)$. C represents carbon with subscript e having a value of 0 to $11(a+b)$. H is hydrogen with the value of f ranging from 0 to $7(a+b)$. O represents oxygen with the value of g ranging from 0 to $5(a + b)$; and N represents nitrogen with h having a value of 0 to $0.5(a + b)$. In one embodiment, subscript b has a value of 0, for a
30 single metallic component catalyst, e.g., Mo only catalyst (no promoter).

[068] In one embodiment, the catalyst is prepared from catalyst precursor compositions including organometallic complexes or compounds, e.g., oil soluble compounds or complexes of transition metals and organic acids. Examples of such compounds include naphthenates, pentanedionates, octoates, and acetates of Group VIB and Group VIII metals

such as Mo, Co, W, etc. such as molybdenum naphthanate, vanadium naphthanate, vanadium octoate, molybdenum hexacarbonyl, and vanadium hexacarbonyl.

[069] In one embodiment, the slurry catalyst has an average particle size of at least 1 micron. In another embodiment, the slurry catalyst has an average particle size in the range of 1 – 20 microns. In a third embodiment, the slurry catalyst has an average particle size in the range of 2 – 10 microns. In one embodiment, the slurry catalyst particle comprises aggregates of catalyst molecules and/or extremely small particles that are colloidal in size (e.g., less than 100 nm, less than about 10 nm, less than about 5 nm, and less than about 1 nm). In yet another embodiment, the catalyst particle comprises aggregates of single layer MoS₂ clusters of nanometer sizes, e.g., 5-10 nm on edge. In operations, the colloidal / nanometer sized particles aggregate in a hydrocarbon diluent, forming a slurry catalyst with an average particle size in the range of 1-20 microns.

[070] In one embodiment, a sufficient amount of slurry catalyst is fed to the contacting zone(s) for each contacting zone to have a slurry (solid) catalyst concentration of at least 500 wppm to 3 wt.% (catalyst metal to heavy oil ratio).

[071] In one embodiment for a conversion of at least 75% from heavy oil feedstock to less than 1000° F (538°C) boiling point materials at a high through put of at least 0.15 LHSV, the amount of catalyst feed into the contacting zone(s) ranges from 500 to 7500 wppm of the catalyst metal in heavy oil feed. In a second embodiment, the concentration of the fresh catalyst feed ranges from 750 to 5000 wppm catalyst metal. In a third embodiment, from 1000 to 3000 wppm. In a fourth embodiment, the concentration is less than 3000 wppm. In a fifth embodiment, the concentration is at least 1200 ppm. Catalyst metal refers to the active metal in the catalyst, e.g., for a NiMo sulfide slurry catalyst in which Ni is used as a promoter, the catalyst metal herein refers to the Mo concentration.

[072] It is conceivable to use less catalyst for the upgrade system, e.g., less than 500 ppm or even less than 200 ppm or 100 ppm. However, this will result in very poor / undesirable conversion rate of less than 50% in one embodiment, and even less than 10% in a second embodiment. The low catalyst level further results in unstable operations, e.g., letdown, coking, plugging, etc. with unconverted heavy oil in the equipment, particularly the reactors.

[073] Optional Treatment System - SDA: In one embodiment, a solvent deasphalting unit (SDA) is employed before the first contacting zone to pre-treat the heavy oil feedstock. In yet another embodiment, the SDA is employed as an intermediate unit located after one of the intermediate separation zones. SDA units are typically used in

refineries to extract incremental lighter hydrocarbons from a heavy hydrocarbon stream, whereby the extracted oil is typically called deasphalted oil (DAO), while leaving a residue stream behind that is more concentrated in heavy molecules and heteroatoms, typically known as SDA Tar, SDA Bottoms, etc. The SDA can be a separate unit or a unit integrated
5 into the upgrade system.

[074] Various solvents may be used in the SDA, ranging from propanes to hexanes, depending on the desired level of deasphalting prior to feeding the contact zone. In one embodiment, the SDA is configured to produce a deasphalted oil (DAO) for blending with the catalyst feed or feeding directly into the contacting zones instead of, or in addition to the
10 heavy oil feed. As such, the solvent type and operating conditions can be optimized such that a high volume and acceptable quality DAO is produced and fed to the contacting zone. In this embodiment, a suitable solvent to be used includes, but not limited to hexane or similar C6+ solvent for a low volume SDA Tar and high volume DAO. This scheme would allow for the vast majority of the heavy oil feed to be upgraded in the subsequent contacting
15 zone, while the very heaviest, bottom of the barrel bottoms that does not yield favorable incremental conversion economics due to the massive hydrogen addition requirement, to be used in some other manner.

[075] In one embodiment, all of the heavy oil feed is pre-treated in the SDA and the DAO product is fed into the first contacting zone, or fed according to a split feed scheme with
20 at least a portion going to a contacting zone other than the first in the series. In another embodiment, some of the heavy oil feed (depending on the source) is first pre-treated in the SDA and some of the feedstock is fed directly into the contacting zone(s) untreated. In yet another embodiment, the DAO is combined with the untreated heavy oil feedstock as one feed stream to the contacting zone(s). In another embodiment, the DAO and the untreated
25 heavy oil feedstock are fed to the system as in separate feed conduits, with the DAO going to one or more of the contacting zones and the untreated heavy oil feed going to one or more of the same or different contacting zones.

[076] In an embodiment wherein the SDA is employed as an intermediate unit, the non-volatile fraction comprising the slurry catalyst and optionally minimum quantities of
30 coke / asphaltenes, etc. from at least one of the separation zones is sent to the SDA for treatment. From the SDA unit, the DAO is sent to at least one of the contacting zones as a feed stream by itself, in combination with a heavy oil feedstock as a feed, or in combination with the bottom stream from one of the separation zones as a feed. The DAO Bottoms comprising asphaltenes are sent away to recover metal in any carry-over slurry catalyst, or for

applications requiring asphaltenes, e.g., blended to fuel oil, used in asphalt, or utilized in some other applications.

[077] In one embodiment, the quality of the DAO and DAO Bottoms is varied by adjusting the solvent used and the desired recovery of DAO relative to the heavy oil feed. In an optional pretreatment unit such as the SDA, the more DAO oil that is recovered, the poorer the overall quality of the DAO, and the poorer the overall quality of the DAO Bottoms. With respect to the solvent selection, typically, as a lighter solvent is used for the SDA, less DAO will be produced, but the quality will be better, whereas if a heavier solvent is used, more DAO will be produced, but the quality will be lower. This is due to, among other factors, the solubility of the asphaltenes and other heavy molecules in the solvent.

[078] Heavy Oil Feed: The heavy oil feed here herein may comprise one or more different heavy oil feeds from different sources as a single feed stream, or as separate heavy oil feed streams. In one embodiment, a single heavy oil conduit pipe goes to all the contacting zones. In another embodiment, multiple heavy oil conduits are employed to supply the heavy oil feed to the different contacting zones, with some heavy oil feed stream(s) going to one or more contacting zones, and other heavy oil feed stream(s) going to one or more different contacting zones.

[079] In some embodiments, at least a portion of the heavy oil feed (to be upgraded) is “split” or diverted to at least one other contacting zones (other than the first contacting zone), or to a SDA unit prior to being fed into a contacting zone. In one embodiment of a sequential operation, less than 90% of the unconverted heavy oil feed is fed to the first reactor in the system, with 10% or more of the unconverted heavy oil feed being diverted to the other contacting zone(s) in the system. In another embodiment of a tandem operation, the heavy oil feed is being equally split between the contacting zones in the system. In yet another embodiment, less than 80% of the unconverted heavy oil feed is fed to the first contacting zone in the system, and the remaining heavy oil feed is diverted to the last contacting zone in the system. In a fourth embodiment, less than 60% of the heavy oil feed is fed to the first contacting zone in the system, and the remainder of the unconverted heavy oil feed is equally split between the other contacting zones in the system.

[080] In one embodiment, the heavy oil feedstock is preheated prior to being blended with the slurry catalyst feed stream(s). In another embodiment, the blend of heavy oil feedstock and slurry catalyst feed is preheated to create a feedstock that is sufficiently of low viscosity to allow good mixing of the catalyst into the feedstock. In one embodiment, the preheating is conducted at a temperature that is at least about 100°C (212°F) less than the

hydrocracking temperature within the contacting zone. In another embodiment, the preheating is at a temperature that is about at least 50°C less than the hydrocracking temperature within the contacting zone. In a third embodiment, the preheating of the heavy oil feedstock and / or a mixture of heavy oil feedstock and slurry catalyst is at a temperature
5 of 500 – 700°F (260 – 371°C).

[081] Optional Additive - Anti-foam Injection: As used herein, the front-end contacting zone (or the first contacting zone) means the 1st reactor in a sequential operation with a plurality of contacting zones. In one embodiment of a system with at least three contacting zones, the first front-end contacting zone may include both first and second
10 reactors. In one embodiment, at least an anti-foam agent is injected to at least a contacting zone in the system to minimize the amount of foam and enable full utilization of the reaction zone. As used herein, the term anti-foam includes both anti-foam and defoamer materials, for preventing foam from happening and / or reducing the extent of foaming. Additionally, some anti-foam material may have both functions, e.g., reducing / mitigating foaming under
15 certain conditions, and preventing foam from happening under other operating conditions.

[082] Anti-foam agents can be selected from a wide range of commercially available products such as the silicones, e.g., polydimethyl siloxane (PDMS), polydiphenyl siloxane, fluorinated siloxane, etc., in an amount of 1 to 500 ppm of the heavy oil feedstock. In one embodiment, a high molecular PDMS is used, e.g., with a viscosity of over 60,000 cSt in one
20 embodiment, over 100,000 cSt in another embodiment, and over 600,000 cSt in a third embodiment. It is believed that a higher viscosity (higher molecular weight) anti-foam agent decomposes more slowly and less prone to catalyst poisoning due to Si contamination.

[083] In one embodiment, the anti-foam agent is added to a hydrocarbon solvent such as kerosene, which reduces the viscosity of the anti-foam and makes it pumpable. In
25 one embodiment, the ratio of anti-foam to solvent ranges from 1:1 to 1:1000. In another embodiment, from 1:2 to 1:100. In a third embodiment, from 1:3 to 1:50. In one embodiment, the anti-foam agent is diluted in a sufficient amount of hydrocarbon solvent for it to have a viscosity of less than 1000 cSt, so it can be handled using standard equipment.

[084] In one embodiment, the anti-foam is added directly to the heavy oil feedstock.
30 In another embodiment, the mixture is injected into multiple points along an upflow reactor. In yet another embodiment, the anti-foam solvent mixture is injected to the top of the upflow reactor. In a fourth embodiment, the injection is into a region within the upper 30% of the reactor height. The injection of the anti-foam into the top of the reactor in one embodiment increases the liquid back mixing in the reactor.

[085] Optional Additives - Inhibitors / Stabilizers / Sacrificial Materials: In one embodiment, in addition to or in place of the anti-foam agents, at least an additive selected from inhibitors, stabilizers, metal scavengers, metal contaminant removers, metal passivators, and sacrificial materials is added to the contacting zone in an amount ranging from 1 to 5 20,000 ppm of the heavy oil feed (collectively, "additive material"). In a second embodiment, the additive material is added in an amount of less than 10,000 ppm. In a third embodiment, the additive material ranges from 50 to 1000 ppm.

[086] It should be noted that some additives may have multiple functions. In one embodiment, some metal scavengers may also function as metal contaminant removers and / 10 or metal passivators under the appropriate conditions. In another embodiment, the sacrificial material used may function as a metal scavenger for adsorbing heavy metals in the heavy oil feed. Some other sacrificial materials, besides functioning as a metal scavenger for absorbing metals, also absorb or trap other materials including deposited coke.

[087] In one embodiment, the additive material is added directly to the heavy oil 15 feedstock. In another embodiment, the additive material is added to the slurry catalyst feed. In a third embodiment, the additive material is added to the contacting zone as a separate feed stream.

[088] In one embodiment, the additive material can be added as is, or in a suitable diluent or carrier solvent. Exemplary carrier solvents include but are not limited to aromatic 20 hydrocarbon solvents such as toluene, xylene, and crude oil derived aromatic distillates. Exemplary diluents include vacuum gas oil, diesel, decant oil, cycle oil, and or light gas oil. In some embodiments, the additive material may be dispersed in a small portion of the heavy oil feedstock.

[089] In one embodiment, the additive material is injected into the top section of the 25 reactor. In another embodiment, the additive material is injected into a plurality of feed ports along an upflow reactor.

[090] In one embodiment, the additive material is selected to effect a good emulsification or dispersion of the asphaltenes in the heavy oil. In yet another embodiment, the additive is selected to increase storage stability and or improved pumpability of the heavy 30 oil feedstock. In yet another embodiment, the additive is a stabilizer compound containing polar bonds such as acetone, diethyl ketone, and nitrobenze, added in an amount between 0.001 to 0.01 wt. % of the heavy oil feed.

[091] In one embodiment, the additive material is an inhibitor additive, selected from the group of oil soluble polynuclear aromatic compounds, elastic modulus lowering

agents, e.g., organic and inorganic acids and bases and metallo-porphyrins. In another embodiment, the additive is a selected alkoxyated fatty amine or fatty amine derivative and a special metal salt compound, e.g., a metal soap.

[092] In one embodiment, the additive material is a “sacrificial material” (or “trapping material”) which functions to trap, or for the deposit of, and / or immobilization of deposited coke and / or metals (Ni, V, Fe, Na) in the heavy oil feed, mitigating the detrimental effects on these materials on the catalyst and / or equipment. In another embodiment, the additive material functions to immobilize / adsorb the asphaltenes in the heavy oil feedstock, thus mitigating catalyst deactivation. In one embodiment, the sacrificial material has large pores, e.g, having a BET surface area of at least $1 \text{ m}^2/\text{g}$ in one embodiment, at least $10 \text{ m}^2/\text{g}$ in a second embodiment, and at least $25 \text{ m}^2/\text{g}$ in another embodiment. In yet another embodiment, the additive material is a sacrificial material having a pore volume of at least $0.005 \text{ cm}^3/\text{g}$. In a second embodiment, a pore volume of at least $0.05 \text{ cm}^3/\text{g}$. In a third embodiment, a total pore volume of at least $0.1 \text{ cm}^3/\text{g}$. In a fourth embodiment, a pore volume of at least $0.1 \text{ cm}^3/\text{g}$. In one embodiment, the sacrificial material has a pore volume of at least $0.5 \text{ cm}^3/\text{g}$. In another embodiment, at least $1 \text{ cm}^3/\text{g}$.

[093] In one embodiment, the sacrificial material comprises a large pore inert material such microspheres of calcined kaolin clay. In another embodiment, the sacrificial material is characterized by having at least 20% of its pore volume constituted by pores of at least 100 Angstrom; and 150-600 Angstrom in a second embodiment.

[094] Examples of additive materials for use in trapping deposits/ metal scavenging include but are not limited to silicate compounds such as Mg_2SiO_4 and Fe_2SiO_4 ; inorganic oxides such as iron oxide compounds, e.g., $\text{FeO}\cdot\text{Fe}_2\text{O}_3$, FeO , Fe_3O_4 , Fe_2O_3 , etc. Other examples of additive materials include silicate compounds such as fume silica, Al_2O_3 , MgO , MgAl_2O_4 , zeolites, microspheres of calcined kaolin clay, titania, active carbon, carbon black, and combinations thereof. Examples of metal passivators include but are not limited to alkaline earth metal compounds, antimony, and bismuth.

[095] In one embodiment, the additive material is a commercially available metal scavenger from sources such as Degussa, Albermale, Phosponics, and Polysciences. In one embodiment, the metal scavenger is a macroporous organofunction polysiloxane from Degussa under the tradename DELOXANE™.

[096] In one embodiment, the scavenger / trapping / scavenger material originates from a slurry catalyst, specifically, a spent slurry catalyst in a dry powder form. In one embodiment, the spent slurry catalyst is from a heavy oil upgrade system having at least 75%

of the heavy oil removed using means known in the art, e.g., deoiling via membrane filtration, solvent extraction, and the like. The spent slurry catalyst for use as a sacrificial material in one embodiment has a BET surface area of at least $1 \text{ m}^2/\text{g}$ for the trapping of coke / metals that would otherwise deposit along the reactor internals. In a second embodiment, 5 the spent slurry catalyst has a BET surface area of at least $10 \text{ m}^2/\text{g}$. In a third embodiment, the BET surface area is greater than $100 \text{ m}^2/\text{g}$.

[097] In one embodiment, the additive is a scavenger / trapping / scavenger material originated from a spent deoiled slurry catalyst, wherein some or most of the metals have been removed. In one embodiment, the additive is in the form of dried spent slurry catalyst 10 having at least some or most of the metals such as nickel, molybdenum, cobalt, etc., removed from the spent catalyst. In one embodiment, the sacrificial material is in the form of solid residue comprising coke and some group VB metal complex, such as ammonium metavanadate, which residue is obtained after most of the metals such as molybdenum and nickel have been removed in a pressure leaching process. In yet another embodiment, the 15 sacrificial material is in the form of solid residue comprising primarily coke, with very little vanadium left (in the form of ammonium metavanadate).

[098] In another embodiment, the sacrificial material is carbon black which is selected due to its high surface area, various pore size structure, and easy recovery / separation from heavy metals by combustion. Furthermore, the carbon material is relatively 20 soft, thus minimizing damage on let down valves and other plant materials. In one embodiment, the carbon material can be any generally commonly known and commercially available material. Examples include but are not limited to porous particulate carbon solid characterized by a size distribution ranging from 1 to 100 microns and a BET surface area ranging from 10 to over $2,000 \text{ m}^2/\text{g}$. In one embodiment, the carbon material has an 25 average particle size ranging from 1 to 50 microns and a BET surface area from about 90 to about $1,500 \text{ m}^2/\text{g}$. In another embodiment, the carbon material has an average particle size ranging from 10 to 30 microns. Optionally, the catalyst material can be pretreated by one or more techniques as generally known in the art such calcination and / or impregnating first with the slurry catalyst prior to being fed into the upgrade system and / or mixed with the 30 heavy oil feedstock.

[099] In one embodiment, the additive material comprises activated carbon having large surface area, e.g., a pore area of at least $100 \text{ m}^2/\text{g}$, and a pore diameter range between 100 to 400 Angstrom. In one embodiment, the additive material is a commercially available powdered activated carbon from Norit as DARCO KB-G™ with a D-90 of 40 microns. In

another embodiment, the commercially available carbon material is DARCO INSUL™ with a D-90 of 23 microns. In yet another embodiment, the additive material comprises carbon black obtained by the coking of spent slurry catalyst in heavy oil residual from a metal recovery process to recover / separate metals from a spent slurry catalyst.

5 [0100] In one embodiment, the additive material serves a plurality of function, e.g., deposit trapping / metal scavenging and anti-foaming, deposit trapping / metal scavenging and mesophases suppressing, etc., with the use of a surface treated sacrificial material. In one embodiment, the sacrificial material is surface treated (or coated) with at least an additive material such as an inhibitor and / or an anti-foam agent.

10 [0101] In one embodiment, the additive material is surface-modified carbon black. In one embodiment, the surface treated carbon black contains reactive function groups on the surface that provide the anti-foam properties, and with the requisite surface area and pore size structure to trap and / or immobilize deposited coke and / or metals (Ni, V, Fe, Na) in the heavy oil feed. In one embodiment, the additive is a surface-treated carbon black, with the
15 carbon having been brought into contact with a heavy oil additive, e.g., a silicone compound such as dialkyl siloxane polymers, polydimethyl siloxane, polydiphenyl siloxane, polydiphenyl dimethyl siloxane, fluorinated siloxanes, and mixtures thereof.

[0102] In another embodiment, the multi-function additive is a sacrificial material surface treated with oil-soluble metal compounds such as carboxylic acids and salts of
20 carboxylic acids, oil soluble polynuclear aromatic compounds, elastic modulus lowering agents, and other additive materials known in the art.

[0103] In yet another embodiment, anti-foam agents, e.g., silicone compounds, hydrocarbon-based anti-foam agents, are sprayed onto a carrier such as carbon black, titania, etc., one after another to generate a multi-function surface treated additive for use in the
25 upgrade system.

[0104] Optional Water Injection - Controlling Heavy Metal Deposit: As used herein, the front-end contacting zone (or the first contacting zone) means the 1st reactor in a system with a plurality of contacting zones operating in sequential mode (series). In one embodiment of a system with at least three contacting zones, the first front-end contacting
30 zone may include both first and second reactors. In another embodiment, the first contacting zone means the 1st reactor only.

[0105] As used herein, the term “water” is used to indicate either water and / or steam.

[0106] In one embodiment to control heavy metal deposit, water is optionally injected into the once-through upgrade system at a rate of about 1 to 25 wt. % (relative to the heavy oil feedstock). In one embodiment, a sufficient amount of water is injected for a water concentration in the system in the range of 2 to 15 wt. %. In a third embodiment, a sufficient amount is injected for a water concentration in the range of 4 to 10 wt. %.

[0107] The water can be added (injected) continually or intermittently as needed to control heavy metal deposit and / or improve the activity of the catalyst. The water can be added to the heavy oil feedstock before or after preheating. In one embodiment, a substantial amount of water is added to the heavy oil feedstock admixture that is to be preheated, and a substantial amount of water is added directly to the front end contacting zone(s). In another embodiment, water is added to the front-end contacting zone(s) via the heavy oil feedstock only. In yet another embodiment, at least 50% of the water is added to the heavy oil feedstock mixture to be heated, and the rest of the water is added directly to the front end contacting zone(s).

[0108] In one embodiment, water is introduced to the system as part of the slurry catalyst feed. In one embodiment, water is added to the slurry catalyst feed and pre-conditioned along with the slurry catalyst and hydrogen, prior to being fed to the system along with the heavy oil feed, or as a separate feed stream.

[0109] In one embodiment, the water introduced into the system at the preheating stage (prior to the preheating of the heavy oil feedstock), in an amount of about 1 to about 25 wt. % of the incoming heavy oil feedstock. In one embodiment, water is added to as part of the heavy oil feed to all of the contacting zones. In another embodiment, water is added to the heavy oil feed to the first contacting zone only. In yet another embodiment, water is added to the feed to the first two contacting zones only.

[0110] In one embodiment, water is added directly into the contacting zone at multiple points along the contacting zone, in ratio of 1 to 25 wt. % of the heavy oil feedstock. In yet another embodiment, water is added directly into the first few contacting zones in the process which are the most prone to deposits of heavy metals.

[0111] In one embodiment, some of the water is added to the process in the form of dilution steam. In one embodiment, at least 30% of the water added is in the form of steam. In the embodiments where water is added as dilution steam, the steam may be added at any point in the process. For example, it may be added to the heavy oil feedstock before or after preheating, to the catalyst / heavy oil mixture stream, and / or directly into the vapor phase of the contacting zones, or at multiple points along the first contacting zone. The dilution steam

stream may comprise process steam or clean steam. The steam may be heated or superheated in a furnace prior to being fed into the upgrade process.

[0112] It is believed that the presence of the water in the process favorably alter the metallic compound sulfur molecular equilibrium, thus reducing the heavy metal deposit.

5 The water / steam in the first contacting zone is expected to cut down on the heavy metal deposits onto the equipment. In one embodiment, the addition of water is also believed to help control / maintain a desired temperature profile in the contacting zones. In yet another embodiment, it is believed that the addition of water to the front end contacting zone(s) lowers the temperature of the reactor(s). The temperature of the first contacting zone can be
10 kept at least 5 – 25 degrees (Fahrenheit) lower than the temperature of the next contacting zone in series.

[0113] As the reactor temperature is lowered, it is believed that the rate of reaction of the most reactive vanadium species slows down, allowing vanadium deposition onto the slurry catalyst to proceed in a more controlled manner and for the catalyst to carry the
15 vanadium deposits out of the reactor thus limiting the solid deposit in the reactor equipment.

[0114] In one embodiment, the addition of water reduces the heavy metal deposits in the reactor equipment at least 25% compared to an operation without the addition of water, for a comparable period of time in operation, e.g., for at least 2 months. In another embodiment, the addition of water reduces heavy metal deposits at least 50% compared to an
20 operation without the water addition. In a third embodiment, the addition of water reduces heavy metal deposits at least 75% compared to an operation without the water addition.

[0115] Optional Additional Hydrocarbon Feed: In one embodiment, additional hydrocarbon oil feed, e.g., VGO (vacuum gas oil), naphtha, MCO (medium cycle oil), light cycle oil (LCO), heavy cycle oil (HCO), solvent donor, or other aromatic solvents, etc. in an
25 amount ranging from 2 to 40 wt. % of the heavy oil feed, can be optionally added as part of the heavy oil feed stream to any of the contacting zones in the system. In one embodiment, the additional hydrocarbon feed functions as a diluent to lower the viscosity of the heavy oil feed.

[0116] Controlling Heavy Metal Deposit with Reactor Temperature: In one
30 embodiment, instead of and / or in addition to the addition of water to the front end contacting zone(s) in a sequential operation, the temperature of the front end contacting zone(s) most prone to heavy metal deposits is lowered.

[0117] In one embodiment, the temperature of the first reactor is set to be at least 10°F. (5.56°C.) lower than the next reactor in series. In a second embodiment, the first

reactor temperature is set to be at least 15°F. (8.33°C.) than the next reactor in series. In a third embodiment, the temperature is set to be at least 20°F. (11.11°C.) lower. In a fourth embodiment, the temperature is set to be at least 25°F. (13.89°C.) lower than the next reactor in series.

5 [0118] System Performance: In one embodiment of the once-through upgrade system and at a catalyst concentration substantially lower than in a prior art process with a recycle stream, e.g., at a concentration of less than 5000 wppm catalyst metal, at least 75 wt % of heavy oil feed is converted to lighter products in a high through-put one pass process (only one reactor is employed or multiple reactors are run in tandem / parallel). In another
10 embodiment, a conversion rate of at least 80% is obtained with a slurry catalyst concentration in the range of 750 - 4000 wppm catalyst metal in a process with two reactors running in sequential mode. In a third embodiment, a conversion rate of at least 80% with a catalyst concentration in the range of 750 - 2500 wppm and a high heavy oil through-put of 0.15 LHSV. In a fourth embodiment, a concentration in the range of 1000 - 1500 wppm catalyst
15 metal. In one embodiment with three reactors in series, it was surprisingly found that the conversion rate was equal or better for the once-through upgrade system with substantially less catalyst concentration (e.g., 2500 ppm) than a system in the prior art with recycle and higher catalyst concentration (e.g., 4200 ppm). As used herein, conversion rate refers to the conversion of heavy oil feedstock to less than 1000°F. (538°C) boiling point materials.

20 [0119] In one embodiment, at least 98% of heavy oil feed is converted to lighter products with less than 5000 wppm catalyst metal in a process with three reactors in series and no recycle. In another embodiment, the conversion rate is at least 98% with less than 2500 wppm catalyst metal. In yet another embodiment, the conversion rate is at least 80% with a slurry catalyst having a concentration of 1500 - 5000 wppm catalyst metal. In a
25 fourth embodiment, the conversion rate is at least 95% with a slurry catalyst having a concentration of 1500 - 5000 wppm catalyst metal.

 [0120] In one embodiment, the once-through upgrade system provides a sulfur conversion rate of at least 60%, a nitrogen conversion of at least 20%, and MCR conversion of at least 50% for a slurry catalyst concentration in the range of 750 – 5000 wppm catalyst
30 metal.

 [0121] In one embodiment, the once-through upgrade system produces a volume yield over 100% (compared to the heavy oil input) in upgraded products as added hydrogen expands the heavy oil total volume. The upgraded products, e.g., lower boiling hydrocarbons, in one embodiment include liquefied petroleum gas (LPG), gasoline, diesel,

vacuum gas oil (VGO), and jet and fuel oils. In a second embodiment, the upgrade system provides a volume yield of at least 110% in the form of LPG, naphtha, jet & fuel oils, and VGO. In a third embodiment, a volume yield of at least 115%.

[0122] Depending on the conditions and location of the separation zone, in one embodiment, the amount of heavier hydrocracked products in the non-volatile fraction stream is less than 50 wt. % (of the total weight of the non-volatile stream). In a second embodiment, the amount of heavier hydrocracked products in the non-volatile stream from the separation zone is less than 25 wt. %. In a third embodiment, the amount of heavier hydrocracked products in the non-volatile stream from the separation zone is less than 15 wt. %.

The amount of solids in the residue stream varies depending on the conversion level as well as optional additive materials employed, if any, e.g., sacrificial materials. In one embodiment, the solid level in the residue stream ranges from 1 to 10% solid in one embodiment, 2-5% solid in another embodiment, less than 30 wt. % solid in a third embodiment, and less than 40 wt. % solid in a fourth embodiment.

[0123] Figures Illustrating Embodiments: Reference will be made to the figures to further illustrate embodiments of the invention.

[0124] Figure 1 is a block diagram schematically illustrating an upgrade system **110** for upgrading heavy oil feedstock employing a slurry catalyst in once-through mode. First, a heavy oil feedstock **104** is introduced into the first contacting zone **120** in the system together with a slurry catalyst feed **110**. In the figure, the heavy oil feedstock **104** can be preheated in a heater (not shown) prior to feeding into the contacting zone. Hydrogen **121** may be introduced together with the heavy oil / slurry catalyst feed in the same conduit **122** as shown, or optionally, as a separate feed stream. Although not shown, water and / or steam may be introduced together with the feed and slurry catalyst in the same conduit or a separate feed stream. Additionally, the mixture of water, heavy oil feed, and slurry catalyst can be preheated in a heater prior to feeding into the contacting zone. Additional hydrocarbon oil feed **105**, e.g., VGO, naphtha, in an amount ranging from 2 to 30 wt. % of the heavy oil feed can be optionally added as part of the feed stream to any of the contacting zones in the system. In one embodiment, more than half of the heavy oil feed is converted in the first contacting zone and at least 25% of the hydrogen feed is consumed in the first contacting zone.

[0125] Effluent stream **123** comprising upgraded material, spent slurry catalyst, and unconverted heavy oil feed, hydrogen, etc., is withdrawn from the 1st contacting zone **120** and sent to separation zone **130**, e.g., a hot separator.

[0126] The separation zone **130** causes or allows the separation of gas and volatile liquids from the non-volatile fractions. In one embodiment, the gaseous and volatile liquid fractions **131** are withdrawn from the top of the separation zone and taken for further processing in a lean contactor or a downstream process **160**. The bottom stream **133** comprising slurry catalyst and entrained solids, coke, unconverted heavy oil feedstock, hydrocarbons newly generated in the hot separator, etc., are withdrawn and fed to the next contacting zone **140** in the series, resulting in additional reaction for more upgraded material. In another embodiment (not shown), the effluent stream **123** bypasses the separation zone **130** and is sent directly to the next contacting zone **140** in series.

[0127] In one embodiment, additional portions of the fresh catalyst feed **110** and heavy oil feedstock **104** are fed directly into the contacting zone **140** in series as separate streams or a combined feed stream. In yet another embodiment, optional hydrocarbon oil feedstock **105** such as VGO (vacuum gas oil) is also fed into next contacting zone **140**. In one embodiment (not shown), water and / or steam is also provided to the contacting zone **140** as a separate feed stream, or introduced together with the feed and slurry catalyst in the same conduit. Hydrogen **141** may be introduced together with the feed in the same conduit, or optionally, as a separate feed stream. In yet another embodiment (not shown), at least a portion or all of the hydrogen feed is mixed with the liquid stream **133** from the separation zone and fed into the reactor **140**. The quench hydrogen in one embodiment supplies the reaction hydrogen as most of the hydrogen from the first contacting zone **120** left with the vapor stream **131**.

[0128] Effluent stream **142** comprising upgraded materials along with slurry catalyst, hydrogen gas, coke, unconverted heavy oil, etc., flows to the next separation zone **150** in series for separation of gas and volatile liquids **151** from the non-volatile fractions **152**. The gaseous and volatile liquid fractions are withdrawn from the top of the separation zone, and combined with the gaseous and volatile liquid fractions from a preceding separation zone as stream **161** for further processing in hydrotreatment system **160** or a downstream product purification system. The non-volatile (or less volatile) fraction stream is withdrawn and sent away as residue stream **152** for deoiling / metal recovery. In yet another embodiment (not shown), stream **161** is quenched with a hydrocarbon stream such as LGO in a lean oil contactor.

[0129] The hydrotreater **160** in one embodiment employs conventional hydrotreating catalysts, is operated at a similarly high pressure (within 10 psig) as the rest of the upgrade system, and capable of removing sulfur, nitrogen and other impurities from the upgraded

products with an HDN conversion level of > 99.99%, lowering the sulfur level in fraction above 70°F. boiling point in stream **162** to less than 20 ppm in one embodiment, and less than 10 ppm in a second embodiment. In another embodiment, the in-line hydrotreater operates at a temperature within 10°F. of the temperature of the contacting zones.

5 [0130] Figure 2 is a flow diagram of another embodiment of a once-through upgrade process with three contacting zones running in sequential mode, e.g., reactors **120**, **135**, and **140**, with each of the contacting zones having a separation zone in series with optional by-pass. As shown, effluent stream **123** comprising upgraded material, spent slurry catalyst, and unconverted heavy oil feed, hydrogen, etc., withdrawn from the 1st contacting zone **120** is
10 sent to separation zone **130**, or directly to the second contacting zone **135** in series for further upgrading. Alternatively (shown as dotted line), the effluent stream **123** may bypass the separation zone **130** and go directly into the next contacting zone **135** in series. Additional catalyst feed, heavy oil feedstock and other hydrocarbon feedstock such as VGO can also be fed to the 2nd contacting zone along with additional hydrogen feed **137**. Effluent stream **136**
15 exits the contacting zone **135** and flows to separation zone **145**, wherein gases (including hydrogen) and upgraded products in the form of volatile liquids are separated from the non-volatile liquid fraction **147** and removed overhead as stream **146**. The non-volatile stream **147** is sent to the next contacting zone **140** in series for further upgrade.

[0131] Non-volatile stream **147** contains slurry catalyst in combination with
20 unconverted oil, heavier hydrocracked liquid products, optional sacrificial material, and small amounts of coke and asphaltenes in some embodiments continues on to the next reactor **140** as shown. Additional feed stream(s) comprising hydrogen comprising gas, optional VGO feed, optional (additional) heavy oil feed, and optional catalyst feed can be combined with the non-volatile stream **147** for further upgrade reaction in the next reactor **140**. Effluent stream
25 **142** from the reactor comprising upgraded heavy oil feedstock flows to separation zone **150**, wherein upgraded products are combined with hydrogen and removed as overhead stream **151**. Bottom stream comprising non-volatile fractions, e.g., catalyst slurry, unconverted oil containing coke and asphaltenes, heavier hydrocracked liquid products, optional sacrificial material, etc., are removed as residue **152** for catalyst recovery / regeneration downstream.

30 [0132] Figure 3 is a flow diagram of another embodiment of a once-through upgrade process as a parallel train with three contacting zones, e.g., reactors **120**, **135**, and **140**, and with optional by-pass so that one separation zone can be used for all three reactors. In one embodiment, the system is operated at a high through put rate with all three reactors operating in parallel with each reactor having its own heavy oil feed, catalyst feed, optional

VGO feed, etc., with the effluents going to one same separator **150** or individually to separate reactors, and the non-volatile fractions from the separators are collected for further processing as residue **152**. In one embodiment (not shown, or indicated by dotted lines), the system operates at a slower rate with at least two of the reactors operating in series, with the non-volatile fraction from the separator being sent to the next reactor in series. In one 5 embodiment, the effluent stream withdrawn from the reactor can be sent to the separator located in series after each reactor, e.g., streams **123** flowing to separator **130**, stream **136** to separator **145**, and stream **142** to separator **150**, and the non-volatile streams from any of the separation zone can be removed / sent away to residue tank **152** for catalyst recovery / 10 regeneration downstream.

[0133] In one embodiment (as shown as dotted lines) with all reactors sharing a separator, all the effluent streams are sent to separator **150**, wherein the overhead stream is withdrawn as stream **151** and sent to a lean contactor or a downstream process **160**.

[0134] Flexible Operation: A once-through upgrade process as illustrated in Figure 15 3 with a plurality of contacting zones and separation zones constructed in a permutable fashion so as to provide a flexible operation, accommodating different modes of operation. Although not shown in Figure 3, appropriate valves can be installed in the process pipes to open / close accordingly, allowing the once-through process system to switch from one operation mode to another.

[0135] The different modes include but are not limited to the followings and 20 combinations thereof: a) an operation with one reactor to two, or three (or more) reactors; b) an operation at low through-put rate but a high conversion rate with the plurality of reactors operating in a sequential fashion, i.e., operating in series, with the effluent from one reactor or the bottom liquid stream from a separator being sent to the next reactor in series for further 25 conversion; c) an operation at a high through-put rate with at least some of the reactors running in tandem (parallel) and heavy oil feedstock to each of the reactors, and some of the reactor(s) being on stand-by or off-line mode; d) a mixed operation mode with one reactor running in tandem (parallel) with the other plurality of reactors running in series; e) an operation with the reactors running in tandem (parallel) with the effluent stream from each 30 reactor being sent to a separator in series with the reactor(s); and f) an operation with the reactors running in tandem (parallel), and with the effluent stream(s) from the reactors being combined and sent to one or two separators for separation and recovery of the upgraded products.

[0136] Although not described here, there can be other permutations of the above operating modes, such as a combined mode wherein the effluent from one reactor or the bottom liquid stream from a separator being split into multiple feed streams to two or more reactors in series. Additionally, as the system is set up as a flexible operation, any of the reactor can be operated as a primary or only reactor, a first reactor (or a second reactor, a third reactor, etc.) in a process running in a sequential fashion (or a mixed sequential / tandem model), and any of the separation zone can be operated as a primary or only separator, a first (second, or third, etc.) separation zone or the only separation zone in continuous process.

[0137] In one embodiment, the process allows a flexible operation with different types of heavy oil feeds, catalyst types, etc., with the reactors running in parallel with their own feed system. The flexibility of running in parallel and or series also allows one reactor to be shut down for clean up, removal of deposits, etc., while the remainder of the system operational. This means that the overall operation process efficiency is increased with minimum overall system downtime.

[0138] In one embodiment, the process allows a flexible conversion from one operating mode to another, without the need for unit shut-down and re-start. In one embodiment where only some of the contacting zones are kept in operation such as single reactor runs, the other reactor(s) are maintained in hot stand-by mode, i.e., at an elevated pressure and temperature as in the reactor(s) in operation. In one embodiment, pressure and temperature are maintained in the equipment on standby with hot hydrogen being circulated through the reactor or reactors not in operation and kept on stand-by.

[0139] In one embodiment, a sufficient amount of heated hydrogen containing gas feed is supplied to each of the stand-by reactors for the reactors to be at approximately the same temperature and pressure as the reactors in operation. As used herein, approximately the same (or similar to) temperature means that the temperature of the stand-by reactor is within 50°F of the temperature of the reactors being in operation, and the pressure of the reactor on stand-by is within 100 psi of the pressure of the reactors in operation.

[0140] In one embodiment, the sufficient amount of hydrogen ranges from 10 to 100% of the hydrogen supplied to the reactor(s) in operation. In another embodiment, this sufficient amount of hydrogen ranges from 10 to 30%. In a fourth embodiment, the sufficient amount of hydrogen ranges from 15 to 25% of the total amount of hydrogen supplied to the reactors still in operation. The hot hydrogen stream exits the stand-by reactor or reactors and enters the separation zones, wherein it subsequently combines with the overhead stream and sent to a lean contactor or a downstream process for product purification.

[0141] Figure 4 illustrates one embodiment of a flexible once-through upgrade process (a variation of Figure 3), wherein only two of the reactors **120** and **135** in the system are engaged for heavy oil upgrade, and the third reactor system **140** is put on stand-by or back up mode with H₂ feed only, or it can be used for the upgrade of heavy oil as shown
5 (employing a different catalyst and / or heavy oil feedstock). The third reactor **140** system can also be shut-down for maintenance while the other two are kept on-line.

[0142] As shown, reactors **120** and **135** are run in series, with the bottoms liquid stream **133** from the high pressure high temperature (HPHT) separator **130** is sent to reactor **135** for further upgrade. Volatile product streams from the overhead HPHT separators are
10 combined with hot hydrogen **151** from the stand-by unit (or overhead stream with upgraded products if reactor **140** is in operation) and sent to a lean contactor or a downstream purification process. Bottoms stream comprising unconverted heavy oil, spent catalyst slurry, asphaltenes, etc. from the separator, e.g., **147** is collected as residue **152** and sent to a downstream process for deoiling and / or metal recovery in a metal recovery unit.

[0143] Figure 5 illustrates another embodiment of the flexible once-through upgrade system (variation of Figure 3), wherein all units are engaged for heavy-oil upgrade to maximize through-put, running in parallel with heavy oil feed **104**, slurry catalyst feed **110**, optional steam injection to some of the reactors, optional additive materials such as anti-foam injection and / or sacrificial materials to some of the reactors, and optional VGO feed to some
15 of the reactors running in tandem. Although not shown, it is noted that the effluents from any or all of the reactors can be directed to one single HPHT separator instead of running through a separator connected in series to the reactor, e.g., effluent streams **123** and **136** from reactors **120** and **140** respectively can be combined with the effluent stream **142** from the last reactor in the train, reactor **140**, as feed to the HPHT separator **150**. If the reactors are
20 running as separate units with their own respective HPHT separator, the bottom streams comprising unconverted heavy oil, spent catalyst, e.g., **133**, **147**, can be collected into one residue stream **152** and sent to a downstream process for deoiling and / or metal recovery in a metal recovery unit.

[0144] The residue stream **152** contains small amounts of coke and asphaltenes,
30 optional sacrificial material if any, and spent slurry catalyst in an amount of 5 to 30 wt. % in unconverted oil. Volatile product streams from the overhead HPHT separators are combined and sent to a lean contactor or a downstream product purification process.

[0145] Figure 6 is a flow diagram of another embodiment of a once-through upgrade process with three contacting zones running in tandem (parallel) and sharing one separation

zone. As shown, each reactors **120**, **135**, and **140** run in tandem with their own separate heavy oil, catalyst, optional VGO, optional steam injection (not shown), and optional additive feeds (not shown). The effluent streams **123**, **136**, and **142** from the reactors are combined and sent to one single separation zone **150** for the upgraded products to be separated from the residue stream comprising spent slurry catalyst, heavier hydrocarbons, and unconverted heavy oil feed. As the reactors operate in tandem as separate upgrade reactors, the heavy oil feedstock as well as the catalyst feed can be the same or different across the reactors.

[0146] Figure 7 is another permutation of the flexible upgrade system, wherein the first two reactors **120** and **135** run in sequential mode. Although not shown, additional heavy oil feed as well as catalyst, optional additives, VGO feed, etc. can also be added to the second reactor **135** along with the effluent stream **123** from the first reactor. The last reactor can be kept on stand-by mode with hot H₂ flowing through the reactor, or it can also be used for heavy oil upgrade as shown, with the last reactor **140** running in tandem with the sequential operation (reactors **120** and **135**). The heavy oil feedstock, catalyst feed, and VGO feed to the last reactor **140** can be the same or different from the feeds to the sequential operation. As shown, effluent streams **136** and **142** from both operations are combined and sent to separation zone **150**.

[0147] Although not shown in all of the Figures, the once-through upgrade system may comprise recirculating / recycling channels and pumps (not shown) for promoting the dispersion of reactants, catalyst, and heavy oil feedstock in the contacting zones, particularly with a high recirculation flow rate to the first contacting zone to induce turbulent mixing in the reactor, thus reducing heavy metal deposits. In one embodiment, a recirculating pump circulates through the loop reactor, thus maintaining a temperature difference between the reactor feed point to the exit point ranging from 1 to 50°F, or between 2-25°F. In another embodiment, the recirculation is to limit the temperature difference across the contacting zone(s) due to exothermic reactions and ensure good contacting of the hydrogen and the reactants.

[0148] In the contacting zones under hydrocracking conditions, at least a portion of the heavy oil feedstock (higher boiling point hydrocarbons) is converted to lower boiling hydrocarbons, forming an upgraded product. It should be noted that at least a portion of the slurry catalyst remains with the upgraded feedstock as spent slurry catalyst, as the upgraded materials is withdrawn from the contacting zone and fed into the separation zone, and the spent slurry catalyst continues to be available in the separation zone and exits the separation zone with the non-volatile liquid fraction.

[0149] The following examples are given as non-limitative illustration of aspects of the present invention.

[0150] Examples: Heavy oil upgrade experiments were carried out in a system having three gas-liquid slurry phase reactors connected in series with two hot separators, each being connected in series with the 2nd and 3rd reactors respectively.

[0151] For all examples, a fresh slurry catalyst was prepared according to the teaching of US Patent No. 2006/0058174, e.g., a Mo compound was first mixed with aqueous ammonia forming an aqueous Mo compound mixture, sulfided with a sulfur-containing compound, promoted with a Ni compound, then transformed in a hydrocarbon oil, e.g., VGO, at a temperature of at least 350°F and a pressure of at least 200 psig, forming an active slurry catalyst to send to the first reactor. The Mo concentration in VGO is 5% and the Ni/Mo ratio is 10% wt.

[0152] The heavy oil feedstock in the examples has properties as indicated in Table 1.

| Feed Description | VR-1 | VR-H | VR-2 |
|---------------------------------|-------|--------|-------|
| Feed API | 2.5 | 1.35 | 2.70 |
| Feed Specific Gravity | 1.06 | 1.07 | 1.06 |
| Viscosity (100C), cst | 14548 | - | - |
| Viscosity (130C), cst | 1547 | 51847 | 8710 |
| Viscosity (150C), cst | NA | 5647 | 2102 |
| Feed Sulfur, wt% | 5.53 | 4.3675 | 5.12 |
| Feed Nitrogen, ppm | 5688 | 9907 | 7900 |
| Feed MCR, wt% | 25.4 | 27.9 | 29.9 |
| Feed Vanadium, ppm | 517.7 | 759.8 | 671.6 |
| Feed Nickel, ppm | 102.2 | 174.3 | 141.9 |
| Hot Heptane Asphaltenes, wt% | 16.3 | 19.2 | 25.7 |
| Feed VR (1000 F+) Content, wt% | 86.4 | 95.5 | 95.7 |
| Feed HVGO (800 F+) Content, wt% | 97.8 | 98.9 | 100 |
| Feed VGO (650 F+) Content, wt% | 99.6 | 100 | 100 |
| Feed C, wt% | 83.71 | 84.30 | 83.24 |
| Feed H, wt% | 9.88 | 9.75 | 9.53 |
| H/C Ratio | 0.118 | 0.116 | 0.114 |

[0153] The upgrade system was operated under two modes: recycle and once-through. In the recycle mode as in the prior art, a portion of the non-volatile stream (STB or “stripper bottoms” product) from the last reactor was recycled back to the 1st reactor and a portion is removed as a bleed stream. The STB stream amounts to about 30% of heavy oil

feedstock to the system. The bleed stream amounts to about 15 wt. % of the heavy oil feedstock to the system. The STB stream contains about 10 to 15 wt. % slurry catalyst.

[0154] In all runs, effluent taken from the 1st reactor was sent to the 2nd reactor to continue with the upgrade reaction. Effluent streams from the 2nd and 3rd reactors were sent to the separators connected in series to the 2nd and 3rd reactor respectively, and separated into a hot vapor stream and a non-volatile stream. Vapor streams (“HPO” or high-pressure overhead streams) were removed from the top of the high pressure separators and collected for further analysis. The non-volatile stream comprising slurry catalyst and unconverted heavy oil feedstock from the 1st separator was sent to the 3rd reactor. The non-volatile stream comprising slurry catalyst and unconverted heavy oil feedstock from the 2nd (last) separator is the STB stream, which was either recycled to the 1st reactor (for “recycle” experiments) or sent away as a residue stream (for “once-through” experiments).

[0155] The hydroprocessing conditions were as follows: reactor temperature (in three reactors) in the range of 805 - 820°F, with the average reactor temperature as indicated in the Tables; a total pressure in the range of 2400 to 2600 psig; LHSV is as indicated in the table, ranging from 0.1 to 0.30h⁻¹; and H₂ gas rate (SCF/ bbl) of 7500 to 20000. For some of the runs, some of the reactors were taken off-line to increase the overall feed throughput (as indicated in the Tables with the number of reactors in operation).

[0156] As shown in Table 3 and at comparable LHSV, Example 8 in the once-through mode and at a low catalyst concentration (2500 ppm Mo/VR) gives a conversion rate that is comparable to the conversion rate obtained in Example Comp. 3, for an upgrade process operating in a recycle mode and a much higher catalyst concentration (4200 ppm). HVGO and VGO conversions were 93% and 78% respectively, along with high HDS, HDN, HD MCR and HDM conversions. The whole product API gravity gained nearly 31 degrees, similar to the recycle operation. The experiments indicated that the recycle stream could be removed without affecting the overall performance, and decreasing? increasing the catalyst level (2500? 4200 ppm) did not significantly change the performance.

[0157] Attempts to run the upgrade system in a recycle mode and comparable (low) catalyst concentration of 2500 ppm Mo/VR were unsuccessful in Comparative Example 4, as the system never stabilized and with equipment issues due to the low conversion rate in the recycle mode (coke formation and solid depositions in the reactor).

[0158] Results from Example 1, Comparative Example 1 and Comparative Example 2 were evaluated to compare the conversion rate at different through put rates and a high

catalyst rate (2.1% Mo). The vacuum resid (VR) conversion rate decreased as expected at higher through put rates, but was still with a conversion rate of > 70% (71.74%).

Additionally, more than 95% of the V and Ni in the feed were removed from the products and the whole product API gravity gained about 17 degrees compared to the VR feed.

5 [0159] Examples 2-7 were to evaluate the once-through upgrade system at various through put rates and low catalyst concentration (1500-2500 ppm). As shown in Example 2, > 75% VR conversion was realized at 0.3 VR LHSV and 4200 ppm Mo. The HVGO and VGO conversion rates were 62% and 50% respectively, indicating that most of the VR have been converted to light hydrocarbon / oils. When the catalyst level was reduced to 2500 ppm
10 (Example 3) or 1500 ppm (Example 4), VR conversion increased slightly due to the slight decrease in the overall LHSV. When the reactor temperature was increased from 818-819°F to 825°F, the VR conversion rate increased to 79% with a low catalyst level of 2500 ppm Mo, which is a 40% reduction in catalyst usage compared to the usage in the recycle mode (Comparable Example 3). As shown in Examples 6-7, 92-94% VR conversion was obtained
15 at 2500 ppm Mo with a whole product API gain of more than 26 degrees.

[0160] As noted, at a low catalyst to oil ratio (1500-4200 ppm) in once-through mode, at least 75% VR (1000°F) conversion (75-79%) is obtained at a high VR throughput (0.3 LHSV) and at a high reactor temperature of 818-825°F. The VR conversion rate increased to 92-94% at 0.15 LHSV and at an almost full conversion rate of > 98% at 0.1
20 LHSV and a high reactor temperature of 818-825°F. Also as noted, catalyst concentration in the reactors increased from one reactor to the next (in series), whether the upgrade system operated in either recycle mode or once-through mode.

[0161] Comparative Example 10. It is expected that running the upgrade system in the once-through mode with a very low catalyst concentration (250 ppm Mo/VR) would be
25 unsuccessful, as the system would not stabilize with plugging problems, presumably with a low conversion rate due to the low catalyst concentration.

[0162] Example 13. In this example, a sacrificial material was employed to test the absorbance of asphaltenes and other deposits in the upgrade system. A material with a high capacity to selectively adsorb troublesome asphaltenes was employed. The material
30 adsorbed asphaltenes thus preventing the asphaltenes from deactivating the catalyst, allowing the system to run with less catalyst while still maintaining a high conversion.

[0163] In Example 13 (see table 4), two different sacrificial adsorbent materials were evaluated. C-2 is a commercial carbon black material from STREM Chemicals having an

average size of 2-12 microns. C-1 is a carbon black obtained by the coking of spent slurry catalyst in heavy oil residual obtained from a previous upgrade run, having a D-90 of 10 microns (with particle size ranging from 2 to 12 microns), and BET surface area of 400 m²/g. The carbonaceous material was charged at 3000 ppm Carbon/VR wt/wt in a batch reaction experiment with 112.5 g of a blend of heavy oil VR-1 /cycle oil (3:2 ratio), and a catalyst level of 1.25% Mo to VR-1 heavy oil feed. The reaction was carried out at a pressure of 1600 psig hydrogen and with 2 or 5 hour soak at 825°F. The runs with the carbonaceous material were compared to batch reaction experiments without the sacrificial adsorbent. Table 4 summarizes the catalytic performance.

10 Table 4

| Example 13 | Soak (hr) | % Conversion | | | | at. H/C | dry solids |
|------------------------|-----------|--------------|------|-------|------|---------|------------|
| | | HDN | HDS | HDMCR | VR | | |
| Comparable – no C mat. | 2 | 33.9 | 78.1 | 64.7 | 88.0 | 1.33 | 2.70 |
| C-2 material | 2 | 38.4 | 77.6 | 63.8 | 83.6 | 1.33 | 2.60 |
| C-1 material | 2 | 38.8 | 77.2 | 64.3 | 74.6 | 1.32 | 2.50 |
| Comparable - no C mat. | 5 | 45.8 | 85.7 | 77.7 | 96.1 | 1.29 | 2.10 |
| C-2 material | 5 | 52.9 | 86.3 | 75.7 | 94.6 | 1.35 | 2.60 |
| C-1 material | 5 | 50.0 | 85.4 | 76.7 | 94.3 | 1.30 | 2.30 |

[0164] HDN means hydrodenitrogenation; HDS means hydrodesulfurization; HDMCR means hydrodemicrocarbon residue; VR means vacuum residue; at. H/C means atomic hydrogen to carbon ratio; and dry solids values were measured according to methods known in the art. HDN is a common measure for hydrogenation activity of a catalyst. As shown, runs employing carbonaceous sacrificial material showed a consistent increase in HDN activity at both 2 and 5 hour soak times compared to the control without the carbon.

[0165] For the purpose of this specification and appended claims, unless otherwise indicated, all numbers expressing quantities, percentages or proportions, and other numerical values used in the specification and claims, are to be understood as being modified in all instances by the term "about." Accordingly, unless indicated to the contrary, the numerical parameters set forth in the following specification and attached claims are approximations that may vary depending upon the desired properties sought to be obtained and / or the precision of an instrument for measuring the value, thus including the standard deviation of error for the device or method being employed to determine the value. The use of the term "or" in the claims is used to mean "and/or" unless explicitly indicated to refer to alternatives only or the alternative are mutually exclusive, although the disclosure supports a definition

that refers to only alternatives and "and/or." The use of the word "a" or "an" when used in conjunction with the term "comprising" in the claims and/or the specification may mean "one," but it is also consistent with the meaning of "one or more," "at least one," and "one or more than one." Furthermore, all ranges disclosed herein are inclusive of the endpoints and are independently combinable. In general, unless otherwise indicated, singular elements may be in the plural and vice versa with no loss of generality. As used herein, the term "include" and its grammatical variants are intended to be non-limiting, such that recitation of items in a list is not to the exclusion of other like items that can be substituted or added to the listed items.

10 [0166] It is contemplated that any aspect of the invention discussed in the context of one embodiment of the invention may be implemented or applied with respect to any other embodiment of the invention. Likewise, any composition of the invention may be the result or may be used in any method or process of the invention. This written description uses examples to disclose the invention, including the best mode, and also to enable any person skilled in the art to make and use the invention. The patentable scope is defined by the claims, and may include other examples that occur to those skilled in the art. Such other examples are intended to be within the scope of the claims if they have structural elements that do not differ from the literal language of the claims, or if they include equivalent structural elements with insubstantial differences from the literal languages of the claims.

15

Table 2

| | Ex. 1 | Comp. 1 | Comp. 2 | Ex. 2 | Ex. 3 | Ex. 4 | Ex. 5 | Ex. 6 | Ex. 7 | Ex. 11 | Ex. 12 |
|--|-----------|-----------|-----------|-----------|-----------|-----------|-----------|-----------|-----------|-----------|-----------|
| Feed ID | VR-1 | VR-1 | VR-1 | VR-H | VR-H | VR-H | VR-H | VR-H | VR-H | VR-2 | VR-2 |
| Operation mode | Once-Thru | Once-Thru | Once-Thru | Once-thru | Once-thru | Once-thru | Once-thru | Once-thru | Once-thru | Once-thru | Once-thru |
| # of reactors | 1 | 2 | 3 | 1 | 1 | 1 | 1 | 2 | 2 | 3 | 3 |
| VR LHSV, h ⁻¹ | 0.201 | 0.101 | 0.065 | 0.30 | 0.30 | 0.30 | 0.30 | 0.15 | 0.15 | 0.09 | 0.09 |
| Overall (VR+VGO in catalyst) LHSV, h ⁻¹ | 0.294 | 0.148 | 0.096 | 0.329 | 0.317 | 0.312 | 0.317 | 0.158 | 0.157 | 0.096 | 0.106 |
| Total H ₂ rate to reactors in service, scf/bbl-VR | 10782 | 10503 | 10914 | 2506 | 2512 | 2510 | 2502 | 2510 | 2508 | 2506 | 2506 |
| Unit pressure (psig) | 2482 | 2488 | 2480 | 4500 | 4500 | 4500 | 4500 | 9000 | 6000 | 13500 | 13500 |
| Average temperature of reactors in service, F | 805 | 807 | 810 | 819 | 818 | 819 | 825 | 819 | 819 | 816.3 | 817.3 |
| Actual Cat (Mo) to Oil (VR) Ratio (ppm) | 21192 | 21087 | 21782 | 4200 | 2500 | 1500 | 2500 | 2500 | 2500 | 3000 | 3000 |
| VR feed API | 2.5 | 2.5 | 2.5 | 1.35 | 1.35 | 1.35 | 1.35 | 1.35 | 1.35 | 2.70 | 2.70 |
| HPO API | 41.8 | 43.8 | 44.3 | 7.6 | 6.4 | 5.5 | 7.0 | 4.6 | 5.3 | 2.2 | 1.7 |
| STB API | 15.8 | 21.1 | 26.9 | 43.2 | 42.0 | 42.9 | 44.3 | 37.4 | 40.1 | 36.1 | 35.9 |
| Whole product API | 19.5 | 26.1 | 34.1 | 19.5 | 18.5 | 18.7 | 20.4 | 27.7 | 27.7 | 32.1 | 31.4 |
| Sulfur conversion, % | 72.88 | 91.59 | 99.28 | 65.99 | 64.97 | 63.48 | 67.52 | 85.89 | 84.31 | 91.42 | 90.12 |
| Nitrogen conversion, % | 26.08 | 56.33 | 91.43 | 21.90 | 21.02 | 20.84 | 25.56 | 42.59 | 41.66 | 59.77 | 60.01 |
| MCR conversion, % | 62.17 | 85.10 | 98.87 | 56.53 | 56.41 | 55.34 | 58.16 | 82.46 | 78.55 | 94.54 | 93.11 |
| 1000 F+ conversion, % | 71.74 | 89.39 | 99.00 | 75.51 | 76.17 | 77.61 | 78.58 | 93.57 | 91.87 | 98.01 | 97.50 |
| 800 F+ conversion, % | 48.97 | 72.03 | 89.13 | 62.16 | 63.42 | 64.49 | 66.47 | 84.34 | 82.38 | 90.94 | 90.41 |
| 650 F+ conversion, % | 31.94 | 52.54 | 74.42 | 49.51 | 51.30 | 51.99 | 53.90 | 69.38 | 68.83 | 75.14 | 74.34 |
| HD-vanadium, % | 95.48 | 99.84 | 100.00 | 86.40 | 85.18 | 83.66 | 87.31 | 98.49 | 97.69 | - | - |
| HD-nickel, % | 98.50 | 99.89 | 100.00 | 75.28 | 71.93 | 68.82 | 74.15 | 92.13 | 89.81 | - | - |

Table 3

| | Ex. 8 | Ex 9 | Ex 10 | Comp. 10 | Comp. 3 | Comp. 4 |
|---|-----------|-----------|-----------|-------------|------------|------------|
| Feed Type | VR-H | VR-H | VR-H | VR-H | VR-H | VR-H |
| Operation mode | Once-thru | Once-thru | Once-thru | Once-thru | Recycle | Recycle |
| Number of reactors in service | 3 | 3 | 3 | 3 | 3 | 3 |
| VR LHSV, h ⁻¹ | 0.10 | 0.10 | 0.10 | 0.10 | 0.10 | 0.10 |
| Overall (VR+VGO in catalyst) LHSV, h ⁻¹ | 0.105 | 0.107 | 0.109 | 0.109 | 0.109 | 0.109 |
| Unit Pressure, psig | 2502 | 2505 | 2497 | 2497 | 2505 | 2505 |
| Total H ₂ Rate - scf/bbl-VR | 13500 | 13500 | 13500 | 13500 | 13500 | 13500 |
| Average temperature of the reactors in service, F | 818.7 | 818.7 | 819.3 | 819.3 | 819 | 819 |
| Mo/VR ratio, ppm | 2500 | 3000 | 4200 | 250 | 4200 | 2500 |
| VR Feed API | 1.35 | 1.35 | 1.35 | 1.35 | 1.35 | 1.35 |
| STB API | 0.8 | 2.3 | 3.3 | - | 3.9 | - |
| HPO API | 36.2 | 36.3 | 36.1 | - | 35.9 | - |
| Whole product API | 32.2 | 32.2 | 32.2 | - | 32.3 | - |
| Sulfur Conversion, % | 91.71 | 91.12 | 92.83 | - | 92.81 | - |
| Nitrogen Conversion, % | 55.96 | 59.94 | 61.11 | - | 58.90 | - |
| MCR Conversion, % | 94.18 | 94.47 | 94.77 | - | 94.36 | - |
| VR (1000 F+) Conversion, % | 98.34 | 98.37 | 98.37 | - | 98.18 | - |
| HVGO (800 F+) Conversion, % | 92.85 | 92.54 | 92.74 | - | 92.11 | - |
| VGO (650 F+) Conversion, % | 78.28 | 78.07 | 78.15 | - | 77.61 | - |
| HD-vanadium, % | 99.79 | 99.83 | 99.86 | - | 99.83 | - |
| HD-Nickel, % | 97.54 | 97.55 | 97.66 | - | 97.88 | - |
| Mo concentration in 1 st reactor, ppm ^a | 4050 | na | na | - | 16500 | - |
| Mo concentration in 2 nd reactor, ppm ^a | 11500 | na | na | - | 26600 | - |
| Mo concentration in 3 rd reactor, ppm ^a | 51900 | 66900 | 93500 | - | 44500 | - |
| Mo concentration in STB product (OUT), ppm | 17700 | 21700 | 30900 | - | 32500 | - |

WE CLAIM:

1. A process for hydroprocessing a heavy oil feedstock, the process employing a plurality of contacting zones and at least one separation zone, including a first contacting zone and a contacting zone other than the first contacting zone, the process comprising:

providing a hydrogen containing gas feed;

providing a heavy oil feedstock;

providing a slurry catalyst feed comprising an active metal catalyst having an average particle size of at least 1 micron in a hydrocarbon oil diluent, at a concentration of greater than 500 wppm of active metal catalyst to heavy oil feedstock;

adding an amount of water of up to 30 wt% of the heavy oil feedstock to at least one of a first contacting zone and a contacting zone other than the first contacting zone;

combining at least a portion of the hydrogen containing gas feed, at least a portion of the heavy oil feedstock, water, and at least a portion of the slurry catalyst feed in the first contacting zone under hydrocracking conditions to convert at least a portion of the first heavy oil feedstock to lower boiling hydrocarbons, forming upgraded products;

sending a first effluent stream from the first contacting zone comprising the upgraded products, the slurry catalyst, the hydrogen containing gas, and unconverted heavy oil feedstock to a first separation zone, wherein volatile upgraded products are removed with the hydrogen containing gas as a first overhead stream, and the slurry catalyst and the unconverted heavy oil feedstock are removed as a first non-volatile stream, wherein the first non-volatile stream contains less than 30% solid;

collecting the first overhead stream for further processing; and

collecting the first non-volatile stream for further processing.

2. A process for hydroprocessing a heavy oil feedstock, the process employing a plurality of contacting zones and at least a separation zone, including a first contacting zone and a contacting zone other than the first contacting zone, the process comprising:

providing a hydrogen containing gas feed;

providing a heavy oil feedstock;

providing an additive material selected from the group consisting of inhibitor additives, anti-foam agents, stabilizers, metal scavengers, metal contaminant removers, metal passivators,

sacrificial materials, and mixtures thereof, in an amount of less than 1 wt. % of the heavy oil feedstock;

providing a slurry catalyst feed comprising an active metal catalyst having an average particle size of at least 1 micron in a hydrocarbon oil diluent;

adding an amount of water of up to 30 wt% of the heavy oil feedstock to at least one of a first contacting zone and a contacting zone other than the first contacting zone;

combining at least a portion of the hydrogen containing gas feed, at least a portion of the heavy oil feedstock, water, at least a portion of the additive material, and at least a portion of the slurry catalyst feed in the first contacting zone under hydrocracking conditions to convert at least a portion of the first heavy oil feedstock to lower boiling hydrocarbons, forming upgraded products;

sending a first effluent stream from the first contacting zone comprising the upgraded products, the slurry catalyst, the hydrogen containing gas, and unconverted heavy oil feedstock to a first separation zone, wherein volatile upgraded products are removed with the hydrogen containing gas as a first overhead stream, and the slurry catalyst and unconverted heavy oil feedstock are removed as a first non-volatile stream, wherein the first non-volatile stream contains less than 30% solid;

collecting the first overhead stream for further processing; and

collecting the first non-volatile stream for further processing.

3. A process for hydroprocessing a heavy oil feedstock, the process employs a plurality of contacting zones and at least one separation zone, the process comprising:

providing a hydrogen containing gas feed;

providing a slurry catalyst comprising an active catalyst in a hydrocarbon oil diluent;

adding an amount of water of up to 30 wt% of the heavy oil feedstock to at least one of a first contacting zone and a contacting zone other than the first contacting zone;

combining at least a portion of the hydrogen containing gas feed, at least a portion of the heavy oil feedstock, water, and at least a portion of the slurry catalyst in the first contacting zone under hydrocracking conditions at a sufficient temperature and a sufficient pressure to convert at least a portion of the heavy oil feedstock to lower boiling hydrocarbons, forming upgraded products;

sending a first effluent stream from the first contacting zone comprising a mixture of the upgraded products, the slurry catalyst, the hydrogen containing gas, and unconverted heavy oil feedstock as a feed to a first separation zone, wherein volatile upgraded products are removed with the hydrogen containing gas as a first overhead stream, and the slurry catalyst and the unconverted heavy oil feedstock are removed as a first non-volatile stream;

wherein the plurality of contacting zones and separation zones are configured in a permutable fashion for the plurality of contacting zones and separation zones to operate in: a sequential mode; a parallel mode; a combination of parallel and sequential mode; all online; at least one online and at least one on stand-by; some online and some off-line; a parallel mode with the effluent stream from the contacting zone being sent to at least a separation zone in series with the contacting zone; a parallel mode with the effluent stream from the contacting zone being combined with an effluent stream from a different contacting zone and sent to the separation zone; and combinations thereof.

4. A process for hydroprocessing a heavy oil feedstock, the process employing a plurality of contacting zones and at least one separation zones, the process comprising:

providing a hydrogen containing gas feed;

providing a heavy oil feedstock;

providing a slurry catalyst feed comprising an active metal catalyst having an average particle size of at least 1 micron in a hydrocarbon oil diluent;

adding an amount of water of up to 30 wt% of the heavy oil feedstock to at least one of a first contacting zone and a contacting zone other than the first contacting zone;

combining at least a portion of the hydrogen containing gas feed, at least a portion of the heavy oil feedstock, water, at least a portion of the additive material, and at least a portion of the slurry catalyst feed in the first contacting zone under hydrocracking conditions, operating at a first pressure, to convert at least a portion of the first heavy oil feedstock to lower boiling hydrocarbons, forming upgraded products, the first contacting zone has an exit pressure of X;

sending a first effluent stream from the first contacting zone to a first separation zone having an entry pressure of Y, wherein volatile upgraded products are removed with the hydrogen containing gas as a first overhead stream, and the slurry catalyst and unconverted

heavy oil feedstock are removed as a first non-volatile stream, wherein the first non-volatile stream contains less than 30% solid;

recovering the first overhead stream; and

recovering the first non-volatile stream;

wherein there is a pressure drop Z between the exit pressure X of the first contacting zone and the entry pressure Y of the first separation zone, and Z is less than 100 psi.

5. The process of any one of claims 1-4, wherein the active metal catalyst has an average particle size ranging from 1 to 20 microns.

6. The process of any one of claims 1-4, wherein the slurry catalyst comprises clusters of colloidal sized particles of less than 100 nm in size.

7. The process of any one of claims 1-4, wherein the slurry catalyst comprises an active metal catalyst at a concentration of greater than 1000 wppm of active metal catalyst to heavy oil feedstock.

8. The process of any one of claims 1-4, wherein the slurry catalyst comprises an active metal catalyst at a concentration of 1000 wppm to 3 wt.% of active metal catalyst to heavy oil feedstock.

9. The process of any one of claims 1-4, wherein the slurry catalyst comprises an active metal catalyst at a concentration of at least 1200 wppm of active metal catalyst to heavy oil feedstock.

10. The process of any one of claims 1-4, wherein an amount of water of up to 30 wt% of the first heavy oil feedstock is added to the first contacting zone.

11. The process of any one of claims 1-4, wherein at least a portion of the water is added directly to the first contacting zone as steam injection.

12. The process of any one of claims 1-4, further comprising: adding an additional hydrocarbon oil feed other than the heavy oil feedstock, in an amount ranging from 2 to 30 wt. % of the heavy oil feedstock, to the first contacting zone.
13. The process of claim 12, wherein the additional hydrocarbon oil feed is selected from vacuum gas oil, naphtha, medium cycle oil, light cycle oil, heavy cycle oil, solvent donor, and aromatic solvents.
14. The process of any one of claims 1-4, for treating a heavy oil feedstock having a TAN of at least 0.1; a viscosity of at least 10 cSt; an API gravity at most 15; at least 0.0001 grams of Ni/V/Fe; at least 0.005 grams of heteroatoms; at least 0.01 grams of residue; at least 0.04 grams C5 asphaltenes; and at least 0.002 grams of MCR per gram of heavy oil feedstock.
15. The process of any one of claims 1-4, wherein each of the contacting zones in the process is operated at a liquid hourly space velocity (LHSV) ranging from about 0.075 h⁻¹ to about 2 h⁻¹.
16. The process of any one of claims 1-4, wherein each of the contacting zones in the process is operated at a liquid hourly space velocity (LHSV) ranging from about 0.1 h⁻¹ to about 1.5 h⁻¹.
17. The process of any one of claims 1-4, wherein a sufficient amount of a hydrogen containing gas feed is provided for the process to have a volume yield greater than 100% in upgraded products comprising liquefied petroleum gas, gasoline, diesel, vacuum gas oil, and jet and fuel oils.
18. The process of any one of claims 1-4, wherein the first non-volatile stream contains between 3 to 30 wt % solid, as slurry catalyst.
19. The process of any one of claims 1-4, further comprising an in-line hydrotreater employing hydrotreating catalysts and operating at a pressure within 50 psig of the contacting zones, for removing at least 70% of sulfur, at least 90% of nitrogen, and at least 90% of heteroatoms in the upgraded products.

20. The process of any one of claims 1-3, wherein the first contacting zone operates at an exit pressure X, and there is a pressure drop Z between the exit pressure X of the first contacting zone and an entry pressure Y of the first separation zone, and Z is less than 100 psi.
21. The process of claim 3 or 20, wherein the pressure drop Z is less than 75 psi.
22. The process of claim 3 or 20, wherein the pressure drop Z is less than 50 psi.
23. The process of claim 3 or 20, wherein the pressure drop Z is not due to a pressure reducing device.
24. The process of claim 3 or 20, wherein the pressure drop Z is due to at least one of friction loss, wall drag, volume increase, and piping components.
25. The process of any one of claims 1-4, wherein the first contacting zone and the first separating zone are in direct fluid communication.
26. The process of any one of claims 1, 3 and 4, further comprising providing at least an additive material selected from inhibitor additives, anti-foam agents, stabilizers, metal scavengers, metal contaminant removers, metal passivators, and sacrificial materials, in an amount of less than 1 wt. % of the heavy oil feedstock to the first contacting zone.
27. The process of claim 2 or 26, wherein the additive material is a sacrificial material for trapping metals in the heavy oil feed and coke, having a BET surface area of at least 1 m²/g and a total pore volume of at least 0.005 cm³/g.
28. The process of claim 2 or 26, wherein the additive is an anti-foam agent selected from the group of silicone compounds.
29. The process of claim 28, wherein the anti-foam agent is a siloxane compound having a

viscosity of at least 60,000 cSt.

30. The process of claim 28, wherein the anti-foam agent is polydimethyl siloxane (PDMS) having a viscosity of at least 100,000 cSt.

31. The process of claim 2 or 26, wherein the additive is an inhibitor additive selected from the group of oil soluble polynuclear aromatic compounds, elastic modulus lowering agents, fatty amine derivatives, and metal soaps.

32. The process of claim 2 or 26, wherein the additive is a sacrificial material having a BET surface area of at least $1 \text{ m}^2/\text{g}$ for trapping metals in the heavy oil feed and coke.

33. The process of claim 2 or 26, wherein the additive is a sacrificial material has a total pore volume of at least $0.005 \text{ cm}^3/\text{g}$.

34. The process of claim 2 or 26, wherein the additive is a sacrificial material selected from the group of fumed silica, iron oxides, Al_2O_3 , MgO , MgAl_2O_4 , zeolites, microspheres of calcined kaolin clay, titania, active carbon, carbon black, and mixtures thereof.

35. The process of claim 2 or 26, wherein the additive is a sacrificial material having at least 20% of its pore volume constituted by pores of at least 100 Angstrom.

36. The process of claim 2 or 26, wherein the additive is carbon black having an average particle size ranging from 1 to 100 microns and a BET surface area of at least $10 \text{ m}^2/\text{g}$.

37. The process of claims 2 or 26, wherein the additive is carbon black having a BET surface area ranging from 10 to $2,000 \text{ m}^2/\text{g}$.

38. The process of claim 2 or 26, wherein the additive is a sacrificial material having its surface treated by at least one of inhibitors and anti-foam agents.

39. The process of claim 2 or 26, wherein the additive is a metal passivator selected from the group of alkaline earth metal compounds, antimony, and bismuth.
40. The process of claim 2 or 26, wherein the additive is a metal scavenger selected from the group of macroporous organofunction polysiloxanes.
41. The process of claim 2 or 26, wherein the additive is a spent slurry catalyst.
42. The process of claim 40, wherein the spent slurry catalyst has a BET surface area of at least $1 \text{ m}^2/\text{g}$
43. The process of any one of claims 1 - 4, wherein at least one of the contacting zones is maintained in a stand-by mode, and the process further comprising: maintaining the contacting zone in stand-by mode at a temperature and a pressure similar to the temperature and the pressure under hydrocracking conditions of the first contacting zone.
44. The process of claim 43, wherein a sufficient amount of heated hydrogen containing gas feed is provided to the contacting zone in stand-by mode to maintain a temperature and a pressure similar to the first contacting zone.
45. The process of any one of claims 1, 2, and 4, wherein the plurality of contacting zones are configured in a permutable fashion for the plurality of contacting zones to operate in: a sequential mode; a parallel mode; a combination of parallel and sequential mode; all online; some online and some on stand-by; some online and some off-line; a parallel mode with the effluent stream from the contacting zone being sent to at least a separation zone in series with the contacting zone; a parallel mode with the effluent stream from the contacting zone being combined with an effluent stream from at least another contacting zone and sent to the separation zone; and combinations thereof.
46. The process of any one of claims 1 - 4, wherein the plurality of contacting zones operate in a parallel mode, and the process further comprising:

providing to the second contacting zone, also operated under hydrocracking conditions, at least a portion of hydrogen containing gas feed, at least a portion of the heavy oil feedstock, and at least a portion of the slurry catalyst feed;

combining the at least a portion of hydrogen containing gas feed, at least a portion of the heavy oil feedstock, and at least a portion of the slurry catalyst feed in the second contacting zone to convert at least a portion of the heavy oil feedstock to lower boiling hydrocarbons, forming additional upgraded products;

sending the first effluent stream and a second effluent stream from the second contacting zone comprising the additional upgraded products, the slurry catalyst, the hydrogen containing gas, and unconverted heavy oil feedstock to the first separation zone, wherein the first overhead stream and the first non-volatile stream are removed for further processing.

47. The process of claim 46, wherein the slurry catalyst feed to the second contacting zone is a different slurry catalyst from the slurry catalyst feed to the first contacting zone.

48. The process of claim 46, wherein additional heavy oil feed is fed into the second contacting zone, and wherein the additional heavy oil feed is the same or different than the heavy oil feed to the first contacting zone.

49. The process of claim 46, wherein additional slurry catalyst is fed into the second contacting zone, and wherein the slurry catalyst is the same or different from the slurry catalyst to the first contacting zone.

50. The process of any one of claims 1 - 4, wherein the plurality of contacting zones operate in a parallel mode, and further comprising:

providing to a second contacting zone, also operated under hydrocracking conditions, at least a portion of hydrogen containing gas feed, at least a portion of the heavy oil feedstock, and at least a portion of the slurry catalyst feed;

combining the at least a portion of hydrogen containing gas feed, the at least a portion of heavy oil feedstock, and the at least a portion of slurry catalyst in the second contacting zone to

convert at least the at least a portion of the heavy oil feedstock to lower boiling hydrocarbons, forming additional upgraded products;

sending a second effluent stream from the second contacting zone comprising the additional upgraded products, the slurry catalyst, the hydrogen containing gas, and unconverted heavy oil feedstock to a second separation zone, wherein additional volatile upgraded products are removed with the hydrogen containing gas as a second overhead stream, and the slurry catalyst and unconverted heavy oil feedstock are removed as a second non-volatile stream containing less than 30% solid;

collecting the second overhead stream for further processing in a product purification unit; and

collecting the second non-volatile stream for further processing including slurry catalyst separation and recovery.

51. The process of any one of claims 1 - 4, wherein the plurality of contacting zones operate in sequential mode, and further comprising, prior to sending the first effluent stream to the first separation zone:

sending the first effluent stream from the first contacting zone to a second contacting zone which is also maintained under hydrocracking conditions with additional hydrogen containing gas feed to convert at least a portion of the unconverted heavy oil feedstock in the effluent stream to lower boiling hydrocarbons, forming additional upgraded products; and

collecting a mixture of the upgraded products, the slurry catalyst, the hydrogen containing gas, and unconverted heavy oil feedstock from the second contacting zone as a feed into the first separation zone.

52. The process of any one of claims 1 - 4, wherein the plurality of contacting zones operate in sequential mode, and further comprising:

sending the first non-volatile stream from the first separation zone to a second contacting zone which is also maintained under hydrocracking conditions with additional hydrogen containing gas feed to convert at least a portion of the unconverted heavy oil feedstock to lower boiling hydrocarbons, forming additional upgraded products;

sending a mixture comprising the additional upgraded products, the slurry catalyst, the additional hydrogen containing gas, and unconverted heavy oil feedstock to a second separation zone, whereby volatile additional upgraded products are removed with the additional hydrogen containing gas as an overhead stream, and the slurry catalyst and unconverted heavy oil feedstock are removed as a second non-volatile stream.

53. The process of any one of claims 1 - 4, wherein the plurality of contacting zones operate in parallel mode with at least two contacting zones being run in parallel, further comprising:

combining a least a portion of the hydrogen containing gas feed, a least a portion of the heavy oil feedstock, and a least a portion of the slurry catalyst in a second-contacting zone under hydrocracking conditions to convert at least a portion of the heavy oil feedstock to lower boiling hydrocarbons, forming additional upgraded products, wherein the second contacting zone runs in parallel to the first contacting zone; and

sending the first effluent stream from the first contacting zone and an effluent stream from the second contacting zone comprising a mixture of the additional upgraded products, the slurry catalyst, the hydrogen containing gas to the first separation zone.

54. The process of any one of claims 1 - 4, wherein the plurality of contacting zones operate in parallel mode with at least two contacting zones being run in parallel, further comprising:

combining a least a portion of the hydrogen containing gas feed, a least a portion of the heavy oil feedstock, and a least a portion of the slurry catalyst in a second contacting zone under hydrocracking conditions to convert at least a portion of the heavy oil feedstock to lower boiling hydrocarbons, forming additional upgraded products, wherein the second contacting zone runs in parallel to the first contacting zone; and

sending a second effluent stream from the second contacting zone comprising a mixture of the additional upgraded products, the slurry catalyst, the hydrogen containing gas, and unconverted heavy oil feedstock as a feed to a second separation zone, wherein additional volatile upgraded products are removed with the hydrogen containing gas as a second overhead stream, and the slurry catalyst and the unconverted heavy oil feedstock are removed as a second non-volatile stream.

55. The process of claim 54, wherein the second non-volatile stream is combined with the first non-volatile stream.

56. The process of claim 55, wherein the second overhead stream is combined with the first overhead stream.

57. The process of any one of claims 1 - 4, wherein the plurality of contacting zones operate in parallel mode with at least two contacting zones being run in parallel, further comprising:
providing a second slurry catalyst, wherein the second slurry catalyst is different from the slurry catalyst provided for the first contacting zone;

combining at least a portion of the hydrogen containing gas feed, at least a portion of the heavy oil feedstock, and at least a portion of the second slurry catalyst in a second contacting zone under hydrocracking conditions to convert at least a portion of the heavy oil feedstock to lower boiling hydrocarbons, forming additional upgraded products, wherein the second contacting zone runs in parallel to the first contacting zone;

sending a second effluent stream from the second contacting zone comprising a mixture of the additional upgraded products, the slurry catalyst, the hydrogen containing gas, and unconverted heavy oil feedstock as a feed to a second separation zone, wherein additional volatile upgraded products are removed with the hydrogen containing gas as a second overhead stream, and the slurry catalyst and the unconverted heavy oil feedstock are removed as a second non-volatile stream.

58. The process of any one of claims 1 - 4, wherein the plurality of contacting zones operate in a parallel mode, and further comprising:

providing to a second contacting zone, also operated under hydrocracking conditions, at least a portion of hydrogen containing gas feed, at least a portion of the heavy oil feedstock, and at least a portion of the slurry catalyst feed;

combining at least a portion of hydrogen containing gas feed, at least a portion of the heavy oil feedstock, and at least a portion of the slurry catalyst feed in the second contacting zone to convert at least a portion of the heavy oil feedstock to lower boiling hydrocarbons, forming additional upgraded products;

sending a second effluent stream from the second contacting zone comprising the additional upgraded products, the slurry catalyst, the hydrogen containing gas, and unconverted heavy oil feedstock to the first separation zone along with the first effluent stream, wherein the first overhead stream and the first non-volatile stream are removed for further processing.

59. The process of claim 58, wherein the slurry catalyst feed to the second contacting zone is a different slurry catalyst from the slurry catalyst feed to the first contacting zone.

60. The process of claim 58, wherein the slurry catalyst feed to the first contacting zone is a Ni only slurry catalyst or a slurry catalyst rich in Ni, and the catalyst feed to the second contacting zone is a Mo only slurry catalyst or a slurry catalyst rich in Mo.

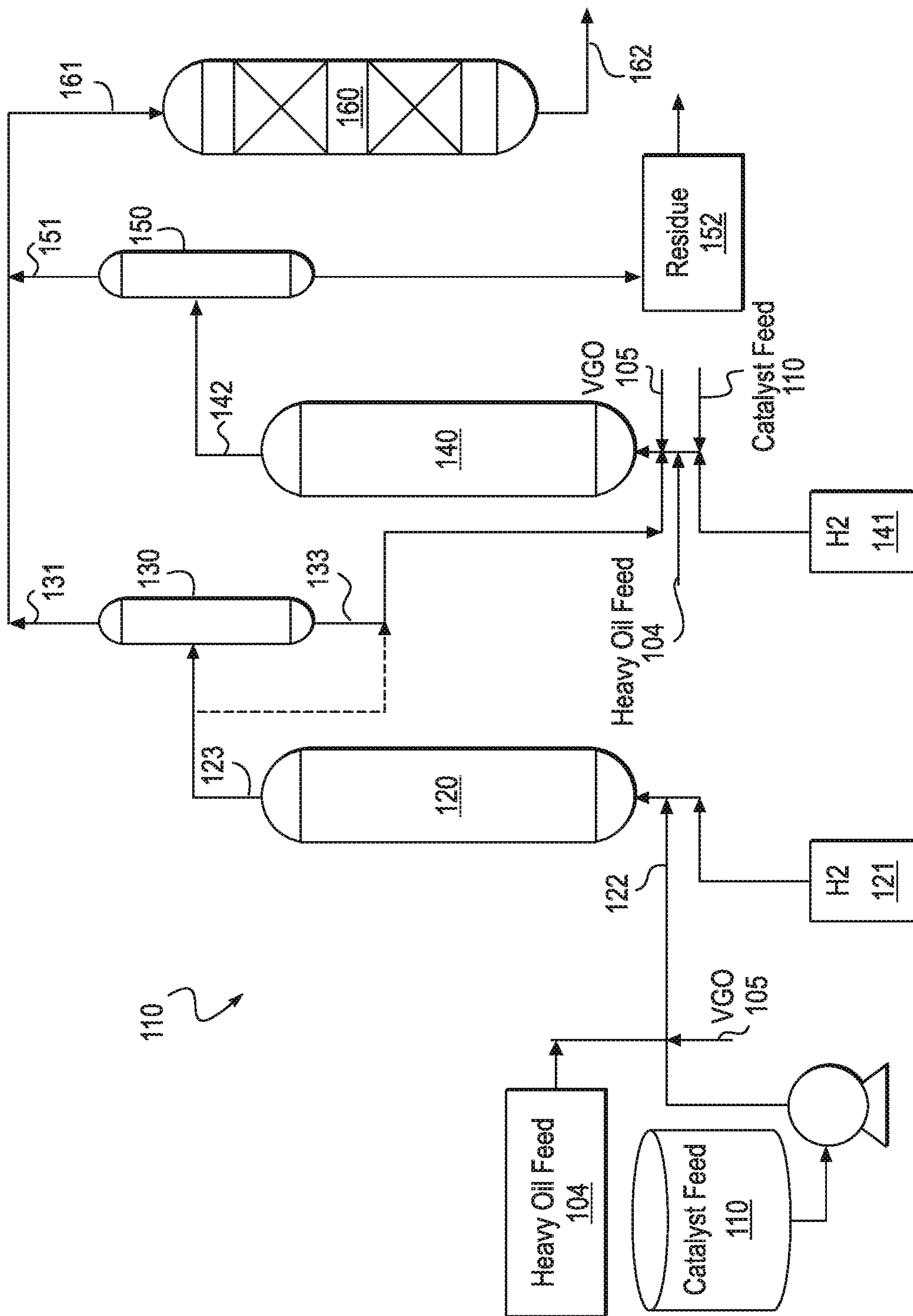


FIG. 1

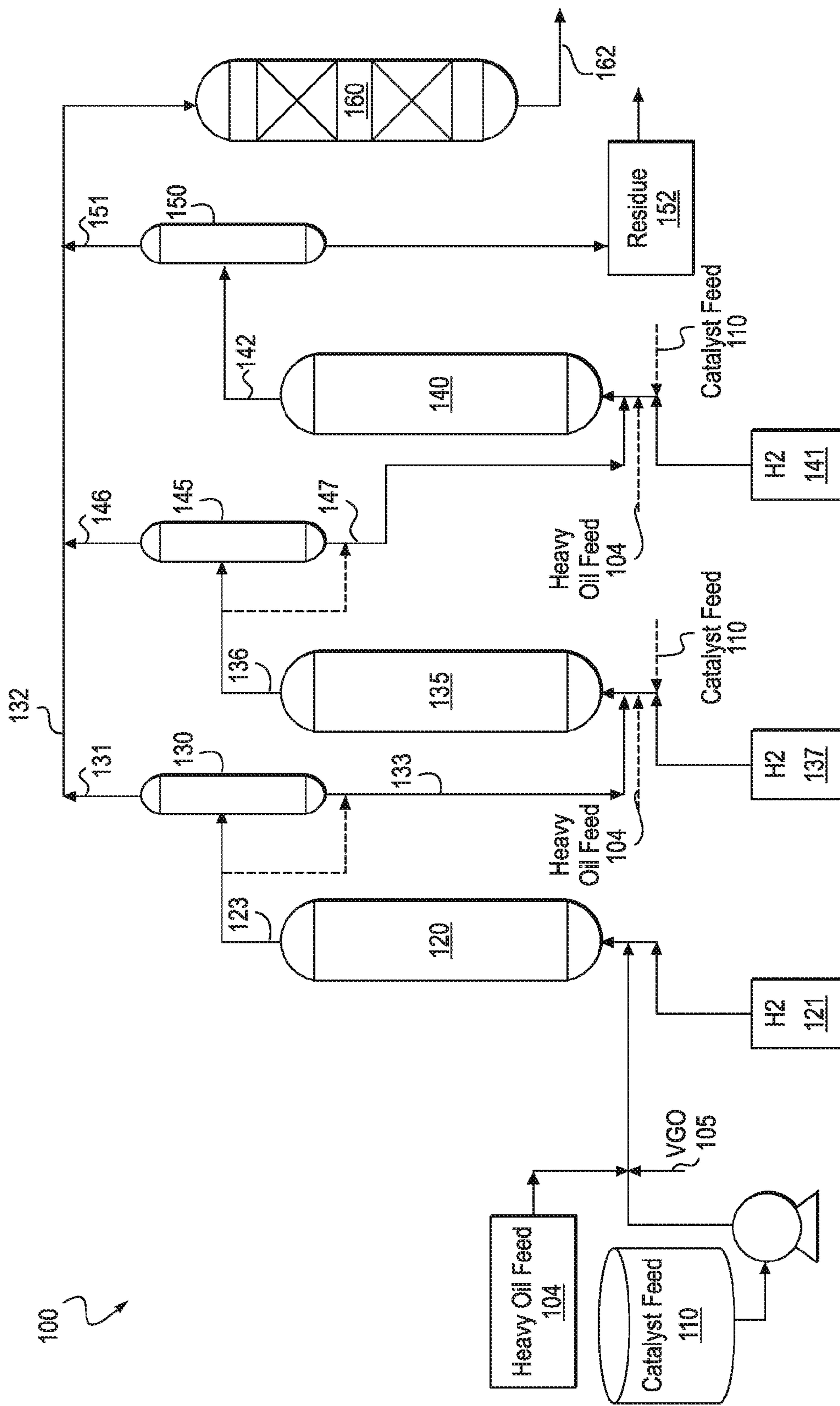


FIG. 2

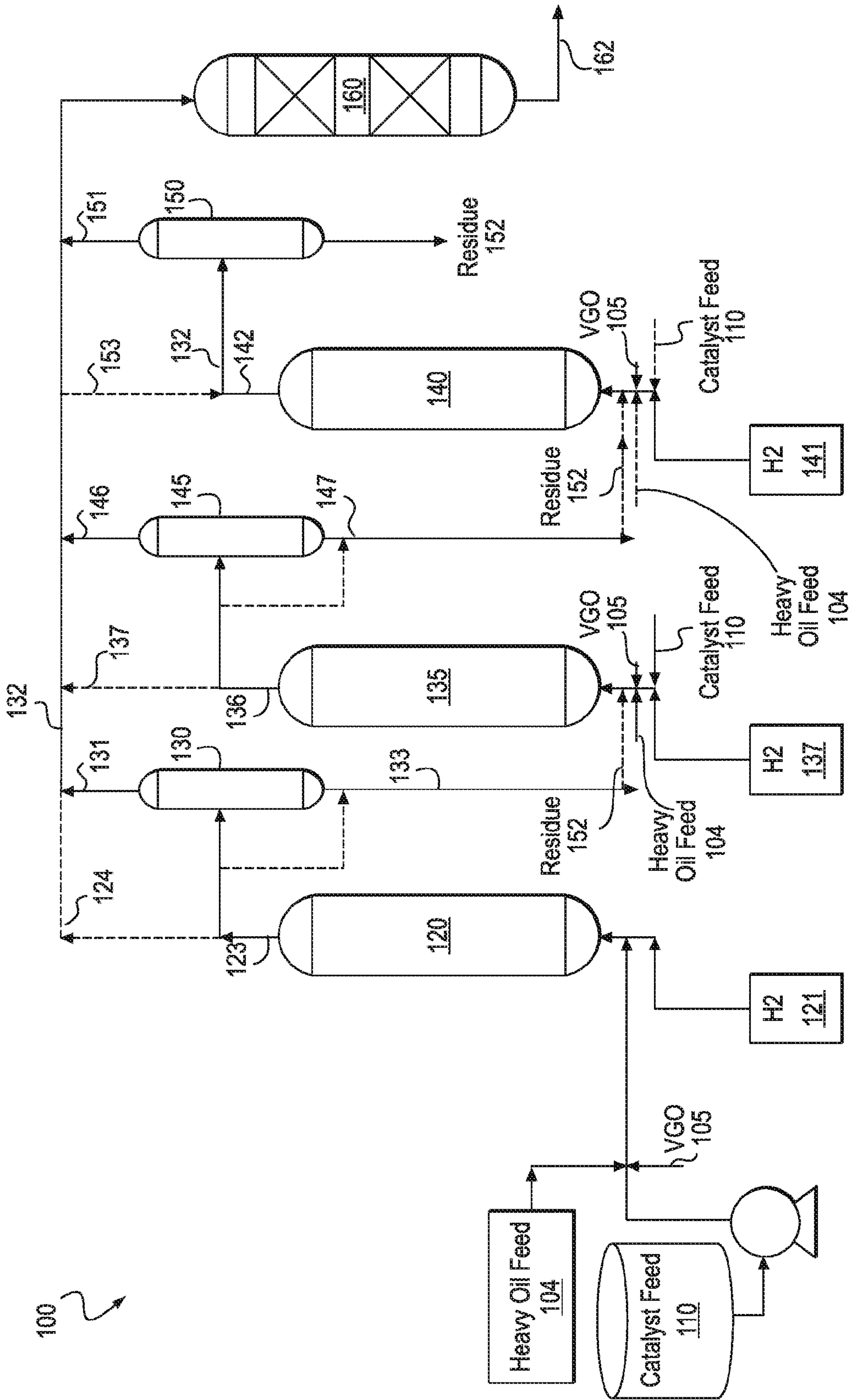


FIG. 3

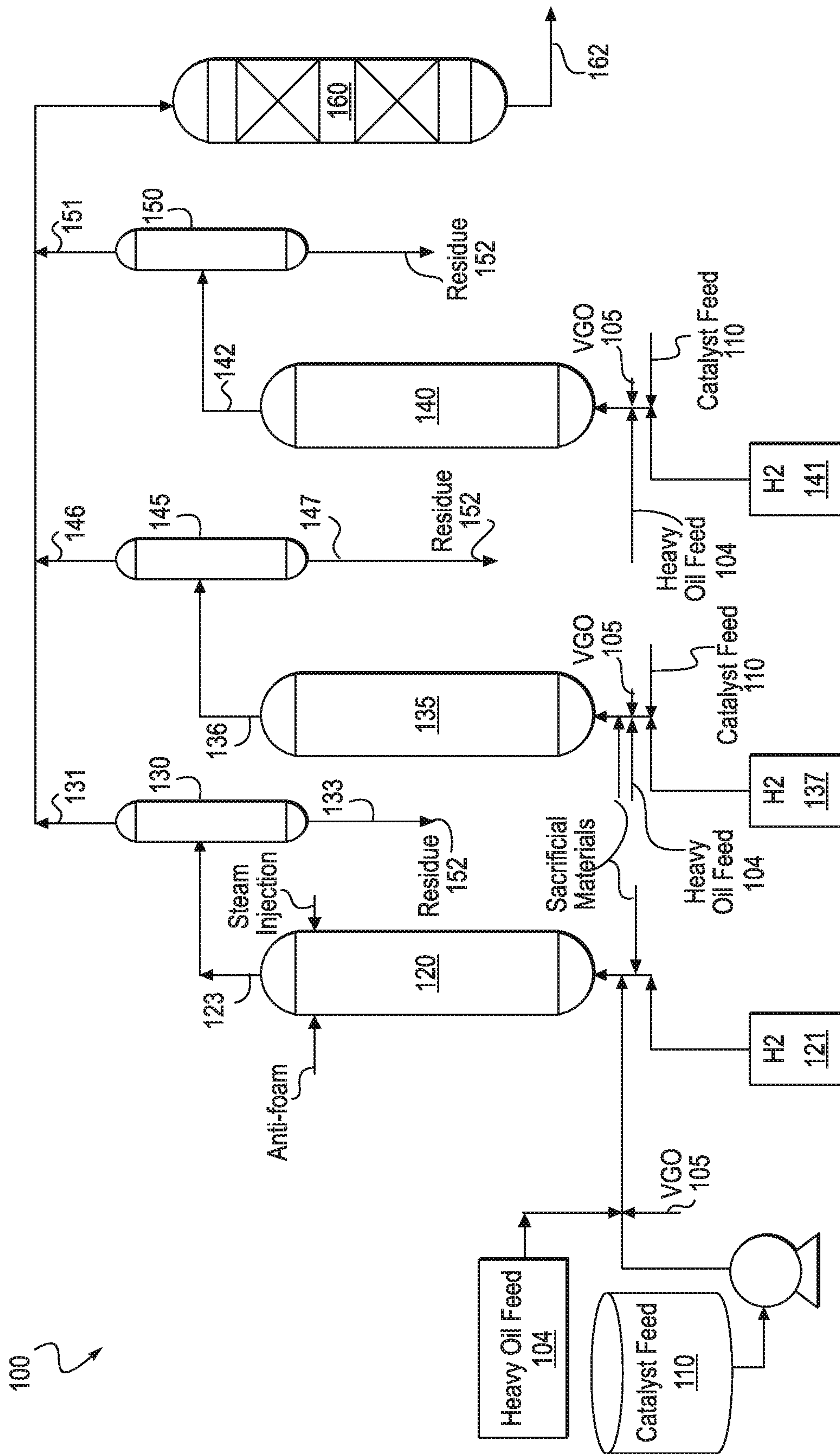


FIG. 5

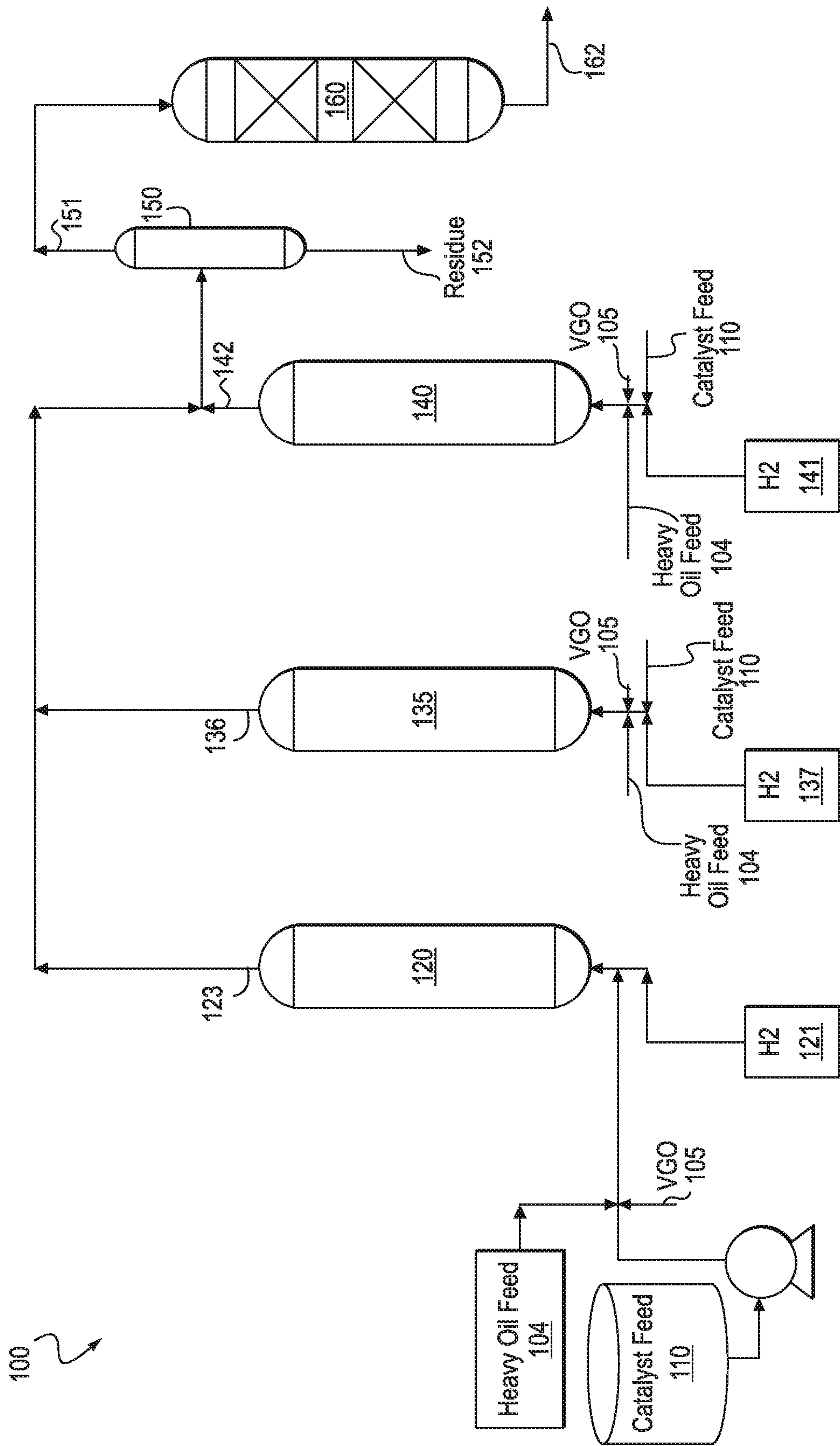


FIG. 6

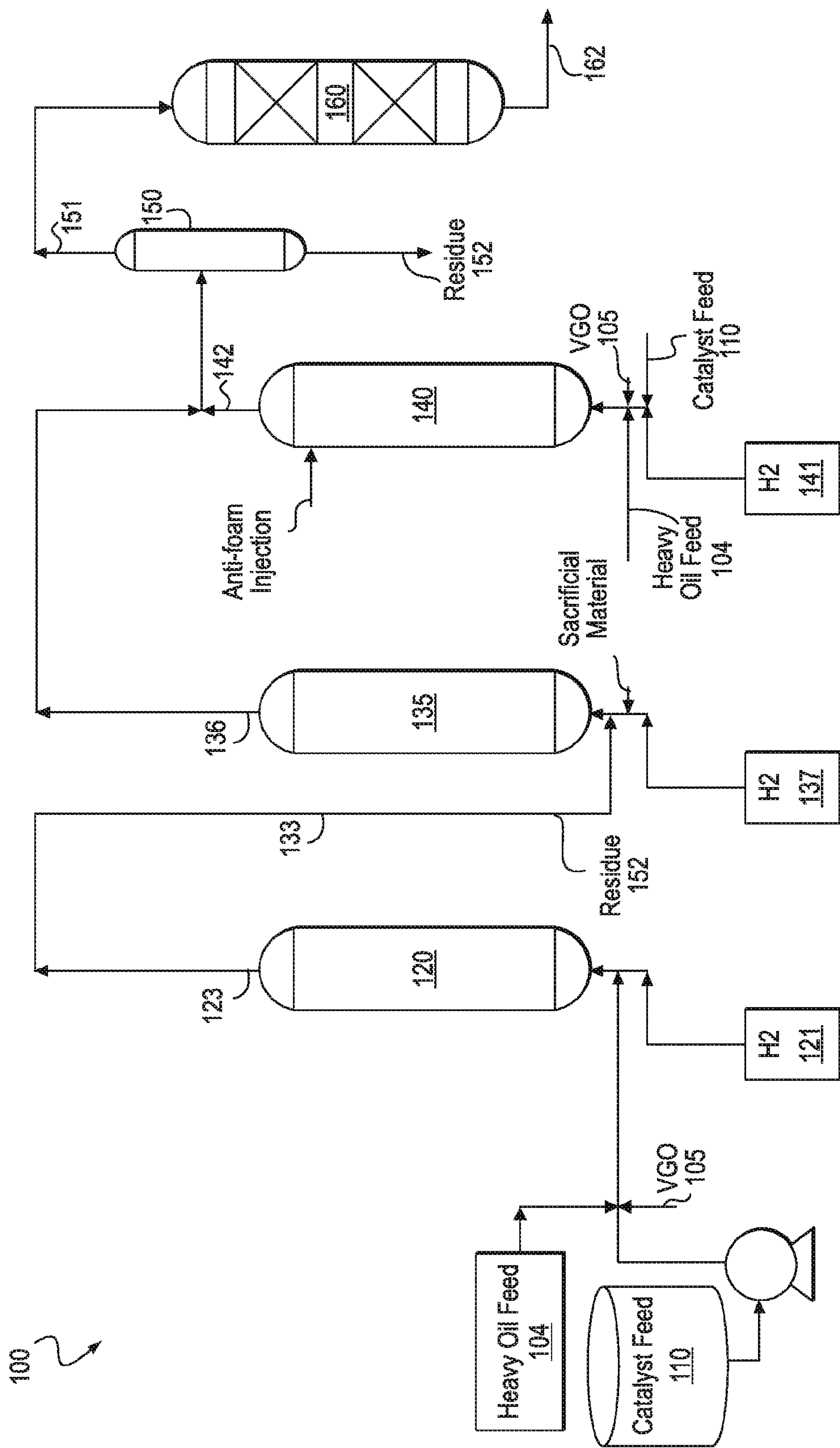


FIG. 7

