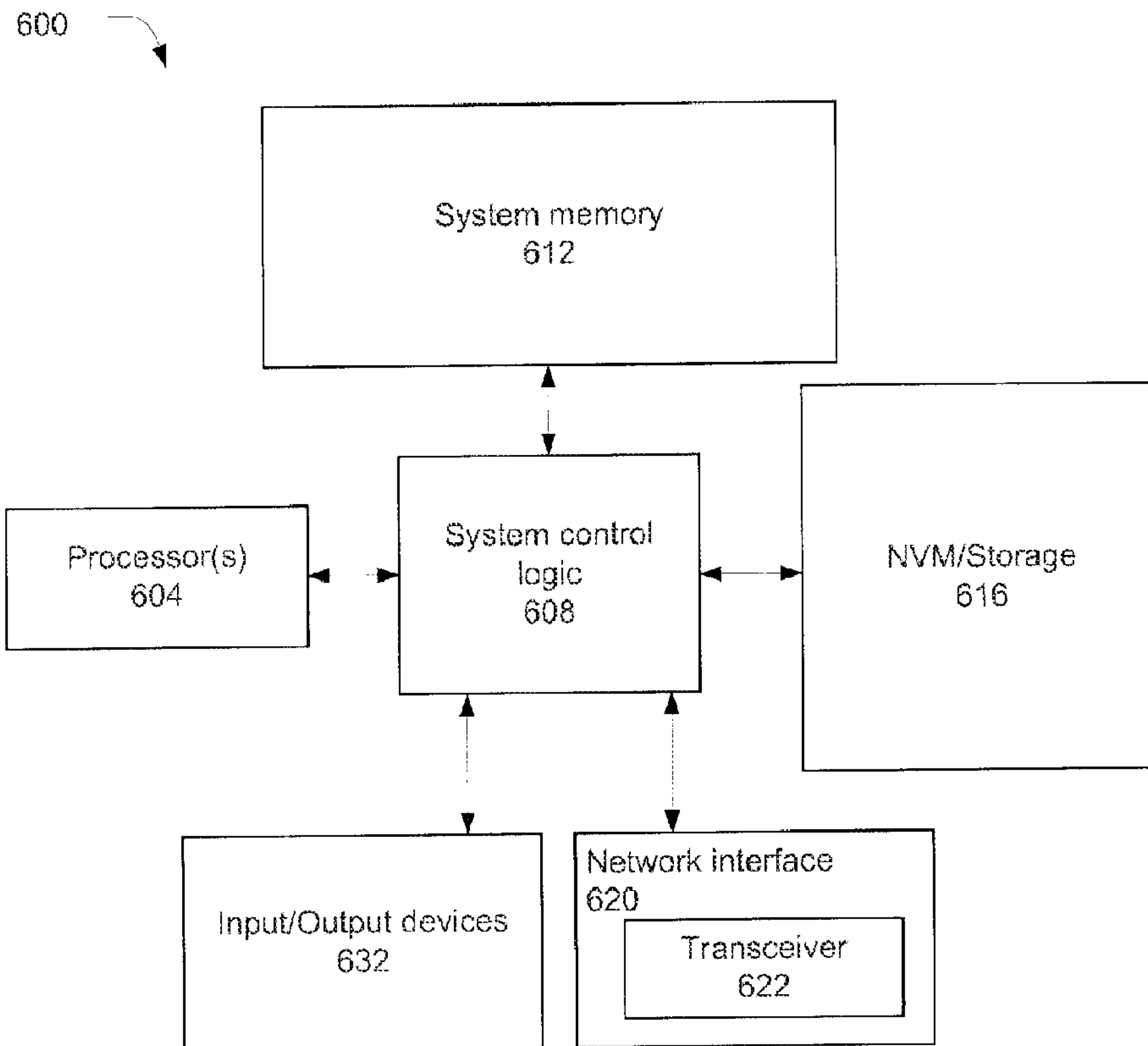




(22) Date de dépôt/Filing Date: 2012/09/27
 (41) Mise à la disp. pub./Open to Public Insp.: 2013/04/04
 (62) Demande originale/Original Application: 2 850 169
 (30) Priorités/Priorities: 2011/09/30 (US61/542,086);
 2012/06/25 (US13/531,848)

(51) Cl.Int./Int.Cl. *H04W 68/00* (2009.01)
 (71) Demandeur/Applicant:
 INTEL CORPORATION, US
 (72) Inventeurs/Inventors:
 ETEMAD, KAMRAN, US;
 ZHANG, YUJIAN, US
 (74) Agent: RICHES, MCKENZIE & HERBERT LLP

(54) Titre : CONTINUE DE SERVICE DE DIFFUSION/MULTIDIFFUSION DANS DES RESEAUX MULTI-PORTEUSES
 (54) Title: MULTICAST/BROADCAST SERVICE CONTINUITY IN MULTI-CARRIER NETWORKS



(57) **Abrégé/Abstract:**

Embodiments of the present disclosure describe devices, methods, computer-readable media and systems configurations for management and/or support of multimedia broadcast multicast service (MBMS) service in a wireless communications network. An

(57) **Abrégé(suite)/Abstract(continued):**

evolved Node B (eNB) may transmit MBMS assistance information to a user equipment (UE). The MBMS assistance information may identify a carrier by which one or more upcoming MBMS services are to be provided and an indicator of a carrier selection mode to be used by the UE. The UE may transmit an MBMS interest indication message including information related to one or more targeted MBMS services which the UE wants to receive.

Abstract

Embodiments of the present disclosure describe devices, methods, computer-readable media and systems configurations for management and/or support of multimedia broadcast multicast service (MBMS) service in a wireless communications network. An evolved Node B (eNB) may transmit MBMS assistance information to a user equipment (UE). The MBMS assistance information may identify a carrier by which one or more upcoming MBMS services are to be provided and an indicator of a carrier selection mode to be used by the UE. The UE may transmit an MBMS interest indication message including information related to one or more targeted MBMS services which the UE wants to receive.

MULTICAST/BROADCAST SERVICE CONTINUITY IN MULTI-CARRIER NETWORKS

Related Application

This application is a division of Canadian Patent Application Serial No. 2850169 which
5 is the Canadian national phase of International Application No. PCT/US2012/057483, filed 27
September 2012 and published 04 April 2013 under Publication No. WO 2013/049301.

Field

Embodiments of the present invention relate generally to the field of
communications, and more particularly, to multicast/broadcast service continuity in wireless
10 communication networks.

Background

Some wireless communications networks employ multimedia broadcast multicast
service (MBMS) to broadcast media and/or other transmissions to a plurality of user equipment
(UE). In some cases MBMS may be offered only on some carriers in multi-carrier networks.
15 Maintaining service continuity for the UE in such networks can be challenging.

Summary of the invention

Accordingly, it is an object of this invention to at least partially overcome some
of the disadvantages of the prior art.

Accordingly, in one aspect, the present invention provides apparatus to be
20 employed by a user equipment (UE), the apparatus comprising: a communications module to
communicate with an evolved NodeB (eNB) of an evolved universal terrestrial radio access
network (E-UTRAN); and a multimedia broadcast multicast service (MBMS) module to:
transmit an MBMS interest indication message, to the eNB via the communications module,
to indicate an interest in an MBMS, the MBMS interest indication message including an
25 MBMS frequency on which the UE is receiving or interested in receiving the MBMS; and
transmit another MBMS interest indication message including a null frequency if the UE is
no longer receiving or interested in receiving the MBMS.

In a further aspect, the present invention provides an apparatus to be employed
by a user equipment (UE), the apparatus comprising: a communications module to
30 communicate with an evolved NodeB (eNB) of an evolved universal terrestrial radio access

network (E-UTRAN); and a multimedia broadcast multicast service (MBMS) module to:
transmit an MBMS interest indication message, to the eNB via the communications module,
to indicate an interest in an MBMS, the MBMS interest indication message including an
MBMS frequency on which the UE is receiving or interested in receiving the MBMS and a
5 priority indicator to identify a priority of receiving the MBMS on the MBMS frequency over
receiving unicast service for the UE, wherein the priority indicator includes four bits to
indicate one of four levels of priority.

In a further aspect, the present invention provides an apparatus to be employed by
a user equipment (UE), the apparatus comprising: a communications module to communicate
10 with an evolved NodeB (eNB) of an evolved universal terrestrial radio access network (E-
UTRAN); and a multimedia broadcast multicast service (MBMS) module to: transmit an
MBMS interest indication message, to the eNB via the communications module, to indicate
an interest in an MBMS, the MBMS interest indication message including a MBMS
frequency on which the UE is receiving or interested in receiving the MBMS, wherein the
15 MBMS module is to transmit the MBMS interest indication message for the MBMS if: the
MBMS is not offered on any of one or more serving cells that are currently serving the UE;
all receivers of the UE are currently being used to receive transmissions from the serving
cells; and unicast access is permitted on the MBMS frequency of the MBMS.

In yet a further aspect, the present invention provides an apparatus to be
20 employed by a first evolved Node B (eNB), the apparatus comprising: a communications
module to communicate with a user equipment (UE) over an evolved universal terrestrial
radio access network (E-UTRAN); and a multimedia broadcast multicast service (MBMS)
module to: receive, from the UE via the communications module, a first MBMS interest
indication message including an MBMS frequency on which the UE is receiving or
25 interested in receiving an MBMS; receive, from the UE via the communications module, a
second MBMS interest indication message including a null frequency to indicate that the UE
is no longer receiving or interested in receiving the MBMS; and transfer the second MBMS
interest indication message to a second eNB of the E-UTRAN in anticipation of a handover
of the UE from the first eNB to the second eNB.

In a further aspect, the present invention provides an apparatus to be employed by an evolved Node (eNB) of an evolved universal terrestrial radio access network (E-UTRAN), comprising: a communications module to communicate with a user equipment (UE); and a multimedia broadcast multicast service (MBMS) module to transmit to the UE, via the communications module, system information that is to indicate multiple carrier frequencies by which respective MBMSs are to be provided, wherein the system information is included in a system information block transmission.

In a further aspect, the present invention provides an apparatus to be employed by a user equipment (UE), the apparatus comprising: a communications module to communicate with an evolved NodeB (eNB) of an evolved universal terrestrial radio access network (E-UTRAN); and a multimedia broadcast multicast service (MBMS) module to receive from the eNB, via the communications module, system information included in a system information block, wherein the system information is to indicate multiple carrier frequencies by which respective MBMSs are to be provided.

In a further aspect, the present invention provides a method to be performed by an evolved Node (eNB) of an evolved universal terrestrial radio access network (E-UTRAN), the method comprising: communicating with a user equipment (UE); and receiving an MBMS interest indication message from the UE to indicate the UE is receiving or interested in receiving a plurality of MBMSs, wherein MBMS interest indication message includes a priority indication to indicate a priority of the UE for MBMS reception compared with unicast reception; and receiving information indicating how many MBMSs the UE is to receive.

In yet a further aspect, the present invention provides one or more non-transitory computer-readable media having instructions, stored thereon, that, when executed cause a user equipment (UE) to: transmit to an evolved Node (eNB) of an evolved universal terrestrial radio access network (E-UTRAN) an MBMS interest indication message to indicate the UE is receiving or interested in receiving a plurality of MBMSs and to indicate a priority of the UE for reception of the plurality of MBMSs compared to reception of any unicast bearer; and transmit, to the eNB, information indicating how many MBMSs the UE is to receive.

Further aspects of the invention will become apparent upon reading the following detailed description and drawings, which illustrate the invention and preferred embodiments of the invention.

Brief Description of the Drawings

5 Embodiments will be readily understood by the following detailed description in conjunction with the accompanying drawings. To facilitate this description, like reference numerals designate like structural elements. Embodiments are illustrated by way of example and not by way of limitation in the figures of the accompanying drawings.

10 Figure 1 schematically illustrates a wireless communication network in accordance with various embodiments.

 Figure 2 is a block diagram illustrating a user equipment in accordance with various embodiments.

 Figure 3 is a block diagram illustrating a base station in accordance with various embodiments.

15 Figure 4 is a flowchart illustrating a method for supporting multimedia broadcast multicast service (MBMS) that may be performed by a user equipment in accordance with various embodiments.

20

25

Figure 5 is a flowchart illustrating a method for managing MBMS service that may be performed by a base station in accordance with various embodiments.

Figure 6 schematically depicts an example system in accordance with various embodiments.

5

Detailed Description

Illustrative embodiments of the present disclosure include, but are not limited to, methods, systems, computer-readable media, and apparatuses for multimedia broadcast multicast service (MBMS) service continuity in a wireless communication network.

10

Various aspects of the illustrative embodiments will be described using terms commonly employed by those skilled in the art to convey the substance of their work to others skilled in the art. However, it will be apparent to those skilled in the art that alternate embodiments may be practiced with only some of the described aspects. For purposes of explanation, specific numbers, materials, and configurations are set forth in order to provide a thorough understanding of the illustrative embodiments. However, it will be apparent to one skilled in the art that alternate embodiments may be practiced without the specific details. In other instances, well-known features are omitted or simplified in order not to obscure the illustrative embodiments.

15

Further, various operations will be described as multiple discrete operations, in turn, in a manner that is most helpful in understanding the illustrative embodiments; however, the order of description should not be construed as to imply that these operations are necessarily order dependent. In particular, these operations need not be performed in the order of presentation.

20

The phrase “in some embodiments” is used repeatedly. The phrase generally does not refer to the same embodiments; however, it may. The terms “comprising,” “having,” and “including” are synonymous, unless the context dictates otherwise. The phrase “A and/or B” means (A), (B), or (A and B). The phrase “A/B” means (A), (B), or (A and B), similar to the phrase “A and/or B”. The phrase “at least one of A, B and C” means (A), (B), (C), (A and B), (A and C), (B and C) or (A, B and C). The phrase “(A) B” means (B) or (A and B), that is, A is optional.

25

Although specific embodiments have been illustrated and described herein, it will be appreciated by those of ordinary skill in the art that a wide variety of alternate and/or equivalent implementations may be substituted for the specific embodiments shown and described, without departing from the scope of the embodiments of the present

disclosure. This application is intended to cover any adaptations or variations of the embodiments discussed herein. Therefore, it is manifestly intended that the embodiments of the present disclosure be limited only by the claims and the equivalents thereof.

As used herein, the term “module” may refer to, be part of, or include an
5 Application Specific Integrated Circuit (ASIC), an electronic circuit, a processor (shared, dedicated, or group) and/or memory (shared, dedicated, or group) that execute one or more software or firmware programs, a combinational logic circuit, and/or other suitable components that provide the described functionality.

Figure 1 schematically illustrates a wireless communication network 100 in
10 accordance with various embodiments. Wireless communication network 100 (hereinafter “network 100”) may be an access network of a 3rd Generation Partnership Project (3GPP) long-term evolution (LTE) network such as evolved universal mobile telecommunication system (UMTS) terrestrial radio access network (E-UTRAN). The network 100 may include a base station, e.g., enhanced node base station (eNB) 104, configured to
15 wirelessly communicate with user equipment (UE) 108.

At least initially, the eNB 104 may have an established wireless connection with the UE 108. The network 100 may further include one or more additional eNB's, such as eNB 112. The eNBs may each have generally the same transmission power capabilities as one another or, alternatively, some of the eNBs may have relatively lower
20 transmission power capabilities. For example, in one embodiment the eNB 104 may be a relatively low-power base station such as a pico eNB, femto eNB, and/or Home eNB (HeNB) configured to communicate with the UE 108 within a first area 116, while the eNB 112 may be a relatively high-power base station such as a macro eNB configured to communicate within a second area 120 that is larger than the first area 116. In some
25 embodiments, eNB 104 may be a closed subscriber group eNB.

As shown in Figure 2, the UE 108 may include a communications module 224 and an MBMS module 228. The communications module 224 may be further coupled with one or more of a plurality of antennas 232 of the UE 108 for communicating wirelessly over network 100.

30 The UE 108 may include any suitable number of antennas 232. In various embodiments, the UE 108 may include at least as many antennas 232 as a number of simultaneous spatial layers or streams received by the UE 108 from the eNBs 104 and/or 112, although the scope of the present disclosure may not be limited in this respect. The number of simultaneous spatial layers or streams may also be referred to as transmission

rank, or simply rank.

One or more of the antennas 232 may be alternately used as transmit or receive antennas. Alternatively, or additionally, one or more of the antennas 232 may be dedicated receive antennas or dedicated transmit antennas.

5 As shown in Figure 3, eNB 104 may include a communications module 336 and an MBMS module 340 coupled with one another at least as shown. The communications module 336 may be further coupled with one or more of a plurality of antennas 344 of the eNB 104. The communications module 336 may communicate (e.g., transmit and/or receive) with one or more UEs (e.g., UE 108). In various embodiments, 10 the eNB 104 may include at least as many antennas 344 as a number of simultaneous transmission streams transmitted to the UE 108, although the scope of the present disclosure may not be limited in this respect. One or more of the antennas 344 may be alternately used as transmit or receive antennas. Alternatively, or additionally, one or more of the antennas 344 may be dedicated receive antennas or dedicated transmit 15 antennas. Alternatively, or additionally, one or more of the antennas 344 may alternate between communicating in one or more cells 116a-c.

In some embodiments, the eNB 112 may have similar modules/components as eNB 104.

In various embodiments, the MBMS module 340 of the eNB 104 may 20 transmit, via the communications module 336, MBMS assistance information to the UE 108. In some embodiments, the MBMS assistance information may be included in a system information block (SIB) transmission. The MBMS assistance information may identify a carrier by which one or more upcoming MBMS services are to be provided. In some embodiments, the MBMS assistance information may include a frequency indicator 25 to identify the carrier. The frequency indicator may be a numerical value of the frequency of the carrier and/or an index corresponding to the carrier.

The MBMS assistance information may further include an indicator of a carrier selection mode to be used by the UE 108. In some embodiments, the carrier selection mode may be a first selection mode that prioritizes selection of carriers that 30 provide MBMS services or a second selection mode that prioritizes carriers based on signal quality (e.g., without regard to whether the carrier offers MBMS services). This carrier selection mode indicator may be used to manage loading of the carriers. With either selection mode, the UE 108 may receive the MBMS service on a “best effort” basis.

For example, if there is low congestion on the MBMS-bearing carrier, the

carrier selection mode may be set to the first selection mode and the UE 108 may prioritize the MBMS-bearing carrier if the UE 108 wishes to receive MBMS services. The UE 108 may also receive unicast service on the MBMS-bearing carrier. If there is high congestion, the carrier selection mode may be set to the second selection mode so that the UE 108 will prioritize carriers based on signal quality without regard to whether the carrier transmits MBMS. In that case, the UE 108 may select an MBMS-bearing carrier or a non-MBMS carrier for unicast service, for example based on relative signal quality. The UE 108 may still receive the MBMS service based on a “best effort,” for example, if the UE 108 selects the MBMS-bearing carrier for unicast service and/or the UE 108 has another receiver to receive MBMS service.

In some embodiments, the MBMS assistance information may further include a non-MBMS restriction indicator of whether the carrier is restricted for non-MBMS access. If the carrier is restricted for non-MBMS access, the UE 108 may receive the MBMS transmission on that carrier, but may not interact with the cell that transmits the MBMS (e.g., eNB 112) on that carrier. This may facilitate management of loading on the MBMS-bearing carriers and/or cooperation between the serving eNB (e.g., eNB 104) and the MBMS-transmitting eNB (e.g., eNB 112).

In some embodiments, the MBMS assistance information transmitted by eNB 104 may include information about MBMS services transmitted by another eNB (e.g., eNB 112). In one embodiment, the network 100 may include higher power eNBs (e.g., eNB 112 in Figure 1) that transmit MBMS services (in addition to providing unicast services), and lower power eNBs (e.g., eNB 104 in Figure 1) that provide unicast service but do not transmit MBMS services. The UE 108 may receive the MBMS assistance information from any of the eNBs of the network 100, whether or not the eNB provides the MBMS services. For example, the UE 108 may receive the MBMS assistance information from the serving eNB that is currently associated with the UE 108. This may facilitate service continuity for the UE 108.

In some embodiments, the MBMS assistance information may include information for multiple alternative MBMS-bearing carriers. The multiple alternative MBMS-bearing carriers may be transmitted by the same eNB or different eNBs.

In some embodiments, the eNB 104 may transmit MBMS assistance information for MBMS services transmitted by a different provider of wireless communications services than the provider associated with the eNB 104. For example, the eNB 104 may be associated with a first provider, and the eNB 112 may be associated with

a second provider. The first provider may have an agreement with the second provider for the second provider to provide MBMS services for customers of the first provider. Accordingly, the eNB 104 may transmit MBMS assistance information for MBMS services transmitted by the second provider which are available to the UE 108.

5 In some embodiments, the MBMS assistance information transmitted to the UE 108 by the serving eNB 104 about MBMS services carried by another eNB (e.g., eNB 112) may also include information captured in SIB13, as defined by LTE Release 9 and LTE Release 10. In that case, the UE 108, using the information obtained from the serving eNB 104, may directly find the location of MCH on the host eNB 112 and process
10 it without reading any system information from the host eNB 112.

In some embodiments, the MBMS related information may be broadcast by serving eNB 104 using as an extension of SIB13 by indicating relevance of included information to one or more alternative carriers.

In various embodiments, the UE 108 (e.g., the MBMS module 228 in
15 conjunction with the communications module 224) may transmit an MBMS interest indication message to the eNB 104. In some embodiments, the MBMS interest indication message may be transmitted via radio resource control (RRC) signaling.

The MBMS interest indication message may include information related to one or more targeted MBMS services which the UE wants to receive. In some
20 embodiments, the UE may receive an electronic service guide that includes information related to upcoming MBMS services offered in the network 100. The UE may select the one or more targeted MBMS services from the upcoming MBMS services included in the electronic service guide.

In some embodiments, the MBMS interest indication message may include
25 a frequency of the individual targeted MBMS services. The MBMS interest indication message may include a frequency field that includes the frequency of the targeted MBMS services. In some embodiments, multiple MBMS services may be offered on the same carrier frequency. Alternatively, the frequency field may include a null value if there are no targeted MBMS services.

30 In various embodiments, the MBMS interest indication message may include information related to which subframes of the MBMS-bearing carrier are used to transmit the MBMS service. For example, the MBMS interest indication message may include one or more MBMS identifiers, such as a multicast-broadcast single frequency network (MBSFN) area identity, a temporary mobile group identity (TMGI), and/or a

service identity of the targeted MBMS services. Alternatively, or additionally, the MBMS interest indication message may include multicast channel (MCH) information to identify subframes of the carrier frequency on which the targeted MBMS services are transmitted.

The eNB 104 may use the MBMS identifier and/or MCH information to
5 determine which subframes of the carrier frequency are occupied by transmissions of the targeted MBMS services. The eNB 104 may make scheduling decisions and/or configure inter-frequency measurements based on the content of the MBMS interest indication message. For example, in some embodiments, the eNB 104 may schedule other transmissions and/or measurements (such as inter-frequency measurements) for the UE
10 108 on subframes of the carrier frequency that are not used for the targeted MBMS services.

In some embodiments, the UE 108 may use the same processor resources to process MBMS service and unicast service. The eNB 104 may take this into account when making scheduling decisions. For example, the MBMS interest indication message
15 may indicate a percentage of the UE 108's processing power that is consumed/remains and/or expected to be consumed/remain due to the targeted MBMS services. Additionally, or alternatively, the the UE 108 may indicate how many MBMS services the UE 108 is to receive concurrently (e.g., 1 or 2).

In some embodiments, the MBMS interest indication message may include
20 a data processing headroom information element to indicate a level of data processing capacity of the UE 108. For example, the data processing headroom information element may include a Boolean value to indicate whether the UE 108 has reached a threshold data processing capacity or not (e.g., due to MCH reception). Alternatively, the data processing headroom information element may include multiple bits to indicate how much
25 data processing capacity the UE 108 has left for unicast data.

The eNB 104 may use the data processing capacity information to avoid scheduling unicast data for the UE 108 concurrent with MBMS services that would exceed the total data processing power of the UE 108. In some embodiments, the total data processing power may be signaled separately to the eNB 104 as part of a UE
30 category/capability.

In some embodiments, the MBMS interest indication message may include an MBMS-selection indicator to indicate whether the UE 108 is capable of receiving unicast service on the MBMS-bearing carrier frequency. The eNB 104 may use this indicator to make scheduling decisions for the UE 108.

In some embodiments, the MBMS interest indication may include a priority indicator to identify the UE 108's priority for receiving the targeted MBMS services compared with receiving unicast service. In some embodiments, the priority indicator may be set by a user of the UE 108.

5 In some embodiments, the priority indicator may be a single bit to indicate if MBMS service or unicast service is prioritized. In other embodiments, the priority indicator may include multiple bits to allow for multiple levels of priority. For example, a two-bit priority indicator may be used to indicate one of four levels of priority for the UE 108.

10 The four levels of priority may include a first level of priority in which the UE 108 is to receive MBMS service only and disconnect from all non-MBMS services. Accordingly, all non-MBMS services may be released by the network 100 and the UE 108 may be considered detached from the network 100. The UE 108 may perform a reconnection process to reconnect to the network 100 and resume unicast service.

15 In a second level of priority, MBMS may be given priority with unicast in idle. Under the second level of priority, all ongoing non-MBMS services may be released by the network 100, and the UE 108 goes into an idle mode. Paging messages may still be received by the UE 108 (e.g., for priority services).

20 In a third level of priority, MBMS may be given priority, but the UE 108 may maintain unicast services on a "best effort" basis. The network 100 may release all guaranteed bit rate (GBR) connections with the UE 108.

In a fourth level of priority, MBMS may be given low priority (e.g., unicast may be given priority over MBMS service). MBMS service may be accommodated only if there is no impact on unicast services, including GBR service.

25 In some embodiments, one priority indicator may be provided in the MBMS interest indication message that applies to all of the targeted MBMS services included in the message. In other embodiments, the MBMS interest indication message may include separate priority indicators for the individual targeted MBMS services.

30 In some embodiments, the MBMS interest indication may also indicate a relative priority among multiple targeted MBMS services. For example, the targeted services may be listed in the MBMS interest indication message in the order of their priority.

In various embodiments, the UE 108 may transmit the MBMS interest indication message to the eNB 104 only if one or more conditions are met. For example,

the UE 108 may transmit the MBMS interest indication message if the targeted MBMS service is not offered on any of one or more serving cells that are currently serving the UE, all receivers of the UE are currently being used to receive transmissions from the serving cells, and unicast is permitted on the carrier frequency of the targeted MBMS service. The
5 UE 108 may send another MBMS interest indication message if the identity and/or priority of the targeted MBMS services changes. Limiting the frequency of transmission of the MBMS interest indication message may reduce signal congestion.

Additionally, or alternatively, the UE 108 may send MBMS interest indication messages including the data processing headroom information element when
10 changes occur to the remaining data processing capacity of the UE 108 (e.g., if the UE 108 stops receiving one or more MBMS transmissions). In some embodiments, the UE 108 may only update the eNB 104 about changes to the UE 108's data processing capacity if the change is above a threshold amount. Additionally, or alternatively, a threshold may be set below which changes to the processing capacity may not be indicated to the eNB 104.

15 In some embodiments, one or more of the parameters indicated by the MBMS interest indication message may be passed from a source eNB to a target eNB during handover of the UE 108 from the source eNB to the target eNB.

Figure 4 illustrates a method 400 of supporting MBMS service in accordance with various embodiments. Method 400 may be performed by a UE, such as
20 UE 108. In some embodiments, the UE may include and/or have access to one or more computer-readable media having instructions stored thereon, that, when executed, cause the UE to perform the method 400.

At 404, the UE may receive MBMS assistance information from an eNB (e.g., eNB 104). In some embodiments, the MBMS assistance information may be
25 included in an SIB transmission. The MBMS assistance information may include a frequency of one or more MBMS carriers on which MBMS services are to be transmitted, an indicator of a carrier selection mode to be used by the UE, and an indicator of whether non-MBMS access to the MBMS carrier is permitted. The carrier selection mode may be a first selection mode that prioritizes selection of carriers that provide MBMS services or a
30 second selection mode that prioritizes carriers based on signal quality.

In some embodiments, the MBMS carriers may be transmitted by a different eNB than the eNB from which the UE receives the MBMS assistance information. For example, the UE may receive the MBMS assistance information from a serving eNB. The serving eNB may or may not transmit MBMS carriers. In some

embodiments, the serving eNB may be a relatively low power eNB (e.g., a pico eNB and/or an HeNB) and/or a closed subscriber group eNB.

At 408, the UE may receive one or more MBMS services based on the received MBMS assistance information. The UE may select one or more targeted MBMS services that the UE wishes to receive. For example, the targeted MBMS services may be selected by the user of the UE. The UE may then use the information included in the MBMS assistance information to receive the targeted MBMS services.

Figure 5 illustrates a method 500 of managing MBMS service with a UE (e.g., UE 108) in accordance with various embodiments. Method 500 may be performed by an eNB, such as eNB 104. In some embodiments, the eNB may include and/or have access to one or more computer-readable media having instructions stored thereon, that, when executed, cause the eNB to perform the method 500.

At 504, the eNB may receive an MBMS interest indication message from a UE including information related to a targeted MBMS service which the UE wants to receive. For example, the MBMS interest indication message may include MCH information that identifies the resources (e.g., subframes) of the MBMS carrier that are used for the targeted MBMS service. The MBMS interest indication message may include a frequency field that identifies the frequency of the MBMS carrier on which the targeted MBMS service is to be transmitted. In some embodiments, the frequency field may include a null value to indicate that there are no targeted MBMS services for the UE or UE is no longer interested in any on going to upcoming MBMS service.

The MBMS interest indication message may include further information as discussed herein. For example, the MBMS interest indication message may include an MBSFN area identity, a TMGI, and/or a service identity of the targeted MBMS service. Additionally, or alternatively, the MBMS interest indication message may include a priority indicator to identify a priority of receiving the targeted MBMS service compared with receiving unicast service for the UE.

In some embodiments, the MBMS interest indication message may be sent if one or more conditions are met, as discussed herein. The MBMS interest indication message may be received via RRC signaling.

At 508, the eNB may manage communications with the UE based on the MBMS interest indication message. For example, the eNB may schedule transmissions and/or measurements for the UE on resources of the MBMS carrier on which the MCH for the targeted MBMS service is not transmitted.

The eNB 104/112 and/or UE 108 described herein may be implemented into a system using any suitable hardware and/or software to configure as desired. Figure 6 illustrates, for one embodiment, an example system 600 comprising one or more processor(s) 604, system control logic 608 coupled with at least one of the processor(s) 604, system memory 612 coupled with system control logic 608, non-volatile memory (NVM)/storage 616 coupled with system control logic 608, a network interface 620 coupled with system control logic 608, and input/output (I/O) devices 632 coupled with system control logic 608.

The processor(s) 604 may include one or more single-core or multi-core processors. The processor(s) 604 may include any combination of general-purpose processors and dedicated processors (e.g., graphics processors, application processors, baseband processors, etc.).

System control logic 608 for one embodiment may include any suitable interface controllers to provide for any suitable interface to at least one of the processor(s) 604 and/or to any suitable device or component in communication with system control logic 608.

System control logic 608 for one embodiment may include one or more memory controller(s) to provide an interface to system memory 612. System memory 612 may be used to load and store data and/or instructions, for example, for system 600. System memory 612 for one embodiment may include any suitable volatile memory, such as suitable dynamic random access memory (DRAM), for example.

NVM/storage 616 may include one or more tangible, non-transitory computer-readable media used to store data and/or instructions, for example. NVM/storage 616 may include any suitable non-volatile memory, such as flash memory, for example, and/or may include any suitable non-volatile storage device(s), such as one or more hard disk drive(s) (HDD(s)), one or more compact disk (CD) drive(s), and/or one or more digital versatile disk (DVD) drive(s), for example.

The NVM/storage 616 may include a storage resource physically part of a device on which the system 600 is installed or it may be accessible by, but not necessarily a part of, the device. For example, the NVM/storage 616 may be accessed over a network via the network interface 620 and/or over Input/Output (I/O) devices 632.

Network interface 620 may have a transceiver 622 to provide a radio interface for system 600 to communicate over one or more network(s) and/or with any other suitable device. The transceiver 622 may implement communications module 224.

In various embodiments, the transceiver 622 may be integrated with other components of system 600. For example, the transceiver 622 may include a processor of the processor(s) 604, memory of the system memory 612, and NVM/Storage of NVM/Storage 616.

5 Network interface 620 may include any suitable hardware and/or firmware. Network interface 620 may include a plurality of antennas to provide a multiple input, multiple output radio interface. Network interface 620 for one embodiment may include, for example, a wired network adapter, a wireless network adapter, a telephone modem, and/or a wireless modem.

10 For one embodiment, at least one of the processor(s) 604 may be packaged together with logic for one or more controller(s) of system control logic 608. For one embodiment, at least one of the processor(s) 604 may be packaged together with logic for one or more controllers of system control logic 608 to form a System in Package (SiP). For one embodiment, at least one of the processor(s) 604 may be integrated on the same die with logic for one or more controller(s) of system control logic 608. For one
15 embodiment, at least one of the processor(s) 604 may be integrated on the same die with logic for one or more controller(s) of system control logic 608 to form a System on Chip (SoC).

20 In various embodiments, the I/O devices 632 may include user interfaces designed to enable user interaction with the system 600, peripheral component interfaces designed to enable peripheral component interaction with the system 600, and/or sensors designed to determine environmental conditions and/or location information related to the system 600.

25 In various embodiments, the user interfaces could include, but are not limited to, a display (e.g., a liquid crystal display, a touch screen display, etc.), a speaker, a microphone, one or more cameras (e.g., a still camera and/or a video camera), a flashlight (e.g., a light emitting diode flash), and a keyboard.

In various embodiments, the peripheral component interfaces may include, but are not limited to, a non-volatile memory port, a universal serial bus (USB) port, an audio jack, and a power supply interface.

30 In various embodiments, the sensors may include, but are not limited to, a gyro sensor, an accelerometer, a proximity sensor, an ambient light sensor, and a positioning unit. The positioning unit may also be part of, or interact with, the network interface 620 to communicate with components of a positioning network, e.g., a global positioning system (GPS) satellite.

In various embodiments, the system 600 may be a mobile computing device such as, but not limited to, a laptop computing device, a tablet computing device, a netbook, a smartphone, etc. In various embodiments, system 600 may have more or less components, and/or different architectures.

5 Although certain embodiments have been illustrated and described herein for purposes of description, a wide variety of alternate and/or equivalent embodiments or implementations calculated to achieve the same purposes may be substituted for the embodiments shown and described without departing from the scope of the present disclosure. This application is intended to cover any adaptations or variations of the
10 embodiments discussed herein. Therefore, it is manifestly intended that embodiments described herein be limited only by the claims and the equivalents thereof.

The embodiments of the invention in which an exclusive property or privilege is claimed are defined as follows:

1. An apparatus to be employed by an evolved Node (eNB) of an evolved universal
5 terrestrial radio access network (E-UTRAN), comprising:
a communications module to communicate with a user equipment (UE); and
a multimedia broadcast multicast service (MBMS) module to transmit to the UE,
via the communications module, system information that is to indicate multiple carrier
frequencies by which respective MBMSs are to be provided, wherein the system
10 information is included in a system information block transmission.
2. The apparatus of claim 1, wherein the system information further includes
information on multiple alternative carrier frequencies by which a same MBMS is to be
provided.
3. The apparatus of claim 2, wherein the system information is to comprise indexes of
15 the multiple alternative carrier frequencies.
4. The apparatus of claim 1, wherein the system information further includes an
indicator of a carrier selection mode to be used by the UE, wherein the carrier selection
mode is a selected one of a first selection mode that prioritizes selection of carrier
frequencies that provide MBMSs or a second selection mode that prioritizes selection of
20 carrier frequencies based on signal quality without regard to whether the carrier frequency
transmits MBMS.
5. The apparatus of claim 1, wherein the MBMS module is further to:
receive from the UE, via the communications module, an MBMS interest indication
message to indicate a plurality of the carrier frequencies by which the UE is receiving or is
25 interested to receive two or more of the plurality of MBMSs, wherein the MBMS interest
indication message further includes a priority indicator to indicate a priority of the UE for
reception of all the frequency carriers indicated in the MBMS interest indication message
compared to reception of any unicast bearer; and

receive from the UE, via the communications module, information indicating how many MBMSs the UE is to receive.

6. The apparatus of claim 1, further comprising:

one or more antennas coupled to the communication module.

5 7. An apparatus to be employed by a user equipment (UE), the apparatus comprising:
a communications module to communicate with an evolved NodeB (eNB) of an evolved universal terrestrial radio access network (E-UTRAN); and

10 a multimedia broadcast multicast service (MBMS) module to receive from the eNB, via the communications module, system information included in a system information block, wherein the system information is to indicate multiple carrier frequencies by which respective MBMSs are to be provided.

15 8. The apparatus of claim 7, wherein the MBMS module is further to transmit to the eNB, via the communication module, an MBMS interest indication message to indicate a plurality of the carrier frequencies by which the UE is receiving or interested to receive said MBMSs, wherein the MBMS interest indication message further includes a priority indicator to indicate a priority of the UE for reception of all the carrier frequencies indicated by the MBMS interest indication message compared to reception of any unicast bearer, and wherein the UE is further to transmit information indicating how many MBMSs the UE is to receive.

20 9. The apparatus of claim 8, wherein the MBMS is further to transmit to the eNB, via the communication module, another MBMS interest indication message having a null frequency if the UE is no longer receiving or interested in receiving any of the MBMSs.

25 10. The apparatus of claim 8, wherein the MBMS interest indication message comprises a single bit to indicate whether the UE is to prioritize reception of all the indicated MBMS carrier frequencies compared to reception of any unicast bearer.

11. The apparatus of claim 8, wherein the MBMS interest indication message further includes:

an MBMS identifier of MBMSs the UE is receiving or interested to receive; or
a temporary mobile group identity (TMGI) of the MBMSs the UE is receiving or
interested to receive.

12. The apparatus of claim 8, wherein the MBMS module is to transmit the MBMS
5 interest indication message via radio resource control (RRC) signaling.
13. The apparatus of claim 7, wherein the MBMS module is further to indicate to the
eNB, via the communications module, capability information of the UE associated with
MBMS reception.
14. The apparatus of claim 7, further comprising:
10 at least one of a touchscreen display and one or more cameras.
15. A method to be performed by an evolved Node (eNB) of an evolved universal
terrestrial radio access network (E-UTRAN), the method comprising:
communicating with a user equipment (UE); and
receiving an MBMS interest indication message from the UE to indicate the UE is
15 receiving or interested in receiving a plurality of MBMSs, wherein MBMS interest
indication message includes a priority indication to indicate a priority of the UE for MBMS
reception compared with unicast reception; and
receiving information indicating how many MBMSs the UE is to receive.
16. The method of claim 15, further comprising releasing a unicast service associated
20 with the UE if the UE prioritizes the MBMS reception over the unicast reception.
17. The method of claim 15, further comprising obtaining capability information of the
UE associated with the MBMS reception.
18. The method of claim 17, wherein the capability information indicates whether the
UE is capable of receiving a unicast service concurrently with the plurality of MBMSs.

19. The method of claim 15, wherein the eNB is a source eNB, and wherein the method further comprises passing the MBMS interest indication message from the source eNB to a target eNB during handover of the UE from the source eNB to the target eNB.

20. The method of claim 15, wherein the MBMS interest indication message is to indicate respective carrier frequencies on which the UE is to receive the plurality of MBMSs; and

wherein the method further comprises receiving another MBMS interest indication message including a null frequency to indicate that the UE is no longer receiving or interested in receiving the plurality of MBMSs.

21. One or more non-transitory computer-readable media having instructions, stored thereon, that, when executed cause a user equipment (UE) to:

transmit to an evolved Node (eNB) of an evolved universal terrestrial radio access network (E-UTRAN) an MBMS interest indication message to indicate the UE is receiving or interested in receiving a plurality of MBMSs and to indicate a priority of the UE for reception of the plurality of MBMSs compared to reception of any unicast bearer; and

transmit, to the eNB, information indicating how many MBMSs the UE is to receive.

22. The one or more computer-readable media of claim 21, wherein the MBMS interest indication message is to indicate carrier frequencies by which respective MBMSs of the plurality of MBMSs are to be provided.

23. The one or more computer-readable media of claim 22, wherein the instructions, when executed, further cause the UE to:

transmit to the eNB another MBMS interest indication message including a null frequency to indicate that the UE is no longer receiving or interested in receiving the one or more MBMSs.

24. The one or more computer-readable media of claim 21, wherein the MBMS interest indication message includes respective MBMS identifiers of the plurality of MBMSs.

25. The one or more computer-readable media of claim 21, wherein the MBMS interest indication message includes respective temporary mobile group identities (TMGIs) of the plurality of MBMSs.

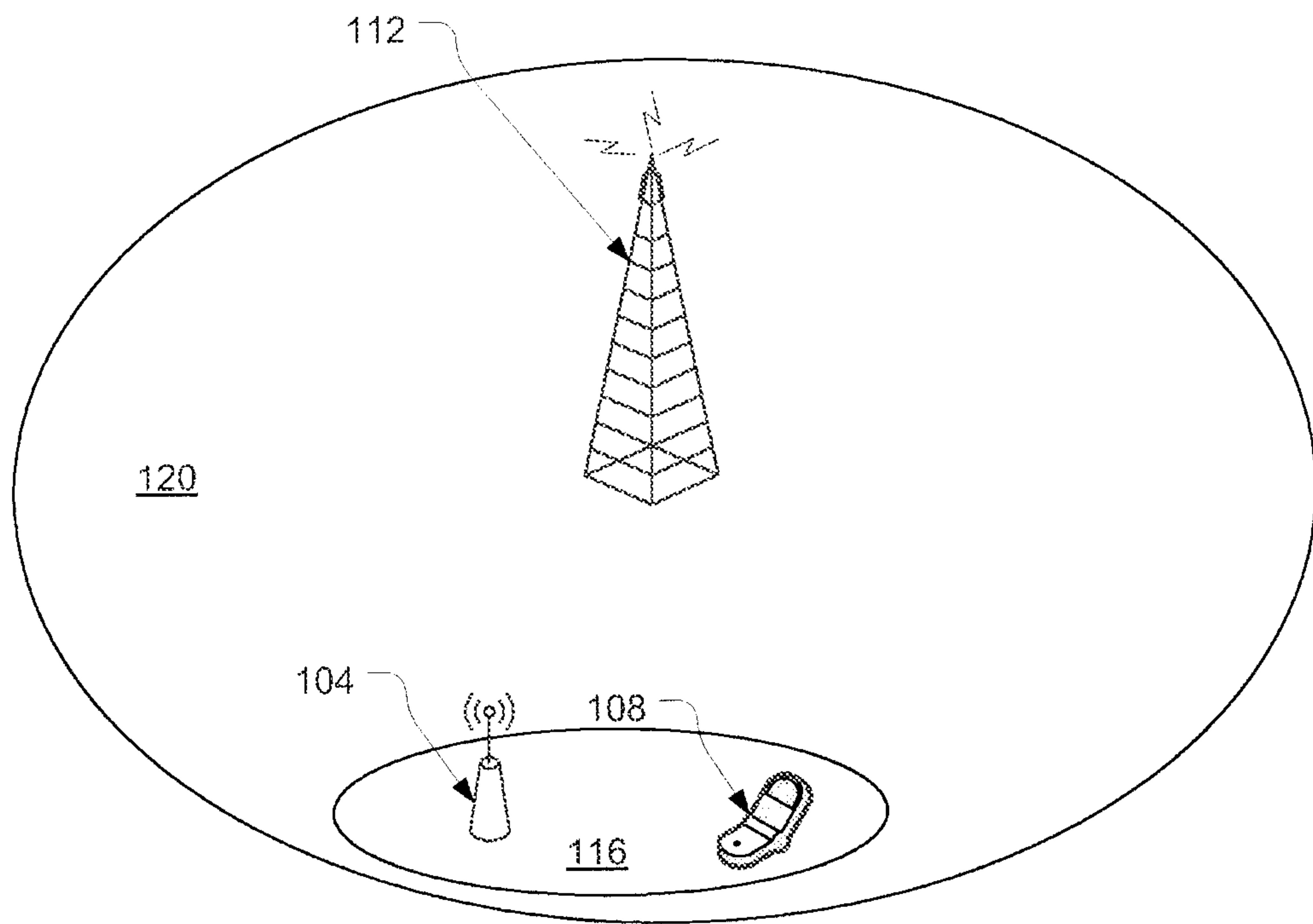


Figure 1

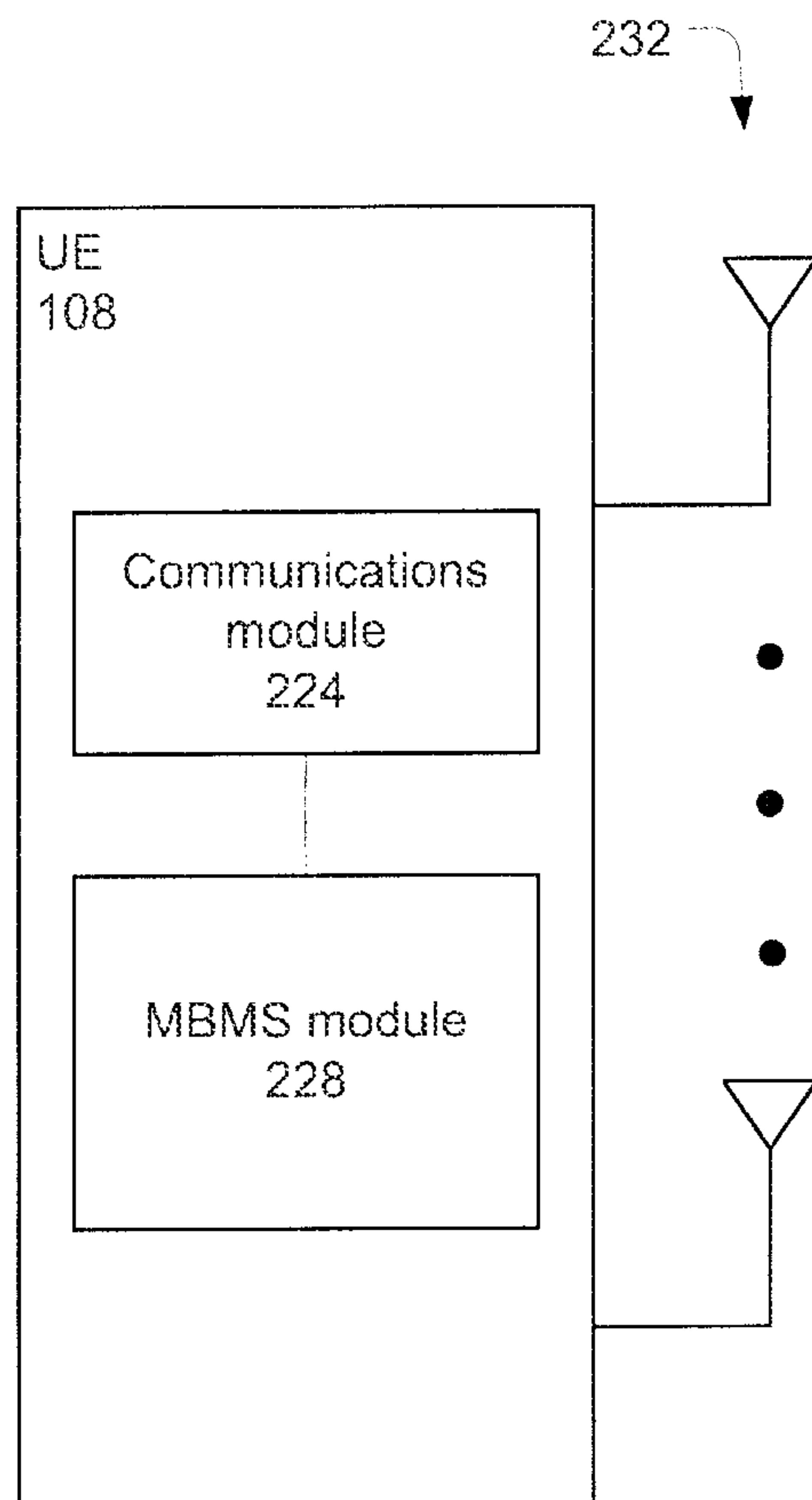


Figure 2

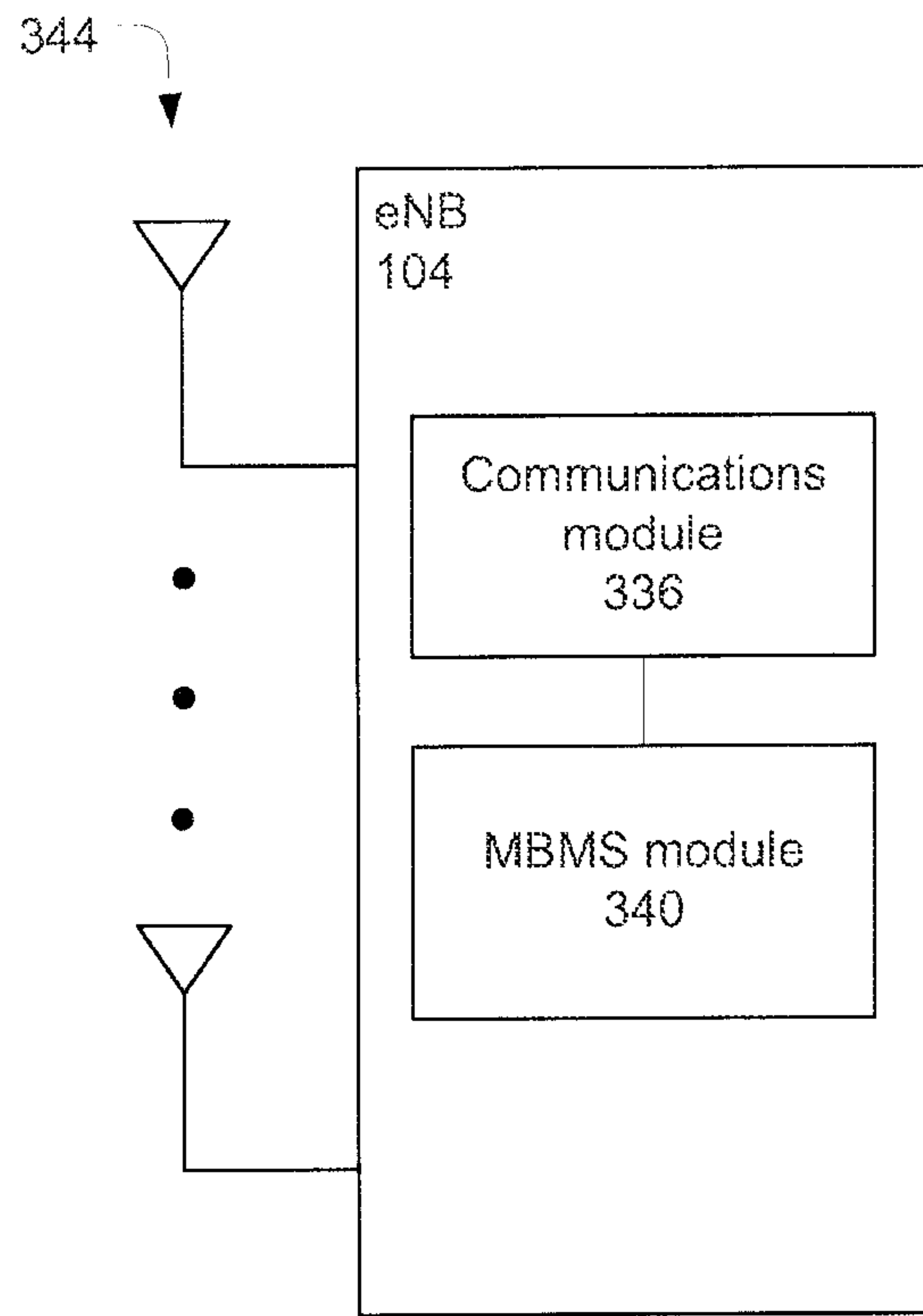


Figure 3

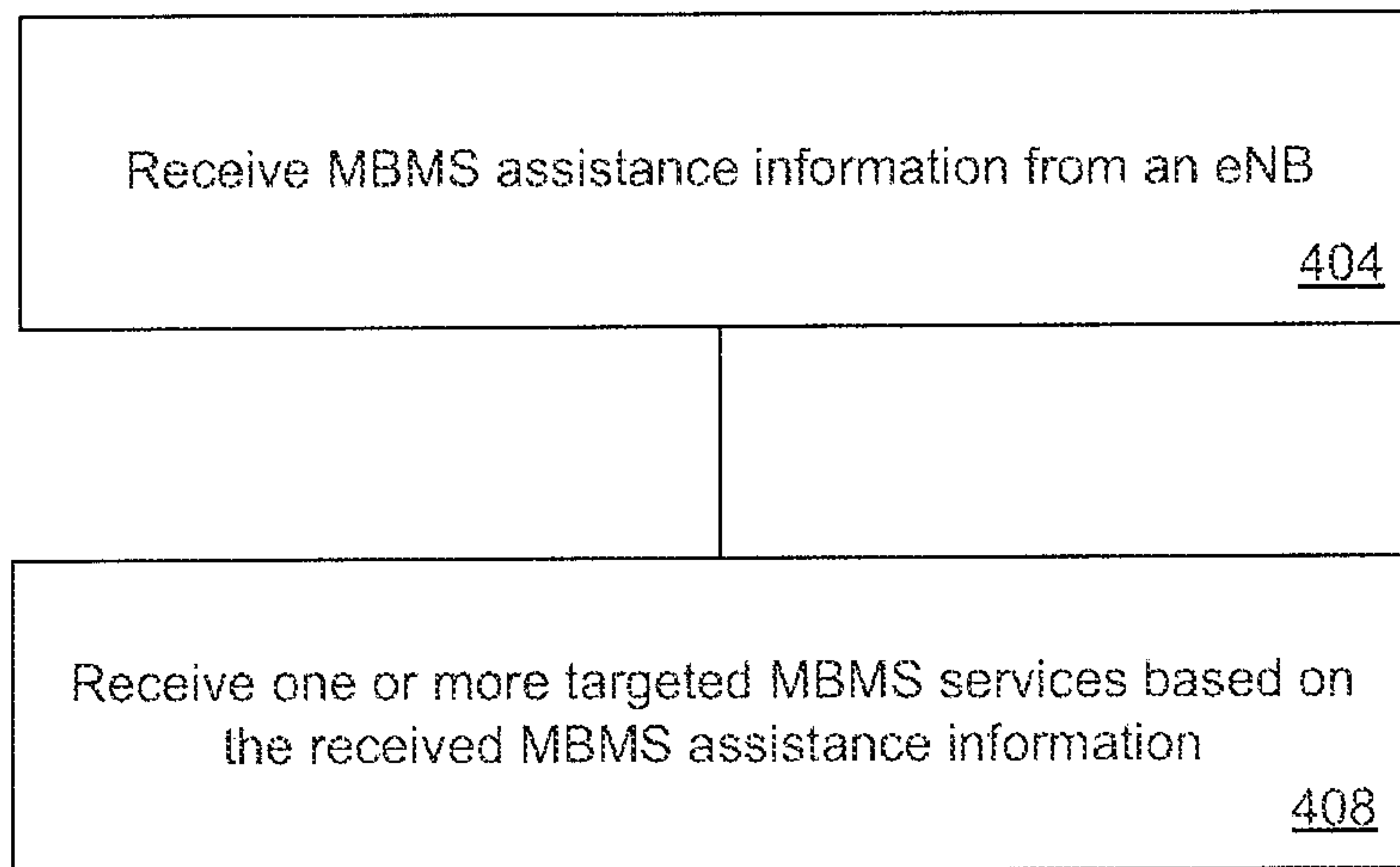


Figure 4

5/6

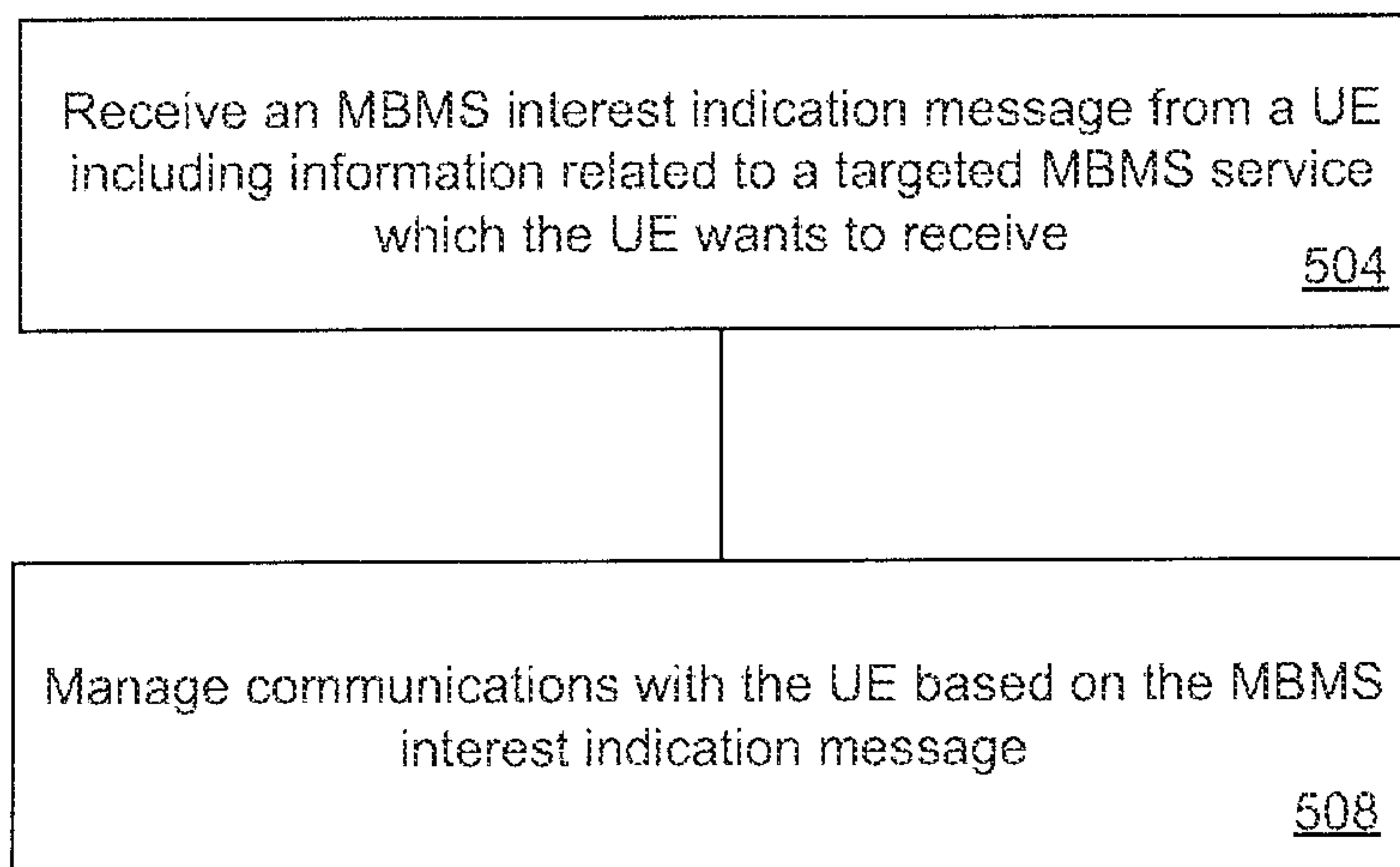


Figure 5

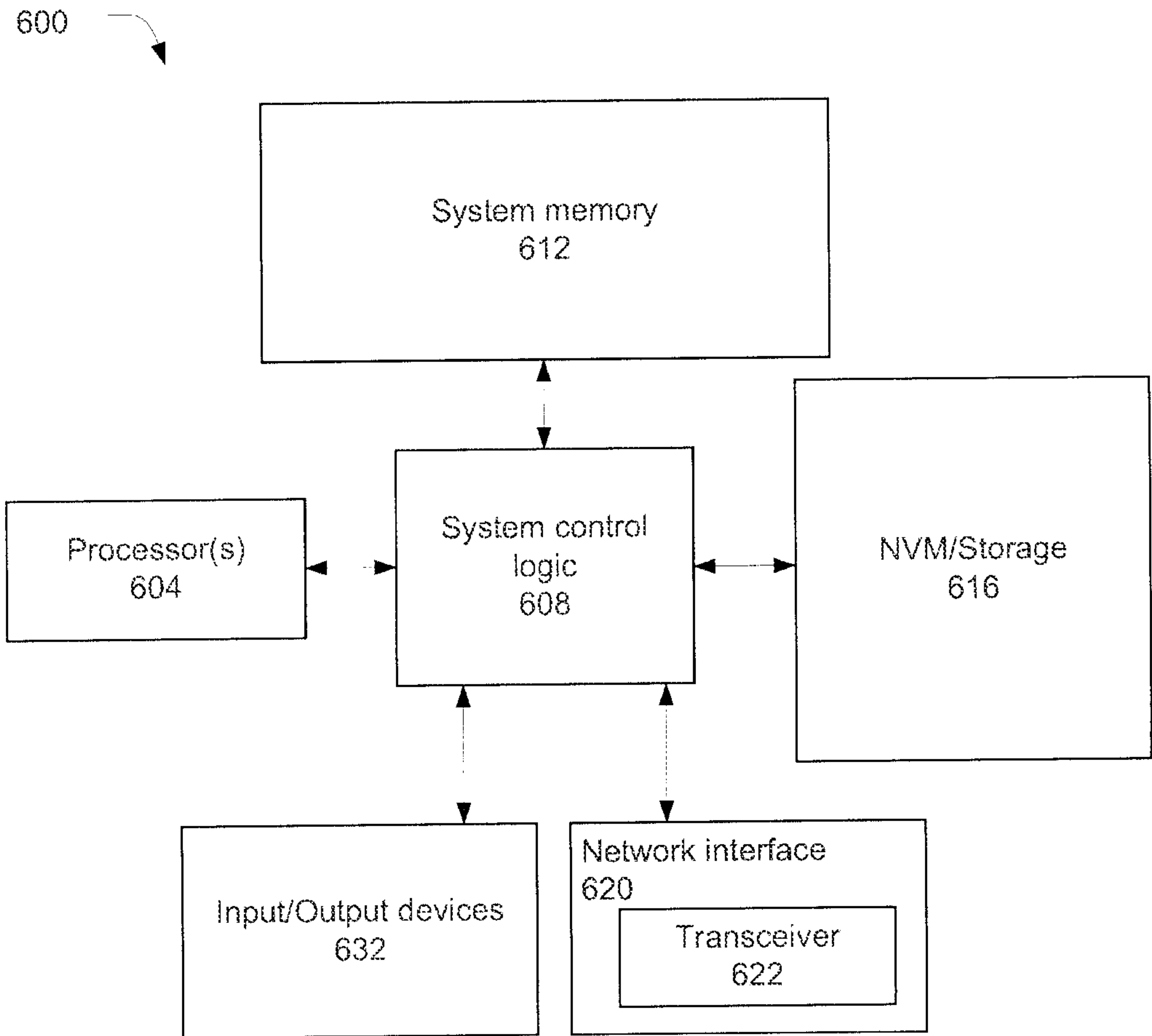


Figure 6

600

