

(12) UK Patent Application (19) GB (11) 2515707 (13) A

(43) Date of Reproduction by UK Office 31.12.2014

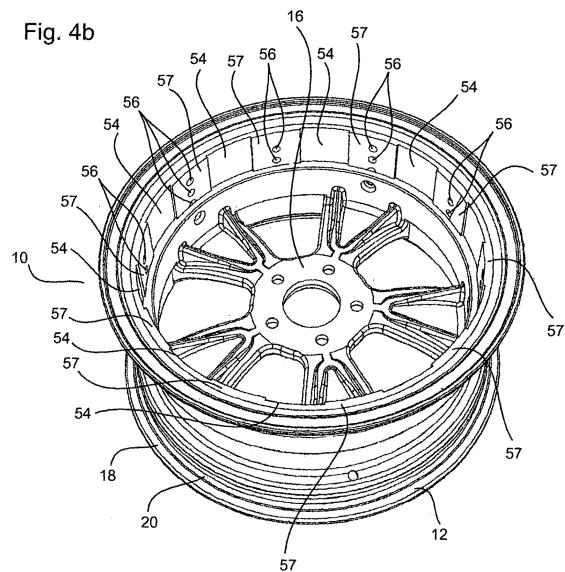
(21) Application No: 1419298.3
(22) Date of Filing: 23.03.2013
Date Lodged: 30.10.2014
(30) Priority Data:
(31) 2012901286 (32) 30.03.2012 (33) AU
(86) International Application Data:
PCT/AU2013/000325 En 23.03.2013
(87) International Publication Data:
WO2013/142910 En 03.10.2013

(51) INT CL:
B60B 3/04 (2006.01) B60B 21/00 (2006.01)
B60B 23/06 (2006.01) B60B 23/12 (2006.01)
(56) Documents Cited:
GB 0755707 A US 20040021365 A1
(58) Field of Search:
INT CL B60B

(71) Applicant(s):
Simon Richard Clemens
48 Dawson Street, ARMADALE 6112,
Western Australia, Australia
(72) Inventor(s):
Simon Richard Clemens
(74) Agent and/or Address for Service:
Appleyard Lees
15 Clare Road, HALIFAX, West Yorkshire, HX1 2HY,
United Kingdom

(54) Title of the Invention: **Wheel**
Abstract Title: **Wheel**

(57) A wheel comprising a rim portion and a centre portion for supporting the rim portion, wherein the rim portion is adapted to allow attachment of the centre portion to the rim at a selected position of a plurality of available positions. In one arrangement the available positions are disposed in a direction parallel to the axis of rotation of the wheel. There is also provided the rim and the centre portion and a method for constructing the wheel.



GB 2515707 A