

(21) Application No: 2100121.9  
(22) Date of Filing: 19.06.2019  
Date Lodged: 06.01.2021  
(30) Priority Data:  
(31) 62687273 (32) 20.06.2018 (33) US  
(31) 62826110 (32) 29.03.2019 (33) US  
(86) International Application Data:  
PCT/US2019/037882 En 19.06.2019  
(87) International Publication Data:  
WO2019/246189 En 26.12.2019

(51) INT CL:  
G01V 1/38 (2006.01)  
(56) Documents Cited:  
WO 2018/026513 A1 WO 2016/179060 A1  
WO 2015/036554 A2 WO 2015/011160 A1  
US 20140369162 A1  
(58) Field of Search:  
INT CL G01V  
Other: EPO-Internal, WPI Data

(71) Applicant(s):  
PGS Geophysical AS  
P.O. Box 251, Lilleaker, Oslo 0216, Norway  
(72) Inventor(s):  
Okwudili Orji  
Walter F Sollner  
Endrias Getashew Asgedom  
(74) Agent and/or Address for Service:  
Gill Jennings & Every LLP  
The Broadgate Tower, 20 Primrose Street, LONDON,  
EC2A 2ES, United Kingdom

(54) Title of the Invention: Geometrical distribution for non-impulsive sources  
Abstract Title: Geometrical distribution for non-impulsive sources

(57) A proposed geometrical distribution for a first non-impulsive source and a second non-impulsive source of a source array can be received. A near-field-to-notional computation can be performed for the proposed geometrical distribution to yield a respective computed notional output of the first and second non-impulsive sources. Whether the computed notional output of the first non-impulsive source has a first amount of residue greater than a threshold amount of residue can be determined. Whether the computed notional output of the second non-impulsive source has a second amount of residue greater than the threshold amount of residue can be determined. An indication whether either of the first or second amounts of residue is less than or equal to the threshold amount of residue can be provided

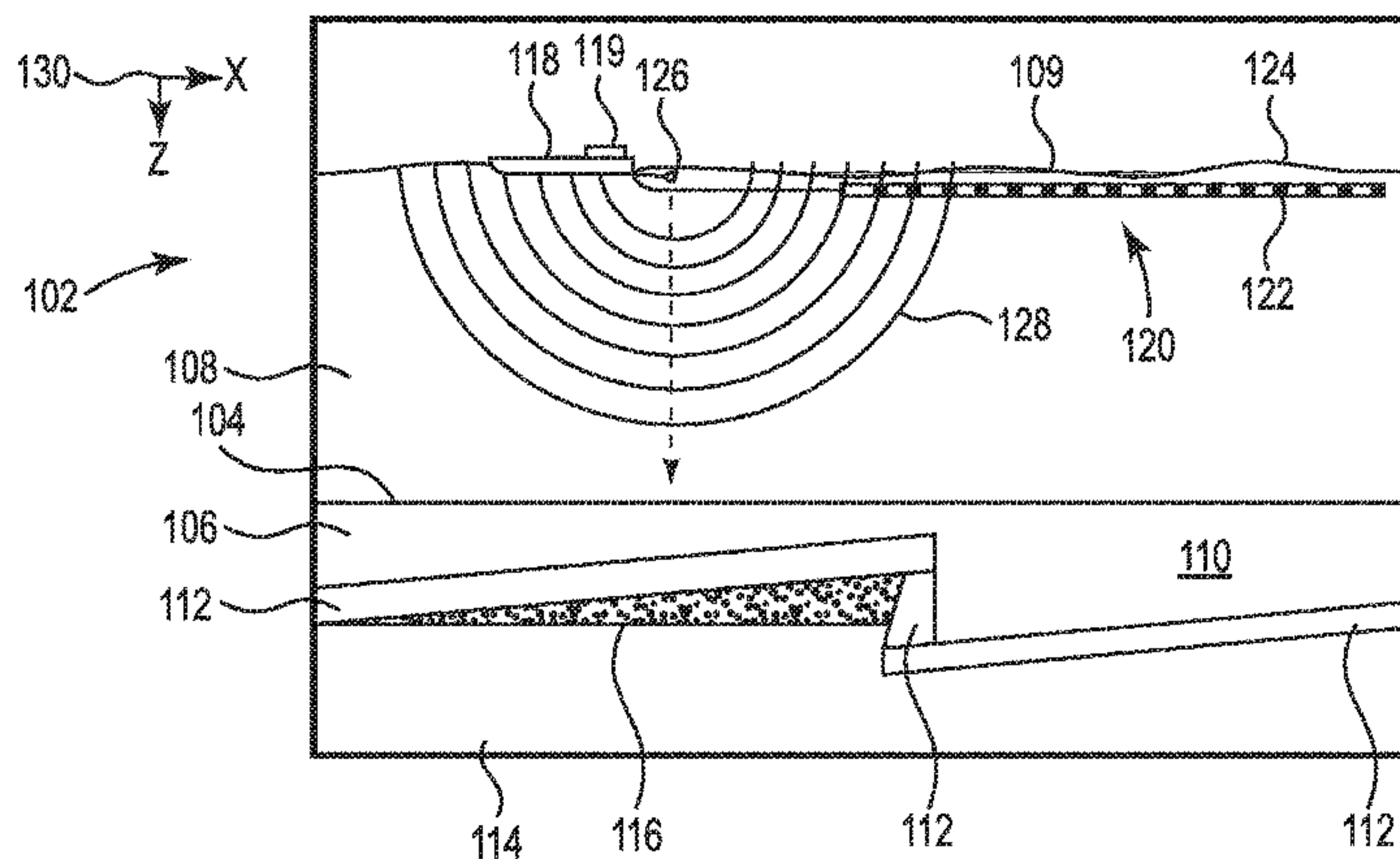


Fig. 1