



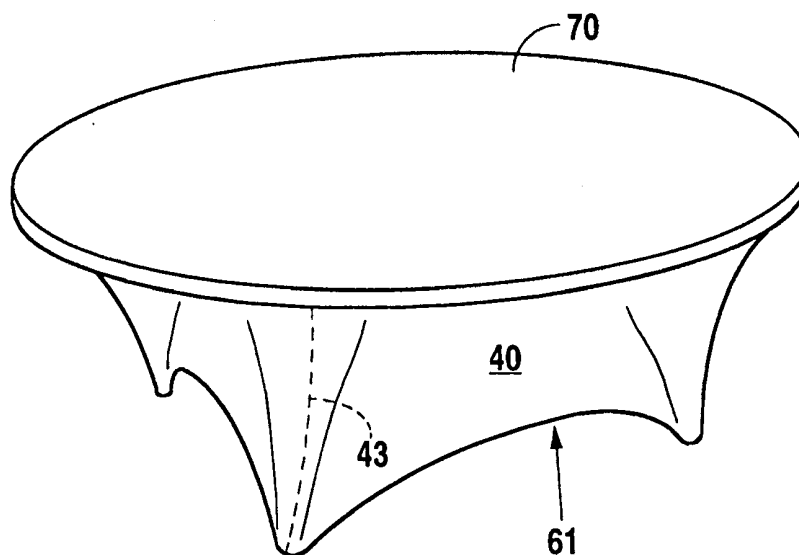
## INTERNATIONAL APPLICATION PUBLISHED UNDER THE PATENT COOPERATION TREATY (PCT)

<p>(51) International Patent Classification <sup>7</sup> : <b>A47B 13/08</b></p>	<p><b>A1</b></p>	<p>(11) International Publication Number: <b>WO 00/42880</b> (43) International Publication Date: 27 July 2000 (27.07.00)</p>
<p>(21) International Application Number: PCT/US00/01539 (22) International Filing Date: 21 January 2000 (21.01.00)</p> <p>(30) Priority Data: 09/235,928 22 January 1999 (22.01.99) US 09/372,932 12 August 1999 (12.08.99) US</p> <p>(71)(72) Applicant and Inventor: KELLDORF, Mitchell, T. [US/US]; 16114 North 81st Street, Scottsdale, AZ 85260 (US).</p> <p>(74) Agent: DRUCE, Tracy, W.; Royston, Rayzor, Vickery, Novak &amp; Druce, L.L.P., Suite 2000, 111 Soledad, San Antonio, TX 78205 (US).</p>	<p>(81) Designated States: AE, AL, AM, AT, AU, AZ, BA, BB, BG, BR, BY, CA, CH, CN, CR, CU, CZ, DE, DK, DM, EE, ES, FI, GB, GD, GE, GH, GM, HR, HU, ID, IL, IN, IS, JP, KE, KG, KP, KR, KZ, LC, LK, LR, LS, LT, LU, LV, MA, MD, MG, MK, MN, MW, MX, NO, NZ, PL, PT, RO, RU, SD, SE, SG, SI, SK, SL, TJ, TM, TR, TT, TZ, UA, UG, US, UZ, VN, YU, ZA, ZW, ARIPO patent (GH, GM, KE, LS, MW, SD, SL, SZ, TZ, UG, ZW), Eurasian patent (AM, AZ, BY, KG, KZ, MD, RU, TJ, TM), European patent (AT, BE, CH, CY, DE, DK, ES, FI, FR, GB, GR, IE, IT, LU, MC, NL, PT, SE), OAPI patent (BF, BJ, CF, CG, CI, CM, GA, GN, GW, ML, MR, NE, SN, TD, TG).</p> <p><b>Published</b> <i>With international search report.</i></p>	

(54) Title: TABLE COVER

(57) Abstract

A fabric table cover assembly (25) including a table cover body (28) having a top portion (31) configured for covering a top (13) of a table (10) and a bottom portion (37) configured to at least partially cover a support portion (16) of the table (10). The bottom portion (37) of the table cover body (28) is dark colored for forming an opaque skin about the support portion (16) of the table (10). The top portion (31) of the table cover body (28) is light colored, and preferably white, so that light colored overlay fabrics positioned upon the top portion (31) are colorwise unaffected in appearance by the top portion (31). An overlay table top cover (70) is configured to cover the top portion (31) of the table cover body (28). The bottom portion (37) of the table cover body (28) is constructed from stretch fabric and is configured to fit tautly about the support portion (16) of the table (10) thereby presenting a curvaceous appearance about the support portion (16) when installed thereupon.



*FOR THE PURPOSES OF INFORMATION ONLY*

Codes used to identify States party to the PCT on the front pages of pamphlets publishing international applications under the PCT.

AL	Albania	ES	Spain	LS	Lesotho	SI	Slovenia
AM	Armenia	FI	Finland	LT	Lithuania	SK	Slovakia
AT	Austria	FR	France	LU	Luxembourg	SN	Senegal
AU	Australia	GA	Gabon	LV	Latvia	SZ	Swaziland
AZ	Azerbaijan	GB	United Kingdom	MC	Monaco	TD	Chad
BA	Bosnia and Herzegovina	GE	Georgia	MD	Republic of Moldova	TG	Togo
BB	Barbados	GH	Ghana	MG	Madagascar	TJ	Tajikistan
BE	Belgium	GN	Guinea	MK	The former Yugoslav Republic of Macedonia	TM	Turkmenistan
BF	Burkina Faso	GR	Greece			TR	Turkey
BG	Bulgaria	HU	Hungary	ML	Mali	TT	Trinidad and Tobago
BJ	Benin	IE	Ireland	MN	Mongolia	UA	Ukraine
BR	Brazil	IL	Israel	MR	Mauritania	UG	Uganda
BY	Belarus	IS	Iceland	MW	Malawi	US	United States of America
CA	Canada	IT	Italy	MX	Mexico	UZ	Uzbekistan
CF	Central African Republic	JP	Japan	NE	Niger	VN	Viet Nam
CG	Congo	KE	Kenya	NL	Netherlands	YU	Yugoslavia
CH	Switzerland	KG	Kyrgyzstan	NO	Norway	ZW	Zimbabwe
CI	Côte d'Ivoire	KP	Democratic People's Republic of Korea	NZ	New Zealand		
CM	Cameroon		Republic of Korea	PL	Poland		
CN	China	KR	Republic of Korea	PT	Portugal		
CU	Cuba	KZ	Kazakstan	RO	Romania		
CZ	Czech Republic	LC	Saint Lucia	RU	Russian Federation		
DE	Germany	LI	Liechtenstein	SD	Sudan		
DK	Denmark	LK	Sri Lanka	SE	Sweden		
EE	Estonia	LR	Liberia	SG	Singapore		

## TABLE COVER

TECHNICAL FIELD: The present invention relates generally to table coverings, and more specifically to table covers for use in special events where frequent appearance changes are desired and for home furnishings of which an owner desires to change the look thereof  
5 and/or locate people thereabout in seated positions.

BACKGROUND OF THE INVENTION: Nondescript tables intended to be covered before use are well known in the entertainment, convention and party industries. Typically, the underlying table is of conventional design without decorative features. The top of the table may be of any particular shape, but is usually either square, round or rectangular.  
10 A set of legs is attached to the underside of the table top and are normally foldable into and out of a use configuration. The tables themselves are not attractive and are almost always covered for use. In this way, the cover may be selected so that the tables serve as a complement to the rest of the theme of a event. Usually, conventional table coverings have been simple drapes that are positioned upon the table for uniform  
15 appearance. One problem experienced with these designs is that no reference is provided to indicate when the draped table covering has been properly positioned. Therefore, set up of such tables, especially when there is a large number can be time-consuming. Each table must be visually inspected, usually from several different vantage points, to assure that it looks right from all sides. Sometimes, a regular cloth table cover of inappropriate  
20 size will result in undesirable uneven overhangs. Furthermore, such draped configurations have been in long-time use and the entertainment and party industries desire new and novel appearances, as well as efficient designs for event accessories.

In home settings, the owner of other types of tables often times desires to change the look of the furniture piece easily and inexpensively. Examples include end tables,

bedside tables, coffee tables and dining tables. Similarly, tables of this nature may also be utilized in commercial settings such as hotels, offices and restaurants. Often times, the look of this furniture utilized in such commercial settings will be desired to be changed either temporarily or permanently. As to private owners, the commercial owners of these  
5 furniture pieces will desire to make such appearance changes inexpensively, easily and often times interchangeably.

In another aspect, the invention takes the form of a fabric table cover assembly including a table cover body having a top portion that is configured for covering a top of a table and a bottom portion that is configured for covering at least a portion, but not  
10 necessarily all of a supporting legged portion of a table. The bottom portion of the cover body has a lower periphery that is configured or designed to be anchored at securable locations to a plurality, that is more than one of the legs of the table to be covered. The lower periphery has extension portions between adjacent securable locations that are adapted to form upwardly extending arches between adjacent securable locations at the  
15 table legs. In this way, feet accommodating access areas are established between adjacent legs of a covered table.

In view of the above described deficiencies associated with the use of known designs of table covers, the present invention has been developed to alleviate these drawbacks and provide further benefits to the user. These enhancements and benefits are  
20 described in greater detail hereinbelow with respect to several alternative embodiments of the present invention.

#### DISCLOSURE OF THE INVENTION:

The present invention in its several disclosed embodiments alleviates the drawbacks described above with respect to conventionally designed drape table coverings and  
25 incorporates several additionally beneficial features. Among the benefits of the invention

is its ease-of-use and durability. Another benefit is the clean, sculpted appearance that it presents when installed upon a table. Still another feature very attractive to the event planning industry is its versatility and ease in appearance-adaptation.

The fabric table cover assembly of the present invention is substantially form-fitting  
5 over a conventional party table. Because the fabric from which the cover is constructed is typically stretch material, the table cover assembly is stretched about the table and secured thereupon. The stretch nature of the fabric of construction causes the cover to constrict about the table and partially conform thereto. The result is a curvaceous appearance that is unique, pleasing to the eye and somewhat space-age in effect.

10 A lower periphery of the bottom of the cover is secured at the feet of the table. Because of the elastic nature of the lower periphery of the cover, upward extending arches are formed between the legs. This is a developed feature highly desirable to those persons who later use the table because these arched areas provide gap spaces between the cover and the floor that accommodate insertion of their feet under the table. The lack of such  
15 access for the user's feet in conventional designs has long-affected the level of comfort and usability of such conventional table cover designs.

The table cover of the present invention is constructed in a preferred embodiment to have a top portion and a bottom portion configured to cover the top and legged portions of a table, respectively. The top portion of the table cover is preferably made from a light-  
20 colored material and the bottom portion may be constructed in any other desired color. Typically, however, the bottom portion is black because of that color's versatility and ability to blend in many event settings.

The table cover body described immediately above may be utilized alone, but in a preferred embodiment an overlay table top cover is also utilized that is stretched over the  
25 top portion of the table cover body. Usually, this overlay table cover will have a particular design such as polka-dots or zebra stripes that can be utilized to customize the appearance

of the tables being covered and accent the event in which they are being used. Because the overlay top cover is also constructed of stretch material to enable its easy installation over the top portion of the table cover body and cause conformity thereto, it is easy for the color of the top portion of the table cover body to bleed through light portions of the overlay tabletop cover. For this reason, the top portion of the table cover is preferably constructed from light-colored material, and most preferably, white material. Through the use of such light-colored material, not only is bleed-through prevented, but the colors of the overlay are made more vibrant by the light-colored backdrop of the top portion of the table cover body. Still further, the top portion of the table cover of the present invention is advantageously constructed from polyester-cotton blend materials that supplementarily act as a pad under the overlay thereby eliminating the need for a separate pad.

The construction of the table cover body and the overlay cover enable easy, quick and uniform installation of a number of table cover assemblies on different tables. This is important for event planners since setup time is most always at a premium. The setup time for in event is non-revenue generating and therefore is desired to be minimized. The construction of the table cover assembly of the present invention also enables a lone person to install the cover quickly and accurately by him or herself without damaging the cover. This one-person installation is accommodated by the construction of the table cover and its method of installation and attachment upon a table. Because of the stretching nature of the table cover in its preferred embodiment, the lower periphery of the bottom portion of the cover may be easily hooked under the feet of the table's legs. This can be accomplished one at a time as the installer moves about the table. Simultaneously, the top portion of the cover, as well as the bottom portion of the cover is being stretched tautly about the tabletop and legged portions of the table, respectively. In this manner, as the installer progresses about the table, each leg can be rocked off of the floor to permit placement of a securable portion of the cover thereunder. This type of installation

prevents the top of the table from having to engage the floor and averts potential damage to cover if it were pinched between the table top and floor.

In a preferred embodiment, the bottom portion of the table cover is constructed in a tube configuration using a longitudinal seam that can be used by the installer as a  
5 reference point for proper positioning of the cover upon the table. By aligning the seam with a leg of the table, not only is a better appearance achieved for each table, but a uniform appearance across several tables is assured when each is similarly covered.

In at least one embodiment, the present invention takes the form of a fabric table cover assembly that includes a table cover body that has a top portion configured for  
10 covering a top of a table and a bottom portion configured for covering at least a portion of a supporting legged portion of a table. The bottom portion of the cover body has a lower periphery configured to be anchored at securable locations, one each of those locations to one of a plurality of legs of the table to be covered. The lower periphery has  
15 extension portions between adjacent securable locations that are adapted to form upwardly extending arches between adjacent securable locations. In this way feet accommodating access areas are established between adjacent legs of a covered table.

The top portion of the table cover body is light colored so that light colored overlay fabrics positioned upon the top portion are colorwise unaffected in appearance by the top  
portion of the underlying cover. In a preferred embodiment, the light colored top portion  
20 of the table cover body is white for optimized color preservation of overlay fabrics positioned upon the top portion and also doubles as table pad under the overlay.

The bottom portion of the table cover body is preferably dark colored for forming an opaque skin about a supporting legged portion of a covered table.

In one embodiment, the top portion and the bottom portion of the table cover body are separate fabric pieces joined together at a seam to form the table cover body and the seam is configured to be located immediately below a top of a covered table when installed thereupon.

5           Additionally, an overlay table top cover is configured to cover the top portion of the table cover body for presenting a contrasting appearance to the bottom portion of the cover body. Preferably, the overlay table top cover is adapted to stretch tautly over the top portion of the table cover body for uniform surface-to-surface engagement between the overlay table top cover and the top portion of the table cover body. Further, the  
10 overlay table top cover has a peripheral elastic band for constriction below a top of a covered table when installed thereupon. In a particularly preferred embodiment, the overlay table top cover is constructed from stain and wrinkle resistant material.

In one embodiment, the securable location takes, at least in part, the form of a hookable portion of the bottom portion of the table cover body and is configured for being  
15 securably hooked under a leg of a covered table. In an alternative embodiment, the securable location includes a cupped receiver positioned at the lower periphery of the bottom portion of the table cover body and is configured to securably receive a foot portion of a leg of a covered table. The cupped receiver is adapted to be releasably engageable upon the lower periphery of the bottom portion of the table cover body.

20           Preferably, the bottom portion of the table cover body is constructed from stretch fabric and is configured to fit tautly about the supporting legged portion of a covered table thereby presenting a curvaceous appearance about the supporting legged portion when installed. In one exemplary embodiment, the stretch fabric from which the bottom portion of the table cover body is constructed is spandex material and the top portion of the table  
25 cover body is constructed from stain and wrinkle resistant material. Further, the bottom portion of the table cover body includes a peripheral elastic band for constriction about a



lower portion of a supporting legged portion of a covered table thereby forming the upwardly extending arches and presenting a fluted appearance at a base of a covered table from a plurality of the arches.

In one version, the bottom portion of the table cover body is tubularly constructed and is formed from a sheet of material using a seam that is configured to be aligned with a leg of a covered table.

The beneficial effects described above apply generally to the exemplary devices and mechanisms disclosed herein of the fabric table cover. The specific structures through which these benefits are delivered will be described in detail hereinbelow.

#### 10 BRIEF DESCRIPTION OF THE DRAWINGS:

The invention will now be described in greater detail in the following way of example only and with reference to the attached drawings, in which:

Figure 1 is a perspective view showing the initial installation step of the present invention onto a table;

15 Figure 2 and Figure 3 illustrate subsequent steps of installation of the table cover body;

Figure 4 is an illustration of an initial step of installation of an overlay cover atop the table cover body;

20 Figure 5 is an intermediate step of installation of an overlay cover atop the table cover body;

Figure 6 is illustration of an appropriately installed table cover body and overlay cover;

Figure 7 is a cross-sectional view of a two-piece cup receiver;

Figure 8 is a perspective view of an interior insert of the two-piece cup receiver;

25 Figure 9 is a perspective view of an outer shell of the two-piece cup receiver;

Figure 10 is a perspective view of an alternative embodiment of the two-piece cup receiver; and

Figure 11 is a perspective view of an alternative embodiment of an outer shell of the two-piece cup receiver.

## 5 MODE(S) FOR CARRYING OUT THE INVENTION:

As required, detailed embodiments of the present invention are disclosed herein; however, it is to be understood that the disclosed embodiments are merely exemplary of the invention that may be embodied in various and alternative forms. The figures are not necessarily to scale, some features may be exaggerated or minimized to show details of  
10 particular components. Therefore, specific structural and functional details disclosed herein are not to be interpreted as limiting, but merely as a basis for the claims and as a representative basis for teaching one skilled in the art to variously employ the present invention.

Referring to the accompanying drawings, a table cover assembly 25 may be  
15 appreciated that is utilizable for covering a table 10 having a table top 13 and a supporting legged portion 16. The supporting legged portion 16 includes a plurality of legs 19 each of which has a foot portion 22.

As may be appreciated in figure 1, a table cover body 28 is configured for installation over the table 10. The cover body 28 includes a top portion 31 and a bottom  
20 portion 37 preferably joined together by a seam 34. The bottom portion 37 is preferably constructed from a stretching material such as spandex. The top portion 31 is preferably constructed from a substantially stretch resistant polyester-cotton blend material which is stain and wrinkle resistant. Because the top portion 31 is stretch resistant, that portion can be cut to specifically fit a particular table configuration, most of such table  
25 configurations being of standard shapes and sizes, at least in the event planning industries.

Secondly, because the material is stretch resistant, once properly positioned upon the table top, the top portion 31 of the cover assists in properly locating and shaping the lower stretching portion 37 of the table cover 28. This occurs because the top portion 31 of the cover provides a continuous anchor about its perimeter for the top edge of the lower  
5 portion 37 of the table cover 28.

Because of the stretch nature of the construction material of the bottom portion 37, the table cover body 28 exhibits an elastic affect through its constrictive characteristics about the table 10. As illustrated in figures 3 and 4, these characteristics enable the cover 28 to be at least partially form-fitting about the table 10 in a curvaceous manner  
10 which produces the unique appearance of the installed cover assembly 25.

As illustrated in figure 1, the installation process begins with an installer 11 positioning the table cover body 28 substantially upon the top 13 of the table 10. At least one leg 19 is lifted off of the ground so that the bottom portion 37 of the cover body 28 can be anchored at a securable location 52 at the foot portion 22 of the leg 19. In a  
15 preferred embodiment, the securable locations 52 are at a lower periphery 49 of the bottom portion 37. Optionally, a peripheral elastic band 46 may be included at the periphery 49, but it is also possible for the material from which the bottom portion 37 is constructed to perform satisfactorily utilizing its own elastic qualities. In the embodiment illustrated in figures 1 and 2, the securable location 52 takes the form of a hookable  
20 portion 55 which is achieved by pulling the lower periphery 49 underneath the foot portion 22 and permitting it to constrict thereunder.

In an alternative embodiment which is designated at the righthand foot portion 58 of figure 4, a cupped receiver 80 is utilized at the lower periphery 49 for installation under the foot 22. Preferably, the cupped receiver 80 is constructed from substantially rigid,  
25 durable material such as plastic, and in a preferred embodiment is releasably engageable at the lower periphery 49 of the bottom portion 37 of the cover body 28. It is disclosed

that the cupped receiver 80 is constructed from two body pieces which are substantially conforming, one to the other, so that together they can be effectively snapped about the lower periphery 49 of the table cover 28 for attachment thereto. The receiver 80 has an interior foot receiving area interiorly configured for receiving the foot portion 22 of a table leg 19 therein.

Because of the cupped receiver's 80 design, it should be appreciated that the receiver 80 may be used on other types of covers and structures, such as covers for chairs, other pieces of furniture and other types of articles or fabrics that have portions that are desired to be secured or anchored. An example may include covers for paintings that are desired to be anchored on corners and for which the cup's 80 design is appropriate. Along these lines, it should be appreciated that the cup assembly 80 need not be substantially round in configuration, but may be configured to accommodate variously shaped anchor elements. In the case of a cover to be secured about a painting at corners of a frame thereof, the cup assembly 80 may be more square in shape for catching upon the corners of the frame. These anchors may also be utilized on panels constructed from stretch fabrics that are connected between anchors for forming partition type room dividers. Still further, they may be used to establish projection screens of various characteristics and uses.

Exemplary and alternative embodiments of the cupped receiver 80 are illustrated in figures 7-9 and 10-11. Figures 7 illustrates a unified receiver body 82 that is assembled from two separate piece receiver bodies taking the form of an outer shell 84 and an interior insert 86. Figures 9 and 11 show alternative and exemplary outer shell 84 configured to be engaged upon alternative and exemplary interior inserts 86 shown in Figures 8 and 10. Regarding figure 7, a cross-sectional view of the cupped receiver 80 is provided that shows that the receiver 80 is formed by the snapped engagement of an outer shell 84 about an interior insert 86. The outer shell 84 includes a catch projection 85 that projects

over and snaps about a protrusion 87 off of the interior insert 86. In this manner, the two halves 84,86 are made releasably engageable, one to the other. As may also be appreciated in figure 7, an interior surface of the outer shell 84 is configured to conform approximately to an exterior surface of the insert 86 for substantial face-to-face abutment.

5 When assembled, a cover securement recess 88 is established between the two halves 84,86 which is utilized for securely receiving a portion of the lower periphery 49 of the bottom portion 37 of the table cover body 28. Securement of the cupped receiver 80 to the table cover 28, or to any other cover similarly constructed, such as at a periphery of a chair cover, is established by snapping the two halves 84,86 together  
10 with the portion of the cover intended to be secured positioned therebetween. In the instance of a cover in which an elastic band 46 has been incorporated, the enlarged cord caused by the presence of the elastic band 46 lends an expanded portion easily trapped in the recess space 88 between the cup halves 84,86.

Friction members 90 are provided in the form of spiked teeth 92 that stab into the  
15 secured cover portion. Through the use of the teeth 92, disengagement of the cover 28 from the cupped receiver 80 is resisted until the two halves 84,86 are purposefully disengaged and the recess 88 opened.

An interior foot receiving area 94 is established within an interior space of the cupped receiver 80. It is in this area 94 that the foot portion 22 of a table 10, or  
20 alternatively a chair, is received. The fit of the area 94 about the foot portion 22 may be sufficiently snug to maintain an engagement therebetween. Still further, the elastic nature of the table cover 28 will normally place an upward force on the cupped receiver 80 which also tends to hold the receiver 80 tightly upon the foot portion 22. To aid an installer in properly positioning the foot portion 22 in the receiving area 94, a sloped access lip 96 is  
25 provided that directs the foot portion 22 to slide into the receiving area 94 for proper positioning therein. Because there is the possibility that a great deal of downward force

may be imposed upon the cupped receiver 80, especially if the receiver is utilized on a chair cover, a bottom portion 98 of the receiver 80 is reinforced utilizing reinforcing ribs 99. In the embodiment illustrated in figure 8, the ribs 99 extend radially from a center of the interior insert 86 toward a circumference thereof. The ribs 99 take the form of  
5 vanes that are perpendicularly oriented to the bottom interior surface of the insert 86.

It should be appreciated that an additional benefit is derived from utilizing cup receivers 80 at the ground engaging portions of the feet of a table, and more pertinently, on feet of a chair. The inner and outer components 84,86 of the cup receiver 80 are preferably constructed from a hard plastic such as polyvinyl chloride. Still further, the  
10 bottom extreme exterior surface of the cup receiver 80 is generally convex shaped or at a minimum has upwardly curved edges so that sliding action of the table or chair over a supporting floor is facilitated. This can be attributed to the cups 80 acting as sleds over carpeted surfaces and reduced surface-to-surface contact on hard flooring. Furthermore, because the cups 80 are made from semi-rigid material, the cups 80 also act as a buffer  
15 for protecting flooring from such sliding action which could otherwise mar or gouge the flooring's surface.

It is also contemplated that a one-piece construction cupped receiver may be utilized that is generally constructed according to the criteria for the cupped receiver 80 illustrated in Figures 7-11. An arrangement is provided upon the body of the cupped  
20 receiver for affecting an attachment between the receiver and the cloth cover to be secured or anchored by the cup. Ideally, this attachment is a releasable in nature, but it is also possible that the connection may be permanent.

As illustrated in figure 2, installation continues as the installer 11 moves from one leg 19 to the next anchoring the bottom portion 37 of the cover 28 under the foot  
25 portion 22 of each leg 19 at a securable location 52 until finally the configuration of figure 3 is achieved. There, it can be appreciated that extension portions 61 span between

the securable locations 52 and when the cover 28 is installed upon a table 10 form upwardly extending arches 64 between each leg 19. As may be best appreciated in figure 4, each arch 64 provides a feet accommodating access area 67 for those persons who later sit at the covered table 10. This feature improves the comfort level for those persons attending the event and increases the usability of the tables 10.

In the illustrated embodiment, the top portion 31 of the table cover body 28 is round shaped and the bottom portion 37 is tubular. The tube of the bottom portion 37 is formed by sewing a sheet of material at end portions thereof utilizing a tube forming seam 43. The seam 43 may be advantageously utilized by an installer 11 to assure proper positioning of the table cover 28 upon the table 10. When beginning installation as shown in figure 1, the seam 43 is aligned with the initial leg 19 under which the bottom portion 37 is first anchored. If this system of installation is consistently utilized, a uniform appearance across the several tables 10 in an event setting will be achieved.

An optional component of the table cover assembly 25 is an overlay tabletop cover 70. The utilization of such an overlay 70 is illustrated in figures 4 -6. Typically, the overlay 70 will have a specific design that has been selected to complement the theme of an event. Examples of such designs could include colored polka-dots, flag patterns or zebra stripes. In each case, the overlay 70 is preferably constructed of a stretch material that is secured about the top 13 of the table 10 over the top portion 31 of the table cover body 28 utilizing a peripheral elastic band 73. The more the overlay 70 is stretched, the more transparent the material becomes. This is especially true at the light-colored portions of the designs in the overlay 70. For this reason, the top portion 31 of the table cover body 28 is preferably constructed from a light-colored material, and most preferably from a white material. In this way, lighter colors of the overlay 70 are not washed out by a dark underlay, but are instead preserved and enhanced by the light color of the top portion 31 of the underlying cover 28.

The overlay 70 is an important component because it incorporates adaptability into the table cover assembly 25. By using the same basic table cover bodies 28 with different overlay covers 70, dramatically different appearances can be achieved utilizing the same cover 28 and table 10. This is a very attractive feature to party planners who must be able to provide a wide range of looks on a finite budget. In a typical embodiment, the bottom portion 37 of the cover 28 will usually be constructed from a dark colored material such as black spandex which forms an opaque skin 40 about the legged portion 16 of the table 10 when properly installed. In this configuration, the table cover assembly 25 presents a solid sculpted appearance over the previously unattractive skeletal table 10 available for most convention and party events.

A table cover and its components have been described herein. These and other variations, which will be appreciated by those skilled in the art, are within the intended scope of this invention as claimed below. As previously stated, detailed embodiments of the present invention are disclosed herein; however, it is to be understood that the disclosed embodiments are merely exemplary of the invention that may be embodied in various forms.

**INDUSTRIAL APPLICABILITY:** The present invention finds special applicability in the convention, party and event planning industries.

//

20 //

//



What is claimed and desired to be secured by Letters Patent is as follows:

1. A fabric table cover assembly comprising:
  - a table cover body having a top portion configured for covering a top of a table and a bottom portion configured to at least partially cover a support portion of the table;
  - said bottom portion of said table cover body forming an opaque skin about the support portion of the table; and
  - said top portion of said table cover body being light colored so that light colored overlay fabrics positioned upon said top portion are colorwise unaffected in appearance by said top portion.
  
2. The fabric table cover assembly as recited in claim 1, wherein bottom portion of said table cover body is dark colored thereby enhancing the opaque qualities of the bottom portion about the support portion of the table.
  
3. The fabric table cover assembly as recited in claim 1, wherein said top portion of said table cover body is constructed from substantially stretch-resistant material for establishing a substantially form-fitting cover for the table top.
  
4. The fabric table cover assembly as recited in claim 3, wherein said bottom portion of said table cover body is constructed from stretch accommodating material.
  
5. The fabric table cover assembly as recited in claim 1, wherein said light colored top portion of said table cover body is white for optimized color preservation of the overlay fabrics positioned upon said top portion.

6. The fabric table cover assembly as recited in claim 1, wherein said top portion and said bottom portion of said table cover body are separate fabric pieces joined together at a seam to form said table cover body, said seam being arranged to be located immediately below a top of the table when installed thereupon and therefore substantially concealed from sight.
  
7. The fabric table cover assembly as recited in claim 1, further comprising:  
an overlay table top cover configured to cover said top portion of said table cover body for presenting a contrasting appearance to said bottom portion of said cover body.
  
8. The fabric table cover assembly as recited in claim 7, wherein said overlay table top cover is adapted to stretch tautly over said top portion of said table cover body for uniform surface-to-surface engagement between said overlay table top cover and said top portion of said table cover body.
  
9. The fabric table cover assembly as recited in claim 7, wherein said overlay table top cover further comprises a peripheral elastic band for constriction below a top of the table when installed thereupon.
  
10. The fabric table cover assembly as recited in claim 7, wherein said overlay table top cover is constructed from stain and wrinkle resistant material.
  
11. The fabric table cover assembly as recited in claim 1, wherein said bottom portion of said cover body has a lower periphery configured to be anchored at a securable location to a leg of the table.

12. The fabric table cover assembly as recited in claim 11, wherein said securable location further comprises a hookable portion of said bottom portion of said table cover body configured for being securingly hooked upon a leg of the table.

13. The fabric table cover assembly as recited in claim 11, wherein said securable location further comprises a cupped receiver positioned at said lower periphery of said bottom portion of said table cover body, said cupped receiver configured to securably receive a foot portion of a leg of the table.

14. The fabric table cover assembly as recited in claim 13, wherein said cupped receiver is adapted to be releasably engageable upon said lower periphery of said bottom portion of said table cover body.

15. The fabric table cover assembly as recited in claim 1, wherein said bottom portion of said table cover body is constructed from stretch fabric and is configured to fit tautly about the support portion of the table thereby presenting a curvaceous appearance about the support portion of the table when installed thereupon.

16. The fabric table cover assembly as recited in claim 15, wherein said stretch fabric from which said bottom portion of said table cover body is constructed is spandex material.

17. The fabric table cover assembly as recited in claim 15, wherein said top portion of said table cover body is constructed from stain and wrinkle resistant material.

18. The fabric table cover assembly as recited in claim 1, wherein said bottom portion of said table cover body further comprises a peripheral elastic band for constriction about a lower portion of the support portion of the table.

19. The fabric table cover assembly as recited in claim 1, wherein said bottom portion of said table cover body is tubularly constructed.

20. The fabric table cover assembly as recited in claim 19, wherein said tubularly constructed bottom portion of said table cover body is formed from a sheet of material using a seam, said seam being configured to be aligned with a leg of the table.

21. A fabric table cover assembly comprising:

a table cover body having a top portion configured for covering a top of a table and a bottom portion configured to at least partially cover a support portion of the table;

said bottom portion of said table cover body forming an opaque skin about the support portion of the table; and

said top portion of said table cover body being light colored for enhancing color clarity of colored overlay fabrics positioned upon said top portion.

22. The fabric table cover assembly as recited in claim 21, wherein said top portion of said table cover body is constructed from substantially stretch-resistant material for establishing a substantially form-fitting cover for the table top.

23. The fabric table cover assembly as recited in claim 22, wherein said bottom portion of said table cover body is constructed from stretch accommodating material.

24. A fabric table cover assembly comprising:

a table cover body having a top portion configured for covering a top of a table and a bottom portion configured for covering at least a portion of a supporting legged portion of the table;

said bottom portion of said cover body having a lower periphery configured to be anchored at securable locations to a plurality of legs of the covered table; and

said lower periphery having extension portions between adjacent securable locations, said extension portions being adapted to form upwardly extending arches between adjacent securable locations thereby establishing feet accommodating access areas between adjacent legs of the covered table.

25. The fabric table cover assembly as recited in claim 24, wherein said top portion of said table cover body is light colored so that light colored overlay fabrics positioned upon said top portion are colorwise unaffected in appearance by said top portion.

26. The fabric table cover assembly as recited in claim 25, wherein said light colored top portion of said table cover body is white for optimized color preservation of the overlay fabrics positioned upon said top portion.

27. The fabric table cover assembly as recited in claim 24, wherein said bottom portion of said table cover body is dark colored for forming an opaque skin about the supporting legged portion of the covered table.

28. The fabric table cover assembly as recited in claim 24, wherein said top portion and said bottom portion of said table cover body are separate fabric pieces joined together at a seam to form said table cover body, said seam being configured to be located immediately below the top of the covered table when installed thereupon.

29. The fabric table cover assembly as recited in claim 24, further comprising:

an overlay table top cover configured to cover said top portion of said table cover body for presenting a contrasting appearance to said bottom portion of said cover body.

30. The fabric table cover assembly as recited in claim 29, wherein said overlay table top cover is adapted to stretch tautly over said top portion of said table cover body for uniform surface-to-surface engagement between said overlay table top cover and said top portion of said table cover body.

31. The fabric table cover assembly as recited in claim 29, wherein said overlay table top cover further comprises a peripheral elastic band for constriction below the top of the covered table when installed thereupon.

32. The fabric table cover assembly as recited in claim 29, wherein said overlay table top cover is constructed from stain and wrinkle resistant material.

33. The fabric table cover assembly as recited in claim 24, wherein each said securable location further comprises a hookable portion of said bottom portion of said table cover body configured for being securingly hooked under a respective leg of the covered table.

34. The fabric table cover assembly as recited in claim 24, wherein said securable location further comprises a cupped receiver positioned at said lower periphery of said bottom portion of said table cover body, said cupped receiver configured to securably receive a foot portion of a respective leg of the covered table.

35. The fabric table cover assembly as recited in claim 34, wherein each said cupped receiver is adapted to be releasably engageable upon said lower periphery of said bottom portion of said table cover body.

36. The fabric table cover assembly as recited in claim 24, wherein said bottom portion of said table cover body is constructed from stretch fabric and is configured to fit tautly about the supporting legged portion of the covered table thereby presenting a curvaceous appearance about the supporting legged portion of the covered table when installed thereupon.

37. The fabric table cover assembly as recited in claim 36, wherein said stretch fabric from which said bottom portion of said table cover body is constructed is spandex material.

38. The fabric table cover assembly as recited in claim 36, wherein said top portion of said table cover body is constructed from stain and wrinkle resistant material.

39. The fabric table cover assembly as recited in claim 24, wherein said bottom portion of said table cover body further comprises a peripheral elastic band for constriction about a lower portion of the supporting legged portion of the covered table thereby forming said upwardly extending arches and presenting a fluted appearance at a base of the covered table from a plurality of said arches.

40. The fabric table cover assembly as recited in claim 24, wherein said bottom portion of said table cover body is tubularly constructed.

41. The fabric table cover assembly as recited in claim 40, wherein said tubularly constructed bottom portion of said table cover body is formed from a sheet of material using a seam, said seam being configured to be aligned with one of the legs of the covered table.



1/5

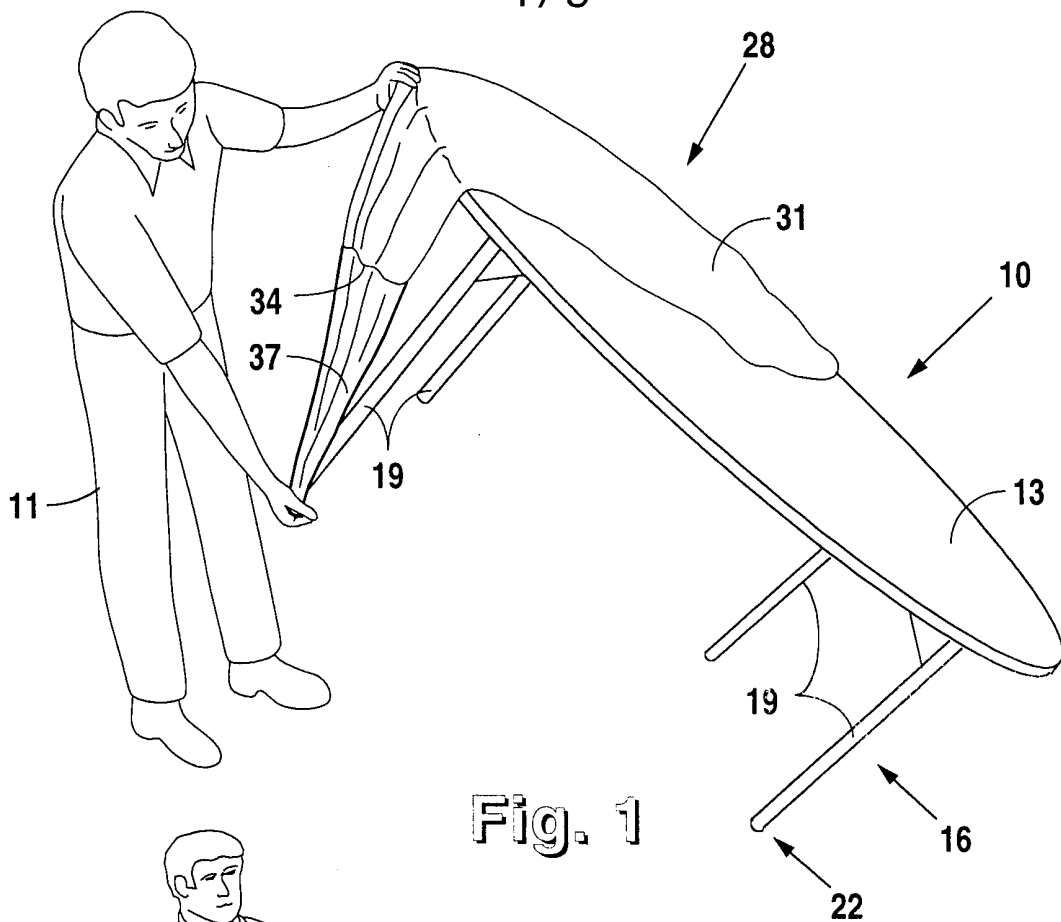


Fig. 1

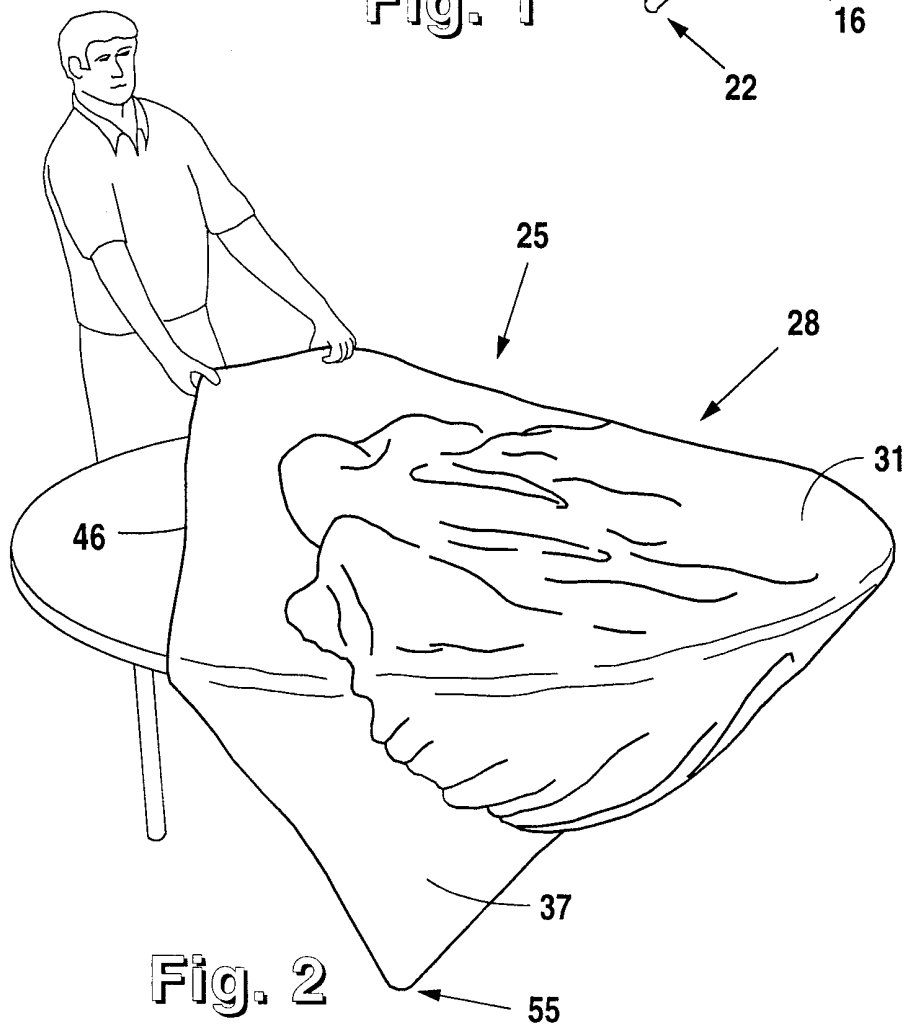


Fig. 2

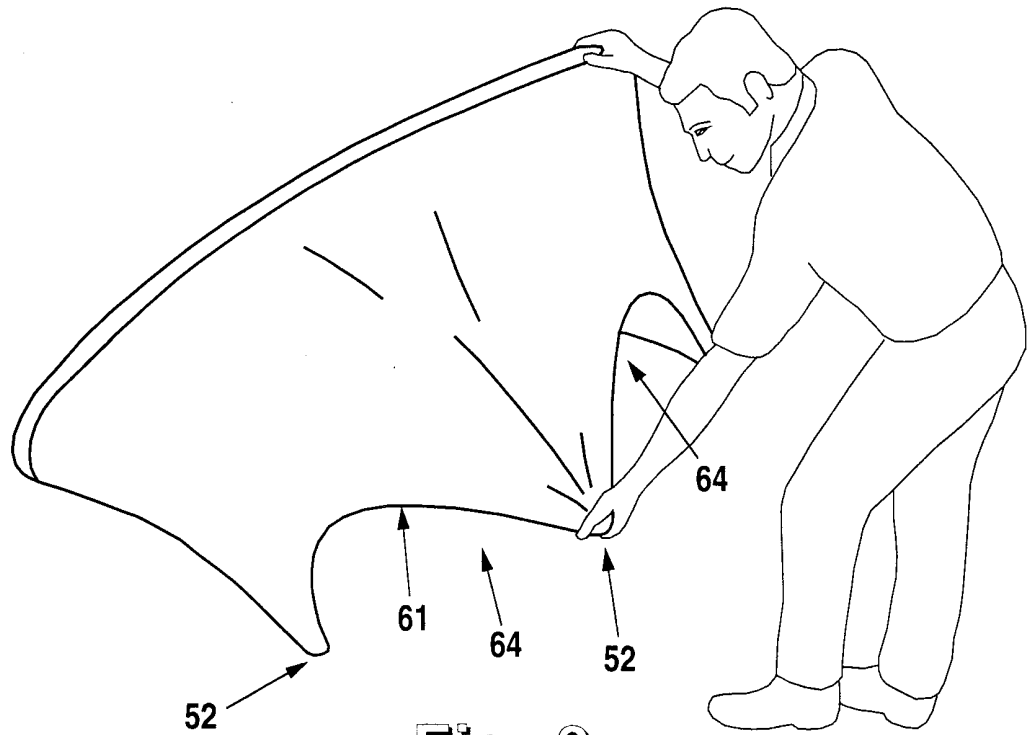


Fig. 3

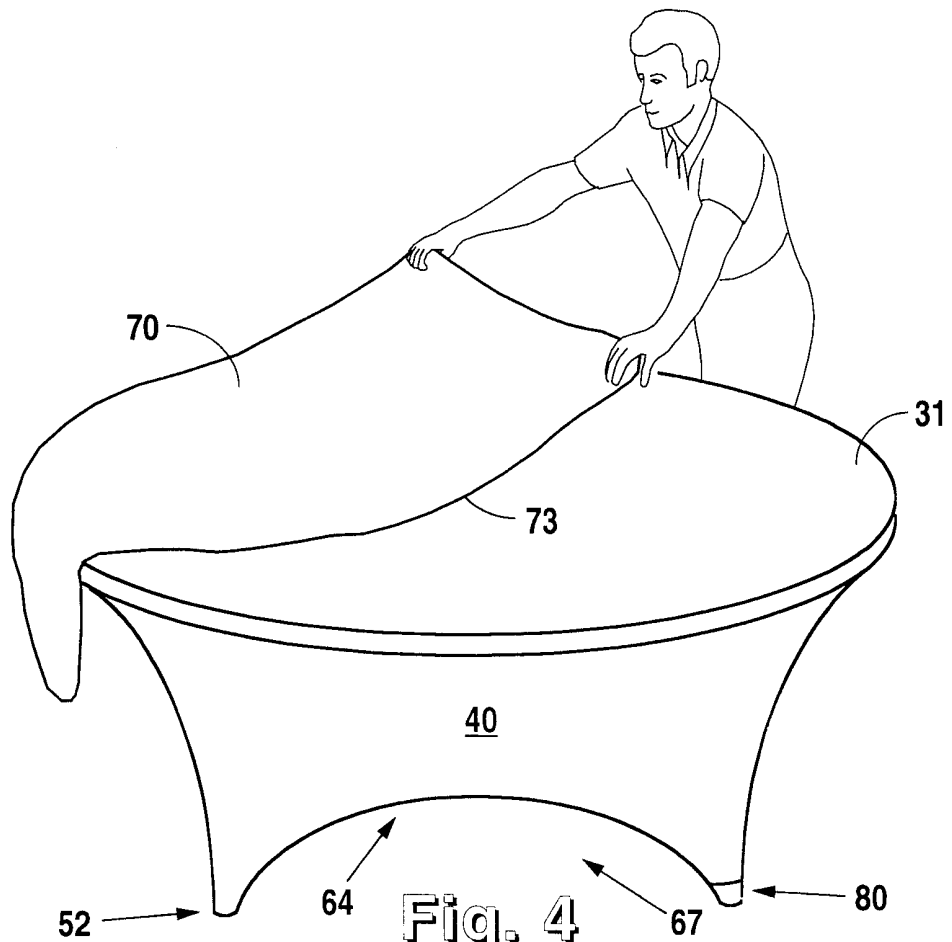


Fig. 4

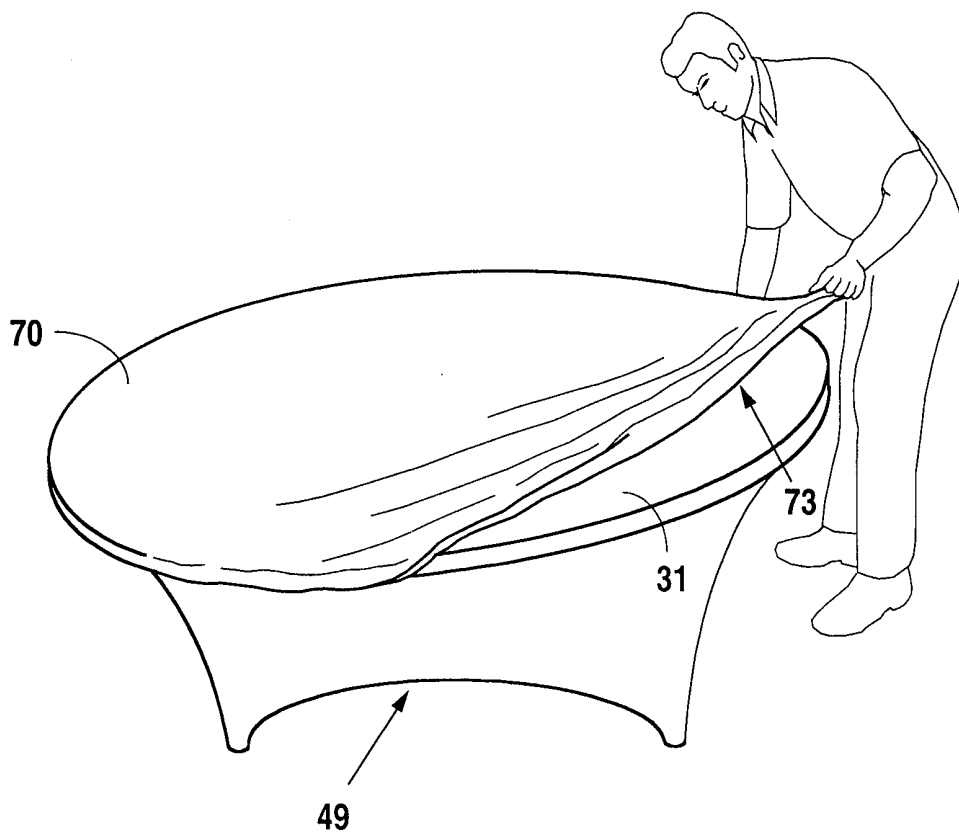


Fig. 5

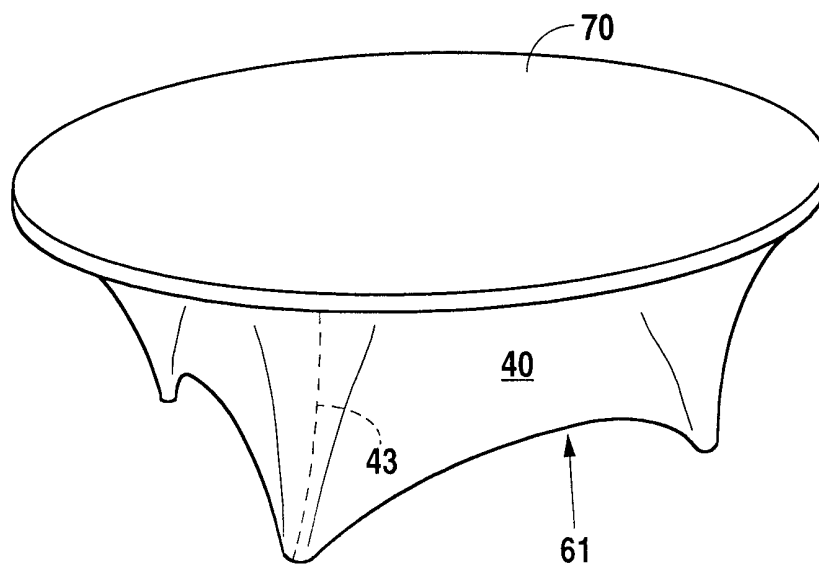


Fig. 6

4/5

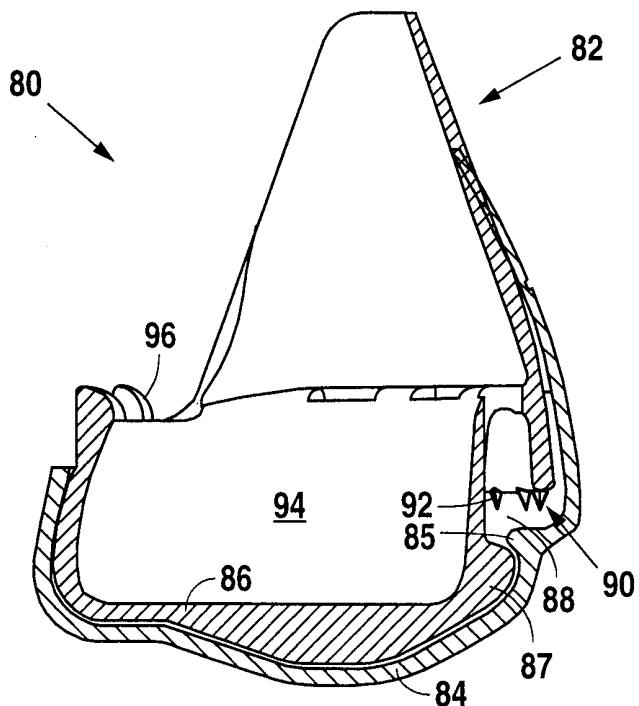


Fig. 7

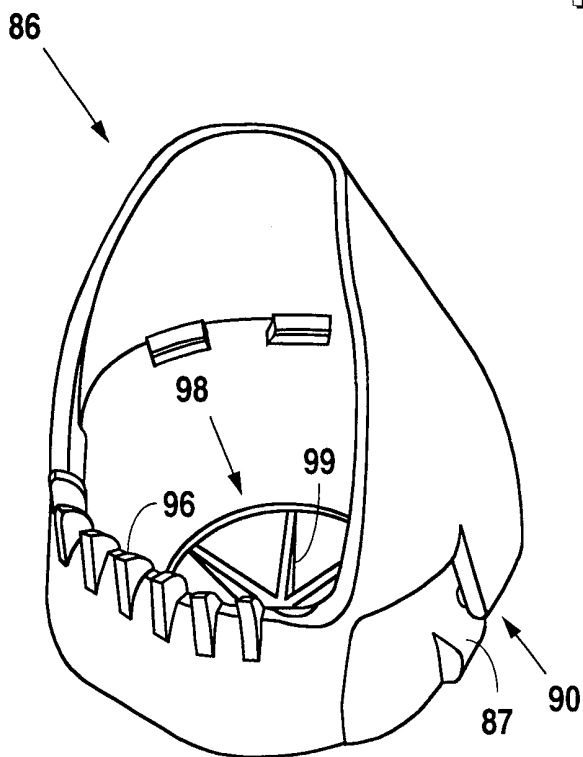


Fig. 8

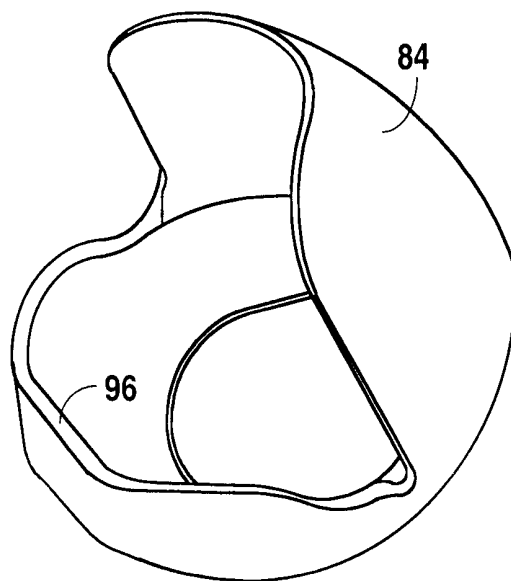


Fig. 9

5/5

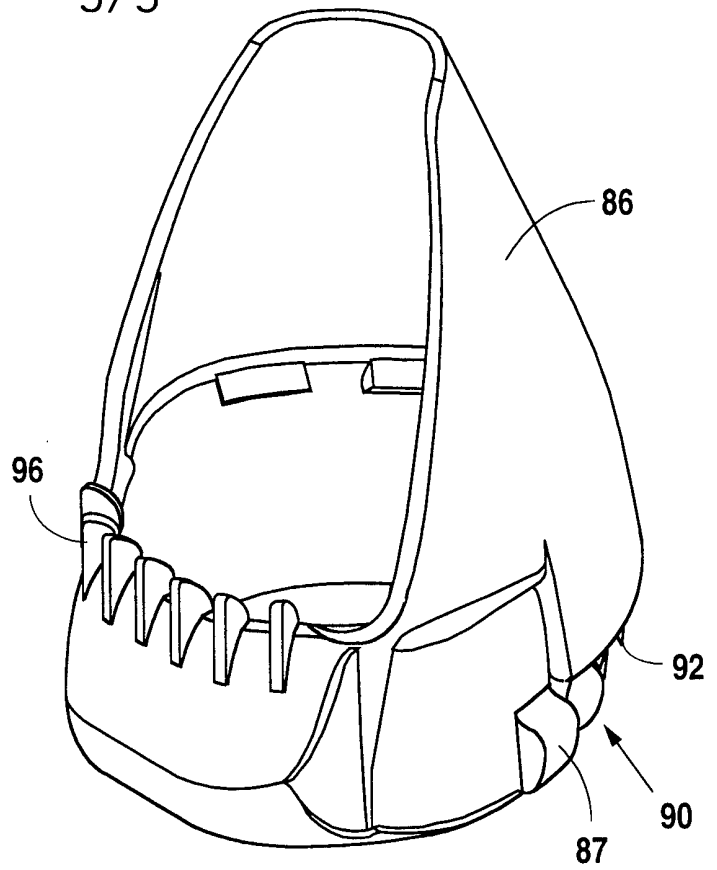


Fig. 10

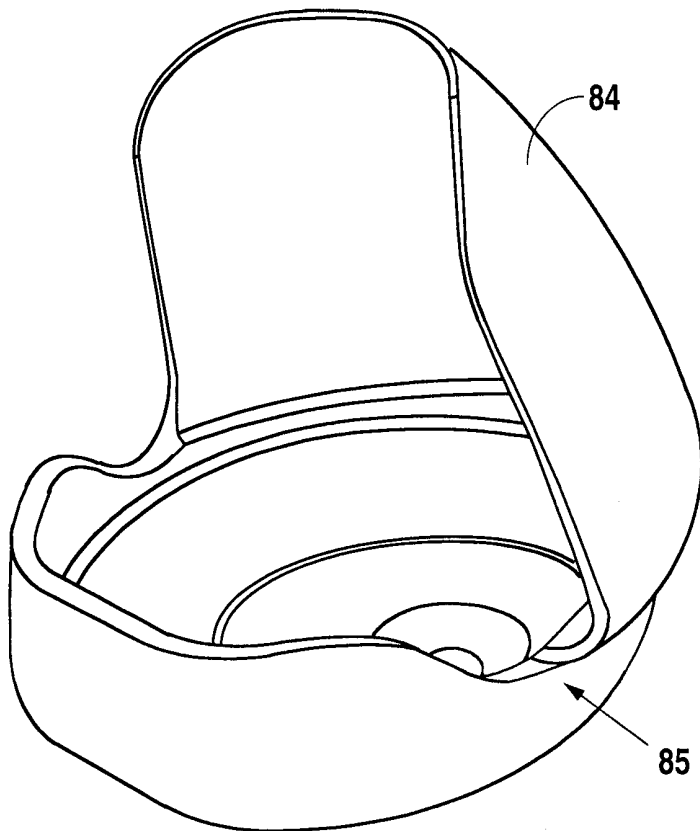


Fig. 11

INTERNATIONAL SEARCH REPORT

International application No.  
PCT/US00/01539

**A. CLASSIFICATION OF SUBJECT MATTER**  
 IPC(7) :A47B 13/08  
 US CL :108/90; 150/158  
 According to International Patent Classification (IPC) or to both national classification and IPC

**B. FIELDS SEARCHED**  
 Minimum documentation searched (classification system followed by classification symbols)  
 U.S. : 108/90; 150/158, 154; 297/219.1, 224; 5/907, 493, 496; 135/96, 115, 119

Documentation searched other than minimum documentation to the extent that such documents are included in the fields searched

Electronic data base consulted during the international search (name of data base and, where practicable, search terms used)

**C. DOCUMENTS CONSIDERED TO BE RELEVANT**

Category*	Citation of document, with indication, where appropriate, of the relevant passages	Relevant to claim No.
X	US 3,431,958 A (JUSTICE) 11 March 1969 (11/03/1969), entire document.	1, 2, 3, 5, 7, 10, 21, 22
X --- Y	Special Events Magazine, "Tableforms. Something Unique" by Something Different Linen, Inc., June 1995 (06/1995), Vol 14, No. 6, advertisement on page 110.	1-5, 15-17, 19-23 ----- 11, 12
Y	US 120,530 A (PENROSE) 31 October 1871 (31/10/1871), entire document.	11, 12

Further documents are listed in the continuation of Box C.  See patent family annex.

* Special categories of cited documents:	"T" later document published after the international filing date or priority date and not in conflict with the application but cited to understand the principle or theory underlying the invention
"A" document defining the general state of the art which is not considered to be of particular relevance	"X" document of particular relevance; the claimed invention cannot be considered novel or cannot be considered to involve an inventive step when the document is taken alone
"E" earlier document published on or after the international filing date	"Y" document of particular relevance; the claimed invention cannot be considered to involve an inventive step when the document is combined with one or more other such documents, such combination being obvious to a person skilled in the art
"L" document which may throw doubts on priority claim(s) or which is cited to establish the publication date of another citation or other special reason (as specified)	"&" document member of the same patent family
"O" document referring to an oral disclosure, use, exhibition or other means	
"P" document published prior to the international filing date but later than the priority date claimed	

Date of the actual completion of the international search 08 MARCH 2000	Date of mailing of the international search report 26 APR 2000
--	---

Name and mailing address of the ISA/US  
 Commissioner of Patents and Trademarks  
 Box PCT  
 Washington, D.C. 20231  
 Facsimile No. (703) 305-3230

Authorized officer *Janet Wilkens*  
 JANET WILKENS  
 Telephone No. (703) 308-2168