

(19) World Intellectual Property
Organization
International Bureau



(43) International Publication Date
2 December 2004 (02.12.2004)

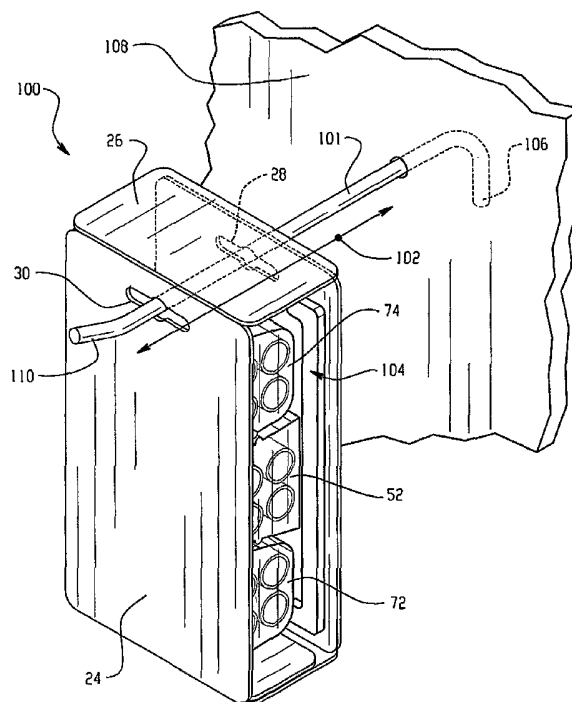
PCT

(10) International Publication Number
WO 2004/103823 A3

- (51) International Patent Classification⁷: **B65D 75/36**, 75/56
- (74) Agent: FRASER, Stewart, A.; Eveready Battery Company, Inc., 25225 Detroit Road, Westlake, OH 44145 (US).
- (21) International Application Number: PCT/US2004/014358
- (81) Designated States (unless otherwise indicated, for every kind of national protection available): AE, AG, AL, AM, AT, AU, AZ, BA, BB, BG, BR, BW, BY, BZ, CA, CH, CN, CO, CR, CU, CZ, DE, DK, DM, DZ, EC, EE, EG, ES, FI, GB, GD, GE, GH, GM, HR, HU, ID, IL, IN, IS, JP, KE, KG, KP, KR, KZ, LC, LK, LR, LS, LT, LU, LV, MA, MD, MG, MK, MN, MW, MX, MZ, NA, NI, NO, NZ, OM, PG, PH, PL, PT, RO, RU, SC, SD, SE, SG, SK, SL, SY, TJ, TM, TN, TR, TT, TZ, UA, UG, US, UZ, VC, VN, YU, ZA, ZM, ZW.
- (22) International Filing Date: 7 May 2004 (07.05.2004)
- (25) Filing Language: English
- (26) Publication Language: English
- (30) Priority Data: 10/438,428 15 May 2003 (15.05.2003) US
- (71) Applicant (for all designated States except US): EVEREADY BATTERY COMPANY, INC. [US/US]; 533 Maryville University Drive, St. Louis, MO 63141 (US).
- (84) Designated States (unless otherwise indicated, for every kind of regional protection available): ARIPO (BW, GH, GM, KE, LS, MW, MZ, NA, SD, SL, SZ, TZ, UG, ZM, ZW), Eurasian (AM, AZ, BY, KG, KZ, MD, RU, TJ, TM), European (AT, BE, BG, CH, CY, CZ, DE, DK, EE, ES, FI, FR, GB, GR, HU, IE, IT, LU, MC, NL, PL, PT, RO, SE, SI, SK, TR), OAPI (BF, BJ, CF, CG, CI, CM, GA, GN, GQ, GW, ML, MR, NE, SN, TD, TG).
- (72) Inventor; and
- (75) Inventor/Applicant (for US only): CASANOVA, Julio, C. [US/US]; 447 Nantucket Drive, Avon Lake, OH 44012 (US).

[Continued on next page]

(54) Title: HANGABLE PACKAGE STRUCTURE



(57) Abstract: A hangable package structure for use with small, heavy products that are sold in blister card packages is disclosed. The package can be suspended from a peg or displayed on a shelf without using a tray or other holder. The package prevents the occurrence of a problem known as "hanger hole tear-through" of the blister card and provides for partial portability of the purchased product.

WO 2004/103823 A3



Published:

— *with international search report*

(88) Date of publication of the international search report:

17 March 2005

For two-letter codes and other abbreviations, refer to the "Guidance Notes on Codes and Abbreviations" appearing at the beginning of each regular issue of the PCT Gazette.

INTERNATIONAL SEARCH REPORT

PCT/US2004/014358

A. CLASSIFICATION OF SUBJECT MATTER IPC 7 B65D75/36 B65D75/56		
According to International Patent Classification (IPC) or to both national classification and IPC		
B. FIELDS SEARCHED		
Minimum documentation searched (classification system followed by classification symbols) IPC 7 B65D		
Documentation searched other than minimum documentation to the extent that such documents are included in the fields searched		
Electronic data base consulted during the international search (name of data base and, where practical, search terms used) EPO-Internal		
C. DOCUMENTS CONSIDERED TO BE RELEVANT		
Category °	Citation of document, with indication, where appropriate, of the relevant passages	Relevant to claim No.
X	GB 2 096 574 A (FRASER CHEMICALS NOTTINGHAM LT) 20 October 1982 (1982-10-20) page 1, line 38 - line 52 page 1, line 113 - line 123 page 2, line 65 - line 75; figures 1-3	1,6, 9-11, 14-16 2-5
Y	GB 2 025 371 A (VOLVO AB) 23 January 1980 (1980-01-23) page 2, line 20 - line 22	2-5
Y	GB 2 025 371 A (VOLVO AB) 23 January 1980 (1980-01-23) page 2, line 20 - line 22	2-5
X	FR 2 716 443 A (AUTOMOTIVE PROD FRANCE) 25 August 1995 (1995-08-25) page 2, line 22 - page 3, line 2 page 4, line 13 - line 18; figures 1,2 ----- -/--	1,9-11, 14-16, 22,23
<input checked="" type="checkbox"/> Further documents are listed in the continuation of box C.		
<input checked="" type="checkbox"/> Patent family members are listed in annex.		
° Special categories of cited documents :		
A document defining the general state of the art which is not considered to be of particular relevance *E* earlier document but published on or after the international filing date *L* document which may throw doubts on priority claim(s) or which is cited to establish the publication date of another citation or other special reason (as specified) *O* document referring to an oral disclosure, use, exhibition or other means *P* document published prior to the international filing date but later than the priority date claimed *T* later document published after the international filing date or priority date and not in conflict with the application but cited to understand the principle or theory underlying the invention *X* document of particular relevance; the claimed invention cannot be considered novel or cannot be considered to involve an inventive step when the document is taken alone *Y* document of particular relevance; the claimed invention cannot be considered to involve an inventive step when the document is combined with one or more other such documents, such combination being obvious to a person skilled in the art. *&* document member of the same patent family		
Date of the actual completion of the international search 15 November 2004		Date of mailing of the international search report 23/11/2004
Name and mailing address of the ISA European Patent Office, P.B. 5818 Patentlaan 2 NL - 2280 HV Rijswijk Tel. (+31-70) 340-2040, Tx. 31 651 epo nl, Fax: (+31-70) 340-3016		Authorized officer Wartenhorst, F

INTERNATIONAL SEARCH REPORT

PCT/US2004/014358

C.(Continuation) DOCUMENTS CONSIDERED TO BE RELEVANT		
Category °	Citation of document, with indication, where appropriate, of the relevant passages	Relevant to claim No.
A	EP 1 201 560 A (MATSUSHITA ELECTRIC IND CO LTD) 2 May 2002 (2002-05-02) paragraph '0037!; figure 1 -----	2-5

INTERNATIONAL SEARCH REPORT

Information on patent family members

US2004/014358

Patent document cited in search report	Publication date	Patent family member(s)	Publication date
GB 2096574	A	20-10-1982	NONE
<hr style="border-top: 1px dashed black;"/>			
GB 2025371	A	23-01-1980	SE 421607 B 18-01-1982
			SE 451315 B 28-09-1987
			DE 2927991 A1 31-01-1980
			GB 2095646 A , B 06-10-1982
			JP 1415958 C 10-12-1987
			JP 55012099 A 28-01-1980
			JP 62022865 B 20-05-1987
			SE 7807628 A 08-01-1980
			US 4319684 A 16-03-1982
			US 4586316 A 06-05-1986
			SE 8102276 A 31-08-1981
<hr style="border-top: 1px dashed black;"/>			
FR 2716443	A	25-08-1995	FR 2716443 A1 25-08-1995
<hr style="border-top: 1px dashed black;"/>			
EP 1201560	A	02-05-2002	EP 1201560 A1 02-05-2002
			US 6439390 B1 27-08-2002
			CN 1345285 T 17-04-2002
			WO 0108998 A1 08-02-2001
			JP 3560231 B2 02-09-2004
			JP 2001110384 A 20-04-2001
<hr style="border-top: 1px dashed black;"/>			