

(19) World Intellectual Property Organization
International Bureau



(43) International Publication Date
27 April 2006 (27.04.2006)

PCT

(10) International Publication Number
WO 2006/043968 A3

(51) International Patent Classification:
D01D 5/00 (2006.01)

(US). ENSOR, David, S. [US/US]; 12 Sweetbriar, Chapel Hill, NC 27514 (US).

(21) International Application Number:
PCT/US2005/011036

(74) Agent: KUESTERS, Eckhard, H.; Oblon, Spivak, McClelland, Maier & Neustadt, P.C., 1940 Duke Street, Alexandria, VA 22314 (US).

(22) International Filing Date: 1 April 2005 (01.04.2005)

(81) Designated States (unless otherwise indicated, for every kind of national protection available): AE, AG, AL, AM, AT, AU, AZ, BA, BB, BG, BR, BW, BY, BZ, CA, CH, CN, CO, CR, CU, CZ, DE, DK, DM, DZ, EC, EE, EG, ES, FI, GB, GD, GE, GH, GM, HR, HU, ID, IL, IN, IS, JP, KE, KG, KP, KR, KZ, LC, LK, LR, LS, LT, LU, LV, MA, MD, MG, MK, MN, MW, MX, MZ, NA, NI, NO, NZ, OM, PG, PH, PL, PT, RO, RU, SC, SD, SE, SG, SK, SL, SM, SY, TJ, TM, TN, TR, TT, TZ, UA, UG, US, UZ, VC, VN, YU, ZA, ZM, ZW.

(25) Filing Language: English

(26) Publication Language: English

(30) Priority Data:
10/819,942 8 April 2004 (08.04.2004) US

(71) Applicant: RESEARCH TRIANGLE INSTITUTE [US/US]; P.O. Box 12194, Research Triangle Park, NC 27709 (US).

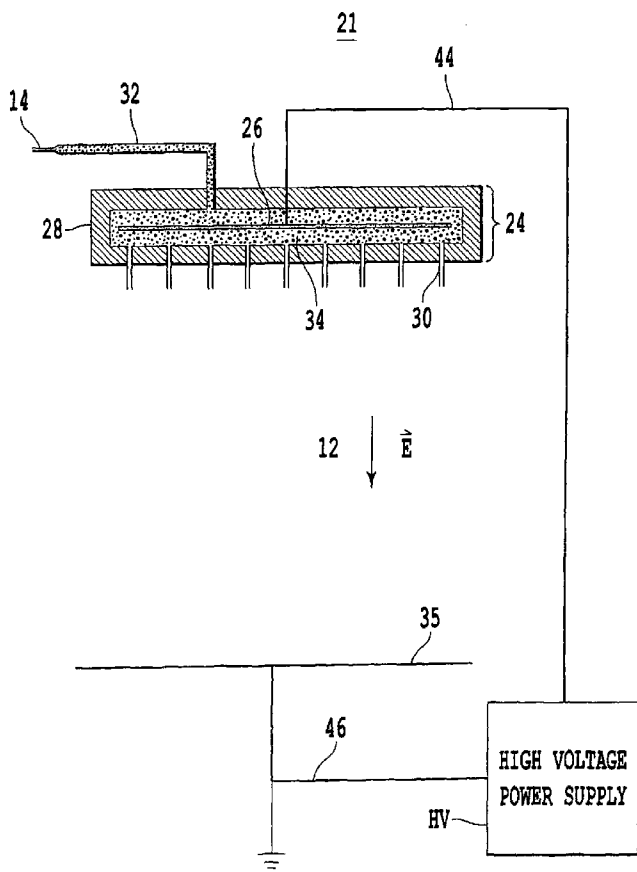
(72) Inventors; and

(75) Inventors/Applicants (for US only): ANDRADY, Anthony, L. [US/US]; 102 Hasbrouck Drive, Apex, NC 27502

(84) Designated States (unless otherwise indicated, for every kind of regional protection available): ARIPO (BW, GH, GM, KE, LS, MW, MZ, NA, SD, SL, SZ, TZ, UG, ZM, ZW), Eurasian (AM, AZ, BY, KG, KZ, MD, RU, TJ, TM),

[Continued on next page]

(54) Title: ELECTROSPRAY/ ELECTROSPINNING APPARATUS AND METHOD



(57) Abstract: Apparatus and method for producing fibrous materials in which the apparatus includes an enclosure having an inlet configured to receive a substance from which the fibrous materials are to be composed, a common electrode disposed in the enclosure, and plural extrusion elements provided in a wall of the enclosure opposite the common electrode so as to define between the plural extrusion elements and the common electrode a space in communication with the inlet to receive the substance in the space. In the method, a substance from which the fibrous materials are to be composed is fed to the enclosure having the plural extrusion elements, a common electric field is applied to the extrusion elements in a direction in which the substance is to be extruded, the substance is extruded through the extrusion elements to tips of the extrusion elements, and the substance is electrospayed from the tips to form the fibrous materials.

WO 2006/043968 A3



European (AT, BE, BG, CH, CY, CZ, DE, DK, EE, ES, FI, FR, GB, GR, HU, IE, IS, IT, LT, LU, MC, NL, PL, PT, RO, SE, SI, SK, TR), OAPI (BF, BJ, CF, CG, CI, CM, GA, GN, GQ, GW, ML, MR, NE, SN, TD, TG).

(15) Information about Correction:

Previous Correction:

see PCT Gazette No. 23/2006 of 8 June 2006

Published:

— *with international search report*

(88) Date of publication of the international search report:

11 January 2007

For two-letter codes and other abbreviations, refer to the "Guidance Notes on Codes and Abbreviations" appearing at the beginning of each regular issue of the PCT Gazette.

INTERNATIONAL SEARCH REPORT

International application No.

PCT/US05/11036

A. CLASSIFICATION OF SUBJECT MATTER
 IPC: **D01D 5/00(2006.01)**

USPC: 264/465;425/174.8E
 According to International Patent Classification (IPC) or to both national classification and IPC

B. FIELDS SEARCHED

Minimum documentation searched (classification system followed by classification symbols)
 U.S. : 264/465; 425/174.8E

Documentation searched other than minimum documentation to the extent that such documents are included in the fields searched

Electronic data base consulted during the international search (name of data base and, where practicable, search terms used)

C. DOCUMENTS CONSIDERED TO BE RELEVANT

Category *	Citation of document, with indication, where appropriate, of the relevant passages	Relevant to claim No.
Y	US 2002/0122840 A1 (LEE et al) 05 September 2002 (05.09.2002), paragraph [0016].	1-47

Further documents are listed in the continuation of Box C. See patent family annex.

* Special categories of cited documents:	"T" later document published after the international filing date or priority date and not in conflict with the application but cited to understand the principle or theory underlying the invention
"A" document defining the general state of the art which is not considered to be of particular relevance	"X" document of particular relevance; the claimed invention cannot be considered novel or cannot be considered to involve an inventive step when the document is taken alone
"E" earlier application or patent published on or after the international filing date	"Y" document of particular relevance; the claimed invention cannot be considered to involve an inventive step when the document is combined with one or more other such documents, such combination being obvious to a person skilled in the art
"L" document which may throw doubts on priority claim(s) or which is cited to establish the publication date of another citation or other special reason (as specified)	"&" document member of the same patent family
"O" document referring to an oral disclosure, use, exhibition or other means	
"P" document published prior to the international filing date but later than the priority date claimed	

Date of the actual completion of the international search 12 June 2006 (12.06.2006)	Date of mailing of the international search report 28 SEP 2006
Name and mailing address of the ISA/US Mail Stop PCT, Attn: ISA/US Commissioner for Patents P.O. Box 1450 Alexandria, Virginia 22313-1450 Facsimile No. (571) 273-3201	Authorized officer Leo B. Tentoni Telephone No. (571) 272-1300 