

(19) World Intellectual Property Organization
International Bureau



(43) International Publication Date
28 October 2010 (28.10.2010)

(10) International Publication Number
WO 2010/124214 A3

(51) International Patent Classification:

B65D 81/38 (2006.01) *B65D 33/24* (2006.01)
B65D 30/22 (2006.01) *B65D 81/03* (2006.01)
B65D 30/08 (2006.01)

(21) International Application Number:

PCT/US2010/032249

(22) International Filing Date:

23 April 2010 (23.04.2010)

(25) Filing Language:

English

(26) Publication Language:

English

(30) Priority Data:

61/214,364 23 April 2009 (23.04.2009) US
12/652,661 5 January 2010 (05.01.2010) US

(71) Applicant (for all designated States except US): **PACK-IT, LLC** [US/US]; Suite 1400, 100 Wilshire Blvd., Santa Monica, California 90401 (US).

(72) Inventors; and

(75) Inventors/Applicants (for US only): **KIELING, Melissa Renee** [US/US]; Suite 1400, 100 Wilshire Blvd., Santa Monica, California 90401 (US). **BRISACHER-DIRK-**

SEN, Jeanette Marie [US/US]; Suite 1400, 100 Wilshire Blvd., Santa Monica, California 90401 (US).

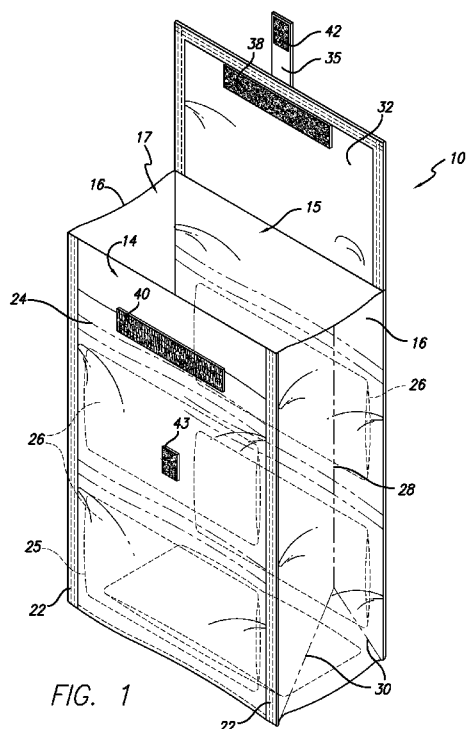
(74) Agents: **RAWLINS, Patric J.** et al.; 525 B Street, Suite 2200, San Diego, California 92101 (US).

(81) Designated States (unless otherwise indicated, for every kind of national protection available): AE, AG, AL, AM, AO, AT, AU, AZ, BA, BB, BG, BH, BR, BW, BY, BZ, CA, CH, CL, CN, CO, CR, CU, CZ, DE, DK, DM, DO, DZ, EC, EE, EG, ES, FI, GB, GD, GE, GH, GM, GT, HN, HR, HU, ID, IL, IN, IS, JP, KE, KG, KM, KN, KP, KR, KZ, LA, LC, LK, LR, LS, LT, LU, LY, MA, MD, ME, MG, MK, MN, MW, MX, MY, MZ, NA, NG, NI, NO, NZ, OM, PE, PG, PH, PL, PT, RO, RS, RU, SC, SD, SE, SG, SK, SL, SM, ST, SV, SY, TH, TJ, TM, TN, TR, TT, TZ, UA, UG, US, UZ, VC, VN, ZA, ZM, ZW.

(84) Designated States (unless otherwise indicated, for every kind of regional protection available): ARIPO (BW, GH, GM, KE, LR, LS, MW, MZ, NA, SD, SL, SZ, TZ, UG, ZM, ZW), Eurasian (AM, AZ, BY, KG, KZ, MD, RU, TJ, TM), European (AT, BE, BG, CH, CY, CZ, DE, DK, EE, ES, FI, FR, GB, GR, HR, HU, IE, IS, IT, LT, LU, LV, MC, MK, MT, NL, NO, PL, PT, RO, SE, SI, SK, SM,

[Continued on next page]

(54) Title: COLLAPSIBLE INSULATED CONTAINER



(57) Abstract: A collapsible insulated container has a base wall and a peripheral wall with an open end defining an enclosure. The peripheral wall has at least two layers and is divided into elongate pockets between the layers, with foldable crease lines between adjacent pockets. Each pocket contains a flexible-walled, insulating gel pack which substantially fills the pocket. The crease lines may be defined by stitching securing the outer and inner layers of the container together. The gel packs may be surrounded by matting, foam or mesh material which is sewn into the lines of stitching, or may have integral peripheral rims sewn into the lines of stitching. The container is foldable between an erect, open condition and a storage condition in which it is folded along the crease lines into a substantially flattened package.

WO 2010/124214 A3



TR), OAPI (BF, BJ, CF, CG, CI, CM, GA, GN, GQ, GW, ML, MR, NE, SN, TD, TG).

— *before the expiration of the time limit for amending the claims and to be republished in the event of receipt of amendments (Rule 48.2(h))*

Published:

— *with international search report (Art. 21(3))*

(88) Date of publication of the international search report:
24 February 2011

INTERNATIONAL SEARCH REPORT

International application No.
PCT/US2010/032249**A. CLASSIFICATION OF SUBJECT MATTER***B65D 81/38(2006.01)i, B65D 30/22(2006.01)i, B65D 30/08(2006.01)i, B65D 33/24(2006.01)i, B65D 81/03(2006.01)i*

According to International Patent Classification (IPC) or to both national classification and IPC

B. FIELDS SEARCHED

Minimum documentation searched (classification system followed by classification symbols)

B65D 81/38; A47J 41/00; B65D 81/03; B65D 30/08; B65D 30/22; B65D 65/02; A45C 7/00

Documentation searched other than minimum documentation to the extent that such documents are included in the fields searched

Korean utility models and applications for utility models

Japanese utility models and applications for utility models

Electronic data base consulted during the international search (name of data base and, where practicable, search terms used)

eKOMPASS(KIPO internal) & Keywords: insulating, pocket, foldable

C. DOCUMENTS CONSIDERED TO BE RELEVANT

Category*	Citation of document, with indication, where appropriate, of the relevant passages	Relevant to claim No.
A	EP 1384685 A1 (CLINIMED (HOLDINGS) LIMITED) 28 January 2004 See claim 1 and figures 1-3.	1-21
A	JP 2002-205776 A (TEIJIN LTD) 23 July 2002 See figure 2.	1-21
A	US 4679242 A1 (BROCKHAUS; PETER B.) 07 July 1987 See claim 1 and figure 1.	1-21
A	US 2001-0006083 A1 (ROBERT W. HABERKORN) 05 July 2001 See figures 24 and 25.	1-21

 Further documents are listed in the continuation of Box C. See patent family annex.

* Special categories of cited documents:

"A" document defining the general state of the art which is not considered to be of particular relevance

"E" earlier application or patent but published on or after the international filing date

"L" document which may throw doubts on priority claim(s) or which is cited to establish the publication date of citation or other special reason (as specified)

"O" document referring to an oral disclosure, use, exhibition or other means

"P" document published prior to the international filing date but later than the priority date claimed

"T" later document published after the international filing date or priority date and not in conflict with the application but cited to understand the principle or theory underlying the invention

"X" document of particular relevance; the claimed invention cannot be considered novel or cannot be considered to involve an inventive step when the document is taken alone

"Y" document of particular relevance; the claimed invention cannot be considered to involve an inventive step when the document is combined with one or more other such documents, such combination being obvious to a person skilled in the art

"&" document member of the same patent family

Date of the actual completion of the international search

04 JANUARY 2011 (04.01.2011)

Date of mailing of the international search report

04 JANUARY 2011 (04.01.2011)

Name and mailing address of the ISA/KR

Korean Intellectual Property Office
Government Complex-Daejeon, 139 Seonsa-ro, Seo-
gu, Daejeon 302-701, Republic of Korea

Facsimile No. 82-42-472-7140

Authorized officer

HAN, Chang Soo

Telephone No. 82-42-481-5463



INTERNATIONAL SEARCH REPORT

Information on patent family members

International application No.

PCT/US2010/032249

Patent document cited in search report	Publication date	Patent family member(s)	Publication date
EP 1384685 A1	28.01.2004	GB 0217331 D0	04.09.2002
JP 2002-205776 A	23.07.2002	None	
US 4679242 A1	07.07.1987	None	
US 2001-0006083 A1	05.07.2001	US 2003-0024620 A1	06.02.2003
		US 5609265 A1	11.03.1997
		US 5906290 A1	25.05.1999
		US 6196287 B1	06.03.2001
		US 6478061 B2	12.11.2002