

CORRECTED VERSION

(19) World Intellectual Property Organization
International Bureau



(10) International Publication Number
WO 2021/034899 A8

(43) International Publication Date
25 February 2021 (25.02.2021)

(51) International Patent Classification:

- H01M 6/06 (2006.01) H01M 4/50 (2010.01)
- H01M 6/22 (2006.01) H01M 4/62 (2006.01)
- H01M 6/40 (2006.01) G02F 1/153 (2006.01)
- H01M 6/52 (2006.01) H01G 9/20 (2006.01)
- H01M 2/14 (2006.01) H01M 8/0202 (2016.01)
- H01M 2/16 (2006.01) C25B 9/00 (2006.01)
- H01M 4/38 (2006.01)

(21) International Application Number:

PCT/US2020/046932

(22) International Filing Date:

19 August 2020 (19.08.2020)

(25) Filing Language:

English

(26) Publication Language:

English

(30) Priority Data:

62/889,114 20 August 2019 (20.08.2019) US

(71) Applicants: XEROX CORPORATION [US/US]; 201 Merritt 7, P.O. Box 4505, Norwalk, CT 06851 (US). NATIONAL RESEARCH COUNCIL OF CANADA [CA/CA]; 1200 Montreal Road, Building M-55, Room 29C, Ottawa, Ontario K1A 0R6 (CA).

(72) Inventors: CHOPRA, Naveen; 2071 Sprucedale Drive, Oakville, Ontario L6H 5W4 (CA). HU, Nan-Xing; 2387 Rock Point Drive, Oakville, Ontario L6H 5J6 (CA).

McGUIRE, Gregory; 2280 Fairmount Drive, Oakville, Ontario L6M 5J6 (CA). BLACK, Robert; Unit 145-350 Columbia St. W, Waterloo, Ontario N2L 6P3 (CA). LAFORGUE, Alexis; 5155 Avenue De Lorimier, Montreal, Québec H2H 2C1 (CA). LAM, Edmond; 855 Rue Irene, Apt. 162, Montreal, Québec H4C 2P2 (CA). LEUNG, Chi Woon; 119-1601 Rue Viola-Desmond, LaSalle, Québec H8N 0G2 (CA). LIU, Yali; 105 Longmore Av., Pointe Claire, Québec H9S 5A4 (CA). REGNIER, Sophie; 6979 Chateaubriand, Montreal, Québec H2S 2P2 (CA). CHAPLEAU, Nathalie; 1912 Rosemont, Montreal, Québec H2G 1S6 (CA). MOKRINI, Asmae; 4249 Wilson, Montreal, Québec H4A 2V1 (CA).

(74) Agent: LIU, Harvey, A.; MH2 Technology Law Group, 1951 Kidwell Drive, Suite 310, Tysons Corner, VA 22182 (US).

(81) Designated States (unless otherwise indicated, for every kind of national protection available): AE, AG, AL, AM, AO, AT, AU, AZ, BA, BB, BG, BH, BN, BR, BW, BY, BZ, CA, CH, CL, CN, CO, CR, CU, CZ, DE, DJ, DK, DM, DO, DZ, EC, EE, EG, ES, FI, GB, GD, GE, GH, GM, GT, HN, HR, HU, ID, IL, IN, IR, IS, IT, JO, JP, KE, KG, KH, KN, KP, KR, KW, KZ, LA, LC, LK, LR, LS, LU, LY, MA, MD, ME, MG, MK, MN, MW, MX, MY, MZ, NA, NG, NI, NO, NZ, OM, PA, PE, PG, PH, PL, PT, QA, RO, RS, RU, RW, SA, SC, SD, SE, SG, SK, SL, ST, SV, SY, TH, TJ, TM, TN, TR, TT, TZ, UA, UG, US, UZ, VC, VN, WS, ZA, ZM, ZW.

(54) Title: BIODEGRADABLE ELECTROCHEMICAL DEVICE

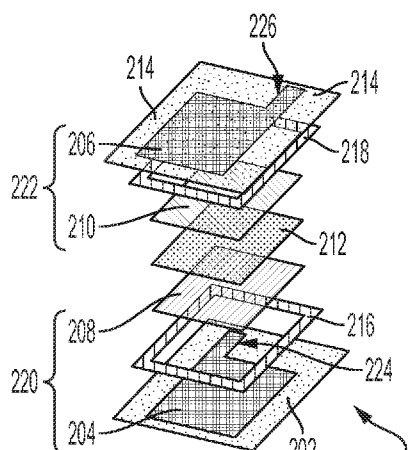


FIG. 2

(57) Abstract: A biodegradable solid aqueous electrolyte composition, an electrochemical device incorporating the electrolyte composition, and methods for the same are provided. The electrolyte composition may include a hydrogel of a copolymer and a salt dispersed in the hydrogel. The copolymer may include at least two polycaprolactone chains attached to a polymeric center block. The electrochemical device may include an anode, a cathode, and the electrolyte composition disposed between the anode and the cathode. The electrolyte composition may include a crosslinked, biodegradable polymeric material that is radiatively curable prior to being crosslinked.



WO 2021/034899 A8

(84) Designated States (*unless otherwise indicated, for every kind of regional protection available*): ARIPO (BW, GH, GM, KE, LR, LS, MW, MZ, NA, RW, SD, SL, ST, SZ, TZ, UG, ZM, ZW), Eurasian (AM, AZ, BY, KG, KZ, RU, TJ, TM), European (AL, AT, BE, BG, CH, CY, CZ, DE, DK, EE, ES, FI, FR, GB, GR, HR, HU, IE, IS, IT, LT, LU, LV, MC, MK, MT, NL, NO, PL, PT, RO, RS, SE, SI, SK, SM, TR), OAPI (BF, BJ, CF, CG, CI, CM, GA, GN, GQ, GW, KM, ML, MR, NE, SN, TD, TG).

Published:

— *with international search report (Art. 21(3))*

(48) Date of publication of this corrected version:

23 September 2021 (23.09.2021)

(15) Information about Correction:

see Notice of 23 September 2021 (23.09.2021)