

(12) **UK Patent Application** (19) **GB** (11) **2 379 382** (13) **A**

(43) Date of A Publication **12.03.2003**

(21) Application No **0220720.7**

(22) Date of Filing **06.09.2002**

(30) Priority Data

(31) **0121539** (32) **06.09.2001** (33) **GB**

(51) INT CL⁷

A47L 25/00

(52) UK CL (Edition V)

A4F FQAD

(56) Documents Cited

FR 002692132 A **US 3623179 A**

(58) Field of Search

UK CL (Edition T) **A4F**

INT CL⁷ **A47L 25/00**

Other: **ONLINE: WPI, EPODOC, PAJ**

(71) Applicant(s)

Francis David Harper-Jones
Lunken Security Systems, The Larches,
Blackpond Lane, FARNHAM ROYAL,
Bucks, SL2 3ED, United Kingdom

Robert Francis Needs Grazebrook
Farm Cottage, Colinswood Road,
Farnham Common, SLOUGH, SL2 3LJ,
United Kingdom

(74) Agent and/or Address for Service

Urquhart-Dykes & Lord
Three Trinity Court, 21-27 Newport Road,
CARDIFF, CF24 0AA, United Kingdom

(72) Inventor(s)

Francis David Harper-Jones
Robert Francis Needs Grazebrook

(54) Abstract Title

A container for a lint remover

(57) A container for a lint remover comprises an open-top, receptacle (1) having a pin (2) extending from its base. The container is arranged to receive the adhesive tape roll (4) of a lint remover within its receptacle (1), the end of the lint remover being provided with a central opening (5,9) extending axially into it so that the lint remover is located over the pin (2) of the container to ensure a clearance (8) between the adhesive tape roll (4) of the lint remover and the inner surface of the receptacle (1).

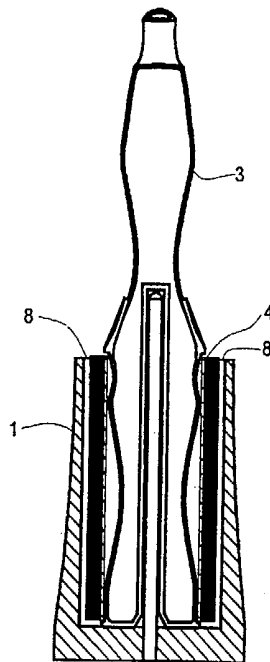


Figure 3

GB 2 379 382 A

1/1

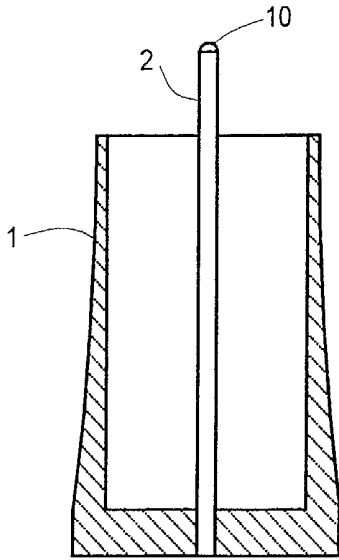


Figure 1

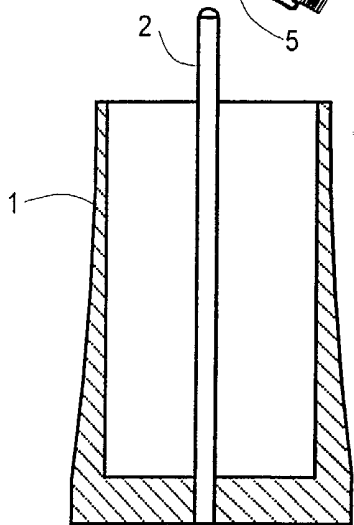
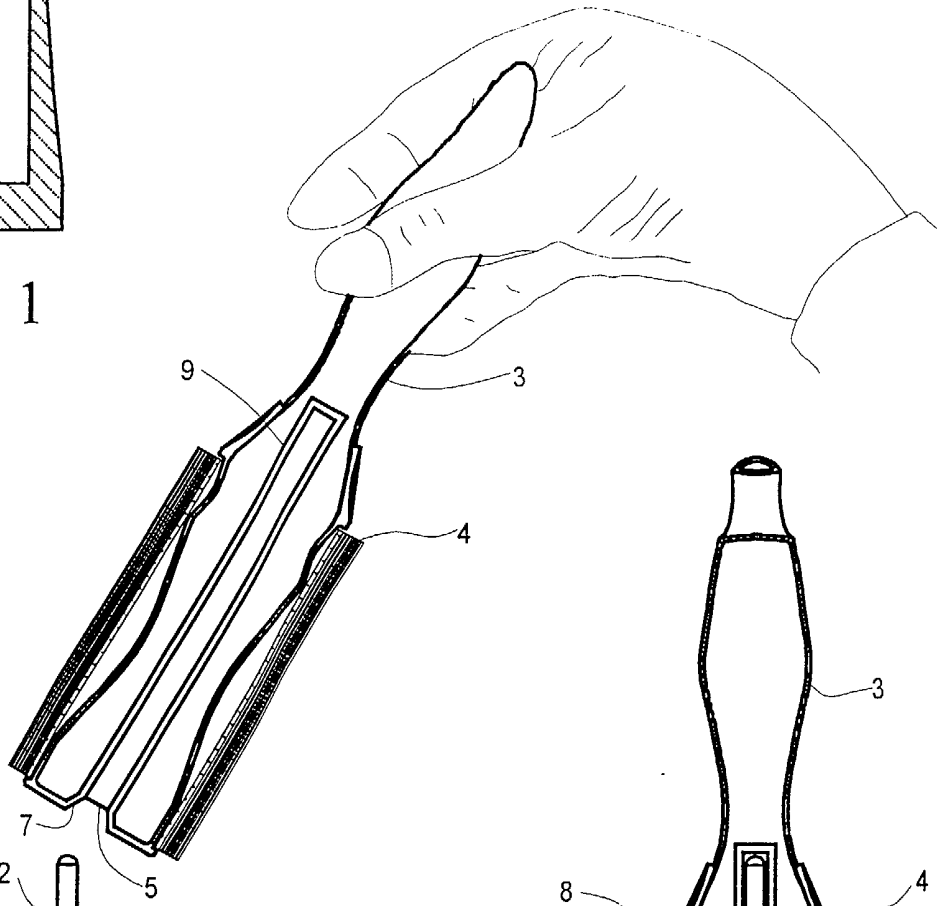


Figure 2

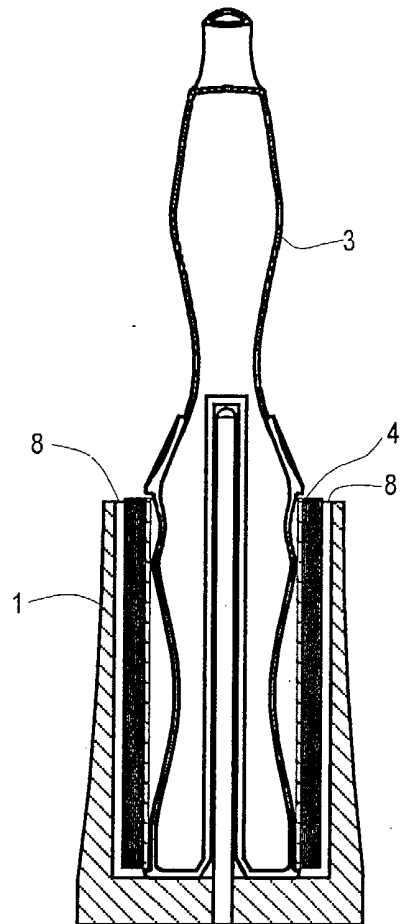


Figure 3

Lint Remover and Container Therefor

The present invention relates to a lint remover and to a container for a lint remover.

Lint removers are widely used for removing lint, fluff, hair, dust and other loose particles from clothing, upholstery, carpets and other materials. Such lint removers comprise an elongate body formed at one end as a handle and arranged at the other end to receive a roll of adhesive tape which is wound so that the adhesive is on the outside: the adhesive provided on the tape is tacky so that it readily picks up lint or other loose matter when it is rolled over the surface to be cleaned. When supplied new, the roll of adhesive tape is protected by a cover, for example comprising a film wrapper in the form of a sheet pretreated, on the side in contact with the adhesive tape, with a silicone or other material which prevents bonding to the adhesive: the wrapper is wound around the adhesive tape roll so that its ends overlap and are held down by a removable adhesive tag. In order to use the lint remover, the wrapper must first be removed and put aside: after use, the wrapper must be replaced, otherwise the adhesive roll may come into contact accidentally with a surface to which it will adhere and may cause damage or at least cause inconvenience. Replacing the protective wrapper is however not always a simple operation and can be irritating to the user. In other lint removers, a cap is provided for fitting over the roll of adhesive tape, but again this must be taken off and put to one side before the lint remover can be used, then retrieved and re-applied afterwards.

We have now devised arrangements for overcoming these difficulties.

In accordance with the present invention, there is provided a container for a lint remover, the container comprising an open-top receptacle having a pin extending from its base, the container being arranged for receiving the adhesive tape roll of the lint remover within its receptacle

and with the lint remover located over the pin of the container to ensure a clearance between the adhesive tape roll of the lint remover and the inner surface of the receptacle.

It will be appreciated that the container can be stood
5 on a horizontal surface and that lint remover inserted, so that the adhesive tape roll is stored within the receptacle of the container whilst the handle of the lint remover projects from the open top of the container. The location of the lint
remover on the pin of the container prevents contact between
10 the adhesive tape roll and the inner surface of the receptacle.

Preferably the pin projects outwardly from the top of the receptacle, enabling the lint remover to be located on the pin before it enters the receptacle of the container. Preferably the top of the pin is rounded.

Typically, the receptacle will be circular in cross-
15 section but is preferably larger in diameter (or cross-section) at its base than its top, so that it will stand stably on a horizontal surface.

Also in accordance with the present invention, there is
20 provided a lint remover for reception by a container as defined above, the lint remover comprising an elongate body formed at one end as a handle and arranged at its other end to receive a roll of adhesive tape, said other end being provided with a central opening extending axially into said body, to receive
25 said pin of the container.

An embodiment of the present invention will now be described by way of example only and with reference to the accompanying drawings, in which:

FIGURE 1 is a sectional view of a lint remover
30 container in accordance with the invention;

FIGURE 2 is a sectional view of the container and of a lint remover (also in accordance with the invention) about to be placed inside the container; and

FIGURE 3 is a sectional view of the lint remover
35 sitting within the container.

Referring to Figure 1 of the drawings, there is shown a container which comprises a circular-section, open-ended receptacle or pot 1 having a pin 2 mounted to its base and extending upwardly along its axis. The pin 2 projects above the top or rim of the pot 1 and its upper end 10 is rounded. The underside of the base of the pot 1 is flat (although it may instead be dished in concave manner) and the pot is slightly larger in diameter at its base than at its top, so that the pot is stable when resting on a horizontal surface. The vertical length of the interior of the pot 1 is approximately the same as the width of the roll of adhesive tape of the lint remover.

Figure 2 shows the lint remover which the container is arranged to receive: the lint remover comprises an elongate body formed at one end as a handle 3 and at the other end with a co-axial inner tube 9 and also arranged to receive a roll 4 of adhesive tape. The inner tube 9 is provided with an open end 5, which is formed with a conical chamfer 7, which facilitate the engagement of the tube 9 over the pin 2 of the container.

It will be appreciated that the projection of the pin 2 above the top of the pot 1 enables the lint remover to be located on the pin 2 of the container, before the lint remover enters the pot 1. Figure 3 shows the lint remover once seated within the pot 1, the roll 4 of adhesive tape being positioned within the pot 1 and the pin 2 received within the inner tube 9 of the lint remover. The internal diameter of the pot 1 is sufficiently large to provide a small annular clearance 8 between the roll 4 and the inner surface of the pot. The lint remover may be inserted into and removed from the pot 1 without the risk of the roll 4 coming into contact with the inner surface of the pot 1.

The pot 1 may be manufactured from any of a variety of materials, including plastics, ceramic, porcelain, wood and metal. The outer shape may be of any desired shape which is aesthetically pleasing. The outer surface of the pot 1 may be

plain or decorated. The pin 2 of the container may comprise a solid rod, e.g. of metal, wood or plastics material: alternatively, it may comprise a tube provided with a plug to form its rounded upper end 10.

5 Whilst the container which has been described is arranged to stand vertically on a horizontal support surface, it may instead be arranged to stand at an angle to the vertical (e.g. an angle of up to 30° to the vertical) when standing on a horizontal support surface.

Claims

1. A container for a lint remover, the container comprising an open-top receptacle having an elongate pin extending from its base, the container being arranged for receiving the adhesive tape roll of the lint remover within its receptacle and with the lint remover located over the pin of the container to ensure a clearance between the adhesive tape roll of the lint remover and the inner surface of the receptacle.
2. A container as claimed in claim 1, in which said pin projects outwardly from the top of said receptacle.
3. A container as claimed in claim 1 or 2, in which the top of said pin is rounded.
4. A container as claimed in any preceding claim, in which said receptacle is circular in cross-section.
5. A container as claimed in any preceding claim, in which said receptacle is larger in cross-section at its base than at its top.
6. A container as claimed in any preceding claim, in which said receptacle is formed of plastics material, ceramic, porcelain, wood or metal.
7. A container as claimed in any preceding claim, in which said pin is formed of metal, wood or plastics material.
8. A container for a lint remover, the container being substantially as herein described with reference to the accompanying drawings.
9. A lint remover for reception by a container as claimed

in any preceding claim, the lint remover comprising an elongate body formed at one end as a handle and arranged at its other end to receive a roll of adhesive tape, said other end being provided with a central opening extending axially into said
5 body, to receive said pin of the container.



7.



INVESTOR IN PEOPLE

Application No: GB 0220720.7
Claims searched: 1-9

Examiner: Rhodri Evans
Date of search: 25 November 2002

Patents Act 1977
Search Report under Section 17

Databases searched:

UK Patent Office collections, including GB, EP, WO & US patent specifications, in:
UK Cl (Ed.T): A4F
Int Cl (Ed.7): A47L 25/00
Other: ONLINE: WPI, PAJ, EPODOC.

Documents considered to be relevant:

Category	Identity of document and relevant passage	Relevant to claims
A	US 3623179 A (Roth)	
X	FR 2692132 A (Choi) 17.12.93 (see figures and WPI abstract accession number 1994-018132 [03]).	1-9

X	Document indicating lack of novelty or inventive step	A	Document indicating technological background and/or state of the art.
Y	Document indicating lack of inventive step if combined with one or more other documents of same category.	P	Document published on or after the declared priority date but before the filing date of this invention.
&	Member of the same patent family	E	Patent document published on or after, but with priority date earlier than, the filing date of this application.