

(19) World Intellectual Property Organization  
International Bureau



(43) International Publication Date  
18 August 2005 (18.08.2005)

PCT

(10) International Publication Number  
WO 2005/075765 A3

(51) International Patent Classification<sup>7</sup>: F42B 10/14, B64C 5/12

(21) International Application Number: PCT/US2004/035506

(22) International Filing Date: 26 October 2004 (26.10.2004)

(25) Filing Language: English

(26) Publication Language: English

(30) Priority Data: 10/695,500 27 October 2003 (27.10.2003) US

(71) Applicant (for all designated States except US): HR TEXTRON INC. [US/US]; 25200 W. Rye Canyon Road, Santa Clarita, California 91355 (US).

(72) Inventor; and

(75) Inventor/Applicant (for US only): HAWTHORNE, Dana, D.; 23658 Via Rana, Valencia, California 91355 (US).

(74) Agents: HUANG, David, E. et al.; Chapin & Huang, LLC, Westborough Office Park, 1700 West Park Drive, Westborough, Massachusetts 01581 (US).

(81) Designated States (unless otherwise indicated, for every kind of national protection available): AE, AG, AL, AM, AT, AU, AZ, BA, BB, BG, BR, BW, BY, BZ, CA, CH, CN, CO, CR, CU, CZ, DE, DK, DM, DZ, EC, EE, EG, ES, FI, GB, GD, GE, GH, GM, HR, HU, ID, IL, IN, IS, JP, KE, KG, KP, KR, KZ, LC, LK, LR, LS, LT, LU, LV, MA, MD, MG, MK, MN, MW, MX, MZ, NA, NI, NO, NZ, OM, PG, PH, PL, PT, RO, RU, SC, SD, SE, SG, SK, SL, SY, TJ, TM, TN, TR, TT, TZ, UA, UG, US, UZ, VC, VN, YU, ZA, ZM, ZW.

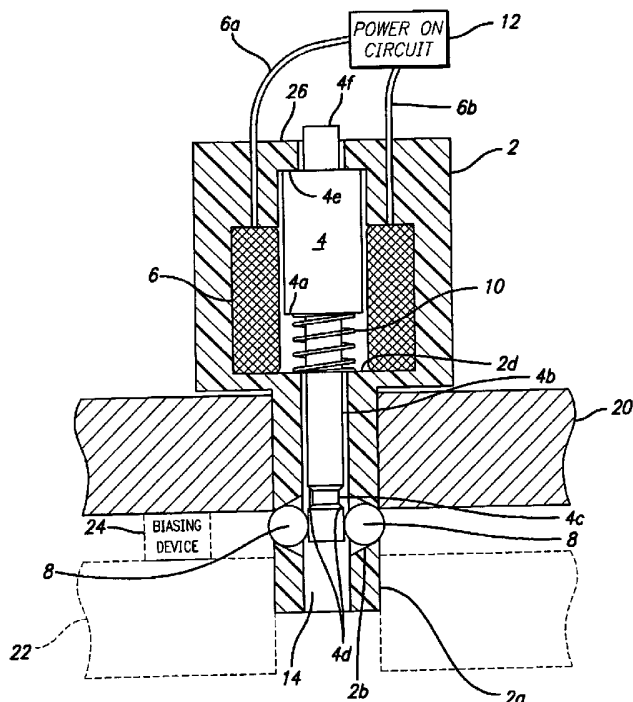
(84) Designated States (unless otherwise indicated, for every kind of regional protection available): ARIPO (BW, GH, GM, KE, LS, MW, MZ, NA, SD, SL, SZ, TZ, UG, ZM, ZW), Eurasian (AM, AZ, BY, KG, KZ, MD, RU, TJ, TM), European (AT, BE, BG, CH, CY, CZ, DE, DK, EE, ES, FI, FR, GB, GR, HU, IE, IT, LU, MC, NL, PL, PT, RO, SE, SI, SK, TR), OAPI (BF, BJ, CF, CG, CI, CM, GA, GN, GQ, GW, ML, MR, NE, SN, TD, TG).

Declarations under Rule 4.17:

— as to applicant's entitlement to apply for and be granted a patent (Rule 4.17(ii)) for the following designations AE, AG, AL, AM, AT, AU, AZ, BA, BB, BG, BR, BW, BY, BZ,

[Continued on next page]

(54) Title: LOCKING DEVICE WITH SOLENOID RELEASE PIN



(57) Abstract: A locking device with a solenoid release actuator includes a housing (2), a plunger (4) axially slidable within the housing (2), a biasing member (10) for biasing the plunger (4) in a first direction, one or more locking balls (8), and the locking balls (8) disposed in an aperture in the housing (2), the plunger (4) having a portion thereof containing at least one recess (4c) for receiving the balls (8), a member (20) to be locked being held in a first locked position with the plunger (4) in a first locking position and the balls (8) in a radially outward position, the plunger (4) being positioned axially such that the recesses (4c) therein are not in alignment with the apertures, and a solenoid coil (6) disposed in the housing (2) around the plunger (4), for inducing a magnetic force to move the plunger (4) against the biasing member (10) such that the recesses (4c) align with the apertures and the balls (8) are movable radially inward into the recesses (4c) thereby releasing the locked member. In another embodiment, a bomb, missile or torpedo having a head and tail and fins (4, 14) proximate the tail biased into a retracted position, incorporates such a locking device for maintaining the fins (4, 14) in the retracted position, and for releasing the fins (4, 14) upon solenoid actuation. The locking device may be tested and reset, as desired.

WO 2005/075765 A3



CA, CH, CN, CO, CR, CU, CZ, DE, DK, DM, DZ, EC, EE, EG, ES, FI, GB, GD, GE, GH, GM, HR, HU, ID, IL, IN, IS, JP, KE, KG, KP, KR, KZ, LC, LK, LR, LS, LT, LU, LV, MA, MD, MG, MK, MN, MW, MX, MZ, NA, NI, NO, NZ, OM, PG, PH, PL, PT, RO, RU, SC, SD, SE, SG, SK, SL, SY, TJ, TM, TN, TR, TT, TZ, UA, UG, UZ, VC, VN, YU, ZA, ZM, ZW, ARIPO patent (BW, GH, GM, KE, LS, MW, MZ, NA, SD, SL, SZ, TZ, UG, ZM, ZW), Eurasian patent (AM, AZ, BY, KG, KZ, MD, RU, TJ, TM), European patent (AT, BE, BG, CH, CY, CZ, DE, DK, EE, ES, FI, FR, GB, GR, HU, IE, IT, LU, MC, NL, PL, PT, RO, SE, SI, SK, TR), OAPI patent (BF, BJ, CF, CG, CI, CM, GA, GN, GQ, GW, ML, MR, NE, SN, TD, TG)

— as to the applicant's entitlement to claim the priority of the earlier application (Rule 4.17(iii)) for all designations

**Published:**

— with international search report  
— before the expiration of the time limit for amending the claims and to be republished in the event of receipt of amendments

**(88) Date of publication of the international search report:**

13 October 2005

For two-letter codes and other abbreviations, refer to the "Guidance Notes on Codes and Abbreviations" appearing at the beginning of each regular issue of the PCT Gazette.

# INTERNATIONAL SEARCH REPORT

International Application No  
PCT/US2004/035506

**A. CLASSIFICATION OF SUBJECT MATTER**  
IPC 7 F42B10/14 B64C5/12

According to International Patent Classification (IPC) or to both national classification and IPC

**B. FIELDS SEARCHED**

Minimum documentation searched (classification system followed by classification symbols)  
IPC 7 F42B E05B B64D B64C

Documentation searched other than minimum documentation to the extent that such documents are included in the fields searched

Electronic data base consulted during the international search (name of data base and, where practical, search terms used)

EPO-Internal, WPI Data, PAJ

**C. DOCUMENTS CONSIDERED TO BE RELEVANT**

Category °	Citation of document, with indication, where appropriate, of the relevant passages	Relevant to claim No.
X	US 3 753 316 A (SAVARIEAU ET AL) 21 August 1973 (1973-08-21)	1-5, 13, 14, 16, 17, 20, 25-27
Y	abstract  column 2, line 66 - column 4, line 25 figure 1	6-12, 15, 18, 19, 21-24
Y	----- US 6 224 013 B1 (CHISOLM) 1 May 2001 (2001-05-01) cited in the application abstract column 2, line 64 - column 5, line 4 figures 1-4  ----- -/--	6-12, 15, 18, 19, 21-24

Further documents are listed in the continuation of box C.

Patent family members are listed in annex.

° Special categories of cited documents :

- \*A\* document defining the general state of the art which is not considered to be of particular relevance
- \*E\* earlier document but published on or after the international filing date
- \*L\* document which may throw doubts on priority claim(s) or which is cited to establish the publication date of another citation or other special reason (as specified)
- \*O\* document referring to an oral disclosure, use, exhibition or other means
- \*P\* document published prior to the international filing date but later than the priority date claimed

- \*T\* later document published after the international filing date or priority date and not in conflict with the application but cited to understand the principle or theory underlying the invention
- \*X\* document of particular relevance; the claimed invention cannot be considered novel or cannot be considered to involve an inventive step when the document is taken alone
- \*Y\* document of particular relevance; the claimed invention cannot be considered to involve an inventive step when the document is combined with one or more other such documents, such combination being obvious to a person skilled in the art.
- \* & \* document member of the same patent family

Date of the actual completion of the international search

27 July 2005

Date of mailing of the international search report

04/08/2005

Name and mailing address of the ISA

European Patent Office, P.B. 5818 Patentlaan 2  
NL - 2280 HV Rijswijk  
Tel. (+31-70) 340-2040, Tx. 31 651 epo nl,  
Fax: (+31-70) 340-3016

Authorized officer

Menier, R

## INTERNATIONAL SEARCH REPORT

International Application No  
PCT/US2004/035506

## C.(Continuation) DOCUMENTS CONSIDERED TO BE RELEVANT

Category °	Citation of document, with indication, where appropriate, of the relevant passages	Relevant to claim No.
X	US 5 263 751 A (PRIEST ET AL) 23 November 1993 (1993-11-23) abstract column 1, line 66 - column 4, line 7 figure 2 -----	1-5
A	WO 02/18867 A (BOFORS DEFENCE AB; SELIN; VESA) 7 March 2002 (2002-03-07) abstract page 7, line 12 - page 9, line 2 figures 1-6 -----	
A	US 4 523 731 A (BUITEKANT ET AL) 18 June 1985 (1985-06-18) cited in the application -----	
A	US 6 352 217 B1 (HSU ET AL) 5 March 2002 (2002-03-05) -----	

## INTERNATIONAL SEARCH REPORT

ation on patent family members

International Application No

PCT/US2004/035506

Patent document cited in search report		Publication date	Patent family member(s)	Publication date
US 3753316	A	21-08-1973	FR 2105523 A5	28-04-1972
			FR 2126547 A5	06-10-1972
			FR 2126548 A6	06-10-1972
			DE 2144869 A1	16-03-1972
			GB 1348563 A	20-03-1974
US 6224013	B1	01-05-2001	NONE	
US 5263751	A	23-11-1993	NONE	
WO 0218867	A	07-03-2002	SE 519764 C2	08-04-2003
			AU 8278701 A	13-03-2002
			CA 2420625 A1	07-03-2002
			DE 60110917 D1	23-06-2005
			EP 1313997 A1	28-05-2003
			NO 20030920 A	28-04-2003
			SE 0003061 A	01-03-2002
			WO 0218867 A1	07-03-2002
			ZA 200301536 A	25-02-2004
US 4523731	A	18-06-1985	NONE	
US 6352217	B1	05-03-2002	GB 2361681 A ,B	31-10-2001
			IT T020010394 A1	24-10-2002