

(19)



Europäisches Patentamt
European Patent Office
Office européen des brevets



(11)

EP 1 106 461 A3

(12)

EUROPEAN PATENT APPLICATION

(88) Date of publication A3:
22.01.2003 Bulletin 2003/04

(43) Date of publication A2:
13.06.2001 Bulletin 2001/24

(21) Application number: **00125683.3**

(22) Date of filing: **23.11.2000**

(51) Int Cl.7: **B60T 8/00, B60T 8/24, B60T 8/40, B60T 8/42, B60T 8/44, B60T 8/48, B60T 7/04, B60T 1/10, B60T 13/58, B60T 13/68, B60T 13/14, B60T 13/74, B60T 8/36, B60T 8/38**

(84) Designated Contracting States:
AT BE CH CY DE DK ES FI FR GB GR IE IT LI LU MC NL PT SE TR
Designated Extension States:
AL LT LV MK RO SI

(30) Priority: **10.12.1999 JP 35210499**
09.06.2000 JP 2000174029

(71) Applicant: **TOYOTA JIDOSHA KABUSHIKI KAISHA**
Aichi-ken 471-8571 (JP)

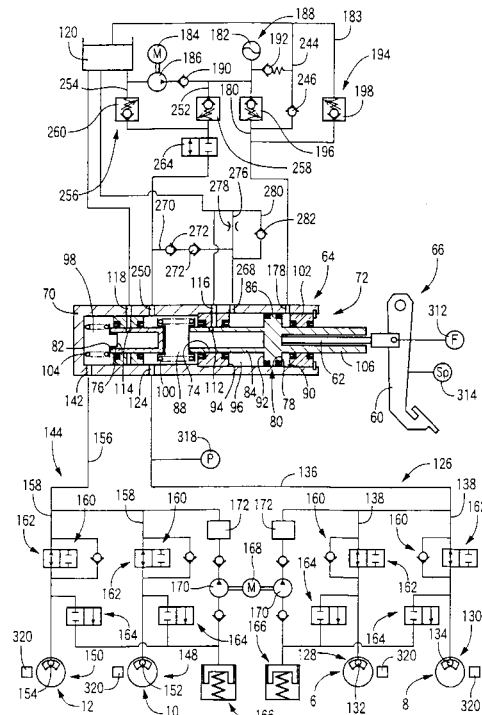
(72) Inventors:
• **Isono, Hiroshi,**
Toyota Jidosha Kabushiki Kaisha
Toyota-shi, Aichi-ken 471-8571 (JP)
• **Mizutani, Yasuji,**
Toyota Jidosha Kabushiki Kaisha
Toyota-shi, Aichi-ken 471-8571 (JP)

(74) Representative:
Winter, Brandl, Fürniss, Hübner, Röss, Kaiser,
Polte Partnerschaft
Patent- und Rechtsanwaltskanzlei
Alois-Steinecker-Strasse 22
85354 Freising (DE)

(54) **Vehicle braking system having devices for controlling fluid flows between the pressurizing and assisting chambers of a master cylinder , a pressure source and a reservoir**

(57) A vehicle braking system including a master cylinder (64, 360, 510) having a pressurizing piston (80) fluid-tightly and slidably received in a cylinder housing (70) and cooperating with the cylinder housing to define a pressurizing chamber (88) and an assisting chamber (90) on opposite sides of the piston, a brake operating member (60) for applying a pressurizing force to the piston, a wheel brake cylinder (132) connected to the master cylinder for activating a brake (128, 130, 148, 159) for braking a wheel (6, 8, 10, 12), a hydraulic pressure source (188) for pressuring a working fluid, a reservoir (120), a first flow control device (194) for controlling flows of the fluid between the assisting chamber, and the hydraulic pressure source and reservoir, and a second flow control device (256) for controlling flows of the fluid between the pressurizing chamber, and the hydraulic pressure source and reservoir.

FIG. 2



EP 1 106 461 A3



DOCUMENTS CONSIDERED TO BE RELEVANT			
Category	Citation of document with indication, where appropriate, of relevant passages	Relevant to claim	CLASSIFICATION OF THE APPLICATION (Int.Cl.7)
X	US 4 832 418 A (MATTUSCH FRANZ J) 23 May 1989 (1989-05-23) * column 4, line 8 - column 5, line 16; figure 1 *	1	B60T8/00 B60T8/24 B60T8/40 B60T8/42 B60T8/44
X	US 4 750 789 A (BELART JUAN ET AL) 14 June 1988 (1988-06-14) * figure 1 *	1	B60T8/48 B60T7/04 B60T1/10 B60T13/58
A	WO 97 18116 A (MOHR KURT ;POERTZGEN GREGOR (DE); LUCAS IND PLC (GB)) 22 May 1997 (1997-05-22) * abstract; figure 1 *	1	B60T13/68 B60T13/14 B60T13/74 B60T8/36 B60T8/38
A	US 5 531 509 A (KELLNER ANDREAS ET AL) 2 July 1996 (1996-07-02) * column 4, line 40 - column 9, line 20; figure 1 *	1	
A	US 4 838 619 A (OCVIRK NORBERT) 13 June 1989 (1989-06-13) * figure 1 *	1	
A	US 5 403 076 A (ALTMANN RAINER ET AL) 4 April 1995 (1995-04-04) * the whole document *	1	
A	US 5 249 853 A (REINARTZ HANS-DIETER ET AL) 5 October 1993 (1993-10-05) * the whole document *	1	
A	US 4 708 404 A (SEIBERT WOLFRAM ET AL) 24 November 1987 (1987-11-24) * the whole document *	1	
A	US 4 416 491 A (BELART JUAN ET AL) 22 November 1983 (1983-11-22) * the whole document *	1	
The present search report has been drawn up for all claims			
Place of search MUNICH		Date of completion of the search 27 November 2002	Examiner Dekker, W
<p>CATEGORY OF CITED DOCUMENTS</p> <p>X : particularly relevant if taken alone Y : particularly relevant if combined with another document of the same category A : technological background O : non-written disclosure P : intermediate document</p> <p>T : theory or principle underlying the invention E : earlier patent document, but published on, or after the filing date D : document cited in the application L : document cited for other reasons & : member of the same patent family, corresponding document</p>			

EPO FORM 1503 03 82 (P04/C01)

ANNEX TO THE EUROPEAN SEARCH REPORT
ON EUROPEAN PATENT APPLICATION NO.

EP 00 12 5683

This annex lists the patent family members relating to the patent documents cited in the above-mentioned European search report.
The members are as contained in the European Patent Office EDP file on
The European Patent Office is in no way liable for these particulars which are merely given for the purpose of information.

27-11-2002

Patent document cited in search report		Publication date		Patent family member(s)	Publication date
US 4832418	A	23-05-1989	DE	3729787 A1	13-10-1988
			DE	3870693 D1	11-06-1992
			EP	0284718 A2	05-10-1988
			JP	2581739 B2	12-02-1997
			JP	63258251 A	25-10-1988
US 4750789	A	14-06-1988	DE	3442908 A1	05-06-1986
			FR	2573711 A1	30-05-1986
			GB	2167822 A ,B	04-06-1986
			JP	61135850 A	23-06-1986
WO 9718116	A	22-05-1997	DE	19542656 A1	22-05-1997
			DE	59609629 D1	10-10-2002
			WO	9718116 A1	22-05-1997
			EP	0857131 A1	12-08-1998
			US	6290307 B1	18-09-2001
US 5531509	A	02-07-1996	DE	4430168 A1	29-02-1996
			GB	2292590 A ,B	28-02-1996
			JP	8067242 A	12-03-1996
US 4838619	A	13-06-1989	DE	3603697 A1	13-08-1987
			FR	2593757 A1	07-08-1987
			GB	2186335 A ,B	12-08-1987
			JP	62253555 A	05-11-1987
US 5403076	A	04-04-1995	DE	4309470 A1	29-09-1994
			JP	6298063 A	25-10-1994
US 5249853	A	05-10-1993	DE	4204416 A1	22-10-1992
US 4708404	A	24-11-1987	DE	3502018 A1	24-07-1986
			FR	2576262 A1	25-07-1986
			GB	2169975 A ,B	23-07-1986
			JP	1903241 C	08-02-1995
			JP	6024921 B	06-04-1994
			JP	61171654 A	02-08-1986
US 4416491	A	22-11-1983	DE	3040562 A1	27-05-1982
			BR	8106946 A	13-07-1982
			ES	506589 D0	01-10-1982
			ES	8300054 A1	01-01-1983
			FR	2492753 A1	30-04-1982
			GB	2086507 A ,B	12-05-1982
			IT	1139559 B	24-09-1986
			JP	1030663 B	21-06-1989

EPO FORM P0459

For more details about this annex : see Official Journal of the European Patent Office, No. 12/82

**ANNEX TO THE EUROPEAN SEARCH REPORT
ON EUROPEAN PATENT APPLICATION NO.**

EP 00 12 5683

This annex lists the patent family members relating to the patent documents cited in the above-mentioned European search report. The members are as contained in the European Patent Office EDP file on
The European Patent Office is in no way liable for these particulars which are merely given for the purpose of information.

27-11-2002

Patent document cited in search report	Publication date	Patent family member(s)	Publication date
US 4416491 A	JP	1547799 C	09-03-1990
	JP	57172863 A	23-10-1982
	SE	440738 B	19-08-1985
	SE	8106324 A	29-04-1982
	ZA	8106920 A	29-09-1982

EPC FORM P0489

For more details about this annex : see Official Journal of the European Patent Office, No. 12/82