



(11) **EP 1 850 098 A3**

(12) **EUROPEAN PATENT APPLICATION**

(88) Date of publication A3:  
**24.09.2008 Bulletin 2008/39**

(51) Int Cl.:  
**G01F 23/296<sup>(2006.01)</sup>**

(43) Date of publication A2:  
**31.10.2007 Bulletin 2007/44**

(21) Application number: **07251087.8**

(22) Date of filing: **15.03.2007**

(84) Designated Contracting States:  
**AT BE BG CH CY CZ DE DK EE ES FI FR GB GR HU IE IS IT LI LT LU LV MC MT NL PL PT RO SE SI SK TR**  
Designated Extension States:  
**AL BA HR MK RS**

(72) Inventors:  

- **Sintes, Hugh Corum Silverdale, North Auckland (NZ)**
- **Becroft, Mario Brian Daniel Albany, Auckland (NZ)**
- **Pryor, Raymond John Hamilton (NZ)**
- **Smith, Andrew Bryce Caithness, KW14 8YD (GB)**

(30) Priority: **27.04.2006 US 795172 P**

(71) Applicants:  

- **Sintes, Hugh Corum Silverdale, North Auckland (NZ)**
- **Becroft, Mario Brian Daniel Albany, Auckland (NZ)**
- **Pryor, Raymond John Hamilton (NZ)**
- **Smith, Andrew Bryce Caithness, KW14 8YD (GB)**

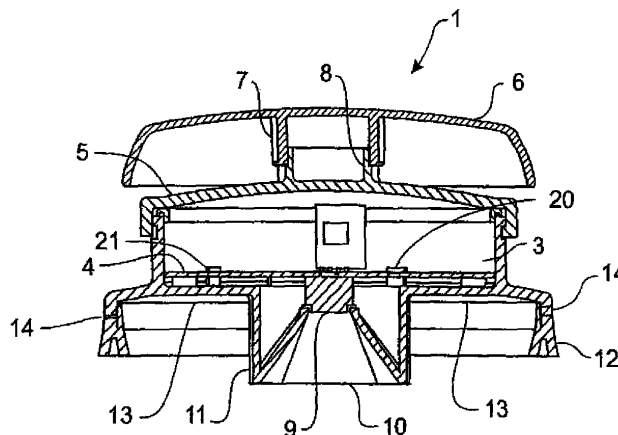
(74) Representative: **Flutter, Paula et al EIP**  
**Fairfax House**  
**15 Fulwood Place**  
**London WC1V 6HU (GB)**

(54) **Ultrasonic liquid level sensor**

(57) The invention comprises a level sensor (1) for providing an indication of liquid level in a container comprising: an ultrasonic transducer for emitting an ultrasonic signal to the surface of the liquid and for detecting a return signal, reflected from the surface, a controller that instructs the transducer to emit ultrasonic signals and receives an indication that a return signal has been detect-

ed, the controller comprising a timer for measuring the time period between emission of the ultrasonic signal and receipt of a return signal, the determined time period providing an indication of the liquid level, and a radio transmitter that receives an indication of the liquid level and transmits a radio liquid level signal comprising the level indication to a remote output unit.

**FIGURE 2**



**EP 1 850 098 A3**



DOCUMENTS CONSIDERED TO BE RELEVANT			
Category	Citation of document with indication, where appropriate, of relevant passages	Relevant to claim	CLASSIFICATION OF THE APPLICATION (IPC)
X	GB 2 275 534 A (SECR DEFENCE [GB]) 31 August 1994 (1994-08-31)	1,8,9	INV. G01F23/296
X	* page 3, lines 1-30; figure 2 * -----	10-15,20	
X	US 3 910 116 A (SMITH ROBERT T) 7 October 1975 (1975-10-07)	1-4,8	
X	* column 2, line 24 - column 3, line 3; figures 1,5,6 * * column 4, line 31 - line 57 * -----	5,10-15, 20	
A	WO 2004/027353 A (ENDRESS & HAUSER GMBH & CO KG [DE]; EICHHOLZ BERND [DE]; HUBER DANIELA) 1 April 2004 (2004-04-01) * page 2, line 13 - line 31; figures 1a,1b,4 * -----	6,7	
			TECHNICAL FIELDS SEARCHED (IPC)
			G01F
The present search report has been drawn up for all claims			
Place of search		Date of completion of the search	Examiner
The Hague		13 August 2008	Boerrigter, Herman
CATEGORY OF CITED DOCUMENTS			
X : particularly relevant if taken alone Y : particularly relevant if combined with another document of the same category A : technological background O : non-written disclosure P : intermediate document		T : theory or principle underlying the invention E : earlier patent document, but published on, or after the filing date D : document cited in the application L : document cited for other reasons ..... & : member of the same patent family, corresponding document	

4  
EPC FORM 1503 03.82 (P04C01)

**ANNEX TO THE EUROPEAN SEARCH REPORT  
ON EUROPEAN PATENT APPLICATION NO.**

EP 07 25 1087

This annex lists the patent family members relating to the patent documents cited in the above-mentioned European search report. The members are as contained in the European Patent Office EDP file on The European Patent Office is in no way liable for these particulars which are merely given for the purpose of information.

13-08-2008

Patent document cited in search report		Publication date	Patent family member(s)	Publication date
GB 2275534	A	31-08-1994	EP 0697583 A1	21-02-1996
-----				
US 3910116	A	07-10-1975	NONE	
-----				
WO 2004027353	A	01-04-2004	AU 2003270158 A1	08-04-2004
			CN 1682096 A	12-10-2005
			DE 10242500 A1	18-03-2004
			EP 1537388 A1	08-06-2005
			US 2006201245 A1	14-09-2006
-----				

EPO FORM P0459

For more details about this annex : see Official Journal of the European Patent Office, No. 12/82