

(19) World Intellectual Property  
Organization  
International Bureau



(43) International Publication Date  
23 October 2003 (23.10.2003)

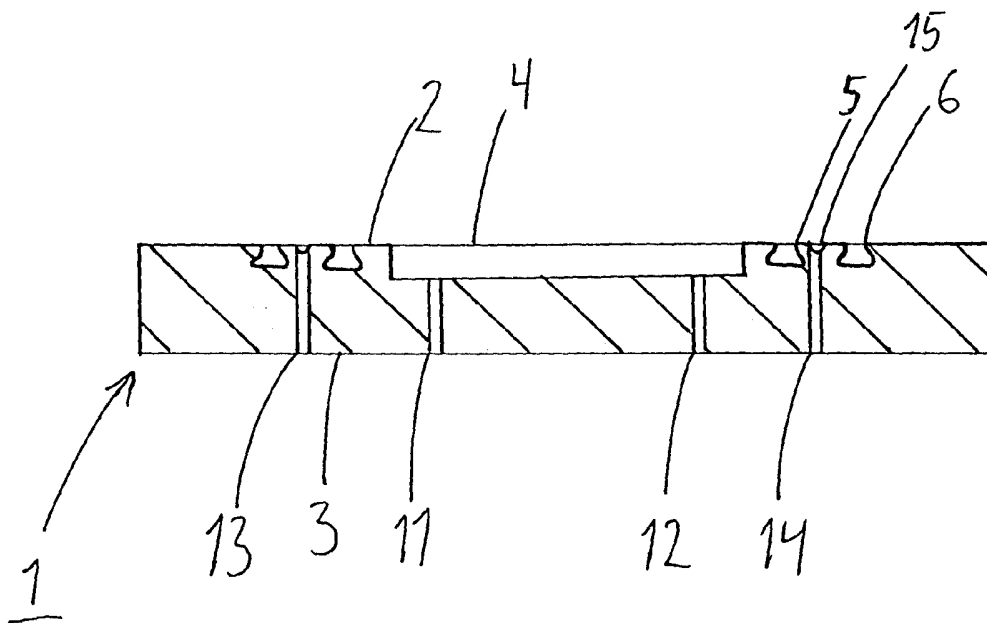
PCT

(10) International Publication Number  
WO 2003/087782 A3

- (51) International Patent Classification<sup>7</sup>: G01N 15/08
- (21) International Application Number: PCT/DK2003/000240
- (22) International Filing Date: 10 April 2003 (10.04.2003)
- (25) Filing Language: English
- (26) Publication Language: English
- (30) Priority Data:  
PA 2002 00560 16 April 2002 (16.04.2002) DK
- (71) Applicant (for all designated States except US): PBI-DANSENSOR A/S [DK/DK]; Rønnevej 18, DK-4100 Ringsted (DK).
- (72) Inventors; and
- (75) Inventors/Applicants (for US only): JENSEN, Henning [DK/DK]; Sprogøvej 17, DK-2000 Frederiksberg (DK). KLAUSEN, Kasper [DK/DK]; Charlotte Muncks Vej 15, DK-2400 Copenhagen NV (DK). SOLBERG, Elvin, Schmidt [DK/DK]; Næstvedvej 19b, DK-4760 Vordingborg (DK). HANSEN, Kenneth [DK/DK]; Ørslevvestervej 80, DK-4173 Fjenneslev (DK).
- (74) Agents: NIELSEN, Kim, Garsdal et al.; International Patent-Bureau A/S, Høje Taastrup Boulevard 23, DK-2630 Taastrup (DK).
- (81) Designated States (national): AE, AG, AL, AM, AT (utility model), AT, AU, AZ, BA, BB, BG, BR, BY, BZ, CA, CH, CN, CO, CR, CU, CZ (utility model), CZ, DE (utility model), DE, DK (utility model), DK, DM, DZ, EC, EE (utility model), EE, ES, FI (utility model), FI, GB, GD, GE, GH, GM, HR, HU, ID, IL, IN, IS, JP, KE, KG, KP, KR, KZ, LC, LK, LR, LS, LT, LU, LV, MA, MD, MG, MK, MN, MW, MX, MZ, NI, NO, NZ, OM, PH, PL, PT, RO, RU, SC, SD, SE, SG, SK (utility model), SK, SL, TJ, TM, TN, TR, TT, TZ, UA, UG, US, UZ, VC, VN, YU, ZA, ZM, ZW.
- (84) Designated States (regional): ARIPO patent (GH, GM, KE, LS, MW, MZ, SD, SL, SZ, TZ, UG, ZM, ZW), Eurasian patent (AM, AZ, BY, KG, KZ, MD, RU, TJ, TM), European patent (AT, BE, BG, CH, CY, CZ, DE, DK, EE, ES, FI, FR, GB, GR, HU, IE, IT, LU, MC, NL, PT, RO, SE, SI, SK, TR), OAPI patent (BF, BJ, CF, CG, CI, CM, GA, GN, GQ, GW, ML, MR, NE, SN, TD, TG).
- Published:  
— with international search report

[Continued on next page]

(54) Title: A SPECIMEN HOLDING PLATE FOR A GAS PERMEABILITY MEASURING APPARATUS



(57) Abstract: A specimen holding plate (1) for a gas permeability measuring apparatus. The specimen holding plate comprises a first surface (2) and a second surface (3), a number of passages (11, 12) between said second surface (3) and said first surface (2) so as to allow a predetermined gas mixture to be supplied to a first volume located at least partially above said first surface. The specimen holding plate further comprises a sealing arranged in a connection with said first surface and circumscribing said passages (11, 12) so as to circumferentially delimit said first volume. The sealing is provided as a double sealing (7, 8).

WO 2003/087782 A3



---

**(88) Date of publication of the international search report:**

8 January 2004

*For two-letter codes and other abbreviations, refer to the "Guidance Notes on Codes and Abbreviations" appearing at the beginning of each regular issue of the PCT Gazette.*

INTERNATIONAL SEARCH REPORT

International Application No

PCT/DK 03/00240

A. CLASSIFICATION OF SUBJECT MATTER  
IPC 7 G01N15/08

According to International Patent Classification (IPC) or to both national classification and IPC

B. FIELDS SEARCHED

Minimum documentation searched (classification system followed by classification symbols)  
IPC 7 G01N

Documentation searched other than minimum documentation to the extent that such documents are included in the fields searched

Electronic data base consulted during the international search (name of data base and, where practical, search terms used)

EPO-Internal, WPI Data, PAJ

C. DOCUMENTS CONSIDERED TO BE RELEVANT

Category °	Citation of document, with indication, where appropriate, of the relevant passages	Relevant to claim No.
A	FR 2 715 471 A (COMMISSARIAT ENERGIE ATOMIQUE) 28 July 1995 (1995-07-28) abstract	1-9
A	US 5 817 924 A (TUOMELA STEPHEN D ET AL) 6 October 1998 (1998-10-06) abstract	1-9
A	US 3 861 196 A (DOMENIGHETTI DOMENICO) 21 January 1975 (1975-01-21) abstract	1-9
A	DE 32 16 054 A (SIEMENS AG) 3 November 1983 (1983-11-03) abstract	1-9

Further documents are listed in the continuation of box C.

Patent family members are listed in annex.

° Special categories of cited documents :

- "A" document defining the general state of the art which is not considered to be of particular relevance
- "E" earlier document but published on or after the international filing date
- "L" document which may throw doubts on priority claim(s) or which is cited to establish the publication date of another citation or other special reason (as specified)
- "O" document referring to an oral disclosure, use, exhibition or other means
- "P" document published prior to the international filing date but later than the priority date claimed

- "T" later document published after the international filing date or priority date and not in conflict with the application but cited to understand the principle or theory underlying the invention
- "X" document of particular relevance; the claimed invention cannot be considered novel or cannot be considered to involve an inventive step when the document is taken alone
- "Y" document of particular relevance; the claimed invention cannot be considered to involve an inventive step when the document is combined with one or more other such documents, such combination being obvious to a person skilled in the art.
- "&" document member of the same patent family

Date of the actual completion of the international search

22 September 2003

Date of mailing of the international search report

03.10.03

Name and mailing address of the ISA

European Patent Office, P.B. 5818 Patentlaan 2  
NL - 2280 HV Rijswijk  
Tel. (+31-70) 340-2040, Tx. 31 651 epo nl,  
Fax: (+31-70) 340-3016

Authorized officer

ÅSA MALM/MN

# INTERNATIONAL SEARCH REPORT

Information on patent family members

International Application No

PCT/DK 03/00240

Patent document cited in search report	Publication date	Patent family member(s)	Publication date
FR 2715471	A	FR 2715471 A1	28-07-1995
US 5817924	A	NONE	
US 3861196	A	CH 548598 A	30-04-1974
		AT 327809 B	25-02-1976
		AT 582173 A	15-04-1975
		DE 2332488 A1	24-01-1974
		ES 416401 A1	16-02-1976
		FR 2191732 A5	01-02-1974
		GB 1441985 A	07-07-1976
		IT 972910 B	31-05-1974
		ZA 7304285 A	29-05-1974
DE 3216054	A	DE 3216054 A1	03-11-1983