



US 20150014400A1

(19) **United States**

(12) **Patent Application Publication**
Schneider

(10) **Pub. No.: US 2015/0014400 A1**

(43) **Pub. Date: Jan. 15, 2015**

(54) **FOLDABLE ORGANIZER WITH INTERIOR INSERT**

Publication Classification

(71) Applicant: **Jonathan Neil Schneider**, Boulder, CO (US)

(51) **Int. Cl.**
B42F 7/06 (2006.01)

(72) Inventor: **Jonathan Neil Schneider**, Boulder, CO (US)

(52) **U.S. Cl.**
CPC .. **B42F 7/06** (2013.01); **B42F 7/065** (2013.01)
USPC **229/67.1**

(21) Appl. No.: **14/328,393**

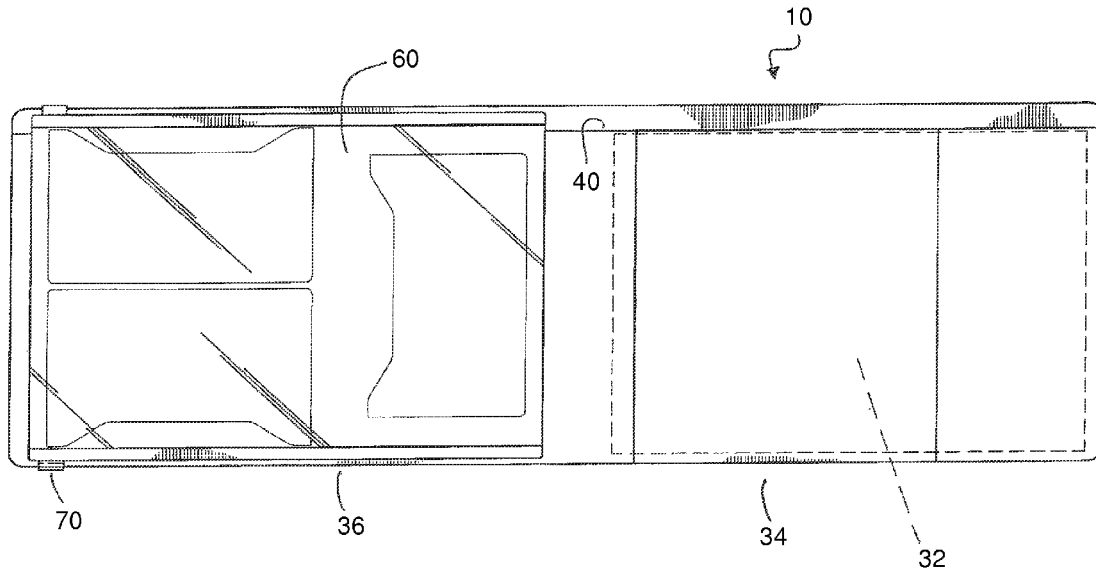
(57) **ABSTRACT**

(22) Filed: **Jul. 10, 2014**

A foldable organizer for restaurant servers includes a folding case which may hold a notepad, an elongated compartment for storing paper money and receipts, a leaf having pockets for holding cards in the elongated compartment, and an exterior pocket for holding a card. An interior insert may be attached between the top interior panel and the bottom interior panel of the folding case.

Related U.S. Application Data

(60) Provisional application No. 61/844,851, filed on Jul. 10, 2013.



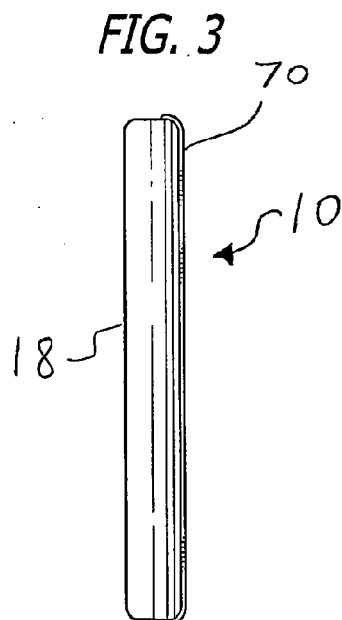
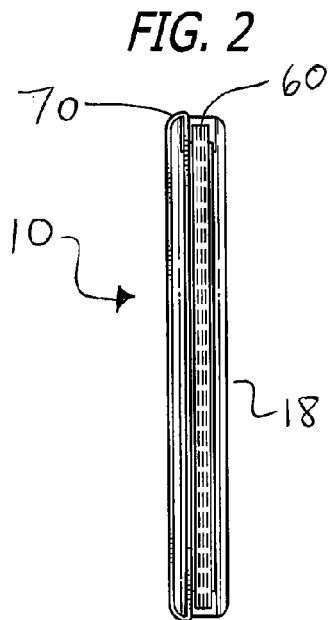
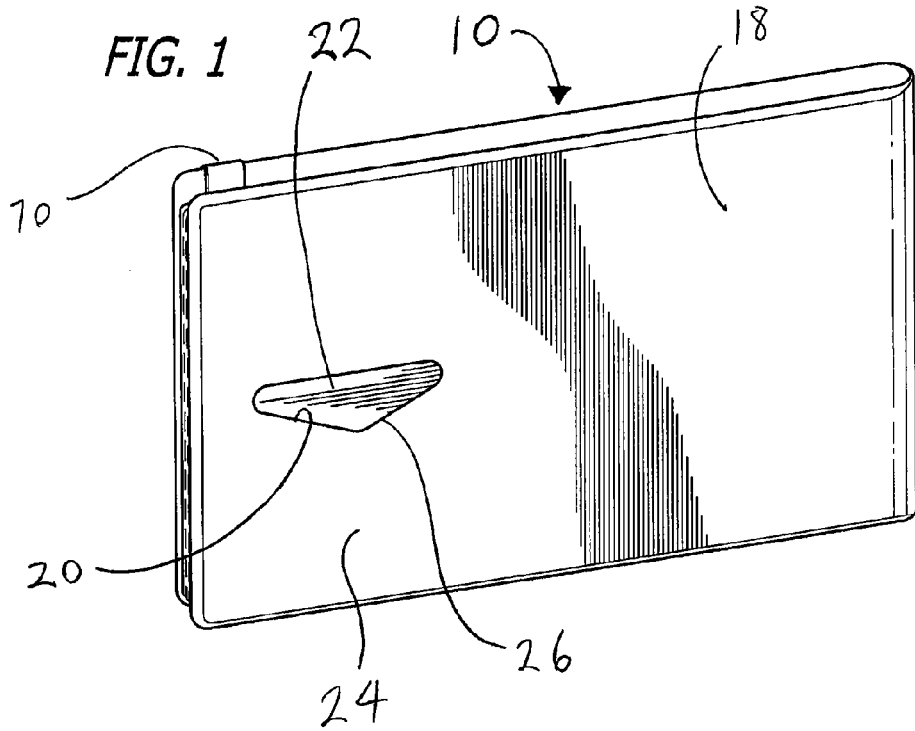


FIG. 4

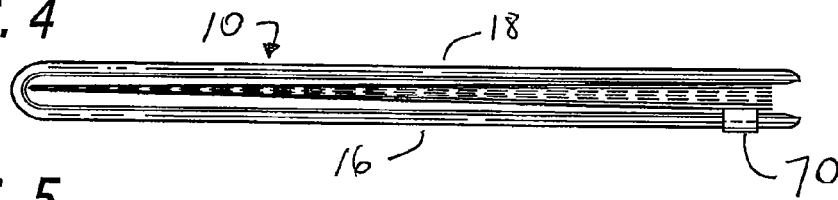


FIG. 5

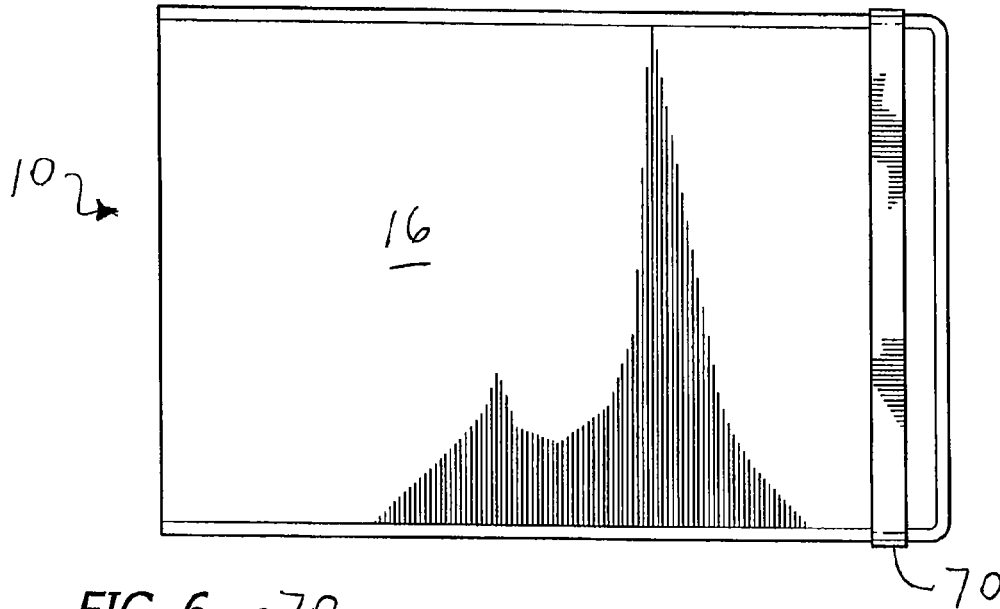
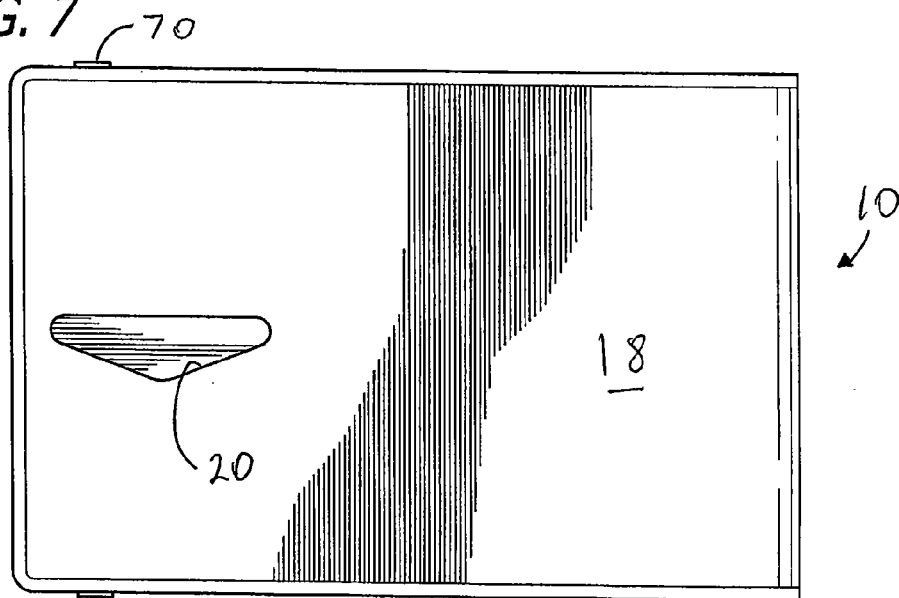


FIG. 6



FIG. 7



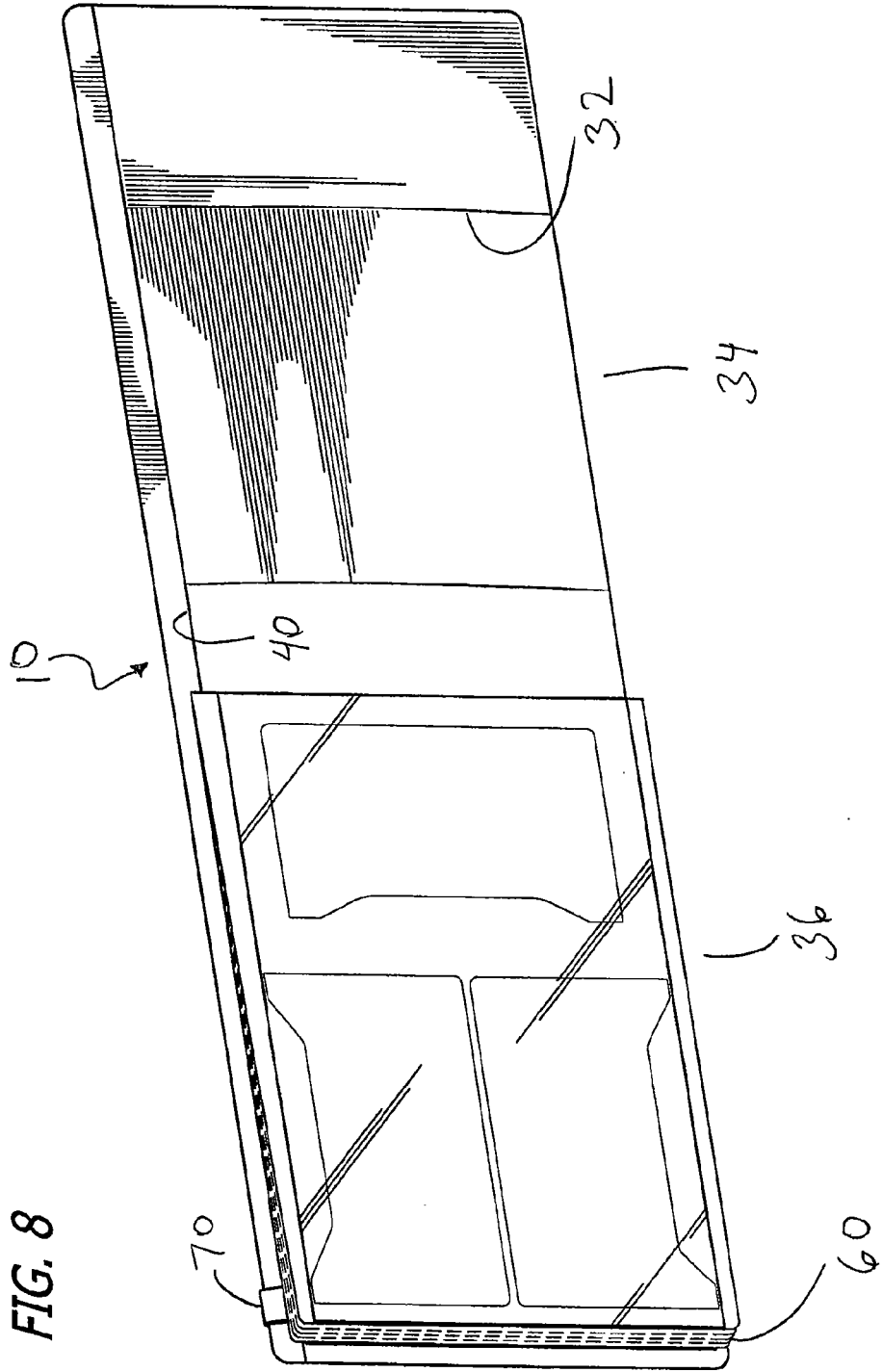
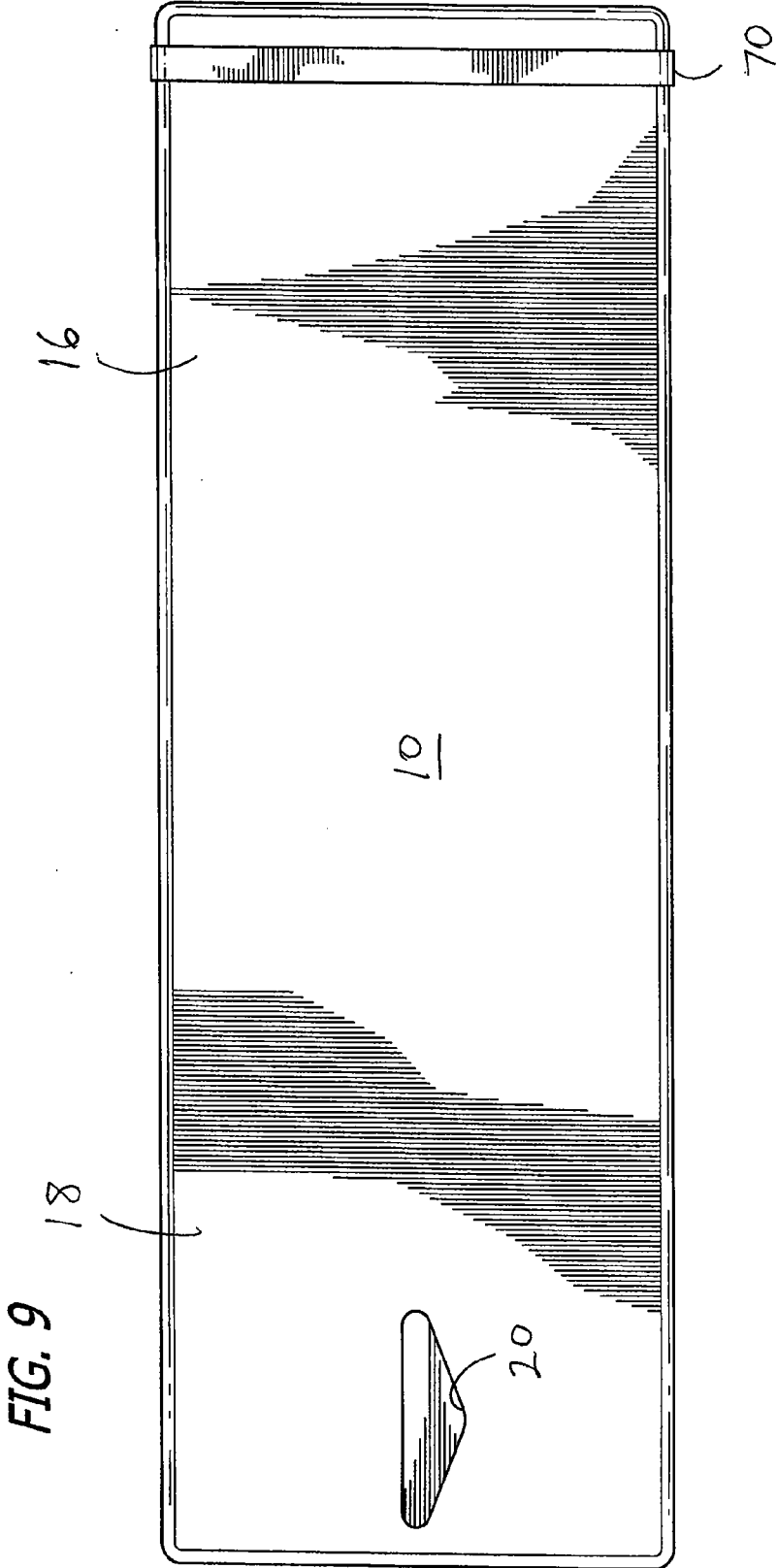
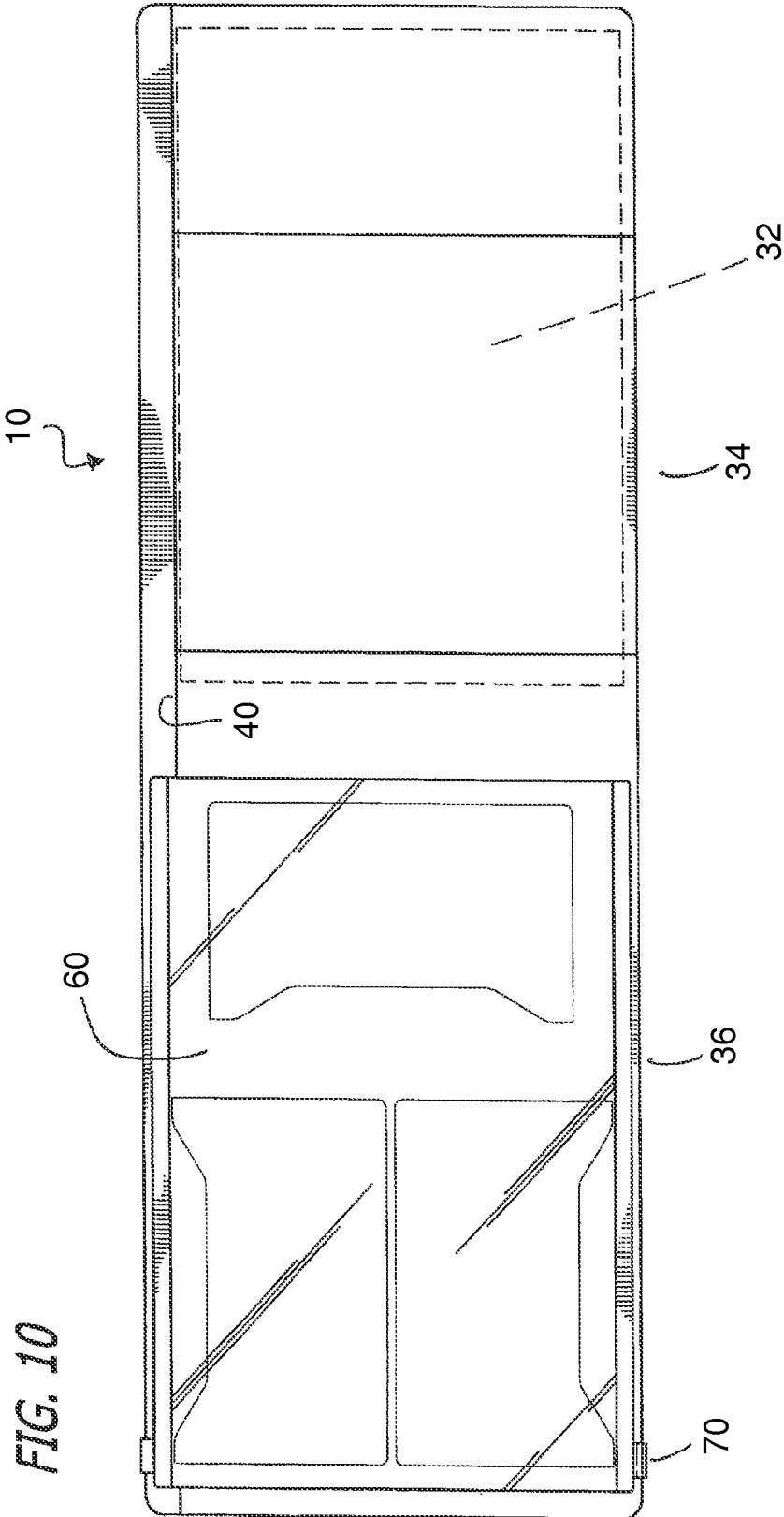


FIG. 8





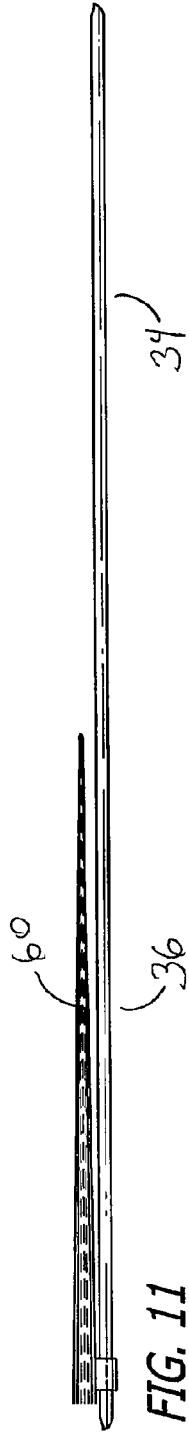


FIG. 11

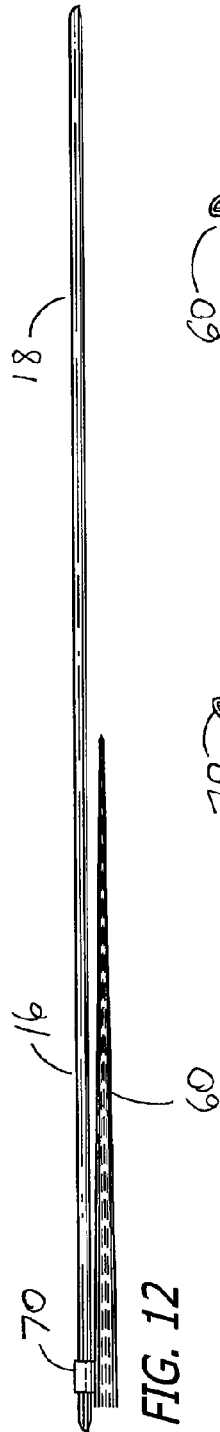


FIG. 12

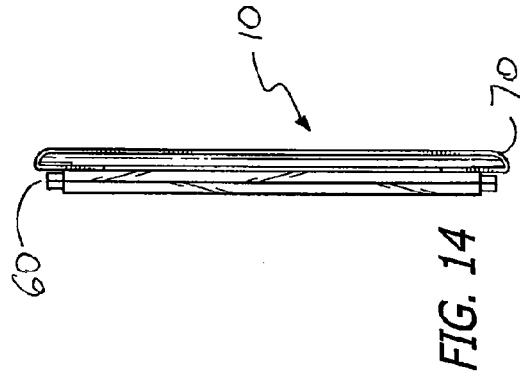


FIG. 14

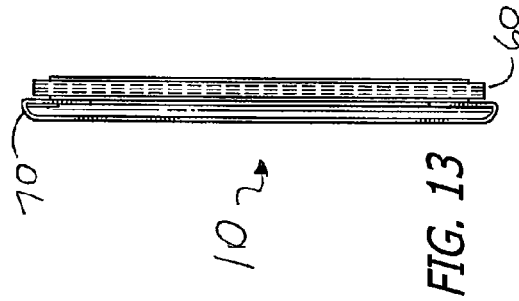
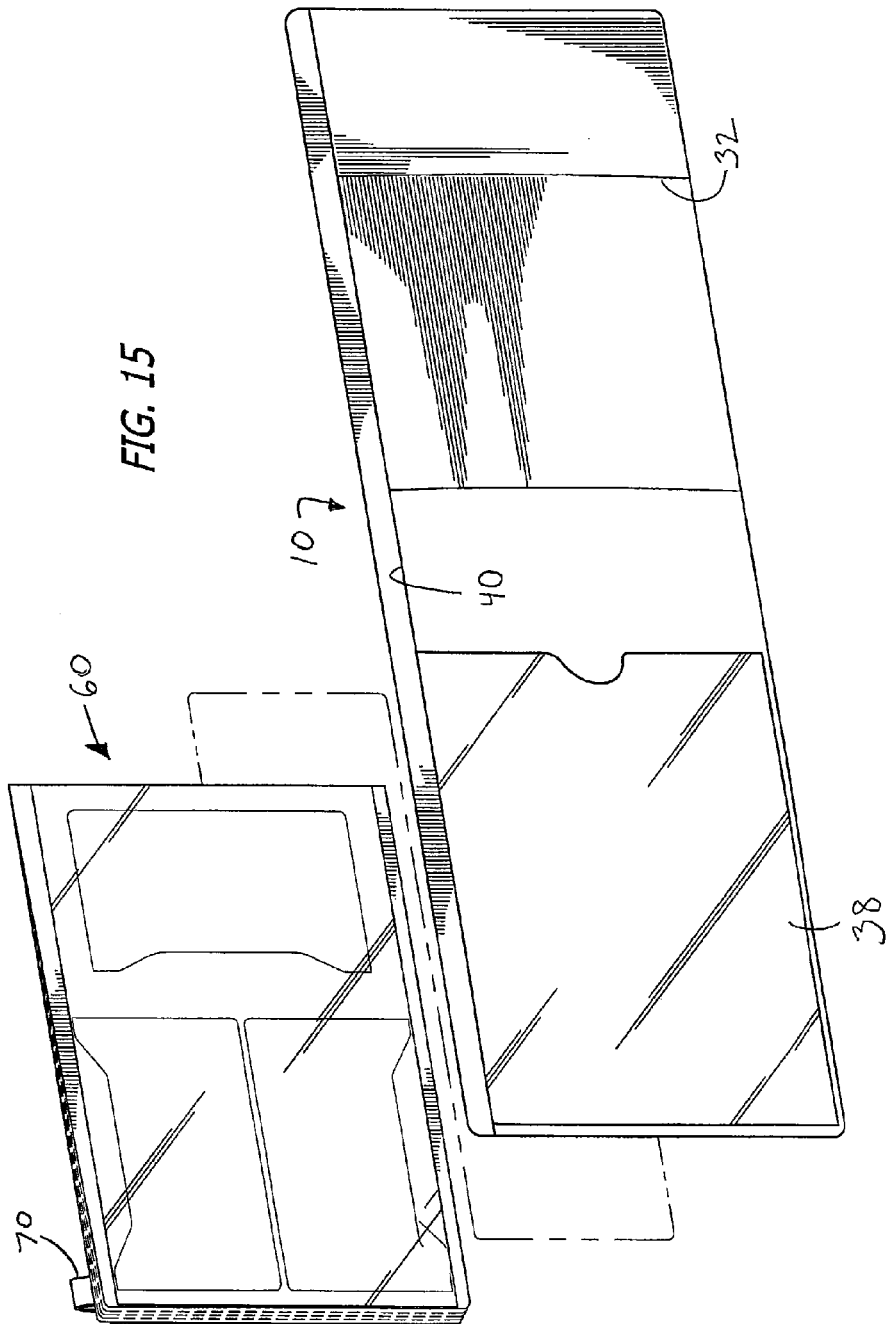
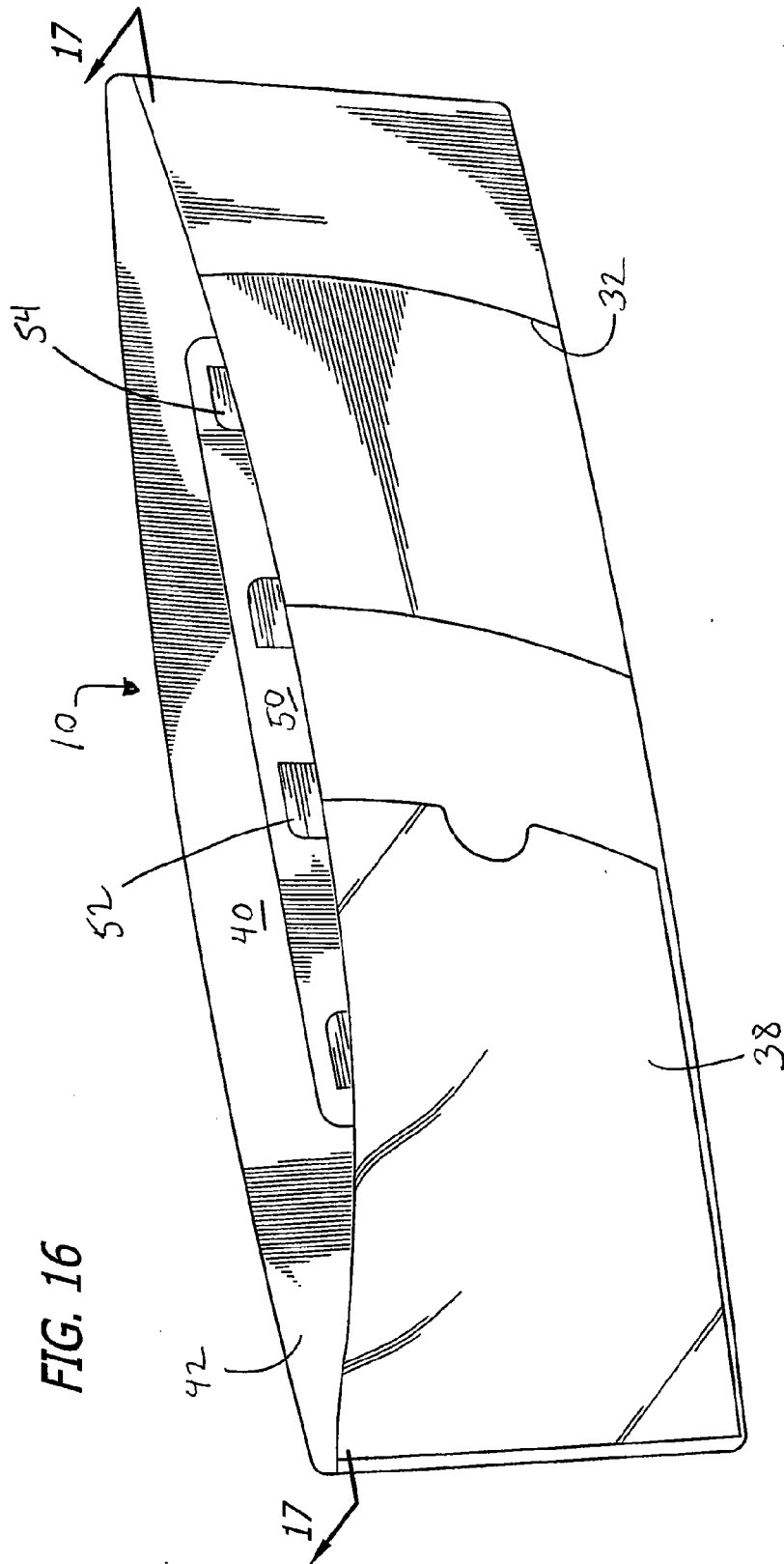
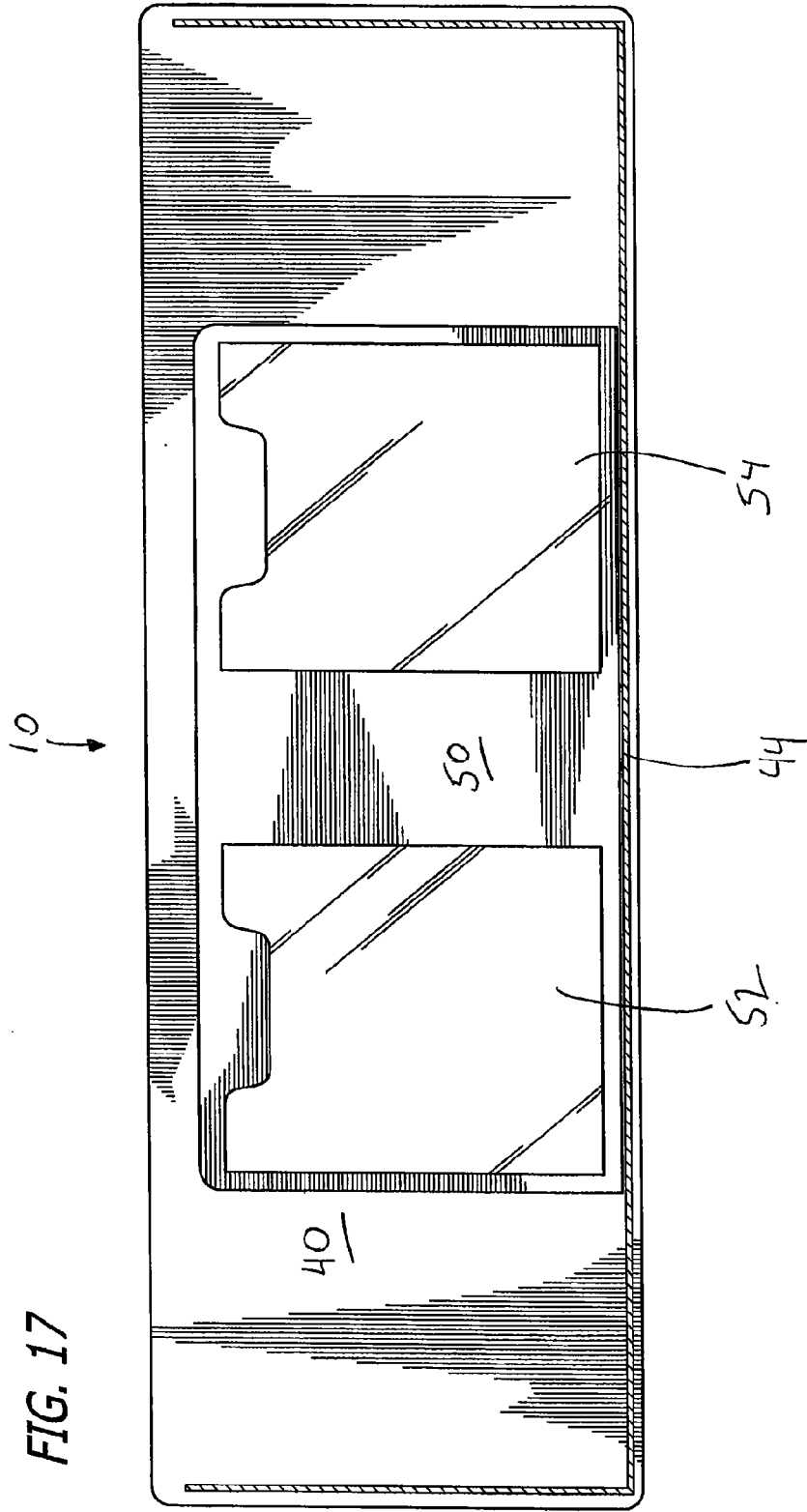


FIG. 13







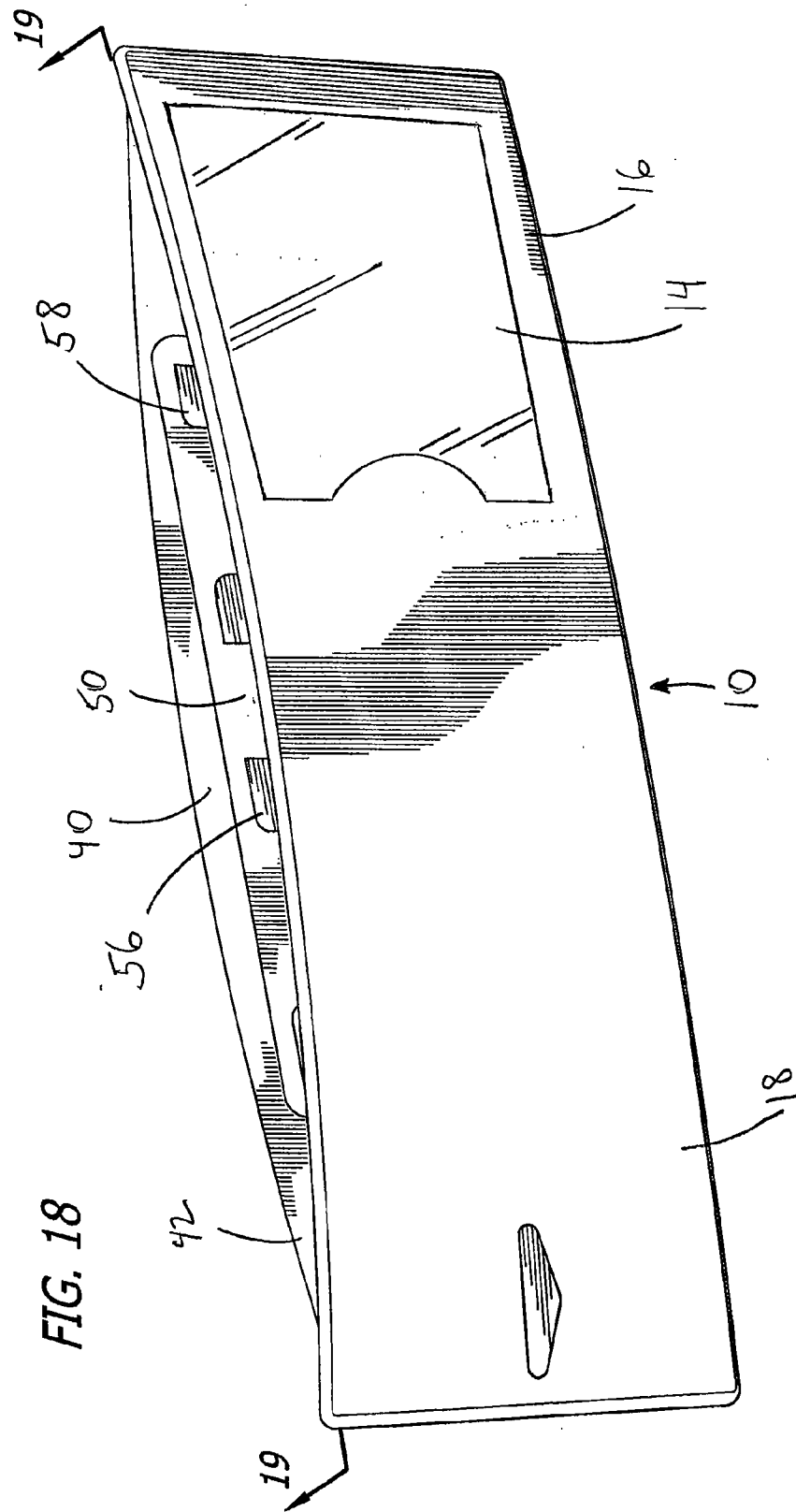
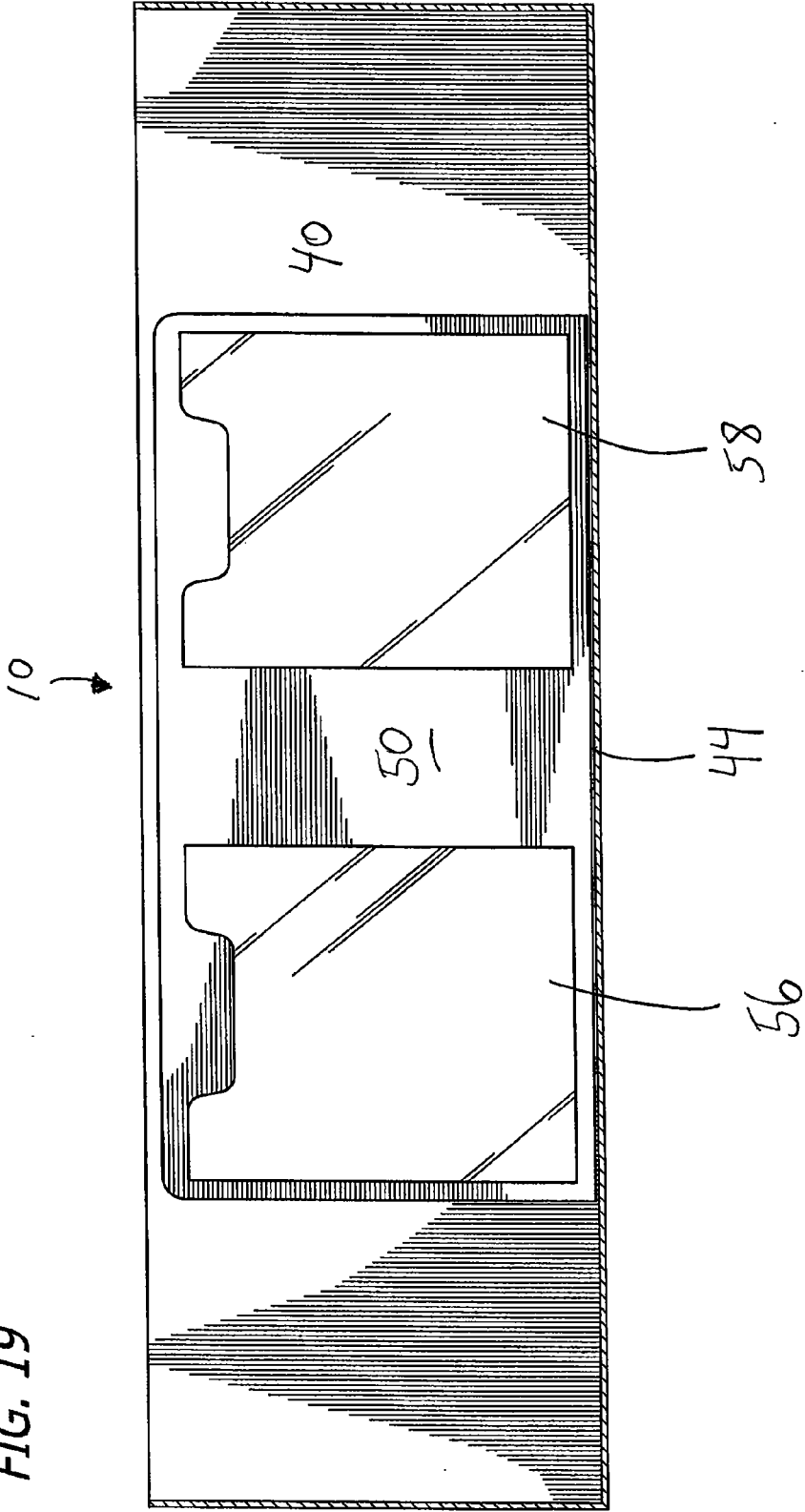


FIG. 18

FIG. 19



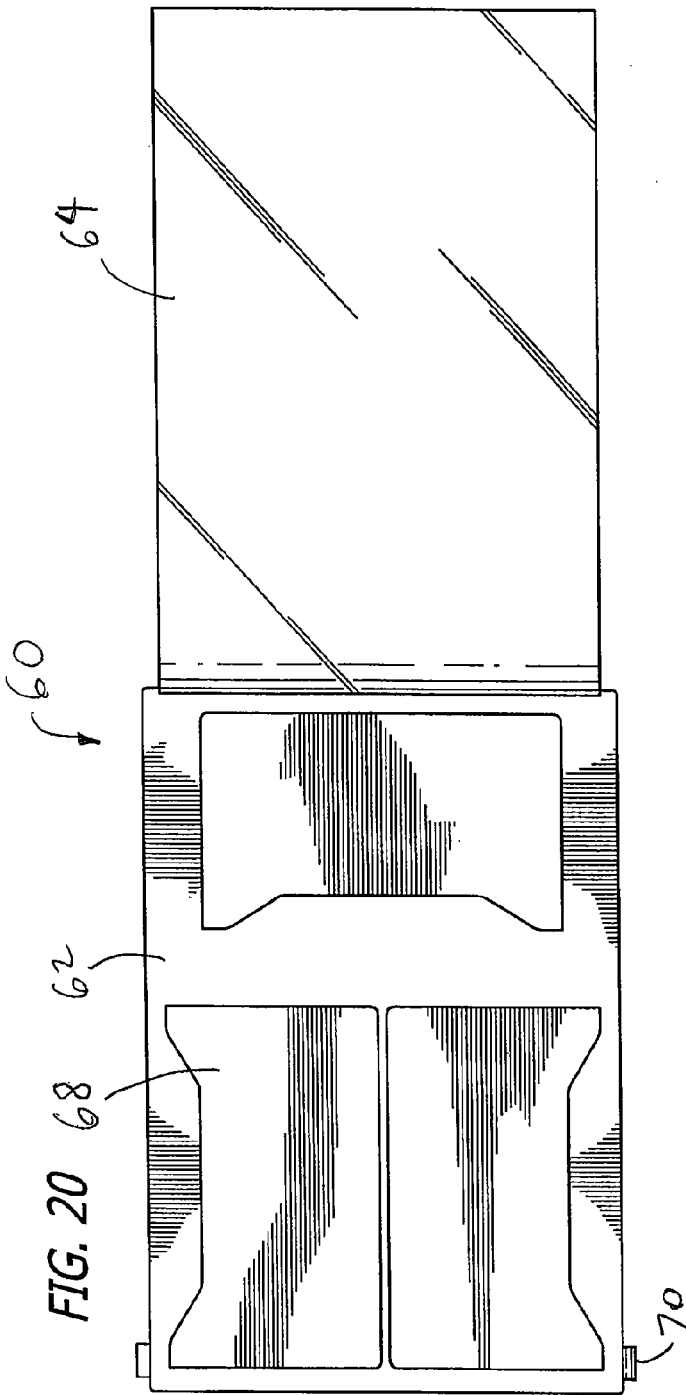


FIG. 20

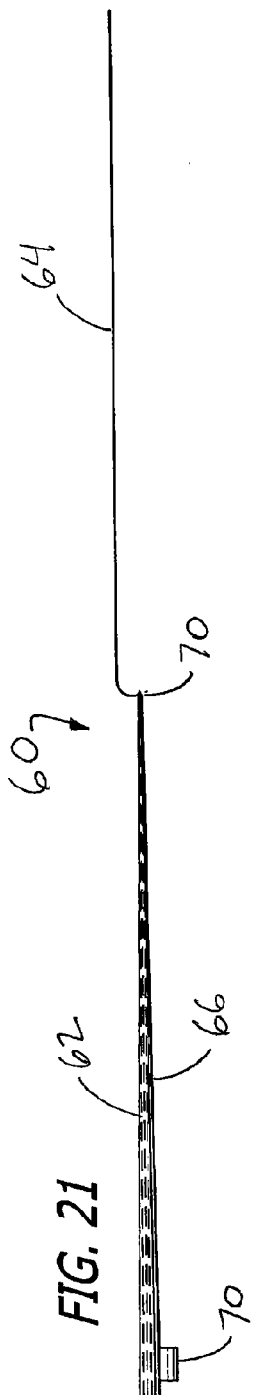


FIG. 21

FIG. 22

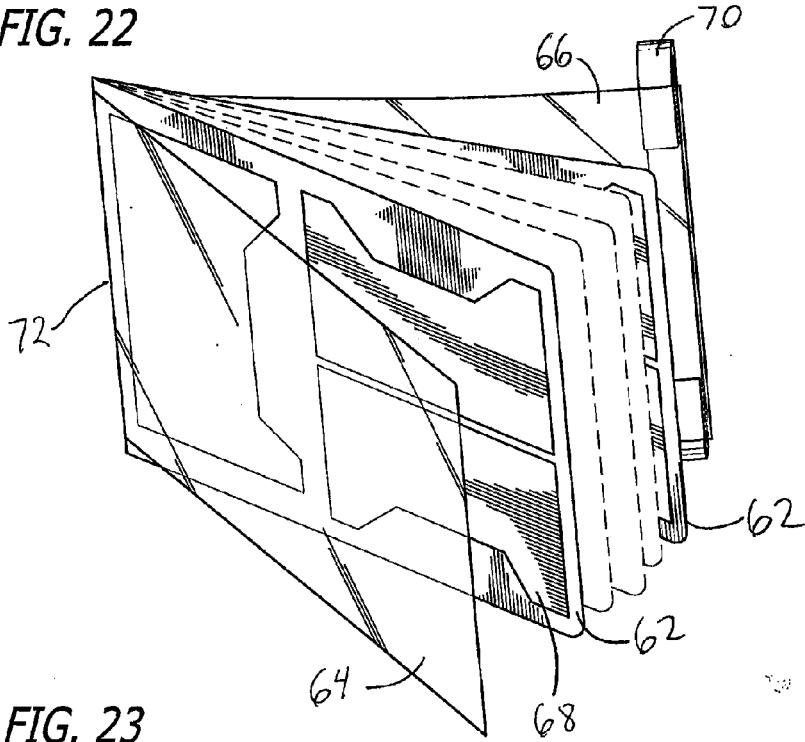
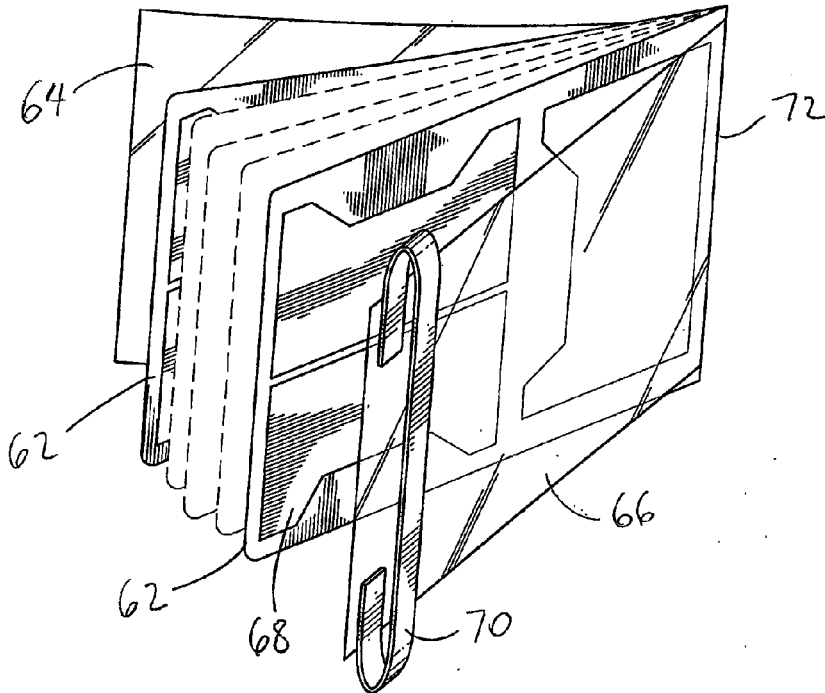


FIG. 23



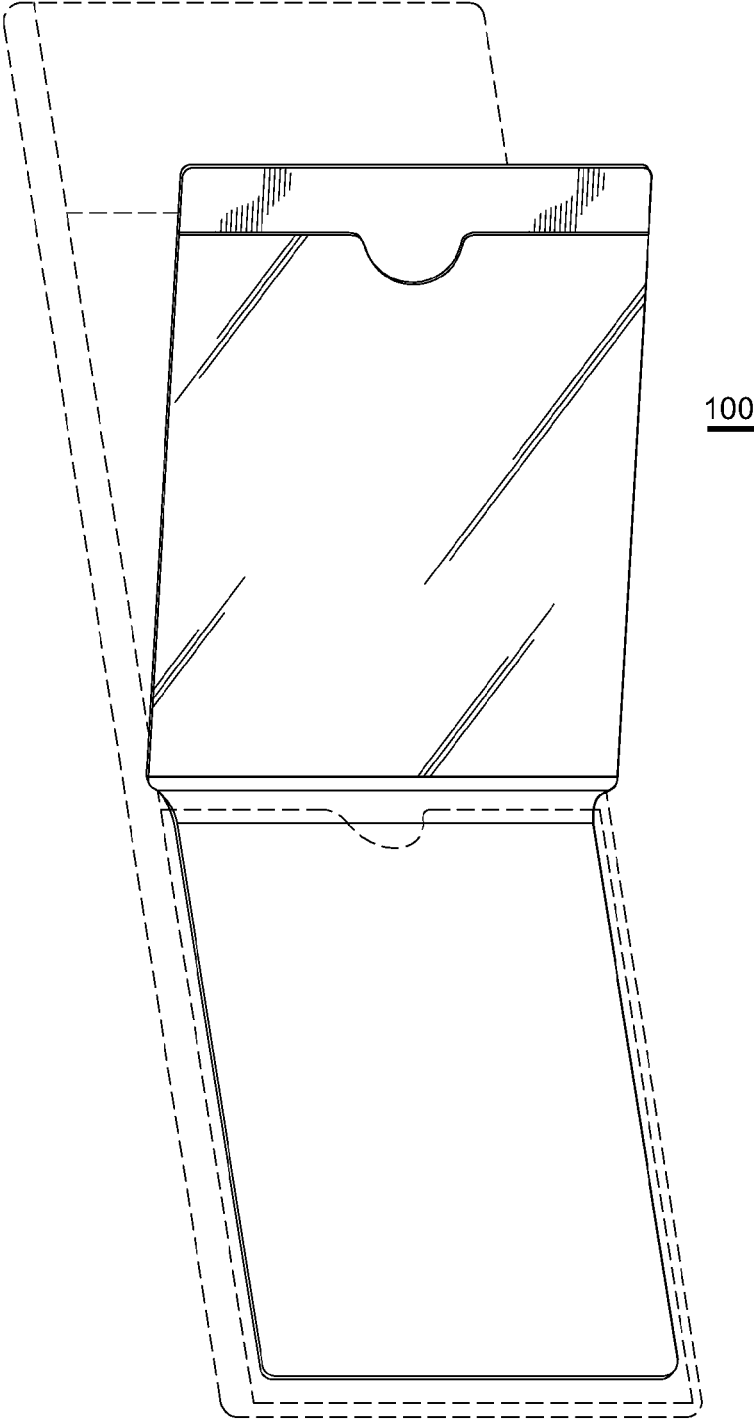


FIG. 24

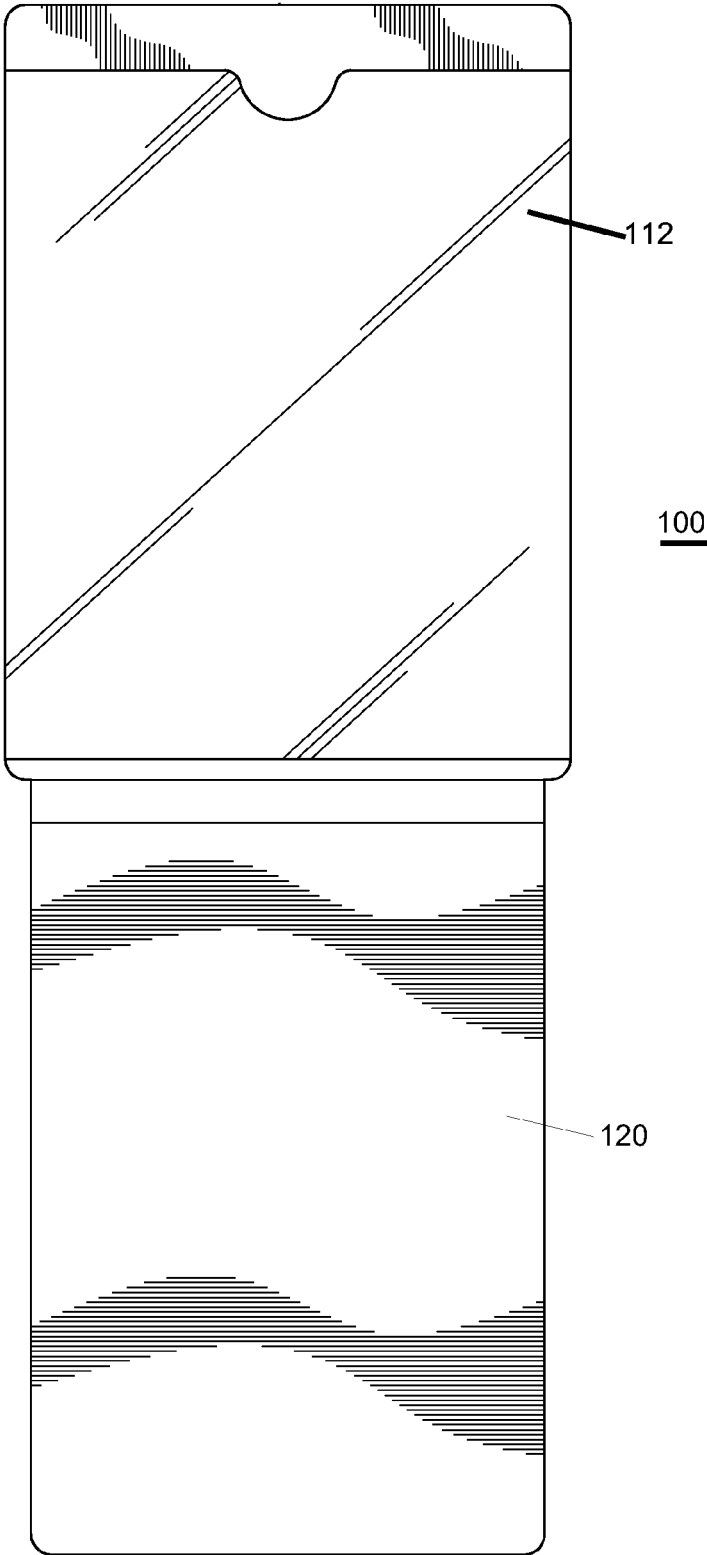
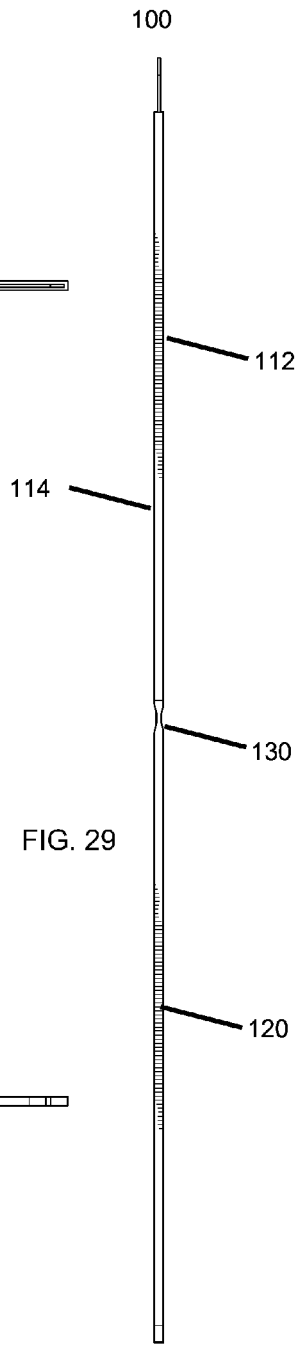
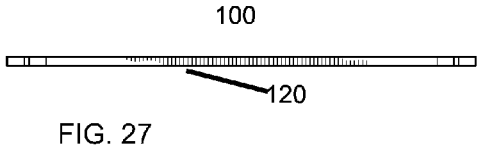
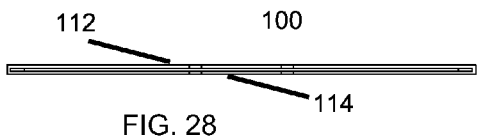
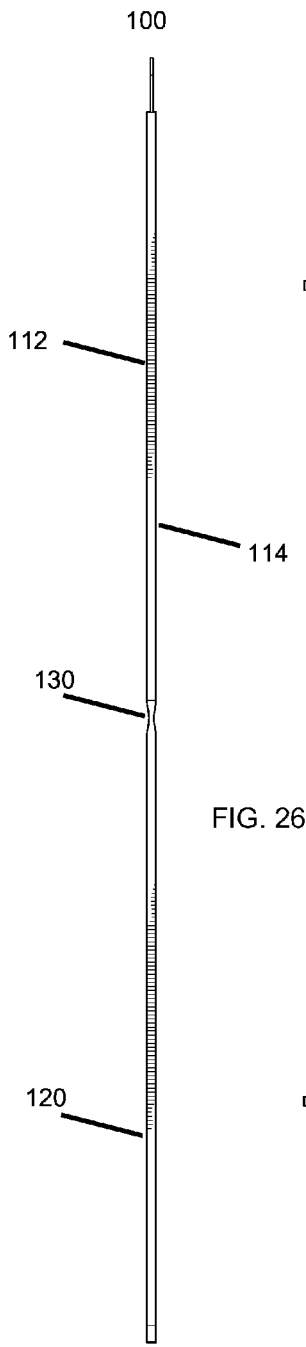


FIG. 25



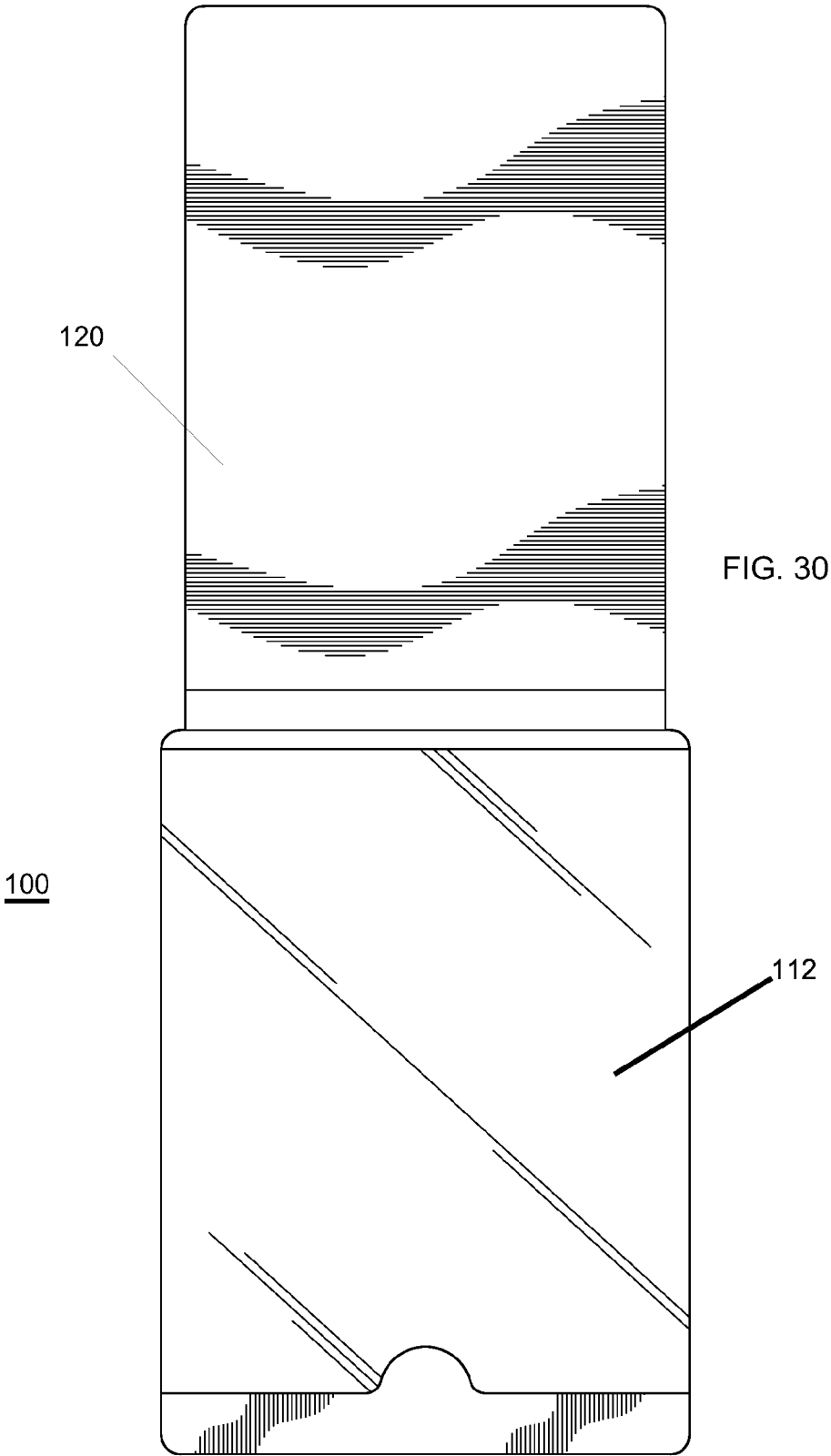
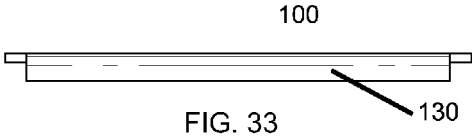
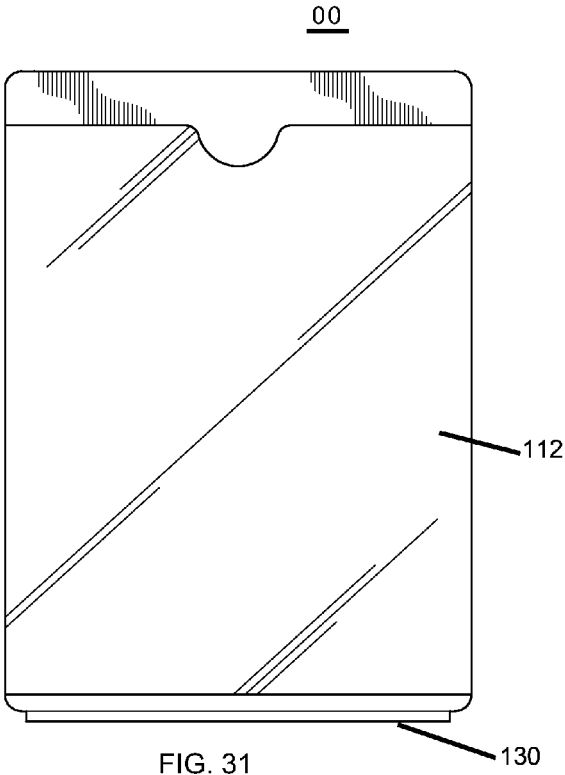
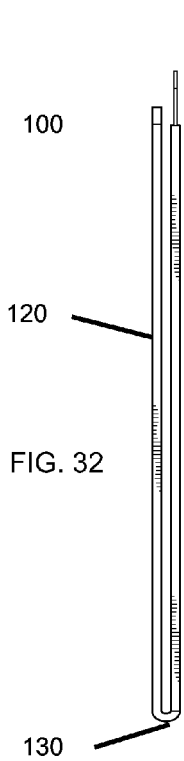
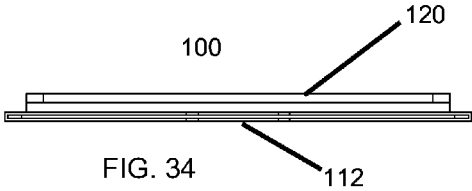


FIG. 30



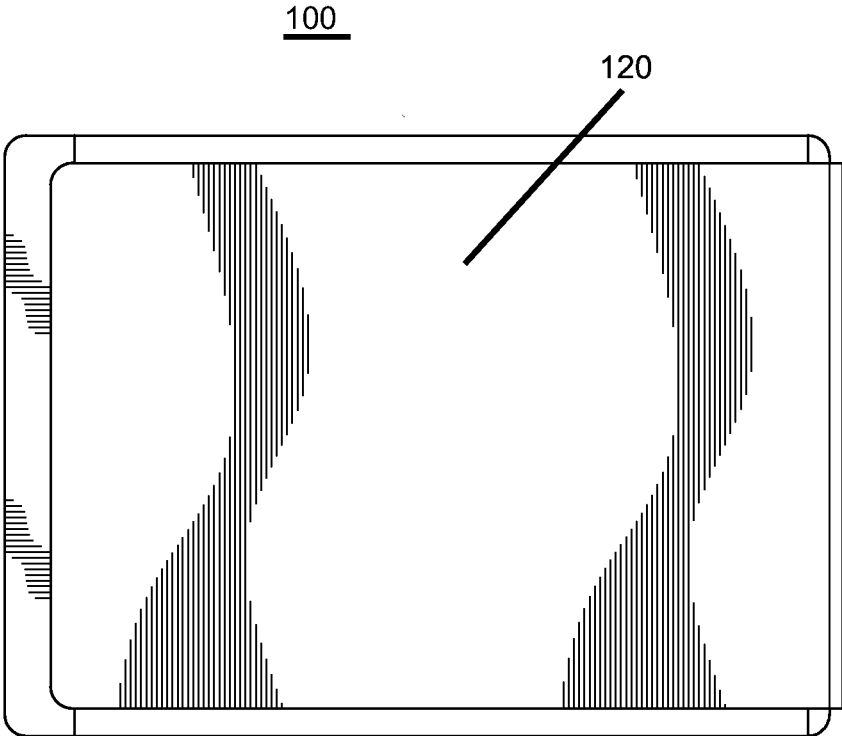


FIG. 35

**FOLDABLE ORGANIZER WITH INTERIOR
INSERT**

RELATED APPLICATION

[0001] This application claims the benefit of priority to provisional application 61/844,851, filed on Jul. 10, 2013, which is incorporated herein by reference.

FIELD OF THE INVENTION

[0002] The present invention relates to methods and devices for organizing and capturing the responsibilities of a waiter or server in a restaurant. More specifically, the present invention relates to methods and devices for recording food orders placed by a restaurant patron, organizing and processing a receipt and/or monies associated with a restaurant check, and organizing the responsibilities of a restaurant waiter or server.

BACKGROUND

[0003] The following description includes information that may be useful in understanding the present invention. It is not an admission that any of the information provided herein is prior art or relevant to the presently claimed invention, or that any publication specifically or implicitly referenced is prior art.

[0004] The responsibilities associated with a restaurant waiter or server involves numerous responsibilities and duties. Examples of various functions include memorizing the "specials of the day" and associated prices, memorizing various spices and additives in preparing a dish, as well as providing for chef suggestions to accompany certain dishes, and wine and drink pairings. In addition, a waiter must keep organized meal orders placed by different tables within the restaurant, and attend to the needs of restaurant patrons. Furthermore, a waiter must keep account of all receipts and monies exchanged throughout the night, accounting for such things as tips, bar tabs and making change for restaurant patrons.

[0005] As is customary in restaurants, a waiter may be responsible for upwards of eight tables, which could amount to servicing forty or so restaurant patrons at any given time. Restaurants are a service-related industry, and the degree of care and precision a waiter displays while servicing the restaurant patrons is part of the measure of a restaurant's performance. In fact, a well-known restaurant rating guide, ZAGAT, identifies service as the second most important factor in determining a restaurant's rating, second only to food quality. An organized waiter often can provide a better service experience for a restaurant patron.

[0006] In juggling their various duties and responsibilities, many waiters are faced with the time-consuming task of searching for the needed article or information throughout the service of their tables. This could reflect poorly on the service being provided to the restaurant patron, and result in a lower tip and a lower approval rating for the restaurant.

[0007] The present invention addresses these limitations by providing for a novel method and device for capturing and organizing information common to restaurant waiters. The present invention further provides a novel method and device for increasing efficiency and limiting errors associated with restaurant waiter duties and responsibilities.

SUMMARY OF THE INVENTION

[0008] The present invention provides methods and devices for capturing and organizing information common to restaurant waiters in performing their waiting duties and responsibilities.

[0009] In one embodiment, the organizer comprises an interior insert may be attached between the top interior panel and the bottom interior panel of the folding case. The insert may have a first clear pocket and a second clear pocket on opposite sides wherein the first pocket is visible when folding case is open and the interior insert is adjacent to the bottom interior panel, and the second clear pocket is visible when folding case is open and the interior insert is adjacent to the bottom interior panel. Each pocket may having an opening with a U-shaped notch and be configured to hold a card or other object.

[0010] In one embodiment, the organizer comprises a folding case with a leaf having an end affixed within an elongated compartment. The leaf may include a plurality of pockets. For example, the leaf may include a first and a second pocket, each pocket having an opening and configured to hold a card or a similarly shaped object. The openings of the first and second pockets being accessible through the elongated opening of the elongated compartment. The first pocket is located adjacent the top interior side and the second pocket is located adjacent the bottom interior side, such that the pockets do not interfere with closing the folding case.

[0011] In another embodiment, the organizer comprises a folding case having a rear exterior side including a backing and a flexible shell covering at least a substantial portion of the rear exterior side of the folding case, and a v-shaped opening integrally formed in the flexible shell. The v-shaped opening creates a rear pocket between the flexible shell and the backing, and the rear pocket is configured to accept a card.

[0012] In another embodiment, the organizer comprises a folding case and an insert capable of being attached to one end of the folding case. The insert remains between the top interior panel and the bottom interior panel of the folding case when the folding case is in the closed position; the insert including a plurality of pages for holding cards such as credit cards or driver's licenses, or similarly shaped objects. Each of the plurality of pages is joined at one end, and the means for fastening is located adjacent the end opposite the one end where the plurality of pages are joined. A strap or clip may be used to attach the insert to one end of the folding case.

[0013] Other features and advantages of the present invention will become more apparent from the following detailed description of the invention, when taken in conjunction with the accompanying exemplary drawings.

BRIEF DESCRIPTION OF THE DRAWINGS

[0014] FIG. 1 depicts a top, front, perspective view of the foldable organizer in a closed position, in accordance with an embodiment of the present invention.

[0015] FIG. 2 is a left side elevation view of the foldable organizer in a closed position.

[0016] FIG. 3 is a right side elevation view of the foldable organizer in a closed position.

[0017] FIG. 4 is a bottom plan view of the foldable organizer in a closed position.

[0018] FIG. 5 is a rear elevation view of the foldable organizer in a closed position.

[0019] FIG. 6 is a top plan view of the foldable organizer in a closed position.

[0020] FIG. 7 is a front elevation view of the foldable organizer in a closed position.

[0021] FIG. 8 is a perspective view of the interior of the foldable organizer in an open position.

[0022] FIG. 9 is an elevational view of the exterior of the foldable organizer in an open position.

[0023] FIG. 10 is an elevational view of the interior of the foldable organizer in an open position with a writing pad shown in dashed lines.

[0024] FIG. 11 is a bottom plan view of the foldable organizer in an open position.

[0025] FIG. 12 is a top plan view of the foldable organizer in an open position.

[0026] FIG. 13 is a left side elevation view of the foldable organizer in an open position.

[0027] FIG. 14 is a right side elevation view of the foldable organizer in an open position.

[0028] FIG. 15 is a front, top, left exploded view of the interior section with the foldable organizer in an open position showing the insert removed.

[0029] FIG. 16 is a front, top, perspective view of the ORGANIZER in an open position showing the compartment slightly open and a separate pocketed leaf contained within the compartment.

[0030] FIG. 17 is a cross-sectional view taken along line 17-17 showing the front of the separate pocketed leaf attached to the bottom of the compartment of the ORGANIZER.

[0031] FIG. 18 is a rear, top, perspective view of the ORGANIZER in an open position showing the compartment slightly open and a separate pocketed leaf contained within the compartment.

[0032] FIG. 19 is a cross-sectional view taken along line 19-19 showing the rear of the separate pocketed leaf attached to the bottom of the compartment of the ORGANIZER.

[0033] FIG. 20 is a front elevational view of the insert for foldable organizer in an open position.

[0034] FIG. 21 is a side view of the insert for foldable organizer in an open position.

[0035] FIG. 22 is a front, side perspective view of the insert for the foldable organizer.

[0036] FIG. 23 is a rear, side perspective view of the insert for the foldable organizer.

[0037] FIG. 24 is a perspective view of the INTERIOR INSERT in a partially open position, placed within an organizer appearing in broken lines;

[0038] FIG. 25 is an elevational view of the exterior of the INTERIOR INSERT in an open position;

[0039] FIG. 26 is a bottom plan view of the ORGANIZER INSERT in an open position;

[0040] FIG. 27 is a left side elevation view of the INTERIOR INSERT in an open position;

[0041] FIG. 28 is a right side elevation view of the INTERIOR INSERT in an open position;

[0042] FIG. 29 is a top plan view of the INTERIOR INSERT in an open position;

[0043] FIG. 30 is an elevational view of the interior of the INTERIOR INSERT in an open position;

[0044] FIG. 31 is a front elevation view of the INTERIOR INSERT in a closed position;

[0045] FIG. 32 is a top plan view of the INTERIOR INSERT in a closed position;

[0046] FIG. 33 is a left side elevation view of the INTERIOR INSERT in a closed position;

[0047] FIG. 34 is a right side elevation view of the INTERIOR INSERT in a closed position.

[0048] FIG. 35 is a rear elevation view of the INTERIOR INSERT in a closed position;

DETAILED DESCRIPTION OF EMBODIMENTS

[0049] In various embodiments, the foldable organizer comprises a folding case having a compartment for storing receipts. The foldable organizer also may be described as a stationary-type portfolio or as a padfolio, and may be suggestive of a wallet. In one embodiment, a foldable organizer designed to capture various information helpful to a waiter or server. Such a foldable organizer may include a folding case containing a notepad; at least one compartment for storing paper money and receipts; a clear pocket for inserting information; a writing utensil holder; a rear card pocket for holding a credit card; and a credit card swipe machine to processing credit cards. The folder organizer also may include an elongated leaf affixed within the compartment, dividing the compartment into two sections, and the leaf further having pockets for accepting and holding cards. The pockets are positioned on the leaf so as to avoid interfering with the closing of the folding case. Referring now to the drawings, like parts are designated by like reference characters throughout the several views.

[0050] FIGS. 1 and 7 depict a foldable organizer case 10 in a closed position, and showing the rear pocket 20 for storing cards such as a credit card or a point-of-sale (POS) computer swipe card. One suitable dimension for the rear pocket is 2.8 inches (7.2 cm) by 2.6 inches (6.7 cm). The rear pocket 20 is also illustrated in FIGS. 9 and 18, depicting the foldable organizer case 10 in an open position.

[0051] The rear pocket 20 preferably is integrally formed on the rear exterior section 18 of the foldable organizer case 10. The rear exterior section 18 includes a backing 22 and a flexible shell 24 covering substantially the entire rear exterior section of the folding case 10. A v-shaped opening 26 is formed integrally in the flexible shell 24. The v-shaped opening 26 creates the rear pocket between the flexible shell 24 and the backing 22, and the rear pocket 20 is configured to accept a card such as a credit card or a POS card. The integrally formed rear pocket 20 streamlines the appearance and leaves a large surface on the rear exterior section 18 to deboss and/or print custom branding or logos.

[0052] Vinyl (or PVC) is a suitable material for the flexible shell 24. Leather is another suitable material for the flexible shell. The backing 22 is preferably rigid. Cardboard may be a suitable material for the backing 22. In one embodiment, a sheet 28 of vinyl is adhered to the backing 22 and behind the flexible shell on the rear exterior section 18 of the foldable organizer case 10. In this manner, a card in the rear pocket 20 would be sandwiched between two layers of vinyl. The additional layer of material placed over the backing 22 and behind the flexible shell 24 of the rear exterior section 18 also helps avoid the seals or lines that a non-integrally formed rear pocket would create.

[0053] The rear pocket 20 is preferably sized and positioned on the rear exterior section to prevent the inserted card from getting lost in the void alongside the additional layer of material. The v-shape of the opening 26 for the rear pocket 20 facilitates removal of the card from the pocket. Preferably, the sides of the rear pocket 20 cover about two-thirds of the length

of the card to be held by the pocket. The rear pocket **20** preferably also is located near the bottom left corner of the rear exterior section **18** of the foldable organizer case **10**. Otherwise, having the rear pocket positioned more toward the center of the rear exterior section of the foldable case, and cover most of the card, could increase the possibility that the inserted card may slip between the backing and the shell.

[0054] Where the rear exterior section **18** of the foldable organizer case has dimensions of about 6.6 inches (16.9 cm) by 4.6 inches (11.8 cm), a sheet **28** of vinyl having a preferable size of 4.75 inches (12.2 cm) by 6.5 inches (16.6 cm), is placed behind the backing **22** of the case **10**. The opening **26** in the shell **24** for the rear pocket **20** is preferably placed 2.9 inches (7.5 cm) right of center, and coincides with the placement of the vinyl sheet **28** on the backing **22**. The shell **24** preferably is constructed from vinyl, and so a card in the rear pocket would be sandwiched between two sheets of vinyl in this embodiment. A small sealed ridge may be placed around the pocket to make the rear opening stronger and less prone to tearing. A triangle or v-shaped opening **26** is preferred to reduce the likelihood of tearing at the top corner of the rear pocket **20**.

[0055] FIGS. **10** and **15** depict the foldable organizer case **10** in an open configuration. The foldable organizer case **10** comprises a folding case which may contain a notepad or waiter pad **30** for taking food orders placed by restaurant patrons, as well as special requests and other notes regarding the table. The foldable organizer case may include an upper interior pocket into which the back of the notepad may be inserted to hold the notepad in the case.

[0056] The bottom interior panel **34** and the top interior panel **36** are exposed when the foldable organizer case **10** is in the open configuration. In this embodiment, the waiter pad **30** is configured in the bottom interior panel **34** of the foldable organizer case **10**, however, the waiter pad **30** may be configured in any portion of the organizer case **10**. As illustrated in FIG. **15**, the top interior panel **36** of the organizer case **10** further comprises a clear interior pocket **38** for displaying various information related to the function of waiting tables, serving restaurant patrons, and/or other relevant information, when the organizer case **10** is in the open position. The foldable organizer case **10** also may include a lower interior pocket **32** for storing a card such as a credit card, preferably on the bottom interior panel **34** behind the pad **12**.

[0057] The organizer also may include a pen holder. The pen holder may be a channel in the fold of the case that will allow a pen to slide in and out. Another embodiment of the organizer may also include a light preferably located at the top of the top interior panel to illuminate the waiter pad **12** and or the clear pocket, or both, when the foldable organizer case is in the open position.

[0058] FIG. **16** further depicts at least one billfold compartment **40** for storing paper items, such as paper money, receipts, and bills. The compartment **40** preferably is elongated, with an opening that runs nearly the entire length of the open case **10**. The compartment may have only a single common storage space, or, in the alternative, the compartment may be divided into two separate areas, or sub-compartments. For example, one for cash, and one for credit card receipts. These sub-compartments **46** and **48** are separated or divided by a flexible leaf **50**. Preferably, the bottom of the leaf is affixed to the bottom **44** of the compartment **40**. In one preferred embodiment, the leaf **50** is positioned in the middle of the billfold compartment **40**, and does not to extend the entire

length of the compartment **40**. The lateral ends of the leaf **50** are free or unaffixed to the compartment **40**. The leaf **50** may act as a divider without having its lateral ends affixed to the compartment **40** and still substantially isolate the sub-compartments created by the leaf **50**, while allowing for less constrictive access to the sub-compartments **46** and **48**. This also allows the billfold area to be closely positioned at the top and bottom, making the compartment tight in those areas, and allows for less bulk in the foldable organizer. In one embodiment, the leaf **50** sits one centimeter below the height of the compartment, and only extends wide enough to hold two credit cards. The leaf **50** can be moved forward and back to provide the user with access to separate areas of the billfold compartment **40**, as well as to the pockets of the leaf **50**.

[0059] The leaf **50** preferably includes four pockets **52**, **54**, **56**, and **58**, each having an opening and configured to hold a card such as a credit card. The first pocket **52** preferably is located adjacent the top interior panel and the second pocket **54** is located adjacent the bottom interior panel such that the pockets do not interfere with closing the folding case **10**. Preferably, two pockets are placed symmetrically on each side of the leaf **50**. Thus, first pocket **52** and third pocket **56** are located adjacent the top interior panel and the second pocket **54** and fourth pocket **58** are located adjacent the bottom interior panel. Various guests' credit cards and/or driver's licenses can be stored in the leaf **50** within the billfold compartment **40**. Each pocket preferably includes a clear material to allow the user to identify each guest's credit card and/or driver's license. Preferably, each pocket opens toward the top of the billfold compartment.

[0060] The foldable organizer case **10** may be used with an insert **60** to store credit cards, driver's licenses, and similarly sized objects. The insert **60** preferably includes a plurality of sheets **62** with pockets **72** sized for holding credit cards. Preferably, each sheet includes three pockets on each side. The pocketed sheets **72** are sandwiched between a front sheet **64** and a back sheet **66** which are preferably clear to allow the user to identify the cards, as illustrated in FIGS. **8**, **15**, **22** and **23**. In one embodiment, the back sheet is formed from a semi-rigid piece of solid colored PVC material having a thickness of about 0.75 mm to 1.0 mm. Preferably, the back sheet is made from the same material as the interior of the case. All of the sheets are attached at one end **72**, with the opposite end unattached to allow one to flip from one sheet to another in an accordion fashion, as illustrated in FIGS. **22** and **23**. The sheets of the insert **60** are accessible near the top of the case in the open position, as illustrated in FIG. **8**, as well as FIGS. **1**, **11** and **12**. The back sheet **66** includes an elastic fabric band **70** wraps around the front end of the case **10** to hold the insert **60** in place. Having the elastic fabric band **70** wrap around the top of the front end of the case **10** also allows access to the compartment **40**, and allows the sheets of the insert **60** to be accessible near the top of the case **10** in an accordion fashion. The elastic band may include branding or a logo. The elastic band **70** may be attached to the back sheet **66** by riveting, thermoplastic bonding, another suitable means of attachment. In an alternative embodiment, the insert may be held in place on the top of the case by a clip.

[0061] In FIG. **18**, an optional feature is illustrated on the front exterior side of the organizer **10**. A front exterior pocket **14** is formed on the front exterior side **16** of the organizer case **10**, which enables the user to insert and remove a logo, point of purchase advertisement, or other information chosen to be displayed to restaurant guests. Preferably, three sides of a

clear plastic sheet are affixed to the front exterior section **16** of the foldable case **10**, with a thumb tab cutout formed on the open side of the exterior pocket **14**.

[0062] In one embodiment, the organizer may incorporate a credit card swipe machine for processing credit card transactions remotely from the organizer. The credit card swipe machine may incorporate a wireless communications means for relaying information to an from a central processing system or network.

[0063] In another embodiment, the organizer includes an interior insert **100** with a first clear window on a first side. The pocket is encased on three sides with the remaining side purposely unsealed allowing for the insertion of various advertising and marketing content. A “U shaped” thumb notch located on the opened side assists in the removal of the pockets content. The interior insert further may include a second clear window on a second side. The pocket also is encased on three sides with the remaining side purposely unsealed allowing for the insertion of various educational and training content. A “U shaped” thumb notch located on the opened side assists in the removal of the pockets content.

[0064] In another embodiment, the interior insert capable of being attached to one end of the folding case. The interior insert remains between the top interior panel and the bottom interior panel of the folding case when the folding case is in the closed position. In another embodiment, the insert includes a plurality of pages for holding and displaying various information helpful to a waiter or server. Each page of the insert will be sized to a maximum of fifty percent of the opened dimension of the organizer. Each page will be sealed on three sides with the remaining side purposely unsealed enabling the placement of various content within. A “U shaped” thumb notch located on the open side of the page assists in the removal of the pockets content. Each of the plurality of pages is joined at one end, and the means for fastening is located adjacent the end opposite the one end where the plurality of pages are joined. The adjacent end is purposely ridged and tapered, allowing for it to be easily inserted and securely held into the organizers pockets. A strap or clip may be used to attach the insert to one end of the folding case.

[0065] Vinyl (or PVC) is a suitable material for the interior insert. Leather is another suitable material. In one embodiment two sheets of vinyl are adhered together. Clear Vinyl (or PVD) is adhered on top of either side of the backing to create the pocketing implementation described above. The adjacent or bottom end is preferable rigid. In this manner, card would be sandwiched between the two layers of vinyl. Cardboard may be a suitable material for the backing.

[0066] FIGS. **24**, **25**, and **31** depict the foldable organizer case in an open configuration. The foldable organizer case comprises a folding case which may contain a notepad or waiter pad for taking food orders placed by restaurant patrons, as well as special requests and other notes regarding the table. In another implementation the folding case may contain an electronic device for taking food orders placed by restaurant patrons, as well as special requests and other notes regarding the table. In an alternative embodiment, the organizer may include a compartment to securely hold a tablet computer or similar device instead of a notepad. The foldable organizer case may include an upper or lower interior pocket into which the back of the notepad or electronic device may be inserted to hold the notepad or device in the case.

[0067] The foldable organizer case may be used with an interior insert **100** to display educational, training or other content and well as product information all designed to enhance as servers functionality. The insert preferable includes a plurality of sheets with pockets sized for holding templates or inserts. Preferably, each sheet includes one pocket on each side. The pocketed sheets are sandwiched between a front sheet and a back sheet which are clear to allow the user to reference the material housed in the insert, as illustrated in FIGS. **24-35**. In one embodiment, the back sheet is formed from a semi-rigid piece of solid colored Vinyl or PVC material. Preferably, the back sheet is made from the same material as the interior of the case. All of the sheets are attached at one end, with the opposite end unattached to allow one to flip from one side to another. The pockets of the interior insert are accessible near the bottom and/or top of the case in the open position.

[0068] The interior insert **100** preferably has a first clear pocket **112** and a second clear pocket **114** on opposite sides wherein the first pocket **112** is visible when folding case is open and the insert is adjacent to the bottom interior panel, and the second clear pocket **114** is visible when folding case is open and the interior insert is adjacent to the bottom interior panel.

[0069] The interior insert **100** may have a stiff tongue **120** extending away from the first clear pocket **112** and the second clear pocket **114**, and the interior insert is attached to the folding case when the tongue is inserted into a receptacle on the bottom interior panel. In this manner, the interior insert is removably attached to the bottom interior panel. In an alternative embodiment, the interior insert has a tongue extending away from the first clear pocket and the second clear pocket, and the tongue is permanently attached to the bottom interior panel. The tongue need not be stiff for permanent attachment.

[0070] The clear pockets may be considered to be part of a distal end, the tongue may be considered to be part of a proximal end, with a flexible middle section **130** therebetween so that the insert **100** is capable of being folded to place the pocket **112** of the proximal end next to the tongue **120** of the distal end as illustrated in FIGS. **34** to **35**.

[0071] Although embodiments of the invention are described, it is understood that those skilled in the art may conceive modifications and/or variations to the specific embodiments shown and described herein. Any such modifications or variations that fall within the purview of this description are intended to be included therein as well. Unless specifically noted, the words and phrases in the specification and claims are intended to be given the ordinary and accustomed meanings to those of ordinary skill in the applicable art(s). It is, therefore, evident that the particular embodiments disclosed above may be altered or modified and all such variations are considered within the scope and spirit of the invention.

What is claimed:

1. An apparatus comprising:

- a folding case having a front exterior side, a rear exterior side, a top interior panel, and a bottom interior panel, the folding case configured to have an open position and a closed position;
- an elongated opening running a substantial length of the folding case in the open position on a first side of the case, the elongated opening leading to an elongated compartment;

a leaf having a bottom end affixed within the compartment, the leaf further including a first pocket and a second pocket, each pocket having an opening and configured to hold a card, wherein the first pocket is located adjacent the top interior panel and the second pocket is located adjacent the bottom interior panel such that the first and second pockets do not interfere with closing the folding case; and

an interior insert between the top interior panel and the bottom interior panel of the folding case.

2. The apparatus of claim 1, wherein the first pocket and the second pocket are placed on the same side of the leaf, and the flexible leaf further includes a third pocket and a fourth pocket placed on the side of the leaf opposite of where the first pocket and the second pocket are placed, and the third pocket is located adjacent the top interior panel and the second pocket is located adjacent the bottom interior panel such that all of the pockets do not interfere with closing the folding case when any of the pockets contain a card.

3. The apparatus of claim 1, wherein lateral sides of the leaf are unaffixed to the compartment.

4. The apparatus of claim 1, further comprising an insert having an elastic strap to fasten the insert to the top interior panel at an end distal to the bottom interior panel when the folding case is in the open position and such that the elastic strap does not interfere with access to the elongated compartment, wherein the insert remains between the top interior panel and the bottom interior panel of the folding case when the folding case is in the closed position; the insert including a plurality of pages for holding cards.

5. The apparatus of claim 1, further comprising an insert fastened to one end of the folding case, wherein the insert remains between the top interior panel and the bottom interior panel of the folding case when the folding case is in the closed position; the insert including a plurality of pages for holding cards, wherein each of the plurality of pages is joined at one end, and the means for fastening is located adjacent the end opposite the one end where the plurality of pages are joined.

6. The apparatus of claim 1, wherein the front exterior side of the folding case includes a clear sheet having a periphery, a substantial portion of the periphery being attached to the front exterior side to form a front exterior pocket configured to accept advertising material.

7. The apparatus of claim 1, wherein the rear exterior side of the folding case includes a backing, a flexible shell covering at least a substantial portion of the rear exterior side of the folding case, and a v-shaped opening integrally formed in the flexible shell, the v-shaped opening creating a rear pocket between the shell and the backing, the rear pocket configured to accept a card such that the shell would cover about two-thirds of the length of the card.

8. The apparatus of claim 1, wherein the interior insert has a first clear pocket and a second clear pocket on opposite sides wherein the first pocket is visible when folding case is open and the insert is adjacent to the bottom interior panel, and the second clear pocket is visible when folding case is open and the interior insert is adjacent to the bottom interior panel.

9. The apparatus of claim 1, wherein the interior insert has a first clear pocket and a second clear pocket on opposite sides wherein the first pocket is visible when folding case is open and the insert is adjacent to the bottom interior panel, and the second clear pocket is visible when folding case is open and the interior insert is adjacent to the bottom interior panel; and further the interior insert has a stiff tongue extending away from the first clear pocket and the second clear pocket, and the interior insert is attached to the folding case when the tongue is inserted into a pocket on the bottom interior panel.

10. The apparatus of claim 1, wherein the interior insert has a tongue extending away from the first clear pocket and the second clear pocket, and the tongue is attached to the bottom interior panel.

11. The apparatus of claim 1, wherein the interior insert has a tongue extending away from the first clear pocket and the second clear pocket, and the tongue is permanently attached to the bottom interior panel.

12. An apparatus comprising an insert having a flat rectangular proximal end, a flat rectangular distal end and a middle portion between the proximal end and the distal end, the distal end having a first clear pocket and a second clear pocket on opposite sides of the rectangular distal end, and the proximal end is less wide than the distal end, wherein the distal end is configured to be inserted into one end of a foldable organizer to occupy an interior of the organizer when the organizer folded.

13. The apparatus of claim 1, wherein the first pocket has an opening and a notch located near the opening.

14. The apparatus of claim 13, wherein the second pocket has an opening and a notch located near the opening.

15. The apparatus of claim 1, wherein the middle portion is flexible, and the insert is capable of being folded to place the proximal end next to the distal end.

16. A method of using an insert having a flat rectangular proximal end, a flat rectangular distal end and a middle portion between the proximal end and the distal end, the distal end having a first clear pocket and a second clear pocket on opposite sides of the rectangular distal end, and the proximal end is less wide than the distal end, with a foldable server's organizer for serving customers in connection with restaurant and bar services, comprising:

inserting the distal end of the insert into one end of the foldable server's organizer to occupy an interior of the server's organizer when the server's organizer folded;

placing informational material within at least one of the first clear pocket or second clear pocket so that the informational material is visible when the server's organizer is in an open position.

17. The method of claim 16, wherein the informational material is selected from the group consisting of educational material, training material, and product information.

18. The method of claim 16, further comprising the step of presenting the informational material housed in the insert to customers being served while the server's organizer is open.

* * * * *