



US011664442B2

(12) **United States Patent**  
**Huang et al.**

(10) **Patent No.:** **US 11,664,442 B2**

(45) **Date of Patent:** **May 30, 2023**

(54) **SEMICONDUCTOR DEVICE GATE SPACER STRUCTURES AND METHODS THEREOF**

**H01L 21/02181** (2013.01); **H01L 21/02186** (2013.01); **H01L 21/02189** (2013.01); **H01L 21/02274** (2013.01); **H01L 21/02277** (2013.01);

(71) Applicant: **Taiwan Semiconductor Manufacturing Co., Ltd.**, Hsinchu (TW)

(Continued)

(72) Inventors: **Kuo-Chang Huang**, Hsinchu (TW); **Fu-Peng Lu**, Hsinchu (TW); **Chun-Chang Liu**, Hsinchu (TW); **Chen-Chiu Huang**, Taichung (TW)

(58) **Field of Classification Search**  
CPC ... H01L 27/11-1116; H01L 2924/1437; H01L 27/092-0928; G11C 11/41-419  
See application file for complete search history.

(73) Assignee: **TAIWAN SEMICONDUCTOR MANUFACTURING CO., LTD.**, Hsinchu (TW)

(56) **References Cited**

U.S. PATENT DOCUMENTS

(\* ) Notice: Subject to any disclaimer, the term of this patent is extended or adjusted under 35 U.S.C. 154(b) by 157 days.

5,153,145 A 10/1992 Lee et al.  
5,369,297 A 11/1994 Kusnoki et al.  
(Continued)

FOREIGN PATENT DOCUMENTS

(21) Appl. No.: **17/074,265**

CN 1505120 A 6/2004  
CN 1933162 A 3/2007

(22) Filed: **Oct. 19, 2020**

(Continued)

(65) **Prior Publication Data**

US 2021/0050431 A1 Feb. 18, 2021

**Related U.S. Application Data**

*Primary Examiner* — Monica D Harrison

*Assistant Examiner* — Andre C Stevenson

(74) *Attorney, Agent, or Firm* — Haynes and Boone, LLP

(63) Continuation of application No. 16/429,144, filed on Jun. 3, 2019, now Pat. No. 10,811,519, which is a (Continued)

(57) **ABSTRACT**

A semiconductor device includes a substrate having a channel region; a gate stack over the channel region; a seal spacer covering a sidewall of the gate stack, the seal spacer including silicon nitride; a gate spacer covering a sidewall of the seal spacer, the gate spacer including silicon oxide, the gate spacer having a first vertical portion and a first horizontal portion; and a first dielectric layer covering a sidewall of the gate spacer, the first dielectric layer including silicon nitride.

(51) **Int. Cl.**

**H01L 29/66** (2006.01)

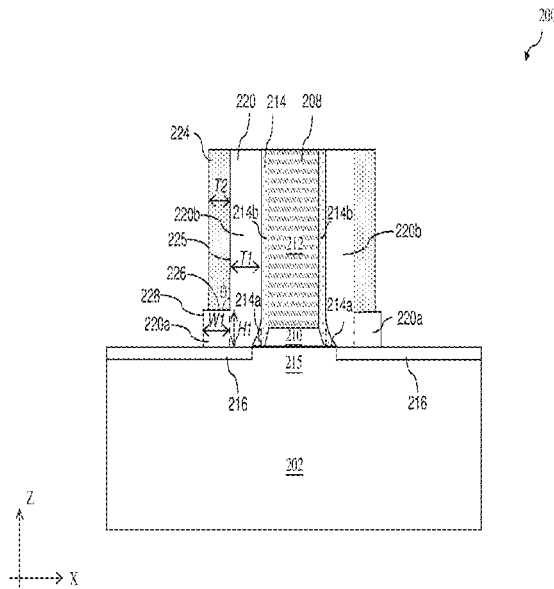
**H01L 21/02** (2006.01)

(Continued)

(52) **U.S. Cl.**

CPC ..... **H01L 29/6656** (2013.01); **H01L 21/0214** (2013.01); **H01L 21/0217** (2013.01); **H01L 21/0228** (2013.01); **H01L 21/02178** (2013.01);

**20 Claims, 18 Drawing Sheets**



**Related U.S. Application Data**

	continuation of application No. 15/891,074, filed on Feb. 7, 2018, now Pat. No. 10,312,348.	6,180,988 B1	1/2001	Wu	
		6,239,471 B1	5/2001	Shimizu et al.	
		6,251,764 B1	6/2001	Pradeep et al.	
		6,593,198 B2	7/2003	Segawa	
		9,318,571 B2	4/2016	Wang et al.	
(60)	Provisional application No. 62/590,003, filed on Nov. 22, 2017.	2002/0190284 A1*	12/2002	Murthy .....	H01L 29/456 257/E29.054
		2006/0024873 A1	2/2006	Nandakumar et al.	
(51)	<b>Int. Cl.</b>	2007/0122966 A1*	5/2007	Hoentschel .....	H01L 29/6656 257/734
	<i>H01L 21/04</i> (2006.01)	2007/0267678 A1	11/2007	Lo	
	<i>H01L 21/306</i> (2006.01)	2009/0246927 A1	10/2009	Wiatr et al.	
	<i>H01L 29/08</i> (2006.01)	2010/0059801 A1	3/2010	Kamei et al.	
	<i>H01L 29/78</i> (2006.01)	2011/0237040 A1	9/2011	Ng et al.	
	<i>H01L 21/8238</i> (2006.01)	2012/0153398 A1	6/2012	Baars et al.	
	<i>H01L 21/8234</i> (2006.01)	2012/0241873 A1	9/2012	Huang	
(52)	<b>U.S. Cl.</b>	2012/0289015 A1*	11/2012	Lu .....	H01L 21/823807 257/E21.409
	CPC ..... <i>H01L 21/046</i> (2013.01); <i>H01L 21/30617</i> (2013.01); <i>H01L 21/823864</i> (2013.01); <i>H01L 29/0847</i> (2013.01); <i>H01L 29/6653</i> (2013.01); <i>H01L 29/6659</i> (2013.01); <i>H01L 29/66545</i> (2013.01); <i>H01L 29/66636</i> (2013.01); <i>H01L 29/7833</i> (2013.01); <i>H01L 21/823468</i> (2013.01); <i>H01L 29/665</i> (2013.01)	2013/0087837 A1	4/2013	Chang et al.	
		2014/0361353 A1*	12/2014	Yin .....	H01L 29/1083 257/288
		2016/0087062 A1*	3/2016	Yin .....	H01L 29/7834 438/283
		2018/0033866 A1	2/2018	Liao et al.	
		2018/0174904 A1	6/2018	Hsieh et al.	
		2019/0043725 A1*	2/2019	Chang .....	H01L 29/66545
		2019/0157419 A1	5/2019	Huang et al.	
(56)	<b>References Cited</b>	2019/0288087 A1	9/2019	Huang et al.	

U.S. PATENT DOCUMENTS

5,573,965 A	11/1996	Chen et al.
5,731,239 A	3/1998	Wong et al.
5,747,373 A	5/1998	Yu
5,972,783 A	10/1999	Arai et al.
6,087,235 A	7/2000	Yu

FOREIGN PATENT DOCUMENTS

CN	106169472 A	11/2016
KR	20160137772	12/2016
KR	20190059191 A	5/2019

\* cited by examiner

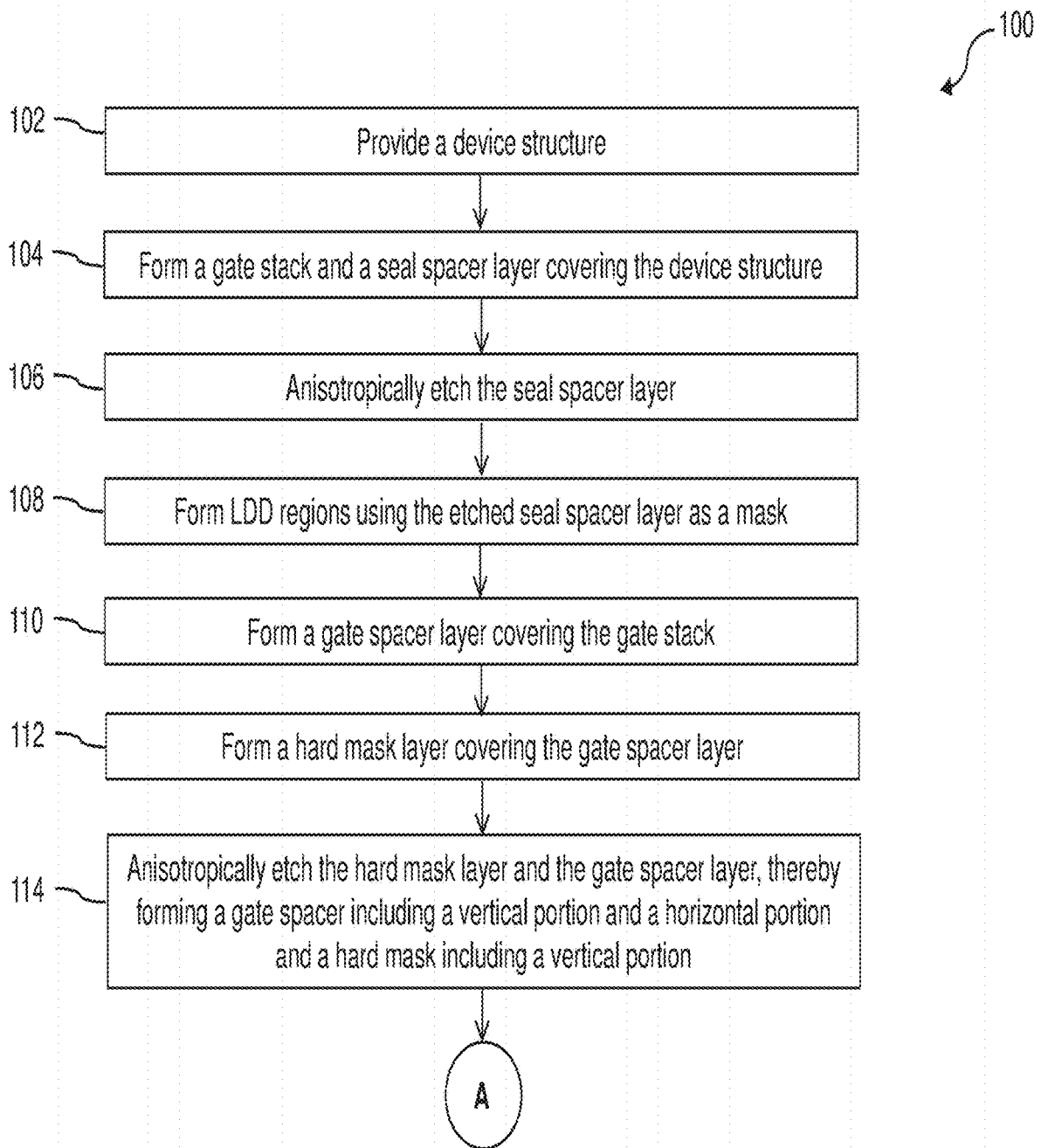


FIG. 1A

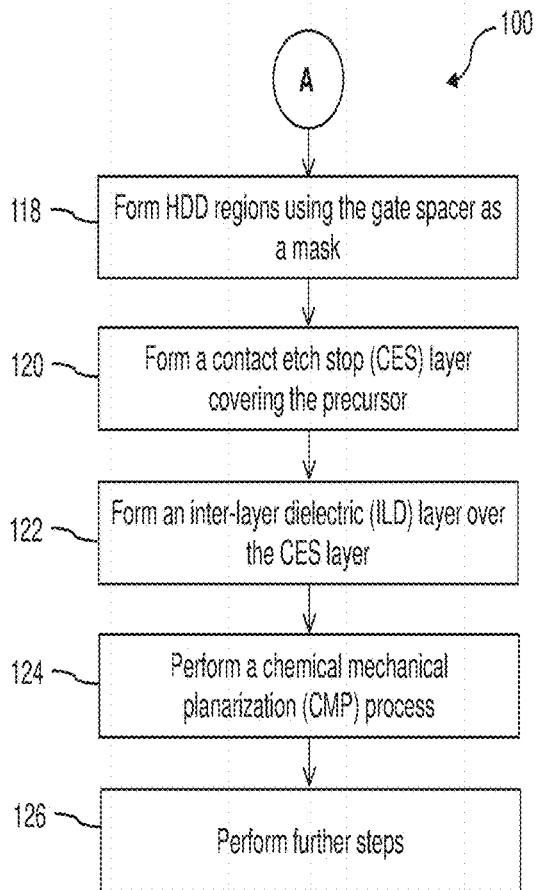


FIG. 1B

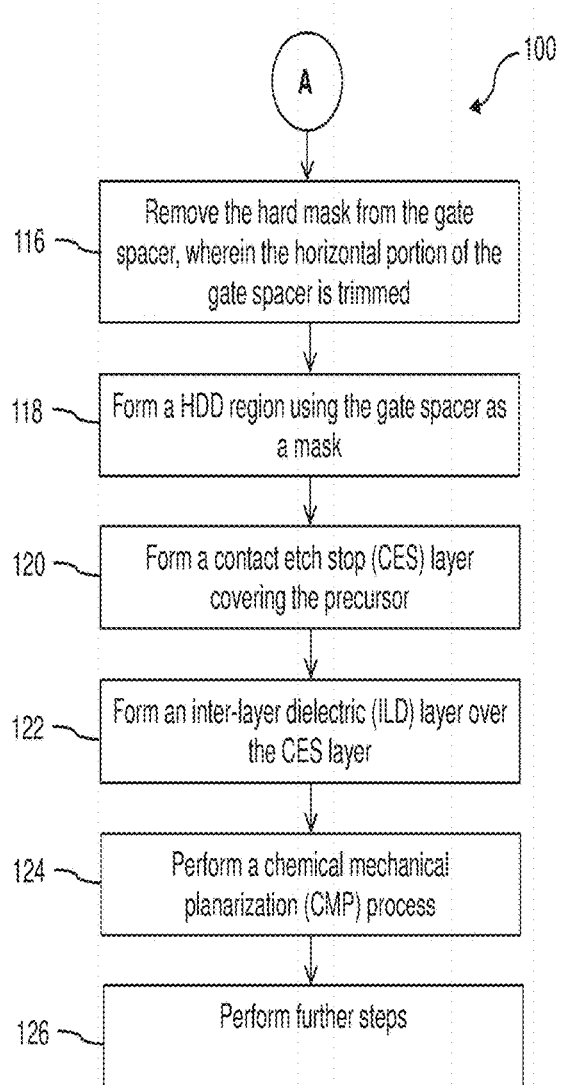


FIG. 1C

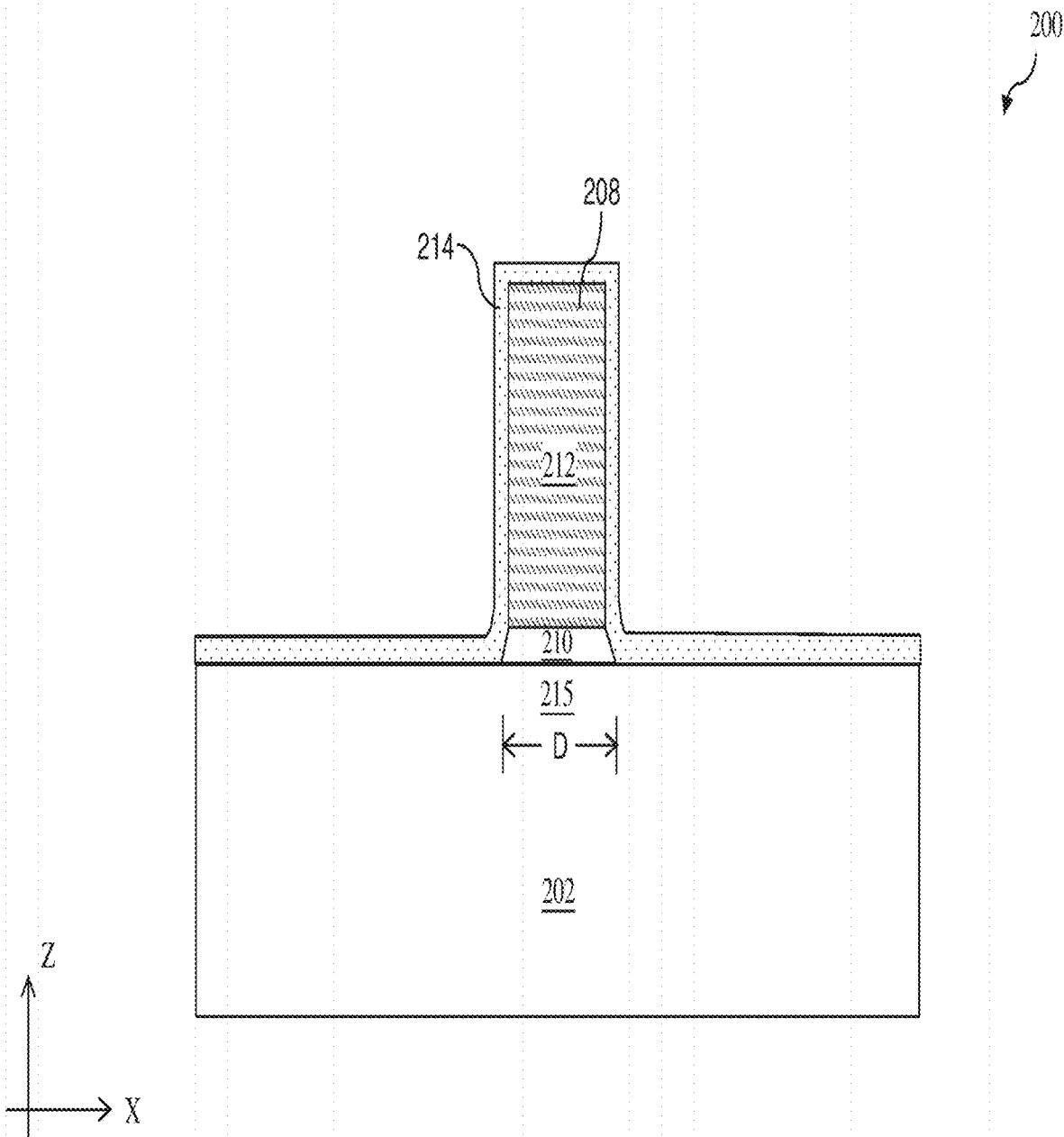


FIG. 2

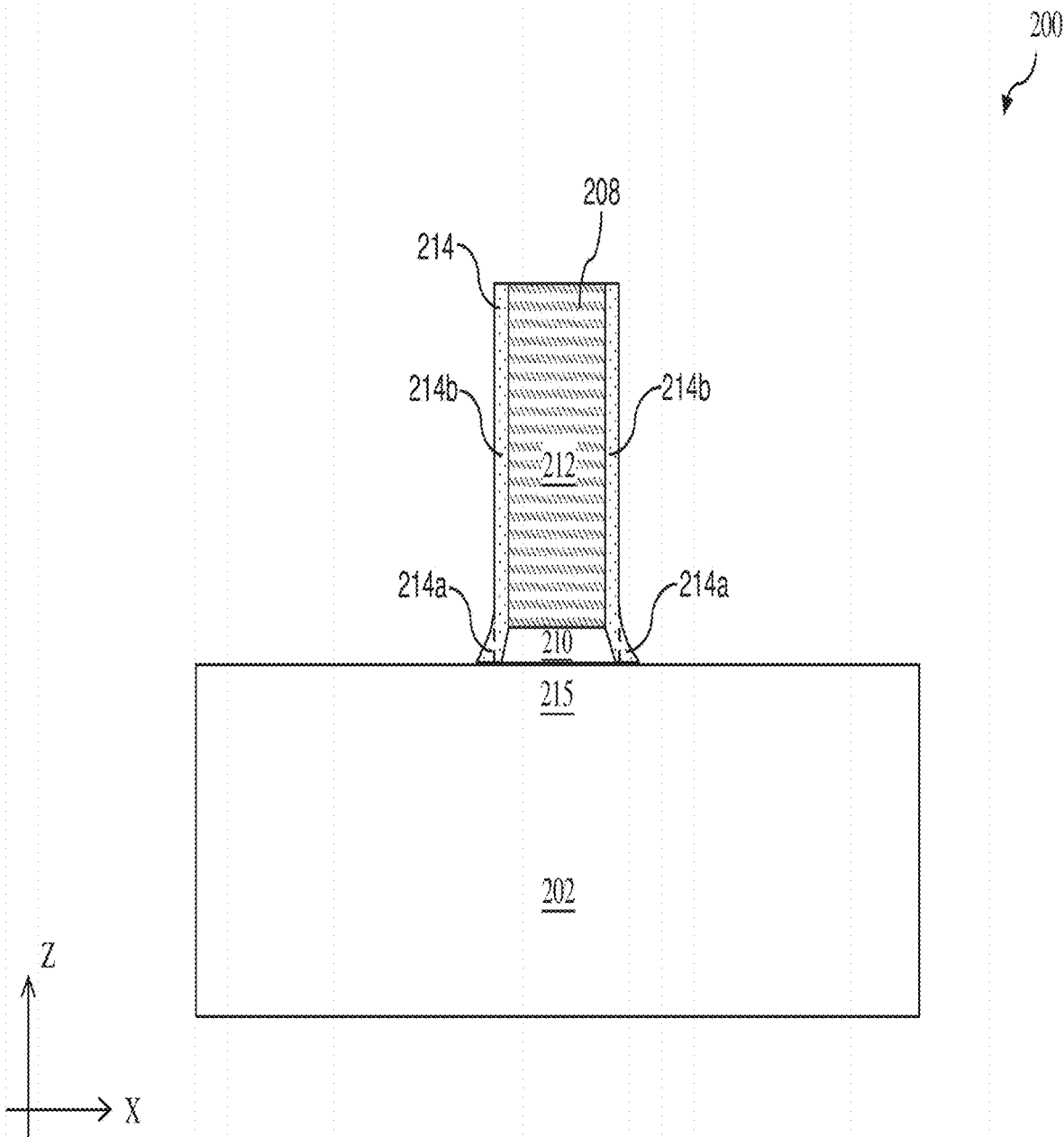


FIG. 3

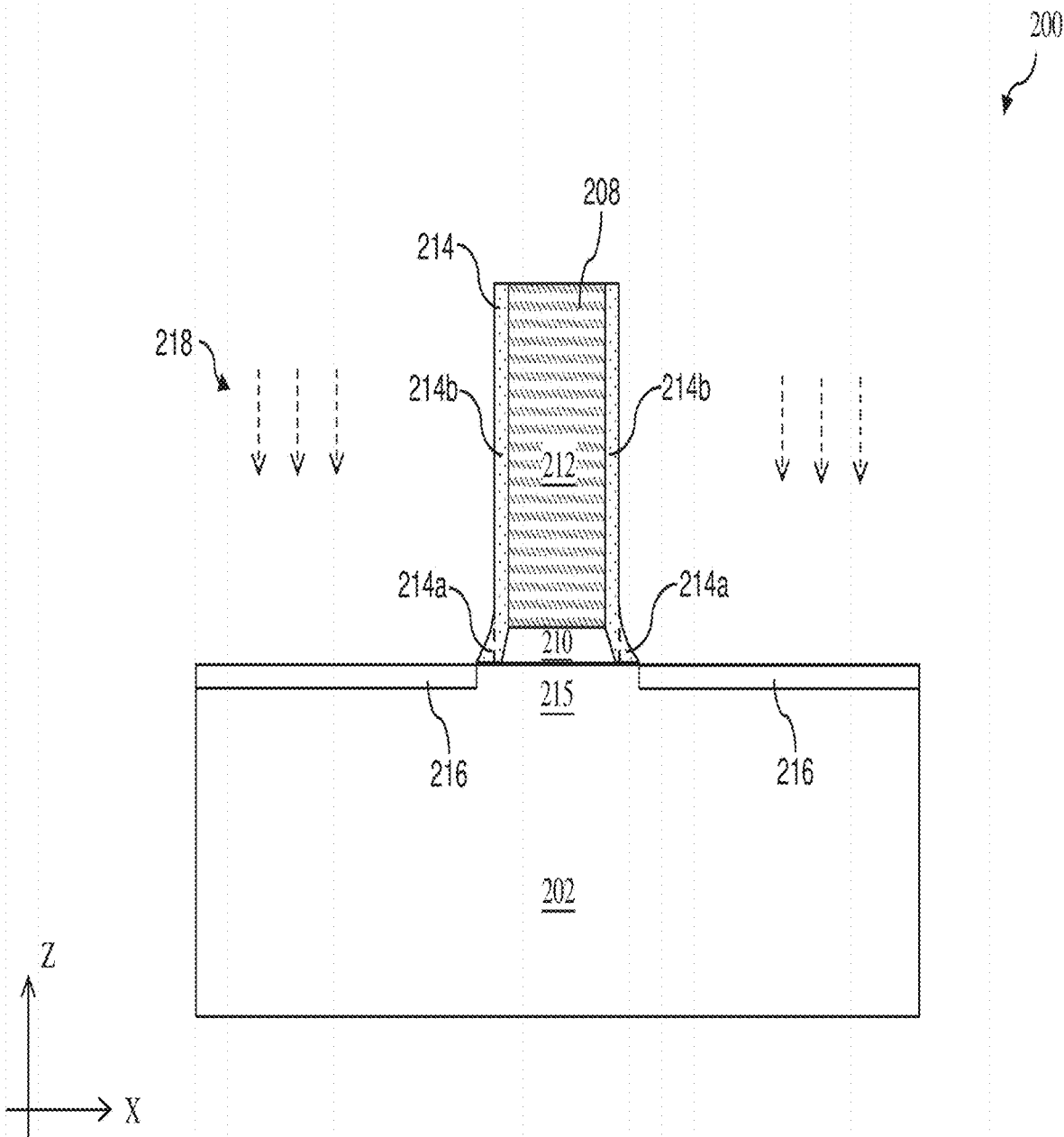


FIG. 4

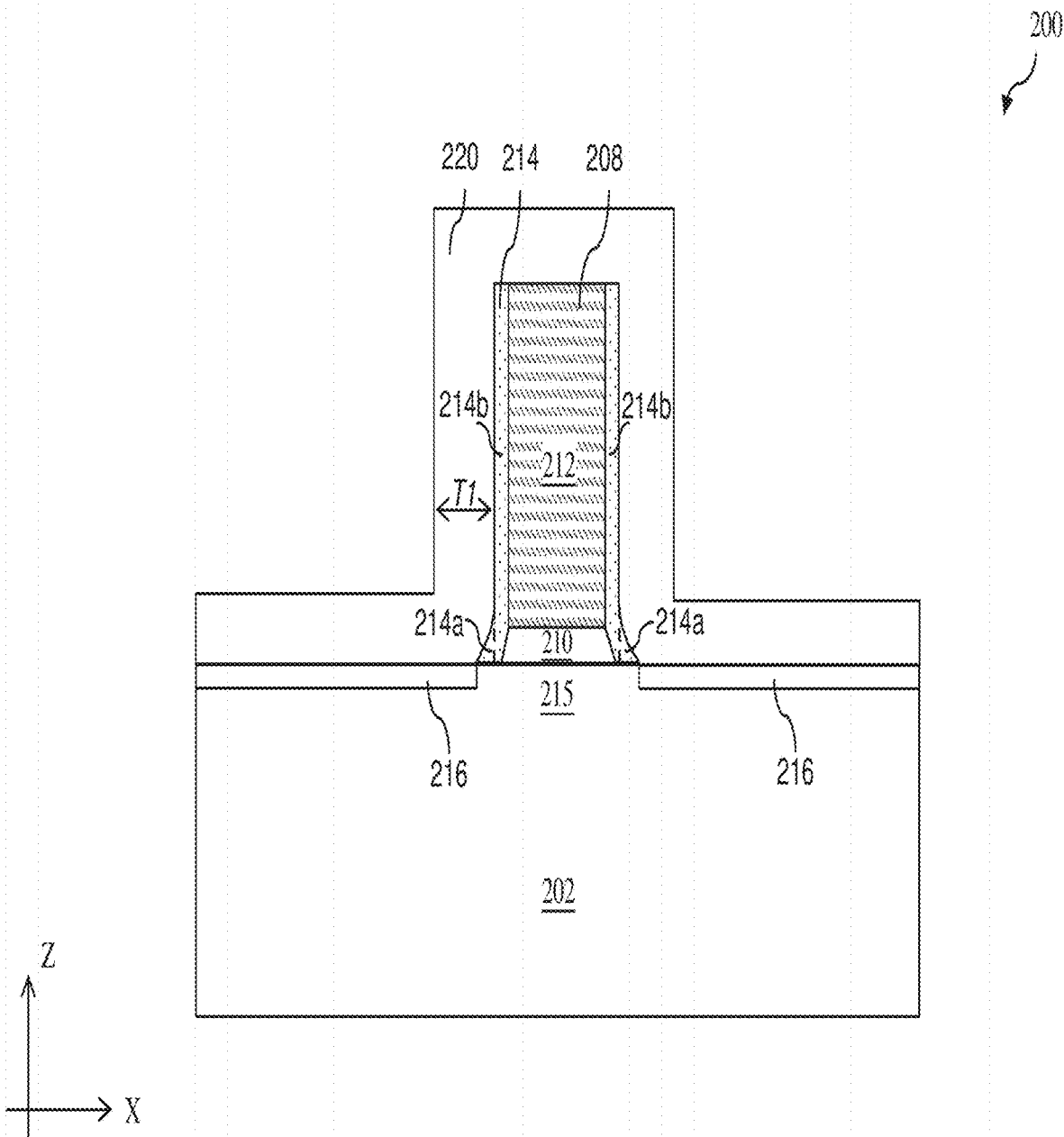


FIG. 5



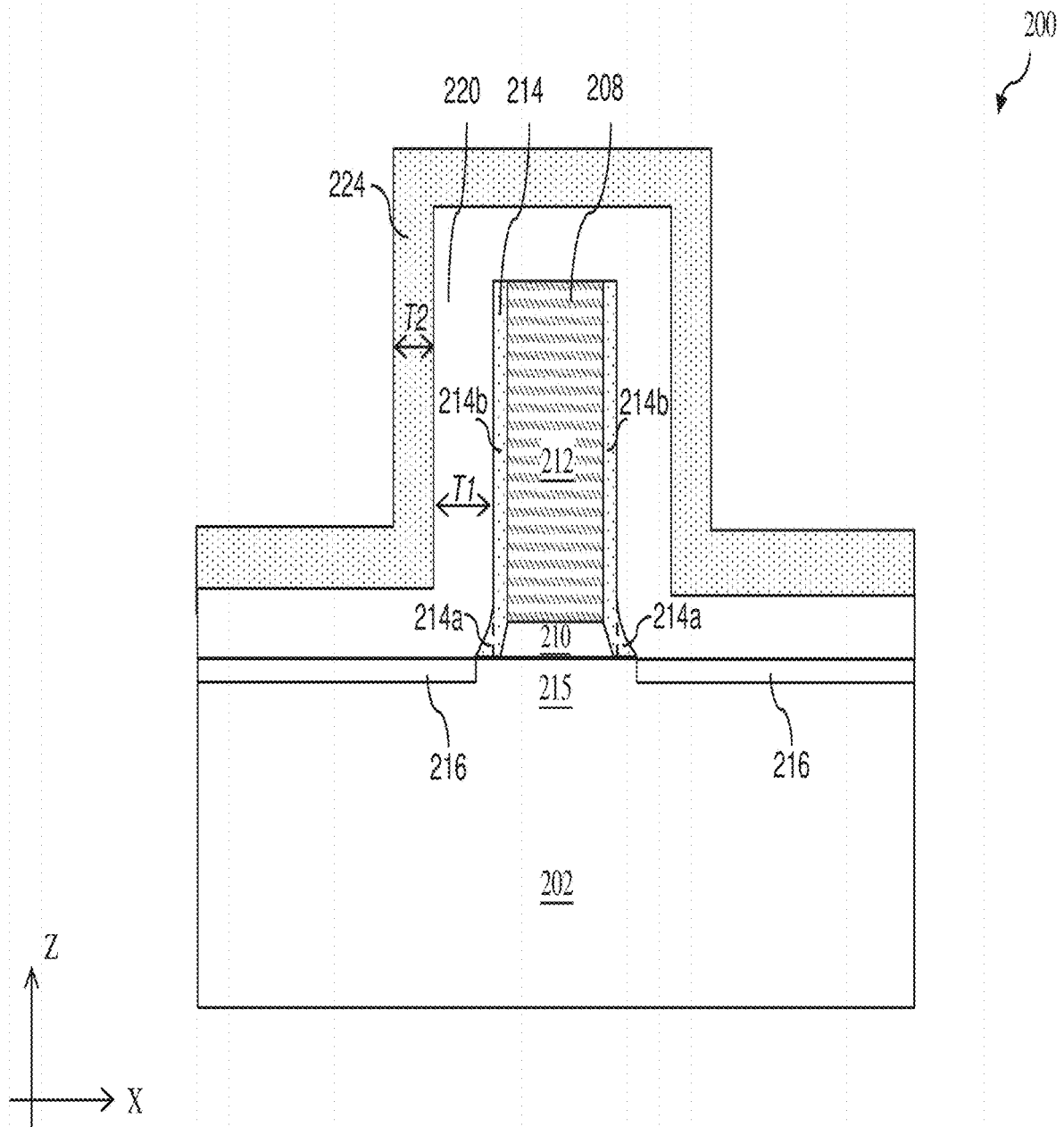


FIG. 6



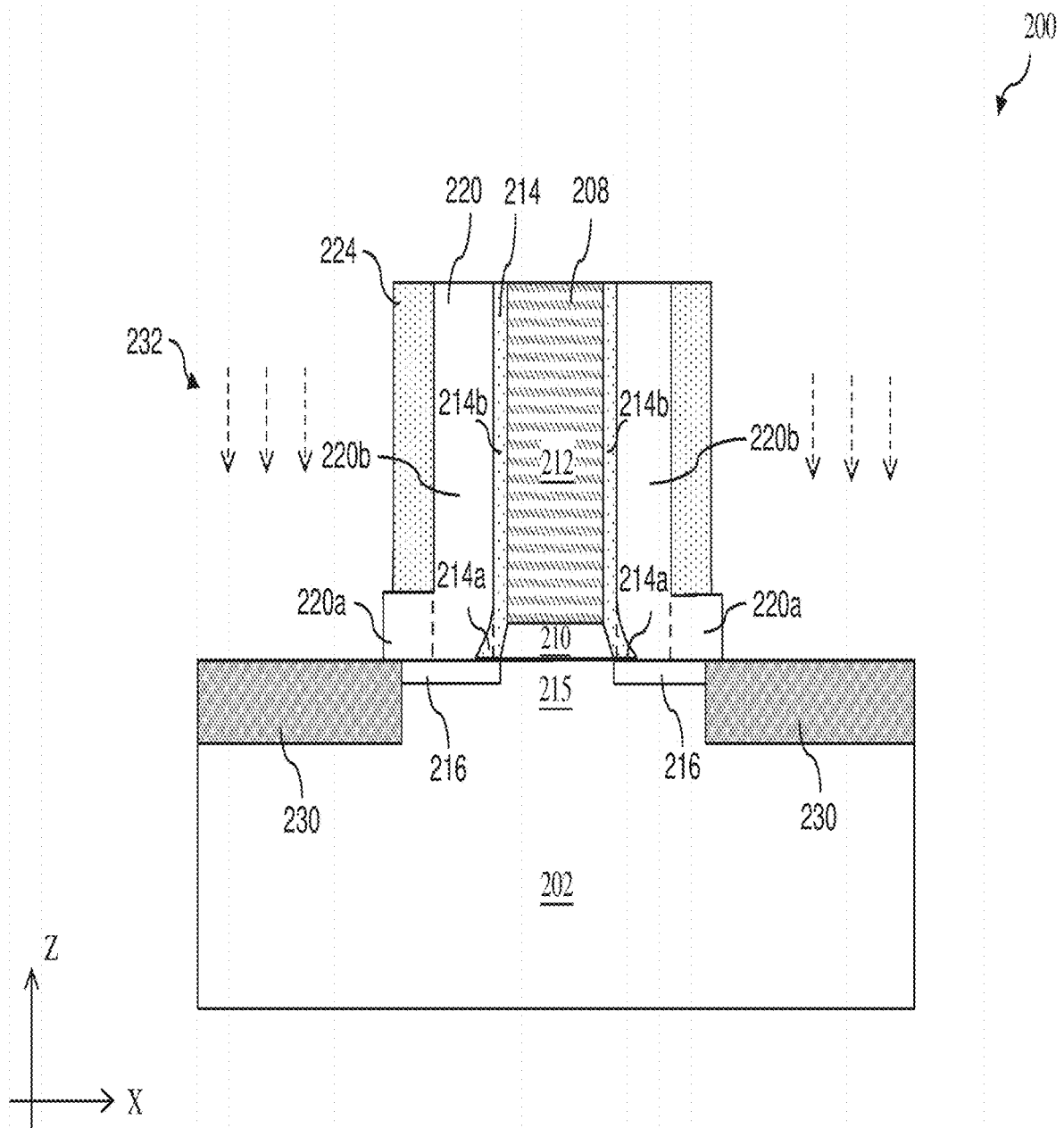


FIG. 8

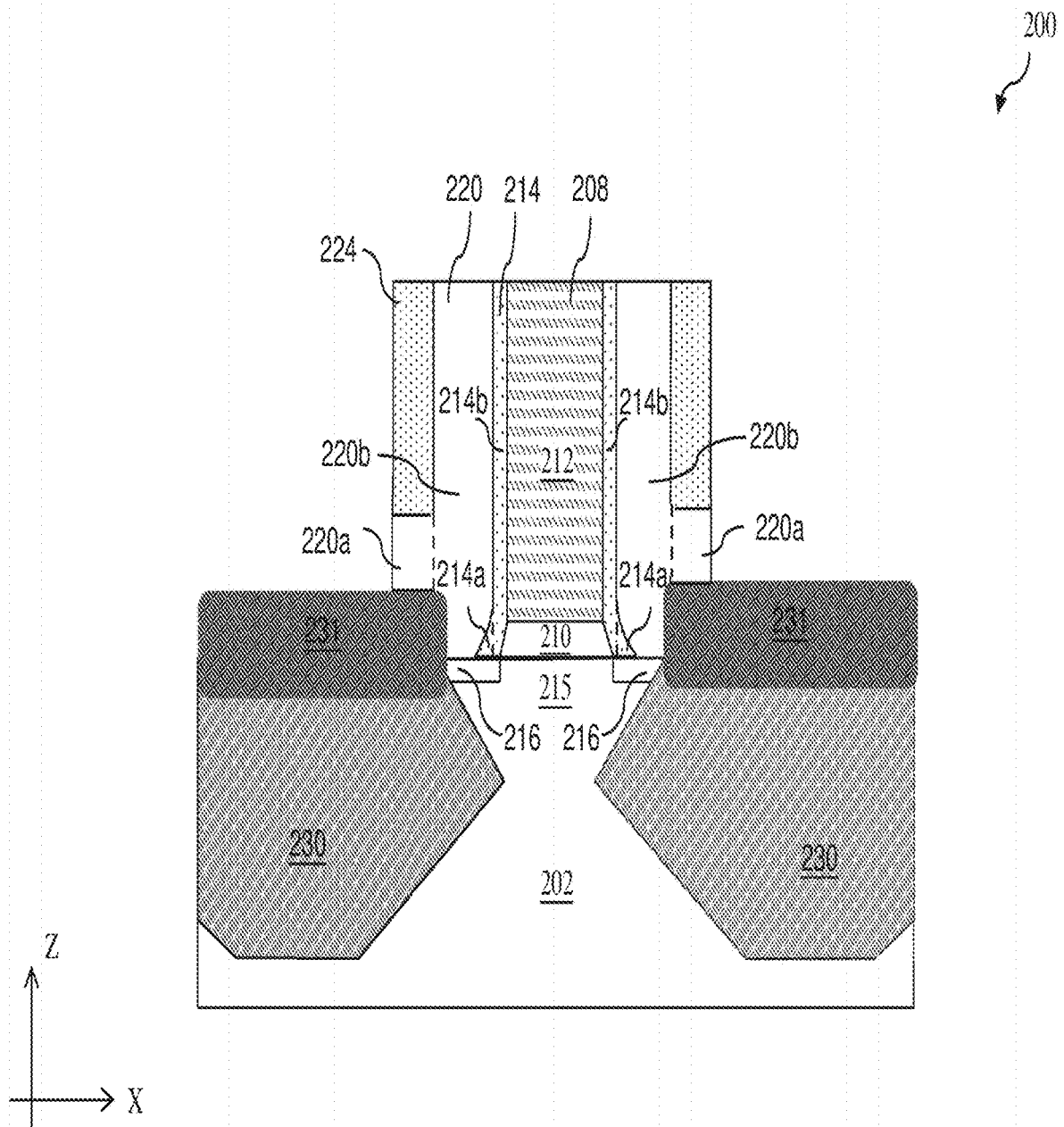


FIG. 9

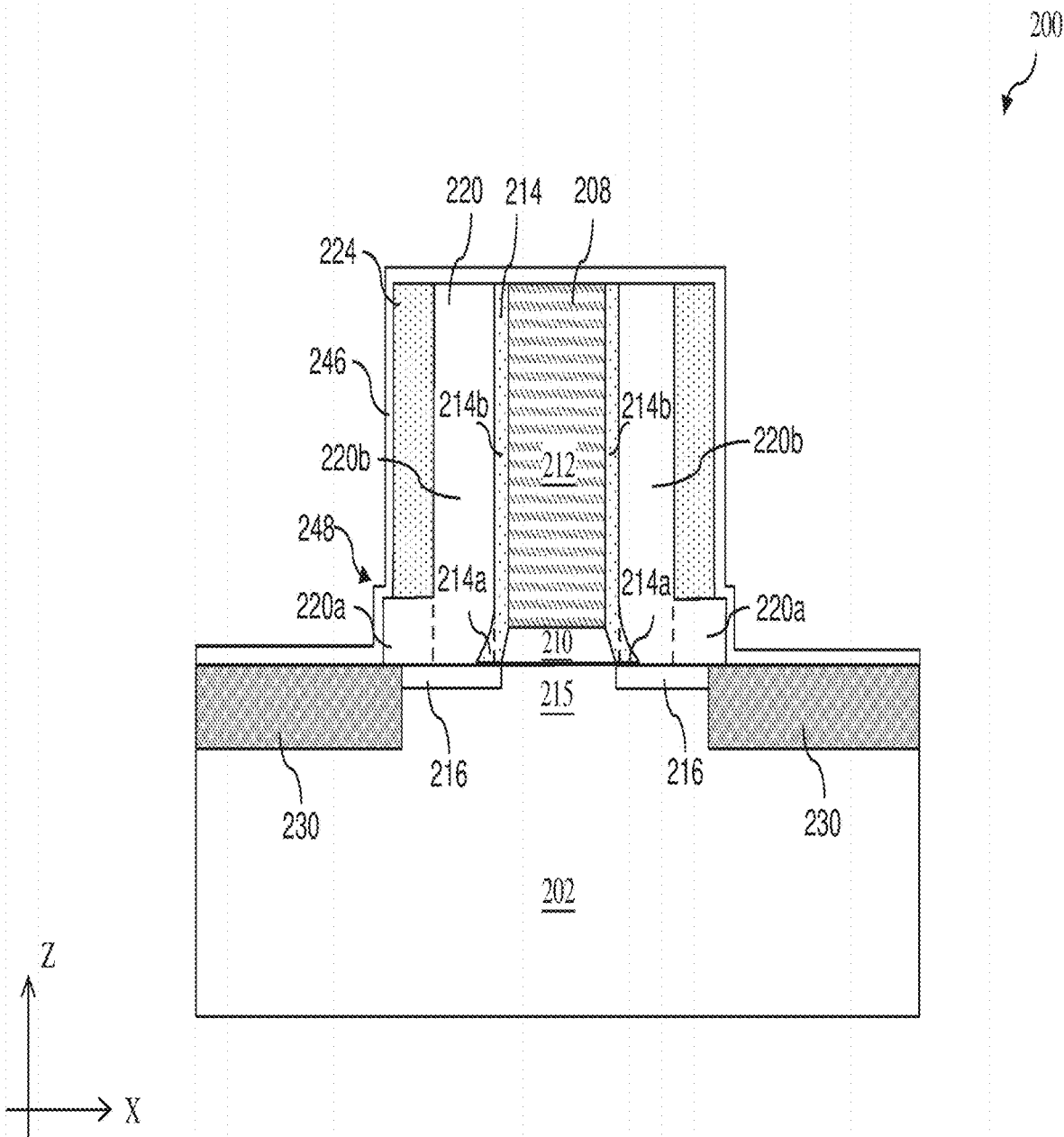


FIG. 10

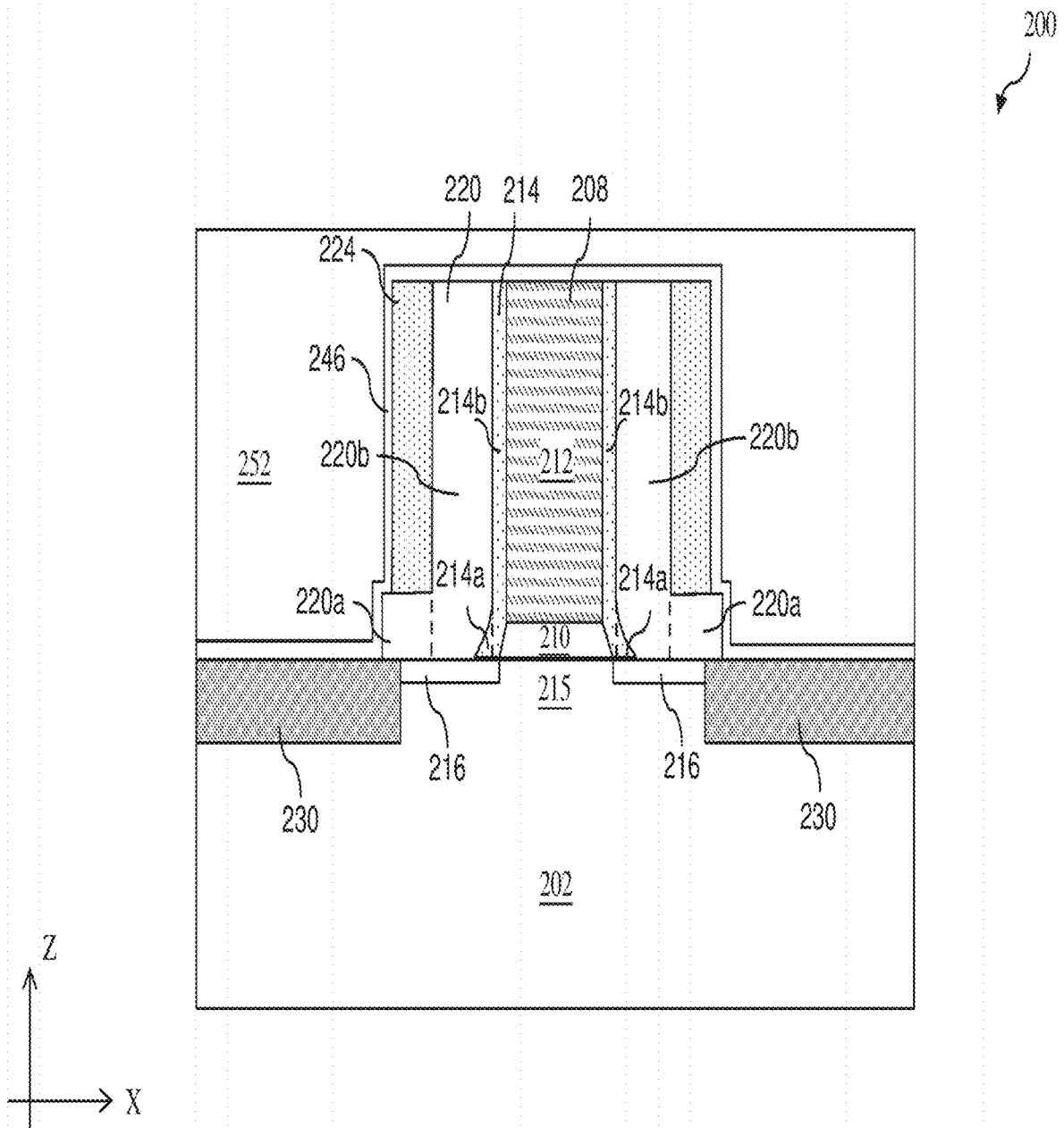


FIG. 11

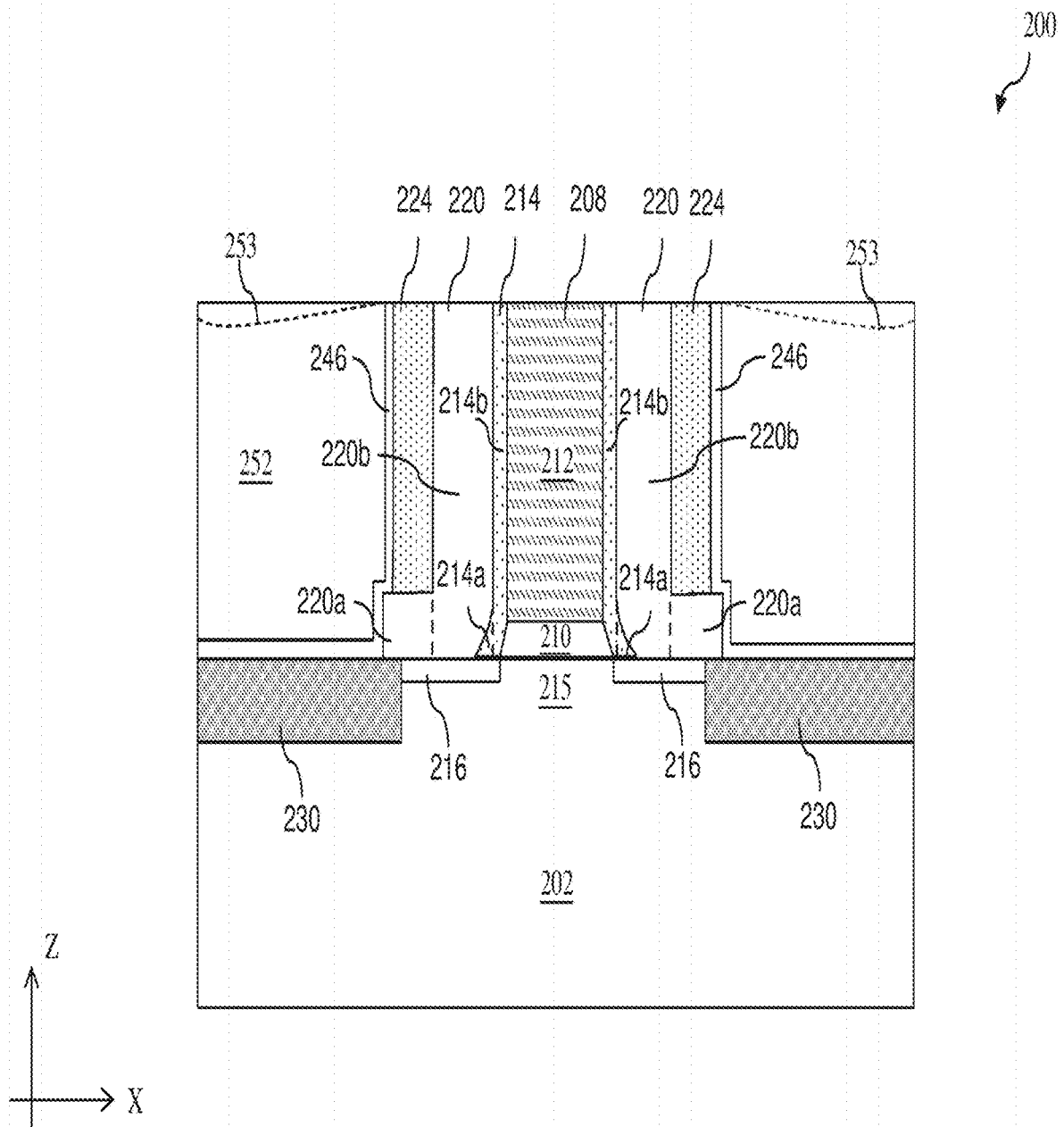


FIG. 12

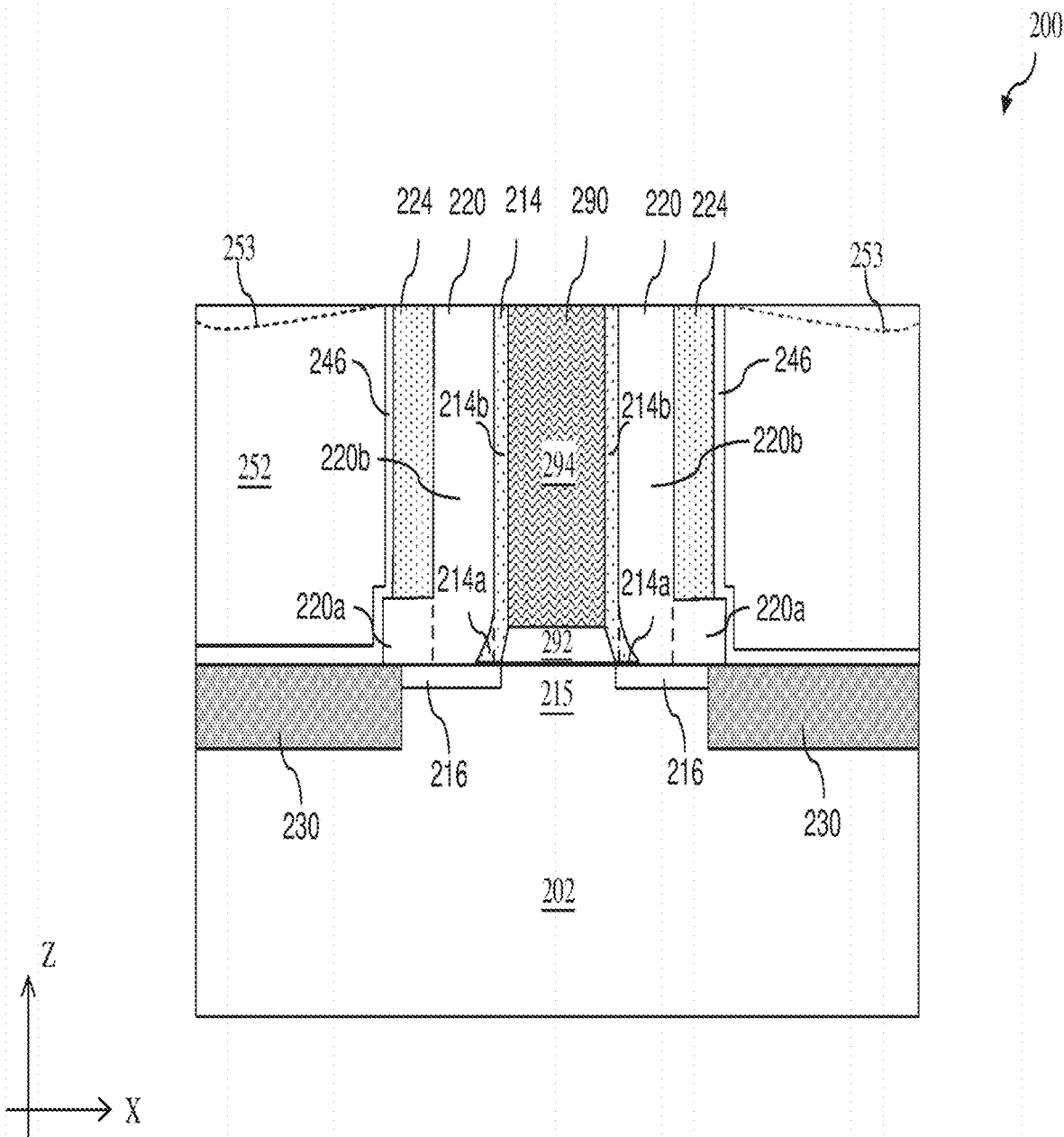


FIG. 13



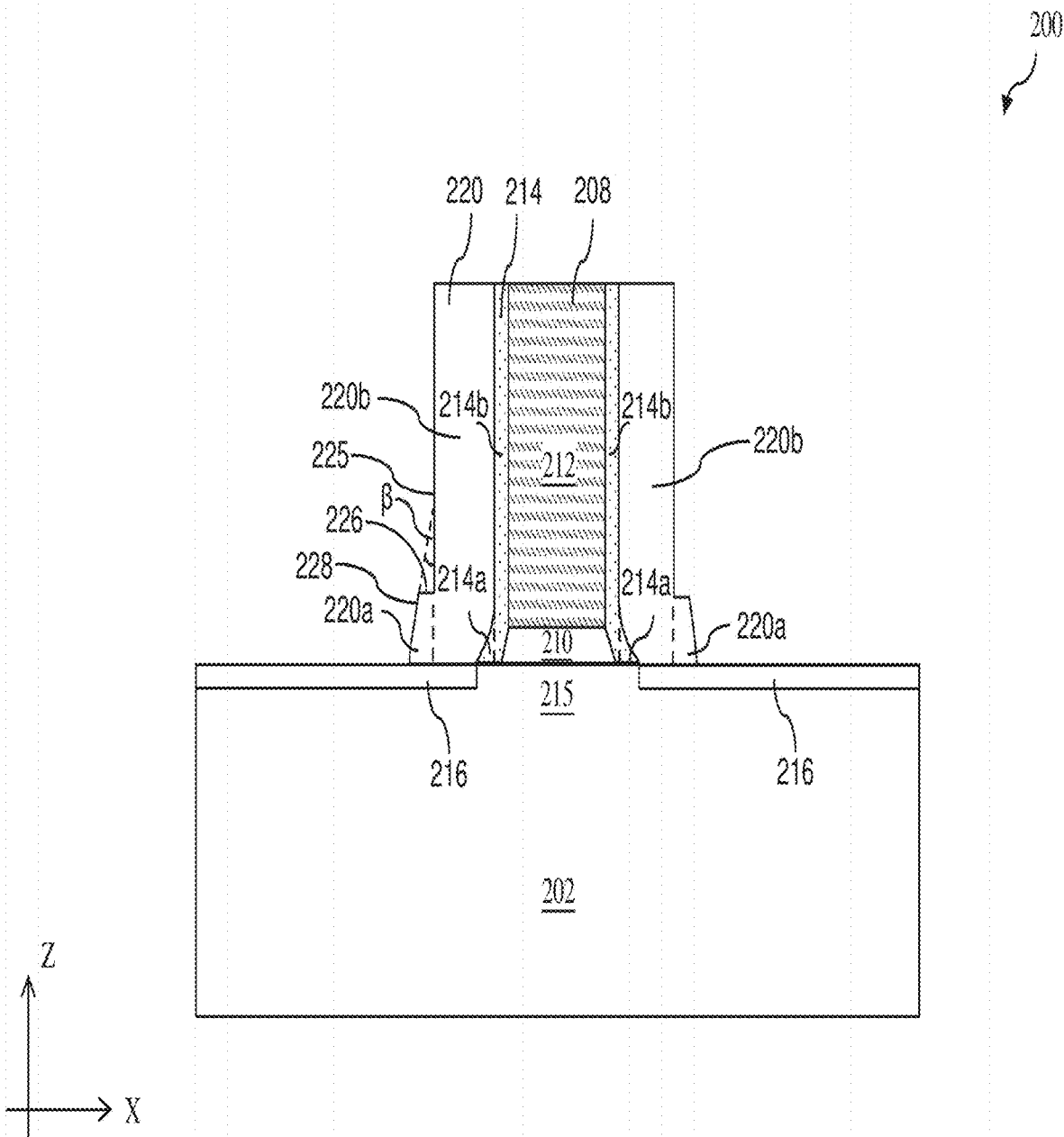


FIG. 14

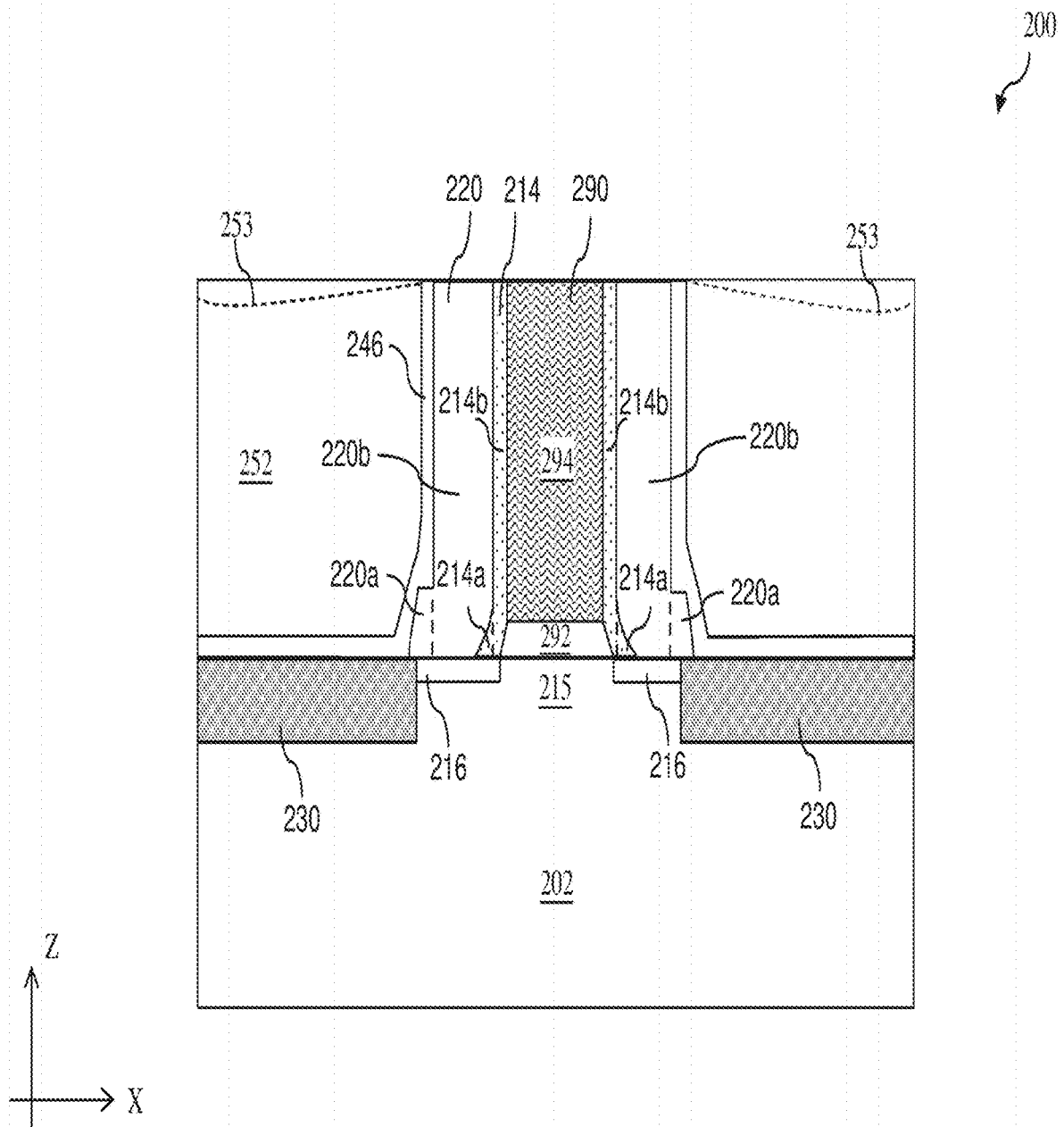


FIG. 15

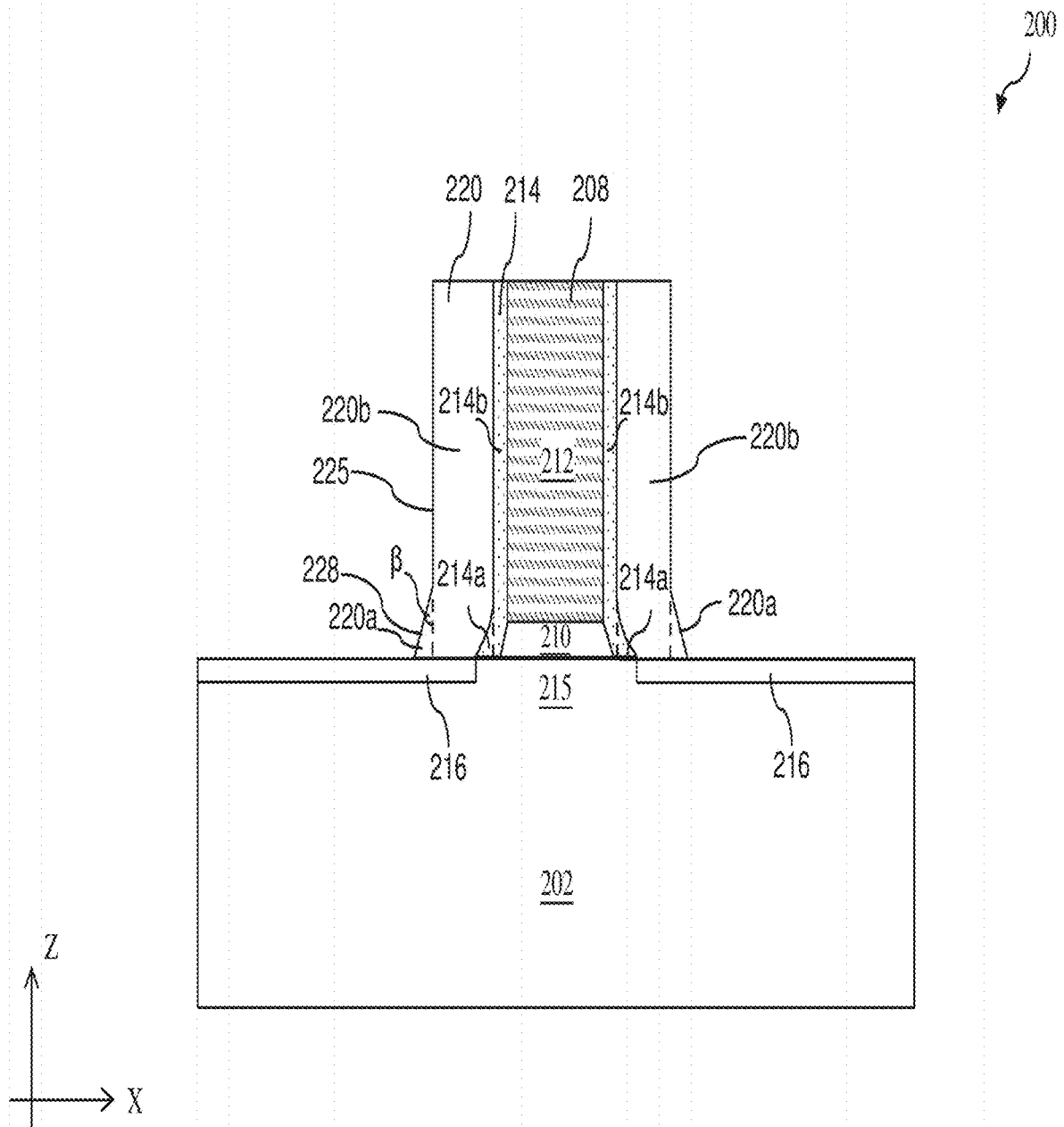


FIG. 16

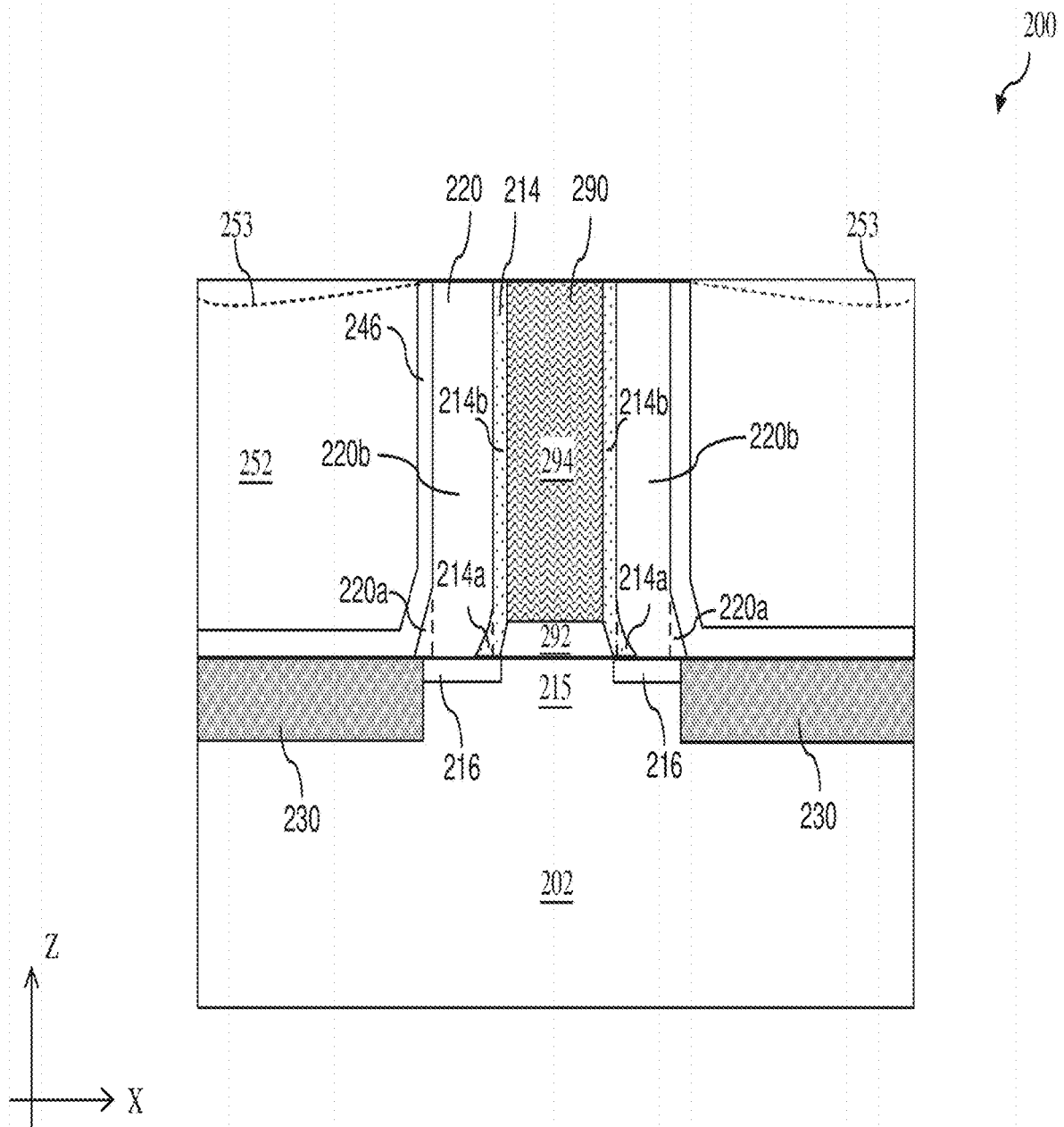


FIG. 17

## SEMICONDUCTOR DEVICE GATE SPACER STRUCTURES AND METHODS THEREOF

### PRIORITY DATA

The present application is a continuation application of U.S. application Ser. No. 16/429,144, filed Jun. 3, 2019, which is a continuation application of U.S. application Ser. No. 15/891,074, filed Feb. 7, 2018, which claims priority to U.S. Provisional Patent Application Ser. No. 62/590,003 entitled "Semiconductor Device Gate Spacer Structures and Methods Thereof," and filed Nov. 22, 2017, each of which is hereby incorporated by reference in its entirety.

### BACKGROUND

The semiconductor integrated circuit (IC) industry has experienced exponential growth. Technological advances in IC materials and design have produced generations of ICs where each generation has smaller and more complex circuits than the previous generation. In the course of IC evolution, functional density (i.e., the number of interconnected devices per chip area) has generally increased while geometry size (i.e., the smallest component (or line) that can be created using a fabrication process) has decreased. This scaling down process generally provides benefits by increasing production efficiency and lowering associated costs. Such scaling down has also increased the complexity of processing and manufacturing ICs and, for these advancements to be realized, similar developments in IC processing and manufacturing are needed.

For example, it is generally desired to reduce stray capacitance among features of field effect transistors, such as capacitance between a gate structure and source/drain contacts, in order to increase switching speed, decrease switching power consumption, and/or decrease coupling noise of the transistors. Certain low-k materials have been suggested as insulator materials surrounding gate structures so as to provide lower dielectric constant (or relative permittivity) and reduce stray capacitance. However, as semiconductor technology progresses to smaller geometries, the distances between the gate structure and source/drain contacts are further reduced, resulting in still large stray capacitance. Therefore, although existing approaches in transistor formation have been generally adequate for their intended purposes, they have not been entirely satisfactory in all respects.

### BRIEF DESCRIPTION OF THE DRAWINGS

Aspects of the present disclosure are best understood from the following detailed description when read with the accompanying figures. It is emphasized that, in accordance with the standard practice in the industry, various features are not drawn to scale. In fact, the dimensions of the various features may be arbitrarily increased or reduced for clarity of discussion.

FIGS. 1A, 1B, and 1C show a flow chart of a method of forming a semiconductor device according to various aspects of the present disclosure.

FIGS. 2, 3, 4, 5, 6, 7, 8, 9, 10, 11, 12, 13, 14, 15, 16, and 17 are cross-sectional views of a portion of a semiconductor device during a fabrication process according to the method of FIGS. 1A, 1B, and 1C, in accordance with some embodiments.

### DETAILED DESCRIPTION

The following disclosure provides many different embodiments, or examples, for implementing different fea-

tures of the provided subject matter. Specific examples of components and arrangements are described below to simplify the present disclosure. These are, of course, merely examples and are not intended to be limiting. For example, the formation of a first feature over or on a second feature in the description that follows may include embodiments in which the first and second features are formed in direct contact, and may also include embodiments in which additional features may be formed between the first and second features, such that the first and second features may not be in direct contact. In addition, the present disclosure may repeat reference numerals and/or letters in the various examples. This repetition is for the purpose of simplicity and clarity and does not in itself dictate a relationship between the various embodiments and/or configurations discussed.

Further, spatially relative terms, such as "beneath," "below," "lower," "above," "upper" and the like, may be used herein for ease of description to describe one element or feature's relationship to another element(s) or feature(s) as illustrated in the figures. The spatially relative terms are intended to encompass different orientations of the device in use or operation in addition to the orientation depicted in the figures. The apparatus may be otherwise oriented (rotated 90 degrees or at other orientations) and the spatially relative descriptors used herein may likewise be interpreted accordingly.

The present disclosure is generally related to semiconductor devices and methods of forming the same. More particularly, the present disclosure is related to providing low-k gate spacer structures and methods thereof for lowering stray capacitance between a gate structure and source/drain contacts of field effect transistors (FETs) in semiconductor manufacturing. When forming FETs, it is desired to increase switching speed, decrease switching power consumption, and decrease coupling noise. Stray capacitance generally has a negative impact on these parameters, especially by the stray capacitance between a gate structure and source/drain contacts. As semiconductor technology progresses to smaller geometries, the distances between the gate and source/drain contacts shrink, resulting in larger stray capacitance. Consequently, stray capacitance in FETs has become more problematic. The present disclosure provides solutions in forming low-k gate spacer structures surrounding gate stacks, such as poly gates or metal gates. Compared with gate spacers conventionally made of silicon nitride (e.g.,  $\text{Si}_3\text{N}_4$ ), the low-k gate spacer structures lower the dielectric constant (or relative permittivity) between the gate stack and source/drain contacts, thereby lowering the stray capacitance thereof. Furthermore, the low-k gate spacer structures help decrease interface stress between gate stacks and source/drain regions and therefore improve channel carrier mobility.

FIGS. 1A, 1B, and 1C illustrate a flow chart of a method **100** for forming semiconductor devices according to the present disclosure. The method **100** is an example, and is not intended to limit the present disclosure beyond what is explicitly recited in the claims. Additional operations can be provided before, during, and after the method **100**, and some operations described can be replaced, eliminated, or relocated for additional embodiments of the method. The method **100** is described below in conjunction with FIGS. 2-16, which illustrate cross-sectional views of a semiconductor device **200** during various fabrication steps according to some embodiments of the method **100**.

The device **200** may be an intermediate device fabricated during processing of an integrated circuit (IC), or a portion thereof, that may comprise static random access memory

(SRAM) and/or logic circuits, passive components such as resistors, capacitors, and inductors, and active components such as p-type FETs (pFETs), n-type FETs (nFETs), FinFETs, metal-oxide semiconductor field effect transistors (MOSFET), and complementary metal-oxide semiconductor (CMOS) transistors, bipolar transistors, high voltage transistors, high frequency transistors, other memory cells, and combinations thereof. Furthermore, the various features including transistors, gate stacks, active regions, isolation structures, and other features in various embodiments of the present disclosure are provided for simplification and ease of understanding and do not necessarily limit the embodiments to any types of devices, any number of devices, any number of regions, or any configuration of structures or regions.

At operation 102, the method 100 (FIG. 1A) provides a device structure 200 (FIG. 2). For the convenience of discussion, the device structure 200 is also referred to as the device 200. The device 200 may include a substrate 202 and various features formed therein or thereon. The substrate 202 is a silicon substrate in the illustrated embodiment. Alternatively, the substrate 202 may comprise another elementary semiconductor, such as germanium; a compound semiconductor including silicon carbide, gallium arsenide, gallium phosphide, indium phosphide, indium arsenide, and/or indium antimonide; an alloy semiconductor including SiGe, GaAsP, AlInAs, AlGaAs, GaInAs, GaInP, and/or GaInAsP; or combinations thereof. In yet another alternative, the substrate 202 is a semiconductor on insulator (SOI). In some embodiments, the substrate 202 includes fin-like semiconductor regions ("fins") for forming FinFETs. The fins may be patterned by any suitable method. For example, the fins may be patterned using one or more photolithography processes, including double-patterning or multi-patterning processes. Generally, double-patterning or multi-patterning processes combine photolithography and self-aligned processes, allowing patterns to be created that have, for example, pitches smaller than what is otherwise obtainable using a single, direct photolithography process. For example, in one embodiment, a sacrificial layer is formed over the substrate 202 and patterned using a photolithography process. Spacers are formed alongside the patterned sacrificial layer using a self-aligned process. The sacrificial layer is then removed, and the remaining spacers, or mandrels, may then be used to pattern the substrate 202 to form the fins. The fins may include one or more layers of epitaxially grown semiconductor materials in some embodiments.

In some embodiments, the substrate 202 includes an insulator (or an isolation structure) that may be formed of silicon oxide, silicon nitride, silicon oxynitride, fluoride-doped silicate glass (FSG), a low-k dielectric material, and/or other suitable insulating material. The insulator may be shallow trench isolation (STI) features. In an embodiment, the insulator is formed by etching trenches in the substrate 202 (for example, as part of the fin formation process discussed above), filling the trenches with an insulating material, and performing a chemical mechanical planarization (CMP) process to the substrate 202 including the insulating material. The substrate 202 may include other isolation structure(s) such as field oxide and Local Oxidation of Silicon (LOCOS). The substrate 202 may include a multi-layer isolation structure.

At operation 104, the method 100 (FIG. 1A) forms a gate stack 208 over the substrate 202 (FIG. 2). In various embodiments, the gate stack 208 is a multi-layer structure. In some embodiments, the gate stack 208 is a polysilicon gate structure, including an interfacial layer 210 having

silicon oxide or silicon oxynitride and an electrode layer 212 having polysilicon. Accordingly, in some embodiments, forming the gate stack 208 includes depositing the interfacial layer 210 over the substrate 202 by chemical oxidation, thermal oxidation, atomic layer deposition (ALD), chemical vapor deposition (CVD), or other suitable methods; depositing the electrode layer 212 over the interfacial layer 210 by low pressure chemical vapor deposition (LPCVD), or other suitable methods; and subsequently patterning the interfacial layer 210 and the electrode layer 212 in a lithographic process to form the gate stack 208. The gate stack 208 defines a channel region 215 thereunder in the substrate 202 or in a fin of the substrate 202. In the illustrated embodiment, the channel region 215 has a channel length D, ranging from about 5 nm to about 180 nm.

In a particular embodiment, the method 100 includes a replacement gate process which will be further described in details later. In the replacement gate process, the gate stack 208 is a temporary gate structure. The interfacial layer 210 may be a temporary interfacial layer having silicon oxide or silicon oxynitride, and the electrode layer 212 may be a temporary electrode layer having polysilicon.

Operation 104 may further include forming a seal spacer layer 214 covering the device 200. In the illustrated embodiment, the seal spacer layer 214 is deposited as a blanket layer over top and sidewalls of the gate stack 208 and over a top surface of the substrate 202. To further the illustrated embodiment, the seal spacer layer 214 includes silicon nitride (e.g., Si<sub>3</sub>N<sub>4</sub>), and may be deposited using plasma-enhanced chemical vapor deposition (PECVD), LPCVD, ALD, or other suitable methods. The seal spacer layer 214 may be deposited to a thickness of about 0.5 nm to about 10 nm, such as about 3 nm.

At operation 106, the method 100 (FIG. 2A) applies an anisotropic etching process to the seal spacer layer 214 (FIG. 3). The anisotropic etching process is designed to selectively etch the seal spacer layer 214 but does not etch the substrate 202. The operation 106 removes portions of the seal spacer layer 214 from the top surface of the substrate 202, thereby exposing the top surface of the substrate 202. The portion of the seal spacer layer 214 on the sidewalls of the gate stack 208 remains substantially un-etched due to the highly directional etching. Further, the top surface of the gate stack 208 may or may not be exposed by this anisotropic etching process. In an embodiment where the seal spacer layer 214 includes silicon nitride, operation 106 may employ a remote O<sub>2</sub>/N<sub>2</sub> discharge with a fluorine-containing gas such as CF<sub>4</sub>, NF<sub>3</sub>, or SF<sub>6</sub>, and may additionally include hydrogen (H<sub>2</sub>) or CH<sub>4</sub>. Various other methods of selectively etching the seal spacer layer 214 are possible. The patterned seal spacer layer 214 can be denoted as the seal spacer 214 for the sake of simplicity. In a particular embodiment, the seal spacer 214 is conformal to the sidewall of the gate stack 208 and has a tapering profile close to the bottom of the gate stack 208. Thus, the seal spacer 214 may be considered as including a horizontal portion 214a due to the tapering profile and a vertical portion 214b. The horizontal portion 214a connects to the bottom of the vertical portion 214b and extends laterally in a direction away from the gate stack 208. The horizontal portion 214a may have a width (along the X axis) of about 0.5 nm to about 5 nm, such as about 3 nm.

At operation 108, the method 100 (FIG. 1A) forms lightly doped source/drain (LDD) regions 216 in the substrate 202 by performing ion implantation process 218 (FIG. 4). The ion implantation process 218 may utilize n-type dopants, such as phosphorus (P) or arsenic (As), for the nFETs, or p-type dopants, such as boron (B) or indium (In), for the

PFETs. The LDD regions **216** are self-aligned with the gate stack **208** and the seal spacer **214**. A mask layer (not shown) may be used to cover other regions of the substrate **202** when the LDD regions **216** are subject to the ion implantation process **218**. In some embodiments, the mask layer is a patterned photoresist. In some embodiments, the mask layer is a patterned hard mask of a material, such as silicon oxide, silicon nitride, silicon oxynitride or a combination thereof. The mask layer is removed after the LDD implantation has completed in the LDD regions **216**. In the embodiment depicted in FIG. 4, operation **108** is performed after operation **106**. In an alternative embodiment, operation **108** is performed before operation **106**.

At operation **110**, the method **100** (FIG. 1A) forms a gate spacer layer **220** covering the device **200** (FIG. 5). In the illustrated embodiment, the gate spacer layer **220** is deposited as a blanket layer over sidewalls of the seal spacer **214**, over top of the gate stack **208**, and over the top surface of the substrate **202**. In some devices, silicon nitride has been used as a material for gate spacers in semiconductor manufacturing. However, silicon nitride has a relatively high dielectric constant that is usually within a range of 6.8-8.3, such as about 7.5, which leads to a high stray capacitance between a gate stack and source/drain contacts and/or other FET features in some instances. To decrease stray capacitance, there is a need to use materials with relatively low dielectric constants, other than silicon nitride, for gate spacers. In one embodiment, the gate spacer layer **220** includes silicon oxide (e.g., SiO<sub>2</sub>). Silicon oxide has a lower dielectric constant than silicon nitride, which is usually within a range of 3.4-4.2, such as about 3.9. In some embodiments, the deposition of the gate spacer layer **220** includes introducing a silicon-containing compound and an oxygen-containing compound that react to form a dielectric material. The gate spacer layer **220** may include undoped silicate glass (USG), fluoride-doped silicate glass (FSG), phosphosilicate glass (PSG), or borophosphosilicate glass (BPSG). In another embodiment, the gate spacer layer **220** includes germanium oxide (e.g., GeO<sub>2</sub>). The gate spacer layer **220** may be formed by any suitable technique including PECVD, LPCVD, and ALD. In the illustrated embodiment, the gate spacer layer **220** includes silicon dioxide and is deposited by a conformal deposition technique, such as an ALD process. The gate spacer layer **220** may be deposited to a thickness T<sub>1</sub> that is in a ratio of about 10% to about 70% of the channel region **215**'s length D. In some embodiments, the thickness T<sub>1</sub> is within a range of about 3 nm to about 20 nm, such as about 5 nm.

At operation **112**, the method **100** (FIG. 1A) forms a hard mask layer **224** covering the gate spacer layer **220** (FIG. 6). The hard mask layer **224** may include a dielectric material such as silicon nitride, silicon oxide, silicon oxynitride, silicon carbonitride, silicon carbon oxynitride, other dielectric materials, or combination thereof. The composition of the hard mask layer **224** is selected such that the hard mask layer **224** has some etch selectivity with respect to the gate spacer layer **220**. In some embodiments, the hard mask layer **224** includes silicon nitride (e.g., Si<sub>3</sub>N<sub>4</sub>). The hard mask layer **224** may be formed by any suitable technique including PECVD, LPCVD, and ALD. In the illustrated embodiment, the hard mask layer **224** is deposited by an LPCVD process. The hard mask layer **224** may be deposited to a thickness T<sub>2</sub> in a ratio of about 10% to about 70% of the channel region **215**'s length D. In some embodiments, the thickness T<sub>2</sub> is within a range of about 3 nm to about 20 nm, such as about 4 nm. In some embodiments, the hard mask

layer **224** is thinner than the gate spacer layer **220** (T<sub>2</sub><T<sub>1</sub>), such as thinner by up to 1 nm.

At operation **114**, the method **100** (FIG. 1A) applies an etching process to the hard mask layer **224** and the gate spacer layer **220** (FIG. 7). The etching process includes an anisotropic etching in an embodiment. A portion of the hard mask layer **224** on the sidewalls of the gate spacer layer **220** remains substantially un-etched due to the highly directional etching, as shown in FIG. 7. In an embodiment where the hard mask layer **224** includes silicon nitride, operation **114** may employ a remote O<sub>2</sub>/N<sub>2</sub> discharge with a fluorine-containing gas such as CF<sub>4</sub>, NF<sub>3</sub>, or SF<sub>6</sub>, and may additionally include hydrogen (H<sub>2</sub>) or CH<sub>4</sub>. The anisotropic etching may further etch the gate spacer layer **220** exposed after the removal of portions of the hard mask layer **224**. Alternatively, the etching process may include multiple etching steps with different etching chemistries, such as an anisotropic etching targeting a particular material of the hard mask layer **224** and subsequently a wet etching or dry etching targeting the gate spacer layer **220** using the un-etched hard mask layer **224** as an etching mask. The top surface of the gate stack **208** may or may not be exposed by this etching process.

Still referring to FIG. 7, the patterned gate spacer layer **220** can be denoted as the gate spacer **220** for the sake of simplicity, while the patterned hard mask layer **224** can be denoted as the hard mask **224**. The gate spacer **220** includes a horizontal portion **220a** that is directly under the hard mask **224** and a vertical portion **220b** that covers sidewalls of the seal spacer **214**. The vertical portion **220b** includes a sidewall **225**. The sidewall **225** is covered by the hard mask **224**. In some embodiments, the sidewall **225** is substantially perpendicular (i.e., along the Z axis) to the top surface of the substrate **202**. The horizontal portion **220a** includes a top surface **226** and a sidewall **228**. The sidewall **228** may be substantially perpendicular (i.e., along the Z axis) to the top surface of the substrate **202**. The sidewall **225**, the top surface **226**, and the sidewall **228** form a step profile. The hard mask **224** is disposed directly above the top surface **226**. In one embodiment, the hard mask **224** fully covers the top surface **226**. In another embodiment, the hard mask **224** is thinner than the width W<sub>1</sub> of the horizontal portion **220a** (T<sub>2</sub><W<sub>1</sub>), such as due to higher sidewall etching loss of the hard mask **224** during operation **114**. Therefore, a portion of the top surface **226** adjacent to the sidewall **228** is exposed, and may have a width about 0.5 nm to about 2 nm along the X axis. The top surface **226** intersects the sidewall **225**, forming an angle Θ between the top surface **226** and the sidewall **225**. In some embodiments, the angle Θ is within a range of about 85 degrees to about 95 degrees and the top surface **226** can be considered as substantially perpendicular to the sidewall **225**. In various embodiments, the height H<sub>1</sub> of the horizontal portion **220a** is in a ratio of about 10% to about 70% of the channel region **215**'s length D. In a particular embodiment, the height H<sub>1</sub> is the same as the thickness T<sub>1</sub> of the vertical portion **220b** (H<sub>1</sub>=T<sub>1</sub>). In one embodiment, the height H<sub>1</sub> is different from the thickness T<sub>1</sub> of the vertical portion **220b** (H<sub>1</sub>≠T<sub>1</sub>), such as H<sub>1</sub> is 1 nm less or more than the thickness T<sub>1</sub>. A topmost point of the horizontal portion **220a** may be higher than a topmost point of the horizontal portion **214a** of the seal spacer **214**.

At operation **118**, the method **100** (FIG. 1B) forms heavily doped source/drain (HDD) regions **230** in the substrate **202** (FIG. 8). The HDD regions **230** may be n-type doped regions and/or p-type doped regions for forming active devices. The HDD regions **230** and the LDD regions **216** are collectively regarded as source/drain (S/D) regions. The

HDD regions **230** are more heavily doped than the LDD regions **216**. The HDD regions **230** may be formed by performing ion implantation process **232**. The ion implantation process **232** may utilize n-type dopants, such as phosphorus (P) or arsenic (As), for the NFETs, or p-type dopants, such as boron (B) or indium (In), for the PFETs. The HDD regions **230** are self-aligned with the gate stack **208** and the gate spacer **220**. A mask layer (not shown) may be used to cover other regions of the substrate **202** when the HDD regions **230** are subject to the ion implantation process **232**. In some embodiments, the mask layer is a patterned photoresist. In some embodiments, the mask layer is a patterned hard mask of a material, such as silicon oxide, silicon nitride, silicon oxynitride or a combination thereof. The mask layer is removed after the HDD implantation has completed in the HDD regions **230**.

The forming of the HDD regions **230** may also include first etching S/D recesses in the substrate **202** followed by epitaxially growing HDD regions **230** in the respective recesses. In some embodiment where the gate stack **208** and the gate spacer **220** are thicker than desired, the HDD regions **230** can be formed to have a substantially diamond-shaped profile, such as the HDD regions **230** in FIG. 9. Referring to FIG. 9, some sidewalls of the HDD regions **230** are extended towards the gate stack **208** underneath the gate spacer **220**, such as under the vertical portion **220b**. In one example, the HDD regions **230** are further extended under the horizontal portion **214a** of the seal spacer **214**, but not under its vertical portion **214b**. In another example, the HDD regions **230** are further extended under the gate stack **208**. In one example, the S/D recesses are formed with an etching process that includes both a dry etching and a wet etching process where etching parameters thereof are tuned (such as etchants used, etching temperature, etching solution concentration, etching pressure, source power, radio frequency (RF) bias voltage, RF bias power, etchant flow rate, and other suitable parameters) to achieve the desired recess profile. The HDD regions **230** may include a silicide portion **231** on the top surface. Parts of the silicide portion **231** may be covered by the horizontal portion **220a** and/or vertical portion **220b** of the gate spacer **220**. Due to the elevated height of the silicide portion **231**, a bottom surface of the horizontal portion **220a** may be higher than a bottom surface of the vertical portion **220b**. For the convenience of discussion, the device **200** with the HDD regions in a shape as shown in FIG. 8 is used as an example for subsequent operations. Persons having ordinary skill in the art should recognize that the device **200** with the HDD regions in a shape as shown in FIG. 9 can also be used for the subsequent operations.

Referring back to FIG. 8, in an embodiment, the HDD regions **230** further include silicidation or germanosilicidation (not shown). For example, silicidation may be formed by a process that includes depositing a metal layer, annealing the metal layer such that the metal layer reacts with silicon to form silicide, and then removing the non-reacted metal layer. Operation **118** may further include one or more annealing processes to activate the S/D regions. After the activation, the LDD regions **216** may be extended towards the gate stack **208** underneath the seal spacer **214**, and the HDD regions **230** may be extended partially underneath the horizontal portion **220a** of the gate spacer **220**. In other words, the seal spacer **214** and the vertical portion **214b** of the gate spacer **220** may be in physical contact with the LDD regions **216**, and the horizontal portion **220a** of the gate spacer **220** may be in physical contact with both the LDD regions **216** and the HDD regions **230**. The low dielectric

constant of the material composition of the gate spacer **220** also helps decrease interface stress between the gate stack and source/drain regions and therefore improve channel carrier mobility. In an embodiment, the device **200** includes fin-like active regions for forming multi-gate FETs such as FinFETs. To further this embodiment, the S/D regions and the channel region **215** may be formed in or on the fins. The channel region **215** is under the gate stack **208** and interposed between a pair of LDD regions **216**. The channel region **215** conducts currents between the respective S/D regions when the semiconductor device **200** turns on, such as by biasing the gate electrode layer **212**.

At operation **120**, the method **100** (FIG. 1B) forms a contact etch stop (CES) layer **246** covering the device **200** (FIG. 10). In the illustrated embodiment, the CES layer **246** is deposited as a blanket layer over the sidewalls and top of the gate spacer **220**, the hard mask **224**, the seal spacer **214**, the gate stack **208**, and over the top surface of the HDD regions **230**. The CES layer **246** may include a dielectric material such as silicon nitride, silicon oxide, silicon oxynitride, silicon carbonitride, silicon carbon oxynitride, other dielectric materials, or combination thereof. The CES layer **246** may be formed by a plasma-enhanced CVD (PECVD) process and/or other suitable deposition or oxidation processes. In the illustrated embodiment, the hard mask **224** and the CES layer **246** both include silicon nitride (e.g., Si<sub>3</sub>N<sub>4</sub>), while the hard mask **224** is formed by LPCVD and the CES layer **246** is formed by PECVD, therefore the silicon nitride material has different crystalline structure (e.g., different lattice constants) in the hard mask **224** and the CES layer **246**. In one particular embodiment, the CES layer **246** has a step profile **248** along its vertical sidewall, due to the sidewall profile of the horizontal portion **220a** and the hard mask **224** underneath the CES layer **246**.

At operation **122**, the method **100** (FIG. 1B) forms an inter-layer dielectric (ILD) layer **252** over the CES layer **246** (FIG. 11). The ILD layer **252** may include materials such as silicon oxide, doped silicon oxide such as borophosphosilicate glass (BPSG), tetraethylorthosilicate (TEOS) oxide, un-doped silicate glass, fused silica glass (FSG), phosphosilicate glass (PSG), boron doped silicon glass (BSG), low-k dielectric material, and/or other suitable dielectric materials. The ILD layer **252** may be deposited by a PECVD process, a flowable CVD (FCVD) process, or other suitable deposition technique. The composition of the CES layer **246** and the ILD layer **252** are selected such that the CES layer **246** has some etch selectivity with respect to the ILD layer **252**.

At operation **124**, the method **100** (FIG. 1B) performs one or more chemical mechanical planarization (CMP) processes to polish the ILD layer **252** and to expose the gate stack **208** (FIG. 12). In some embodiments, the ILD layer **252** have higher surface loss during planarization compared to the gate stack **208**, such as due to relatively lower material density, and the top surface of the ILD layer **252** has a concave profile, as illustrated by the dotted line **253**. A bottommost portion of the top surface of the ILD layer **252** may be lower than the top surface of the gate stack **208** in a range within about 0.1 nm to about 25 nm.

At operation **126**, the method **100** (FIG. 1B) proceeds to further processes in order to complete the fabrication of the device **200**. For example, the method **100** may form metal gate stack in a replacement gate process.

In the replacement gate process, the gate stack **208** is a temporary gate structure. The temporary gate structure may be formed by deposition and etching processes. Subsequently, operation **126** removes the temporary gate structure to form a gate trench (not shown) between the seal spacer



**214** and deposits a high-k metal gate stack **290** in the gate trench (FIG. 13). The high-k metal gate stack **290** may include a high-k dielectric layer **292** and a conductive layer **294** thereon. The high-k metal gate stack **290** may further include an interfacial layer (e.g., SiO<sub>2</sub>) (not shown) between the high-k dielectric layer **292** and the channel region **215**. The interfacial layer may be formed using chemical oxidation, thermal oxidation, ALD, CVD, and/or other suitable methods.

The high-k dielectric layer **292** may include one or more high-k dielectric materials (or one or more layers of high-k dielectric materials), such as hafnium silicon oxide (HfSiO), hafnium oxide (HfO<sub>2</sub>), alumina (Al<sub>2</sub>O<sub>3</sub>), zirconium oxide (ZrO<sub>2</sub>), lanthanum oxide (La<sub>2</sub>O<sub>3</sub>), titanium oxide (TiO<sub>2</sub>), yttrium oxide (Y<sub>2</sub>O<sub>3</sub>), strontium titanate (SrTiO<sub>3</sub>), or a combination thereof. The high-k dielectric layer **292** may be deposited using CVD, ALD and/or other suitable methods.

The conductive layer **294** may include one or more metal layers, such as work function metal layer(s), conductive barrier layer(s), and metal fill layer(s). The work function metal layer may be a p-type or an n-type work function layer depending on the type (p-type or n-type) of the transistor. The p-type work function layer comprises a metal selected from but not restricted to the group of titanium nitride (TiN), tantalum nitride (Ta<sub>2</sub>N), ruthenium (Ru), molybdenum (Mo), tungsten (W), platinum (Pt), or combinations thereof. The n-type work function layer comprises a metal selected from but not restricted to the group of titanium (Ti), aluminum (Al), tantalum carbide (TaC), tantalum carbide nitride (TaCN), tantalum silicon nitride (TaSiN), titanium silicon nitride (TiSiN), or combinations thereof. The metal fill layer may include aluminum (Al), tungsten (W), cobalt (Co), and/or other suitable materials. The conductive layer **294** may be deposited using methods such as CVD, PVD, plating, and/or other suitable processes.

Operation **126** may include other processes in order to complete the fabrication of the device **200**. For example, the operation **126** may form S/D contacts (not shown) and form multi-layer interconnect structure that connects the gate stacks and the S/D contacts with other parts of the device **200** to form a complete IC.

The method **100** may have various embodiments. For example, the method **100** may have an optional operation **116** (FIG. 1C) between operations **114** and **118** to remove the hard mask **224** from sidewalls of the gate spacer **220**, as shown in FIG. 14. In the illustrated embodiment, the hard mask **224** includes silicon nitride, which has higher dielectric constant than the material compositions of the gate spacer **220**. By removing the hard mask **224**, the overall dielectric constant of the isolation material between the gate stack **208** and source/drain contacts (not shown) is further reduced, resulting in even lower stray capacitances among FET features.

The removing of the hard mask **224** may include any suitable etching technique such as wet etching, dry etching, RIE, ashing, and/or other etching processes. In some embodiments, etchant is selected such that the hard mask **224** and the gate spacer **220** have a high etch selectivity. For example, the etch selectivity between the hard mask **224** and the gate spacer **220** has a ratio about 5:1 or larger, such as ranging from 5:1 to 20:1. The etching process may also trim the profile of the horizontal portion **220a** of the gate spacer **220**. In one embodiment, the top surface **226** is shortened to a ratio of about 3% to about 30% of the channel region **215**'s length D, such as about 1 nm to about 8 nm (e.g., 2 nm), and the sidewall **228** becomes tapering with an angle  $\beta$  less than 45 degrees with respect to the sidewall **225**, such as about 20

degrees. The method **100** may subsequently proceed to operations **118**, **120**, **122**, **124**, and **126** as described above, to form other features of the device **200**, including forming HDD regions **230** using the trimmed gate spacer **220** as a mask, depositing the CES layer **246** directly above sidewalls of the trimmed gate spacer **220**, and forming the ILD layer **252** on device **200**, as shown in FIG. 15. In another embodiment, operation **116** (FIG. 1C) trims away the top surface **226** of the horizontal portion **220a**, such that the sidewall **228** directly intersects the sidewall **225** with an angle  $\beta$  less than 45 degrees such as about 20 degrees as shown in FIG. 16. The method **100** may subsequently proceed to operations **118**, **120**, **122**, **124**, and **126**, which would not be repeated here for the sake of simplicity, to proceed to form other features of the device **200**, as shown in FIG. 17.

Although not intended to be limiting, one or more embodiments of the present disclosure provide many benefits to a semiconductor device and the formation thereof, including fin-type field effect transistors (FinFETs). For example, the fins may be patterned to produce a relatively close spacing between features, for which the above disclosure is well suited. Gate spacers used in forming fins of FinFETs can be processed according to the above disclosure. For example, embodiments of the present disclosure provide a method of forming low-k gate spacers surrounding the gate stack. The dielectric constant of the isolation materials between the gate stack and source/drain contacts is lowered, which reduces interference, noise, and parasitic coupling capacitance between interconnects. In addition, the low-k gate spacer structures help decrease interface stress between gate stacks and source/drain regions and therefore improve channel carrier mobility. Further, the disclosed methods can be easily integrated into existing semiconductor manufacturing processes.

In one exemplary aspect, the present disclosure is directed to a semiconductor device. In an embodiment, the semiconductor device includes a substrate having a channel region; a gate stack over the channel region; a seal spacer covering a sidewall of the gate stack, the seal spacer including silicon nitride; a gate spacer covering a sidewall of the seal spacer, the gate spacer including silicon oxide, the gate spacer having a first vertical portion and a first horizontal portion; and a first dielectric layer covering a sidewall of the gate spacer, the first dielectric layer including silicon nitride. In an embodiment, the seal spacer includes a second vertical portion and a second horizontal portion; and the first dielectric layer includes a third vertical portion and a third horizontal portion. In an embodiment, each of the first, second, and third horizontal portions is in physical contact with a top surface of the substrate. In an embodiment, the topmost point of the second horizontal portion is lower than a topmost point of the first horizontal portion. In an embodiment, the substrate has a source/drain (S/D) region, the S/D region having a first doped S/D region adjacent to the channel region and a second doped S/D region adjacent to the first doped S/D region, wherein the second doped S/D region is more heavily doped than the first doped S/D region; the first vertical portion is offset from the second doped S/D region and in physical contact with the first doped S/D region; and the first horizontal portion is in physical contact with both the first doped S/D region and the second doped S/D region. In an embodiment, a height of the first horizontal portion is substantially the same as a width of the first vertical portion. In an embodiment, the first vertical portion has a first sidewall, the first sidewall being substantially perpendicular to a top surface of the substrate; and the first horizontal portion has a second sidewall, the second side-

wall intersects the first sidewall at an angle less than 45 degrees. In an embodiment, the first vertical portion has a first sidewall, the first sidewall being substantially perpendicular to a top surface of the substrate; and the first horizontal portion has a second sidewall and a first top surface interposed between the first sidewall and the second sidewall, the first top surface being substantially perpendicular to the first sidewall. In an embodiment, the semiconductor device further includes a second dielectric layer interposed between the gate spacer and the first dielectric layer, the second dielectric layer being above the first horizontal portion, the second dielectric layer and the gate spacer having different material compositions. In an embodiment, the second dielectric layer partially covers the first top surface. In an embodiment, the second sidewall is substantially perpendicular to a top surface of the substrate. In an embodiment, the gate stack includes a polysilicon gate or a metal gate.

In another exemplary aspect, the present disclosure is directed to a semiconductor device. In an embodiment, the semiconductor device includes a substrate having source/drain (S/D) regions with a channel region interposed between the S/D regions; a gate stack over the channel region; a dielectric layer covering sidewalls of the gate stack, the dielectric layer including a nitride; a spacer layer covering sidewalls of the dielectric layer, the spacer layer including an oxide, wherein a sidewall of the spacer layer includes an upper sidewall, a horizontal surface, and an lower sidewall, thereby forming a step profile; and a contact etch stop (CES) layer covering the sidewall of the spacer layer, the CES layer including a nitride. In an embodiment, the upper sidewall intersects the horizontal surface, defining an angle between the upper sidewall and the horizontal surface, the angle being in a range from 85 degrees to 95 degrees. In an embodiment, the semiconductor device of claim further includes a hard mask layer disposed between the spacer layer and the CES layer, a dielectric constant of the hard mask layer being higher than a dielectric constant of the spacer layer. In an embodiment, the S/D regions include a first doped S/D region and a second doped S/D region that is more heavily doped than the first doped S/D region, wherein the upper sidewall is directly above the first doped S/D region, and the lower sidewall is directly above the second doped S/D region. In an embodiment, a thickness of the spacer layer ranges from 10% to 70% of a length of the channel region.

In yet another exemplary aspect, the present disclosure is directed to a method. In an embodiment, the method includes forming a gate structure on a substrate; forming a seal spacer covering the gate structure; forming a gate spacer covering the seal spacer by an atomic layer deposition (ALD) process, the gate spacer having a first vertical portion and a first horizontal portion; forming a hard mask layer covering the gate spacer, the hard mask layer having a second vertical portion and a second horizontal portion; removing the second horizontal portion of the hard mask layer and part of the first horizontal portion of the gate spacer that is under the second horizontal portion of the hard mask layer; and forming a contact etch stop (CES) layer covering the gate spacer. In an embodiment, the method further includes prior to the forming of the CES layer, removing the second vertical portion of the hard mask layer. In an embodiment, the gate spacer has the lowest dielectric constant in the group of the seal spacer, the gate spacer, the hard mask layer, and the CES layer. In an embodiment, the seal spacer includes silicon nitride; the gate spacer includes silicon oxide; and the CES layer includes silicon nitride. In

an embodiment, the method further includes after the forming of the seal spacer and prior to the forming of the gate spacer, forming a first source/drain region by an ion implantation process; and after the removing of the second horizontal portion of the hard mask layer and prior to the forming of the CES layer, forming a second source/drain region adjacent to the first source/drain region, wherein the second source/drain region is more heavily doped than the first source/drain region. In an embodiment, the gate structure is a polysilicon gate structure or a metal gate structure.

The foregoing outlines features of several embodiments so that those of ordinary skill in the art may better understand the aspects of the present disclosure. Those of ordinary skill in the art should appreciate that they may readily use the present disclosure as a basis for designing or modifying other processes and structures for carrying out the same purposes and/or achieving the same advantages of the embodiments introduced herein. Those of ordinary skill in the art should also realize that such equivalent constructions do not depart from the spirit and scope of the present disclosure, and that they may make various changes, substitutions, and alterations herein without departing from the spirit and scope of the present disclosure.

What is claimed is:

1. A device comprising:

a first doped S/D region disposed on a substrate;  
a second doped S/D region interfacing with the first doped S/D region, wherein the second doped S/D region has a different material composition than the first doped S/D region;

a gate stack disposed over the substrate;

a first spacer disposed along a sidewall of the gate stack and formed of a first material;

a second spacer disposed along and interfacing with a sidewall of the first spacer, the second spacer formed of a second material that is different than the first material, the first spacer in physical contact with the first doped S/D region, the second spacer in physical contact with both the first doped S/D region and the second doped S/D region;

a hard mask layer disposed along and interfacing with a sidewall of the second spacer; and

an etch stop layer disposed along and interfacing with a sidewall of the second spacer, the etch stop layer physically contacting a top surface of the second spacer facing away from substrate, and

wherein the second spacer includes a vertical portion extending along a sidewall of the first spacer and a horizontal portion extending away from the vertical portion, the horizontal portion including the top surface facing away from the substrate, the hard mask layer and the etch stop layer physically contacting the top surface of the horizontal portion of the second spacer.

2. The device of claim 1, wherein the first doped S/D region extends to a first depth within the substrate and wherein the second doped S/D region extends to a second depth within the substrate that is different than the first depth.

3. The device of claim 1, wherein the first spacer includes a nitride material and the second spacer includes an oxide material.

4. The device of claim 1, wherein a portion of the second spacer is disposed between the hard mask layer and the first doped S/D region and the second doped S/D region such that the portion of the second spacer prevents the hard mask layer from interfacing with the first doped S/D region and the second doped S/D region.

13

5. The device of claim 1, wherein the gate stack includes a gate dielectric layer and a gate electrode layer disposed over the gate dielectric layer, and

wherein a portion of the gate dielectric layer is disposed under and interfaces with the first spacer.

6. The device of claim 1, wherein the gate stack includes a gate dielectric layer and a gate electrode layer disposed over the gate dielectric layer, and

wherein the gate electrode layer interfaces with the first spacer and the gate dielectric layer is interfaces with the first spacer, and

wherein the gate dielectric has a first width measured in a direction parallel to a top surface of the substrate and the gate electrode layer has a second width measured in the direction parallel to the top surface of the substrate, the first width being greater than the second width.

7. A device comprising:

a first doped S/D feature and a second doped S/D feature disposed in a substrate, the second doped S/D region being formed of a different material composition than the first doped S/D feature,

a gate stack disposed over the substrate;

a first spacer layer disposed along a sidewall of the gate stack, the first spacer layer having a first inner sidewall and an opposing first outer sidewall, the first inner sidewall physically contacting the sidewall of the gate stack, wherein a lower portion of the first inner sidewall tapers away from the gate stack and a lower portion of the first outer sidewall tapers away from the gate stack; and

a second spacer layer disposed along the first spacer layer, the second spacer layer having a second inner sidewall and an opposing second outer sidewall, the second inner sidewall physically contacting the first outer sidewall of the first spacer layer, wherein a lower portion of the second inner sidewall tapers away from the gate stack and a lower portion of the second outer sidewall tapers away from the gate stack.

8. The device of claim 7, wherein the first spacer layer interfaces with the first source/drain feature and the second spacer layer interfaces with the first source/drain feature and the second source/drain feature.

9. The device of claim 7, wherein first source/drain feature includes a lightly doped source/drain feature and second source/drain feature includes a heavily doped source/drain feature.

10. The device of claim 7, further comprising an etch stop layer extending along and interfacing with the second outer sidewall of the second spacer layer.

11. The device of claim 10, further comprising an inter-layer dielectric layer disposed on and interfacing with the etch stop layer.

12. The device of claim 7, wherein the first spacer layer has a first width measured from the first inner sidewall to the first outer sidewall along a plane parallel to a top surface of the substrate, and

wherein the second spacer layer has a second width measured from the second inner sidewall to the second outer sidewall along the plane parallel to the top surface of the substrate, and

14

wherein the second width is greater than the first width.

13. The device of claim 7, wherein the first spacer layer includes silicon nitride and the second spacer layer includes silicon oxide.

14. The device of claim 7, wherein the first doped S/D feature interfaces with the second doped S/D feature.

15. A method comprising:

forming a seal spacer covering a gate structure and a portion of a substrate;

removing a portion of the seal spacer to expose the portion of the substrate, wherein a remaining portion of the seal spacer covering the gate structure has a sidewall facing away from the gate structure, wherein a lower portion of the sidewall of the seal spacer tapers away from the gate structure;

forming a first source/drain feature in the exposed substrate adjacent the remaining portion of the seal spacer; forming a gate spacer layer on the sidewall of the remaining portion of the seal spacer and over the first source/drain feature;

forming a hard mask layer on the gate spacer layer; patterning the hard mask layer and the gate spacer layer such that a portion of the patterned hard mask layer remains disposed on the patterned gate spacer layer; and

removing the portion of the patterned hard mask to expose a sidewall of the patterned gate spacer layer.

16. The method of claim 15, further comprising forming an etch stop layer directly on the sidewall of the patterned gate spacer layer.

17. The method of claim 15, wherein after the removing of the portion of the patterned hard mask to expose the sidewall of the patterned gate spacer layer, the exposed sidewall of the patterned gate spacer layer includes a first portion that is orthogonal to a top surface of the substrate and a second portion that is orthogonal the first portion of the exposed sidewall of the patterned gate spacer layer.

18. The method of claim 15, wherein after the removing of the portion of the patterned hard mask to expose the sidewall of the patterned gate spacer layer, the exposed sidewall of the patterned gate spacer layer includes a first portion that is orthogonal to a top surface of the substrate and a second portion that is nonorthogonal to the first portion of the exposed sidewall of the patterned gate spacer layer.

19. The method of claim 15, further comprising forming a second source/drain feature in the substrate, the second source/drain feature having a different material composition than the first source/drain feature, and

wherein after the removing of the portion of the patterned hard mask to expose the sidewall of the patterned gate spacer layer, the remaining portion of the seal spacer interfaces with the first source/drain feature and the patterned gate spacer layer interfaces with the first sources/drain feature and the second source/drain feature.

20. The device of claim 1, wherein the first spacer has a first width and the vertical portion of the second spacer has a second width that is greater than the first width.

\* \* \* \* \*