



US00D682720S

(12) **United States Design Patent**
Kagan et al.

(10) **Patent No.:** **US D682,720 S**

(45) **Date of Patent:** **** May 21, 2013**

(54) **DIGITAL DISPLAY**

(75) Inventors: **Erran Kagan**, Great Neck, NY (US);
Tibor Banhegyesi, Baldwin, NY (US);
Avi Cohen, Great Neck, NY (US)

(73) Assignee: **Electro Industries/Gauge Tech**,
Westbury, NY (US)

(**) Term: **14 Years**

(21) Appl. No.: **29/410,198**

(22) Filed: **Jan. 5, 2012**

(51) **LOC (9) Cl.** **10-04**

(52) **U.S. Cl.**
USPC **D10/100; D10/99**

(58) **Field of Classification Search** D10/96,
D10/99-100, 102; 324/74, 142; 340/870.02;
702/61, 62; 709/217, 224, 225
See application file for complete search history.

(56) **References Cited**

U.S. PATENT DOCUMENTS

D241,006 S	8/1976	Wallace
D332,923 S	2/1993	Polydoris et al.
D343,786 S	2/1994	Hines et al.
D348,019 S	6/1994	Kocol et al.
D427,533 S	7/2000	Cowan et al.
D429,655 S	8/2000	Cowan et al.
D435,471 S	12/2000	Simbeck et al.
D439,535 S	3/2001	Cowan et al.
D443,541 S	6/2001	Hancock et al.
D455,066 S	4/2002	Kolinen
D458,863 S	6/2002	Harding et al.
D459,259 S	6/2002	Harding et al.
6,476,595 B1	11/2002	Heuell et al.
6,476,729 B1	11/2002	Liu
D525,893 S	8/2006	Kagan et al.
D526,920 S	8/2006	Kagan et al.

D545,181 S	6/2007	Kagan et al.	
7,417,419 B2 *	8/2008	Tate	324/142
7,868,782 B2 *	1/2011	Ehrke et al.	340/870.12
D653,572 S *	2/2012	Ohtani et al.	D10/102
8,176,174 B2 *	5/2012	Kagan	709/224
D666,933 S *	9/2012	Hoffman et al.	D10/102
8,310,403 B2 *	11/2012	Nahar	340/870.02
8,325,057 B2 *	12/2012	Salter	340/870.02

* cited by examiner

Primary Examiner — Antoine D Davis

(74) *Attorney, Agent, or Firm* — Gerald E. Hespos; Michael J. Porco; Matthew T. Hespos

(57) **CLAIM**

The ornamental design of a “digital display”, as shown and described.

DESCRIPTION

FIG. 1 is a front perspective view of our new, original and ornamental design for a digital display according to a first embodiment;

FIG. 2 is a rear perspective view of the digital display of FIG. 1;

FIG. 3 is a top plan view of the digital display of FIG. 1;

FIG. 4 is a front elevational view of the digital display of FIG. 1;

FIG. 5 is a right side view of the digital display of FIG. 1;

FIG. 6 is a left side view of the digital display of FIG. 1;

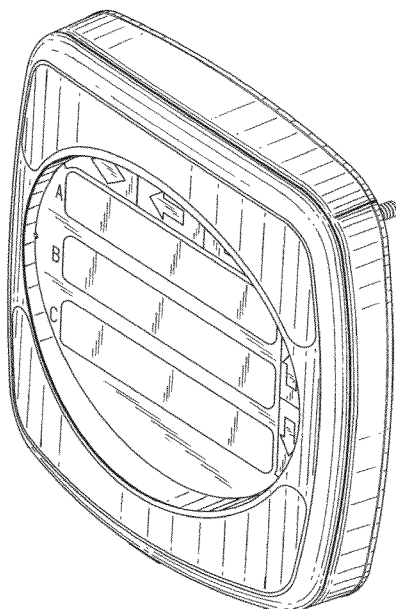
FIG. 7 is a rear elevational view of the digital display of FIG. 1;

FIG. 8 is a bottom plan view of the digital display of FIG. 1;

FIG. 9 is a perspective view of a digital display according to a second embodiment; and,

FIG. 10 is a front elevational view of the digital display of FIG. 9.

1 Claim, 8 Drawing Sheets



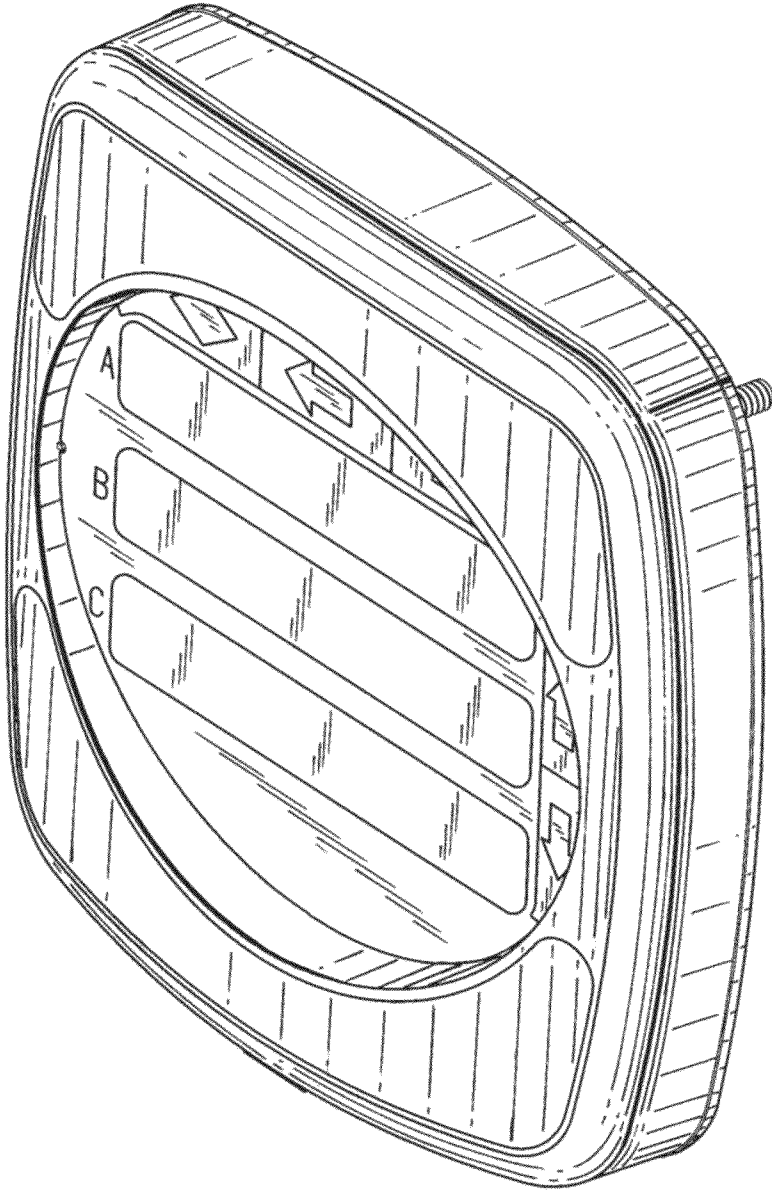


FIG. 1

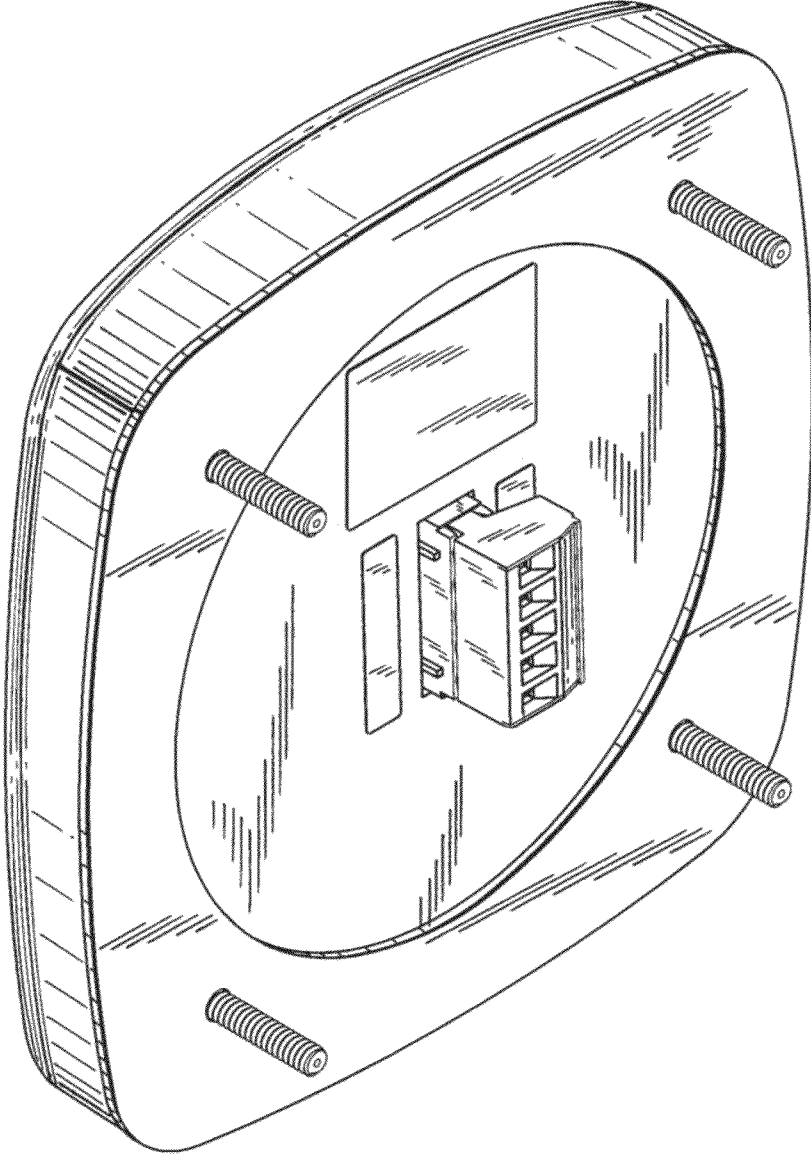


FIG.2

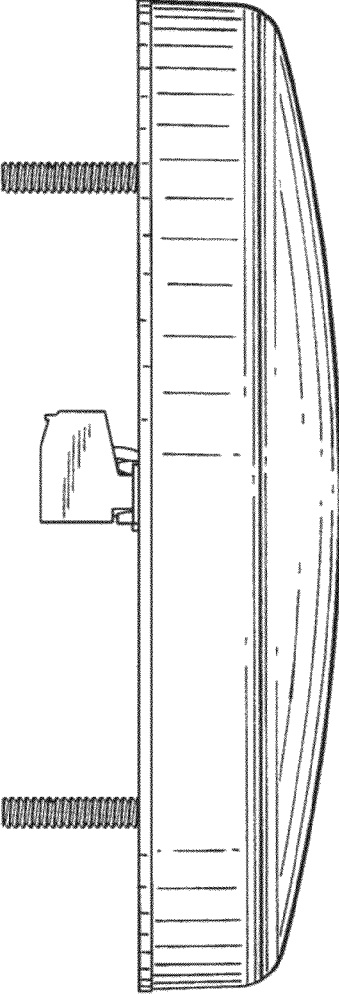


FIG. 3

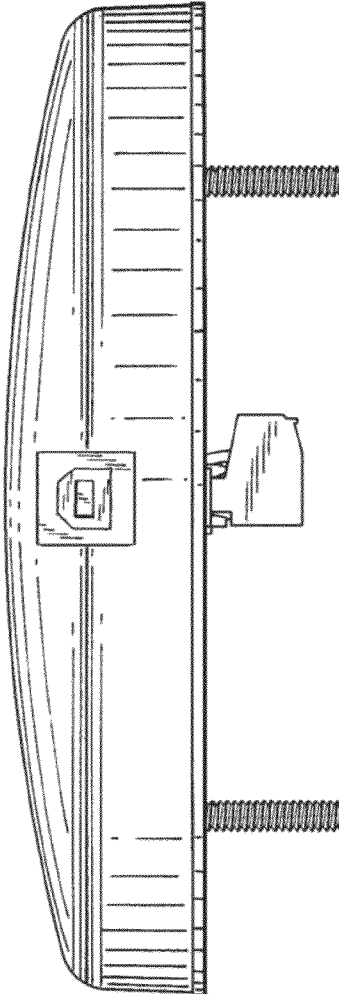


FIG. 8

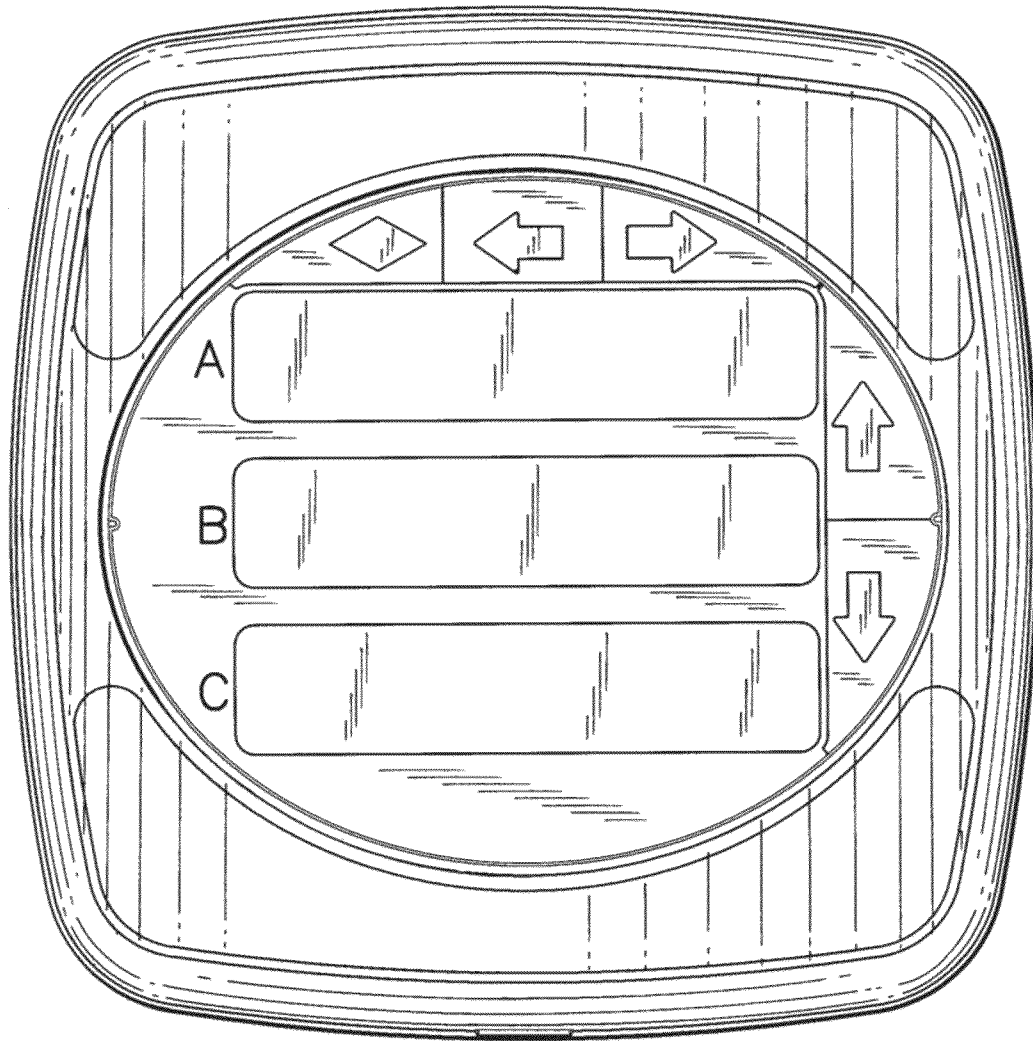


FIG.4

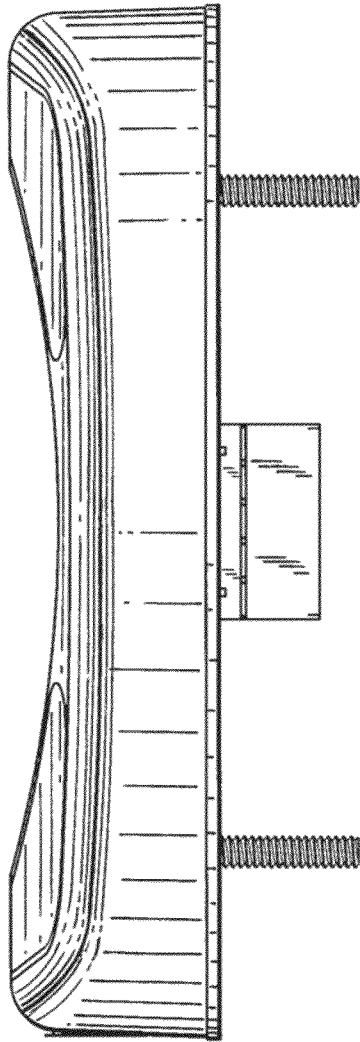


FIG. 5

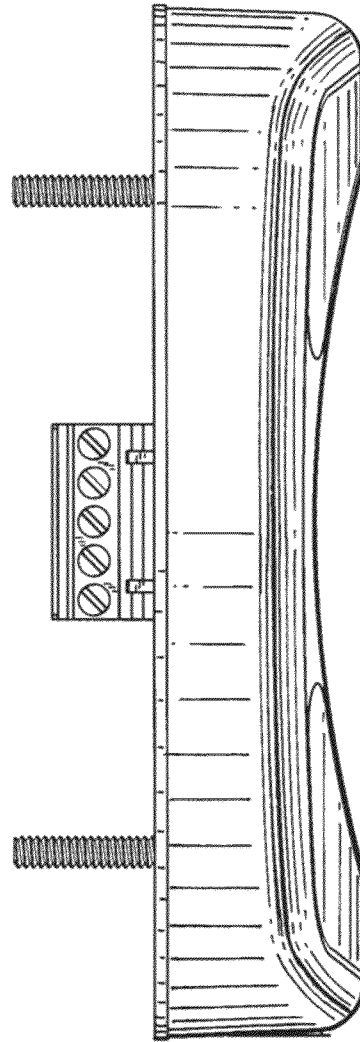


FIG. 6

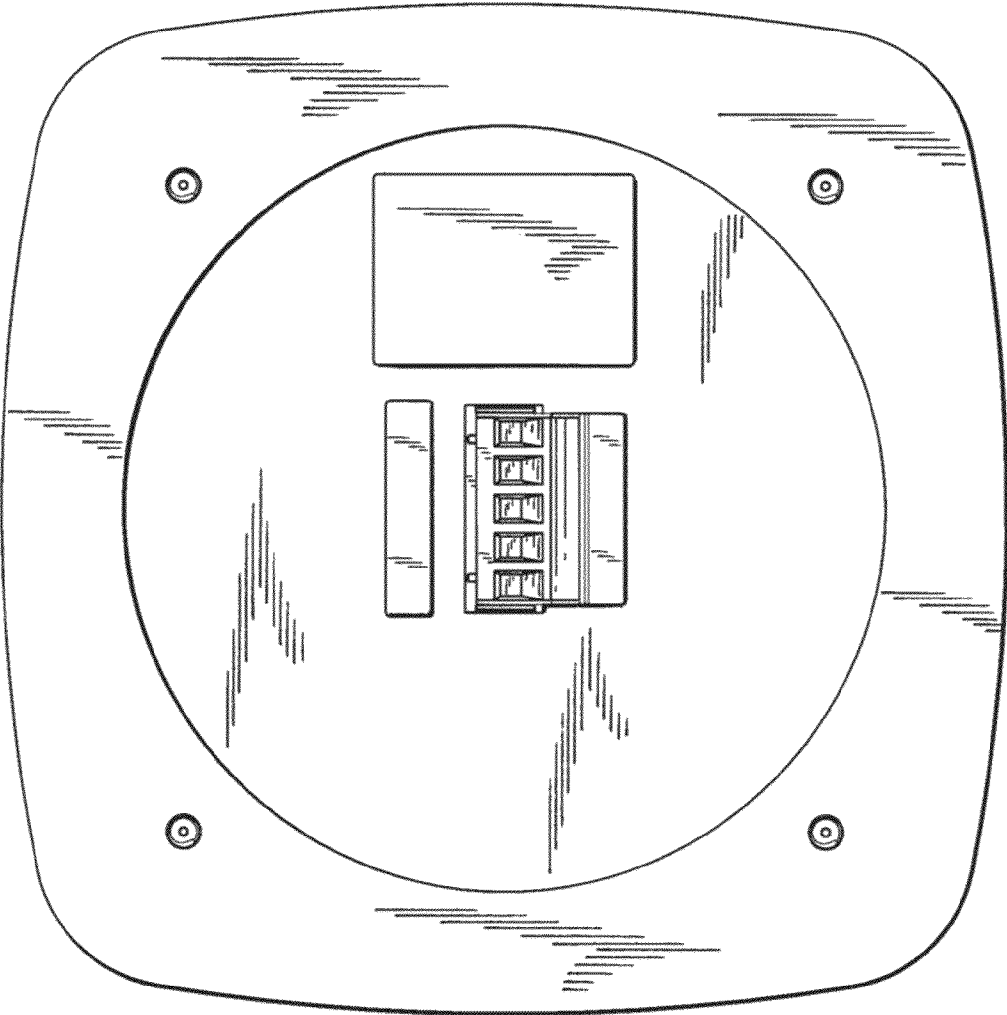


FIG.7

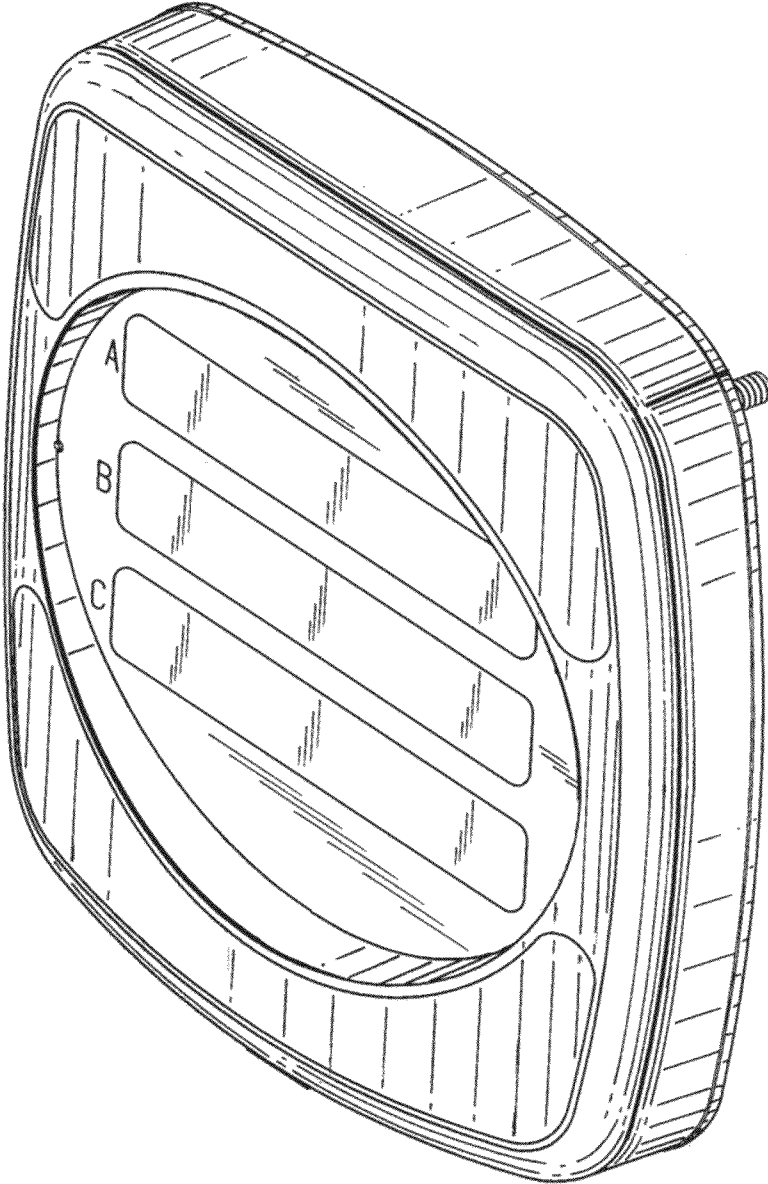


FIG.9

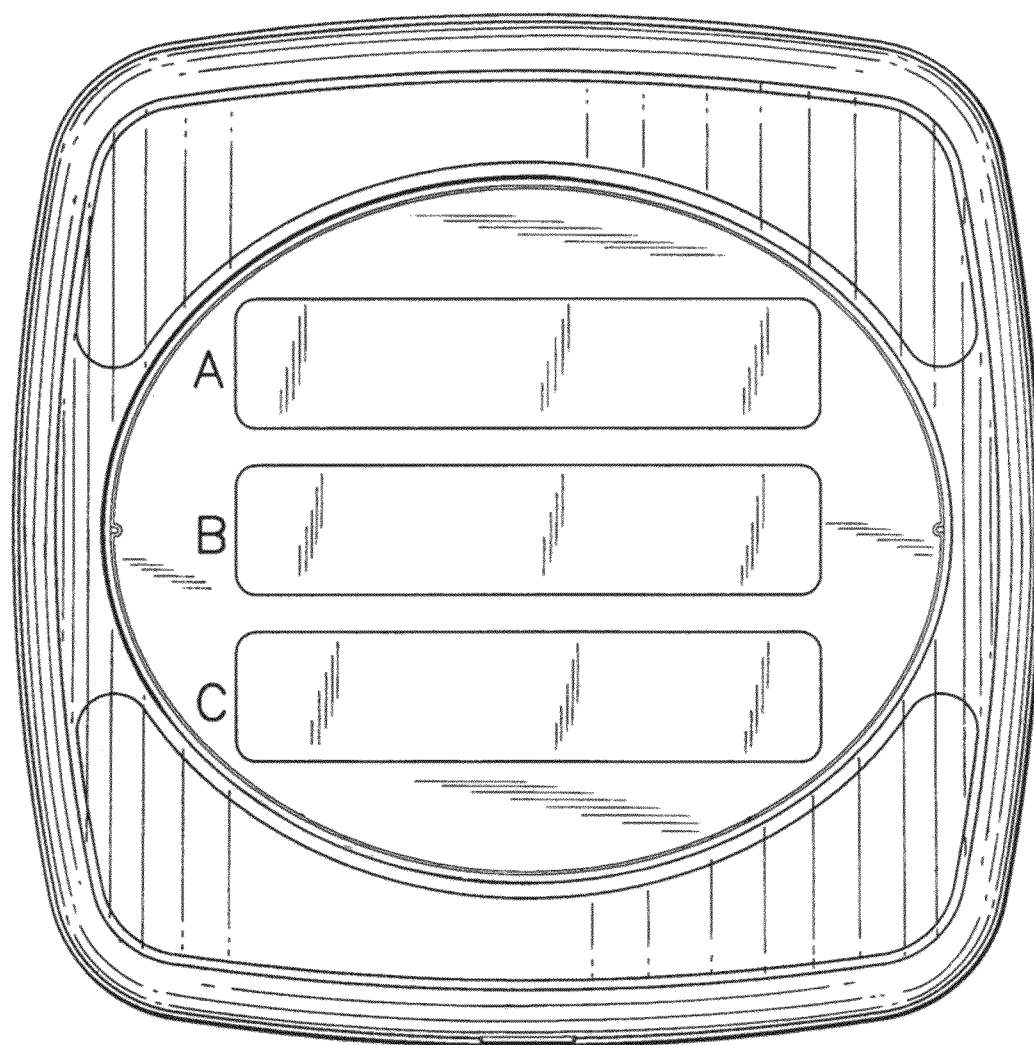


FIG. 10