



US 20140102328A1

(19) **United States**

(12) **Patent Application Publication**
Roermerman et al.

(10) **Pub. No.: US 2014/0102328 A1**

(43) **Pub. Date: Apr. 17, 2014**

(54) **WEAPON AND WEAPON SYSTEM
EMPLOYING THE SAME**

Publication Classification

(75) Inventors: **Steven D. Roermerman**, Highland
Village, TX (US); **John P. Volpi**,
Garland, TX (US)

(51) **Int. Cl.**
F42B 4/02 (2006.01)
F42B 12/40 (2006.01)
F42B 12/48 (2006.01)
F42B 10/60 (2006.01)

(73) Assignee: **LONE STAR IP HOLDINGS, LP**,
Addison, TX (US)

(52) **U.S. Cl.**
CPC . *F42B 4/02* (2013.01); *F42B 10/60* (2013.01);
F42B 12/40 (2013.01); *F42B 12/48* (2013.01)
USPC **102/334**

(21) Appl. No.: **13/451,404**

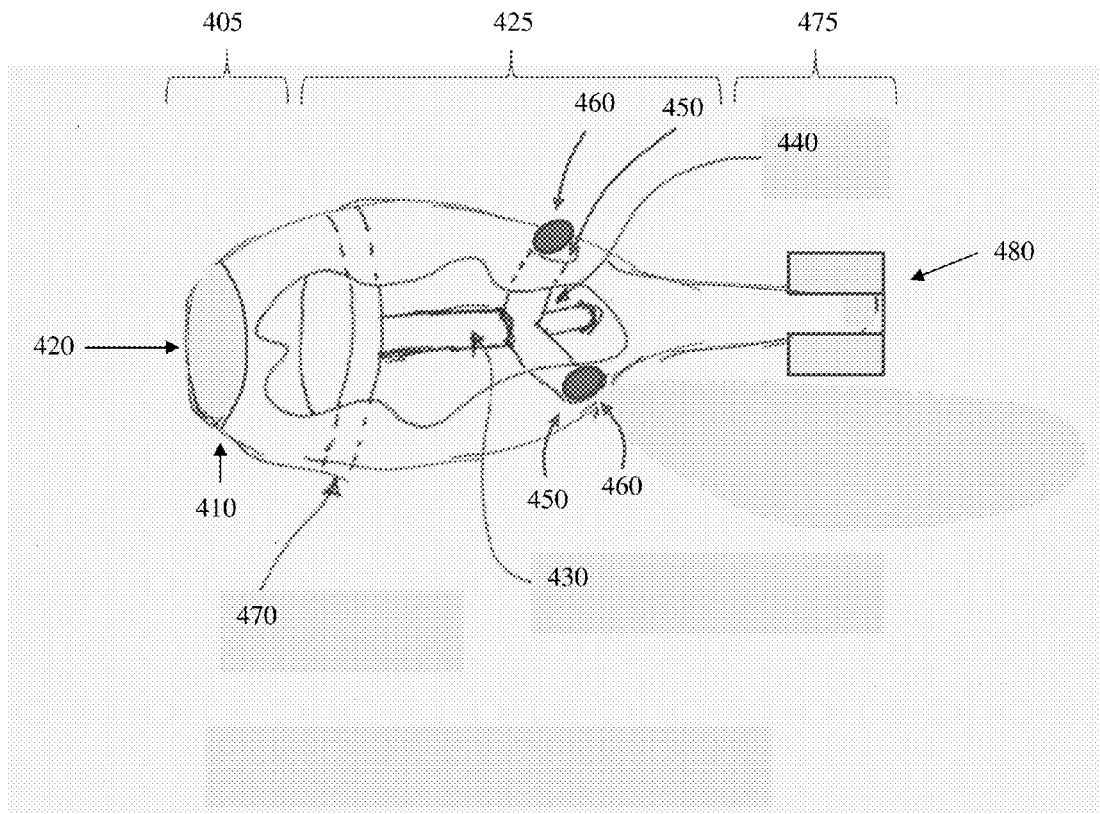
(22) Filed: **Apr. 19, 2012**

(57) **ABSTRACT**

A weapon system including a weapon, and methods of manufacturing and operating the same. In one embodiment, the weapon includes a guidance section in a front section of the weapon, and a signal cartridge assembly behind the front section and including a signal cartridge configured to provide a signal indicating a location of impact for the weapon.

Related U.S. Application Data

(60) Provisional application No. 61/477,019, filed on Apr. 19, 2011.



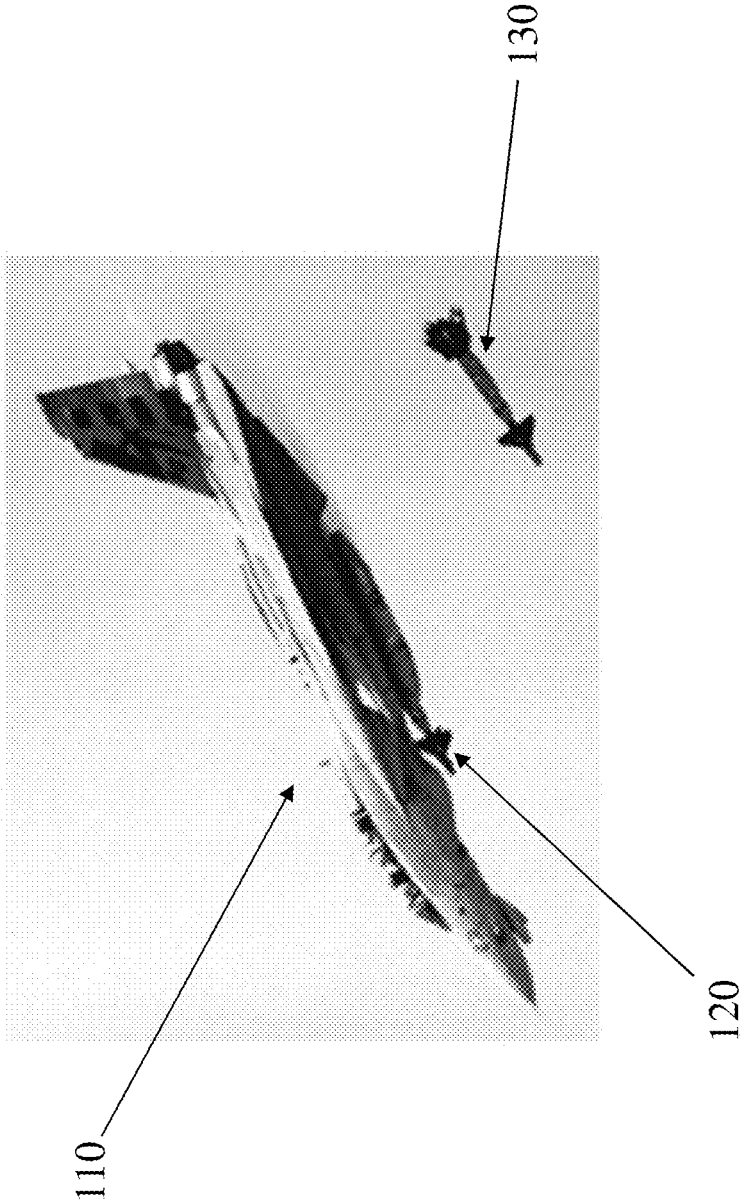


FIGURE 1

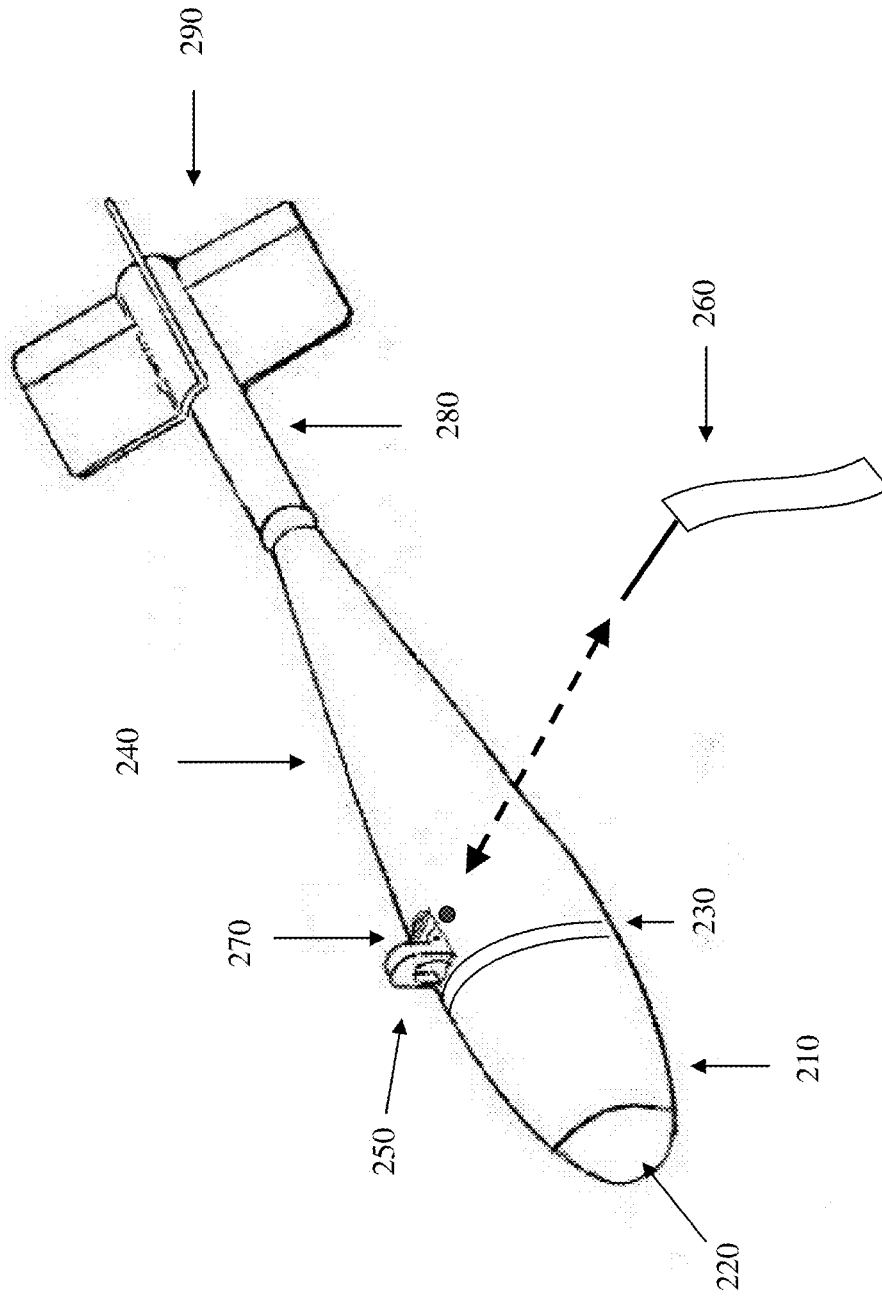


FIGURE 2

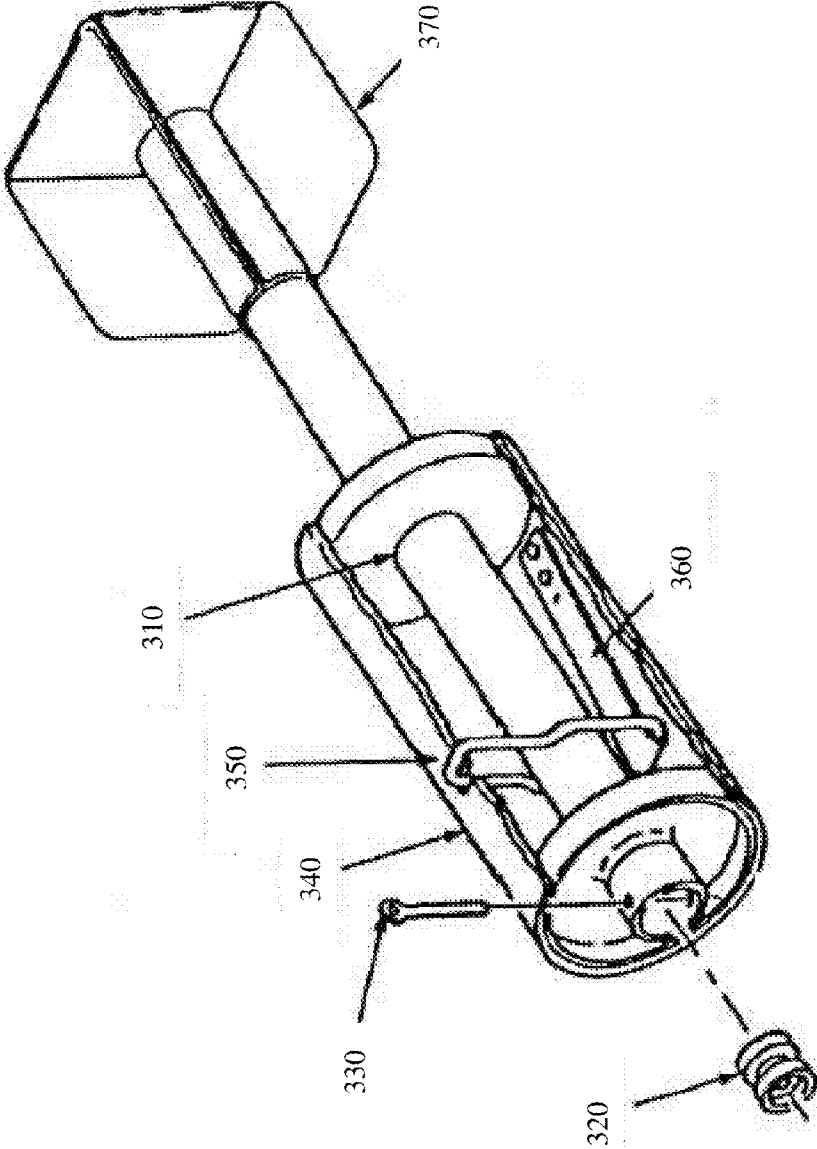


FIGURE 3

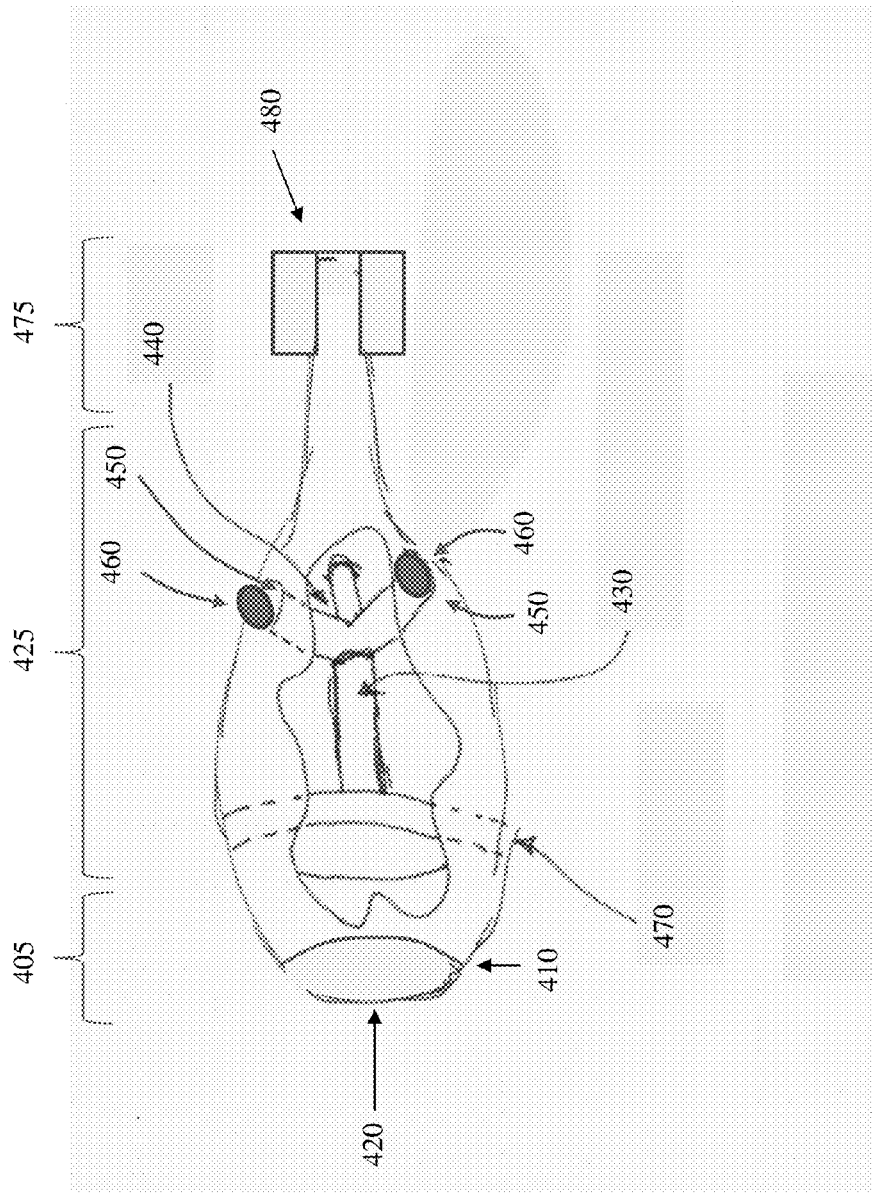


FIGURE 4

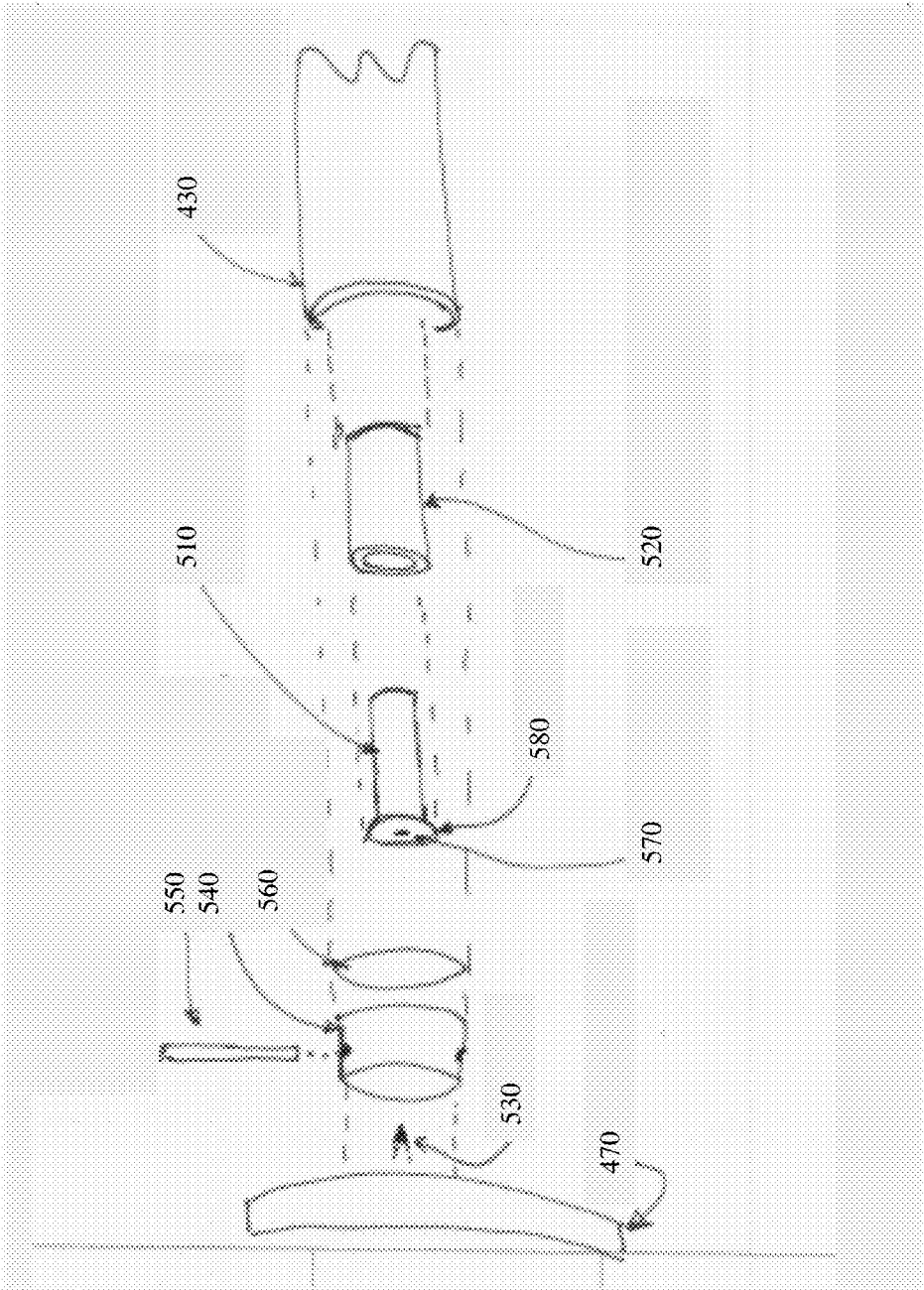


FIGURE 5

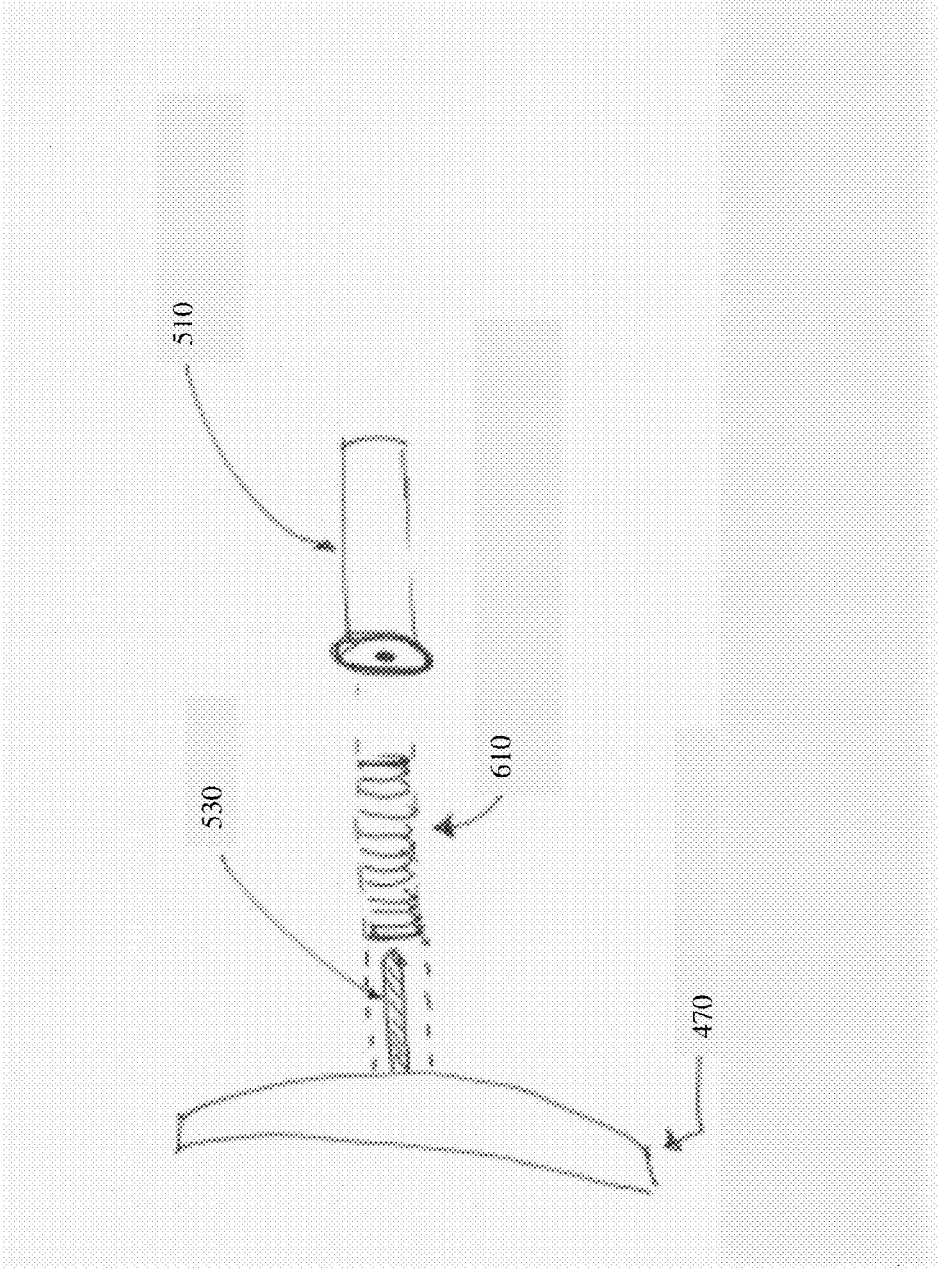


FIGURE 6

WEAPON AND WEAPON SYSTEM EMPLOYING THE SAME

[0001] This application claims the benefit of U.S. Provisional Application No. 61/477,019 entitled “Weapon Training System and Internal Marker Cartridge,” filed Apr. 19, 2011, which application is incorporated herein by reference.

TECHNICAL FIELD

[0002] The present invention is directed, in general, to weapon systems and, more specifically, to a weapon system including a weapon, and methods of manufacturing and operating the same.

BACKGROUND

[0003] Weapons including practice bombs are often employed to simulate the ballistic properties of service bombs used in combat. Since practice bombs contain no explosive filler, a practice bomb signal cartridge can be used for visual observation of weapon-target impact. The signal cartridges provide a flash, smoke (or smoke like signal) and/or a dye effect, providing a mechanism of locating the impact of the practice bomb in daylight, in darkness and in water.

[0004] The primary purpose of practice bombs is safety when training new or inexperienced pilots and ground-handling crews. Other advantages of practice bombs include their low cost and an increase in available target locations due primarily to reduced safety requirements because of a lack of an active warhead. These bombs provide full-scale training for assembly and loading crews and pilots. The general types of practice bombs are subcaliber or full-scale practice bombs. Subcaliber means that the practice bomb is much smaller in size and weight than the service bomb it simulates. Full-scale practice bombs are representative of service bombs in their size and weight.

[0005] As mentioned above, there is a need to configure the practice bombs to emulate the operation of the service bombs. The presently available practice bombs suffer from deficiencies such as the arrangement of the signal cartridge therein. This can be because newer practice bombs often incorporate additional homing and guiding capabilities to better emulate the actual weapon. What is needed in the art, therefore, is a weapon in the form of a practice bomb that overcomes the deficiencies in the prior art.

SUMMARY OF THE INVENTION

[0006] These and other problems are generally solved or circumvented, and technical advantages are generally achieved, by advantageous embodiments of the present invention, which includes a weapon system including a weapon, and methods of manufacturing and operating the same. In one embodiment, the weapon includes a guidance section in a front section of the weapon, and a signal cartridge assembly behind the front section and including a signal cartridge configured to provide a signal indicating a location of impact for the weapon.

[0007] The foregoing has outlined rather broadly the features and technical advantages of the present invention in order that the detailed description of the invention that follows may be better understood. Additional features and advantages of the invention will be described hereinafter which form the subject of the claims of the invention. It should be appreciated by those skilled in the art that the

conception and specific embodiment disclosed may be readily utilized as a basis for modifying or designing other structures or processes for carrying out the same purposes of the present invention. It should also be realized by those skilled in the art that such equivalent constructions do not depart from the spirit and scope of the invention as set forth in the appended claims.

BRIEF DESCRIPTION OF THE DRAWINGS

[0008] For a more complete understanding of the present invention, and the advantages thereof, reference is now made to the following descriptions taken in conjunction with the accompanying drawings, in which:

[0009] FIG. 1 illustrates a view of an embodiment of a weapon system;

[0010] FIG. 2 illustrated is a perspective view of an embodiment of a weapon employable in a weapon system;

[0011] FIG. 3 illustrates a perspective view of an embodiment of a weapon employable in a weapon system; and

[0012] FIGS. 4 to 6 illustrate views of another embodiment of a weapon employable in a weapon system.

DETAILED DESCRIPTION OF ILLUSTRATIVE EMBODIMENTS

[0013] The making and using of the presently preferred embodiments are discussed in detail below. It should be appreciated, however, that the present invention provides many applicable inventive concepts that can be embodied in a wide variety of specific contexts. The specific embodiments discussed are merely illustrative of specific ways to make and use the invention, and do not limit the scope of the invention.

[0014] The present disclosure is related to weapons systems and may incorporate RFID systems as well. For exemplary weapons and weapons systems, see U.S. patent application Ser. No. 10/841,192 entitled “Weapon and Weapon System Employing The Same,” to Roerman, et al., filed May 7, 2004, U.S. Pat. No. 7,530,315 entitled “Weapon and Weapon System Employing the Same,” to Tepera, et al., issued May 5, 2009, and U.S. Pat. No. 8,117,955 entitled “Weapon Interface System and Delivery Platform Employing the Same,” to Roerman, et al., issued Feb. 21, 2012, which are incorporated herein by reference. Additionally, a related weapon and weapon system is provided in U.S. Patent Application Publication No. 2011/0017864 entitled “Small Smart Weapon and Weapon System Employing the Same,” published January 27, which is a continuation in part of U.S. Pat. No. 7,895,946 entitled “Small Smart Weapon and Weapon System Employing the Same,” issued Mar. 1, 2011, which is a continuation-in-part of U.S. Pat. No. 7,690,304 entitled “Small Smart Weapon and Weapon System Employing the Same,” issued Apr. 6, 2010, which are incorporated herein by reference. For examples of RFID systems, see U.S. Patent Application Publication No. 2007/0035383, entitled “Radio Frequency Identification Interrogation Systems and Methods of Operating the Same,” to Roerman, et al., published Feb. 15, 2007, U.S. Pat. No. 7,019,650 entitled “Interrogator and Interrogation System Employing the Same,” to Volpi, et al., issued on Mar. 28, 2006, U.S. Pat. No. 7,501,948, entitled “Interrogation System Employing Prior Knowledge About An Object To Discern An Identity Thereof,” to Roerman, et al., issued Mar. 10, 2009, U.S. Patent Application Publication No. 2006/0017545, entitled “Radio Frequency Identification Interrogation Systems and Methods of Operating the

Same,” to Volpi, et al., published Jan. 26, 2006, U.S. Patent Application Publication No. 2005/0201450, entitled “Interrogator And Interrogation System Employing The Same,” to Volpi, et al., published Sep. 15, 2005, and U.S. Pat. No. 8,063,760, entitled “Interrogator and Interrogation System Employing the Same,” to Volpi, et al., issued Nov. 22, 2011, all of which are incorporated herein by reference.

[0015] Referring initially to FIG. 1, illustrated is a view of an embodiment of a weapon system in accordance with the principles of the present invention. The weapon system includes a delivery vehicle (e.g., an airplane such as an F-14) 110 and at least one weapon. As demonstrated, a first weapon 120 is attached to the delivery vehicle and a second weapon 130 is deployed from the delivery vehicle 110 intended for a target.

[0016] The weapon system is configured to provide total energy as derived, without limitation, from a velocity and altitude of the delivery vehicle 110 in the form of kinetic energy and potential energy to the first and second weapons 120, 130 and, ultimately, the warhead, submunitions and any contents (such as darts) therein. The first and second weapons 120, 130 when released from the delivery vehicle 110 provide guided motion for the warhead, submunitions and darts to the target. The total energy transferred from the delivery vehicle 110 as well as any additional energy acquired through the first and second weapons 120, 130 through propulsion, gravity or other parameters provides the kinetic energy to the warhead to perform the intended mission. While the first and second weapons 120, 130 described with respect to FIG. 1 represent precision guided weapons, those skilled in the art understand that the principles of the present invention also apply to other types of weapons including weapons that are not guided by guidance technology or systems. While this discussion supports actual weapons it illustrates the need for test weapons of similar capability as regards dynamics and guidance capabilities.

[0017] Turning now to FIG. 2, illustrated is a perspective view of an embodiment of a weapon employable in a weapon system. The weapon includes a guidance section 210 including a target sensor (e.g., a laser seeker) 220, and guidance and control electronics and logic to guide the weapon to a target. The target sensor 220 may include components and subsystems such as a crush switch, a semi-active laser based terminal seeker (“SAL”) quad detector, a net cast corrector and lenses for an optical system. In accordance with SAL systems, net cast optics are suitable, since the spot for the terminal seeker is normally defocused.

[0018] The guidance section 210 may include components and subsystems such as a global positioning system (“GPS”), an antenna such as a ring antenna 230 (e.g., dual use handoff and data and mission insertion similar to radio frequency identification and potentially also including responses from the weapon via similar means), a multiple axis microelectromechanical gyroscope, safety and arming devices, fuzing components, a quad detector, a communication interface [e.g., digital subscriber line (“DSL”)], and provide features such as low power warming for fast acquisition and inductive handoff with a personal information manager. In the illustrated embodiment, the antenna 230 is about a surface of the weapon. Thus, the antenna 230 is configured to receive mission data such as location, laser codes, GPS ephemerides and the like before launching from a delivery vehicle to guide the weapon to a target. The antenna is also configured to receive instructions after launching from the delivery vehicle to guide

the weapon to the target. The weapon system, therefore, includes a communication system, typically within the delivery vehicle, to communicate with the weapon, and to achieve other goals and ends in the context of weapon system operation. It should be understood that the guidance section 210 contemplates, without limitation, laser guided, GPS guided, and dual mode laser and GPS guided systems. It should be understood that this antenna may be configured to receive various kinds of electromagnetic energy, just as there are many types of RFID tags that are configured to receive various kinds of electromagnetic energy.

[0019] The weapon also includes a warhead 240 (e.g., a unitary configuration) having destructive elements (formed from explosive or non-explosive materials), mechanisms and elements to articulate aerodynamic surfaces. A folding lug switch assembly 250, safety pin 260 and cavity 270 are also coupled to the guidance section 210 and the warhead 240. The guidance section 210 is in front of the warhead 240. As addressed below, for a test weapon using the principles of a signal cartridge assembly, the area of the warhead 240 can be used for the signal cartridge assembly and a test weapon of similar dynamics, but of lesser cost and greater safety can be configured. The folding lug switch assembly 250 projects from a surface of the weapon. The weapon still further includes an aft section 280 behind the warhead 240 including system power elements, a ballast, actuators, flight control elements, and tail fins 290.

[0020] For instances when the target sensor 220 is a laser seeker, the laser seeker detects the reflected energy from a selected target which is being illuminated by a laser. The laser seeker provides signals so as to drive the control surfaces in a manner such that the weapon is directed to the target. The tail fins 290 provide both stability and lift to the weapon. Modern precision guided weapons can be precisely guided to a specific target so that considerable explosive energy is often not needed to destroy an intended target. In many instances, kinetic energy discussed herein may be sufficient to destroy a target, especially when the weapon can be directed with sufficient accuracy to strike a specific designated target.

[0021] The destructive elements of the warhead 240 may be constructed of non-explosive materials and selected to achieve penetration, fragmentation, or incendiary effects. The destructive elements (e.g., shot) may include an incendiary material such as a pyrophoric material (e.g., zirconium) therein. The term “shot” generally refers a solid or hollow spherical, cubic, or other suitably shaped element constructed of explosive or non-explosive materials, without the aerodynamic characteristics generally associated with, for instance, a “dart.” The shot may include an incendiary material such as a pyrophoric material (e.g., zirconium) therein. Inasmuch as the destructive elements of the warhead are a significant part of the weapon, the placement of these destructive elements, in order to achieve the overall weight and center of gravity desired, is an important element in the design of the weapon.

[0022] The non-explosive materials applied herein are substantially inert in environments that are normal and under benign conditions. Nominally stressing environments such as experienced in normal handling are generally insufficient to cause the selected materials (e.g., tungsten, hardened steel, zirconium, copper, depleted uranium and other like materials) to become destructive in an explosive or incendiary manner. The latent lethal explosive factor is minimal or non-existent. Reactive conditions are predicated on the application of high kinetic energy transfer, a predominantly physical reaction, and not on explosive effects, a predominantly chemical reaction.

[0023] The folding lug switch assembly 250 is typically spring-loaded to fold down upon release from, without limitation, a rack on an aircraft. The folding lug switch assembly 250 permits initialization after launch (no need to fire thermal batteries or use other power until the bomb is away) and provides a positive signal for a fuze. The folding lug switch assembly 250 is consistent with the laser guided bomb (“LGB”) strategy using lanyards, but without the logistics issues of lanyards. The folding lug switch assembly 250 also makes an aircraft data and power interface optional and supports a visible “remove before flight” pin. The folding lug switch assembly 250 provides a mechanism to attach the weapon to a delivery vehicle and is configured to close after launching from the delivery vehicle thereby satisfying a criterion to arm the warhead. It should be understood, however, that the folding lug switch assembly 250, which is highly desirable in some circumstances, can be replaced with other means of carriage and suspension, and is only one of many features of the present invention, which can be applied in different combinations to achieve the benefits of the weapon system.

[0024] Typically, the safety pin 260 is removed from the folding lug switch assembly 250 and the folding lug switch assembly 250 is attached to a rack of an aircraft to hold the folding lug switch assembly 250 in an open position prior to launch. Thus, the safety pin 260 provides a mechanism to arm the weapon. Once the weapon is launched from the aircraft, the folding lug switch assembly 250 folds down into the cavity 270 and provides another mechanism to arm the weapon. A delay circuit between the folding lug switch assembly 250 and the fuze may be yet another mechanism to arm or provide time to disable the weapon after launch. Therefore, there are often three mechanisms that are satisfied before the weapon is ultimately armed enroute to the target.

[0025] A number of circuits are now well understood that use power from radio frequency or inductive fields to power a receiving chip and store data. The antenna includes an interface to terminate with the aircraft interface at the rack for loading relevant mission data including target, location, laser codes, GPS ephemerides and the like before being launched. Programming may be accomplished by a hand-held device similar to a fuze setter or can be programmed by a lower power interface between a rack and the weapon. Other embodiments are clearly possible to those skilled in the art. The antenna serves a dual purpose for handoff and GPS. In other words, the antenna is configured to receive instructions after launching from the delivery vehicle to guide the weapon to the target. Typically, power to the weapon is not required prior to launch, therefore no umbilical cable is needed. Alternative embodiments for power to GPS prior to launch are also contemplated herein.

[0026] The modular design of the weapon allows the introduction of features such as GPS and other sensors as well. Also, the use of a modular warhead 240 with heavy metal ballast makes the low cost kinetic [no high explosives (“HE”)] design option practical and affordable.

[0027] As illustrated in an exemplary embodiment of a weapon in the TABLE 1 below, the weapon may be designed to have a similar envelope, mass, and center of gravity already present in existing aircraft for a practice bomb version thereof. Alternatively, the weapon may be designed with other envelopes, masses, and centers of gravity, as may be available with other configurations, as also being included within the constructs of this invention.

TABLE 1

FUNCTION	MATERIAL	DENSITY (LB/CU IN)	WEIGHT (LB)	VOLUME (CU IN)
Ballast/KE	Tungsten	0.695	20.329	29.250
Structure, Metal	Aluminum	0.090	0.270	3.000
Augmented Charge (“MAC”) Explosive				
Dome	Pyrex	0.074	0.167	2.250
Structure	Steel	0.260	1.430	5.500
Guidance	Misc	0.033	0.800	24.000
Primary Explosive	Electronics Polymer Bonded Explosive (“PBX”)	0.057	2.040	36.000
Total	SSW	0.250	25.036	100.000
MK-76		0.250	25.000	100.000

[0028] In the above example, the weapon is MK-76 derived, but others such as BDU-33 are well within the broad scope of the present invention. The weapon provides for very low cost of aircraft integration. The warhead 240 is large enough for useful warheads and small enough for very high carriage density. The modular design of the weapon allows many variants and is compatible with existing handling and loading methods.

[0029] The following TABLES 2 and 3 provide a comparison of several weapons to accentuate the advantages of small smart weapons such as the MK-76 and BDU-33.

TABLE 2

CANDIDATE	AIRCRAFT (“A/C”) CLEARED	WEIGHT (LB)	DIAMETER (IN-APPROX)	REMARKS
LGB/MK-81	None	250+	10	Canceled variant
MK-76/BDU33	All	25	4	Low drag practice bomb
BDU-48	All	10	3.9	High drag practice bomb
MK-106	All	5	3.9	High drag practice bomb
SDB	Most US	285	7.5	GBU-39 Small Dia. Bomb

TABLE 3

CANDIDATE	CLEARED ON MANY A/C?	LARGE ENOUGH FOR WARHEAD?	VIABLE FOR EXPORT?	HIGH DENSITY CARRIAGE?	COMPATIBLE WITH TUBE LAUNCH?
LGB/MK-81	No	Yes	Yes	No	No
MK-76/BDU33	All	Yes	Yes	Yes	Yes

TABLE 3-continued

CANDIDATE	CLEARED ON MANY A/C?	LARGE ENOUGH FOR WARHEAD?	VIABLE FOR EXPORT?	HIGH DENSITY CARRIAGE?	COMPATIBLE WITH TUBE LAUNCH?
BDU-48	All	No	Yes	Yes	Yes
MK-106	All	No	Yes	Yes	Yes
SDB	Most US	Yes	No	Yes	No

[0030] The aforementioned tables provide a snapshot of the advantages associated with small smart weapons, such as, procurements are inevitable, and the current weapons have limited utility due to political, tactical, and legal considerations. Additionally, the technology is ready with much of it being commercial off-the-shelf technology and the trends reflect these changes. The smart weapons are now core doctrine and contractors can expect production in very large numbers. Compared to existing systems, small smart weapons exhibit smaller size, lower cost, equally high or better accuracy, short time to market, and ease of integration with an airframe, which are key elements directly addressed by the weapon disclosed herein. As an example, the small smart weapon could increase an unmanned combat air vehicle (“UCAV”) weapon count by a factor of two or more over a small diameter bomb (“SDB”) such as a GBU-39/B.

[0031] The small smart weapons also address concerns with submunitions, which are claimed by some nations to fall under the land mine treaty. The submunitions are a major source of unexploded ordnance, causing significant limitations to force maneuvers, and casualties to civilians and blue forces. Submunitions are currently the only practical way to attack area targets, such as staging areas, barracks complexes, freight yards, etc. Unexploded ordnance from larger warheads are a primary source of explosives for improvised explosive devices. While the broad scope of the present invention is not so limited, small smart weapons including small warheads, individually targeted, alleviate or greatly reduce these concerns.

[0032] Turning now to FIG. 3, illustrated is a perspective view of an embodiment of a weapon employable in a weapon system. The weapon is a practice bomb including marker cartridges to provide a visual signal indicating the location of impact. These cartridges are often called signal cartridges **310**. The signal cartridges **310** provide a flash, smoke (or smoke like signal) and/or a dye effect, providing a mechanism for locating the impact of a practice bomb in daylight, in darkness and in water. The terms “signal cartridge,” “marker cartridge” and “cartridge” may be used interchangeably. A momentum of the practice bomb on impact drives the signal cartridge **310** into a firing pin **320**. A primer in the signal cartridge **310** is engaged by the firing pin **320**, initiating the signal. A cotter pin (or safety pin) **330** provides a mechanism of “safeing” the round.

[0033] A body assembly **340** of the practice bomb may be attached to a delivery vehicle by a suspension lug **350** coupled to a tension spring **360**. A tail fin **370** assists with the aerodynamics as the practice bomb is guided toward a target. An example of a practice bomb is a BDU-48/B form factor practice bomb. As evident in the illustrated embodiment, the configuration of the practice bomb employs a forward section thereof for the signal cartridge **310** and the supporting elements.

[0034] Turning now to FIGS. 4 to 6, illustrated are views of another embodiment of a weapon employable in a weapon system. Beginning with the side, cut away view of FIG. 4, the weapon includes a guidance section **410** including a target sensor (e.g., a laser seeker) **420**, and guidance and control electronics and logic to guide the weapon to a target in a front section **405** of a practice bomb embodying the weapon. The guidance section **410** may be analogous to the guidance section **210** described with respect to FIG. 2 above. A signal cartridge **510** (see FIGS. 5 and 6) is installed in a signal cartridge assembly within a containment tube **430**. The signal cartridge assembly includes a manifold **440** that provides multiple orifices **450** for the signal indication to escape the practice bomb embodying the weapon. Orifice seals **460** close each orifice **450** prior to the signal cartridge **510** firing, and are blown out by expanding gas of the signal cartridge **510** upon firing. As illustrated, one of the orifice seals **460** is open and the other is closed. The signal cartridge **510** and related assembly is located in a mid-section **425** of the practice bomb. The practice bomb still further includes an aft section **475** behind the mid-section **425** including system power elements, a ballast, actuators, flight control elements, and tail fins **480**.

[0035] With continuing reference to FIGS. 5 and 6, within the containment tube **430**, a sliding mass (or weight) **520** of the signal cartridge assembly provides a mechanism to drive the signal cartridge **510** into a firing pin such as a fixed firing pin **530**. The firing pin **530** is affixed to a bulkhead (or hard-stop) **470** of sufficient strength to anchor the mechanism. The firing pin **530** is surrounded by a spacer and safety pin positioner **540** also affixed to the bulkhead **470** for engaging a safety or cotter pin **550**. The safety pin **550** should be removed prior to the mission flight by the practice bomb. A frangible disc **560** engages (coupled between) the spacer and safety pin positioner **540** and the containment tube **430**. Upon an impact of sufficient force, the firing pin **530** engages a primer **570** proximate a signal cartridge rim **580**, discharges the signal cartridge **510**, and a signal occurs.

[0036] Note that the practice bomb preserves the ability to use existing signal cartridges **510**. This is a desirable attribute because the signal cartridges **510** can be manufactured in a manner similar to shotgun shells, and are both mature and inexpensive. As illustrated in FIG. 6, the firing pin **530** and standoff spring **610** constitute a firing pin assembly, anchored on the bulkhead **470**. The standoff spring **610** is of sufficient stiffness to prevent the signal cartridge **510** from engaging the firing pin **530** in the event of normal vibrations and shocks after the safety pin **550** has been removed. Normal vibration and shock are sufficiently less than the shock of impact to allow for a safety band of range to exist between normal shock and vibration and the shock of impact. The stiffness of the standoff spring **610** is designed to be sufficient to prevent any firing pin **530** contact under normal conditions, but to be reliably overcome by the acceleration of the signal cartridge

510 due to impact such that the signal cartridge **510** strikes the firing pin **530** with sufficient force to fire the signal cartridge **510**. An engaged safety pin **550** prevents the firing pin **530** from engaging the primer **570**.

[0037] Thus, a weapon system with a weapon in the form of a practice bomb, and methods of manufacturing and operating the same have been introduced herein. The weapon includes a guidance section in a front section thereof and a signal cartridge assembly in a mid-section of the weapon. The weapon discloses how a signal cartridge can be inserted therein whose front section may not be available for conventional insertion of the signal cartridge. The weapon incorporates the signal cartridge without compromising the overall dynamics of the weapon, thereby rendering the weapon as a valuable test device of lesser cost and greater safety.

[0038] Additionally, exemplary embodiments of the present invention have been illustrated with reference to specific components. Those skilled in the art are aware, however, that components may be substituted (not necessarily with components of the same type) to create desired conditions or accomplish desired results. For instance, multiple components may be substituted for a single component and vice-versa. The principles of the present invention may be applied to a wide variety of weapon systems. Those skilled in the art will recognize that other embodiments of the invention can be incorporated into a weapon system employing a weapon in the form of a practice bomb with a signal cartridge that provides a visual indication of a location of impact for the weapon.

[0039] As described above, the exemplary embodiments provide both a method and corresponding apparatus consisting of various modules providing functionality for performing the steps of the method. The modules may be implemented as hardware (including an integrated circuit such as an application specific integrated circuit), or may be implemented as software or firmware for execution by a computer processor. In particular, in the case of firmware or software, the exemplary embodiment can be provided as a computer program product including a computer readable storage structure or medium embodying computer program code (i.e., software or firmware) thereon for execution by the computer processor.

[0040] Although the present invention has been described in detail, those skilled in the art should understand that they can make various changes, substitutions and alterations herein without departing from the spirit and scope of the invention in its broadest form. Moreover, the scope of the present application is not intended to be limited to the particular embodiments of the process, machine, manufacture, composition of matter, means, methods and steps described in the specification. As one of ordinary skill in the art will readily appreciate from the disclosure of the present invention, processes, machines, manufacture, compositions of matter, means, methods, or steps, presently existing or later to be developed, that perform substantially the same function or achieve substantially the same result as the corresponding embodiments described herein may be utilized according to the present invention. Accordingly, the appended claims are intended to include within their scope such processes, machines, manufacture, compositions of matter, means, methods, or steps.

What is claimed is:

1. A weapon, comprising:
 - a guidance section in a front section of said weapon;
 - a signal cartridge assembly behind said front section and comprising a signal cartridge configured to provide a signal indicating a location of impact for said weapon.
2. The weapon as recited in claim 1 wherein said signal cartridge assembly is in a mid-section of said weapon.
3. The weapon as recited in claim 1 further comprising tails fins in an aft section of said weapon.
4. The weapon as recited in claim 1 wherein said signal cartridge is installed within a containment tube of said signal cartridge assembly.
5. The weapon as recited in claim 4 wherein said signal cartridge assembly comprises a sliding mass configured to drive said signal cartridge into a firing pin coupled to a bulkhead upon impact.
6. The weapon as recited in claim 5 wherein said firing pin is surrounded by a standoff spring configured to prevent said signal cartridge from engaging said firing pin in the event of normal vibrations and shocks.
7. The weapon as recited in claim 5 wherein said firing pin is surrounded by a spacer and safety pin positioner affixed to said bulkhead for engaging a safety pin.
8. The weapon as recited in claim 7 wherein said safety pin positioner is coupled to said containment tube via a frangible disc.
9. The weapon as recited in claim 1 wherein said signal cartridge assembly comprises a manifold configured to provide an orifice for said signal to escape said weapon.
10. The weapon as recited in claim 1 wherein said signal cartridge assembly comprises an orifice seal configured to close said orifice prior to firing said signal cartridge.
11. A weapon system, comprising:
 - a delivery vehicle; and
 - a weapon coupleable to said delivery vehicle, comprising:
 - a guidance section in a front section of said weapon, and
 - a signal cartridge assembly behind said front section and comprising a signal cartridge configured to provide a signal indicating a location of impact for said weapon.
12. The weapon system as recited in claim 11 wherein said signal cartridge assembly is in a mid-section of said weapon.
13. The weapon system as recited in claim 11 wherein said weapon further comprises tails fins in an aft section of said weapon.
14. The weapon system as recited in claim 11 wherein said signal cartridge is installed within a containment tube of said signal cartridge assembly.
15. The weapon system as recited in claim 14 wherein said signal cartridge assembly comprises a sliding mass configured to drive said signal cartridge into a firing pin coupled to a bulkhead upon impact.
16. The weapon system as recited in claim 15 wherein said firing pin is surrounded by a standoff spring configured to prevent said signal cartridge from engaging said firing pin in the event of normal vibrations and shocks.
17. The weapon system as recited in claim 15 wherein said firing pin is surrounded by a spacer and safety pin positioner affixed to said bulkhead for engaging a safety pin.
18. The weapon system as recited in claim 17 wherein said safety pin positioner is coupled to said containment tube via a frangible disc.

19. The weapon system as recited in claim **11** wherein said signal cartridge assembly comprises a manifold configured to provide an orifice for said signal to escape said weapon.

20. The weapon system as recited in claim **11** wherein said signal cartridge assembly comprises an orifice seal configured to close said orifice prior to firing said signal cartridge.

* * * * *