



US00D870528S

(12) **United States Design Patent**  
**Lipscomb et al.**

(10) **Patent No.:** **US D870,528 S**

(45) **Date of Patent:** **\*\* Dec. 24, 2019**

- (54) **HAND DRILL**
- (71) Applicant: **Fiskars Brands, Inc.**, Middleton, WI (US)
- (72) Inventors: **Daniel Lipscomb**, Prairie Du Sac, WI (US); **Emery Weber**, Madison, WI (US); **Stephen Dechant**, Waunakee, WI (US); **Rachel Belter**, Madison, WI (US)
- (73) Assignee: **Fiskars Finland Oy Ab**, Helsinki (FI)
- (\*\*) Term: **15 Years**
- (21) Appl. No.: **29/646,209**
- (22) Filed: **May 2, 2018**
- (51) **LOC (12) Cl.** ..... **08-05**
- (52) **U.S. Cl.**  
USPC ..... **D8/59**
- (58) **Field of Classification Search**  
USPC ..... D8/14.1, 59, 61, 64, 67, 68, 82;  
D15/132, 144, 144.1, 144.2  
CPC .... B23B 45/008; F16H 3/30; Y10T 74/19307  
See application file for complete search history.

|              |         |               |       |         |
|--------------|---------|---------------|-------|---------|
| D461,383 S * | 8/2002  | Blackburn     | ..... | D8/29.1 |
| D472,015 S * | 3/2003  | Young         | ..... | D28/13  |
| D522,413 S * | 6/2006  | Okada         | ..... | D12/123 |
| D529,212 S * | 9/2006  | Yuen          | ..... | D26/37  |
| D536,813 S * | 2/2007  | Yuen          | ..... | D26/38  |
| D544,147 S * | 6/2007  | Baudouin      | ..... | D28/13  |
| D557,354 S * | 12/2007 | Berger        | ..... | D21/533 |
| D581,590 S * | 11/2008 | Leung         | ..... | D28/13  |
| D603,671 S * | 11/2009 | Tippmann, Sr. | ..... | D8/59   |
| D649,711 S * | 11/2011 | Strollo       | ..... | D28/13  |
| D651,342 S * | 12/2011 | Kim           | ..... | D28/13  |
| D698,311 S * | 1/2014  | Salzman       | ..... | D13/108 |
| D775,417 S * | 12/2016 | Cho           | ..... | D28/13  |
| D822,562 S * | 7/2018  | Burch, V      | ..... | D12/179 |
| D838,301 S * | 1/2019  | Prikler       | ..... | D15/144 |
| D854,243 S * | 7/2019  | Parodi        | ..... | D28/13  |

\* cited by examiner

*Primary Examiner* — Patricia A Palasik  
(74) *Attorney, Agent, or Firm* — Leason Ellis LLP

(57) **CLAIM**

We claim the ornamental design for a hand drill, as shown and described.

**DESCRIPTION**

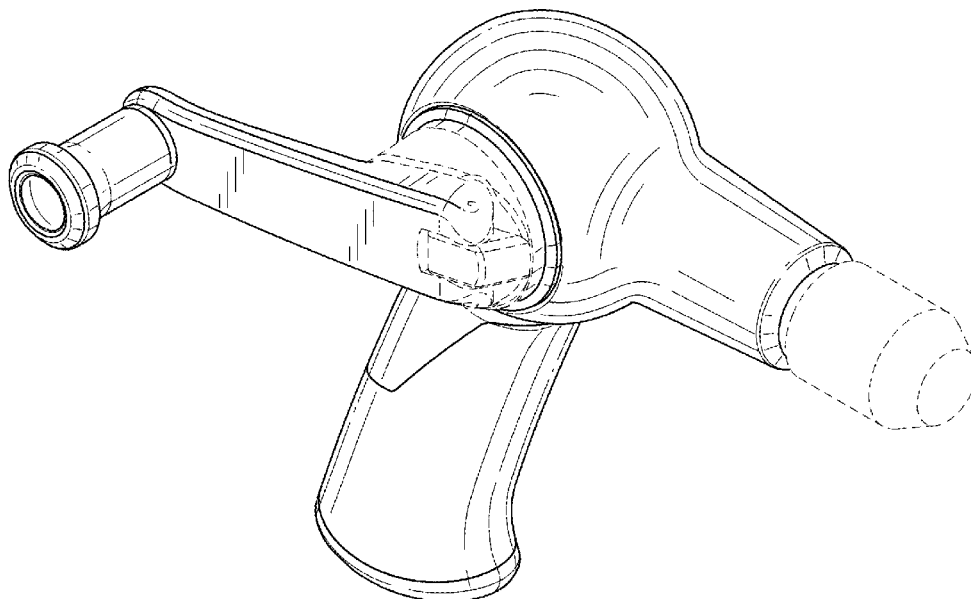
FIG. 1 is a top, front, left perspective view of the claimed design;  
 FIG. 2 is a left side elevation view thereof;  
 FIG. 3 is a front elevation view thereof;  
 FIG. 4 is a rear elevation view thereof;  
 FIG. 5 is a right side elevation view thereof;  
 FIG. 6 is a top plan view thereof; and,  
 FIG. 7 is a bottom plan view thereof.  
 The broken lines in the drawings depict portions of the hand drill which form no part of the claimed design. Broken lines formed by equal length dashes show unclaimed subject matter. Broken lines formed by unequal length dashes (i.e., dash-dot) define bounds of the claimed design.

**1 Claim, 6 Drawing Sheets**

(56) **References Cited**

U.S. PATENT DOCUMENTS

|              |         |              |       |         |
|--------------|---------|--------------|-------|---------|
| D125,776 S * | 3/1941  | Rundt        | ..... | D8/59   |
| D134,362 S * | 11/1942 | Hellman      | ..... | D8/59   |
| D140,811 S * | 4/1945  | Collura      | ..... | D8/59   |
| D149,776 S * | 5/1948  | Marienthal   | ..... | D8/59   |
| D149,843 S * | 6/1948  | Ruger        | ..... | D8/59   |
| D263,427 S * | 3/1982  | McBrien      | ..... | D28/13  |
| D272,283 S * | 1/1984  | Antonacci    | ..... | D28/13  |
| D353,224 S * | 12/1994 | Rizzuto, Jr. | ..... | D28/13  |
| D359,579 S * | 6/1995  | Mattis       | ..... | D28/13  |
| D369,965 S * | 5/1996  | Decursu      | ..... | D8/308  |
| D369,967 S * | 5/1996  | Decursu      | ..... | D12/179 |
| D374,743 S * | 10/1996 | Viemeister   | ..... | D28/13  |



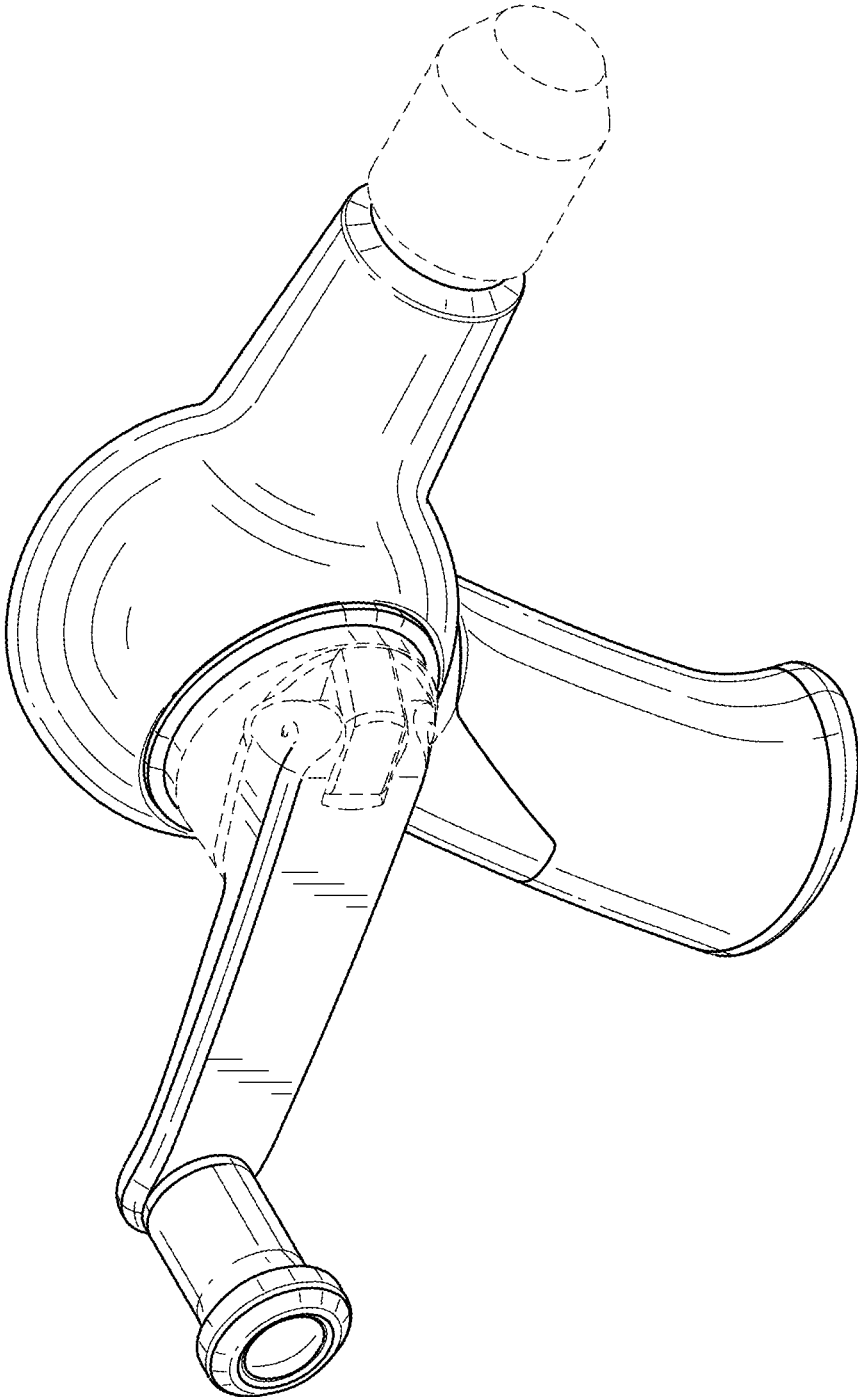


FIG. 1

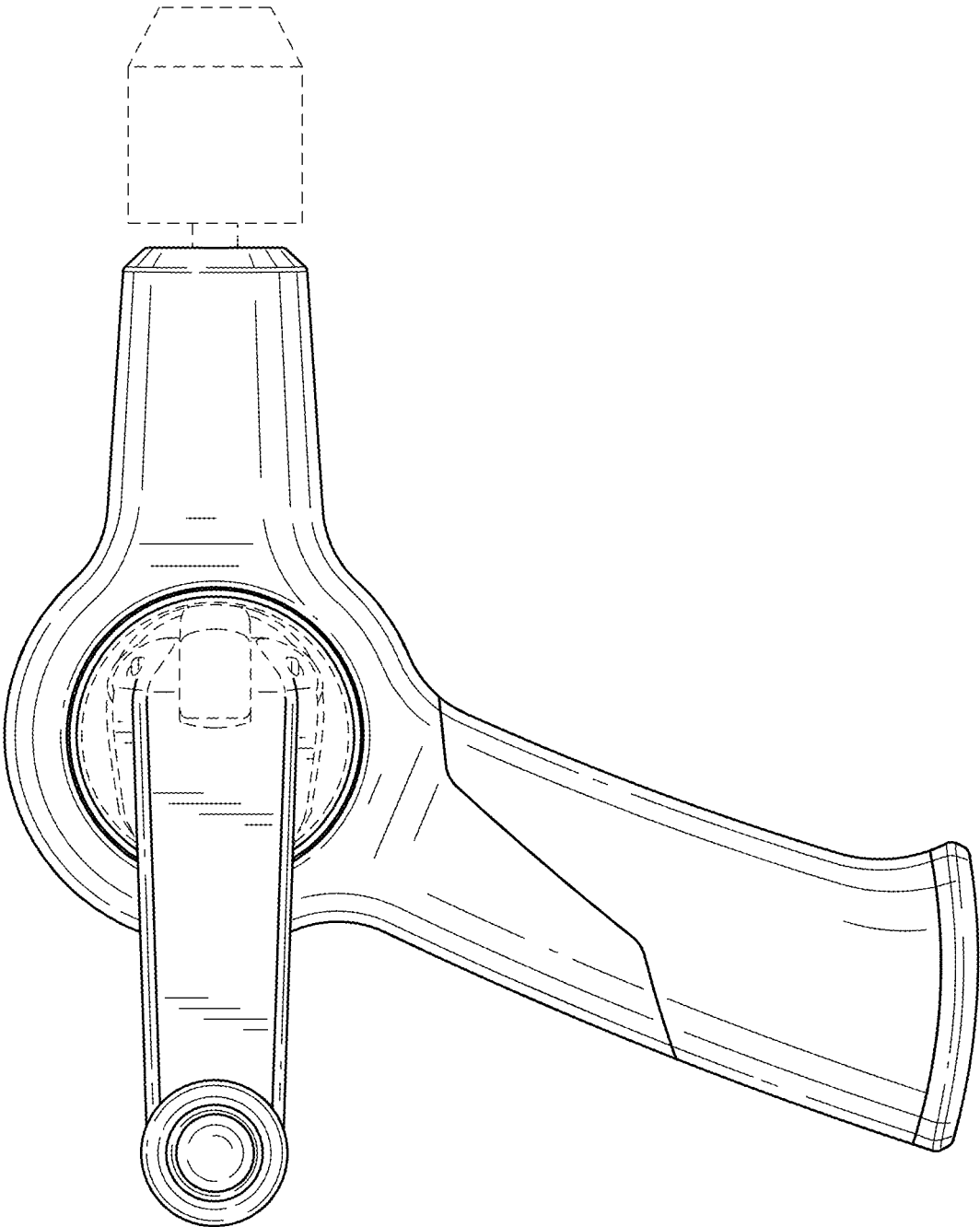


FIG. 2

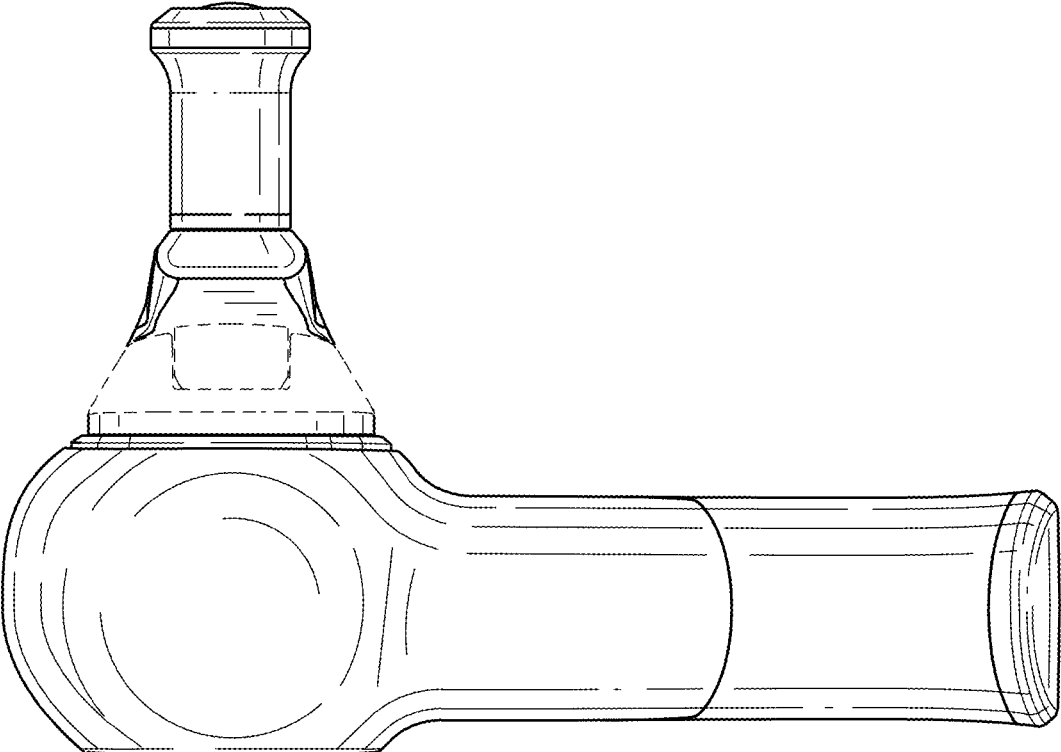


FIG. 4

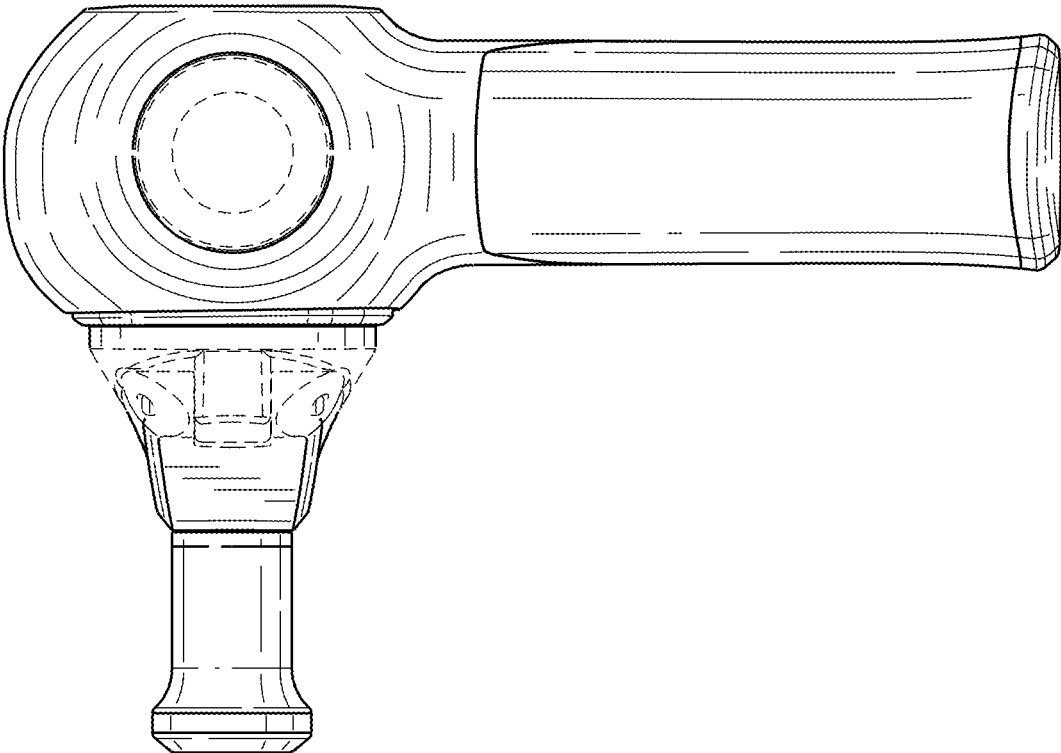


FIG. 3

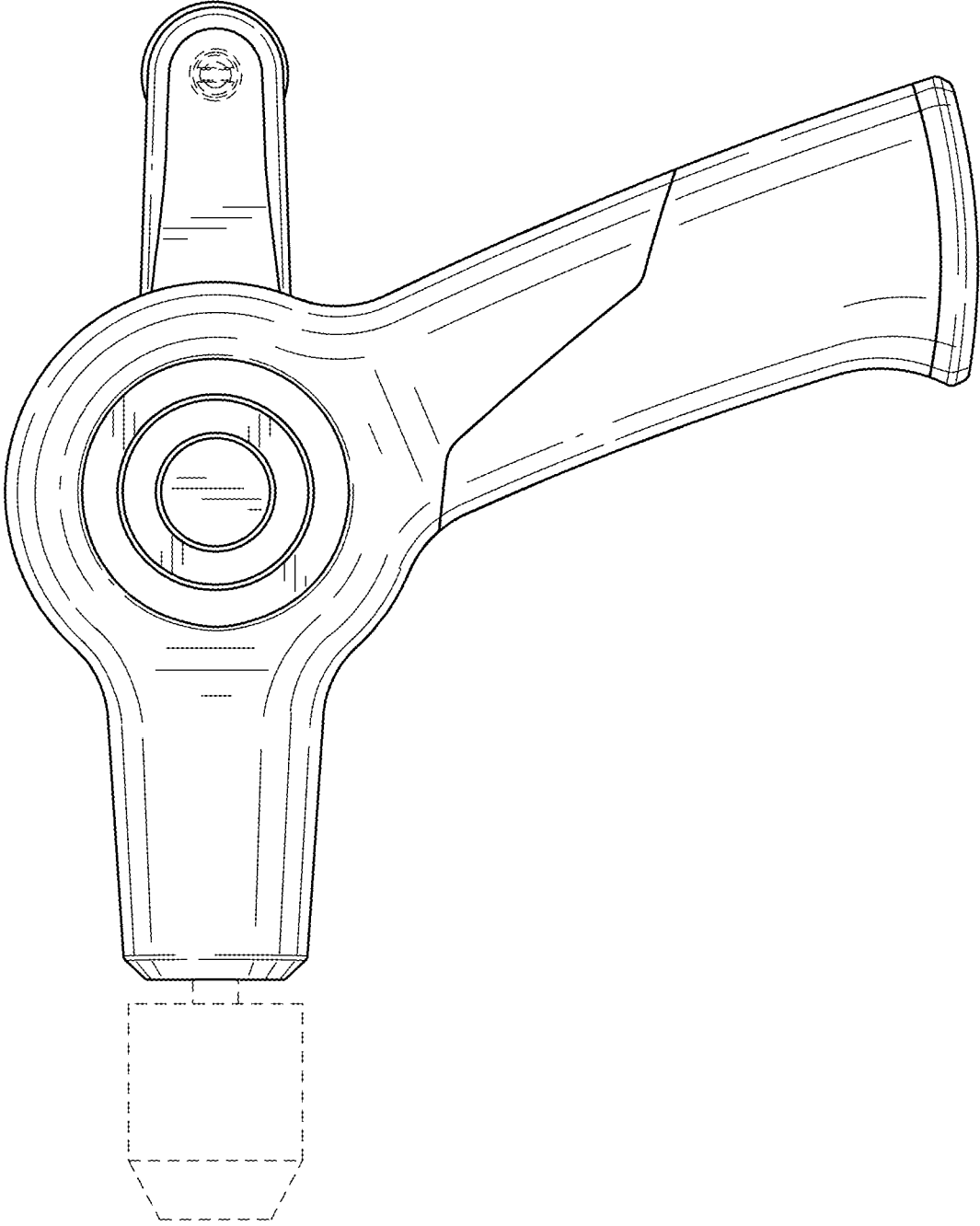


FIG. 5

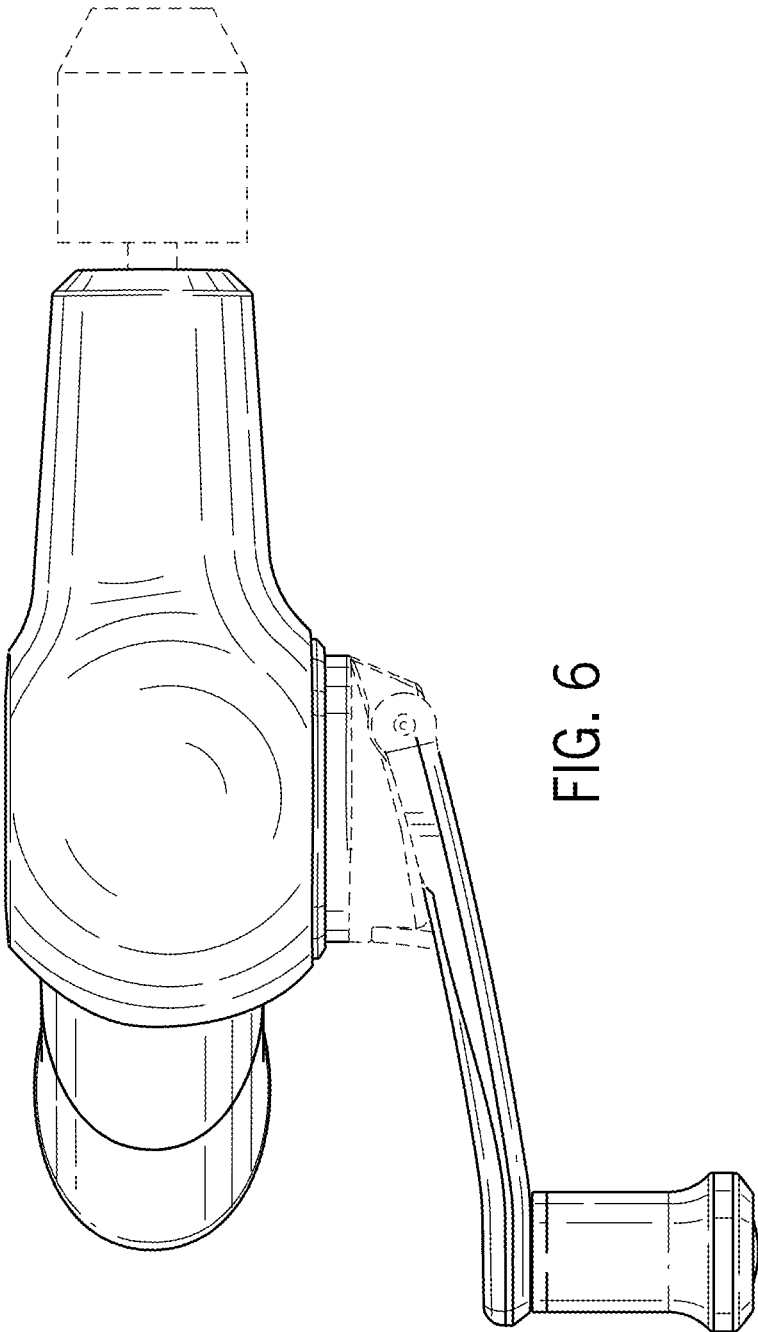


FIG. 6

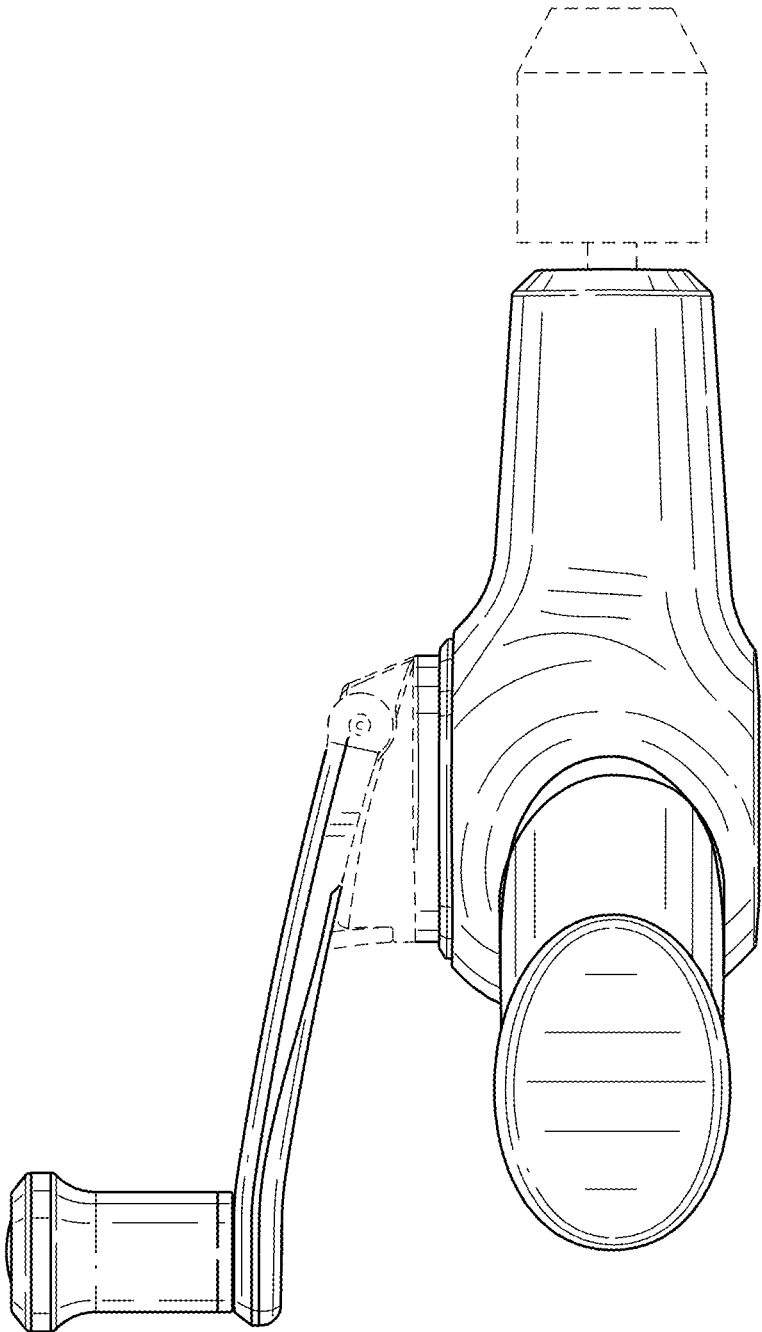


FIG. 7