



US005941900A

# United States Patent [19] Bonutti

[11] Patent Number: **5,941,900**  
[45] Date of Patent: **\*Aug. 24, 1999**

[54] **METHOD AND APPARATUS FOR ANCHORING A SUTURE**

[76] Inventor: **Peter M. Bonutti**, 1303 W. Evergreen Plz., Effingham, Ill. 62401

[\*] Notice: This patent is subject to a terminal disclaimer.

[21] Appl. No.: **08/929,168**

[22] Filed: **Sep. 12, 1997**

### Related U.S. Application Data

[60] Continuation of application No. 08/667,549, Jun. 21, 1996, Pat. No. 5,733,306, which is a division of application No. 08/452,310, May 26, 1995, Pat. No. 5,584,862, which is a division of application No. 08/291,970, Aug. 17, 1994, Pat. No. 5,549,630, which is a continuation-in-part of application No. 08/062,295, May 14, 1993, Pat. No. 5,403,348.

[51] **Int. Cl.<sup>6</sup>** ..... **A61B 17/04**  
[52] **U.S. Cl.** ..... **606/232**  
[58] **Field of Search** ..... 606/232, 72, 220, 606/77, 144; 128/898

### [56] References Cited

#### U.S. PATENT DOCUMENTS

4,409,974	10/1983	Freedland	606/232
4,448,194	5/1984	DiGiovanni et al.	606/232
4,669,473	6/1987	Richards et al.	606/232
4,741,330	5/1988	Hayhurst	606/232
4,750,492	6/1988	Jacobs	606/232
4,823,794	4/1989	Pierce	
4,898,156	2/1990	Gattorna et al.	
4,968,315	11/1990	Gattorna	
5,009,663	4/1991	Broome	
5,037,422	8/1991	Hayhurst et al.	
5,041,129	8/1991	Hayhurst et al.	
5,046,513	9/1991	Gattorna et al.	
5,053,047	10/1991	Yoon	

5,100,417	3/1992	Cerier et al.	
5,102,421	4/1992	Anspach, Jr.	
5,123,914	6/1992	Cope	
5,141,520	8/1992	Goble et al.	
5,156,616	10/1992	Meadows et al.	
5,176,682	1/1993	Chow	
5,203,787	4/1993	Noblitt et al.	
5,324,308	6/1994	Pierce	
5,403,348	4/1995	Bonutti	
5,405,359	4/1995	Bonutti	
5,522,846	6/1996	Bonutti	

### FOREIGN PATENT DOCUMENTS

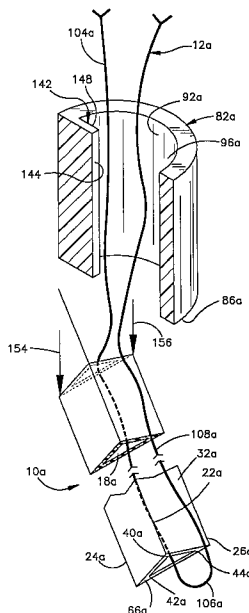
1903016 8/1970 Germany

*Primary Examiner*—Gary Jackson  
*Attorney, Agent, or Firm*—Tarolli, Sundheim, Covell, Tummino & Szabo

### [57] ABSTRACT

A tubular anchor may have a polygonal cross-sectional configuration with flat outer side surfaces areas connected by a plurality of outer corner portions. A passage through the anchor may be formed by flat inner side surfaces interconnected by inner corner portions. A suture is inserted through the passage. A concentrated force may be applied against a limited area on a trailing end of the anchor to rotate the anchor to move an outer corner portion of the anchor into engagement with body tissue. The suture may engage an inner corner portion of the anchor. The suture may be inserted through a plurality of anchors and the anchors moved through a tubular member into the body tissue under the influence of force transmitted from a trailing anchor to a leading anchor. When the leading anchor is moved into the body tissue, it is rotated under the influence of force applied against a trailing end of the leading anchor. If desired, two anchors may be interconnected. A groove may advantageously be provided along the leading end and side of an anchor to receive the suture.

**38 Claims, 10 Drawing Sheets**





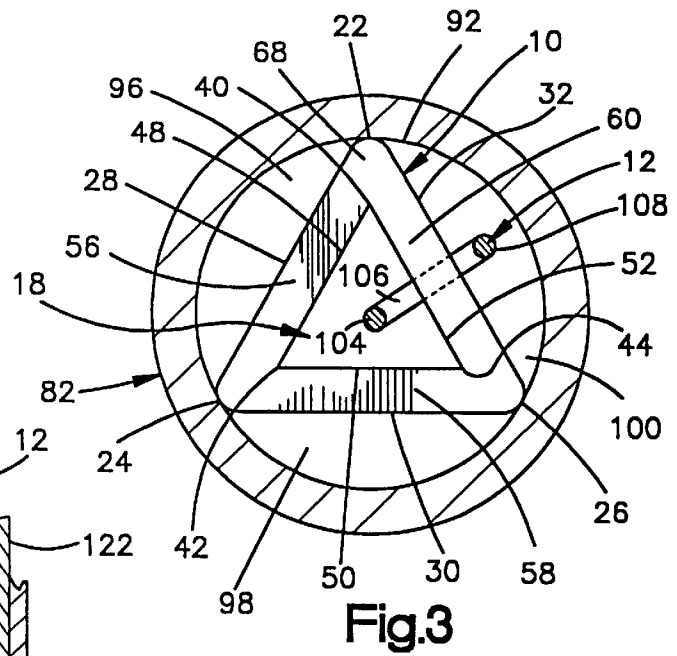


Fig.3

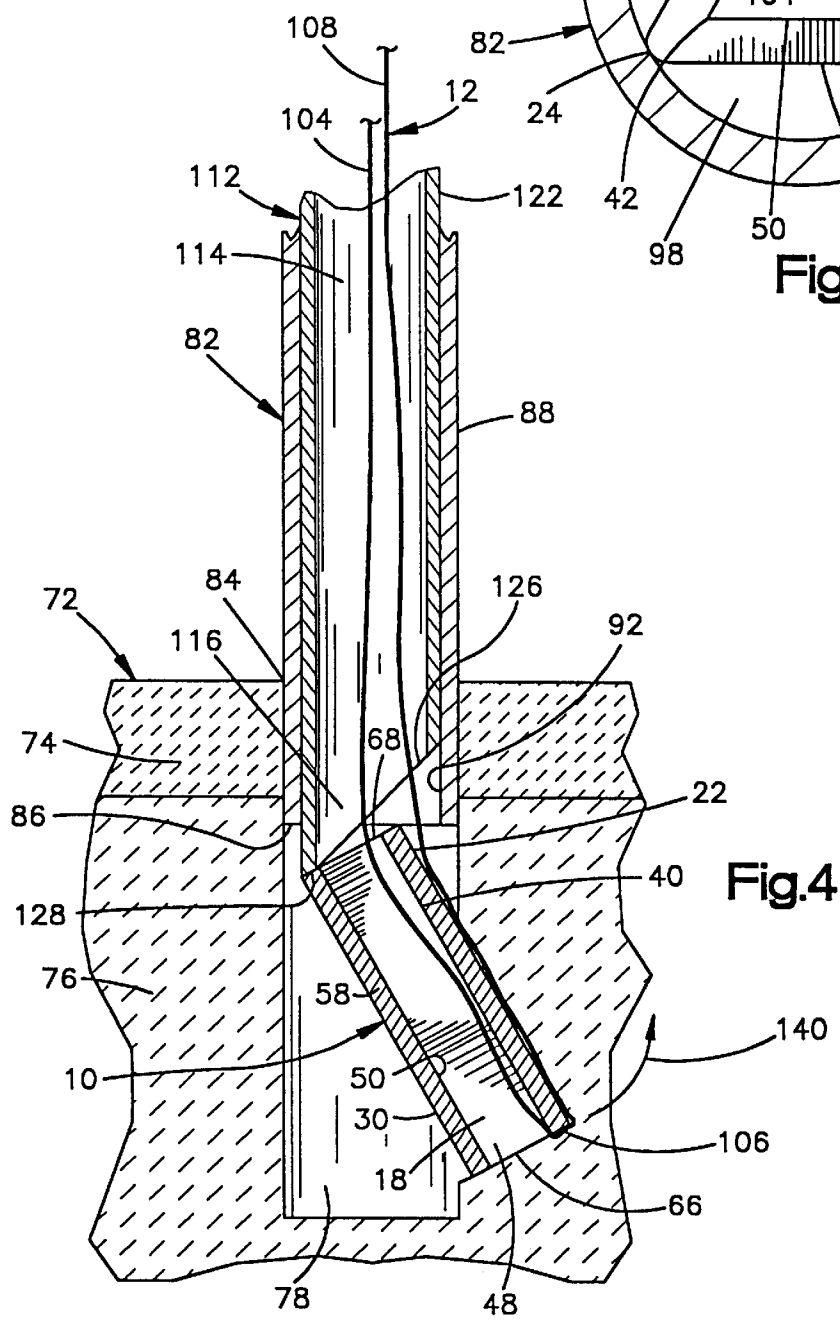
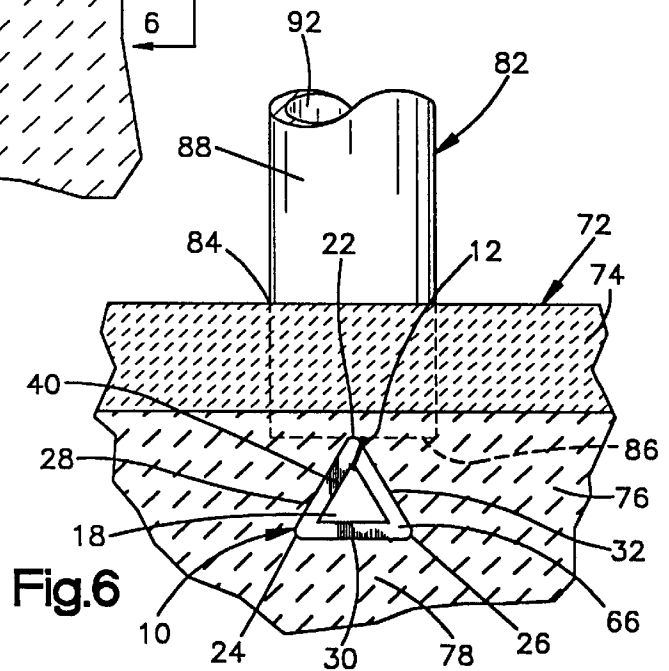
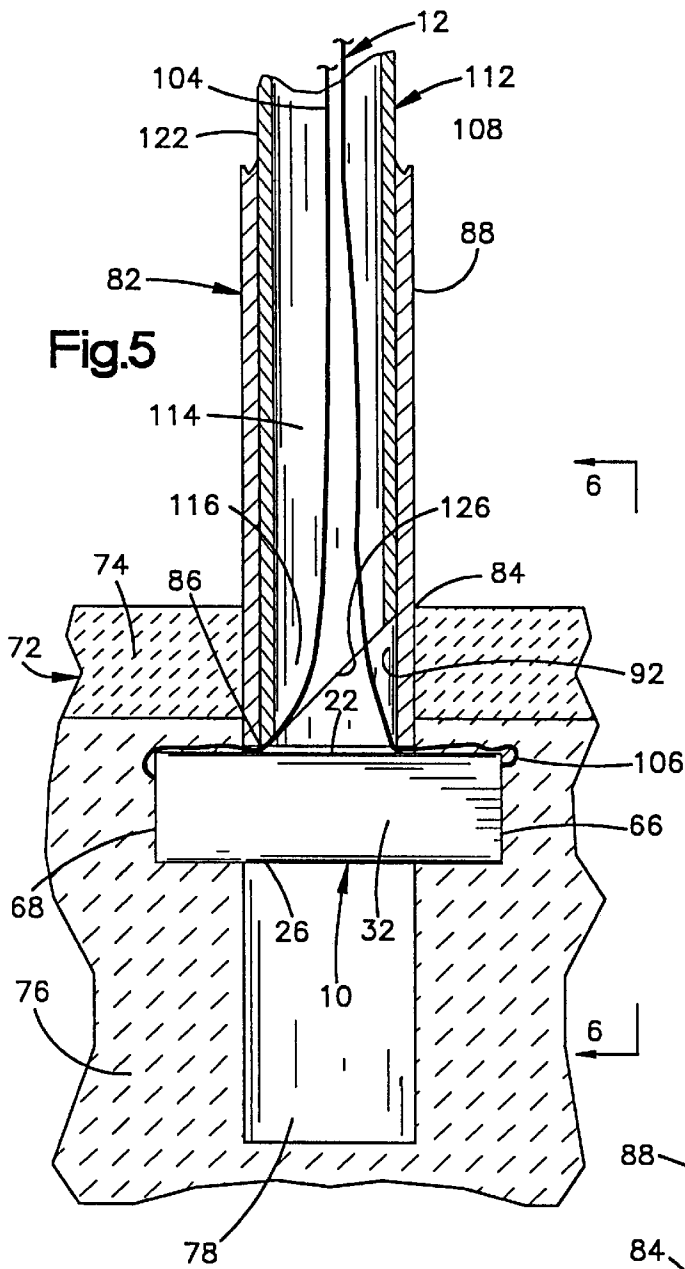
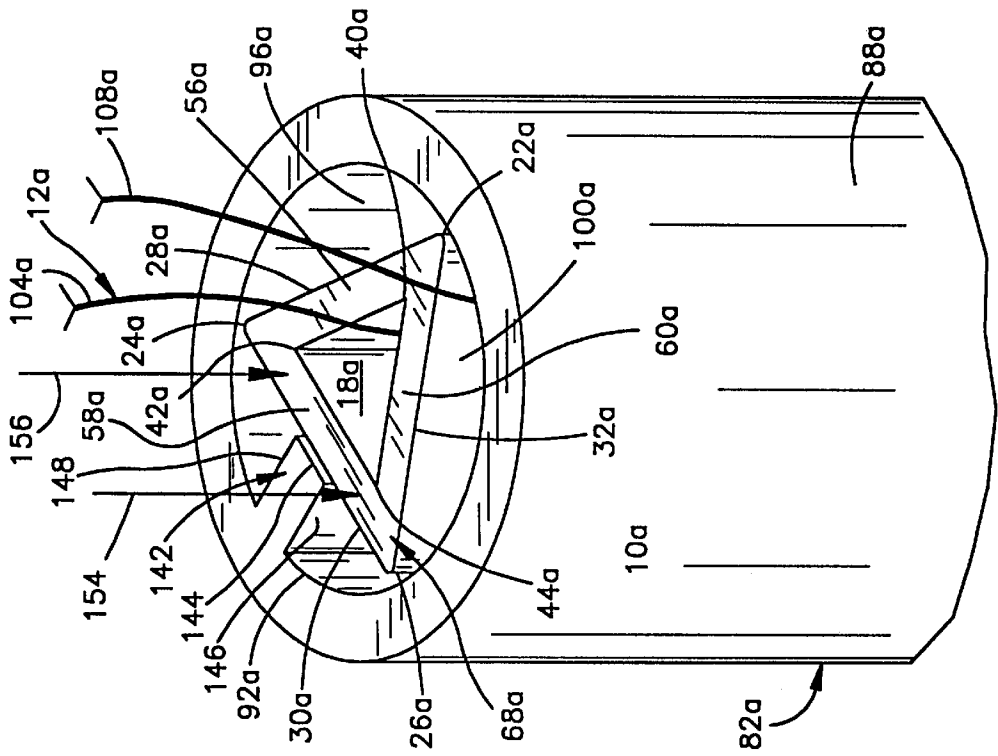
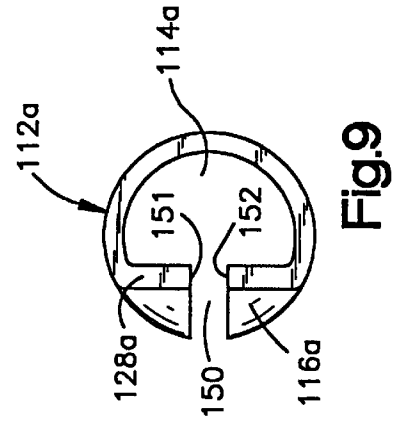
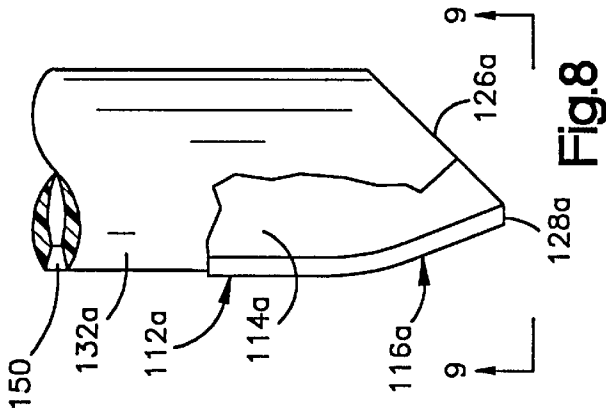


Fig.4





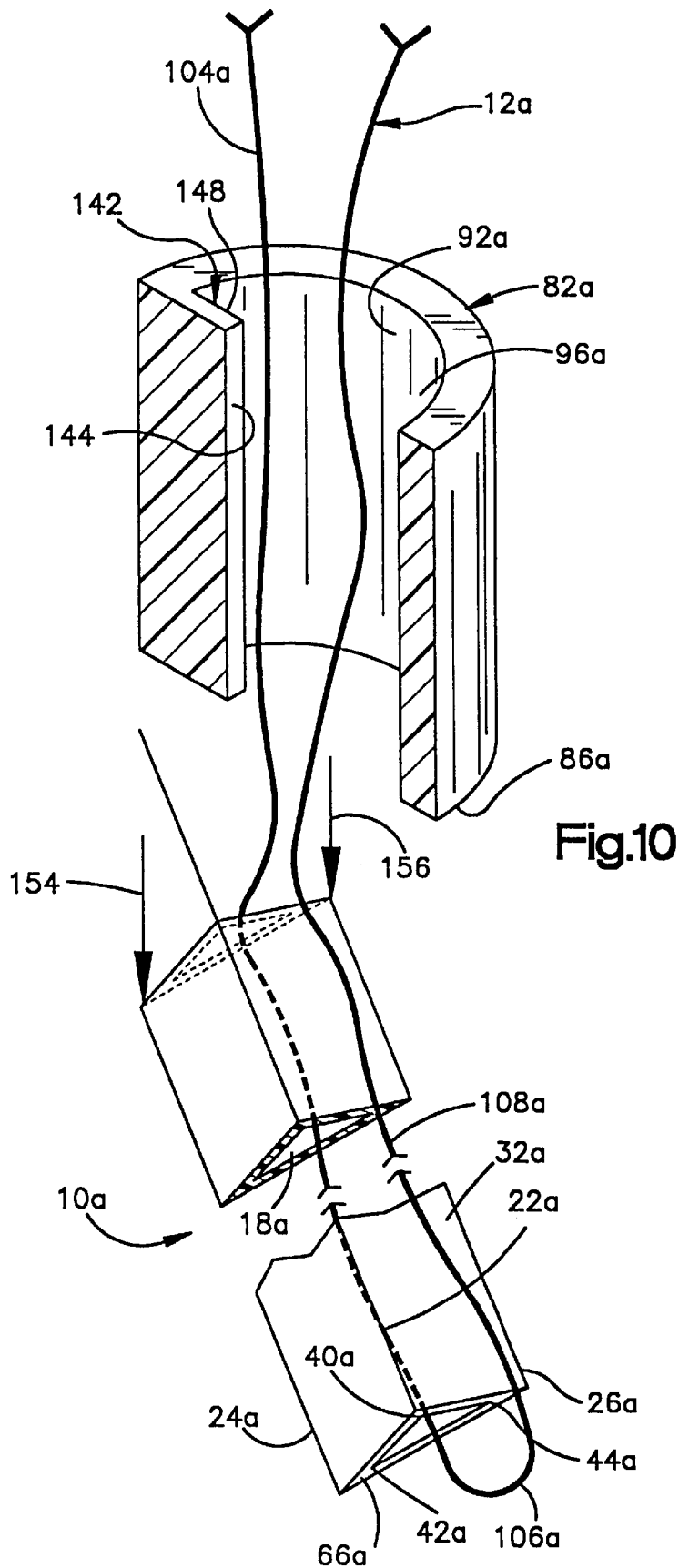
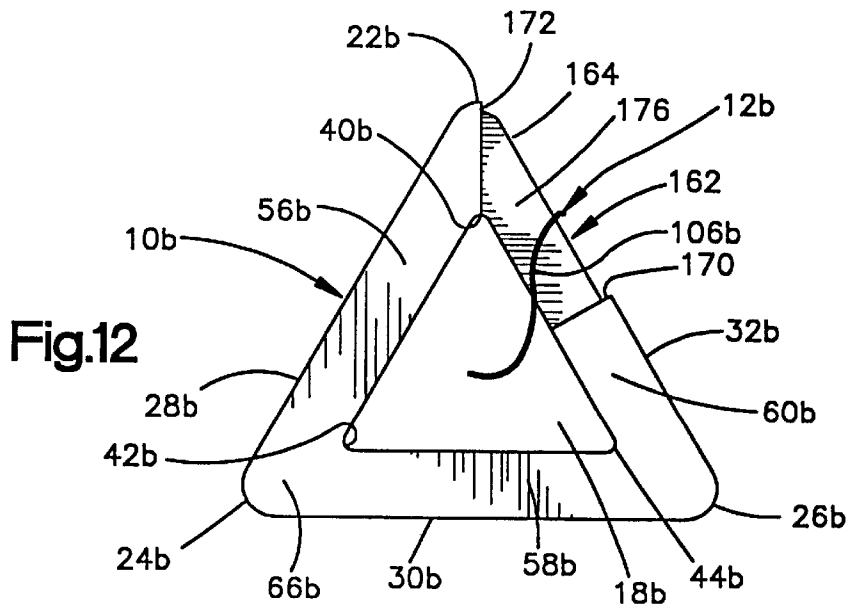
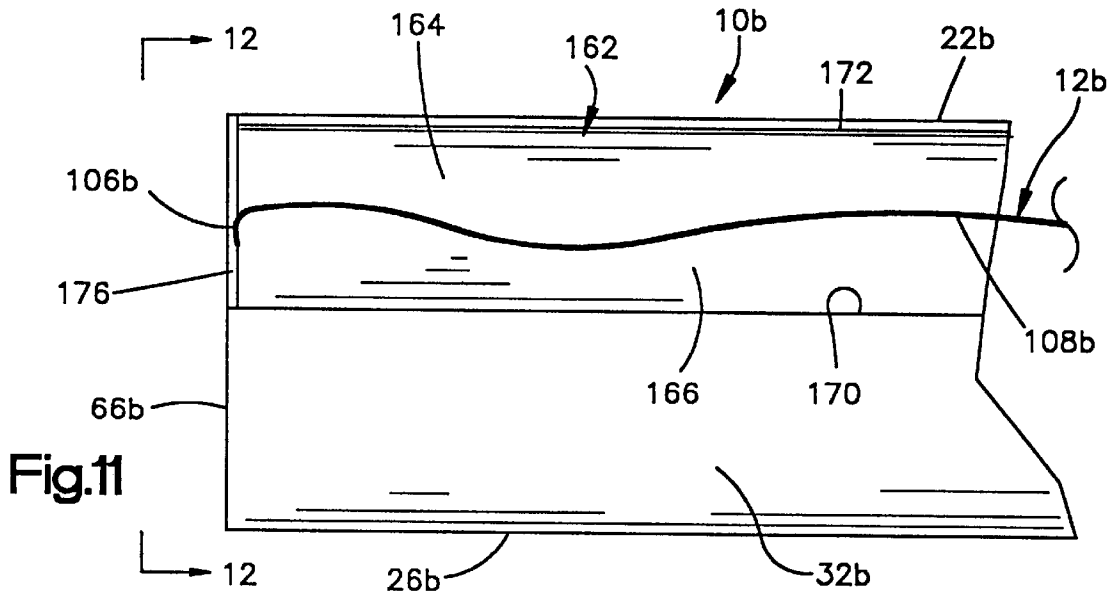
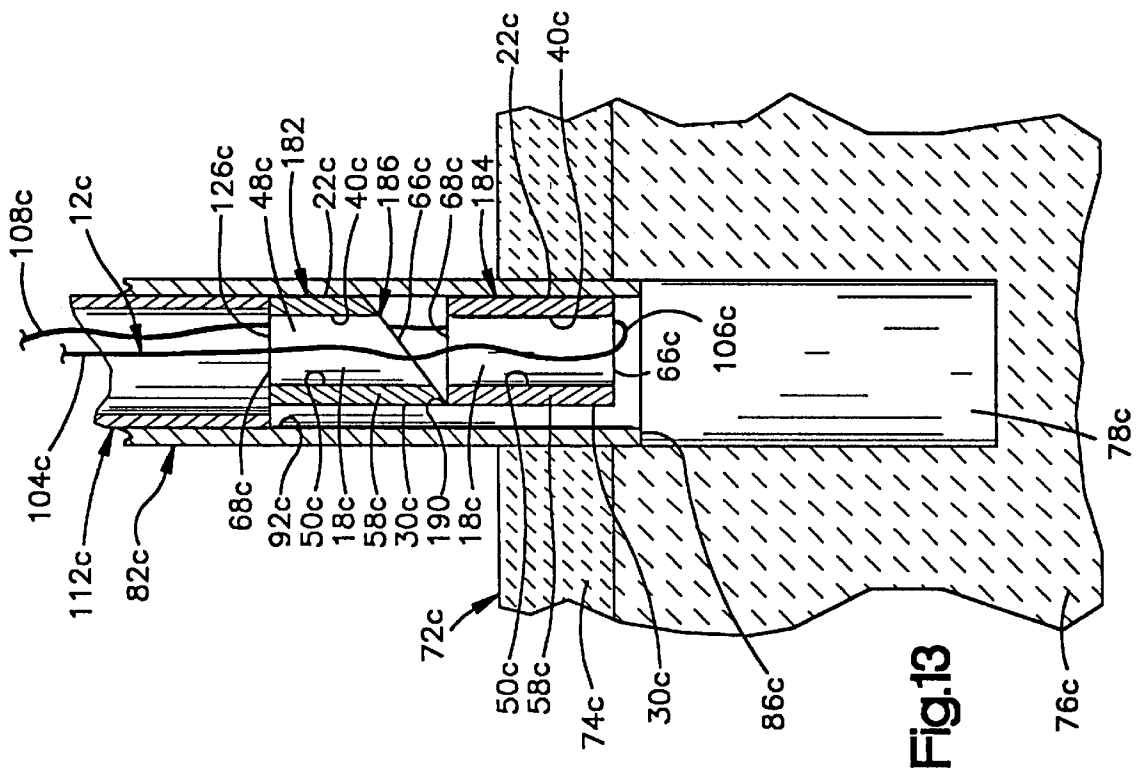
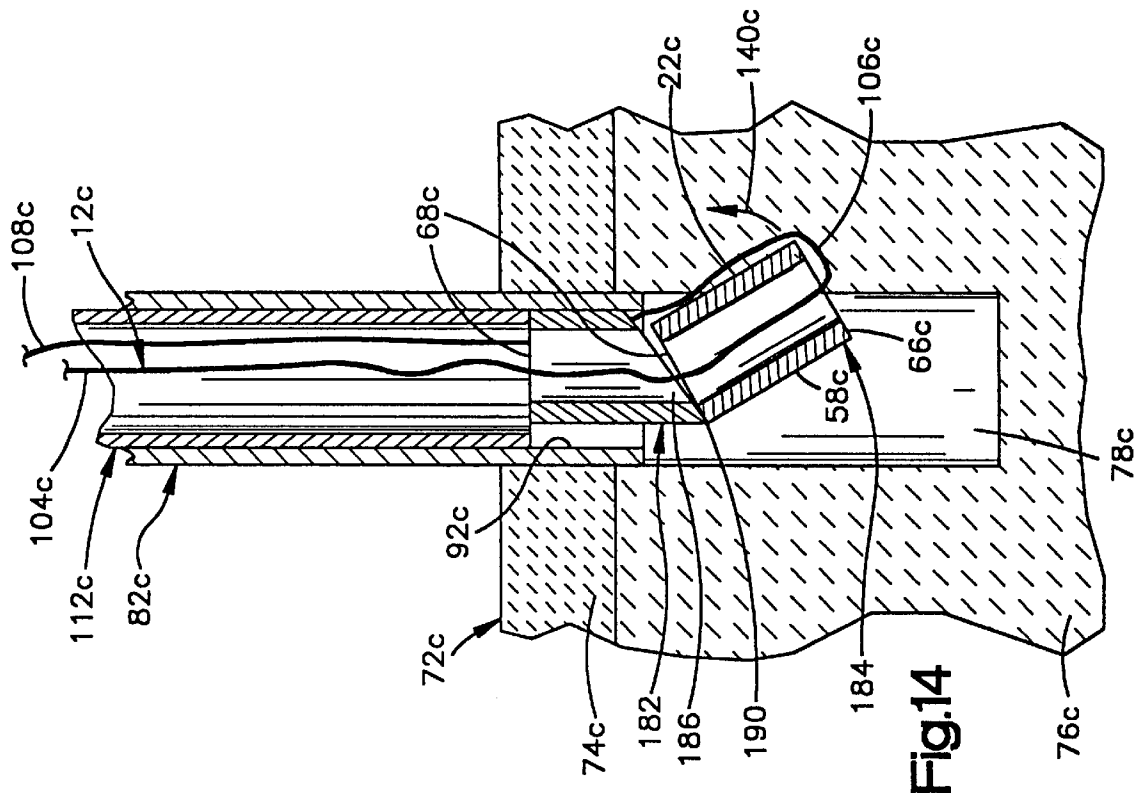


Fig.10







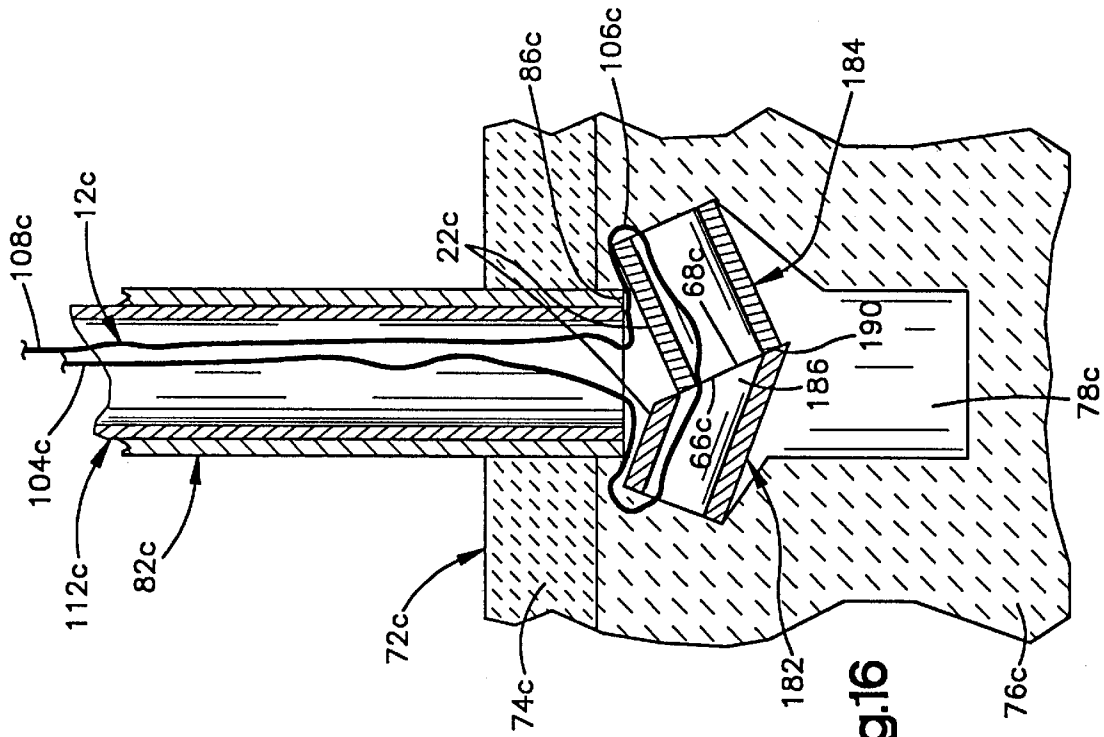


Fig.16

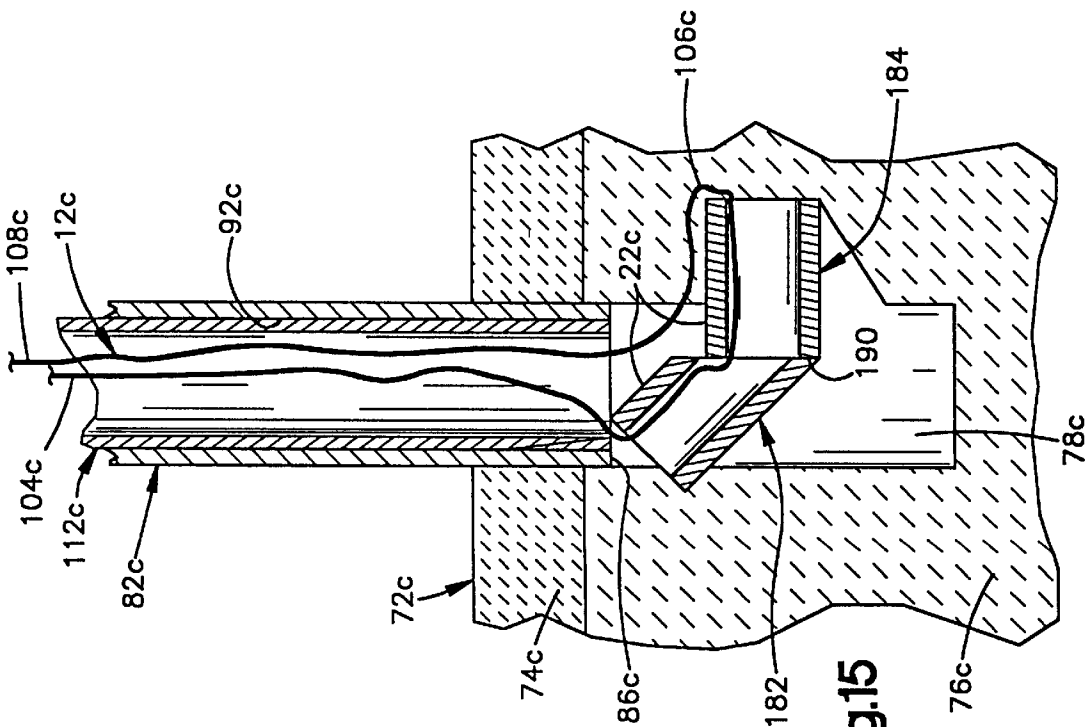


Fig.15

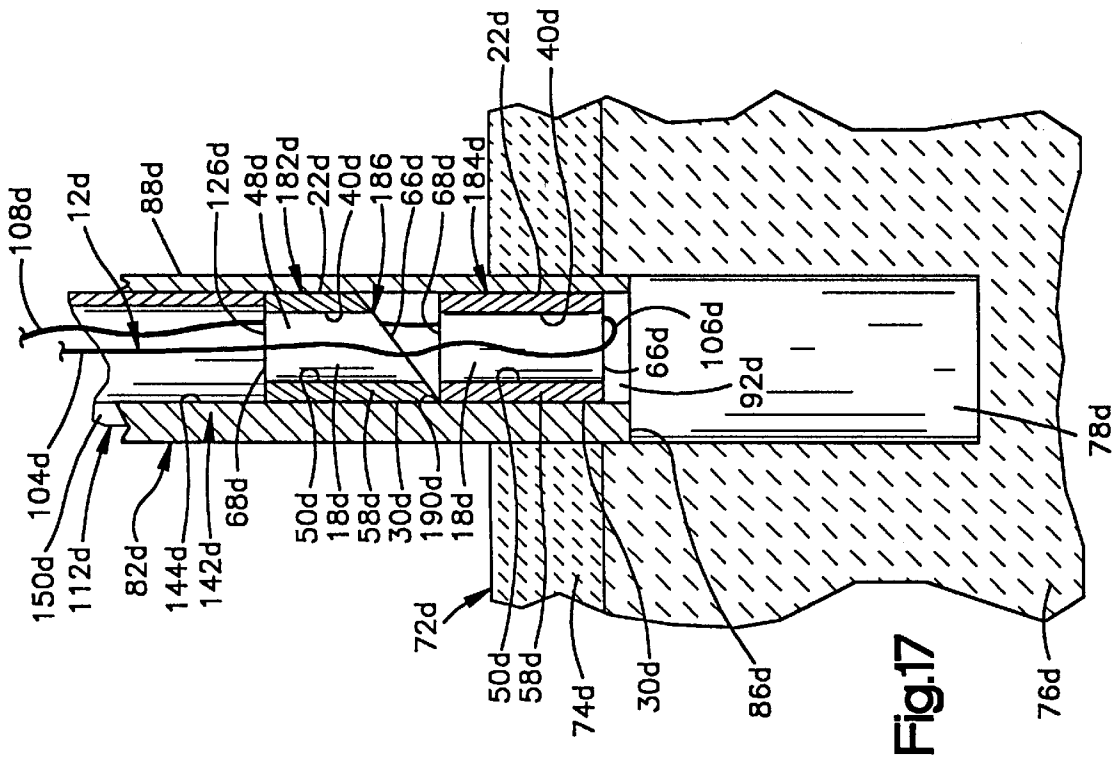


Fig.17

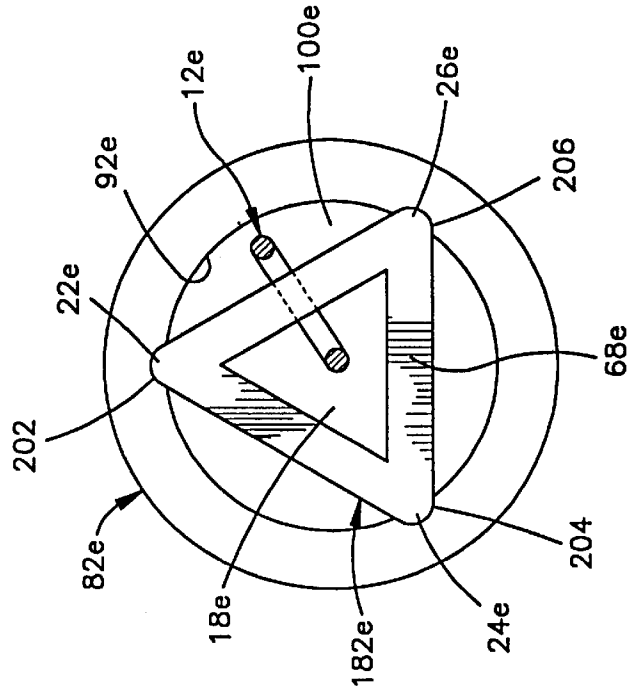


Fig.18

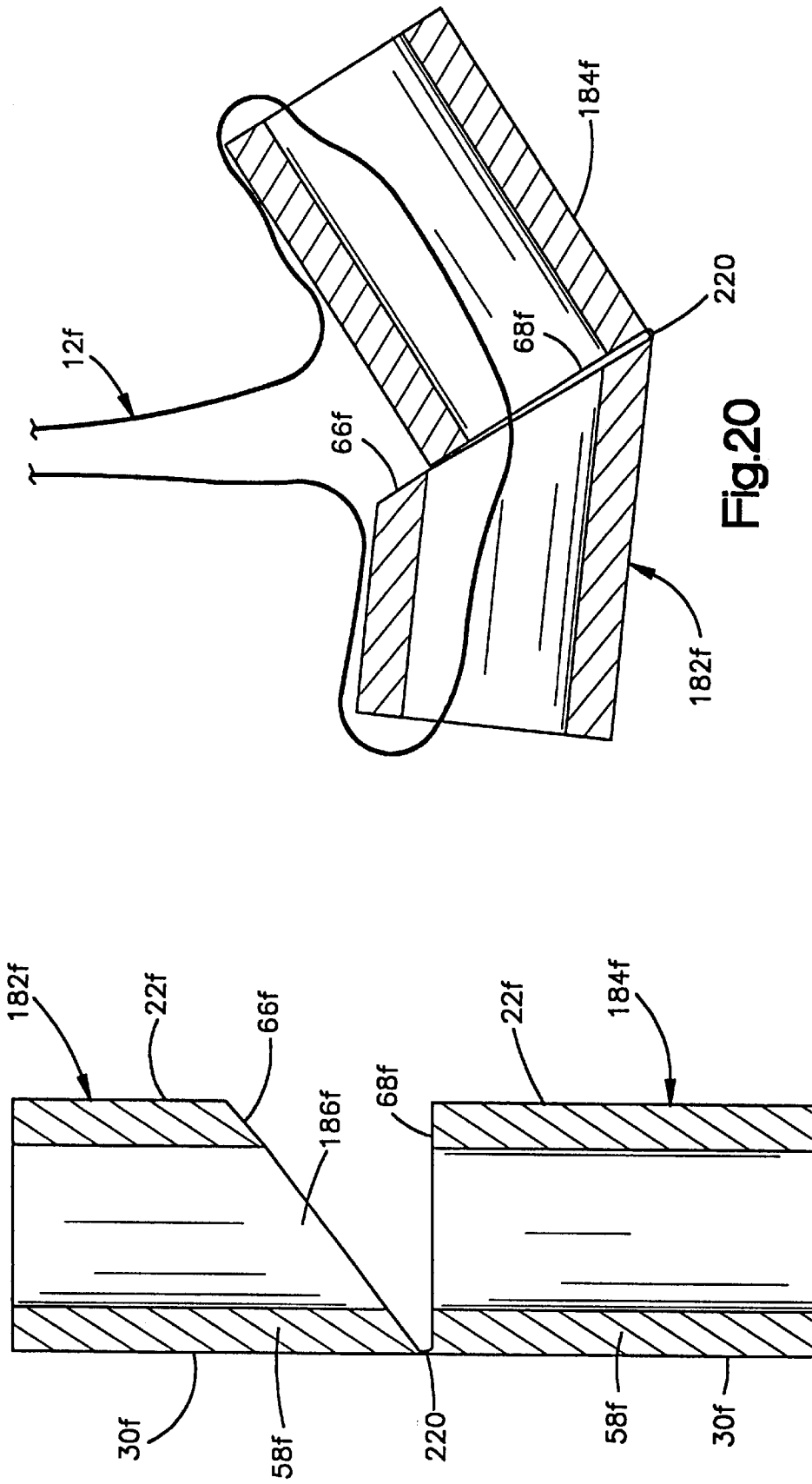


Fig.20

Fig.19

## METHOD AND APPARATUS FOR ANCHORING A SUTURE

### RELATED APPLICATIONS

This application is a continuation of U.S. patent application Ser. No. 08/667,549 filed Jun. 21, 1996 (now U.S. Pat. No. 5,733,306). The aforementioned application Ser. No. 08/667,549 is itself a divisional of U.S. patent application Ser. No. 08/452,310 filed May 26, 1995 and issued as U.S. Pat. No. 5,584,862 on Dec. 17, 1996. The aforementioned application Ser. No. 08/453,310 is itself a divisional of U.S. patent application Ser. No. 08/291,970 filed Aug. 17, 1994 and issued as U.S. Pat. No. 5,549,630. The aforementioned application Ser. No. 08/291,970 is itself a continuation-in-part of U.S. patent application Ser. No. 08/062,295 filed May 14, 1993 and issued as U.S. Pat. No. 5,403,348. The benefit, under Title 35 United States Code, §120, of the aforementioned applications is hereby claimed.

### BACKGROUND OF THE INVENTION

The present invention relates to a new and improved anchor and to a new and improved method of using one or more anchors to secure a suture in body tissue.

A known anchor and method of securing a suture in body tissue is disclosed in U.S. Pat. No. 5,041,129 issued Aug. 20, 1991. This patent discloses the use of a hollow outer needle or tube in which an anchor and pusher tube are received. A suture extends through the pusher tube and anchor. Force is applied against a trailing end of the anchor by the pusher tube to move the anchor through the hollow outer needle or tube into body tissue. Other known anchors for use in securing a suture in body tissue are disclosed in U.S. Pat. No. 5,176,682 issued Jan. 5, 1993, U.S. Pat. No. 4,968,315 issued Nov. 6, 1990 and U.S. Pat. No. 4,741,330 issued May 3, 1988.

### SUMMARY OF THE INVENTION

An improved suture anchor has a polygonal cross-sectional configuration with an outer side which is formed by a plurality of flat side surface areas which are interconnected by outer corner portions. The anchor has a passage formed by a plurality of flat inner side surface areas which are interconnected by a plurality of inner corner portions. A suture is engageable with one of the inner corner portions to urge an outer corner portion of the anchor into engagement with body tissue. A groove may be provided in the end and/or outer side of the anchor to receive the suture.

A plurality of anchors having the configuration of the improved anchor described above or a different configuration may be used to anchor a suture. When a plurality of anchors are used, the suture is inserted through each of the anchors and the anchors are sequentially moved into the body tissue. As a leading anchor is moved into the body tissue, the suture is tensioned to move a corner portion on the leading anchor into engagement with the body tissue. A connector may be provided between each anchor.

### BRIEF DESCRIPTION OF THE DRAWINGS

The foregoing and other features of the invention will become more apparent upon a consideration of the following description taken in connection with the accompanying drawings, wherein:

FIG. 1 is a fragmentary pictorial illustration depicting the relationship between an anchor constructed in accordance with one of the features of the present invention and a suture;

FIG. 2 is a fragmentary sectional view, illustrating a method in accordance with another feature of the invention and by which the anchor of FIG. 1 is moved into body tissue;

FIG. 3 is an enlarged sectional view, taken generally along the line 3—3 of FIG. 2, illustrating the relationship of the anchor to a tubular guide member and to a suture;

FIG. 4 is a fragmentary sectional view, taken along the line 4—4 of FIG. 2, illustrating the manner in which force is concentrated against a trailing end portion of the anchor by a pusher member to promote rotational movement of the anchor relative to body tissue;

FIG. 5 is a fragmentary sectional view, generally similar to FIG. 4, illustrating the manner in which the suture is tensioned to urge a corner portion of the anchor into engagement with body tissue;

FIG. 6 is a fragmentary sectional view taken generally along the line 6—6 of FIG. 5, further illustrating the relationship between the corner portion of the anchor, the body tissue and the tubular guide member;

FIG. 7 is a schematicized fragmentary pictorial view illustrating the relationship of the anchor of FIG. 1 to an embodiment of the tubular guide member having a locating surface which positions the anchor in a desired orientation relative to the tubular guide member;

FIG. 8 is a fragmentary cross-sectional view illustrating the construction of a pusher member used with the tubular guide member of FIG. 7;

FIG. 9 is an end view, taken generally along the line 9—9 of FIG. 8, further illustrating the construction of the pusher member;

FIG. 10 is a schematicized cross-sectional view, illustrating the relationship of the anchor to the tubular guide member of FIG. 7 as the anchor moves out of the tubular guide member into body tissue;

FIG. 11 is a side elevational view of an embodiment of the anchor of FIG. 1 having a groove to receive the suture;

FIG. 12 is an end view, taken generally along the line 12—12 of FIG. 11, further illustrating the construction of the groove and the relationship of the suture to the groove;

FIG. 13 is a fragmentary sectional view, generally similar to FIG. 2, illustrating the manner in which a suture extends through a plurality of anchors and the plurality of anchors are moved through a tubular member into body tissue;

FIG. 14 is a fragmentary sectional view, generally similar to FIG. 13, illustrating the manner in which a leading anchor of the plurality of anchors is rotated relative to a trailing anchor as the leading anchor moves out of the tubular member;

FIG. 15 is a fragmentary sectional view, generally similar to FIG. 14, illustrating the manner in which the trailing anchor moves out of the tubular member;

FIG. 16 is a fragmentary sectional view, generally similar to FIG. 15, illustrating the manner in which the leading and trailing anchors are urged into engagement with body tissue by tensioning of the suture;

FIG. 17 is a fragmentary sectional view, generally similar to FIG. 13, illustrating the manner in which a plurality of anchors cooperate with a tubular guide member having the same construction as the tubular guide member of FIG. 7;

FIG. 18 is an enlarged sectional view, generally similar to FIG. 3, illustrating the manner in which an anchor engages longitudinally extending grooves inside a tubular guide member;

FIG. 19 is an enlarged sectional view illustrating the relationship between a pair of anchors which are interconnected by a connector section; and

FIG. 20 is a schematicized illustration depicting the manner in which the connector section is resiliently deformed by tensioning the suture to urge the anchors into engagement with body tissue in a manner similar to that illustrated in FIG. 16.

#### DESCRIPTION OF SPECIFIC PREFERRED EMBODIMENTS OF THE INVENTION

##### Anchor

An anchor 10 (FIG. 1) constructed in accordance with one of the features of the present invention may be used to secure a suture 12 in hard or soft body tissue. The anchor 10 has a tubular wall 13 with an outer side 14 and an inner side 16. The inner side 16 defines a passage 18 which extends through the anchor 10.

The outer side 14 of the tubular wall 13 has a polygonal cross-sectional configuration. Thus, the outer side 14 of the anchor 10 includes a plurality of longitudinally extending outer corner portions 22, 24, and 26. The outer corner portions 22, 24 and 26 are linear and interconnect a plurality of flat rectangular outer side surface areas 28, 30, and 32.

In the specific preferred embodiment of the anchor 10 illustrated in FIG. 1, the tubular wall 13 has an equilateral triangular cross-sectional configuration and forms a hollow prism. Therefore, the angles between the outer side surface areas 28, 30 and 32 at each of the corner portions 22, 24 and 26 is the same, that is, an angle of 120°. It should be understood that the outer side 14 of the anchor 10 could have a different configuration if desired.

For example, the outer side 14 of the anchor 10 could have a cross-sectional configuration corresponding to the configuration of a segment of a circle. An anchor 10 with an outside surface with such a configuration would have a pair of flat rectangular outer side surface areas. These surface areas would be interconnected by a corner portion. An arcuate surface area would extend between the flat outer side surface areas at a location opposite from the corner portion.

The inner side 16 of the anchor 10 has a polygonal cross-sectional configuration which corresponds to and is aligned with the polygonal outer side 14 of the anchor. The inner side 16 of the anchor 10 defines open ends of the passage 18 which extends through the anchor. Thus, the inner side 16 of the anchor has longitudinally extending inner corner portions 40, 42, and 44. The inner corner portions 40, 42 and 44 are linear and are aligned with and extend parallel to the outer corner portions 22, 24, and 26 and to a longitudinal central axis of the anchor 10.

In addition, the inner side 16 of the anchor 10 includes flat rectangular inner side surface areas 48, 50, and 52 which are interconnected by the inner corner portions 40, 42 and 44. The inner side surface areas 48, 50 and 52 extend parallel to and are spaced equal distances from the outer side surface areas 28, 30 and 32. The inner side 16 has a triangular cross-sectional configuration and is aligned with the outer side 14. Thus, the inner side 16 has a longitudinal central axis which is coincident with a longitudinal central axis of the outer side 14.

It is contemplated that the inner side 16 and outer side 14 could have different configurations. For example, the inner side 16 could be formed with a cross-sectional configuration which corresponds to the configuration of a circle or a segment of a circle. If desired, the inner side 16 could be formed as an almost complete cylinder with a radially extending corner portion which has a circumferential extent of, for example, 40° of the inner side.

In the embodiment of the anchor 10 illustrated in FIG. 1, the tubular wall 13 has three side walls 56, 58 and 60 which are of the same size. The side walls 56, 58 and 60 form

rectangular sections of the tubular wall 13. However, it should be understood that the side walls 56, 58 and 60 could have a different configuration and that a greater or lesser number of side walls could be provided if desired.

In one specific embodiment of the anchor 10, the anchor had the configuration illustrated in FIG. 1 and was formed of stainless steel to ASTM designation F-138-86 specification. This specific embodiment of the anchor 10 had a length of 3.10 millimeters. Each of the rectangular side walls 56, 58 and 60 had a width of 1.83 millimeters. The side walls 56, 58 and 60 had a thickness of 0.5 millimeters. The outer corner portions 22, 24 and 26 had a radius of 0.3 millimeters and the inner corner portions 40, 42 and 44 had a radius of 0.15 millimeters.

In another specific embodiment of the invention, the anchor 10 was also formed of stainless steel having an ASTM designation F-138-86 specification. This embodiment of the anchor had a length of 7.2 millimeters. Each of the rectangular side walls 56, 58 and 60 had a width of 1.83 millimeters. The side walls had a thickness of 0.5 millimeters. Both of the specific foregoing examples of the anchor 10 had the hollow prism-shaped configuration illustrated in FIG. 1.

It should be understood that the foregoing specific dimensions and materials for specific examples of the anchor 10 have been set forth herein for purposes of clarity of description. It is contemplated that the anchor 10 could be made with dimensions which are different than the specific dimensions set forth above. However, it is believed that it may be advantageous to make the anchor 10 with a length of from 2 to 8 millimeters and a width of 1.0 to 2.5 millimeters. Of course, the specific dimensions of the anchor 10 can be varied depending upon the environment in which the anchor is to be utilized to secure a suture 12.

In accordance with another of the features of the invention, the anchor 10 is installed in body tissue in an orientation in which one of the outer corner portions 22, 24 or 26 is embedded in body tissue by force applied against an adjacent inner corner portion 40, 42 or 44 by the suture 12. Force applied by the suture 12 against one of the inner corner portions 22, 24 or 26 of the anchor 10 presses the flat outer side surface areas which are interconnected by the embedded corner portion against the body tissue. Thus, if the suture 12 applies force against the inner corner portion 40, the outer corner portion 22 becomes embedded in the body tissue and the flat outer side surface areas 28 and 32 are pressed against the body tissue.

The outer corner portions which are spaced from the embedded outer corner portion 22, 24 or 26 cooperate with the body tissue to stabilize the anchor 10 and hold it, against sidewise movement. Parallel flat end surfaces 66 and 68 on the anchor 10 extend perpendicular to the outer side surfaces 28, 30 and 32 and cooperate with the body tissue to retain the anchor against axial movement relative to the body tissue. The cooperation between the outer corner portions 22, 24 and 26 and outer side surfaces 28, 30 and 32 with the body tissue securely retains the anchor 10 in place in the body tissue.

##### Installation Apparatus

When the anchor 10 is to be installed in human body tissue, the anchor may be pushed directly into the body tissue or into a recess may be formed in the body tissue to receive the anchor. The anchor 10 may be installed in either hard or soft body tissue. In FIGS. 2, 4, 5 and 6, the anchor 10 is to be installed in bone 72 in a human body. The bone 72 includes a compact outer layer 74 and a more porous cancellous tissue 76 which is surrounded by the compact outer layer.

A cylindrical recess or cavity **78** may be formed in the bone tissue to receive the anchor **10** in the manner illustrated in FIG. 2. It should be understood that the anchor **10** may be used with soft tissue rather than the hard tissue of the bone **72**. It should also be understood that, if desired, the formation of the recess or cavity **78** may be omitted.

A tubular guide member **82** (FIGS. 2–6) is inserted into the recess **78** (FIG. 2). Although the tubular guide member **82** could have many different configurations, the illustrated guide member **82** is cylindrical and is inserted through a circular opening **84** to the recess **78**. The guide member **82** is inserted through the compact outer layer **74** of bone tissue. A circular open inner end **86** of the guide member **82** is disposed immediately below (as viewed in FIG. 2) the inner side of the compact outer layer **74** of bone tissue **72**.

The tubular guide member **82** has a cylindrical outer side surface **88** with a diameter which is substantially the same as the diameter of the cylindrical recess **78** and the circular opening **84** to the recess. Therefore, the bone tissue **82** firmly engages the outer side surface **88** of the guide member **72** to hold the guide member in position relative to the recess **78**. The recess **78** extends inward past the lower (as viewed in FIG. 2) end **86** of the guide member **82** for a distance which is at least as great as the length of the anchor **10**, that is at least as great as the distance from the end surface **66** to the end surface **68** (FIG. 1) of the anchor **10**.

The tubular guide member **82** has a cylindrical inner side surface **92** (FIG. 3). When the anchor **10** is to be installed in the bone tissue **72**, the anchor is positioned in the guide member **82** with the end surface **66** on the anchor leading (FIG. 2) and the end surface **68** on the anchor **10** trailing. The outer corner portions **22**, **24** and **26** of the anchor **10** are disposed in engagement with the inner side surface **92** (FIG. 3) of the guide member **82** at equally spaced increments (approximately 120°) about the inner side surface of the guide member. A longitudinal central axis of the anchor **10** is coincident with a longitudinal central axis of the guide member **82**.

The outer side surface areas **28**, **30** and **32** (FIG. 3) of the anchor **10** are spaced from the inner side surface **92** of the guide member **82**. The outer side surface areas **28**, **30** and **32** extend parallel to a longitudinal central axis of the guide member **82**. The outer side surface areas **28**, **30** and **32** on the anchor **10** cooperate with the inner side surface area **92** on the guide member **82** to form a plurality, of channels **96**, **98** and **100** between the anchor **10** and the inner side surface **92** of the guide member **82**. The channels **96**, **98** and **100** extend axially along the length of the anchor **10**.

A portion **104** (FIG. 2) of the suture **12** extends downward (as viewed in FIG. 2) through the upper portion of the guide member **82** into the passage **18** in the anchor **10**. A relatively short portion **106** of the suture **12** extends across the leading end surface **66** of the anchor **10**. A second relatively long portion **108** of the suture **12** extends upward along the outer side surface area **32** of the anchor **10** through the channel **100**. The relatively long portions **104** and **108** of the suture **12** extend from the guide member **82** to a location offset to one side of the recess **78** in the bone tissue **72**.

Once the anchor **10** has been inserted into the tubular guide member **82** in the manner shown in FIGS. 2 and 3, a hollow cylindrical pusher member **112** (FIG. 2) is inserted into the guide member **82** through an open upper or outer end of the guide member. The pusher member **112** extends through the open upper or outer end of the guide member **82**. The distance to which the pusher member **112** extends into telescopic engagement with the guide member **82** can be varied by moving the pusher member axially relative to the

guide member. Although the pusher member **112** could have a configuration which is different than the cylindrical configuration of the guide member **82**, it is preferred to utilize a pusher member having the same configuration as the guide member.

The suture **12** extends through a cylindrical passage **114** formed in the tubular pusher member **112**. Thus, the portion **104** of the suture **12** extends into the pusher member **112** from a location offset to one side of the recess **78** in the bone tissue **72**. The portion **104** of the suture **12** extends through the passage **114** in the pusher member **112** to the passage **18** in the anchor **10**. The portion **106** of the suture **12** extends across the leading end **66** of the anchor **10**.

The portion **108** of the suture **12** extends upward through the channel **100** along the outer side of the anchor **10** (FIGS. 2 and 3). The portion **108** of the suture **12** then extends through an open lower or inner end portion **116** (FIG. 2) of the pusher member **112** into the passage **114** in the tubular pusher member. The portion **108** of the suture **12** then extends from the open upper end of the pusher member to a location which is offset to one side of the recess **78**. A surgeon can manually grip the suture **12** adjacent to an open upper end of the pusher member **112**.

The pusher member **112** has a cylindrical outer side surface **122** which telescopically engages the cylindrical inner side surface **92** of the guide member **82**. The cylindrical outer side surface **122** of the pusher member **112** has a diameter which is just slightly less than the diameter of the cylindrical inner side surface **92** of the guide member **82**. Therefore, the pusher member **112** can slide freely along the inner side surface **92** of the guide member **82** while the guide member holds the inner side surface of the cylindrical pusher member in alignment with the longitudinal central axis of the anchor **10** (FIG. 2). Thus, the cylindrical inner side surface **92** of the guide member **82** engages the outer corner portions **22**, **24** and **26** of the anchor **10** to guide movement of the anchor and engages the outer cylindrical side surface **122** of the pusher member **112** to guide movement of the pusher member.

The open end portion **116** of the pusher member **112** is axially tapered to enable the pusher member **112** to apply a concentrated force against the trailing end surface **68** (FIG. 2) of the anchor **10**. Thus, the pusher member **112** has a lower (as viewed in FIG. 2) end surface **126** which is skewed at an acute angle to a longitudinal central axis of the pusher member (FIG. 4). In addition, the pusher member **112** has a flat end surface **128** which engages the trailing end surface **68** of the anchor **10**.

The flat end surface **128** has a length and width which enables it to engage the trailing end surface **68** of the anchor regardless of the orientation of the pusher member **112** relative to the trailing end surface **68** of the anchor. This enables the pusher member **112** to engage the trailing end surface **68** of the anchor at a location adjacent to one of the outer corner portions **22**, **24** or **26** (FIG. 2) of the anchor and/or to engage the anchor at a location adjacent to one of the outer side surface areas **28**, **30** or **32** of the anchor.

The tapered configuration of the open end portion **116** of the pusher member **112** results in the pusher member applying a concentrated force against the trailing end surface **68** of the anchor at a location which is offset from the central axis of the anchor. Since the force applied by the pusher member **112** to the trailing end surface **68** of the anchor is offset from the central axis of the anchor **10**, a torque is applied to the anchor which tends to rotate the anchor about an axis extending through the location where the end portion **116** of the pusher member **112** engages the trailing end surface **68** of the anchor.

When the anchor **10** is in the guide member **82** (FIGS. 2 and 3), the outer corner portions **22**, **24** and **26** of the anchor member engage the cylindrical inner side surface **92** of the guide member **82** to retain the anchor against rotational movement under the influence of the concentrated force applied against the trailing end surface **68** of the anchor by the pusher member **112**. Thus, the cylindrical inner side surface **92** of the guide member **82** cooperates with the anchor **10** to retain the longitudinal central axis of the anchor **10** coincident with the longitudinal central axis of the guide member. In addition, the cylindrical inner side surface **92** of the guide member **82** cooperates with a cylindrical outer side surface **132** of the pusher member **112** to retain the pusher member in an orientation in which the longitudinal central axis of the pusher member is coincident with the longitudinal central axis of the guide member **82**.

In the embodiment of the invention illustrated in FIGS. 2 and 3, the guide member **82** and the pusher member **112** both have cylindrical configurations. However, it is contemplated that the pusher member **112** and guide member **82** could have different configurations. For example, the guide member **82** and the pusher member **112** could both have triangular cross-sectional configurations. If desired, the guide member **82** could have a circular cross-sectional configuration and the pusher member **112** could have a triangular cross-sectional configuration.

#### Installation Procedures

When the anchor **10** is to be installed in body tissue, which may be either hard or soft tissue, the suture **12** is inserted through the passage **18** (FIG. 2) in the anchor **10**. The relatively long portion **104** of the suture **12** extends through the passage **18** to the portion **106** of the suture. The portion **106** of the suture extends across the end surface **66** of the anchor. The portion **108** of the suture extends along the outer side **13** of the anchor **10**. In FIG. 2, the portion **108** of the suture **12** extends along the outer side surface area **32**. However, the portion **108** of the suture **12** could extend along any one of the outer side surface areas **28**, **30** or **32**.

Once the suture **12** has been inserted through the passage **18** in the anchor **10**, the anchor is inserted into the guide member **82**. As this is done, the outer corner portions **22**, **24** and **26** (FIG. 3) of the anchor engage the inner side surface **92** of the guide member **82** to position the anchor relative to the guide member. The portion **108** of the suture **12** extends through the channel **100** formed between the outer side surface area **32** on the anchor **10** and the inner side surface **92** of the guide member **82**. The guide member **82** retains the anchor **10** in an orientation in which a longitudinal central axis of the anchor is coincident with a longitudinal central axis of the guide member.

Either before or after the anchor **10** is inserted into the guide member **82**, the suture **12** is inserted through the open ended passage **114** (FIG. 2) in the pusher member **112**. After the anchor **10** has been inserted into the guide member **82**, the pusher member **112** is inserted into the guide member. The open leading end portion **116** of the pusher member **112** is moved into engagement with the trailing end surface **68** of the anchor **10**.

The pusher member **112** is pressed against the trailing end surface **68** of the anchor **10** to move the anchor through the guide member **82** toward the recess **78** in the bone **72**. As this is occurring, the anchor **10** and pusher member **112** may rotate relative to each other and to the guide member **82** about their coincident central axes. However, the inner side surface **92** of the guide member **82** engages the corner portions **22**, **24**, and **26** of the anchor **10** to retain the anchor against rotational movement about an axis extending trans-

versely to and offset from the longitudinal central axis of the anchor. Thus, the corner portions **22**, **24** and **26** on the anchor **10** slide along the inner side surface **92** of the guide member **82** to maintain the longitudinal central axis of the anchor coincident with the longitudinal central axis of the guide member.

A concentrated force is applied against the trailing end surface **68** of the anchor by the tapered end portion **116** of the pusher member **112**. The pusher member **112** applies the concentrated force against the anchor **10** at a location which is offset to one side of the longitudinal central axis of the anchor **10**. Thus, the flat end surface **128** on the tapered end portion **116** of the pusher member **112** engages the anchor **10** at a trailing end of one of the corner portions **22**, **24** or **26** and/or a trailing end of one of the sidewalls **56**, **58** or **60**. The tapered end portion **116** of the pusher member **112** has a radial thickness which is sufficient to enable the tapered end portion to span one of the channels **96**, **98** or **100** (FIG. 3) to engage the trailing end of a sidewall **56**, **58** or **60** at a location spaced from the corner portions **22**, **24** and **26** of the anchor **10**.

Engagement of the tapered end portion **116** of the pusher member **112** with the trailing end of the anchor **10** at a location offset to one side of the longitudinal central axis of the anchor results in the application of torque to the anchor. This torque tends to rotate the anchor about an axis extending through the location where the tapered end portion **116** of the pusher member **112** engages the trailing end surface **68** on the anchor. The outer corner portions **22**, **24** and **26** of the anchor **10** engage the inner side surface **92** of the guide member **82** to hold the anchor against rotation under the influence of the torque applied to the anchor by the pusher member **112** as the anchor moves through the guide member.

As the pusher member **112** moves downward (as viewed in FIG. 2) relative to the guide member **82**, the anchor **10** is pushed downward in the guide member. As this occurs the anchor **10** pulls the suture downward. Thus, force is transmitted from the leading end surface **66** of the anchor **10** to the portion **106** of the suture **12** to pull the suture into the pusher member **112** and guide member **82**.

As the anchor continues to move downward (as viewed in FIG. 2), the leading end of the anchor and the portion **106** of the suture **12** emerge from the open lower end **86** of the guide member **82** into the recess **78**. As the anchor **10** moves through the open lower (as viewed in FIG. 2) end portion of the guide member **82**, the suture **12** is tensioned to apply force against the leading end surface **66** of the anchor. The surgeon pulls on the portions **104** and **108** of the suture **12** to tension the suture. This force pulls the anchor upward (as viewed in FIG. 2) against the pusher member **112**.

As the suture is tensioned and the trailing end portion of the anchor **10** begins to move out of the guide member **82**, the suture slides along one of the inner side surface areas **48**, **50** or **52** on the anchor into one of the inner corner portions **40**, **42** or **44**. This tends to rotate the anchor about its longitudinal central axis relative to the pusher member **112** to move one of the side walls **56**, **58** or **60** on the anchor into alignment with the tapered end portion **116** of the pusher member **112**. As this occurs, the force applied by the tapered end portion **116** of the pusher member **112** becomes concentrated at the trailing end portion of one of the side walls **56**, **58** or **60** of the anchor.

For example, the anchor **10** rotates about its central axis from the position shown in FIG. 2 to the position shown in FIG. 4. When this occurs, the surface **126** on the tapered leading end portion **116** of the pusher member **112** engages the trailing end of the side wall **58** (FIG. 1) of the anchor **10**.

This results in the force applied by the pusher member 112 being concentrated at a location which is opposite from the outer corner portion 22 of the anchor. By concentrating the force applied against the trailing end surface 68 of the anchor by the pusher member 112 at a location opposite from the corner portion 22, the torque applied to the anchor 10 by the pusher member 112 tends to rotate the anchor in a clockwise direction, as indicated by the arrow 140 in FIG. 4.

Simultaneously with rotation of the anchor 10 about its central axis, the tension in the suture 12 applies force against the leading end surface 66 of the anchor. The force applied against the leading end 66 of the anchor 10 by the suture 12 pulls the trailing end 68 of the anchor back or upward (as viewed in FIG. 4) toward the tapered leading end portion 116 of the pusher member 112. Therefore, the tension in the suture 12 tends to further rotate the anchor 10 in a counterclockwise direction (as viewed in FIG. 4), in the manner indicated schematically by the arrow 140. The inner corner portion 40 of the anchor 10 holds the suture 12 against sidewise movement relative to the anchor and concentrates the force applied by the suture to the anchor at the inner corner portion of the anchor.

Under the combined influence of the concentrated force applied against the trailing end surface 68 of the anchor 10 by the pusher member 112 and the force applied against the inner corner portion 40 of the anchor adjacent to the leading end surface 66 by the suture 12, the anchor is rotated into the cancellous bone tissue 76, in the manner indicated schematically by the arrow 140 in FIG. 4. Thus, the anchor 10 is rotated about an axis which extends perpendicular to and is offset from the central axis of the guide member 82. The axis about which the anchor 10 rotates extends through the location where the leading end surface 128 on the pusher member 112 engages the trailing end surface 68 on the anchor 10. As this occurs, the pusher member 112 continues to move axially downward (as viewed in FIG. 4) in the guide member 82 into the recess 78. The anchor 10 continues to rotate about the axis extending through the location where the end surface 128 on the pusher member 112 engages the end surface 68 on the anchor 10 until the surface 68 on the anchor moves into abutting engagement with the sloping end surface 126 on the pusher member 112.

The combination of concentrated force pushing against the trailing end surface 68 of the anchor on one side of the longitudinal central axis of the anchor and a pulling force applied against the leading end surface 66 at a corner portion of the anchor on the opposite side of the longitudinal central axis of the anchor results in a substantial counterclockwise (as viewed in FIG. 4) torque which causes the anchor to rotate against the resistance provided by the soft cancellous tissue 76 of the bone 72. This results in the anchor 10 moving from the upright orientation shown in FIG. 2 through the orientation shown in FIG. 4 toward an orientation in which the trailing end surface 68 on the anchor 10 engages the sloping end surface 126 on the pusher member 112.

When the trailing end surface 68 on the anchor 10 engages the sloping end surface 126 (FIG. 4) on the pusher member 112, the central axis of the anchor extends perpendicular to the sloping end surface 126 and is skewed at an angle of 45° to the central axis of the guide member 82. The pusher member 112 is then withdrawn into the guide member 82. As the pusher member 112 is moved axially upward as viewed in FIG. 4 into the guide member 82, the force applied by the suture 12 against the leading end 66 of the anchor 10 continues in counterclockwise rotation of the anchor. The

force applied against the leading end portion 66 of the anchor by the suture 12 presses the trailing end portion 68 of the anchor against the left (as viewed in FIGS. 4 and 5) side surface of the recess 78.

Continued pulling or tensioning of the suture 12 results in the outer corner portion 22 of the anchor 10 being pulled upward toward the inner or lower (as viewed in FIG. 5) end surface 86 of the guide member 82. As this occurs, the force transmitted from the suture 12 to the anchor 10 pulls the trailing end of the anchor toward the left, as viewed in FIG. 4. Thus, the anchor 10 is first moved toward the right (as viewed in FIG. 4) of the central axis of guide member 82 under the combined influence of force applied against the anchor by the pusher member 112 and the suture 12. The pusher member 112 is then slowly withdrawn and, simultaneously therewith, the anchor 10 is moved toward the right (as viewed in FIGS. 4 and 5) under the influence of force applied against the anchor by tension in the suture 12. The suture 12 is tensioned by the surgeon when he or she manually pulls on the suture.

The force on the anchor 10 causes it to move to the substantially horizontal orientation shown in FIGS. 5 and 6. At this time, the longitudinal central axis of the anchor 10 and the outer corner portions 22, 24 and 26 of the anchor extend perpendicular to the coincident longitudinal central axes of the guide member 82 and pusher member 112. The tension force in the suture 12 pulls the outer corner portion 22 of the anchor 10 upward toward the lower end of the guide member 82.

As this is occurring, the outer corner portion 22 of the anchor 10 becomes embedded in the relatively soft cancellous bone tissue 76 (FIG. 6). In addition, the flat outer side surface areas 28 and 32 press against the cancellous bone tissue to stabilize the anchor 10. The outer corner portions 24 and 26 opposite from the corner portion 22, cooperate with the cancellous bone tissue 76 to further stabilize the anchor and retain the anchor 10 against movement relative to the body tissue 72.

The polygonal configuration of the anchor 10 results in the anchor being retained against movement relative to the body tissue 72. Thus, the outer corner portions 22, 24 and 26 of the anchor 10 become embedded in the body tissue 72. The flat outer side surface areas 28 and 32 of the anchor are pressed against the body tissue to further stabilize the anchor.

With the passage of time, the body tissue tends to grow into the recess 78 and the space caused by moving the anchor 10 from the position shown in FIG. 2 through the position shown in FIG. 4 to the position shown in FIG. 5. As this occurs, the body tissue grows into engagement with the flat outer side surface area 30 of the anchor to further stabilize the anchor. Although the anchor 10 is very stable in the body tissue 72, the anchor can be removed from the body tissue in the same manner as is disclosed in the aforementioned U.S. patent application Ser. No. 08/062,295 filed May 14, 1993 of which this application is a continuation-in-part. Anchor Guide and Pusher Members—Second Embodiment

In the embodiment of the invention illustrated in FIGS. 1–6, the anchor 10 is randomly oriented relative to the guide member 82. As the anchor 10 emerges from the guide member 82, the force applied against the anchor by tensioning the suture 12 results in the suture moving along an inner side surface area 48, 50 or 52 of the anchor into engagement with one of the inner corner portions 40, 42 and 44. As this occurs, the anchor moves relative to the pusher member 112 to an orientation in which the tapered end portion 116 of the pusher member 112 applies a concentrated force against a



portion of the anchor opposite from the inner corner portion engaged by the suture **12**. For example, if the suture **12** engages the inner corner portion **40**, as shown in FIG. **4**, the pusher member **112** applies a concentrated force against the side wall **58** adjacent to the outer corner portions **24** and **26**.

It is contemplated that it may be desired to orient the anchor **10** relative to the body tissue **72** before the anchor begins to move into the recess **78**. In the embodiment of the invention illustrated in FIGS. **7–10**, the tubular guide member is constructed so as to retain the anchor in a selected orientation relative to the guide member as the anchor moves axially through the guide member. In addition, the pusher member is constructed so as to apply a concentrated force against a selected portion of the anchor. Since the embodiment of the invention illustrated in FIGS. **7–10** is generally similar to the embodiment of the invention illustrated in FIGS. **1–6**, similar numerals will be utilized to designate similar components, the suffix letter “a” being associated with the numerals of FIGS. **7–10** to avoid confusion.

A tubular guide member **82a** (FIG. **7**) has a cylindrical outer side surface **88a** and a cylindrical inner side surface **92a**. In addition, the guide member **82a** has a linear locating rib **142** which orients the anchor **10a** in the guide member **82a**. The locating rib **142** extends axially along the inner side **92a** of the guide member **82a** for the entire length of the guide member. A longitudinal central axis of the locating rib **142** extends parallel to a longitudinal central axis of the guide member **82a**.

The locating rib **142** has a flat inwardly facing locating surface **144**. The flat locating surface **144** is disposed in a plane which forms a chord to the cylindrical inner side surface **92a** of the guide member **82a**. The plane in which the locating surface **144** is disposed, extends parallel to the longitudinal central axis of the guide member **82a**. The locating surface **144** has an axial extent which is the same as the axial extent of the guide members **82a**.

When an anchor **10** is in the orientation shown in FIG. **7**, the locating surface **144** engages the flat outer side surface area **30a** on the anchor **10a** to position the anchor in a predetermined orientation relative to the guide member **82a**. The corner portion **22a** of the anchor **10a** is disposed diametrically across from the locating surface **144**. Of course, the anchor **10a** could be positioned relative to the tubular guide member **82a** with the flat locating surface **144** in abutting engagement with any one of the flat outer side surface areas **28a**, **30a** or **32a** on the anchor.

The corner portions **22a**, **24a** and **26a** (FIG. **7**) of the anchor **10a** engage the cylindrical inner side surface **92a** of the guide member **82a** to hold the anchor **10a** in alignment with a longitudinal central axis of the guide member **82a**. The locating surface **144** engages the flat outer side surface area **30a** on the anchor **10a** to hold the anchor in a predetermined orientation relative to the longitudinal central axis of the guide member **82a**. Thus, the locating surface **144** engages the flat outer side surface **30a** on the anchor **10a** to prevent rotation of the anchor about its longitudinal central axis relative to the guide member **82a**. The longitudinal central axis of the anchor **10a** is coincident with the longitudinal central axis of the guide member **82a**.

The location of the anchor **10a** relative to the body tissue into which it is to be inserted can be selected by a surgeon before inserting the anchor. Thus, the outer corner portion **22a** of the anchor **10a** is diametrically across the guide member **82a** from the locating surface **144**. At this time, the corner portion **22a** of the anchor **10a** has a longitudinal central axis which is located in a plane which contains the

longitudinal central axis of the locating rib **142**. Therefore, by selecting the orientation of the locating rib **142** relative to the body tissue, the surgeon can select the orientation of the outer corner portion **22a** of the anchor relative to the body tissue.

When the anchor **10a** is installed in body tissue to anchor the suture **12a**, in the manner shown in FIGS. **5** and **6** for the anchor **10**, the longitudinal central axis of the corner portion **22a** of anchor **10a** is still disposed in the plane containing the parallel longitudinal central axes of the guide member **82a** and the locating rib **142**. The longitudinal central axis of the anchor **10a** is also disposed in the plane containing the longitudinal central axes of the guide member **82a** and the locating rib **142**. However, when the anchor **10a** is installed in body tissue, in the manner shown in FIGS. **5** and **6** for the anchor **10**, the longitudinal central axes of the corner portion **22a** and anchor **10a** extend perpendicular to the parallel longitudinal central axes of the guide member **82a** and locating rib **142**.

A pusher member **112a** (FIGS. **8** and **9**) cooperates with the guide member **82a** to apply force against the anchor **10a** at locations which are opposite from the outer corner portion **22a** and are adjacent to opposite longitudinally extending side surfaces **146** and **148** (FIG. **7**) on the locating rib **142**. The side surfaces **146** and **148** extend perpendicular to the locating surface **144**. The side surfaces **146** and **148** extend parallel to each other and are spaced apart by a distance which is substantially less than the distance between the corner portions **24a** and **26a** of the anchor **10a**.

The pusher member **112a** is a cylindrical tubular member having a tapered end portion **116a** (FIG. **8**). The tubular pusher member **112a** has a radially extending slot **150** (FIG. **9**) which extends throughout the length of the pusher member and receives the locating rib **142**. Opposite side surfaces **151** and **152** of the slot **150** extend parallel to each other and engage opposite side surfaces **146** and **148** on the locating rib **142**. Thus, the locating rib **142** cooperates with the slot **150** to orient the pusher member **112a** relative to the guide member **82a**. Since the anchor **10a** is also oriented relative to the guide member **82a** by the locating rib **142**, the locating rib is effective to orient the pusher member **112a** relative to the anchor.

The pusher member **112a** has a tapered leading or lower (as viewed in FIG. **8**) end surface **128a** which applies force against the anchor **10a** at locations adjacent to opposite sides of the locating rib **142** in the tubular guide member **82a**. The manner in which the end surface **128a** on the pusher member **112a** applies force against the anchor **10a** is indicated schematically in FIG. **7** by the arrows **154** and **156**. The arrows **154** and **156** extend parallel to the longitudinal central axis of the locating rib **142** and to the longitudinal central axis of the anchor **10a**.

The pusher member force represented by the arrows **154** and **156** is applied against the trailing end surface area **68a** on the side wall **58a** (FIG. **7**) of the anchor **10a** opposite from the outer corner portion **22a**. Thus, the pusher member **112a** applies a force which is concentrated against the same side wall **58a** of the anchor as is engaged by the locating surface **144** on the locating rib **142**. This results in the pusher member **112a** applying force against the trailing end surface **68a** of the anchor **10a** at locations which are selected by selecting the orientation of the anchor in the guide member **82a**.

When the anchor **10a** is to be installed in body tissue, the tubular guide member **82a** is positioned in a selected orientation relative to the body tissue. Thus, the open lower end **96a** (FIG. **10**) of the guide member **82a** is inserted into a

recess in the body tissue, in the manner illustrated in FIG. 2 for the guide member 82, with the locating rib 142 at a location where it is desired to have the outer corner portion 22a of the anchor 10a embedded in the body tissue.

The suture 12a (FIG. 10) is inserted through the central passage 18a in the anchor 10a. Thus, the portion 104a of the suture 12a extends through the passage 18a in the anchor 10a and the portion 108a of the suture 12a extends along the outer side surface 32a of the anchor. The suture is also inserted through the central passage 114a (FIG. 8) in the pusher member 112a.

The anchor 10a is then positioned in the guide member 82a with the flat outer side surface area 30a (FIG. 7), on the anchor in abutting engagement with the flat locating surface 144 on the locating rib 142. The portion 108a of the suture will extend through the channel 100a formed between the inner side surface 92a of the guide member 82a and the outer side of the anchor 10a.

The pusher member 112a is then inserted into the tubular guide member 82a with the portions 104a and 108a of the suture 12a extending through the cylindrical passage 114a in the tubular pusher member. The locating rib 142 extends radially through the slot 150 formed in the pusher member 112a. The side surfaces 151 and 152 of the slot 150 (FIG. 9) engage opposite side surfaces 146 and 148 on the locating rib 142. Engagement of the locating rib 142 with the slot 150 in the pusher member 112a orients the pusher member 112a relative to both the anchor 10a and the guide member 82a.

The lower or leading end surface 128a (FIG. 8) on the pusher member 112a engages the upper end surface of the side wall 58a (FIG. 7) of the anchor 10a adjacent to opposite sides of the locating rib 142. Thus, when the pusher member 112a is pressed against the anchor 10a, the end surface 128a on the pusher member 112a applies force against the trailing end surface 68a of the anchor 10a at the side wall 58a, in the manner indicated by the arrows 154 and 156 in FIG. 7.

The force applied against the trailing end surface 68a of the anchor 10a by the pusher member 112a moves the anchor axially downward (as viewed in FIG. 7) through the guide member 82a until a leading end surface 66a (FIG. 10) on the anchor emerges from the open lower (as viewed in FIG. 10) end 92a of the guide member 82a. During this movement of the anchor 10a through the tubular guide member 82a, both the anchor and the pusher member 112a are maintained in a predetermined orientation relative to the guide member by the locating rib 142. The locating rib 142 cooperates with the pusher member 112a and the anchor 10a to retain them against rotation relative to each other about the central axis of the guide member 82a.

As the anchor 10a begins to emerge from the lower (as viewed in FIG. 10) end portion 86a of the tubular guide member 82a, the force applied against the trailing end surface 68a of the anchor by the pusher member 112a applies a torque to the anchor which tends to rotate the anchor in a counterclockwise direction (as viewed in FIG. 10). As this occurs, the suture 12a is tensioned to apply a force against the inner corner portion 40a of the anchor 10a adjacent to the leading end surface 66a of the anchor. The forces result in the anchor being rotated in a counterclockwise direction as viewed in FIG. 10.

Once the trailing end of the anchor 10a has moved clear of the tubular guide member 82a, the force applied against the leading end surface 66a of the anchor 10a by the portion 106a of the suture 12a moves the anchor 10a toward the left (as viewed in FIG. 10). Therefore, the anchor 10a moves to a position in which it extends diametrically across the open

lower end portion 92a of the guide member 82a. This results in the anchor 10a being installed in body tissue in a position similar to that shown for the anchor 10 in FIGS. 5 and 6.

Continued pulling or tensioning of the suture 12a results in the corner portion 22a of the anchor becoming embedded in the body tissue and the outer side surfaces 28a and 32a of the anchor applying force against the body tissue. At this time, the outer corner portions 24a and 26a cooperate with the body tissue to further stabilize the anchor 10a. Once the anchor 10a has been moved into position in the body tissue, both the guide member 82a and the pusher member 112a are withdrawn from the body tissue.

In the embodiment of the invention illustrated in FIGS. 7-10, the locating rib 142 positions the anchor relative to the guide member 82a. However, it is contemplated that many different arrangements of locating surfaces could be provided on the guide member to locate the anchor relative to the guide member. For example, the guide member 82a could be formed with a configuration corresponding to the configuration of a segment of a circle. If this was done, the portion 108a of the suture 12a would be disposed adjacent to the arcuate portion of the guide member while the opposite outer corner portion of the anchor would be engaged by the apex of the guide member. If desired, the guide member could have a polygonal cross-sectional configuration corresponding to the polygonal cross-sectional configuration of the anchor. If this is done, a groove in the guide member could be used as a channel to receive the portion 108a of the suture 12a.

#### Anchor—Second Embodiment

It is contemplated that during use of the anchor 10 of FIGS. 1-6, it may be desired to protect the suture 12 from engagement with surfaces in the environment in which the anchor is used. In the embodiment of the anchor illustrated in FIGS. 11 and 12, grooves are provided to receive the suture to protect the suture. Since the embodiment of the anchor illustrated in FIGS. 11 and 12 is generally similar to the embodiment of the invention illustrated in FIGS. 1-6, similar numerals will be utilized to designate similar components, the suffix letter "b" being associated with the numerals of FIGS. 11 and 12 to avoid confusion.

An anchor 10b has outer corner portions 22b, 24b and 26b which interconnect flat outer side surface areas 28b, 30b and 32b. A central passage 18b extends through the anchor. The anchor 10b has the same configuration as the anchor 10 of FIG. 1.

In accordance with a feature of this embodiment of the invention, the anchor 10b has a groove 162 (FIG. 11) in which the suture 12b is received. The groove 162 has a longitudinally extending main portion 164 which is disposed inwardly from the flat outer side surface 32b of the anchor 10b. The main portion 164 of the groove 162 has a flat bottom surface 166 which extends parallel to the flat outer side surface area 32b and extends between axially opposite ends of the anchor 10b. The main portion 164 of the groove 162 receives the portion 108b of the suture 12b which extends along the outside of the anchor.

The main portion 164 of the groove 162 has a flat longitudinally extending side surface 170 which is disposed in a central portion of the flat outer side surface 32b and a flat longitudinally extending side surface 172 which is disposed in a central portion of the outer corner portion 22b (FIG. 12). This enables the portion 108b (FIG. 11) of the suture 12b to move from a position adjacent to the central portion of the flat outer side surface 32b to the outer corner portion 22b as the inner portion of the suture moves into engagement with the inner corner portion 40b (FIG. 12) of

the anchor **10b**. Thus, as the anchor **106** is rotated and moved into position relative to the end of the guide member in the manner shown in FIGS. **4** and **5** for the anchor **10**, the portion **108b** of the suture **12b** will move sidewardly, that is in a direction transverse to the longitudinal central axis of the main portion **164** of the groove **162**, into engagement with the longitudinally extending side surface **172** of the groove. This occurs as the portion of the suture which extends through the passage **18b** in the anchor **10b** moves into engagement with the inner corner portion **40b** of the anchor.

In addition, the groove **162** has an end portion **176** which extends transversely to the main portion **164** of the groove **162** and extends across the end surface **66b** of the anchor **10b**. The end portion **176** of the groove **162** extends from a central portion of an end of the side wall **60b** to the inner and outer corner portions **40b** and **22b**. The end portion **176** of the groove **162** receives the portion **106b** of the suture **12b** to protect the suture. Since the end portion **176** of the groove extends from the central portion of the side wall **60b** to the outer corner portion **22b**, the portion **106b** of the suture can move to a location extending between the inner corner portion **40b** and the outer corner portion **22b** as the anchor is moved from the orientation shown in FIG. **4** to the orientation shown in FIG. **5** for the anchor **10**.

Although the groove **162** has been illustrated herein as having both the main portion **164** and the end portion **176**, it is contemplated that the groove **162** could have either just the main portion **164** or the end portion **176** if desired. It is also contemplated that the groove **162** could have a configuration other than the configuration illustrated herein.

#### Plural Anchors

In the embodiment of the invention illustrated in FIGS. **1-6**, a single anchor **10** is used to secure the suture **12** in body tissue. In the embodiment of the invention illustrated in FIGS. **13-16**, a plurality of anchors are used to secure a suture in body tissue. Since the embodiment of the invention illustrated in FIGS. **13-16** is generally similar to the embodiment of the invention illustrated in FIGS. **1-6**, similar numerals will be utilized to designate similar components, the suffix letter "c" being associated with the numerals of FIGS. **13-16** to avoid confusion.

In accordance with a feature of this embodiment of the invention, a pair of anchors **182** and **184** (FIG. **13**) are used to secure a suture **12c** in body tissue. However, a greater number of anchors could be used if desired. The anchors **182** and **184** both have the same general construction as the anchor **10** of FIGS. **1-6**. However, the trailing anchor **182** has a tapered leading end portion **186**. If desired, the anchors **182** and **184** could have a construction which is different from the construction of the anchor **10**.

The tapered leading end portion **186** of the trailing anchor **182** extends from an outer corner portion **22c** of the anchor **182** to an outer side surface **30c** on a side wall **58c** and to the corner portions opposite from the corner portion **22c** of the anchor **182**. The outer side surface area **30c** has a flat rectangular configuration. The tapered leading end portion **186** of the anchor **182** includes a flat leading end surface **66c** which is disposed in a plane which is skewed at an acute angle to a trailing end surface **68c**. Other than having the tapered leading end portion **186**, the construction of the anchor **182** is the same as the construction of the anchor **10** of FIGS. **1-6**.

The leading anchor **184** has the same construction as the anchor **10** of FIGS. **1-6**. Thus, the leading anchor **184** has a leading end surface **66c** which is parallel to the trailing end surface **68c**. The leading and trailing end surfaces **66c** and

**68c** of the anchor **184** extend perpendicular to a longitudinal central axis of the suture.

Although it is preferred to use anchors **182** and **184** having the same configuration as the anchor **10** of FIGS. **1-6**, the anchors **182** and **184** could have a configuration which is different than the configuration of the anchor **10**. For example, the anchors **182** and **184** could have a cylindrical configuration or any of the other anchor configurations disclosed in the aforementioned U.S. patent application Ser. No. 08/062,295 filed May 14, 1993 of which this application is a continuation-in-part. However, the anchor corresponding to the anchor **182** and having any one of these constructions may be provided with a tapered leading end portion.

Although it is preferred to form the leading anchor **184** with a trailing end surface **68c** which extends perpendicular to the central axis of the anchor, the trailing end portion of the leading anchor **184** could be tapered in a manner similar to the tapered leading end portion **186** of the trailing anchor **182**. If the trailing end portion of the anchor **184** is tapered, the leading end portion of the anchor **182** could extend perpendicular to the central axis of the anchor **182** or could be tapered in a manner similar to that shown in FIG. **13**.

When the anchors **182** and **184** are to be used to secure the suture **12c** into bone **72c** or other body tissue, a cylindrical recess **78c** may be formed in the body tissue. A tubular cylindrical guide member **82c** is inserted into the recess **78c** in the manner illustrated in FIG. **13**. Although the tubular guide member **82c** has the same construction as the guide member **82** of FIGS. **2-6**, a guide member having a different construction could be used if desired.

The suture **12c** is inserted through central passages **18c** in the anchors **182** and **184**. This results in the two anchors **182** and **184** being strung together on the suture **12c**. A portion **104c** (FIG. **13**) of the suture **12c** extends through the central passage **18c** in the anchor **182** and through the central passage **18c** in the anchor **184**. A portion **106c** of the suture **12c** extends across the leading end surface **66c** of the leading anchor **184**. A portion **108c** of the suture **12c** extends along the outside of the two anchors **182** and **184**.

After the anchors **182** and **184** have been strung on the suture **12c**, the anchors **182** and **184** are positioned in the tubular guide member **82c**. Corner portions of the anchors **182** and **184** engage a cylindrical inner side surface **92c** of the guide member **82c**. Thus, the corner portions of the anchors **182** and **184** engage the inner side surface **92c** of the guide member **82c** in the same manner as in which the corner portions **22**, **24** and **26** of the anchor **10** engage the inner side surface **92** of the tubular guide member **82** (FIG. **3**).

The anchors **182** and **184** are positioned in the cylindrical guide member **82c** with the corner portions of the anchors aligned with each other and with the anchors in a coaxial relationship with each other. The anchors **182** and **184** are also positioned in the guide member **82c** with the anchors in a coaxial relationship with each other and with the guide member. A knife edge end **190** of the tapered leading end portion **186** of the anchor **182** is disposed in engagement with the trailing end surface **68c** of the anchor **184** along the side wall **58c** of the anchor **184**. The knife edge end **190** of the tapered leading end portion **186** of the anchor **182** has a configuration similar to the configuration of a cutting portion of a chisel. The knife edge end **190** extends along the side wall **58c** of the anchor **182** between corner portions at opposite ends of the side wall, that is, between corner portions corresponding to the corner portions **24** and **26** (FIG. **3**) of the anchor **10**. Thus, force is transmitted from the

trailing anchor **182** to the leading anchor **184** along the entire width of the trailing end surface of the side wall **58c** of the anchor **184**.

A cylindrical tubular pusher member **112c** is inserted into the guide member **82c** and applies force to the trailing end surface **68c** of the trailing anchor **182**. The pusher member **112c** has a flat circular leading end surface **126c** which is disposed in a plane extending perpendicular to a longitudinal central axis of the pusher member **112c**. Thus, the pusher member **112c** of FIG. **13** does not have a tapered open end portion in the same manner as does the pusher member **112** of FIGS. **2** and **4**. However, if desired, the pusher member **112c** could be provided with a tapered open end portion having a configuration similar to the configuration of the tapered open end portion **116** of the pusher member **112** (FIGS. **2** and **4**).

The circular leading end surface **126c** of the pusher member **112c** engages the trailing end surface **68c** of the trailing anchor **182** at each of the three corner portions of the anchor. This results in the trailing anchor **182** being pushed straight down (as viewed in FIG. **13**) by the pusher member **112c**. The pusher member **112c** does not apply torque to the trailing anchor **182**. This is because the force applied to the trailing end surface **68c** of the anchor **182** by the pusher member **112c** is balanced about the central axis of the anchor.

Although the pusher member **112c** does not apply torque to the trailing anchor **182**, the trailing anchor **182** is effective to apply torque to the leading anchor **184**. This is because force is transmitted from the trailing anchor **182** through the tapered leading end portion **186** of the trailing anchor **182** to the leading anchor **184**. The force transmitted from the trailing anchor **182** to the leading anchor **184** is concentrated along the width of the side wall **58c** of the leading anchor by the knife edge end **190** of the trailing anchor. This concentrated force is offset from the longitudinal central axis of the leading anchor **184**. Therefore, the trailing anchor **182** applies torque to the leading anchor **184** tending to rotate the leading anchor in a counterclockwise direction, as viewed in FIG. **13**, about an axis which extends through the location where the knife edge end **190** of the trailing anchor **182** engages the side wall **58c** of the leading anchor **184**. Thus, the torque applied to the leading anchor **184** by the trailing anchor **182** tends to rotate the leading anchor about an axis which extends parallel to the flat outer side surfaces **30c** of the anchors and which extends along a linear line of engagement of the knife edge end **190** of the trailing anchor with the trailing end surface **68c** of the leading anchor.

Since the three outer corner portions of the leading anchor **184** are disposed in engagement with the cylindrical inner side surface **92c** of the guide member **82c**, in the manner illustrated in FIG. **3** for the anchor **10**, the leading anchor **184** is restrained against rotational movement under the influence of torque transmitted from the trailing anchor **182** to the leading anchor **184**. Thus, the leading anchor **184** is moved straight downward (as viewed in FIG. **13**) under the influence of the force transmitted from the trailing anchor **182** to the leading anchor. The leading end surface **66c** of the leading anchor **184** applies force against the portion **106c** of the suture **12c** to pull the suture downward in the guide member **82c**.

As the anchors **182** and **184** are moved downward (as viewed in FIG. **13**) together along the guide member **82c** under the influence of forces applied against the trailing anchor **182** by the pusher member **112c**, the leading anchor **184** moves through the open lower end portion **86c** of the guide member **82c**. As this occurs, the concentrated force

applied against the trailing end surface **68c** of the leading anchor **184** by the tapered knife edge end portion **186** of the trailing anchor **182** causes the leading anchor to rotate in a counterclockwise direction, in the manner indicated by the arrow **140c** in FIG. **14**. This results in the leading anchor **184** rotating about an axis which extends through the location where the knife edge end **190** of the trailing anchor **182** engages the portion of the trailing end surface **68c** of the leading anchor **184** disposed on the trailing end of the side wall **58c** of the leading anchor **184**.

As the leading anchor **184** is being rotated under the influence of the torque applied against it by the trailing anchor **182**, the trailing anchor continues to move straight downward (as viewed in FIG. **14**) along the tubular guide member **82c**. As the leading anchor **184** is rotated in a counterclockwise direction, in the manner indicated by the arrow **140c** in FIG. **14**, the leading end **66c** of the leading anchor moves rightward into the relatively soft cancellous bone tissue **76c**. The outer corner portion **22c** of the anchor **184** is leading. The wedge-shaped configuration of the outer corner portion **22c** of the leading anchor **184** facilitates movement of the leading anchor **184** in the cancellous bone tissue.

As this is occurring, the suture **12** is tensioned by pulling on the two portions **106c** and **108c** of the suture. This pulls the portion **106c** of the suture against the leading end surface **66c** of the leading anchor **184**. The force applied by the suture **12c** to the leading end surface **66c** of the leading anchor **184** urges the leading anchor upward and toward the left (as viewed in FIG. **14**) toward the tapered leading end portion **186** of the trailing anchor **182**. The counterclockwise (as viewed in FIG. **14**) rotation of the leading anchor **184** continues until the trailing end surface **68c** on the leading anchor engages the leading end surface **66c** on the trailing anchor **182**.

After the trailing end surface **68c** on the leading anchor **184** has engaged the leading end surface **66c** on the trailing anchor **182**, the pusher member **112c** pushes the trailing end surface **68c** of the trailing anchor **182** out of the guide member **82c**. As this occurs, the outer corner portions of the trailing anchor **182** move out of engagement with the cylindrical inner side surface **92c** of the guide member **82c**. Force transmitted from the suture **12c** through the leading anchor **184** to the trailing anchor **182** causes the trailing anchor to rotate and move leftward toward the position shown in FIG. **15**.

As this is occurring, the leading anchor **184** continues to rotate under the influence of the force applied against the leading anchor by the suture **12c**. As the suture **12c** is tensioned, the two anchors **182** and **184** are rotated together through the position shown in FIG. **15** to the position shown in FIG. **16**. When the anchors **182** and **184** reach the position shown in FIG. **16**, the outer corner portions **22c** of the anchors engage the lower end surface **86** of the guide member **82c** and are embedded in the soft cancellous bone tissue.

The force applied against the two anchors **182** and **184** by tensioning the suture **12c** presses the leading end surface **66c** on the tapered leading end portion **186** of the trailing anchor **182** firmly against the trailing end surface **68c** on the anchor **184**. At this time, the flat outer major side surfaces on the anchors **182** and **184** press against the soft cancellous bone tissue and the outer corner portions of the anchors **182** and **184** are engaged by the soft cancellous bone tissue to stabilize the anchors **182** and **184** in the same manner as previously explained in conjunction with the embodiment of the invention illustrated in FIGS. **1-6**. Therefore, the

anchors **182** and **184** are disposed in stable abutting engagement with each other and are held against movement relative to the bone tissue **72c**.

When the anchors **182** and **184** have been installed in the body tissue **72c**, as shown in FIG. 16, the guide member **82c** and pusher member **112c** are withdrawn from the body tissue. At this time, the anchors **182** and **184** have longitudinal central axes which are skewed relative to each other and slope upward (as viewed in FIG. 16) in opposite directions toward the outer side surface of the body tissue **72c**. Tensioning of the suture **12c** presses the leading end surface **66c** on the trailing anchor **182** firmly against the trailing end surface **68c** on the leading anchor **184**. The two anchors **182** and **184** become wedged together and span the opening in the body tissue **72c** to strongly resist pulling out of the anchors **182** and **184** and the suture **12c** from the body tissue **72c**.

Since the anchors **182** and **184** slope upward (as viewed in FIG. 16) toward the outer side surface of the body tissue **72c** and away from each other, pulling on the suture **12c** results in the anchors becoming wedged even more firmly in the body tissue. The force applied against the inner side surfaces of the anchors **182** and **184** by pulling on the suture **12c** tends to further embed the trailing end portion of the trailing anchor **182** and the leading end portion of the leading anchor **184** in the body tissue. Pulling on the suture **12c** tends to center the two anchors **182** and **184** across the opening through which they were inserted into the body tissue **72c**.

In the embodiment of the invention illustrated in FIGS. 13–16, the anchors **182** and **184** both have the same general polygonal construction as the anchor **10** of FIG. 1. However, it is contemplated that the anchors **182** and **184** could have a different construction if desired. Thus, the anchor **182** and/or the anchor **184** could have a cylindrical construction. Plural Anchors—Guide and Pusher Members

In the embodiment of the invention illustrated in FIGS. 13–16, the anchors **182** and **184** are randomly oriented relative to the guide member **82c**. It is contemplated that it may be desired to orient the anchors **182** and **184** relative to the body tissue **72c** before the anchors begin to move into the recess **78**. In the embodiment of the invention illustrated in FIG. 17, the guide member is constructed so as to retain the anchors in a selected orientation relative to the guide member as the anchors move axially through the guide member. In addition, the pusher member is constructed so as to apply a concentrated force against a selected portion of the anchor. Since the embodiment of the invention illustrated in FIG. 17 is generally similar to the body of the invention illustrated in FIGS. 13–16 and since the guide members and pusher members are constructed in a manner which is generally similar to the embodiment of the invention illustrated in FIGS. 7–10, similar numerals will be utilized to designate similar components, the suffix letter “d” being associated with the numerals of FIG. 17 to avoid confusion.

In the embodiment of the invention illustrated in FIG. 17, the tubular guide member **82d** has a cylindrical outer side surface **88d** with a cylindrical inner side surface **92d**. In addition, the guide member **82d** has a locating rib **142d** which orients the anchors **182d** and **184d** in the guide member **82d**. The locating rib **142d** extends along the inner side surface **92d** of the guide member **82d** for the entire length of the guide member.

The locating rib **142d** has a flat inwardly facing locating surface **144d**. The flat locating surface **144d** is disposed in a plane which forms a chord to the cylindrical inner side

surface **92d** of the guide member **82d**. The locating surface **144d** has an axial extent which is the same as the axial extent of the guide member **82d**.

The locating surface **144d** engages the flat outer side surface area **30d** on the trailing anchor **182d** and the flat outer side surface area **30d** on the leading anchor **184d**. This enables the locating surface **144d** to position the anchors **182d** and **184d** in a predetermined orientation relative to the guide member **82d**. Thus, the corner portions **22d** of the anchors **182d** and **184d** are disposed diametrically across from the locating surface **144d**. The locating surface **144d** engages the flat outer side surface areas **30d** on the anchors **182d** and **184d** to hold the anchors in a predetermined orientation relative to a longitudinal central axis of the guide member **82d**.

A pusher member **112d** cooperates with the guide member **82d** to apply force against the trailing anchor **182d** at the corner portions of the trailing anchor. The pusher member **112d** is a cylindrical tubular member having a radially extending slot **150d** which extends throughout the length of the pusher member and receives the locating rib **142d**. The manner in which the pusher member **112d** cooperates with the guide member **82d** is the same as previously explained in conjunction with the embodiment of the invention illustrated in FIGS. 7–10. However, the pusher member **112d** does not have a tapered leading end portion corresponding to the tapered leading end portion **116a** (FIG. 8) of the pusher member **112a**. If desired, the pusher member **112d** could be provided with a tapered leading end portion.

The pusher member **112d** cooperates with the trailing anchor **182d** and leading anchor **184d** and the guide member **82d** to position the anchors **182d** and **184d** in the same manner as previously explained in conjunction with the embodiment of the invention illustrated in FIGS. 13–16. By using the locating rib **182d**, a surgeon can determine the orientation of the anchors in the body tissue **72d** by positioning the guide member **82d** relative to the body tissue **72d** in an orientation corresponding to the desired orientation of the anchors **182** and **184d** to the body tissue.

Plural Anchors—Guide Member—Third Embodiment

In the embodiment of the invention illustrated in FIG. 17, the guide member **182d** is provided with a locating rib **142d** to locate the anchors **182d** and **184d** relative to the body tissue **72d**. In the embodiment of the invention illustrated in FIG. 18, the guide member is provided with a plurality of longitudinally extending grooves which locate the anchors relative to the body tissue. Since the embodiment of the invention illustrated in FIG. 18 is generally similar to the body of the invention illustrated in FIGS. 13–17, similar numerals will be utilized to designate similar components, the suffix letter “e” being associated with the numerals of FIG. 18 to avoid confusion.

The guide member **82e** has a cylindrical inner side surface **92e**. In accordance with a feature of this embodiment of the invention, the guide member **82e** is provided with three spaced-apart and parallel longitudinally extending locating grooves **202**, **204**, and **206** (FIG. 18). The locating grooves **202**, **204**, and **206** extend axially throughout the length of the guide member **82e** and are spaced equal arcuate distances apart about the cylindrical inner side surface **92e** of the guide member **82e**. Thus, the locating grooves **202**, **204** and **206** are spaced approximately 120° apart.

The corner portions **22e**, **24e** and **26e** on the anchor **182e** engage the guide grooves **202**, **204**, and **206** in the manner illustrated in FIG. 18. Although only the corner portions **22e**, **24e** and **26e** for the trailing anchor **182e** are shown in FIG. 18, it should be understood that the leading anchor, corre-

sponding to the leading anchor **184** of FIG. **13**, has corner portions which engage the guide grooves **202**, **204**, and **206** in the same manner as do the corner portions of the trailing anchor.

The pusher member has not been shown in FIG. **18**, it is contemplated that a cylindrical pusher member, similar to the pusher member **112** of FIGS. **8** and **9** may be used to apply force against the trailing end surface **68e** of the anchor **182e** (FIG. **18**).

#### Plural Anchors—Second Embodiment

In the embodiment of the invention illustrated in FIGS. **13–16**, the anchors **182** and **184** are formed separately from each other. This requires a surgeon to properly align and thread the anchors on the suture **12c** in the manner illustrated in FIG. **13**. In the embodiment of the invention illustrated in FIGS. **19** and **20**, a connector portion is provided to interconnect the two anchors. The connector portions retains the anchors in the proper orientation relative to each other and facilitate threading of the suture through the two anchors. Since the embodiment of the invention illustrated in FIGS. **19** and **20** is generally similar to the embodiment of the invention illustrated in FIGS. **13–16**, similar numerals will be utilized to designate similar components, the suffix letter “F” being used in conjunction with the numerals of FIGS. **19** and **20** to avoid confusion.

An anchor **182f** (FIG. **19**) has the same construction as the anchor **182** of FIGS. **13–16**. An anchor **184f** has the same construction as the anchor **184** of FIGS. **13–16**. In accordance with a feature of this embodiment of the invention, the anchors **182f** and **184f** are interconnected by a connector **220** which extends between the two anchors **182f** and **184f**. The connector **220** has a length which is coextensive with the width of side walls **58f** of the anchors **182f** and **184f**.

The anchors **182f** and **184f** have side walls **58f** with flat outer side surface areas **30f** which are disposed in a common plane. In addition, the anchors **182f** and **184f** have outer corner portions **22f** which are axially aligned with each other. The outer side surface areas **30f** on the side walls **58f** of the anchors **182f** and **184f** are maintained in alignment with each other by the connector **220**. In addition, the connector **220** maintains the outer corner portions **24f** on the anchors **182f** and **184f** in alignment with each other.

Since the two anchors **182f** and **184f** are interconnected by the connector **220**, the tapered leading end portion **186f** of the trailing anchor **182f** always faces toward the trailing end surface **68f** of the leading anchor **184f**. Therefore, when a suture **12f** (FIG. **20**) is threaded through the anchors **182f** and **184f**, the anchors are always in the proper orientation relative to each other.

When the anchors **182f** and **184f** are installed in body tissue, in the manner illustrated in FIGS. **13–16** for the anchors **182** and **184**, the connector **220** is deformed to enable the leading anchor **184f** to move from the orientation shown in FIG. **19** to the orientation shown in FIG. **20** relative to the anchor **182f**. Thus, when the anchors **182f** and **184f** have been moved to their installed positions relative to each other, in the manner illustrated in FIG. **20**, the connector **220** is bent so that the leading end surface **66f** on the anchor **182f** and the trailing end surface **68f** on the anchor **184f** are disposed in abutting engagement.

The connector **220** is a web which extends along the leading end portion of the outer side surface **30f** in the side wall **58f** of the anchor **182f** and along a trailing portion of the outer side surface **30f** of the side wall **58f** of the anchor **184f**. The relatively thin web forming the connector **220** is integrally formed with the two anchors **182f** and **184f**. Thus, the two anchors **182f** and **184f** are formed as one piece having

the configuration of an equilateral triangular prism. The leading end surface **66f** on the anchor **182f** and the trailing end surface **68f** on the anchor **184f** are formed by making a notch in the one piece prism. The notch does not extend completely through the side walls **58d** so that the thin web of the connector **220** remains to interconnect the two anchors **182f** and **184f**.

Although it is preferred to form the anchors **182f** and **184f** from a single piece of material with a thin web or connector **220** between the two anchors, it is contemplated that the anchors **182f** and **184f** could be formed from two separate pieces of material and interconnected by a separate connector **220**. If this was done, the connector **220** could be formed of a material which is different than the material of the anchors **182f** and **184f**. For example, the connector **220** could be formed of a suitable polymeric material and bonded to the leading end surface **66f** of the anchor **182f** and to the trailing end surface **68f** of the anchor **184f**. If this was done, the polymeric material could be ruptured or broken as the connector **220** is deformed during installation of the anchors **182f** and **184f** and movement of the anchors to the orientation shown in FIG. **20**.

It is also contemplated that the connector **220** could be formed by a plurality of relatively thin elements which are disposed at spaced apart locations along the leading end of the flat outer side surface **30f** of the side wall **58f** of the anchor **182f** and the trailing end of the flat outer side surface **30f** of the side wall **58f** of the leading anchor **184f**. The thin spaced apart connector portions could be integrally formed with the anchors **182f** and **184f** or could be formed of a suitable connector material which extends between the anchors and used to interconnect them, such as spots or small bodies of adhesive.

#### Conclusion

In view of the foregoing description, it is apparent that the present invention provides a new and improved method and apparatus for securing a suture **12** in body tissue. An improved suture anchor **10** has a polygonal cross-sectional configuration with an outer side **14** which is formed by a plurality of flat side surface areas **28**, **30**, and **32** which are interconnected by outer corner portions **22**, **24**, and **26**. The anchor **10** has a passage **18** formed by a plurality of flat inner side surface areas **48**, **50**, and **52** which are interconnected by a plurality of inner corner portions **40**, **42** and **44**. The suture **12** is engageable with one of the inner corner portions **40**, **42** or **44** to urge an outer corner portion **22**, **24**, or **26** of the anchor **10** into engagement with body tissue **72**. A groove **162** may be provided in the end and/or outer side of the anchor to receive the suture.

A plurality of anchors **182** and **184** having the configuration of the anchor **10** or a different configuration may be used to anchor a suture. When a plurality of anchors are used, the suture **12** is inserted through each of the anchors and the anchors are sequentially moved into the body tissue. As a leading anchor **184** is moved into the body tissue, the suture **12** is tensioned to move a corner portion **22** on the leading anchor into engagement with the body tissue. A connector **220** may be provided between each anchor.

Having described the invention, the following is claimed:

1. A method of anchoring a suture, said method comprising the steps of providing at least one anchor having an outer side with outer side surface areas interconnected by an outer corner portion, the one anchor has a passage with an inner side surface areas interconnected by an inner corner portion, inserting a suture through the passage, moving the one anchor through an opening in body tissue with the suture extending through the passage in the one anchor, moving the

suture into engagement with the inner corner portion of the one anchor, and, urging the outer corner portion of the one anchor into engagement with the body tissue by tensioning the suture and transmitting force from the suture to the inner corner portion of the one anchor.

2. A method as set forth in claim 1 further including the steps of applying force against the one anchor at a location spaced from the outer corner portion of the one anchor to effect rotational movement of the one anchor relative to the body tissue.

3. A method as set forth in claim 1 further including the steps of inserting a tubular member through the opening in the body tissue, inserting the one anchor into the tubular member with the suture extending into the tubular member and through the passage in the one anchor, said step of moving the one anchor through an opening in body tissue includes moving the one anchor through the opening in the body tissue with a trailing end portion of the one anchor in the tubular member.

4. A method as set forth in claim 3 wherein said step of inserting the one anchor into the tubular member includes engaging an inner side surface of the tubular member with the outer corner portion of the one anchor with at least a portion of one of the outer side surface areas on the one anchor spaced from the inner side surface of the tubular member.

5. A method as set forth in claim 1 wherein the one anchor has a second outer corner portion, said method further including applying force against an end portion of the one anchor with the force concentrated at the second corner portion of the one anchor to effect rotational movement of the one anchor relative to the body tissue.

6. A method as set forth in claim 1 wherein the one anchor has an axially extending wall portion disposed opposite from the outer corner portion of the one anchor, said method further including applying force against an end portion of the one anchor with the force concentrated at the wall portion of the one anchor to effect rotational movement of the one anchor relative to body tissue.

7. A method as set forth in claim 1 wherein the steps of tensioning the suture and transmitting force from the suture to the inner corner portion of the one anchor includes transmitting force from the suture to the inner corner portion of the one anchor with the force concentrated adjacent to an end portion of the one anchor to effect rotational movement of the one anchor relative to the body tissue.

8. A method as set forth in claim 1 wherein the steps of tensioning the suture and transmitting force from the suture to the inner corner portion of the one anchor includes transmitting force from the suture to the inner corner portion of the one anchor and pressing the outer corner portion of the one anchor into engagement with the body tissue.

9. A method as set forth in claim 1 wherein said step of providing at least one anchor includes providing a second anchor having an outer side with outer side surface areas interconnected by an outer corner portion, the second anchor has a passage with inner side surface areas interconnected by an inner corner portion, said method further including inserting the suture through the passage in the second anchor to provide an array of anchors on the suture with the array of anchors including at least the one anchor and the second anchor, said step of moving the one anchor through an opening in body tissue includes transmitting force from the second anchor to the one anchor.

10. A method as set forth in claim 1 wherein said step of providing at least one anchor includes providing a second anchor having an outer side with outer side surface areas

interconnected by an outer corner portion, the second anchor has a passage with inner side surface areas interconnected by an inner corner portion, said method further including inserting the suture through the passage in the second anchor to provide an array of anchors on the suture with the array of anchors including at least the one anchor and the second anchor, moving the second anchor through the opening in body tissue, moving the suture into engagement with the inner corner portion of the second anchor, and urging the outer corner portion of the second anchor into engagement with body tissue under the influence of force transmitted to the inner corner portion of the second anchor while performing said step of tensioning the suture.

11. A method as set forth in claim 10 further including transmitting force from the second anchor to the second end portion of the one anchor at a location spaced from the outer corner of the one anchor to effect rotational movement of the one anchor relative to the body tissue.

12. A method as set forth in claim 10 further including the steps of inserting a tubular member through the opening in the body tissue, inserting the one anchor into the tubular member, inserting the second anchor into the tubular member, said step of inserting the one anchor and the second anchor into the tubular member includes positioning the suture with the suture extending through the passage in the second anchor and through the passage in the one anchor.

13. A method as set forth in claim 12 wherein said step of inserting the one anchor into the tubular member includes engaging an inner side surface of the tubular member with the outer corner portion of the one anchor with at least a portion of one of the outer side surface areas on the one anchor spaced from the inner side surface of the tubular member, said step of inserting the second anchor into the tubular member includes engaging an inner side surface of the tubular member with the outer corner portion of the second anchor with at least a portion of one of the outer side surface areas on the second anchor spaced from the inner side surface of the tubular member.

14. A method as set forth in claim 10 wherein the one anchor has a second corner portion and the second anchor has a second corner portion, said method further including transmitting force from the second anchor to the one anchor with the force concentrated adjacent to the second corner portion of the one anchor, and applying force against the second anchor with the force concentrated adjacent to the second corner portion of the second anchor.

15. A method as set forth in claim 10 wherein the one anchor has a wall portion disposed opposite from the outer corner portion of the one anchor, the second anchor having a wall portion disposed opposite from the outer corner portion of the second anchor, said method further including transmitting force from the second anchor to the one anchor with the force concentrated at the wall portion of the one anchor.

16. A method as set forth in claim 10 further including pressing the one anchor and the second anchor together under the influence of force transmitted from the suture to the one anchor and to the second anchor while performing said step of tensioning the suture.

17. A method as set forth in claim 10 further including the step of changing the orientation of the one anchor and the second anchor relative to the body tissue while performing said step of tensioning the suture.

18. A method as set forth in claim 10 wherein said step of moving the one anchor through the opening in body tissue includes moving the one anchor along a linear path length, said step of moving the second anchor through the opening

in body tissue including moving the second anchor along the linear path length, said method further including moving the one anchor along a path length which is transverse to the linear path length while continuing to move the second anchor along the linear path length.

19. A method as set forth in claim 18 wherein said step of moving the one anchor along a path length which is transverse to the linear path length includes moving the one anchor under the influence force transmitted to the one anchor from the second anchor while continuing to move the second anchor along the linear path length.

20. A method of anchoring a suture, said method comprising the steps of providing at least one anchor having an outer side with flat outer side surface areas interconnected by an outer corner portion, the flat outer side surface areas and the corner portion of the one anchor extending axially along the one anchor between first and second end portions at axially opposite ends of the anchor, the one anchor has a passage with an inner surface having flat inner side surface areas interconnected by an inner corner portion which extend axially through the one anchor between the first and second end portions, inserting a suture through the passage extending between the first and second end portions of the one anchor, moving the one anchor through an opening in body tissue with the first end portion of the one anchor leading and with the suture extending through the passage in the one anchor and along the outer side of the one anchor, moving the suture into engagement with the inner corner portion of the one anchor, and, urging the outer corner portion and flat outer surface areas of the one anchor into engagement with the body tissue by tensioning the suture and transmitting force from the suture to the inner corner portion of the one anchor.

21. A method as set forth in claim 20 further including the steps of applying force against the second end portion of the one anchor at a location spaced from the outer corner portion of the one anchor to effect rotational movement of the one anchor relative to the body tissue.

22. A method as set forth in claim 20 further including the steps of inserting a tubular member through the opening in the body tissue, inserting the one anchor into the tubular member with the first end portion of the one anchor leading and with the suture extending into the tubular member, through the passage in the one anchor and along the outer side of the one anchor at a location disposed between one of the flat outer side surface areas and an inner side surface of the tubular member, said step of moving the one anchor through an opening in body tissue with the first end portion of the one anchor leading includes moving the one anchor through the opening in the body tissue with the one anchor in the tubular member.

23. A method as set forth in claim 20 wherein said step of inserting the one anchor into the tubular member includes engaging an inner side surface of the tubular member with the outer corner portion of the one anchor with at least one of the flat outer side surface areas on the one anchor spaced from the inner side surface of the tubular member.

24. A method as set forth in claim 20 wherein the one anchor has a second outer corner portion which extends axially along the one anchor between the first and second end portions, said method further including applying force against the second end portion of the one anchor with the force concentrated at the second corner portion of the one anchor to effect rotational movement of the one anchor relative to the body tissue.

25. A method as set forth in claim 20 wherein the one anchor has an axially extending wall portion disposed oppo-

site from the outer corner portion of the one anchor, said method further including applying force against the second end portion of the one anchor with the force concentrated at the wall portion of the one anchor to effect rotational movement of the one anchor relative to body tissue.

26. A method as set forth in claim 20 wherein the steps of tensioning the suture and transmitting force from the suture to the inner corner portion of the one anchor includes transmitting force from the suture to the inner corner portion of the one anchor with the force concentrated adjacent to the first end portion of the one anchor to effect rotational movement of the one anchor relative to the body tissue.

27. A method as set forth in claim 20 wherein the steps of tensioning the suture and transmitting force from the suture to the inner corner portion of the one anchor includes transmitting force from the suture to the inner corner portion of the one anchor with force being applied to the inner corner portion of the one anchor along the axial extent of the inner corner portion of the one anchor to urge the outer corner portion of the one anchor into engagement with the body tissue along the axial extent of the outer corner portion of the one anchor.

28. A method as set forth in claim 20 wherein said step of providing at least one anchor includes providing a second anchor having an outer side with flat outer side surface areas interconnected by an outer corner portion, the flat outer side surface areas and the corner portion of the second anchor extending axially along the second anchor between first and second end portions at axially opposite ends of the second anchor, the second anchor has a passage with an inner surface having flat inner side surface areas interconnected by an inner corner portion which extend axially through the second anchor between the first and second end portions of the second anchor, said method further including inserting the suture through the passage extending between the first and second end portions of the second anchor to provide an array of anchors on the suture with the array of anchors including at least the one anchor and the second anchor, said step of moving the one anchor through an opening in body tissue with the first end portion of the one anchor leading including transmitting force from the first end portion of the second anchor to the second end portion of the one anchor.

29. A method as set forth in claim 20 wherein said step of providing at least one anchor includes providing a second anchor having an outer side with flat outer side surface areas interconnected by an outer corner portion, the flat outer side surface areas and the corner portion of the second anchor extending axially along the second anchor between first and second end portions at axially opposite ends of the second anchor, the second anchor has a passage with an inner surface having flat inner side surface areas interconnected by an inner corner portion which extend axially through the second anchor between the first and second end portions of the second anchor, said method further including inserting the suture through the passage extending between the first and second end portions of the second anchor to provide an array of anchors on the suture with the array of anchors including at least the one anchor and the second anchor, moving the second anchor through the opening in body tissue with the first end portion of the second anchor leading, moving the suture into engagement with the inner corner portion of the second anchor, and urging the outer corner portion and flat outer side surface areas of the second anchor into engagement with body tissue under the influence of force transmitted to the inner corner portion of the second anchor while performing said step of tensioning the suture.

30. A method as set forth in claim 29 further including transmitting force from the second anchor to the second end



portion of the one anchor at a location spaced from the outer corner of the one anchor to effect rotational movement of the one anchor relative to the body tissue.

31. A method as set forth in claim 29 further including the steps of inserting a tubular member through the opening in the body tissue, inserting the one anchor into the tubular member with the first end portion of the one anchor leading, inserting the second anchor into the tubular member with the first end portion of the second anchor leading and with the first end portion of the second anchor adjacent to the second end portion of the one anchor, said step of inserting the one anchor and the second anchor into the tubular member including positioning the suture with the suture extending through the passage in the second anchor, through the passage in the one anchor, along the outer side of the one anchor at a location disposed between one of the flat outer side surface areas on the one anchor and an inner side surface of the tubular member, and along the outer side of the second anchor at a location disposed between one of the flat outer side surface areas on the second anchor and an inner side surface of the tubular member.

32. A method as set forth in claim 31 wherein said step of inserting the one anchor into the tubular member includes engaging an inner side surface of the tubular member with the outer corner portion of the one anchor with at least one of the flat outer side surface areas on the one anchor spaced from the inner side surface of the tubular member, said step of inserting the second anchor into the tubular member includes engaging an inner side surface of the tubular member with the outer corner portion of the second anchor with at least one of the flat outer side surface areas on the second anchor spaced from the inner side surface of the tubular member.

33. A method as set forth in claim 29 wherein the one anchor has a second corner portion which extends axially along the one anchor between the first and second end portions of the one anchor, the second anchor has a second corner portion which extends axially along the second anchor between the first and second end portions of the second anchor, said method further including transmitting force from the second anchor to the second end portion of the one anchor with the force concentrated adjacent to the

second corner portion of the one anchor, and applying force against the second end portion of the second anchor with the force concentrated adjacent to the second corner portion of the second anchor.

34. A method as set forth in claim 29 wherein the one anchor has an axially extending wall portion disposed opposite from the outer corner portion of the one anchor, the second anchor having an axially extending wall portion disposed opposite from the outer corner portion of the second anchor, said method further including transmitting force from the second anchor to the second end portion of the one anchor with the force concentrated at the wall portion of the one anchor.

35. A method as set forth in claim 29 further including pressing the second end portion of the one anchor and the first end portion of the second anchor together under the influence of force transmitted from the suture to the first end portion of the one anchor and to the second end portion of the second anchor while performing said step of tensioning the suture.

36. A method as set forth in claim 29 further including the step of changing the orientation of the one anchor and the second anchor relative to the body tissue while performing said step of tensioning the suture.

37. A method as set forth in claim 29 wherein said step of moving the one anchor through the opening in body tissue includes moving the one anchor along a linear path length, said step of moving the second anchor through the opening in body tissue including moving the second anchor along the linear path length, said method further including moving the one anchor along a path length which is transverse to the linear path length while continuing to move the second anchor along the linear path length.

38. A method as set forth in claim 32 wherein said step of moving the one anchor along a path length which is transverse to the linear path length includes moving the one anchor under the influence force transmitted to the one anchor from the second anchor while continuing to move the second anchor along the linear path length.

\* \* \* \* \*

UNITED STATES PATENT AND TRADEMARK OFFICE  
**CERTIFICATE OF CORRECTION**


PATENT NO. : 5,941,900  
DATED : August 24, 1999  
INVENTOR(S) : Peter M. Bonutti

It is certified that error appears in the above-identified patent and that said Letters Patent is hereby corrected as shown below:

Column 25, line 52, change "20" to "22"  
Column 28 line 35, change "32" to "37"

Signed and Sealed this  
Twenty-eighth Day of November, 2000

*Attest:*



Q. TODD DICKINSON

*Attesting Officer*

*Director of Patents and Trademarks*