

(19) World Intellectual Property Organization
International Bureau



(43) International Publication Date
4 December 2003 (04.12.2003)

PCT

(10) International Publication Number
WO 2003/099463 A3

(51) International Patent Classification⁷: B41K 1/02,
3/04, 1/26, B41M 1/40, 1/06

(21) International Application Number:
PCT/IB2003/002003

(22) International Filing Date: 26 May 2003 (26.05.2003)

(25) Filing Language: English

(26) Publication Language: English

(30) Priority Data:
02077079.8 27 May 2002 (27.05.2002) EP
02077087.1 27 May 2002 (27.05.2002) EP

(71) Applicant (for all designated States except US): KONINKLIJKE PHILIPS ELECTRONICS N.V. [NL/NL]; Groenewoudseweg 1, NL-5621 BA Eindhoven (NL).

(72) Inventors; and

(75) Inventors/Applicants (for US only): DONA, Marinus, J., J. [NL/NL]; c/o Prof. Holstlaan 6, NL-5656 AA Eindhoven (NL). BLEES, Martin, H. [NL/NL]; c/o Prof. Holstlaan 6, NL-5656 AA Eindhoven (NL). DECRE, Michel, M. J. [BE/NL]; c/o Prof. Holstlaan 6, NL-5656 AA Eindhoven (NL). VAN EERD, Patrick, P., J.

[NL/NL]; c/o Prof. Holstlaan 6, NL-5656 AA Eindhoven (NL). SCHROEDERS, Richard, J., M. [NL/NL]; c/o Prof. Holstlaan 6, NL-5656 AA Eindhoven (NL). HEIJMANS, Teunis, J., A. [NL/NL]; c/o Prof. Holstlaan 6, NL-5656 AA Eindhoven (NL). JANSSEN, Chris, L., J. [NL/NL]; c/o Prof. Holstlaan 6, NL-5656 AA Eindhoven (NL). SLIKKERVEER, Peter, J. [NL/NL]; c/o Prof. Holstlaan 6, NL-5656 AA Eindhoven (NL). RENS, Bas, J., E. [NL/NL]; c/o Prof. Holstlaan 6, NL-5656 AA Eindhoven (NL).

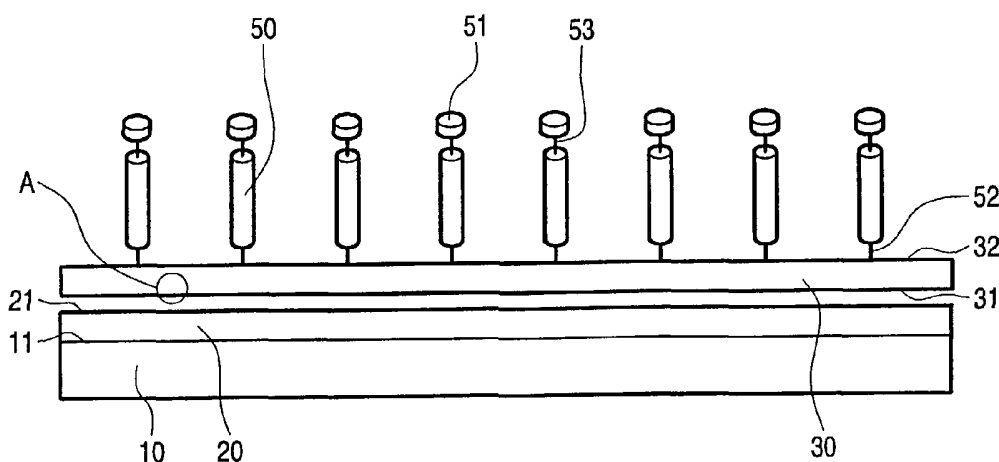
(74) Agent: DEGUELLE, Wilhelmus, H., G.; Philips Intellectual Property & Standards, Prof. Holstlaan 6, NL-5656 AA Eindhoven (NL).

(81) Designated States (national): AE, AG, AL, AM, AT, AU, AZ, BA, BB, BG, BR, BY, BZ, CA, CH, CN, CO, CR, CU, CZ, DE, DK, DM, DZ, EC, EE, ES, FI, GB, GD, GE, GH, GM, HR, HU, ID, IL, IN, IS, JP, KE, KG, KP, KR, KZ, LC, LK, LR, LS, LT, LU, LV, MA, MD, MG, MK, MN, MW, MX, MZ, NI, NO, NZ, OM, PH, PL, PT, RO, RU, SC, SD, SE, SG, SK, SL, TJ, TM, TN, TR, TT, TZ, UA, UG, US, UZ, VC, VN, YU, ZA, ZM, ZW.

(84) Designated States (regional): ARIPO patent (GH, GM, KE, LS, MW, MZ, SD, SL, SZ, TZ, UG, ZM, ZW), Eurasian patent (AM, AZ, BY, KG, KZ, MD, RU, TJ, TM), European patent (AT, BE, BG, CH, CY, CZ, DE, DK, EE,

[Continued on next page]

(54) Title: METHOD AND DEVICE FOR TRANSFERRING A PATTERN FROM A STAMP TO A SUBSTRATE



(57) Abstract: The invention relates to a method for transferring a pattern from a stamping surface (31) of a stamp (30) to a receiving surface (21) of a substrate (20). The pattern is transferred to the receiving surface (21) by successively bringing portions of the pattern within such a range of the receiving surface (21) during a certain period, that the pattern is locally transferred from the stamping surface (31) to the receiving surface (21). The individual portions can be moved by means of individual actuators (50). By applying the method, the transfer of the pattern can be performed according to a wave, which is for example ring-shaped, moving from the center of the receiving surface (21) to the circumference, or linear, moving from side of the receiving surface (21) to an opposite side.

WO 2003/099463 A3



ES, FI, FR, GB, GR, HU, IE, IT, LU, MC, NL, PT, RO,
SE, SI, SK, TR), OAPI patent (BF, BJ, CF, CG, CI, CM,
GA, GN, GQ, GW, ML, MR, NE, SN, TD, TG).

(88) **Date of publication of the international search report:**
16 September 2004

Published:

- *with international search report*
- *before the expiration of the time limit for amending the claims and to be republished in the event of receipt of amendments*

For two-letter codes and other abbreviations, refer to the "Guidance Notes on Codes and Abbreviations" appearing at the beginning of each regular issue of the PCT Gazette.

INTERNATIONAL SEARCH REPORT

International Application No
PCT/IB 03/02003

A. CLASSIFICATION OF SUBJECT MATTER
 IPC 7 B41K1/02 B41K3/04 B41K1/26 B41M1/40 B41M1/06

According to International Patent Classification (IPC) or to both national classification and IPC

B. FIELDS SEARCHED
 Minimum documentation searched (classification system followed by classification symbols)
 IPC 7 B41K B41M B05C B05D

Documentation searched other than minimum documentation to the extent that such documents are included in the fields searched

Electronic data base consulted during the international search (name of data base and, where practical, search terms used)
 EPO-Internal, PAJ, WPI Data

C. DOCUMENTS CONSIDERED TO BE RELEVANT

Category °	Citation of document, with indication, where appropriate, of the relevant passages	Relevant to claim No.
X	WO 97/06012 A (INTERNATIONAL BUSINESS MACHINES CORPORATION) 20 February 1997 (1997-02-20)	16
Y	see abstract page 8, line 14 - page 10, line 4; claims 1-9; figures 1-8	1-9, 17, 21
Y	DE 11 03 357 B (KONRAD ELSÄSSER) 30 March 1961 (1961-03-30)	1-9, 21
A	the whole document	10-15
Y	DE 94 221 C (FRITZ ALTMANN) 1 July 1896 (1896-07-01)	17
A	US 1 527 921 A (E. R. RODRIGUEZ) 24 February 1925 (1925-02-24)	1-17, 21
	----- -/--	

Further documents are listed in the continuation of box C. Patent family members are listed in annex.

° Special categories of cited documents :

<p>*A* document defining the general state of the art which is not considered to be of particular relevance</p> <p>*E* earlier document but published on or after the international filing date</p> <p>*L* document which may throw doubts on priority claim(s) or which is cited to establish the publication date of another citation or other special reason (as specified)</p> <p>*O* document referring to an oral disclosure, use, exhibition or other means</p> <p>*P* document published prior to the international filing date but later than the priority date claimed</p>	<p>*T* later document published after the international filing date or priority date and not in conflict with the application but cited to understand the principle or theory underlying the invention</p> <p>*X* document of particular relevance; the claimed invention cannot be considered novel or cannot be considered to involve an inventive step when the document is taken alone</p> <p>*Y* document of particular relevance; the claimed invention cannot be considered to involve an inventive step when the document is combined with one or more other such documents, such combination being obvious to a person skilled in the art.</p> <p>*Z* document member of the same patent family</p>
--	--

Date of the actual completion of the international search 6 May 2004	Date of mailing of the international search report 02. 08. 2004
--	---

Name and mailing address of the ISA European Patent Office, P.B. 5818 Patentlaan 2 NL - 2280 HV Rijswijk Tel. (+31-70) 340-2040, Tx. 31 651 epo nl, Fax: (+31-70) 340-3016	Authorized officer Greiner, E
--	---

INTERNATIONAL SEARCH REPORT

International Application No
PCT/IB 03/02003

C.(Continuation) DOCUMENTS CONSIDERED TO BE RELEVANT		
Category °	Citation of document, with indication, where appropriate, of the relevant passages	Relevant to claim No.
A	GB 1 005 502 A (ELLI COCK & HEALY LIMITED) 22 September 1965 (1965-09-22) the whole document -----	1-17,21
A	US 5 900 160 A (GEORGE M. WHITESIDES ET AL.) 4 May 1999 (1999-05-04) the whole document -----	1-17,21
A	YOUNAN XIA ET AL.: "Soft Lithography" ANGEW. CHEM. INT., 1998, pages 551-575, XP000985399 Weinheim the whole document -----	1-17,21
A	WO 97/06013 A (INTERNATIONAL BUSINESS MACHINES CORPORATION) 20 February 1997 (1997-02-20) the whole document -----	1-17,21
A	WO 01/59523 A (KONIKLIJKE PHILIPS ELECTRONICS N.V.) 16 August 2001 (2001-08-16) cited in the application the whole document -----	1-17,21

INTERNATIONAL SEARCH REPORT

International application No.
PCT/IB 03/02003

Box I Observations where certain claims were found unsearchable (Continuation of item 1 of first sheet)

This International Search Report has not been established in respect of certain claims under Article 17(2)(a) for the following reasons:

1. Claims Nos.:
because they relate to subject matter not required to be searched by this Authority, namely:

2. Claims Nos.:
because they relate to parts of the International Application that do not comply with the prescribed requirements to such an extent that no meaningful International Search can be carried out, specifically:

3. Claims Nos.:
because they are dependent claims and are not drafted in accordance with the second and third sentences of Rule 6.4(a).

Box II Observations where unity of invention is lacking (Continuation of item 2 of first sheet)

This International Searching Authority found multiple inventions in this international application, as follows:

see additional sheet

1. As all required additional search fees were timely paid by the applicant, this International Search Report covers all searchable claims.

2. As all searchable claims could be searched without effort justifying an additional fee, this Authority did not invite payment of any additional fee.

3. As only some of the required additional search fees were timely paid by the applicant, this International Search Report covers only those claims for which fees were paid, specifically claims Nos.:

4. No required additional search fees were timely paid by the applicant. Consequently, this International Search Report is restricted to the invention first mentioned in the claims; it is covered by claims Nos.:

1-17, 21

Remark on Protest

- The additional search fees were accompanied by the applicant's protest.
- No protest accompanied the payment of additional search fees.

FURTHER INFORMATION CONTINUED FROM PCT/ISA/ 210

This International Searching Authority found multiple (groups of) inventions in this international application, as follows:

1. claims: 1 - 17, 21

Successively actuated individual stamping surfaces

2. claims: 18 - 20

Stamp having a pressure sheet

INTERNATIONAL SEARCH REPORT

Information on patent family members

International Application No

PCT/IB 03/02003

Patent document cited in search report		Publication date	Patent family member(s)	Publication date
WO 9706012	A	20-02-1997	US 5817242 A	06-10-1998
			WO 9706012 A1	20-02-1997
			DE 69524247 D1	10-01-2002
			DE 69524247 T2	08-08-2002
			EP 0784542 A1	23-07-1997
			JP 9511710 T	25-11-1997
			JP 3372258 B2	27-01-2003
DE 1103357	B	30-03-1961	NONE	
DE 94221	C		NONE	
US 1527921	A	24-02-1925	NONE	
GB 1005502	A	22-09-1965	NONE	
US 5900160	A	04-05-1999	US 6180239 B1	30-01-2001
			US 5512131 A	30-04-1996
			EP 0812434 A2	17-12-1997
			WO 9629629 A2	26-09-1996
WO 9706013	A	20-02-1997	WO 9706013 A1	20-02-1997
			DE 69516528 D1	31-05-2000
			DE 69516528 T2	23-11-2000
			EP 0784543 A1	23-07-1997
			JP 9511711 T	25-11-1997
			JP 3415850 B2	09-06-2003
			US 5925259 A	20-07-1999
WO 0159523	A	16-08-2001	WO 0159523 A1	16-08-2001
			EP 1171800 A1	16-01-2002
			JP 2003522653 T	29-07-2003
			TW 562754 B	21-11-2003
			US 2001027570 A1	04-10-2001