

(19) World Intellectual Property Organization  
International Bureau



(43) International Publication Date  
9 September 2011 (09.09.2011)

(10) International Publication Number  
**WO 2011/109639 A3**

(51) International Patent Classification:  
*B60P 1/54* (2006.01)      *B60P 1/00* (2006.01)  
*B66C 23/42* (2006.01)

(21) International Application Number:  
PCT/US2011/027058

(22) International Filing Date:  
3 March 2011 (03.03.2011)

(25) Filing Language: English

(26) Publication Language: English

(30) Priority Data:  
61/311,091      5 March 2010 (05.03.2010)      US

(72) Inventor; and

(71) Applicant : SEALES, Paul [US/US]; 41786 FM 150,  
Los Fresnos, Texas 78566 (US).

(74) Agents: PATTERSON, William B. et al.; Patterson &  
Sheridan, LLP, 3040 Post Oak Blvd., Suite 1500, Hous-  
ton, Texas 77056 (US).

CA, CH, CL, CN, CO, CR, CU, CZ, DE, DK, DM, DO,  
DZ, EC, EE, EG, ES, FI, GB, GD, GE, GH, GM, GT,  
HN, HR, HU, ID, IL, IN, IS, JP, KE, KG, KM, KN, KP,  
KR, KZ, LA, LC, LK, LR, LS, LT, LU, LY, MA, MD,  
ME, MG, MK, MN, MW, MX, MY, MZ, NA, NG, NI,  
NO, NZ, OM, PE, PG, PH, PL, PT, RO, RS, RU, SC, SD,  
SE, SG, SK, SL, SM, ST, SV, SY, TH, TJ, TM, TN, TR,  
TT, TZ, UA, UG, US, UZ, VC, VN, ZA, ZM, ZW.

(84) Designated States (unless otherwise indicated, for every  
kind of regional protection available): ARIPO (BW, GH,  
GM, KE, LR, LS, MW, MZ, NA, SD, SL, SZ, TZ, UG,  
ZM, ZW), Eurasian (AM, AZ, BY, KG, KZ, MD, RU, TJ,  
TM), European (AL, AT, BE, BG, CH, CY, CZ, DE, DK,  
EE, ES, FI, FR, GB, GR, HR, HU, IE, IS, IT, LT, LU,  
LV, MC, MK, MT, NL, NO, PL, PT, RO, RS, SE, SI, SK,  
SM, TR), OAPI (BF, BJ, CF, CG, CI, CM, GA, GN, GQ,  
GW, ML, MR, NE, SN, TD, TG).

Published:

- with international search report (Art. 21(3))
- before the expiration of the time limit for amending the  
claims and to be republished in the event of receipt of  
amendments (Rule 48.2(h))

(81) Designated States (unless otherwise indicated, for every  
kind of national protection available): AE, AG, AL, AM,  
AO, AT, AU, AZ, BA, BB, BG, BH, BR, BW, BY, BZ,

[Continued on next page]

(54) Title: TRUCK-MOUNTED CRANE

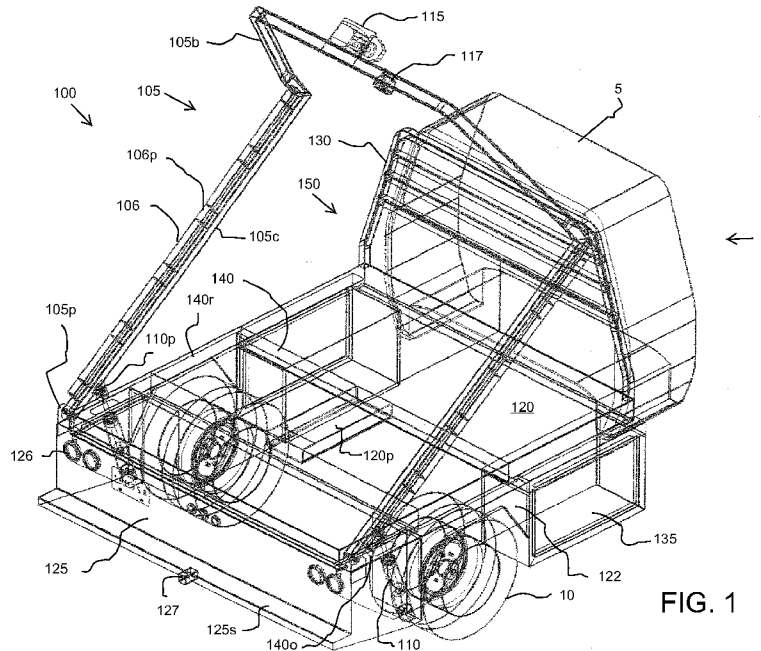


FIG. 1

(57) Abstract: A crane for mounting on a truck includes a base. The base includes a cargo bed welded or fastened to a frame and the frame for fastening to a chassis of a truck. The crane further includes a boom rotatable relative to the base between a vertical position and a horizontal position; a boom hoist operable to raise and lower the boom between the positions; and a load hoist operable to hoist cargo located proximate

[Continued on next page]



WO 2011/109639 A3

(88) Date of publication of the international search report:  
19 January 2012

---

to a rear end of the truck when the boom is in the vertical position and operable to carry the cargo toward a cab of the truck as the boom is lowered to the horizontal position, thereby loading the cargo onto the cargo bed.

**A. CLASSIFICATION OF SUBJECT MATTER*****B60P 1/54(2006.01)i, B66C 23/42(2006.01)i, B60P 1/00(2006.01)i***

According to International Patent Classification (IPC) or to both national classification and IPC

**B. FIELDS SEARCHED**

Minimum documentation searched (classification system followed by classification symbols)

B60P 1/54; A01D 34/64; B60P 1/16; B60P 3/12; B60P 1/00

Documentation searched other than minimum documentation to the extent that such documents are included in the fields searched

Korean utility models and applications for utility models

Japanese utility models and applications for utility models

Electronic data base consulted during the international search (name of data base and, where practicable, search terms used)

eKOMPASS(KIPO internal) &amp; Keywords: truck, hoist, crane, boom, vertical, load

**C. DOCUMENTS CONSIDERED TO BE RELEVANT**

Category*	Citation of document, with indication, where appropriate, of the relevant passages	Relevant to claim No.
A	US 2006-0133916 A1 (STEVEN WOOD) 22 June 2006 See paragraph 17 to paragraph 33; claims 1-18	1-20
A	US 2009-0115238 A1 (LANE THOMAS M.) 07 May 2009 See paragraph 6 to paragraph 70; claims 1-20	1-20
A	US 2003-0082038 A1 (PABLO NOLASCO) 01 May 2003 See paragraph 26 to paragraph 96; claims 1-25	1-20
A	JP 2000-083436 A (SANYO KIKI KK) 28 March 2000 See paragraph 3 to paragraph 29; claims 1-6	1-20

 Further documents are listed in the continuation of Box C. See patent family annex.

\* Special categories of cited documents:

"A" document defining the general state of the art which is not considered to be of particular relevance

"E" earlier application or patent but published on or after the international filing date

"L" document which may throw doubts on priority claim(s) or which is cited to establish the publication date of citation or other special reason (as specified)

"O" document referring to an oral disclosure, use, exhibition or other means

"P" document published prior to the international filing date but later than the priority date claimed

"T" later document published after the international filing date or priority date and not in conflict with the application but cited to understand the principle or theory underlying the invention

"X" document of particular relevance; the claimed invention cannot be considered novel or cannot be considered to involve an inventive step when the document is taken alone

"Y" document of particular relevance; the claimed invention cannot be considered to involve an inventive step when the document is combined with one or more other such documents, such combination being obvious to a person skilled in the art

"&amp;" document member of the same patent family

Date of the actual completion of the international search

22 NOVEMBER 2011 (22.11.2011)

Date of mailing of the international search report

**23 NOVEMBER 2011 (23.11.2011)**

Name and mailing address of the ISA/KR

Korean Intellectual Property Office  
Government Complex-Daejeon, 189 Cheongsu-ro,  
Seo-gu, Daejeon 302-701, Republic of Korea

Facsimile No. 82-42-472-7140

Authorized officer

Lee Hoo Jin

Telephone No. 82-42-481-8557



**INTERNATIONAL SEARCH REPORT**

Information on patent family members

International application No.

**PCT/US2011/027058**

Patent document cited in search report	Publication date	Patent family member(s)	Publication date
US 2006-0133916 A1	22.06.2006	None	
US 2009-0115238 A1	07.05.2009	None	
US 2003-0082038 A1	01.05.2003	US 2004-0105746 A1 US 7153082 B2	03.06.2004 26.12.2006
JP 2000-083436 A	28.03.2000	None	