



US00D518056S

(12) **United States Design Patent**
Ma et al.

(10) **Patent No.:** **US D518,056 S**
(45) **Date of Patent:** **** Mar. 28, 2006**

- (54) **PISTOL SHAPED COMPUTER MOUSE**
- (75) Inventors: **Jeffrey Ma**, Redwood City, CA (US);
Ain McKendrick, Menlo Park, CA (US); **Robert Yuan**, Belmont, CA (US)
- (73) Assignee: **MonsterGecko, LLC**, Palo Alto, CA (US)
- (**) Term: **14 Years**

D385,539 S	10/1997	Taylor	
D405,073 S	2/1999	Mayer	
5,894,303 A	4/1999	Barr	
D444,786 S *	7/2001	Otomi et al.	D14/418
6,262,715 B1	7/2001	Sawyer	
D458,265 S *	6/2002	Fitch	D14/429
D472,241 S *	3/2003	Kim	D14/418
6,577,298 B1	6/2003	Krog	
D477,602 S	7/2003	Alsio	
D483,763 S *	12/2003	Marsac	D14/403

* cited by examiner

Primary Examiner—Pamela Burgess

- (21) Appl. No.: **29/198,882**
- (22) Filed: **Feb. 5, 2004**

- (51) **LOC (8) CL.** **14-02**
 - (52) **U.S. CL.** **D14/403**
 - (58) **Field of Classification Search** D14/402,
D14/403, 405, 417, 418, 420, 426-430; D21/324-333;
200/5 R, 5 A, 6 R, 6 A; 273/148 B; 345/156-167;
463/36-39
- See application file for complete search history.

(57) **CLAIM**

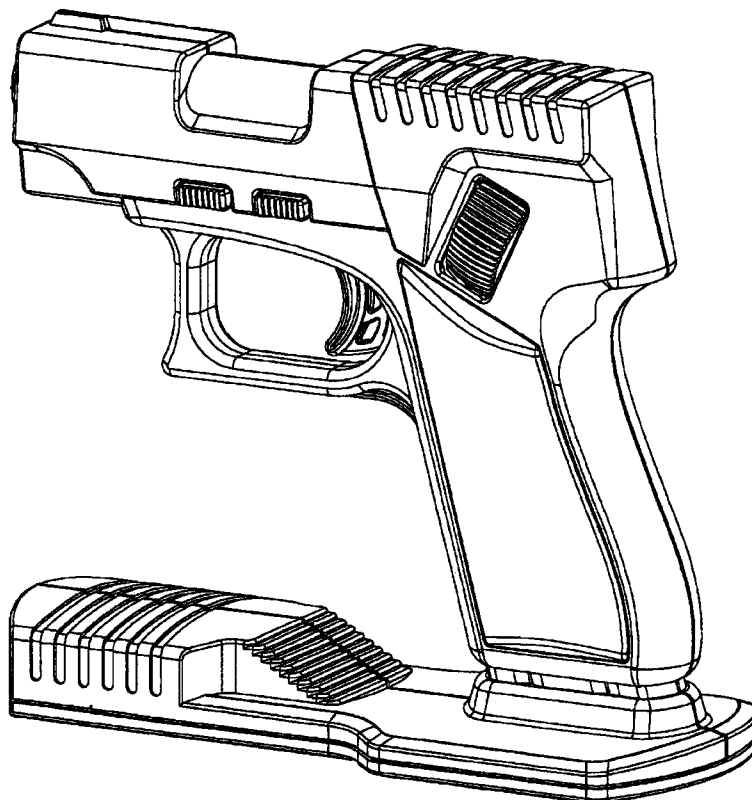
The ornamental design for a pistol shaped computer mouse, as shown.

DESCRIPTION

FIG. 1 is a left side perspective view of a pistol shaped computer mouse showing our new design;
 FIG. 2 is a right side perspective view thereof;
 FIG. 3 is a top plan view thereof;
 FIG. 4 is a bottom plan view thereof;
 FIG. 5 is a left side elevational view thereof;
 FIG. 6 is a right side elevational view thereof;
 FIG. 7 is a front elevational view thereof; and,
 FIG. 8 is a rear elevational view thereof.

- (56) **References Cited**
- U.S. PATENT DOCUMENTS
- 5,355,147 A 10/1994 Lear
- D367,047 S 2/1996 Hood
- D367,272 S 2/1996 Hood
- 5,576,733 A 11/1996 Lo
- D381,970 S 8/1997 Gasca

1 Claim, 8 Drawing Sheets



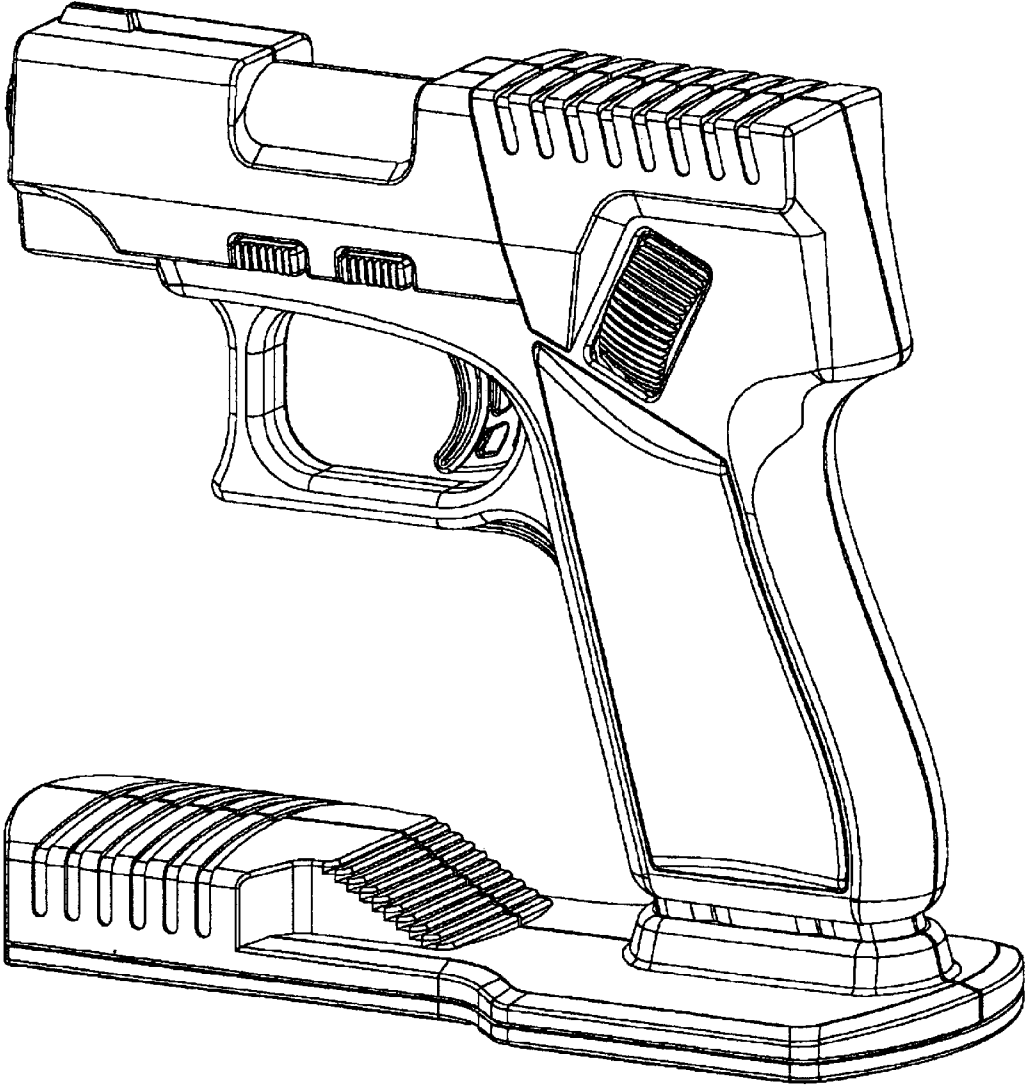


FIG. 1

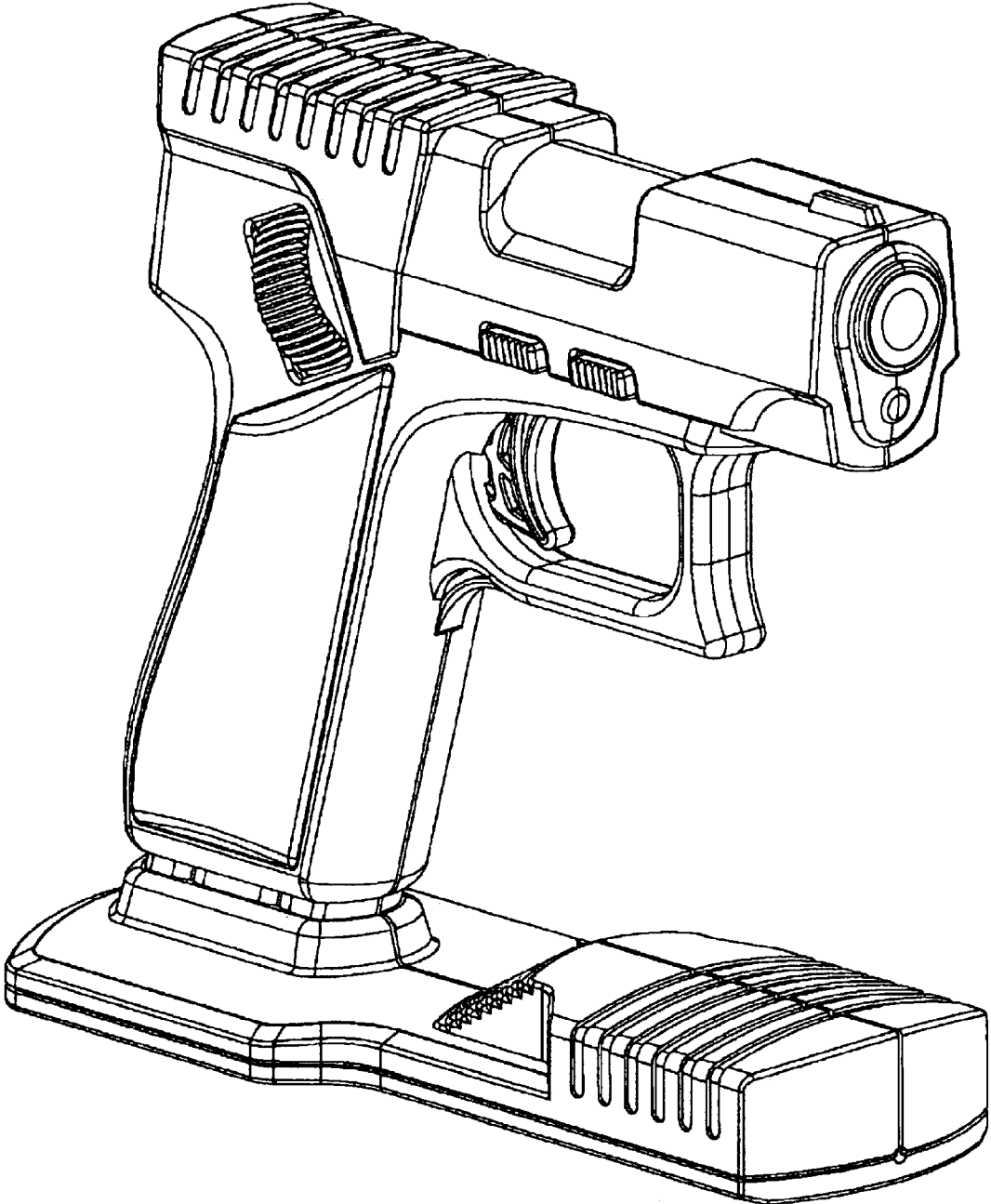


FIG. 2

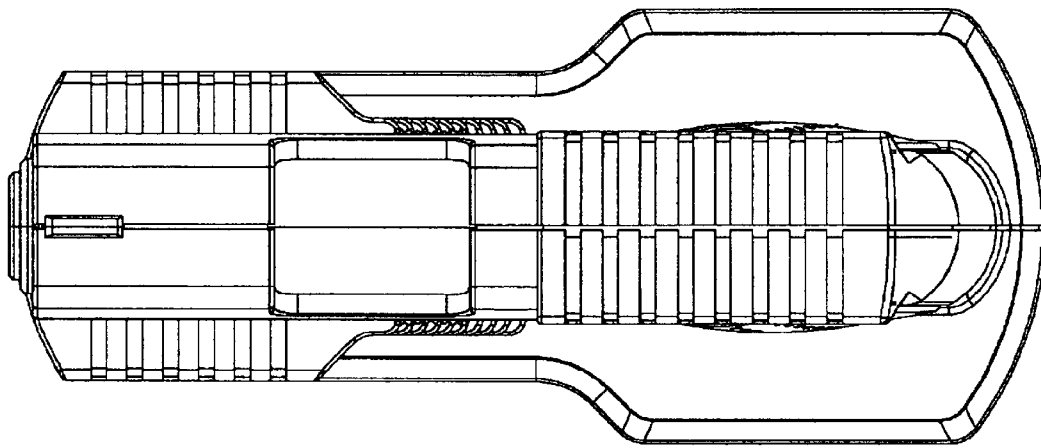


FIG. 3

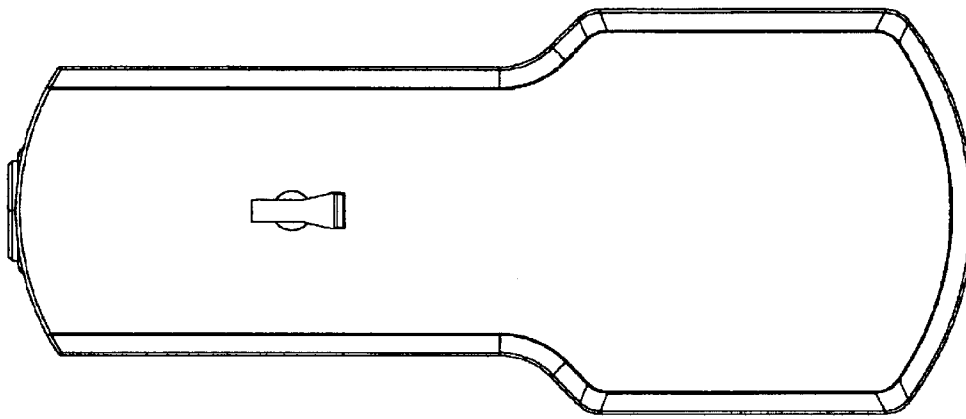


FIG. 4

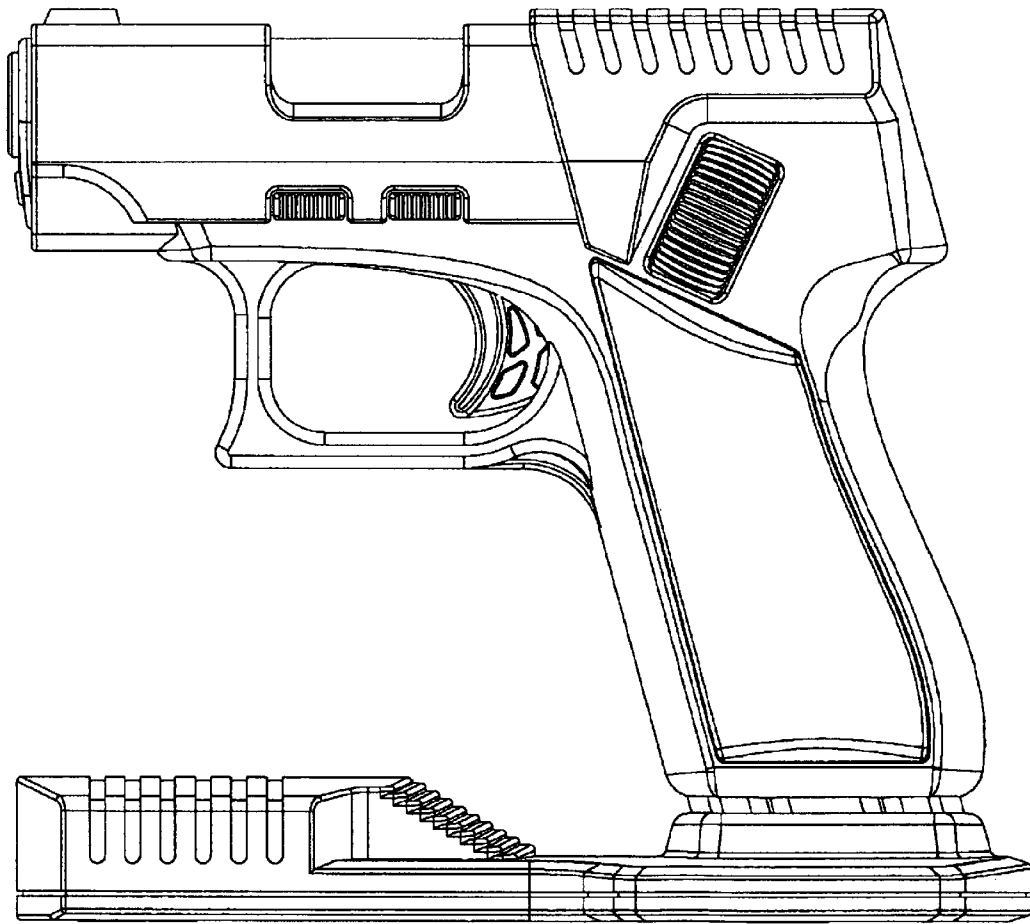


FIG. 5

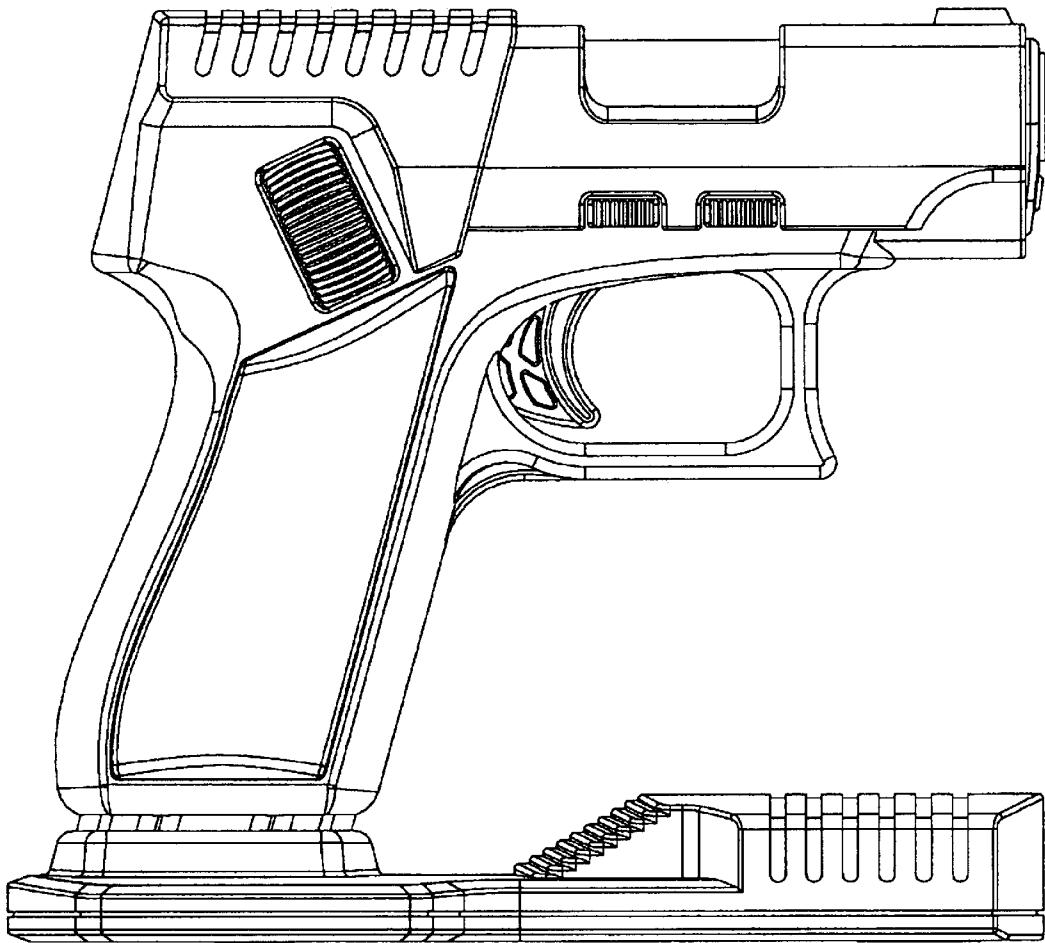


FIG. 6

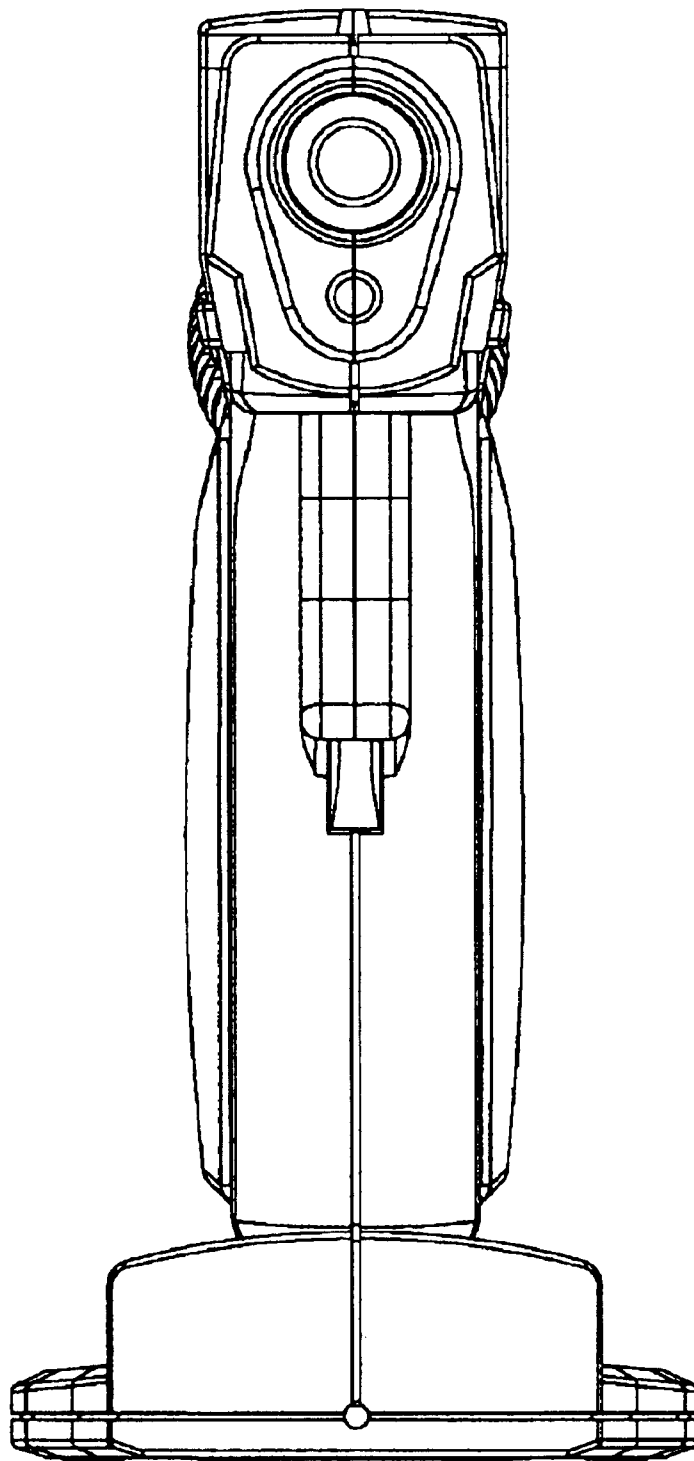


FIG. 7

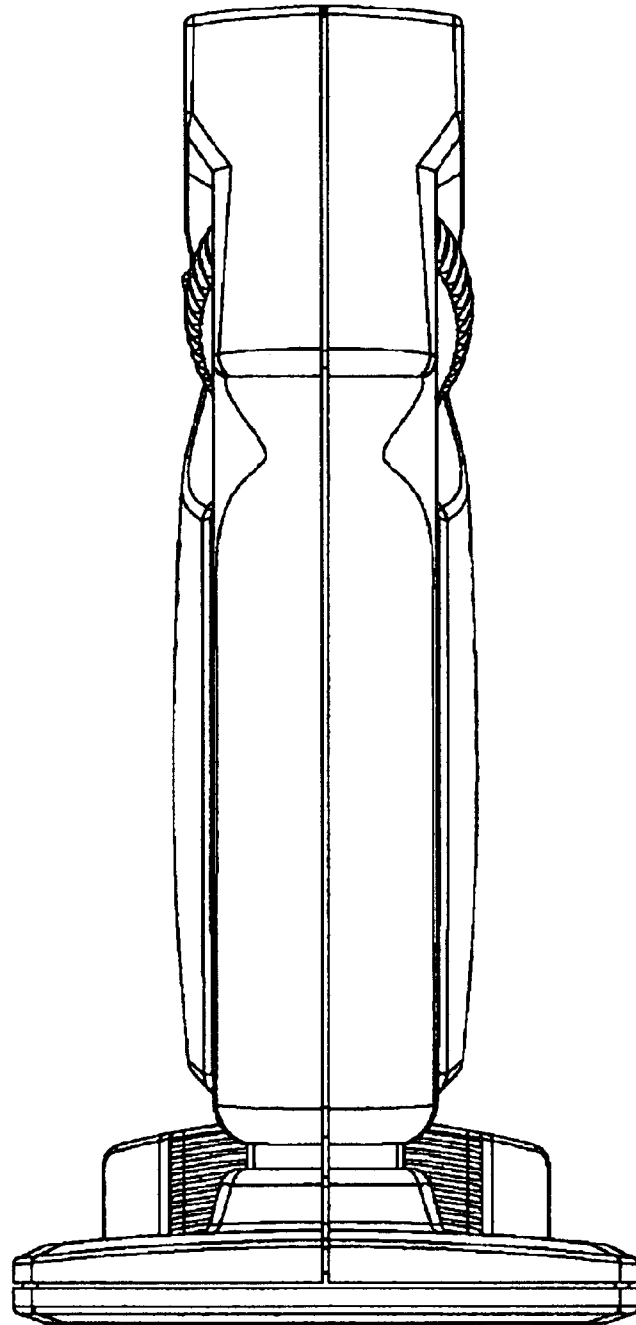


FIG. 8