



US 20210030076A1

(19) **United States**

(12) **Patent Application Publication**
LEE

(10) **Pub. No.: US 2021/0030076 A1**

(43) **Pub. Date: Feb. 4, 2021**

(54) **INNER WRAPPER FOR INFANT**

(52) **U.S. Cl.**

(71) Applicant: **Jongjin LEE**, Seoul (KR)

CPC *A41B 13/065* (2013.01); *A41B 2300/322*
(2013.01); *A44B 18/00* (2013.01); *A44B*
19/265 (2013.01)

(72) Inventor: **Jongjin LEE**, Seoul (KR)

(21) Appl. No.: **16/964,561**

(57)

ABSTRACT

(22) PCT Filed: **Jan. 25, 2018**

(86) PCT No.: **PCT/KR2018/001092**

§ 371 (c)(1),

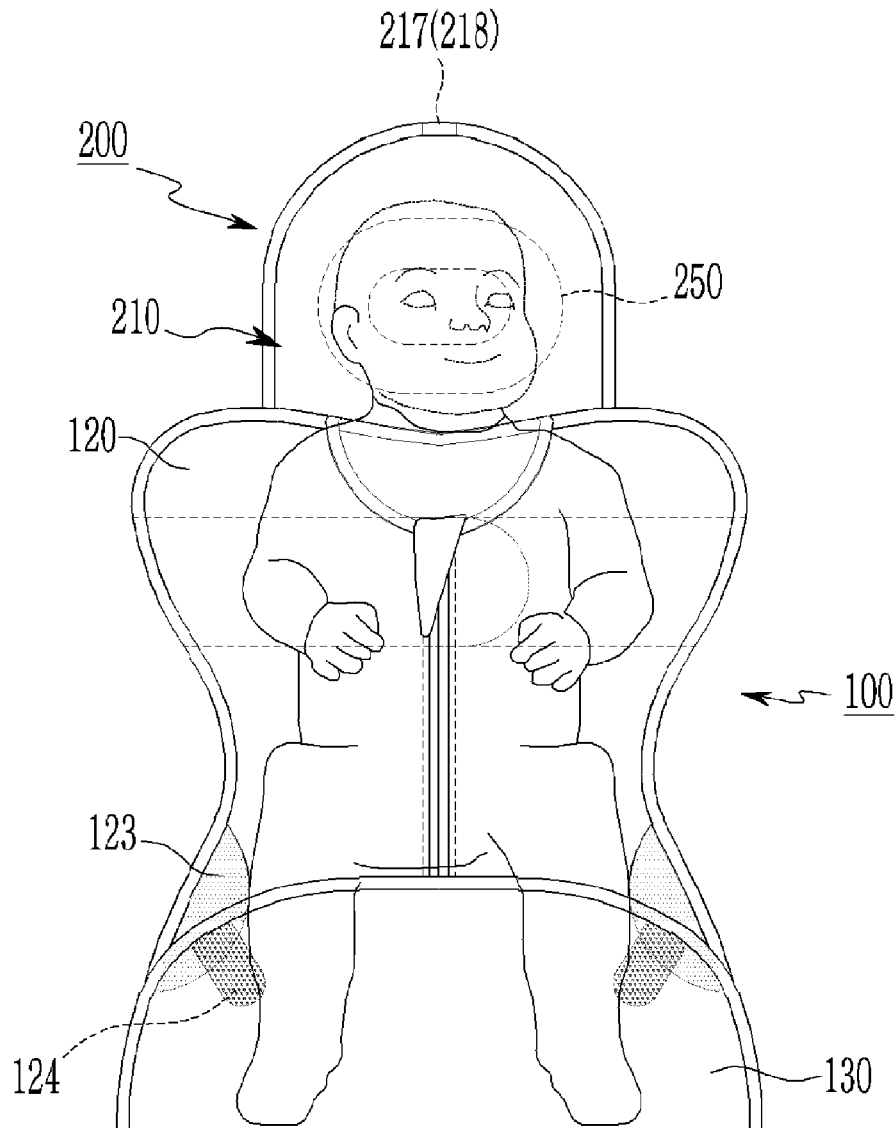
(2) Date: **Jul. 23, 2020**

A multifunctional inner wrapper for infants for wrapping the body of an infant, including a newborn baby to ensure comfortable sleep, provides a comfortable sitting posture in a baby carriage, and stably and conveniently handles the infant. An inner wrapper for infants includes a body wrapping part that is openable/closable by a zipper provided on the front thereof, a back/head supporting part formed to extend from the upper side of the body wrapping part to the waist of an infant, and a head supporting part provided on the front of the upper side of the back/head supporting part.

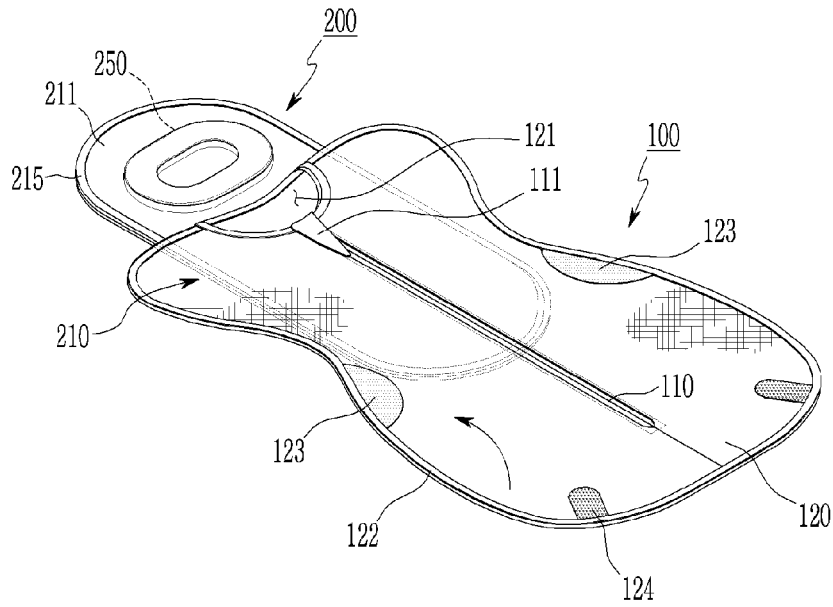
Publication Classification

(51) **Int. Cl.**

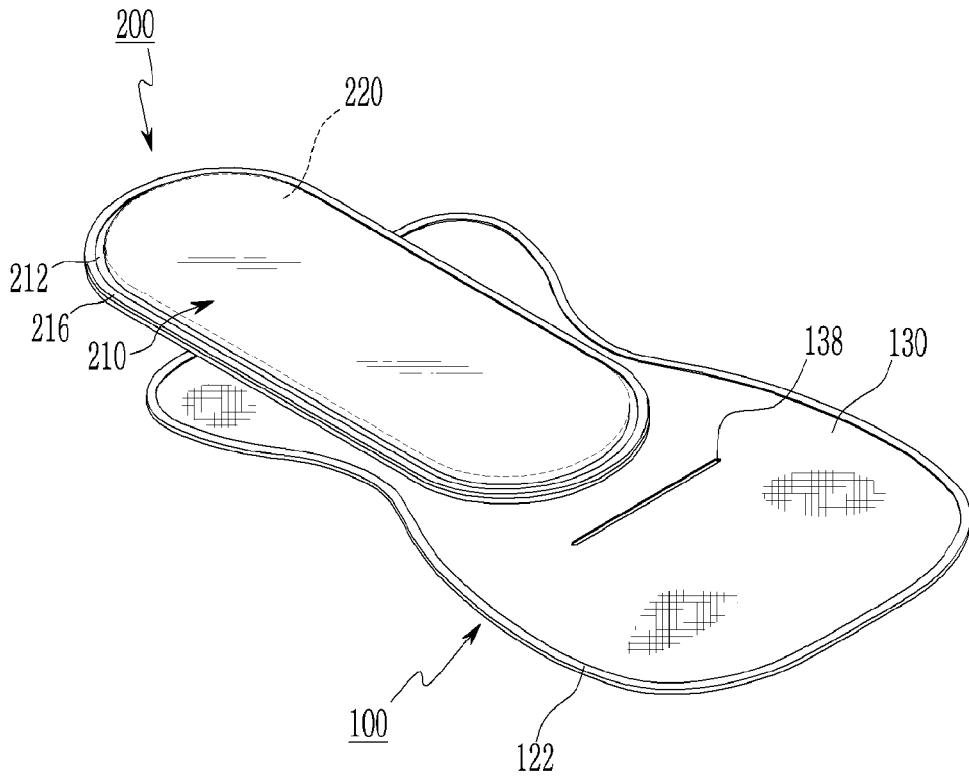
A41B 13/06 (2006.01)
A44B 19/26 (2006.01)
A44B 18/00 (2006.01)



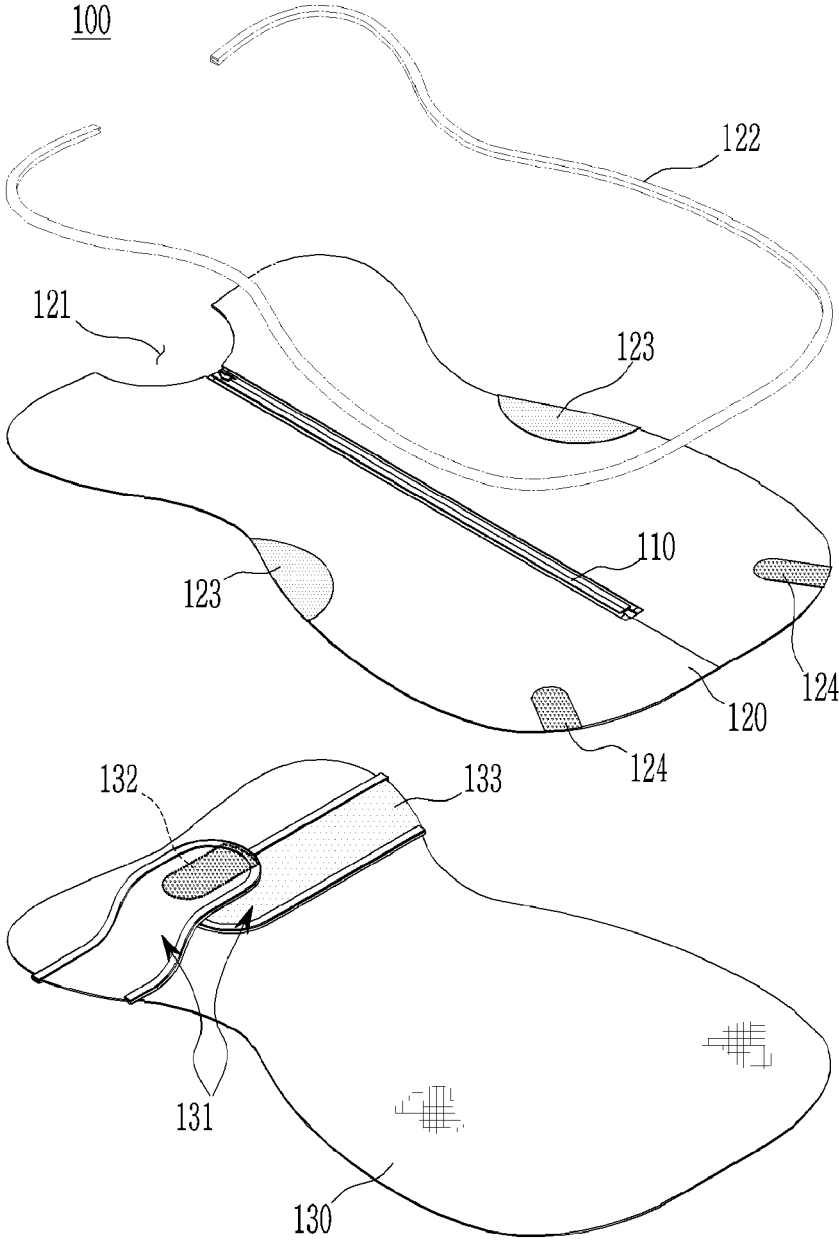
[FIG. 1]



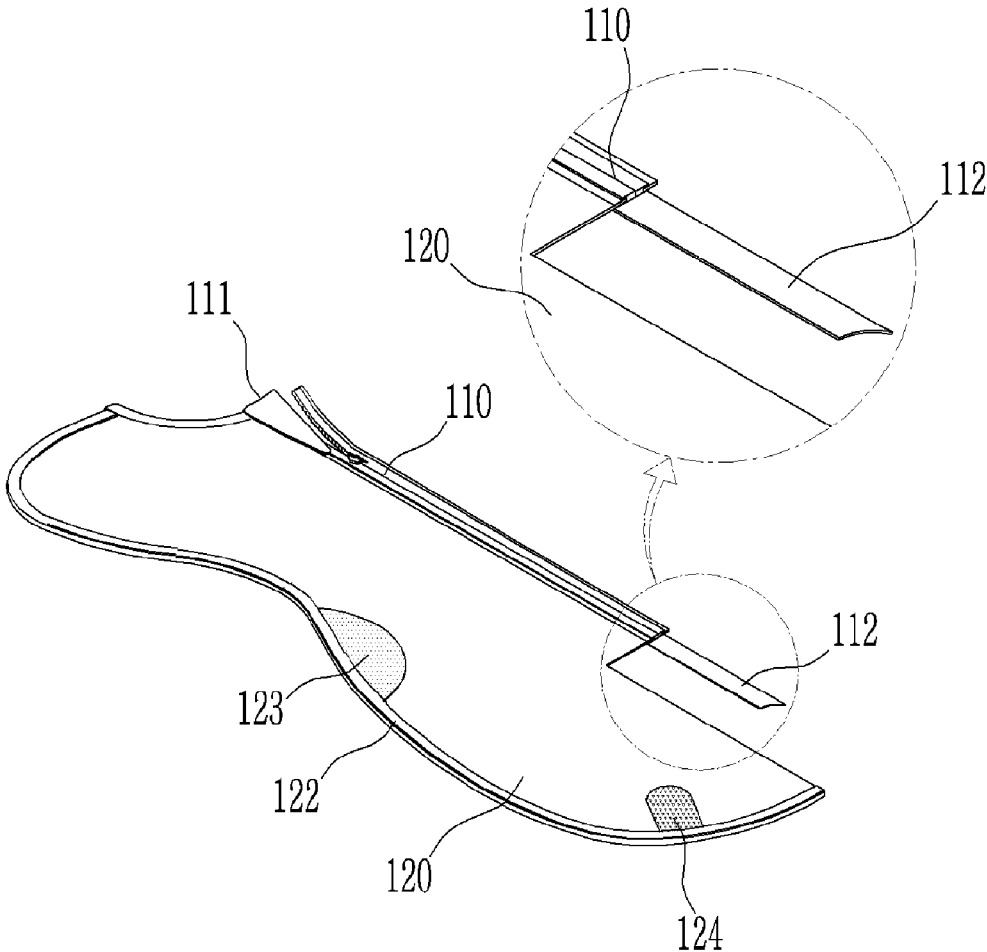
[FIG. 2]



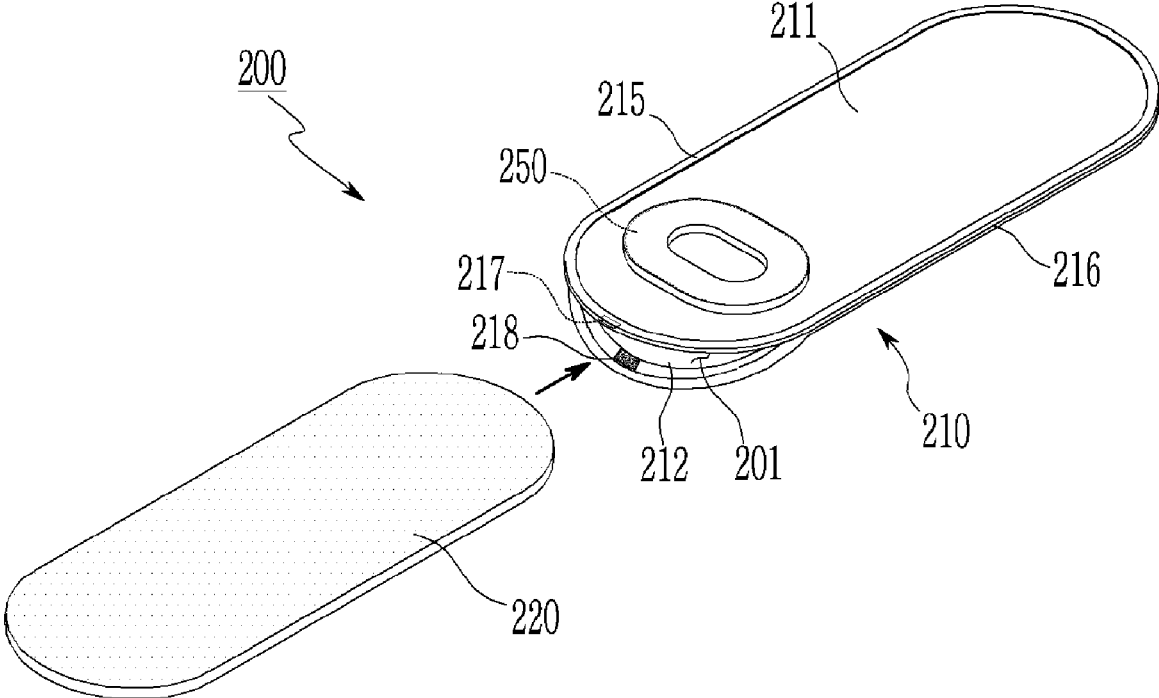
[FIG. 3]



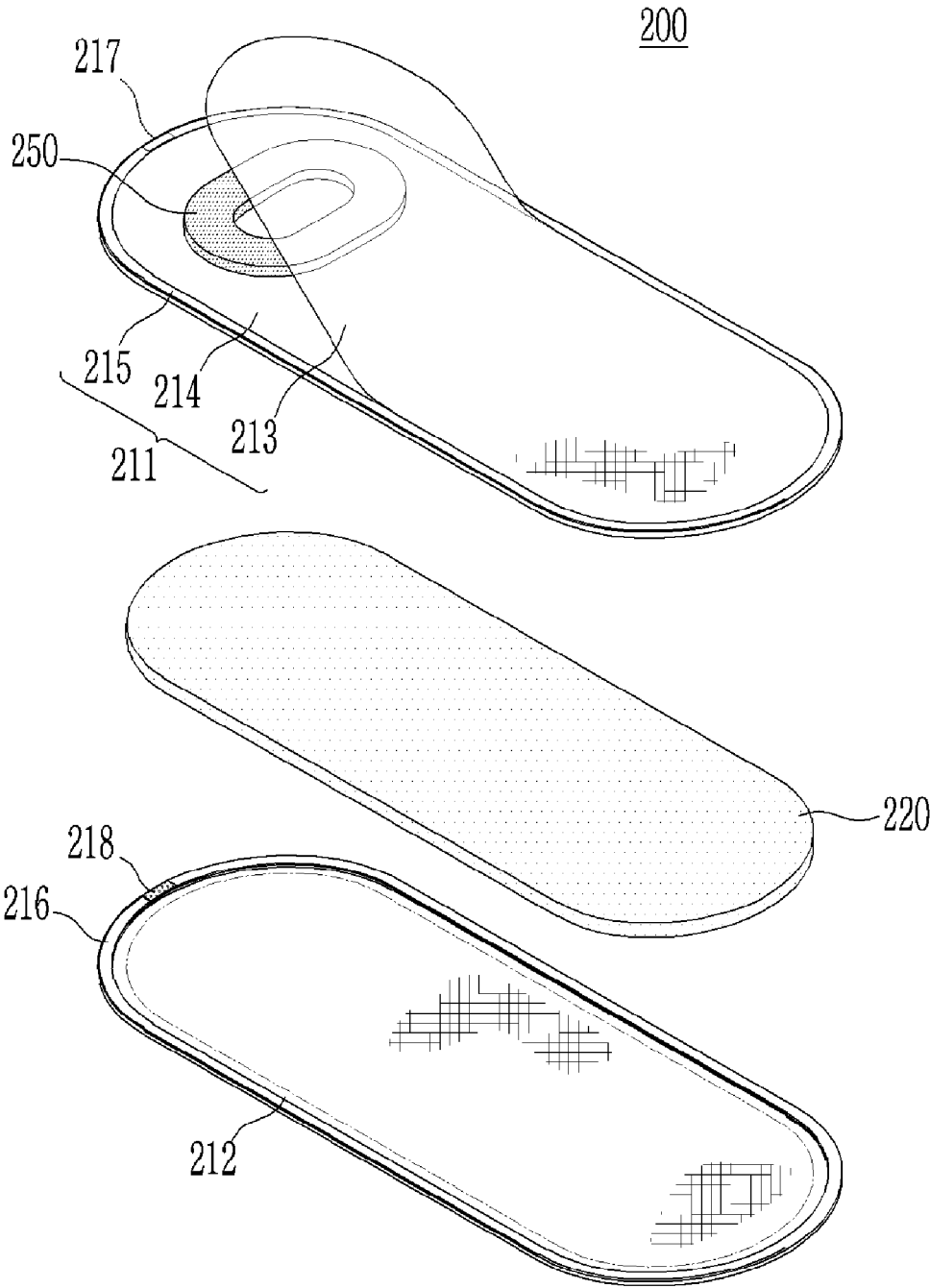
[FIG. 4]



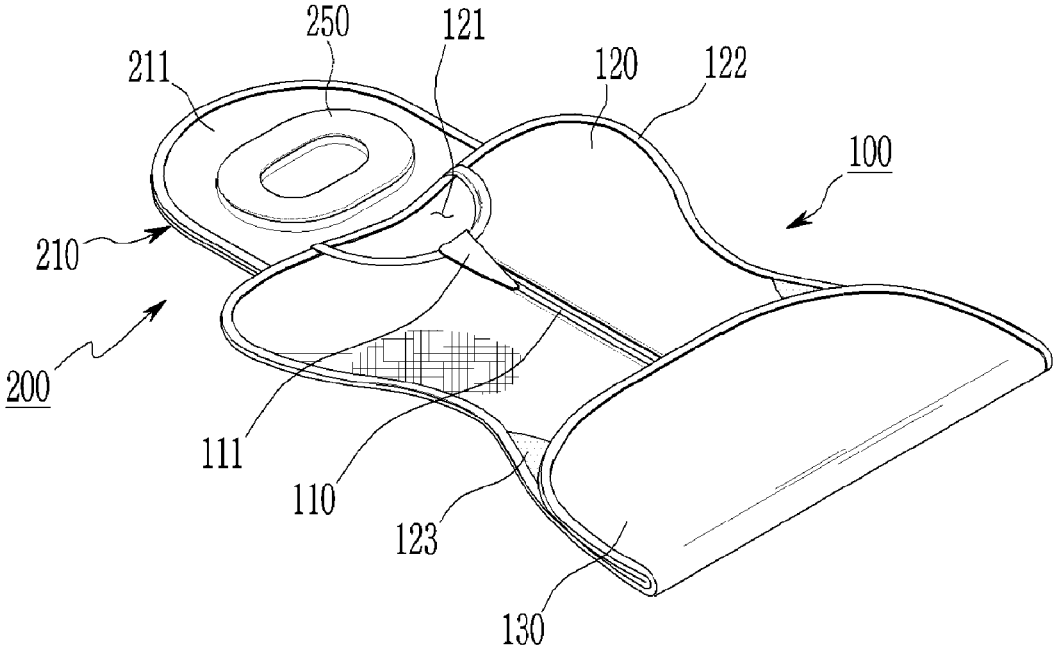
[FIG. 5]



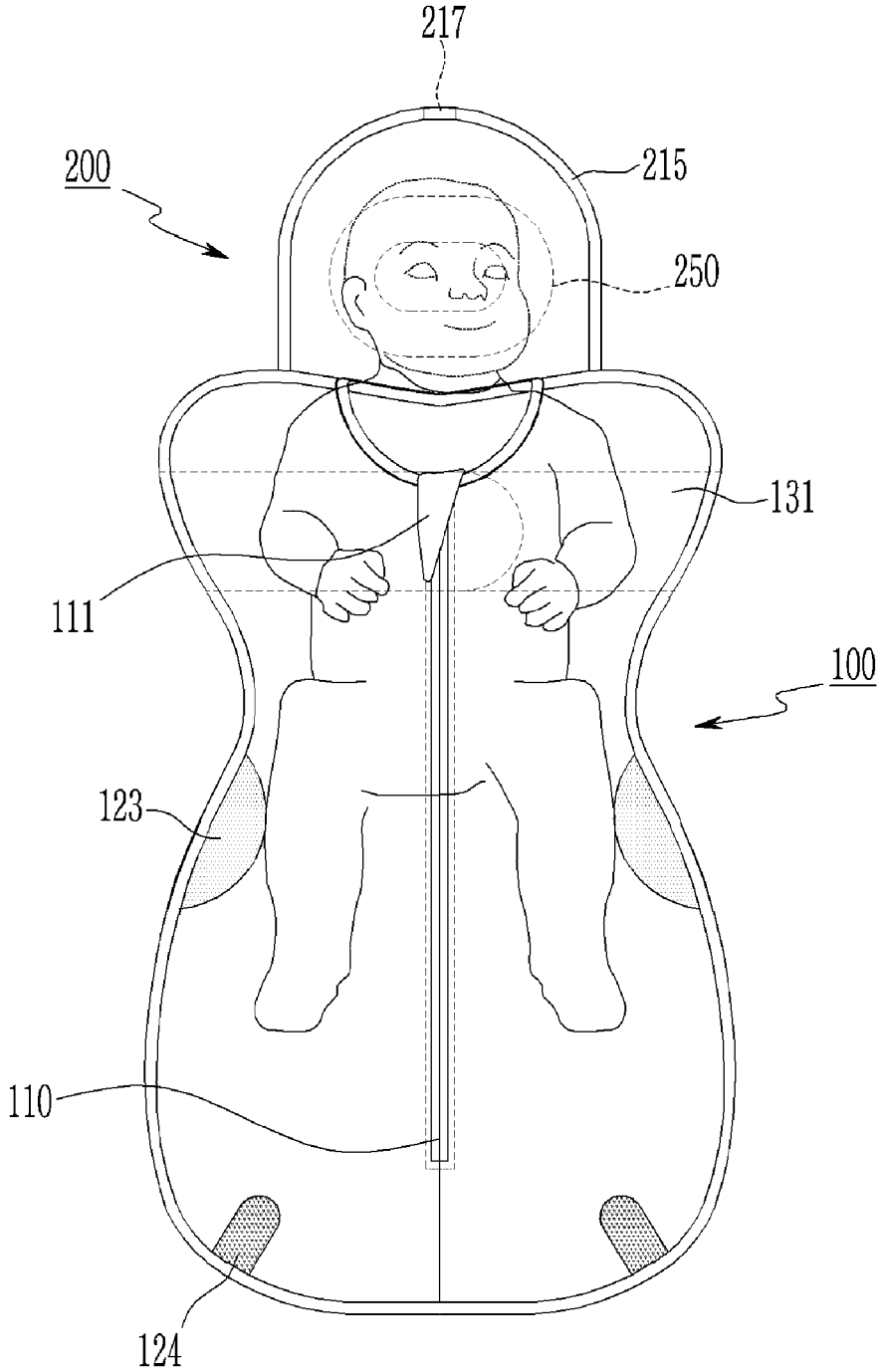
[FIG. 6]



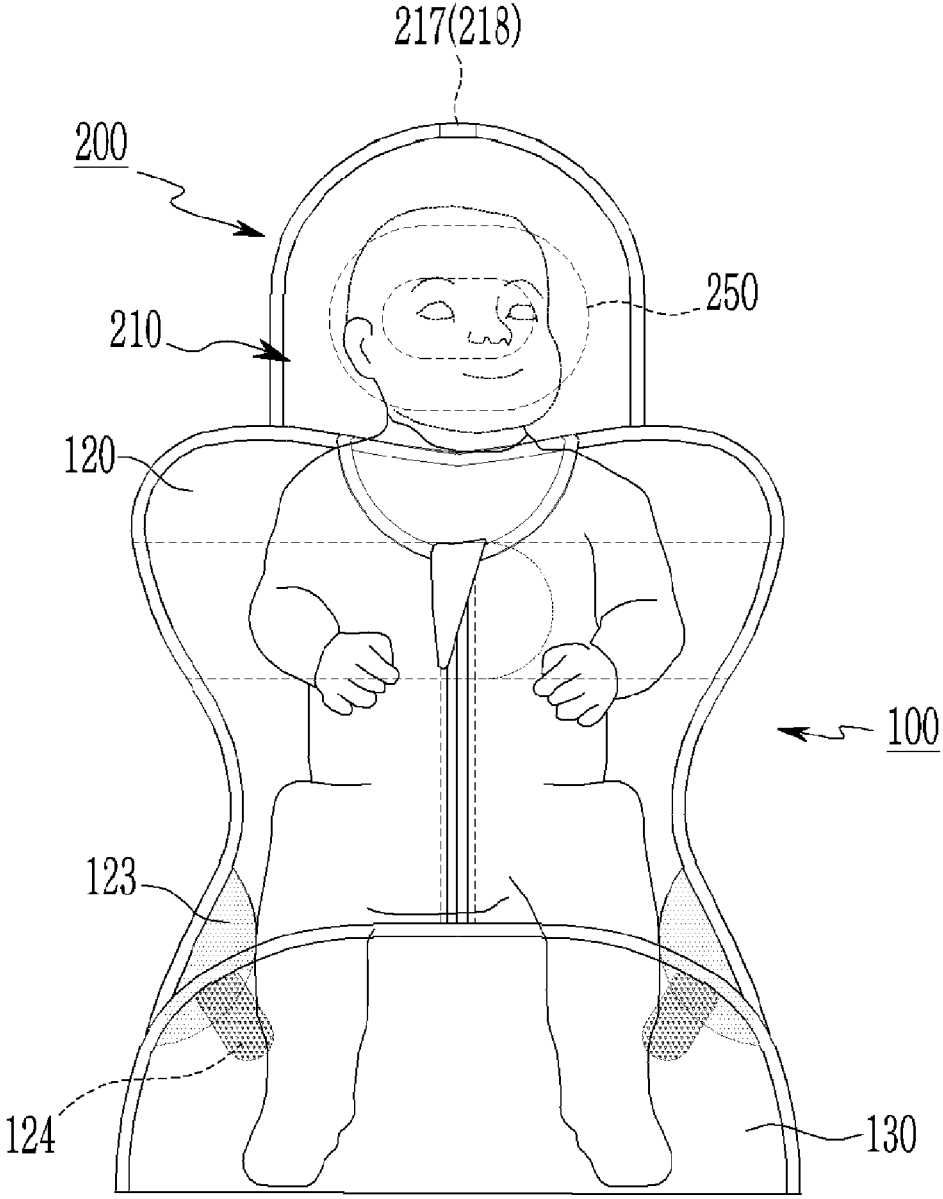
[FIG. 7]



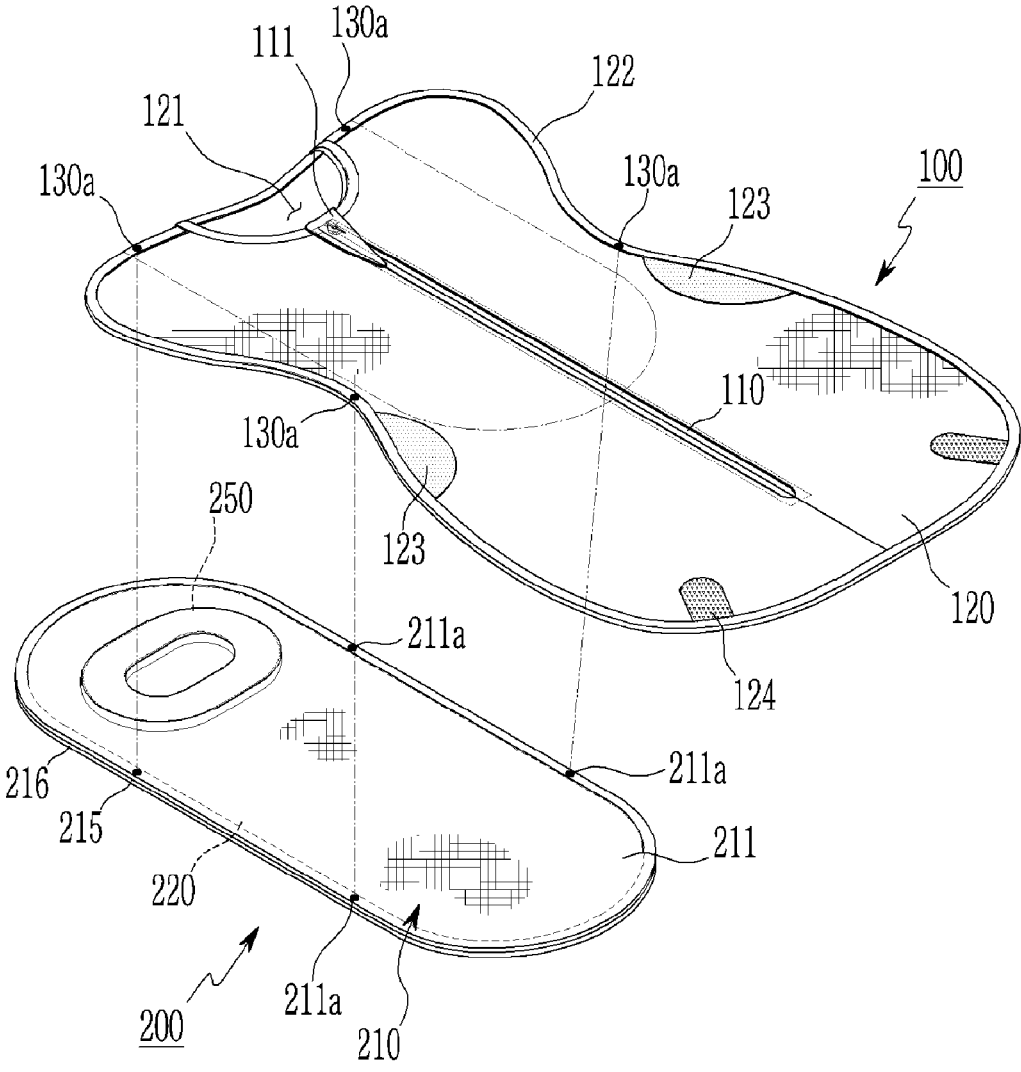
[FIG. 8]



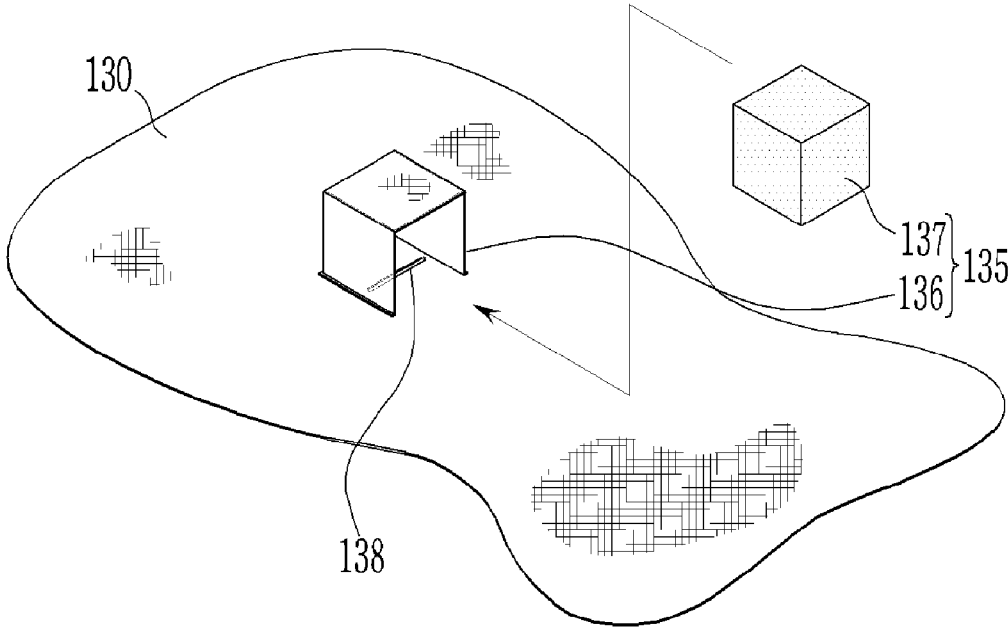
[FIG. 9]



[FIG. 10]



[FIG. 11]



INNER WRAPPER FOR INFANT

TECHNICAL FIELD

[0001] The present invention relates to an inner wrapper for infants for wrapping a newborn baby or infant's body to ensure comfortable sleep, provide a comfortable sitting posture in a baby carriage, and stably and conveniently handle the infant.

BACKGROUND ART

[0002] In general, to retain warmth, an infant or a newborn baby is dressed with baby clothes such as a baby shirt, and then the body excluding the face is wrapped with a thin inner wrapper, and the inner wrapper is wrapped with a thick outer wrapper.

[0003] However, such an act to keep the infant's body warmth is too cumbersome. In particular, when wrapping an infant with an outer wrapper, the entire body of the infant should be wrapped with the outer wrapper while being gently pressed so that the infant sensitive to external sounds has psychological stability and sleeps comfortably, and then the outer wrapper should be fastened with a strap. As such, use of the outer wrapper is very cumbersome.

[0004] To solve this problem, recently, inner wrappers that can wrap an infant with minimal action and provide warmth and comfortable sleep have been disclosed.

[0005] Examples of documents that disclose such a wrapper include Korean Patent No. 10-0717968 (hereinafter referred to as "Document 1"), Korean Patent Application Publication No. 10-2015-0027801 (hereinafter referred to as "Document 2"), and Korean Patent No. 10-1584240 (hereinafter referred to as "Document 3").

[0006] Document 1 relates to a wrapper for protecting infants, characterized in that an inner wrapper, a waterproof blanket, and an outer wrapper are separable so that only necessary parts can be separated and washed, Document 2 relates to an ergonomic inner wrapper for infants that independently allows fixation of the infant's arms and body and proper positioning of the infant's legs and hips, and Document 3 relates to a functional inner wrapper for infants, characterized in that an opening and closing part that is opened and closed by an opening and closing means from the front of a body portion to the back of a waist portion through the front and back of a leg portion and the front of the waist portion is formed, and the leg portion is divided into two parts by operation of the opening and closing means.

[0007] Document 1 has an advantage in that components including an inner wrapper, a waterproof blanket, and an outer wrapper can be separated and washed independently, but has a disadvantage in that a process of wrapping an infant using each component and a fastening process are complicated.

[0008] Document 2 is characterized by provision of an arm pocket for holding the infant's arms, but has a disadvantage in that a process of artificially bending the arms and putting the bent arms in the pocket to fix the arms is required.

[0009] Document 3 has an advantage in that, even when an infant is wrapped with a wrapper, a diaper can be easily replaced, the infant can be lifted or held using a bag or sash, or the infant can be seated in a car seat or baby carriage. However, in Document 3, a function of fastening both arms

and a cushion function required when an infant is laid or seated in a baby carriage are absent, such that it is difficult to ensure comfortable sleep for the infant.

DISCLOSURE

Technical Problem

[0010] Therefore, the present invention has been made in view of the above problems, and it is one object of the present invention to provide an inner wrapper for infants including a back/head supporting part that supports a body part from the head to the waist of an infant. With this configuration, the inner wrapper of the present invention may induce comfortable sleep while an infant is lying down.

[0011] It is another object of the present invention to provide an inner wrapper for infants including a body wrapping part, wherein a lower portion of the body wrapping part is folded depending on the height of an infant and attached. With this configuration, the inner wrapper of the present invention may ensure convenience.

[0012] It is still another object of the present invention to provide an inner wrapper for infants including a protector provided inside a zipper that is the opening and closing means of a body wrapping part. With this configuration, when the zipper is opened or closed, the inner wrapper or the infant's clothes are prevented from being caught in the zipper. Accordingly, the inner wrapper of the present invention may ensure convenience.

[0013] It is still another object of the present invention to provide an inner wrapper for infants including motion preventing bands provided inside a body wrapping part to gently fasten the infant's arms and body. With this configuration, when the inner wrapper of the present invention is used, an infant may sleep comfortably without being surprised by external noise.

[0014] It is still another object of the present invention to provide an inner wrapper for infants including a head supporting cushion provided at the upper portion of a back/head supporting part. With this configuration, the infant's head may be supported stably when the infant is lying down. Accordingly, the inner wrapper of the present invention may provide comfortable sleep.

[0015] It is yet another object of the present invention to provide an inner wrapper for infants having a configuration characterized in that a pocket is formed at a portion where the hip of an infant is positioned inside a body wrapping part and the pocket is configured so that a cushion support is selectively inserted into the pocket. With this configuration, when placing an infant in a baby carriage, the cushion support may function as a chair.

Technical Solution

[0016] In accordance with one aspect of the present invention, provided is an inner wrapper for infants including a body wrapping part that is openable/closable through a zipper provided on a front thereof; and a back/head supporting part formed to extend from an upper side of the body wrapping part to support body parts from a head to a waist of an infant, wherein a donut-shaped cushion pad for seating a head of an infant is formed to protrude from a front of an upper side of the back/head supporting part.

[0017] The back/head supporting part may be provided to be attachable to and detachable from a rear surface of the body wrapping part through a plurality of snap buttons or a pair of Velcro straps.

[0018] Motion preventing bands for gently fastening a body or arms of an infant may be provided inside the body wrapping part.

[0019] In addition, a pair of Velcro straps may be provided on both sides of a central portion of a front panel of the body wrapping part and both sides of a lower side to be joined to the central portion so that a length of the body wrapping part is adjusted by folding the lower side of the body wrapping part according to a height of the infant.

[0020] In the back/head supporting part, a pocket having a space may be formed between a front plate and a rear plate, and a separable cushion pad may be inserted into the pocket.

[0021] A pocket may be formed inside the body wrapping part to be positioned at a hip position of an infant, and a cushion support may be inserted into the pocket to provide a hip supporting part.

Advantageous Effects

[0022] According to the present invention, since a back/head supporting part that supports an area from the head to the waist of an infant is provided, an infant can lie down in a comfortable posture. In addition, since motion preventing bands are provided inside a body wrapping part, when an inner wrapper is used to retain warmth, the arms or body of an infant can be easily fastened, thereby ensuring comfortable sleep for an infant.

[0023] In addition, according to the present invention, since a donut-shaped cushion pad for supporting the head of an infant is provided at the upper portion of a back/head supporting part, comfort can be maintained even after prolonged sleep. In addition, when placing an infant in a baby carriage, a hip supporting part can function as a chair, thereby providing comfort.

[0024] In addition, according to the present invention, by folding and attaching the lower side of a body wrapping part, the length of the body wrapping part can be adjusted according to the height of an infant, thereby improving convenience.

[0025] In addition, according to the present invention, since a back/head supporting part is provided to be detachable from a body wrapping part, for infants up to 3 months of age, an inner wrapper for infants can be used with the back/head supporting part attached. For infants from about 100 days to 6 months of age, who do not need the back/head supporting part, the back/head supporting part can be detached from the inner wrapper and the inner wrapper can be used. Accordingly, the lifespan of the inner wrapper for infants can be prolonged.

DESCRIPTION OF DRAWINGS

[0026] FIG. 1 is a perspective view of an inner wrapper for infants according to the present invention.

[0027] FIG. 2 is a perspective view showing the back of an inner wrapper for infants according to the present invention.

[0028] FIG. 3 is an exploded perspective view of a body wrapping part extracted from an inner wrapper for infants according to the present invention.

[0029] FIG. 4 is a partial cutaway perspective view showing the zipper region of the body wrapping part of an inner wrapper for infants according to the present invention.

[0030] FIG. 5 is a partially exploded perspective view of the back/head supporting part of an inner wrapper for infants according to the present invention.

[0031] FIG. 6 is an exploded perspective view of the back/head supporting part shown in FIG. 5.

[0032] FIG. 7 is a perspective view of an inner wrapper for infants according to the present invention in a state wherein a lower portion of the body wrapping part of the inner wrapper is folded according to the height of an infant.

[0033] FIGS. 8 and 9 are top views showing an example of use of an inner wrapper for infants according to the present invention, and show the states of the inner wrapper before and after folding a lower portion of a body wrapping part according to the height of an infant.

[0034] FIG. 10 is an exploded perspective view of an inner wrapper for infants according to another embodiment of the present invention.

[0035] FIG. 11 is a perspective view showing an inner wrapper for infants according to another embodiment of the present invention, characterized in that a hip supporting part is applied to a body wrapping part.

BEST MODE

[0036] Hereinafter, the present invention will be described in detail with reference to the accompanying drawings.

[0037] FIGS. 1 and 2 are perspective views showing the front and back of an inner wrapper for infants according to the present invention, respectively.

[0038] Referring to FIGS. 1 and 2, the inner wrapper for infants of the present invention includes a body wrapping part 100 that is openable/closable through a zipper 110 provided in the front thereof and a back/head supporting part 200 provided on the upper side of the rear surface of the body wrapping part 100 to support body parts from the head to the waist of an infant. In this case, the back/head supporting part 200 includes a plate-shaped supporting body 210 provided on the upper side of the body wrapping part 100 to support body parts from the head to the waist of an infant, and a donut-shaped head supporting cushion 250 is integrally provided on the front of the upper side of the supporting body 210.

[0039] In this case, the body wrapping part 100 and the back/head supporting part 200 are made of pure cotton fabric to prevent skin irritation on the sensitive skin of an infant.

[0040] FIG. 3 is an exploded perspective view of the body wrapping part extracted from the inner wrapper for infants according to the present invention.

[0041] Referring to FIG. 3, the body wrapping part 100 is formed by laminating a front panel 120 and a rear panel 130. In this case, the front panel 120 is divided into two parts, wherein the two parts are symmetrical to each other, and the two parts are joined by the zipper 110 installed at a region where the two parts are in contact with each other. The rear panel 130 has a shape almost identical to that of the front panel 120 and is provided as an integral type. The front and rear panels 120 and 130 are joined by sewing, through a border material 122, the borders of the front and rear panels 120 and 130 except for a semi-circular groove that is a neck position at the upper portion of the front panel 120. In this

case, the border of the semi-circular groove **121** that is the neck position of the front panel **120** is also sewn through the separate border material **122**.

[0042] In the body wrapping part **100**, a pouch shape surrounding the body of an infant may be formed by the front and rear panels **120** and **130**. The zipper **110** may be opened, an infant may be placed in the body wrapping part **100**, and the zipper **110** may be closed to retain warmth.

[0043] To prevent occurrence of a wound on the hands or face of an infant in a closed state, a cover **111** for covering the zipper **110** at the semi-circular groove **121** that is the neck position of the upper portion of the front panel **120** may be formed. To prevent infant clothes from getting caught in the zipper **110** according to opening and closing of the zipper **110**, as shown in FIG. 4, a protector **112** is preferably formed to extend from the end of the cover **111** to the inside of the front panel **120**.

[0044] As shown in FIG. 7, to adjust the length of the body wrapping part **100** by folding the lower side of the body wrapping part **100** according to the height of an infant, the front panel **120** is provided with a pair of Velcro straps **123** and **124** formed on both sides of the central portion and both sides of the lower portion. As shown in FIG. 8, an infant is wrapped with the body wrapping part **100**. Then, as shown in FIG. 9, the lower portion of the body wrapping part **100** is folded according to the height of the infant and is attached using the Velcro straps **123** and **124**. Accordingly, sagging of the lower portion of the body wrapping part **100** may be prevented.

[0045] A pair of motion preventing bands **131** for gently fastening the body or arms of an infant is sewn together with the border material **122** and is provided on the upper side of the rear panel **130** inside the body wrapping part **100**. The motion preventing bands **131** are preferably provided with a pair of Velcro straps **132** and **133** to bind the motion preventing bands **131**.

[0046] In addition, a straight opening **138** may be provided at the middle of the rear panel **130** to facilitate smooth ventilation inside of the body wrapping part **100** to prevent sweat from accumulating.

[0047] FIG. 5 is a partially exploded perspective view of the back/head supporting part of the inner wrapper for infants according to the present invention, and FIG. 6 is an exploded perspective view of the back/head supporting part shown in FIG. 5.

[0048] Referring to FIGS. 5 and 6, the back/head supporting part **200** of the present invention includes the supporting body **210** having a pocket **201** formed therein, wherein the pocket **201** is formed by performing sewing so that the top of the supporting body **210** is opened, and a cushion pad **220** inserted into the supporting body **210**. The donut-shaped head supporting cushion **250** is integrally formed on the front of the upper side of the supporting body **210**.

[0049] The supporting body **210** is provided with a rectangular front plate **211** and a rectangular rear plate **212** each having a length suitable for supporting a portion from the head to the waist of an infant. Sewing is performed so that an opening is formed at the top of the front plate **211** and the rear plate **212**.

[0050] In the front plate **211**, an outer plate **213** and an inner plate **214** are sewn through a border material **215**. In this case, sewing is performed in a state wherein the donut-

shaped head supporting cushion **250** for supporting the head of an infant is disposed between the outer and inner plates **213** and **214**.

[0051] The rear plate **212** is a single-type fabric, and is formed by sewing through a border material **216**.

[0052] In the back/head supporting part **200** having such a configuration, the supporting body **210** is provided by performing sewing in a state wherein the top of the front and rear plates **211** and **212** is opened, and the cushion pad **220** is inserted into the pocket **201** inside the supporting body **210** to obtain the back/head supporting part **200** of a finished product. In addition, a pair of Velcro straps **217** and **218** for preventing the cushion pad **220** inserted into the pocket **201** of the supporting body **210** from escaping from the pocket **201** may be provided on the border materials **215** and **216** that are the open ends of the front and rear plates **211** and **212**.

[0053] The cushion pad **220** and the head supporting cushion **250** of the supporting body **210** are formed of a high-density sponge or a synthetic rubber material having elasticity and resilience.

[0054] FIG. 10 shows an exploded perspective view of an inner wrapper for infants according to another embodiment of the present invention, and shows the detachment/attachment means of the body wrapping part and the back/head supporting part **200**.

[0055] The detachment/attachment means is provided in the back/head supporting part **200** and the body wrapping part **100** so that the back/head supporting part **200** is detached from the body wrapping part **100** or attached to the body wrapping part **100** as needed. To explain this in more detail, a plurality of snap buttons **130a** and **211a** is preferably disposed at positions where the rear surface of the body wrapping part **100** and the upper surface of the back/head supporting part **200** are in contact. The snap buttons **130a** and **211a** have been exemplified as the detachment/attachment means, but other materials such as Velcro straps may be used as the detachment/attachment means.

[0056] The present invention has been described with reference to exemplary embodiments, but it should be understood that various modifications may be made without departing from the scope of the present invention. Therefore, the scope of the present invention should not be limited by the embodiments, but should be determined by the following claims and equivalents to the following claims.

1. An inner wrapper for infants, comprising:

a body wrapping part that is openable and closable through a zipper provided on a front thereof;

a back head supporting part formed to extend from an upper side of the body wrapping part to a waist of an infant; and

a head supporting part provided on a front of an upper side of the back head supporting part.

2. The inner wrapper according to claim 1, wherein the back head supporting part is provided to be attachable to and detachable from a rear surface of the body wrapping part through a plurality of snap buttons or a pair of Velcro straps.

3. The inner wrapper according to claim 1, wherein motion preventing bands for gently fastening a body or arms of an infant are provided inside the body wrapping part, and a pair of Velcro straps is provided on opposite sides of a central portion of a front panel of the body wrapping part and both sides of a lower side to be joined to opposite side of the central portion so that a length of the body wrapping

part is adjusted by folding the lower side of the body wrapping part according to a height of the infant.

4. The inner wrapper depending on claim 2, wherein a pocket is formed in a supporting body constituting the back head supporting part, a separable cushion pad is inserted into the pocket, and a donut-type cushion pad is joined to the head supporting part through sewing.

5. The inner wrapper according to claim 1, wherein a pocket is formed inside or outside of the body wrapping part to be positioned at a hip position of an infant at a rear panel, and a cushion support is inserted into the pocket to provide a hip supporting part.

6. The inner wrapper according to claim 1, wherein, in the body wrapping part, a protector is provided inside the zipper to protect against pinching during opening and closing.

7. The inner wrapper according to claim 2, wherein motion preventing bands for gently fastening a body or arms of an infant are provided inside the body wrapping part, and a pair of Velcro straps is provided on opposite sides of a central portion of a front panel of the body wrapping part and both sides of a lower side to be joined to opposite side of the central portion so that a length of the body wrapping part is adjusted by folding the lower side of the body wrapping part according to a height of the infant.

8. The inner wrapper according to claim 2, wherein, in the body wrapping part, a protector is provided inside the zipper to protect against pinching during opening and closing.

* * * * *