



(19) **United States**

(12) **Patent Application Publication**  
**Ponchak et al.**

(10) **Pub. No.: US 2020/0032667 A1**

(43) **Pub. Date: Jan. 30, 2020**

(54) **SEAL WITH INTEGRAL ASSEMBLY CLIP AND METHOD OF SEALING**

*F16J 15/08* (2006.01)  
*F16J 15/06* (2006.01)

(71) Applicant: **United Technologies Corporation**,  
Farmington, CT (US)

(52) **U.S. Cl.**  
CPC ..... *F01D 11/003* (2013.01); *F01D 11/005*  
(2013.01); *F01D 25/246* (2013.01); *F05D*  
*2240/55* (2013.01); *F16J 15/067* (2013.01);  
*F05D 2240/57* (2013.01); *F16J 15/0887*  
(2013.01)

(72) Inventors: **Jeffrey D. Ponchak**, North Berwick,  
ME (US); **Frederick M. Schwarz**,  
Glastonbury, CT (US); **David L. Motto**,  
Fuquay Varina, NC (US)

(21) Appl. No.: **16/453,405**

(57) **ABSTRACT**

(22) Filed: **Jun. 26, 2019**

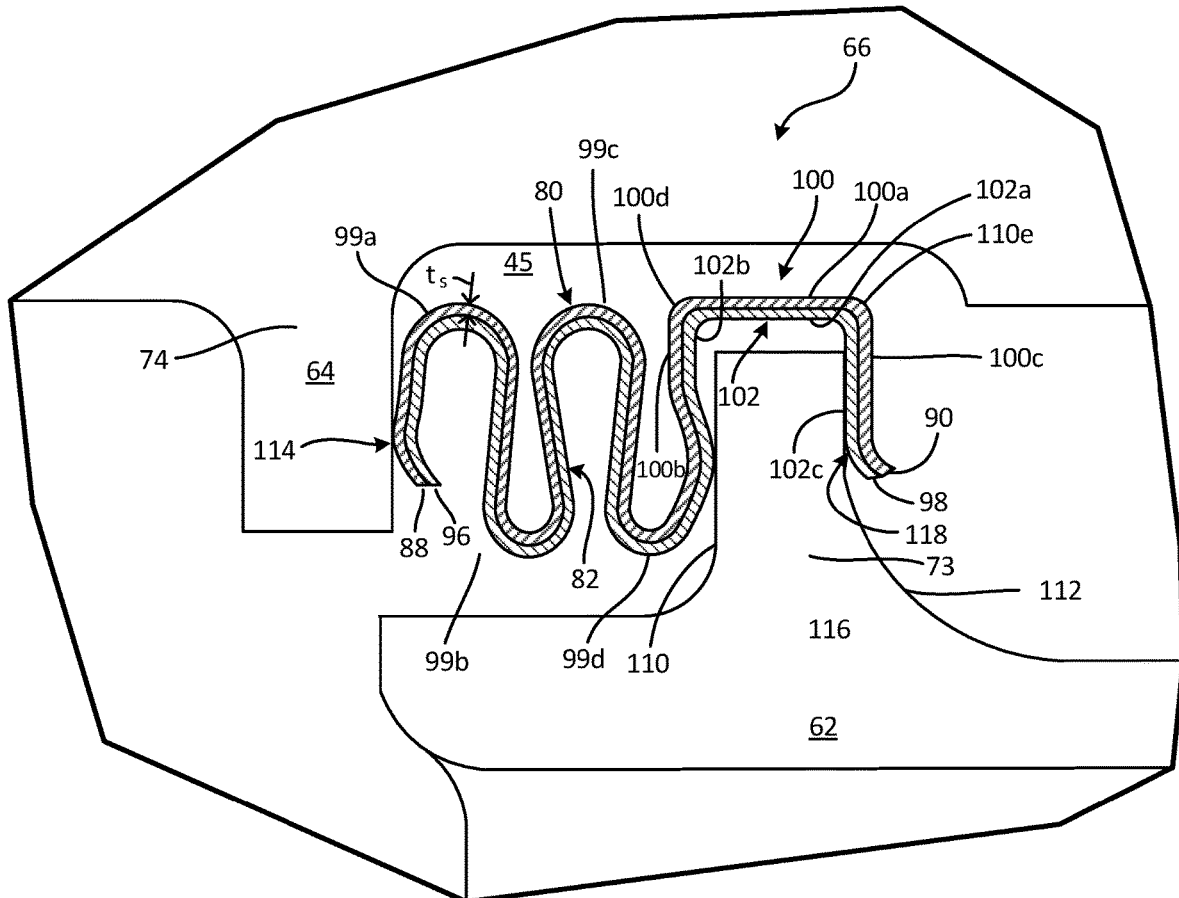
A seal assembly for a gas turbine engine includes first and second split-ring seals. The first split-ring seal includes circumferentially separated first and second ends, laterally separated first and second edges, a first sealing lobe adjacent the first edge, and a first integral clip portion adjacent the second edge. The first sealing lobe has a curved surface extending laterally outward from the first edge. The second split-ring seal is slidably received and nested in the first seal. The second split-ring seal includes circumferentially separated third and fourth ends and laterally separated third and fourth edges.

**Related U.S. Application Data**

(62) Division of application No. 15/052,437, filed on Feb. 24, 2016, now Pat. No. 10,370,992.

**Publication Classification**

(51) **Int. Cl.**  
*F01D 11/00* (2006.01)  
*F01D 25/24* (2006.01)



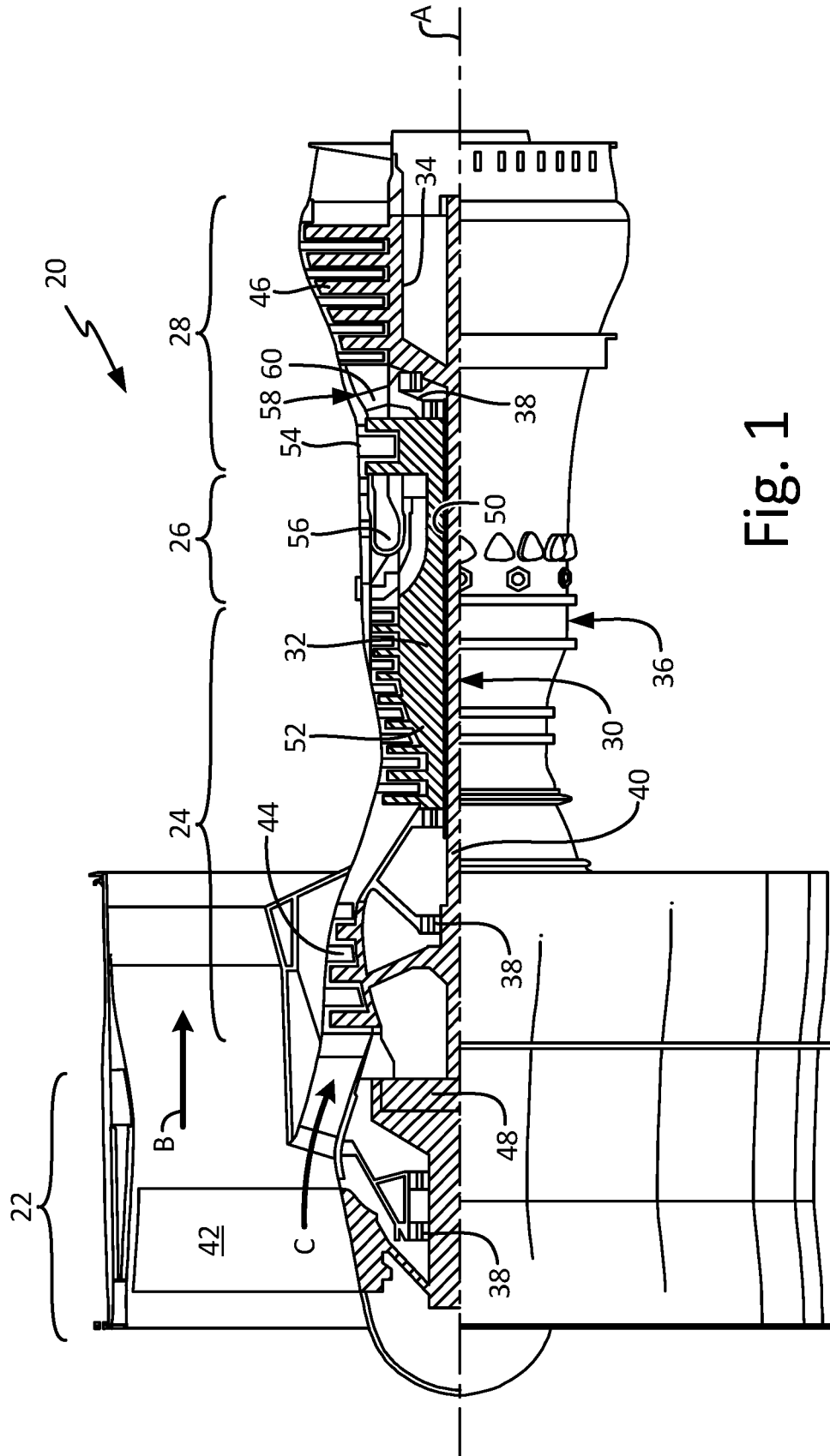


Fig. 1

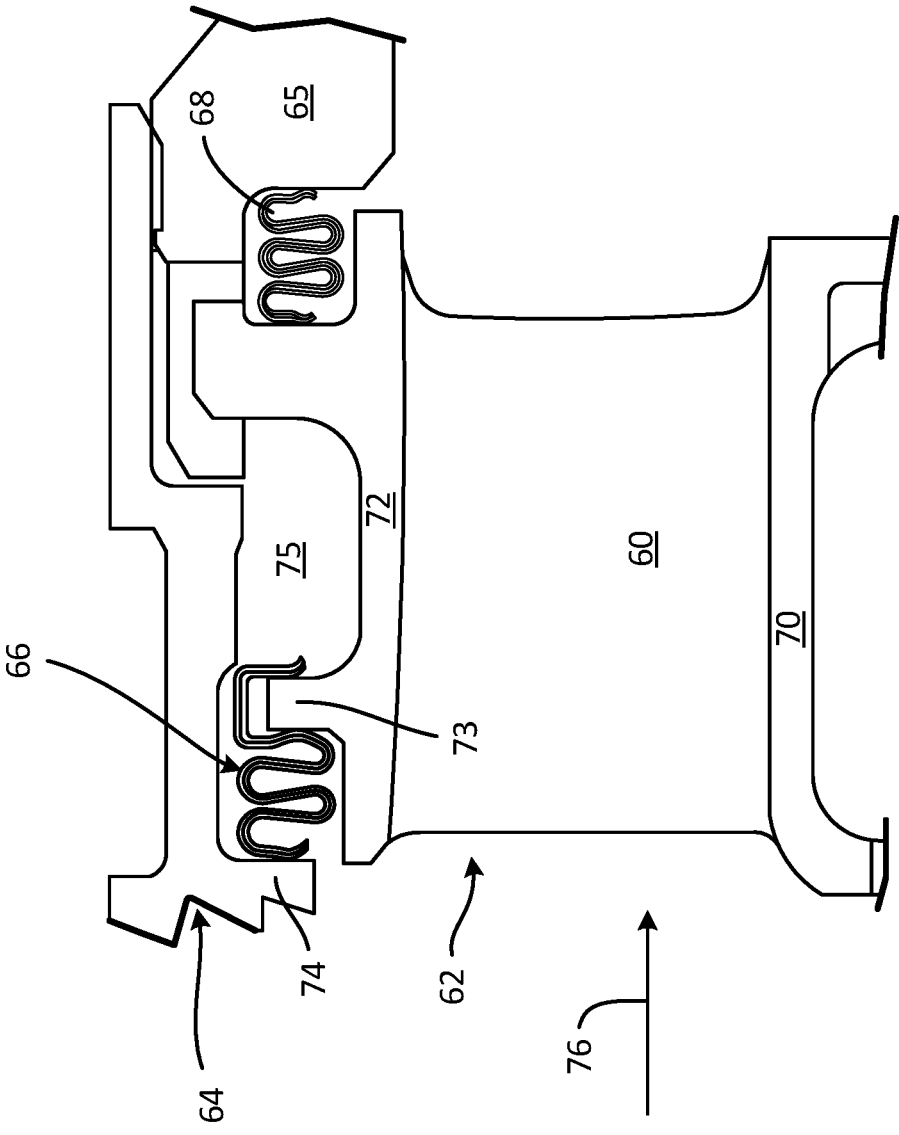


Fig. 2



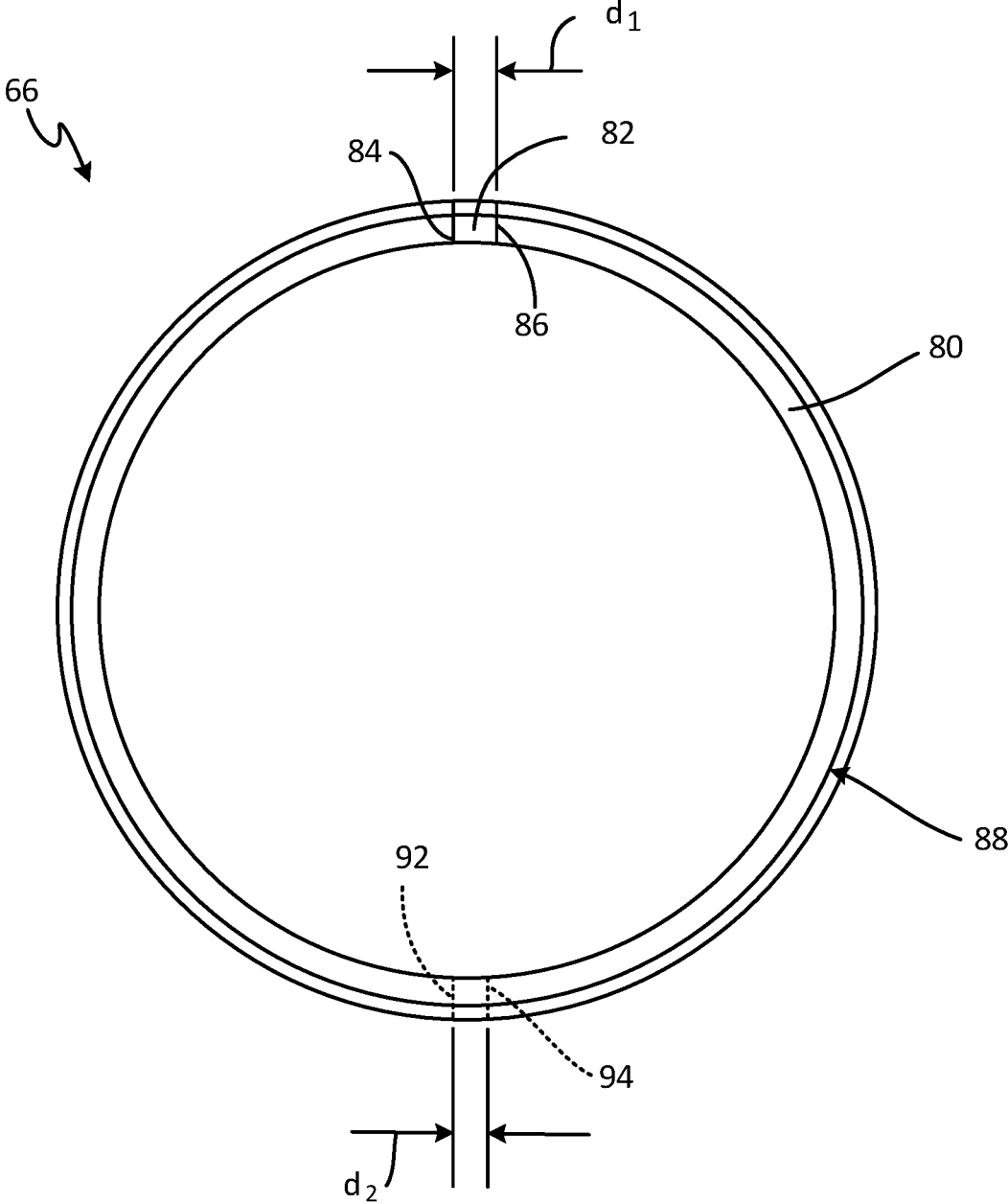


Fig. 4



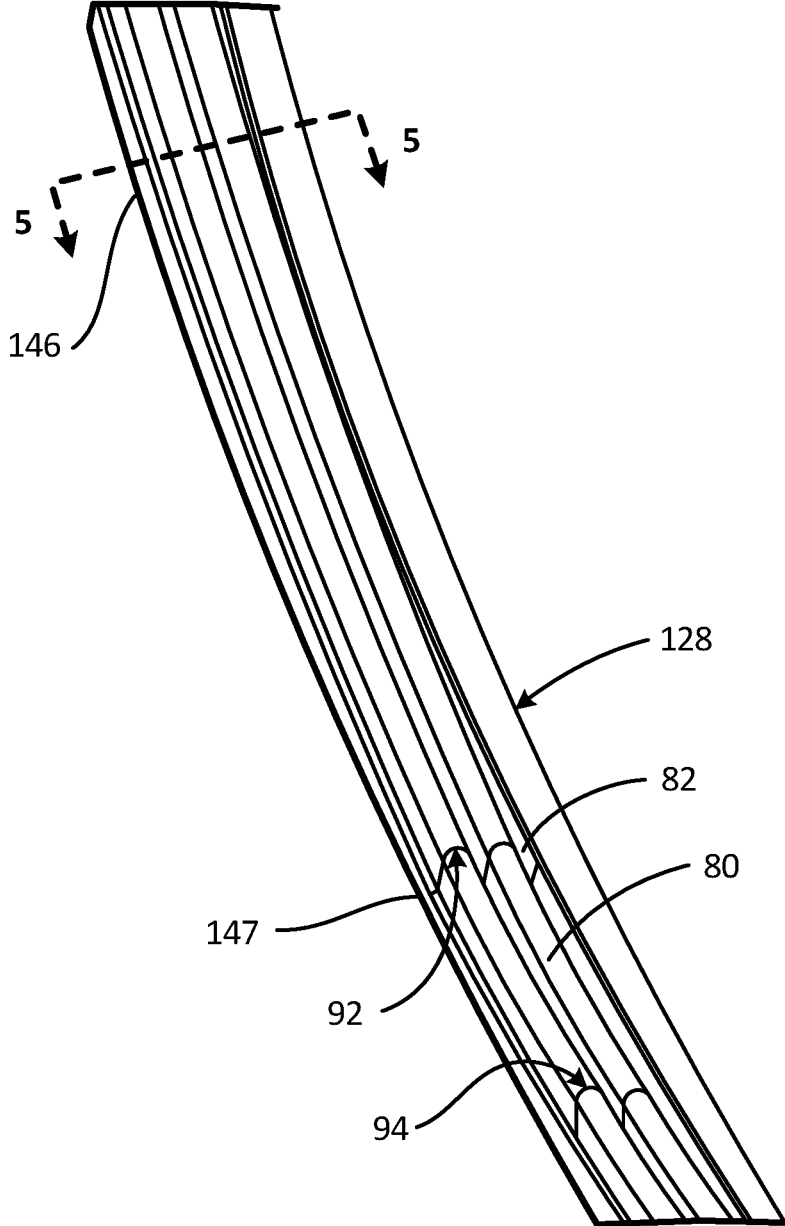


Fig. 6

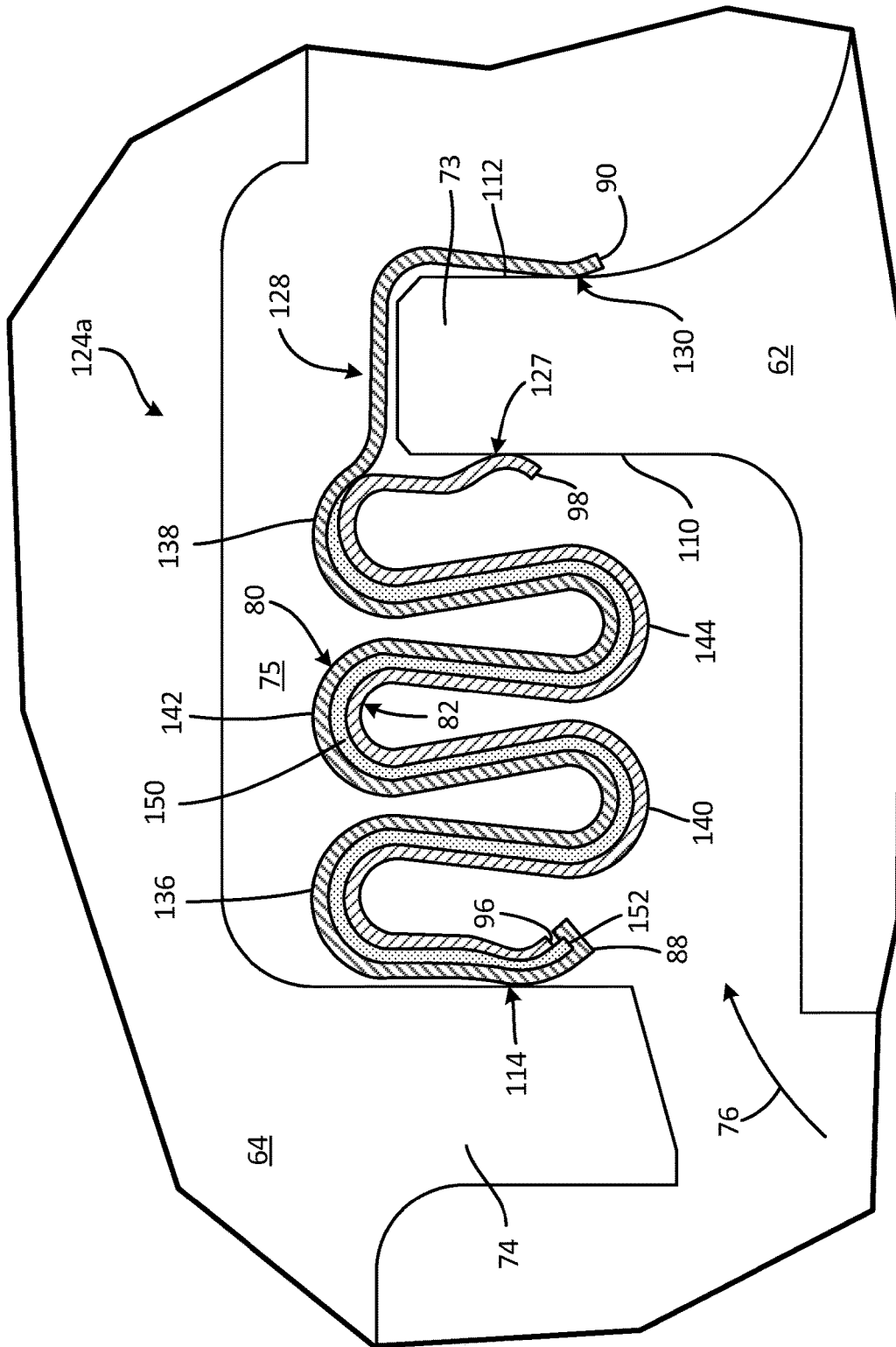


Fig. 7



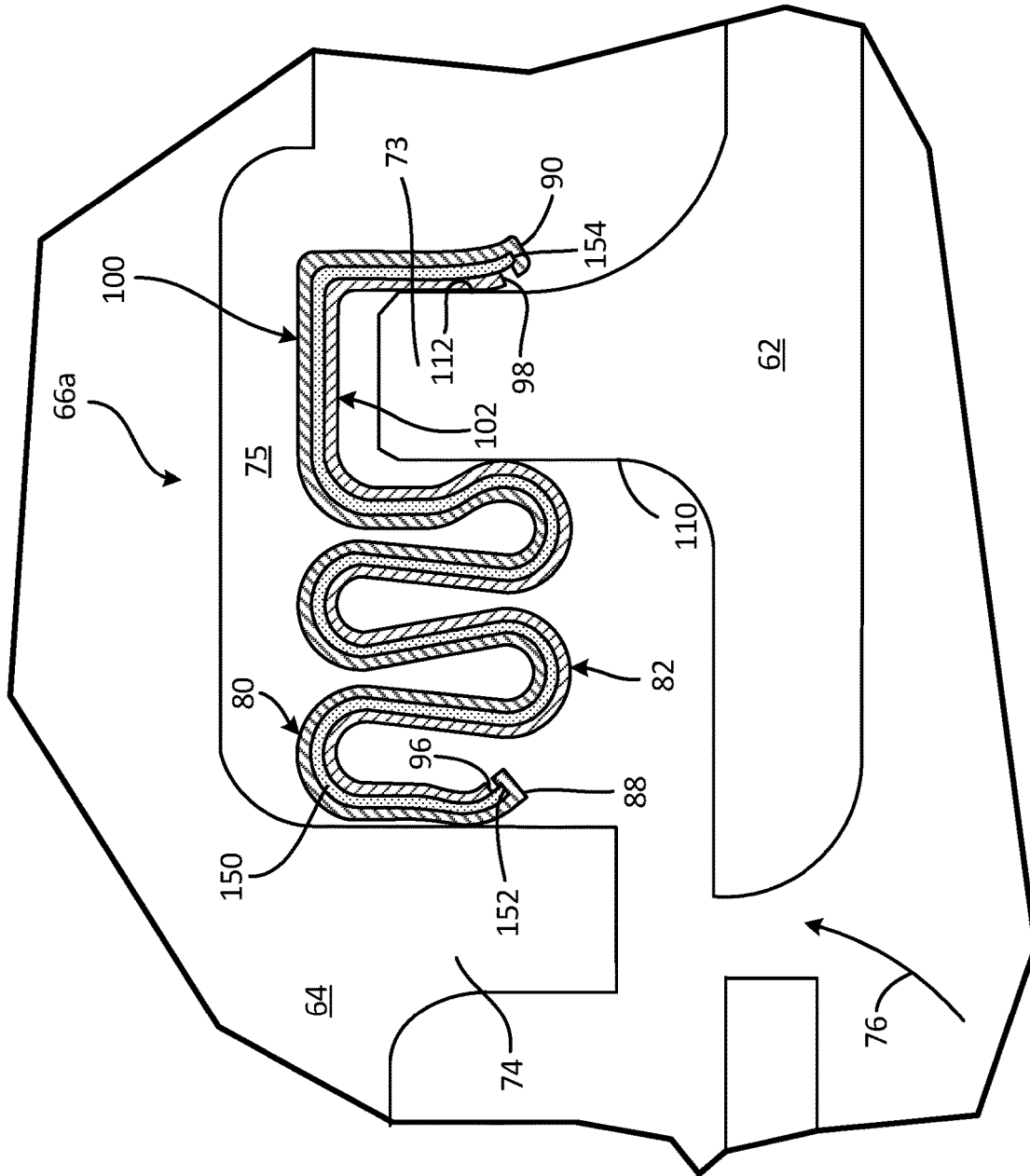


Fig. 8

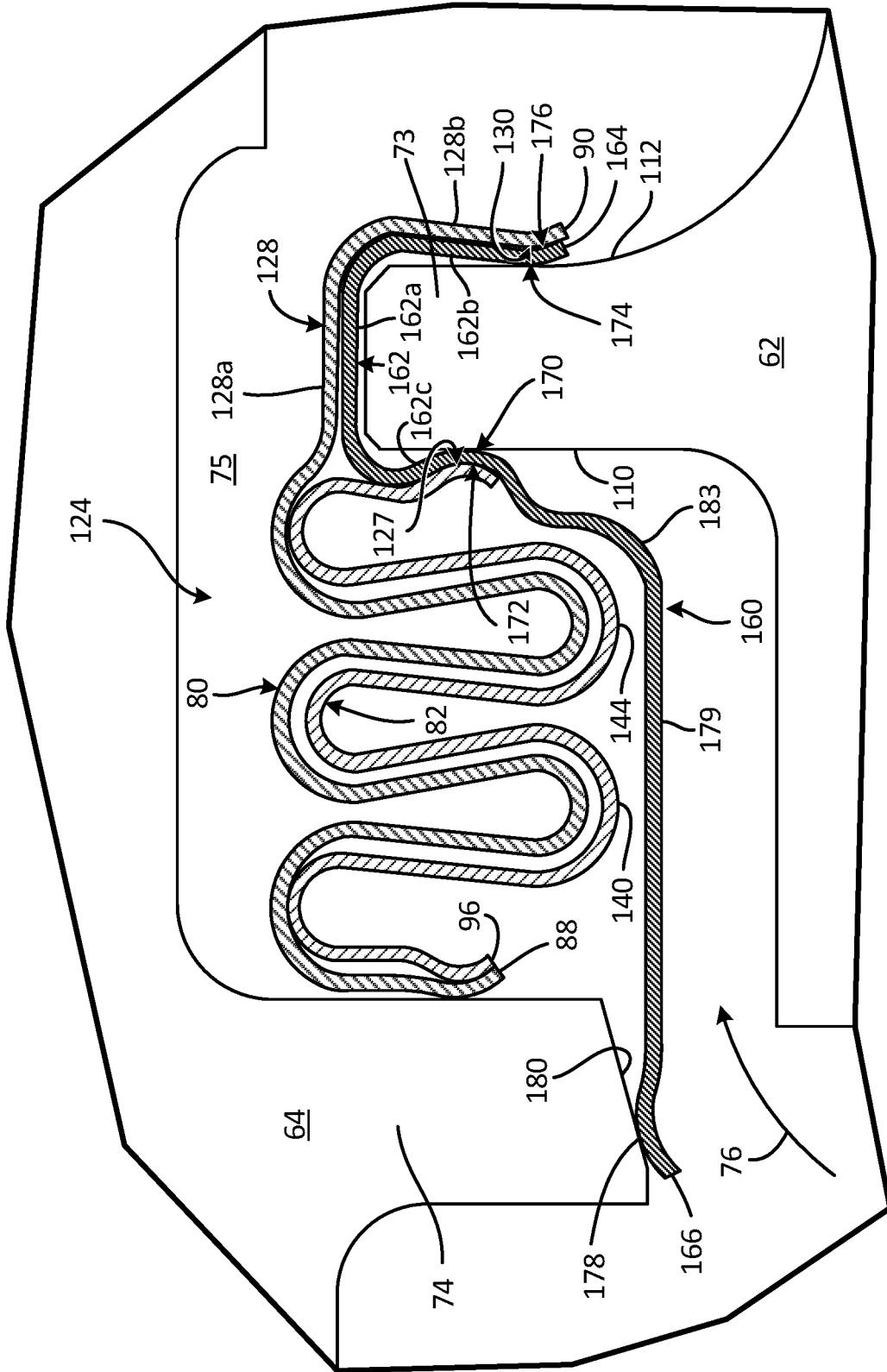


Fig. 9



## SEAL WITH INTEGRAL ASSEMBLY CLIP AND METHOD OF SEALING

### CROSS-REFERENCE TO RELATED APPLICATION(S)

[0001] This application is a divisional of U.S. application Ser. No. 15/052,437 filed Feb. 24, 2016 for “Seal with Integral Assembly Clip and Method of Sealing” by J. Ponchak; F. Schwarz; and D. Motto.

### BACKGROUND

[0002] The present application relates generally to seal assemblies, and more particularly to multi-ply split-ring seals.

[0003] A standard full-loop W-seal used between two static components in a gas turbine engine compressor or turbine section has a tendency to be inadvertently pinched due to blind assembly of surrounding components and delicate construction, and a tendency to buckle during operation due to thermal expansion. A need exists for a seal assembly that is less susceptible to pinching during assembly and buckling upon thermal expansion.

### SUMMARY

[0004] In one aspect of the present invention, a seal assembly for a gas turbine engine includes first and second split-ring seals. The first split-ring seal includes circumferentially separated first and second ends, laterally separated first and second edges, a first sealing lobe adjacent the first edge, and a first integral clip portion adjacent the second edge. The first sealing lobe has a curved surface extending laterally outward from the first edge. The second split-ring seal is slidably received and nested in the first seal. The second split-ring seal includes circumferentially separated third and fourth ends and laterally separated third and fourth edges.

[0005] In another aspect of the present invention, a method of sealing a cavity in a gas turbine engine includes clipping a portion of a multi-ply split-ring seal to a first component of a gas turbine engine, and compressing a portion of each ply of the multi-ply seal between the first component and a second component of the gas turbine engine.

[0006] The present summary is provided only by way of example, and not limitation. Other aspects of the present disclosure will be appreciated in view of the entirety of the present disclosure, including the entire text, claims and accompanying figures.

### BRIEF DESCRIPTION OF THE DRAWINGS

[0007] FIG. 1 is a quarter-sectional view of a gas turbine engine.

[0008] FIG. 2 is a cross-sectional view of a compressor vane assembly of the gas turbine engine.

[0009] FIG. 3 is a cross-sectional view of one embodiment of a multi-ply split-ring seal with integral assembly clip.

[0010] FIG. 4 is a side view of the multi-ply split-ring seal with integral assembly clip of FIG. 3.

[0011] FIG. 5 is a cross-sectional view of another embodiment of the multi-ply split-ring seal with integral assembly clip, taken along line 5-5 of FIG. 6.

[0012] FIG. 6 is a perspective view of an end portion of the seal with integral clip assembly of FIG. 5.

[0013] FIG. 7 is a cross-sectional view of another embodiment of the multi-ply split-ring seal with integral clip assembly.

[0014] FIG. 8 is a cross-sectional view of another embodiment of the multi-ply split-ring seal with integral clip assembly.

[0015] FIG. 9 is a cross-sectional view of the multi-ply split-ring seal of FIGS. 5 and 6 with a heat shield.

[0016] FIG. 10 is a cross-sectional view of the multi-ply split-ring seal of FIG. 3 with a heat shield.

[0017] While the above-identified figures set forth embodiments of the present invention, other embodiments are also contemplated, as noted in the discussion. In all cases, this disclosure presents the invention by way of representation and not limitation. It should be understood that numerous other modifications and embodiments can be devised by those skilled in the art, which fall within the scope and spirit of the principles of the invention. The figures may not be drawn to scale, and applications and embodiments of the present invention may include features, steps and/or components not specifically shown in the drawings.

### DETAILED DESCRIPTION

[0018] A multi-ply seal with an integral clip and optional heat shield can facilitate assembly in a gas turbine engine and reduce or eliminate seal buckling due to thermal expansion. Although the present disclosure relates to seal assemblies used in gas turbine engines, it will be understood by one skilled in the art that use of the disclosed seal assemblies is not limited to gas turbine engines, but extends to multiple applications, particularly those that use W-type or related compressible seals to form a fluid barrier between two static components.

[0019] FIG. 1 is a quarter-sectional view of a gas turbine engine 20 that includes fan section 22, compressor section 24, combustor section 26 and turbine section 28. Alternative engines might include an augmentor section (not shown) among other systems or features. Fan section 22 drives air along bypass flow path B while compressor section 24 draws air in along core flow path C where air is compressed and communicated to combustor section 26. In combustor section 26, air is mixed with fuel and ignited to generate a high pressure exhaust gas stream that expands through turbine section 28 where energy is extracted and utilized to drive fan section 22 and compressor section 24.

[0020] Although the disclosed non-limiting embodiment depicts a turbofan gas turbine engine, it should be understood that the concepts described herein are not limited to use with turbofans as the teachings may be applied to other types of turbine engines; for example a turbine engine including a three-spool architecture in which three spools concentrically rotate about a common axis and where a low spool enables a low pressure turbine to drive a fan via a gearbox, an intermediate spool that enables an intermediate pressure turbine to drive a first compressor of the compressor section, and a high spool that enables a high pressure turbine to drive a high pressure compressor of the compressor section.

[0021] The example engine 20 generally includes low speed spool 30 and high speed spool 32 mounted for rotation about an engine central longitudinal axis A relative to an engine static structure 36 via several bearing systems 38. It

should be understood that various bearing systems 38 at various locations may alternatively or additionally be provided.

[0022] Low speed spool 30 generally includes inner shaft 40 that connects fan 42 and low pressure (or first) compressor section 44 to low pressure (or first) turbine section 46. Inner shaft 40 drives fan 42 through a speed change device, such as geared architecture 48, to drive fan 42 at a lower speed than low speed spool 30. High-speed spool 32 includes outer shaft 50 that interconnects high pressure (or second) compressor section 52 and high pressure (or second) turbine section 54. Inner shaft 40 and outer shaft 50 are concentric and rotate via bearing systems 38 about engine central longitudinal axis A.

[0023] Combustor 56 is arranged between high pressure compressor 52 and high pressure turbine 54. In one example, high pressure turbine 54 includes at least two stages to provide a double stage high pressure turbine 54. In another example, high pressure turbine 54 includes only a single stage. As used herein, a “high pressure” compressor or turbine experiences a higher pressure than a corresponding “low pressure” compressor or turbine.

[0024] The example low pressure turbine 46 has a pressure ratio that is greater than about 5. The pressure ratio of the example low pressure turbine 46 is measured prior to an inlet of low pressure turbine 46 as related to the pressure measured at the outlet of low pressure turbine 46 prior to an exhaust nozzle.

[0025] Mid-turbine frame 58 of engine static structure 36 is arranged generally between high pressure turbine 54 and low pressure turbine 46. Mid-turbine frame 58 further supports bearing systems 38 in turbine section 28 as well as setting airflow entering low pressure turbine 46.

[0026] The core airflow C is compressed by low pressure compressor 44 then by high pressure compressor 52 mixed with fuel and ignited in combustor 56 to produce high speed exhaust gases that are then expanded through high pressure turbine 54 and low pressure turbine 46. Mid-turbine frame 58 includes airfoils/vanes 60, which are in the core airflow path and function as an inlet guide vane for low pressure turbine 46. Utilizing vanes 60 of mid-turbine frame 58 as inlet guide vanes for low pressure turbine 46 decreases the length of low pressure turbine 46 without increasing the axial length of mid-turbine frame 58. Reducing or eliminating the number of vanes in low pressure turbine 46 shortens the axial length of turbine section 28. Thus, the compactness of gas turbine engine 20 is increased and a higher power density may be achieved.

[0027] The disclosed gas turbine engine 20 in one example is a high-bypass geared aircraft engine. In a further example, gas turbine engine 20 includes a bypass ratio greater than about six (6), with an example embodiment being greater than about ten (10). The example geared architecture 48 is an epicyclic gear train, such as a planetary gear system, star gear system or other known gear system, with a gear reduction ratio of greater than about 2.3.

[0028] In one disclosed embodiment, gas turbine engine 20 includes a bypass ratio greater than about ten (10:1) and the fan diameter is significantly larger than an outer diameter of low pressure compressor 44. It should be understood, however, that the above parameters are only exemplary of one embodiment of a gas turbine engine including a geared architecture and that the present disclosure is applicable to other gas turbine engines.

[0029] FIG. 2 is a cross-sectional view of a compressor vane assembly of the gas turbine engine. FIG. 2 shows component 62, components 64 and 65, seal assembly 66 positioned in a forward compartment between components 62 and 64, and seal 68 positioned in an aft compartment between components 62 and 65. As shown in FIG. 2, component 62 can be a compressor stator ring having vane 60, inner band 70, and outer band 72. Inner and outer bands 70 and 72 can be located on either side of vane 60. Outer band 72 can include flange 73 extending radially outward from outer band 72. As shown in FIG. 2, component 64 can be a compressor support case having a flange 74 extending radially inward toward outer band 72. Seal assembly 66 can seal cooling cavity 75 between components 62 and 64 from core gas flow 76. During normal operation, a pressure differential across seal assembly 66 can be low, generally around 10-30 psi (69-207 kPa). During certain engine operating conditions, the pressure differential across seal assembly 66 can be as high as 150 psi (1034 kPa). Seal 68 can serve as a prime seal; whereas seal assembly 66 can serve as a redundant seal should seal 68 be compromised. Although FIG. 2 illustrates use of seal assembly 66 in a compressor section, it will be understood by one skilled in the art that the seal assemblies of the present disclosure can be used in multiple sections of the gas turbine engine as well as a variety of devices unrelated to gas turbine engines.

[0030] FIGS. 3 and 4 show one embodiment of seal assembly 66. FIG. 3 is a cross-sectional view of seal assembly 66. FIG. 4 is a side view of seal assembly 66 in FIG. 3 looking aftward. Seal assembly 66 can be a multi-ply (e.g., two-ply) split-ring seal with an integral assembly clip. Seal assembly 66 can include split-ring seal 80 and split-ring seal 82. Split-ring seal 82 can be slidably received and nested in split-ring seal 80. Split-ring seal 80 can include circumferentially separated ends 84 and 86 (shown in FIG. 4) and laterally separated edges 88 and 90 (shown in FIG. 3). Likewise, split-ring 82 can include circumferentially separated ends 92 and 94 (shown in FIG. 4) and laterally separated edges 96 and 98 (shown in FIG. 3). Ends 84 and 86 can be separated from ends 92 and 94 by about 180 degrees to reduce leakage through the plies. A body portion of each of split-ring seal 80 and split-ring seal 82 can undulate to form a W-type or related seal having one or more turns 99a-d, capable of being compressed between first component 62 and second component 64. Each turn 99a-d can substantially form an approximately 180 degree arc with a convex surface facing radially inward or outward toward axially extending portions of components 62 and 64, with adjacent turns facing opposite directions. Although the present disclosure illustrates W-seals, it will be understood by one skilled in the art that the number of undulations can be increased or decreased.

[0031] Having two or more split-rings (plies) can increase strength and rigidity of the seal assembly 66 and allow for thermal expansion without buckling, as each split-ring seal 80 and 82 is capable of slidably expanding relative to the other split-ring seal 80 and 82. Some leakage may occur at the interface of ends 84 and 86 and the body portion of split-ring seal 82 and at the interface of ends 92 and 94 and the body portion of split-ring seal 80. However, leakage can be minimized by closely fitting split-ring seals 80 and 82 together, and generally, any negative impact caused by small amounts of leakage is outweighed by the aforementioned benefits of the multi-ply seal assembly. To allow for thermal

expansion along a circumference, ends **84** and **86** can be separated by a distance ( $d_1$ ) along the circumference of split-ring seal **80** (shown in FIG. 4). Likewise, ends **92** and **94** can be separated a distance ( $d_2$ ) along the circumference of split-ring seal **82** (shown in FIG. 4). The distances  $d_1$  and  $d_2$  can generally be equal to one another and can be an arc length corresponding approximately to a five degree angle. However, it will be understood by one skilled in the art, that  $d_1$  and  $d_2$  can be varied as necessary (increased or decreased) to accommodate thermal expansion of split-ring seals **80** and **82**.

[0032] Split-ring seals **80** and **82** can have integral clip portions **100** and **102**, respectively, extending circumferentially from first end **84** to second end **68** and from third end **92** to fourth end **94**. Integral clip portions **100** and **102** can clip or snap on to first component **62** to retain seal assembly **66** in position during assembly. Traditional W-seals without integral clip portions must be tack welded, glued, or otherwise fastened to one component to maintain position during assembly. With or without fastening, traditional W-seals, particularly single-ply full-ring W-seal have a tendency to be improperly pinched between components. Pinching can occur due to blind assembly (inability to visually inspect positioning of the W-seal during assembly) and delicate or flimsy construction of the W-seal, which allows the W-seal to hang downward outside of an ideal positioning for assembly. Integral clip portions **100** and **102** can lock seal assembly **66** in position and can also provide rigidity to seal assembly **66**, thereby limiting the tendency of pinching due to downward hanging. The use of multiple plies or split-ring seals also increases rigidity for improved assembly. Integral clip portion **100** can have two bent portions including axially extending portion **100a** and radially extending portions **100b** and **100c**, extending from either side of axially extending portion **100a**, and bends **100d** and **100e** joining axial portion **100a** with radial portions **100b** and **100c**. Likewise integral clip portion **102** can have axially extending portion **102a** and radially extending portions **102b** and **102c**, extending from either side of axially extending portion **100b**, and bends **102d** and **102e** joining axial portion **102a** with radial portions **102b** and **102c**. Axial surfaces **100a** and **102a** can be substantially linear in cross-section. Bends **100d**, **100e**, **102d**, and **102e** can have curved surfaces forming an arc correlating with an angle substantially less than 180 degrees (e.g., 90 degrees) upon assembly. Radially extending portions **100b** and **102b** can be adjacent first side **110** of first component **62**. Radially extending portions **100c** and **102c** can be adjacent second side **112** of first component **62** opposite first side **110**. The terms “radially extending” and “axial extending” are relative terms used merely for the sake of explaining illustrated embodiments, and are provided as reference to the orientation of seal assembly **66** in the disclosed gas turbine engine. It will be understood by one skilled in the art that seal assembly **66** can be disposed in other directions, in which the terms “axially extending” and “radially extending” no longer apply as used in relation to the present embodiment. Radially extending portions **100b** and **102b** can be tightly biased toward radially extending portions **100c** and **102c**, requiring mechanical means to open integral clip portions **100** and **102** in order to clip seal assembly **66** onto first component **62**. The tight biasing can provide additional rigidity to seal assembly **66** during assembly and operation. However, it will be understood by one skilled in the art that such tight biasing may not be

necessary for all applications and can be modified as desired or as necessary. Additionally, although integral clip portions **100** and **102** alleviate the need for tack welds, glue, or similar means of fastening, such mechanisms can be used in combination with integral clip portions **100** and **102**.

[0033] Split-ring seal **80** can have sealing lobe **114** adjacent edge **88**. Sealing lobe **114** can have a convex curved surface extending laterally outward from edge **88**. Sealing lobe **114** can be compressed against second component **64** upon assembly. The curved outwardly extending shape of sealing lobe **114** can allow increased pressure to be placed on a reduced contact area, thereby improving a seal between seal assembly **66** and second component **64** at the contact area, when assembled. Split-ring seal **82** can have sealing lobe **116** adjacent radially extending portion **102b** of second clip portion **102**. Sealing lobe **116** can have a convex curved surface extending toward and biased toward radially extending portion **102c**. Sealing lobe **116** can extend from a plane that is approximately perpendicular to a plane from which turns **99a-d** extend, such that sealing lobe **116** can be compressed against first side **110** of first component **62** upon assembly. Like sealing lobe **114**, the curved outwardly extending shape of sealing lobe **116** improves a seal between seal assembly **66** and first component **62**. Split-ring seal **82** can additionally have sealing lobe **118** adjacent edge **98**. Sealing lobe **118** can have a convex curved surface extending laterally inward of edge **98**, such that sealing lobe **118** contacts second side **112** of first component **62** upon assembly. Sealing lobe **118** can be biased toward sealing lobe **116**. Although disclosed as a “sealing” lobe, sealing lobe **118** can have a primary function of providing a tight fit to first component **62**, while secondarily providing a redundant seal to sealing lobe **116**. It will be understood by one skilled in the art that sealing lobe **118** can be modified or removed without adverse impact to the effectiveness of seal assembly **66**.

[0034] As shown in FIG. 3, split-ring seal **82** is closely nested in split-ring seal **80** and therefore split-ring seals **80** and **82** can be very similar in shape. In general, split-ring seals **80** and **82** can be formed by rolling. Split-ring seals **80** and **82** can be rolled separately and then assembled together; however, other manufacturing methods can be used. Split-ring seals **80** and **82** can generally consist of nickel based alloys, having a thickness ( $t_s$ ) of 5-7 mils (0.127-0.178 mm); however, the material and thickness can be varied as appropriate for varying applications.

[0035] FIGS. 5 and 6 illustrate another embodiment of the multi-ply split-ring seal with integral assembly clip. FIG. 5 is a cross-sectional view of seal assembly **124**. FIG. 6 is a perspective view of an end portion of seal assembly **124**. Seal assembly **124** is similar to seal assembly **66**, having split-ring seal **80** with circumferentially separated ends **84** and **86**, laterally separated edges **88** and **90**, and sealing lobe **114**; and split-ring seal **82** slidably nested in split-ring seal **80** and having circumferentially separated ends **92** and **94** and laterally separated edges **96** and **98**. Distinct from seal assembly **66**, split-ring seal **82** on seal assembly **124** does not include integral clip portion **102**, while split-ring **80** does. Additionally, as shown in FIG. 5, split-ring **82** can have additional turn **99e** and split-ring **80** can have partial turn **125**. Partial turn **125** can have a convex curved surface directed radially outward. Split-ring seal **82** can include sealing lobe **127** adjacent to edge **98**. Sealing lobe **127** can have a convex surface extending laterally outward from

edge 98 and can be compressed against first side 110 of first component 62 upon assembly to form a seal. Combined, sealing lobes 114 and 127 serve to seal cooling cavity 75 from core gas flow 76.

[0036] Split-ring seal 80 can have integral clip portion 128 adjacent edge 90. Integral clip portion 128 can have one bent portion, including axially extending portion 128a, radially extending portion 128b, and bend 128c joining axially extending portion 128a and radially extending portion 128b at a substantially 90 degree angle upon assembly. Radially extending portion 128b can be adjacent edge 90. As previously discussed, the terms “axially extending” and “radially extending” are relative terms used merely for the sake of explaining illustrated embodiments, and are provided as reference to the orientation of seal assembly 128 in the disclosed gas turbine engine. It will be understood by one skilled in the art that seal assembly 128 can be disposed in other directions, in which the terms “axially extending” and “radially extending” no longer apply as used in relation to the present embodiment. Radially extending portion 128b can be biased toward sealing lobe 127 and can be assembled in contact with second side 112 of first component 62. Combined, sealing lobe 127 and radially extending portion 128b can secure seal assembly 124 to first component 62. Split-ring seal 80 can additionally include sealing lobe 130 adjacent edge 90 and biased toward sealing lobe 127. Sealing lobe 130 can have a convex curved surface extending laterally inward of edge 90, which can thereby concentrate a pressure applied by integral clip portion 128 on first component 62 upon assembly. Similar to sealing lobe 118, sealing lobe 130 can serve both to form a redundant seal to second sealing lobe 127 and to provide a tight fit to first component 62. Sealing lobe 130 is not necessary to secure seal assembly 124 to first component 62 and therefore can be modified or removed without substantially impacting the effectiveness of seal assembly 124.

[0037] Seal assembly 124 can include one or more insulating plenums 132 to reduce heat transfer between core gas flow 76 and cooling cavity 75. Split-ring seal 80 can be radially separated from split-ring seal 82 along at least a portion of the circumference to create one or more insulating plenums 132, thereby forming a gap or gaps. A distance ( $d_3$ ) between split-ring seals 80 and 82 in at least a portion of seal assembly 128 between edges 88 and 90 and edges 96 and 98 forming the gap can be substantially equal to or greater than a thickness ( $t_3$ ) of split-ring seal 80 (generally 5-7 mils (0.127-0.178 mm), but adjustable based on application). The increased distance  $d_3$  can create one or more larger plenums 132, which can serve as insulating layers between split-ring seals 80 and 82. Distance  $d_3$  can vary laterally as shown in FIG. 5. For instance,  $d_3$  can be smaller nearing turns 136 and 138 as well as sealing lobe 114.

[0038] To limit leakage across seal assembly 128, plenums 132 can be closed at or near lateral edges 88, 90, 96, and 98 and circumferential ends 84, 86, 92, and 94. As shown in FIG. 5, split-ring seal 82 can have sealing lobe 134 adjacent edge 96. Sealing lobe 134 can match a shape of sealing lobe 114, having a convex curved surface extending laterally outward. Sealing lobe 114 can be compressed against a concave inner surface 136 of sealing lobe 114 upon assembly to close plenum 132 between edges 88 and 96. Additionally, split-ring seal 80 can contact split-ring seal 82 along the circumference at first turn 136 and laterally opposite second turn 138. First turn 136 can be adjacent second

component 64 and second turn 138 can be adjacent first component 62. First and second turns 136 and 138 can be separated by at least one additional turn. As shown in FIG. 5, three additional turns 140, 142, and 144 separate first and second turns 136 and 138. Split-ring seal 80 can contact split-ring seal 82 at additional turns 140, 142, and 144 or can be separated from additional turns 140, 142, and 144 as shown in FIG. 5 to provide additional insulating capacity.

[0039] FIG. 6 shows closure of ends 92 and 94 of split-ring seal 82 against the body of split-ring seal 80. As shown in FIG. 6, split-rings 80 and 82 come together at end 92 to close plenum 132. One or both of split-rings 80 and 82 can gradually move inward from point 146, which correlates with a separation illustrated in FIG. 5, to point 147 where end 92 of split-ring seal 82 meets the body portion of split-ring seal 80. The gradual closing of plenum 132 can generally extend 1-2 inches (25.4-50.8 mm) along the circumference of split-ring seal 80. Ends 84, 86, and 94, although not all shown, can close in the same or similar manner. Alternatively, ends 84, 86, 92, and 94 can be stepped inward to close plenum 132.

[0040] Instead of having air plenum 132, seal assembly 124 can have thermally insulating member 150 as shown in FIG. 7. Insulating member 150 can be a ceramic or carbon fiber blanket or similar insulating member as known in the art. FIG. 7 is a cross-sectional view of modified seal assembly 124a. Seal assembly 124a can have an insulating member nested between split-ring seals 80 and 82. Insulating member 150 can take the place of plenum 132 or can more fully extend laterally between split-ring seals 80 and 82 as shown in FIG. 7. As shown in FIG. 7, edge 88 of split-ring seal 80 can extend beyond edge 96 of split-ring seal 82 and can fold over edge 152 of insulating member 150 to secure insulating member 150 in place and reduce leakage through insulating member 150. Alternatively, edge 96 can extend beyond edge 88 and fold over insulating member 150, provided the alternative does not interfere with proper sealing of seal assembly 124a. Ends 84, 86, 92, and 94 of seal assembly 124a can be stepped inward according to FIG. 6 and related disclosure, such that ends 84 and 86 of split-ring seal 80 have step 146 to close against split-ring seal 82, and ends 92 and 94 are similarly stepped in to close against split-ring seal 80.

[0041] Incorporation of an insulating member is not limited to seal assemblies 124 and 124a. FIG. 8 is a cross-sectional view of a modified embodiment of the multi-ply split ring seal assembly shown in FIG. 3, showing modified seal assembly 66a with insulating member 150 disposed between split-ring seals 80 and 82. Similar to the embodiment shown in FIG. 7, edge 88 of split-ring seal 80 can extend beyond forward end 92 of split-ring seal and fold over edge 152 of insulating member 150 to secure insulating member 150 in place and reduce leakage through insulating member 150. On the laterally opposite edges 90 and 98, edge 98 of split-ring seal 82 can extend beyond edge 90 of split-ring seal 80 and fold over opposite end 154 of insulating member 150. Alternatively, edge 96 can fold over insulating member 150 and edge 90 can fold over insulating member 150, or any combination of the above that allows for proper sealing and securing of seal assembly 66a. Ends 84, 86, 92, and 94 of seal assembly 66a can be stepped inward according to FIG. 6 and related disclosure.

[0042] FIGS. 9 and 10 are cross-sectional views of the multi-ply split-ring seal assemblies (124 and 66) of FIGS. 5

and 3, respectively, with the addition of a heat shield. Heat shields may find limited application in the compressor section of the gas turbine engine, but can provide added benefit in the turbine section where temperatures are elevated. As shown in FIG. 9, annular heat shield 160 can be nested in integral clip portion 128, forming additional integral clip portion 162. Heat shield 160 can have edge 164 positioned adjacent edge 90 of split-ring seal 80, and can have laterally opposite edge 166 extending laterally outward from edge 88 of split-ring seal 80. Integral clip portion 162 can have axial extending portion 162a and radially extending portions 162b and 162c positioned on either side of axially extending portion 162a and such that radially extending portion 162b is adjacent edge 164. As previously stated, the terms “axially extending” and “radially extending” are relative terms used merely for the sake of explaining illustrated embodiments. Heat shield 160 can have sealing lobe 170 adjacent radially extending portion 162c. Sealing lobe 170 can have a convex curved surface extending laterally outward. Sealing lobe 170 can displace sealing lobe 127 of split-ring seal 82, such that sealing lobe 170 is compressed against first side 110 of first component 62 upon assembly and such that sealing lobe 127 is compressed into concave inner surface 172 of sealing lobe 170. Likewise radially extending portion 162b can displace radially extending portion 128b of split-ring seal 80 away from second side 112 of first component 62 upon assembly. Sealing lobe 170 and radially extending portion 162b can be tightly biased toward each other to form a tight fit over first component 62. Similar to previously disclosed embodiments and as shown in FIG. 9, heat shield 160 can have sealing lobe 174 adjacent edge 164. Sealing lobe 174 can have a convex curved surface extending laterally inward from edge 164, such that biasing pressure can be concentrated at edge 164. Sealing lobe 130 of split-ring seal can be fitted to inner concave surface 176 of sealing lobe 174. Sealing lobe 174 can serve as a redundant seal for sealing lobe 172 and can provide a tight fit over first component 62. As disclosed for previous embodiments, sealing lobe 174 can be modified or removed without significantly impacting the effectiveness of seal assembly 124.

[0043] Heat shield 160 can have lobe 178 adjacent edge 166. Lobe 178 can have a convex curved surface extending radially outward of edge 166. Lobe 178 and axially extending portion 179 can be biased toward turns 140 and 144 of split-ring seals 80 and 82 and can compress against wall 180 upon assembly. Wall 180 can be slanted to press heat shield 160 radially inward during assembly to form a tight fit. Additionally, heat shield can have curved section 183 to provide a closer fit to split-ring seal 82. Heat shield 160 can reduce thermal stresses on first and second split-ring seals 80 and 82 and reduce heat transfer across seal assembly 138.

[0044] FIG. 10 shows seal assembly 66 with heat shield 184. Heat shield 184 can be structurally very similar to heat shield 160, having edge 164; edge 166; integral clip portion 162, configured to clip onto first component 62; laterally extending convex sealing lobe 170 displacing and being compressed by sealing lobe 118 of split-ring seal 82 upon assembly; laterally extending convex sealing lobe 174 adjacent edge 164 and configured to localize pressure against first component 62; and radially extending sealing lobe 178 configured to engage wall 180. Unlike the embodiment disclosed in FIG. 9, integral clip portion 162 of heat shield 184 can be nested in integral clip portion 102 of split-ring

seal 82, which can be nested in integral clip portion 100 of split-ring seal 80, thereby forming a three-ply integral clip assembly. The three-ply integral clip assembly can improve strength of fit to first component 62 and rigidity of seal assembly 66. Additionally, the incorporation of heat shield 184 reduces thermal stress on split-ring seals and reduces heat transfer across seal assembly 66.

[0045] The disclosed multi-ply split ring seal assemblies with optional heat shield can facilitate assembly in gas turbine engines, reduce or eliminate seal buckling due to thermal expansion, reduce additional thermal stresses to the seal assembly, increase the lifetime of the seal assembly, and reduce heat transfer across the seal assembly. While the present disclosure relates to assembly in gas turbine engines, it will be understood by one skilled in the art that the disclosed seal assemblies can be adopted for use in multiple applications, particularly where traditional W-seals and related compressible seals are used.

#### Discussion of Possible Embodiments

[0046] The following are non-exclusive descriptions of possible embodiments of the present invention.

[0047] A seal assembly for a gas turbine engine includes first and second split-ring seal with the second split-ring seal being slidably received and nested in the first seal. The first split-ring seal includes circumferentially separated first and second ends, laterally separated first and second edges, a first sealing lobe adjacent the first edge, and a first integral clip portion adjacent the second edge. The first sealing lobe includes a curved surface extending laterally outward from the first edge. The second split-ring seal can include circumferentially separated third and fourth ends, and laterally separated third and fourth edges.

[0048] The seal assembly of the preceding paragraph can optionally include, additionally and/or alternatively, any one or more of the following features, configurations and/or additional components:

[0049] A further embodiment of the foregoing seal assembly, wherein the first clip portion can circumferentially extend from the first end to the second end.

[0050] A further embodiment of the foregoing seal assembly, wherein at least a portion of each of the first and second seals can be substantially W-shaped.

[0051] A further embodiment of the foregoing seal assembly, wherein the second split-ring seal can include a second sealing lobe adjacent the fourth edge. The second sealing lobe can be a curved surface extending laterally outward from the fourth edge.

[0052] A further embodiment of the foregoing seal assembly, wherein the first split-ring seal further can include a third sealing lobe adjacent the second edge. The third sealing lobe can be a curved surface extending laterally inward from the second edge and the second sealing lobe can be biased toward the third sealing lobe.

[0053] A further embodiment of the foregoing seal assembly can include a first component having a first side and second side located opposite the first side. The second sealing lobe can contact the first side and the third sealing lobe can contact the second side.

[0054] A further embodiment of the foregoing seal assembly, wherein the first split-ring seal can be radially separated from the second split-ring seal along at least a portion of the circumference, and a distance between the first and second seal in at least a portion of the seal assembly between the



first and second edges and third and fourth edges can be substantially equal to or greater than a thickness of the first split-ring seal.

**[0055]** A further embodiment of the foregoing seal assembly, wherein the first split-ring seal can contact the second seal along the circumference at a first bend and at a laterally opposite second bend. The first and second bends can be separated by at least one additional bend.

**[0056]** A further embodiment of the foregoing seal assembly, wherein the first, second, third and fourth ends can each comprise a step to substantially close one or more gaps between the first split-ring seal and the second split-ring seal.

**[0057]** A further embodiment of the foregoing seal assembly can include insulating member. The insulating member can be nested between the first and second split-ring seals.

**[0058]** A further embodiment of the foregoing seal assembly, wherein first edge of the first split-ring seal can extend beyond the third edge of the second split-ring seal and fold over an edge of the insulating member.

**[0059]** A further embodiment of the foregoing seal assembly, wherein the second split-ring seal can include a second integral clip portion adjacent the fourth edge. The integral clip portion can include first and second radially extending portions, and an axial extending portion. The axial extending portion can separate the first and second radially extending portions, and the second radially extending portion can be adjacent the fourth edge. A fourth sealing lobe adjacent the first radial extending portion can include a curved surface extending toward and biased toward the second radially extending portion.

**[0060]** A further embodiment of the foregoing seal assembly can include an annular heat shield nested in the second clip portion. The annular heat shield can include a fifth edge positioned adjacent the fourth edge of the second split-ring seal and a sixth edge extending laterally outward from the first edge of the first split-ring seal.

**[0061]** A further embodiment of the foregoing seal assembly, wherein a portion of the first and second split-ring seals extending between the first and second edges and the first and second clip portions can have a substantially undulating shape.

**[0062]** A further embodiment of the foregoing seal assembly can include a first component having a first side and second side located opposite the first side. The fourth sealing lobe can contact the first side and the first radially extending portion can contact the second side.

**[0063]** A further embodiment of the foregoing seal assembly can include an annular heat shield nested in the first clip portion. The annular heat shield can include a fifth edge positioned adjacent the second edge of the first split-ring seal and a sixth edge extending laterally outward from the first edge of the first split-ring seal.

**[0064]** A further embodiment of the foregoing seal assembly, wherein the second split-ring seal can include a second sealing lobe adjacent the fourth edge. The second sealing lobe can have a curved surface extending outward from the fourth edge. The heat shield can include a sixth sealing lobe having a curvature substantially matching the curved surface of the second sealing lobe and positioned in contact with the second sealing lobe.

**[0065]** A method of sealing a cavity in a gas turbine engine includes clipping a portion of a multi-ply split-ring seal to a first component of a gas turbine engine and compressing a

portion of each ply of the multi-ply seal between the first component and a second component of the gas turbine engine.

**[0066]** The method of the preceding paragraph can optionally include, additionally and/or alternatively, any one or more of the following features, configurations and/or additional components:

**[0067]** A further embodiment of the foregoing method can include clipping a heat shield to the first component of the gas turbine engine. The heat shield can be disposed between the first component and the seal.

**[0068]** A further embodiment of the foregoing method providing an insulating layer between plies of the multi-ply seal.

#### SUMMATION

**[0069]** Any relative terms or terms of degree used herein, such as “substantially”, “essentially”, “generally”, “approximately” and the like, should be interpreted in accordance with and subject to any applicable definitions or limits expressly stated herein. In all instances, any relative terms or terms of degree used herein should be interpreted to broadly encompass any relevant disclosed embodiments as well as such ranges or variations as would be understood by a person of ordinary skill in the art in view of the entirety of the present disclosure, such as to encompass ordinary manufacturing tolerance variations, incidental alignment variations, alignment or shape variations induced by thermal, rotational or vibrational operational conditions, and the like.

**[0070]** While the invention has been described with reference to an exemplary embodiment(s), it will be understood by those skilled in the art that various changes may be made and equivalents may be substituted for elements thereof without departing from the scope of the invention. In addition, many modifications may be made to adapt a particular situation or material to the teachings of the invention without departing from the essential scope thereof. Therefore, it is intended that the invention not be limited to the particular embodiment(s) disclosed, but that the invention will include all embodiments falling within the scope of the appended claims.

1. A method of sealing a cavity in a gas turbine engine, the method comprising:

clipping a portion of a multi-ply split-ring seal to a first component of a gas turbine engine, the multi-ply split-ring seal comprising a first ply and a second ply; and compressing a portion of each of the first ply and the second ply between the first component and a second component of the gas turbine engine.

2. The method of claim 1, wherein clipping a portion of the multi-ply split-ring seal comprises securing a concave-shaped clip portion to a flange of the first component.

3. The method of claim 2, wherein securing the concave-shaped clip portion to the flange comprises:

biasing the first ply of the multi-ply split ring seal toward a first side of the flange; and

biasing the second ply of the multi-ply split ring seal toward a second side of the flange.

4. The method of claim 2, wherein compressing a portion of each ply of the multi-ply seal between the first component and the second component comprises compressing an undulating portion of the multi-ply split-ring seal between the first component and the second component.

5. The method of claim 4, further comprising:  
engaging the second component with a first sealing lobe of the first ply of the multi-ply split-ring seal; and  
engaging the flange of the first component with a second sealing lobe of the second ply of the multi-ply split-ring seal.
6. The method of claim 4, further comprising engaging the flange with a third sealing lobe of one of the first ply and second ply of the multi-ply split-ring seal, wherein the third sealing lobe engages a first side of the flange and the second sealing lobe engages a second side of the flange opposite the first side.
7. The method of claim 2, further comprising:  
clipping a heat shield to the flange, wherein the heat shield is disposed between the multi-ply split-ring seal and the flange.
8. The method of claim 7, further comprising:  
engaging the second component with a first sealing lobe of the first ply of the multi-ply split-ring seal;  
engaging the first component with the heat shield, wherein a second sealing lobe of the second ply of the multi-ply split-ring seal biases the heat shield against the first component.
9. The method of claim 8, wherein a third sealing lobe of one of the first ply and second ply of the multi-ply split-ring seal biases the heat shield against a first side of the flange

and wherein the second sealing lobe biases the heat shield against a second side of the flange opposite the first side.

10. The method of claim 7, wherein the heat shield has an axially extending portion, the axially extending portion being radially separated from an undulating portion of the multi-ply split-ring seal between the first and second components.

11. The method of claim 10, further comprising biasing a sealing lobe of the axially extending portion of the heat shield against the second component.

12. The method of claim 2, further comprising:  
providing an insulating layer between plies of the multi-ply seal.

13. The method of claim 12, wherein providing an insulating layer comprises separating the first ply of the multi-ply seal from the second ply of the multi-ply seal to form a plenum therebetween, wherein the plenum is fully enclosed by the first and second plies.

14. The method of claim 12, wherein providing an insulating layer comprises providing an insulating member between the first ply of the multi-ply seal and the second ply of the multi-ply seal.

15. The method of claim 14, wherein the insulating member is fully enclosed by the first and second plies.

\* \* \* \* \*