

(12) UK Patent Application (19) GB (11) 2503161 (13) A

(43) Date of Reproduction by UK Office 18.12.2013

(21) Application No: 1316535.2

(22) Date of Filing: 20.03.2012

Date Lodged: 18.09.2013

(30) Priority Data:
(31) 61466716 (32) 23.03.2011 (33) US

(86) International Application Data:
PCT/US2012/029763 En 20.03.2012

(87) International Publication Data:
WO2012/129207 En 27.09.2012

(51) INT CL:
G02B 6/44 (2006.01)

(56) Documents Cited:
US 4852965 A US 4761053 A
US 20100150505 A1 US 20100080514 A1
US 20090129733 A1
US2011/0005795A1

(58) Field of Search:
INT CL G02B
Other: USPC: 385/113, USPC: 385/100,102,104, 105,
107, 110-114, PubWEST(USPT,PGPB,EPAB,JPAB),
Google Scholar

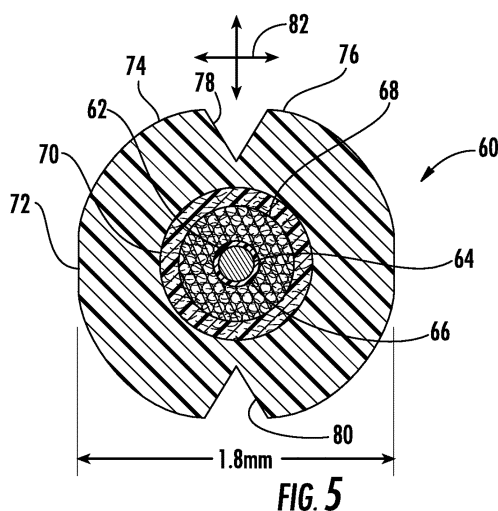
(71) Applicant(s):
AFL Telecommunications LLC
260 Parkway East, Duncan 29334, South Carolina,
United States of America

(72) Inventor(s):
Yoshio Hashimoto
Joseph Cignarale
Matsuhiko Miyamoto

(74) Agent and/or Address for Service:
Withers & Rogers LLP
4 More London Riverside, LONDON, SE1 2AU,
United Kingdom

(54) Title of the Invention: **Fiber optic cable**
Abstract Title: **Fiber optic cable**

(57) A fiber optic cable comprises at least one elongated optical fiber situated in a fiber nest having a plurality of filaments collectively surrounding the optical fiber. The cable further includes a structural member at least partially surrounding the optical fiber but spaced apart from the optical fiber in a radial direction such that at least some of the filaments of the fiber nest are positioned between the optical fiber and the structural member. The foregoing elements are encased in an outer jacket.



GB 2503161 A