

(19) World Intellectual Property Organization  
International Bureau



(43) International Publication Date  
21 December 2007 (21.12.2007)

PCT

(10) International Publication Number  
**WO 2007/146259 A3**

(51) International Patent Classification:

*B32B 3/12* (2006.01)      *B32B 5/30* (2006.01)  
*B32B 5/26* (2006.01)      *F41H 5/04* (2006.01)  
*B32B 5/28* (2006.01)

(21) International Application Number:

PCT/US2007/013734

(22) International Filing Date: 12 June 2007 (12.06.2007)

(25) Filing Language: English

(26) Publication Language: English

(30) Priority Data:

11/452,877      14 June 2006 (14.06.2006)      US

(71) Applicant (for all designated States except US): **HEXCEL CORPORATION** [US/US]; 11711 Dublin Blvd., Dublin, CA 94568 (US).

(72) Inventors: **FOLLO, Brian, J.**; 419 Patriot Court, Anderson, SC 29621 (US). **ISLEY, Frederick, P., Jr.**; 122 Pin-nacle Pointe Drive, Seneca, SC 29672 (US).

(74) Agent: **WITHERS, James, D.**; Withers & Keys, LLC, P.O. Box 2049, McDonough, GA 30253 (US).

(81) Designated States (unless otherwise indicated, for every kind of national protection available): AE, AG, AL, AM, AT, AU, AZ, BA, BB, BG, BH, BR, BW, BY, BZ, CA, CH, CN, CO, CR, CU, CZ, DE, DK, DM, DO, DZ, EC, EE, EG, ES, FI, GB, GD, GE, GH, GM, GT, HN, HR, HU, ID, IL, IN, IS, JP, KE, KG, KM, KN, KP, KR, KZ, LA, LC, LK, LR, LS, LT, LU, LY, MA, MD, ME, MG, MK, MN, MW, MX, MY, MZ, NA, NG, NI, NO, NZ, OM, PG, PH, PL, PT, RO, RS, RU, SC, SD, SE, SG, SK, SL, SM, SV, SY, TJ, TM, TN, TR, TT, TZ, UA, UG, US, UZ, VC, VN, ZA, ZM, ZW.

(84) Designated States (unless otherwise indicated, for every kind of regional protection available): ARIPO (BW, GH, GM, KE, LS, MW, MZ, NA, SD, SL, SZ, TZ, UG, ZM, ZW), Eurasian (AM, AZ, BY, KG, KZ, MD, RU, TJ, TM), European (AT, BE, BG, CH, CY, CZ, DE, DK, EE, ES, FI, FR, GB, GR, HU, IE, IS, IT, LT, LU, LV, MC, MT, NL, PL, PT, RO, SE, SI, SK, TR), OAPI (BF, BJ, CF, CG, CI, CM, GA, GN, GQ, GW, ML, MR, NE, SN, TD, TG).

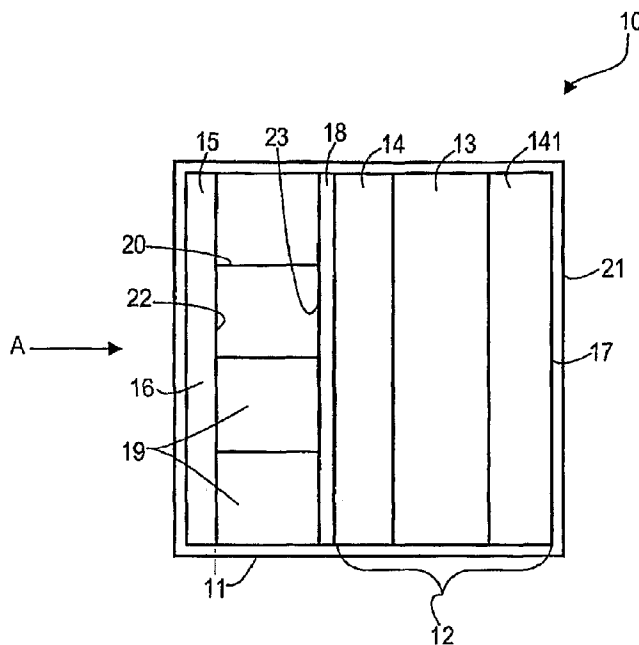
Published:

- with international search report
- before the expiration of the time limit for amending the claims and to be republished in the event of receipt of amendments

(88) Date of publication of the international search report:

14 February 2008

(54) Title: COMPOSITE ASSEMBLY AND METHODS OF MAKING AND USING THE SAME



(57) Abstract: Composite assemblies are disclosed. Methods of making and using composite assemblies are also disclosed.

WO 2007/146259 A3

**INTERNATIONAL SEARCH REPORT**

International application No  
PCT/US2007/013734

**A. CLASSIFICATION OF SUBJECT MATTER**  
 INV. B32B3/12 B32B5/26 B32B5/28 B32B5/30 F41H5/04

According to International Patent Classification (IPC) or to both national classification and IPC

**B. FIELDS SEARCHED**  
 Minimum documentation searched (classification system followed by classification symbols)  
 B32B F41H

Documentation searched other than minimum documentation to the extent that such documents are included in the fields searched

Electronic data base consulted during the international search (name of data base and, where practical, search terms used)  
 EPO-Internal, WPI Data

**C. DOCUMENTS CONSIDERED TO BE RELEVANT**

Category*	Citation of document, with indication, where appropriate, of the relevant passages	Relevant to claim No.
A	WO 2004/099705 A (UNIV DREXEL [US]; KO FRANK [US]; GESHURY AMOTZ [US]; LAM HOA [US]) 18 November 2004 (2004-11-18) paragraphs [0005], [0016], [0017], [0023], [0024], [0028]; claims 1,2,6-10,22,23,35; figures	1-20
A	EP 0 678 724 A (DUNN ERIC [US]) 25 October 1995 (1995-10-25) column 1, line 42 - line 48 column 5, line 37 - column 6, line 54; figures 1,2 column 7, lines 10-18,33-38; figure 4 column 8, line 11 - line 14	1,14,18,19

Further documents are listed in the continuation of Box C.  See patent family annex.

\* Special categories of cited documents :

*A* document defining the general state of the art which is not considered to be of particular relevance	*T* later document published after the international filing date or priority date and not in conflict with the application but cited to understand the principle or theory underlying the invention
*E* earlier document but published on or after the international filing date	*X* document of particular relevance; the claimed invention cannot be considered novel or cannot be considered to involve an inventive step when the document is taken alone
*L* document which may throw doubts on priority claim(s) or which is cited to establish the publication date of another citation or other special reason (as specified)	*Y* document of particular relevance; the claimed invention cannot be considered to involve an inventive step when the document is combined with one or more other such documents, such combination being obvious to a person skilled in the art.
*O* document referring to an oral disclosure, use, exhibition or other means	*Z* document member of the same patent family
*P* document published prior to the international filing date but later than the priority date claimed	

Date of the actual completion of the international search  4 December 2007	Date of mailing of the international search report  12/12/2007
--	--

Name and mailing address of the ISA/ European Patent Office, P.B. 5818 Patentlaan 2 NL - 2280 HV Rijswijk Tel. (+31-70) 340-2040, Tx. 31 651 epo nl, Fax: (+31-70) 340-3016	Authorized officer  Kanetakis, Ioannis
---	--

# INTERNATIONAL SEARCH REPORT

Information on patent family members

International application No

PCT/US2007/013734

Patent document cited in search report	Publication date	Patent family member(s)	Publication date
WO 2004099705 A	18-11-2004	AU 2003224865 A1	26-11-2004
EP 0678724 A	25-10-1995	CA 2119210 A1	17-09-1995
		US 5349893 A	27-09-1994