



US009832982B2

(12) **United States Patent**
Omura

(10) **Patent No.:** **US 9,832,982 B2**
(45) **Date of Patent:** **Dec. 5, 2017**

(54) **MOVABLE HOOD FOR REEL SEAT, REEL SEAT, AND FISHING ROD INCLUDING SAME**

(71) Applicant: **FUJI KOGYO CO., LTD.**, Shizuoka (JP)

(72) Inventor: **Kazuhito Omura**, Shizuoka (JP)

(73) Assignee: **FUJI KOGYO CO., LTD.**, Shizuoka-shi (JP)

(*) Notice: Subject to any disclaimer, the term of this patent is extended or adjusted under 35 U.S.C. 154(b) by 0 days.

(21) Appl. No.: **14/910,978**

(22) PCT Filed: **Sep. 2, 2014**

(86) PCT No.: **PCT/JP2014/073030**

§ 371 (c)(1),

(2) Date: **Feb. 8, 2016**

(87) PCT Pub. No.: **WO2015/037470**

PCT Pub. Date: **Mar. 19, 2015**

(65) **Prior Publication Data**

US 2016/0198689 A1 Jul. 14, 2016

(30) **Foreign Application Priority Data**

Sep. 10, 2013 (KR) 10-2013-0108609

May 29, 2014 (KR) 10-2014-0065032

(51) **Int. Cl.**

A01K 87/06 (2006.01)

A01K 89/01 (2006.01)

A01K 87/00 (2006.01)

(52) **U.S. Cl.**

CPC **A01K 89/01127** (2015.05); **A01K 87/00** (2013.01)

(58) **Field of Classification Search**

CPC ... **A01K 89/01127**; **A01K 87/06**; **A01K 87/00**

See application file for complete search history.

(56) **References Cited**

U.S. PATENT DOCUMENTS

4,756,114 A * 7/1988 Ohmura A01K 87/06
43/22

5,600,915 A * 2/1997 Ohmura A01K 87/06
43/22

(Continued)

FOREIGN PATENT DOCUMENTS

EP 1 588 613 A1 10/2005
JP 2548017 Y2 9/1997

(Continued)

OTHER PUBLICATIONS

International Search Report dated Dec. 9, 2014, in PCT/JP2014/073030 filed Sep. 2, 2014.

2013 Shimano Fishing Tackle Catalog, Jan. 23, 2013, (1 page).

Primary Examiner — Christopher P Ellis

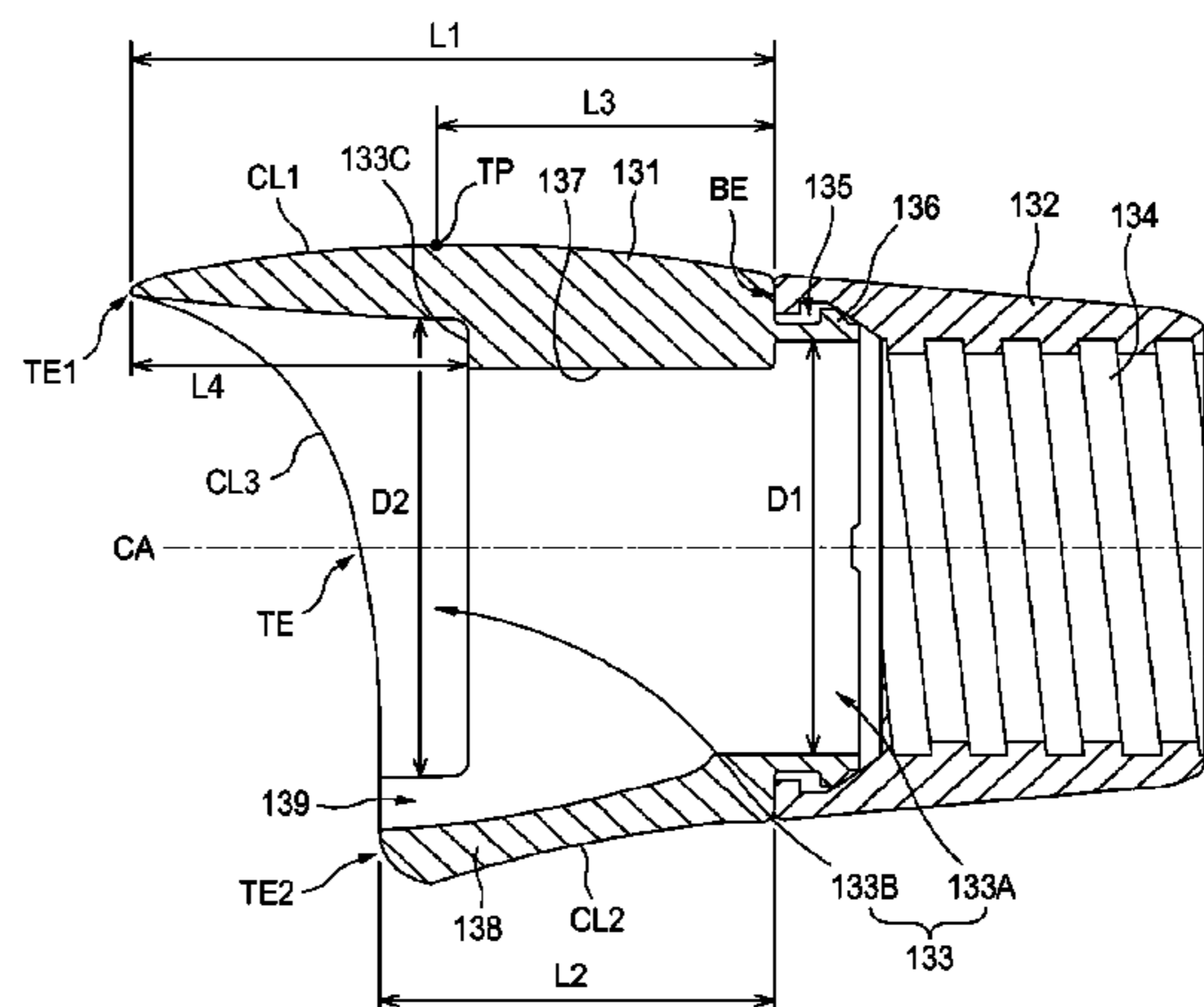
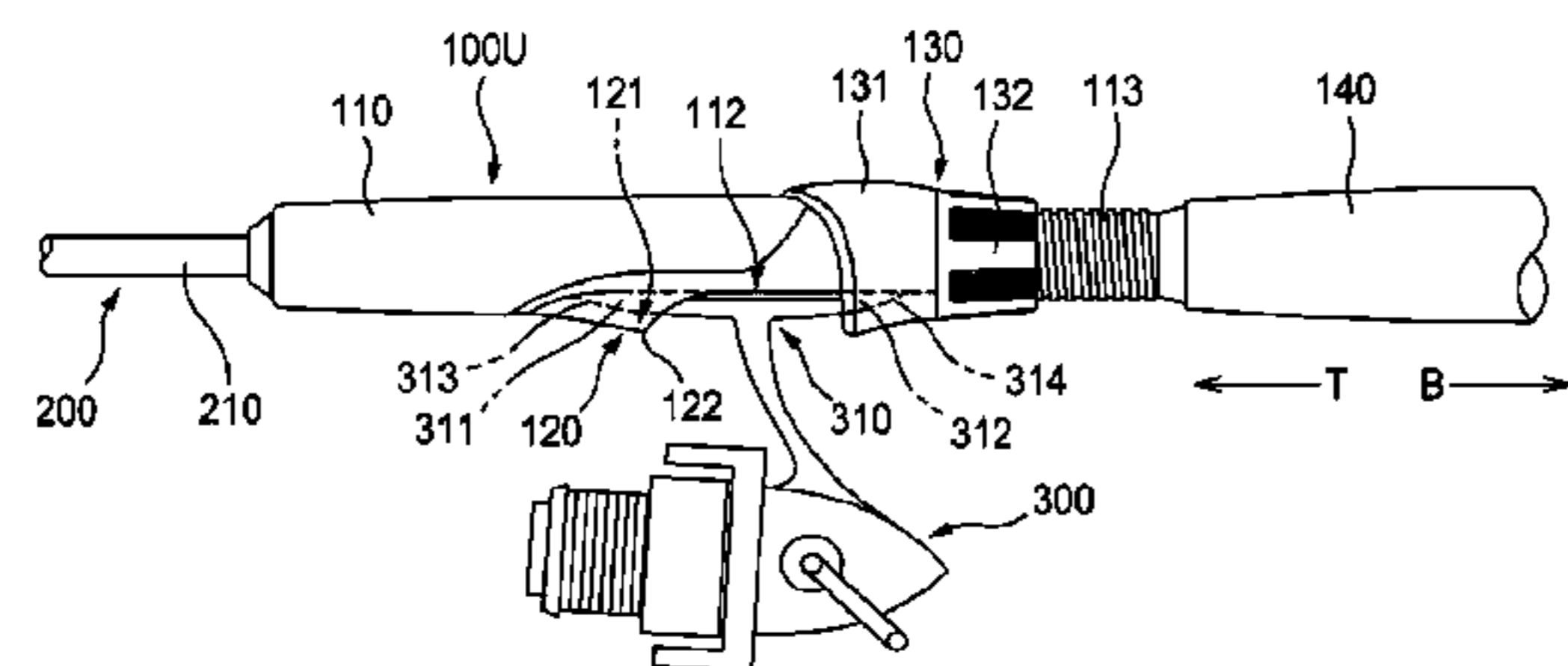
Assistant Examiner — Jessica B Wong

(74) *Attorney, Agent, or Firm* — Oblon, McClelland, Maier & Neustadt, L.L.P.

(57) **ABSTRACT**

A movable hood for a reel seat has a hood portion and a nut portion. A body of a reel seat passes through the hood portion. The hood portion is movable in a longitudinal direction of the body. The nut portion is connected to the hood portion to rotate around the body and is threadedly coupled to an outer peripheral surface of the body at an inner peripheral surface. The hood portion has a base end facing the nut portion and a leading end located opposite the base end. When viewing the hood portion from side, a length of an upper side of the hood portion from the base end to the leading end is longer than a length of a lower side of the hood portion from the base end to the leading end, and an upper contour of the hood portion has an upward convex curve line.

12 Claims, 8 Drawing Sheets



(56)

References Cited

U.S. PATENT DOCUMENTS

5,904,000 A 5/1999 Ohmura
2004/0088900 A1* 5/2004 Irrgang A01K 87/08
43/23

FOREIGN PATENT DOCUMENTS

JP 3053767 B2 6/2000
JP 2001-061381 A 3/2001
JP 3654566 B2 6/2005
JP 2007-282596 A 11/2007
JP 2008-220213 A 9/2008
JP 2009-268416 A 11/2009
JP 2011-010593 A 1/2011
JP 4767438 B2 9/2011
KR 10-2009-0107399 A 10/2009

* cited by examiner

FIG. 1
(PRIOR ART)

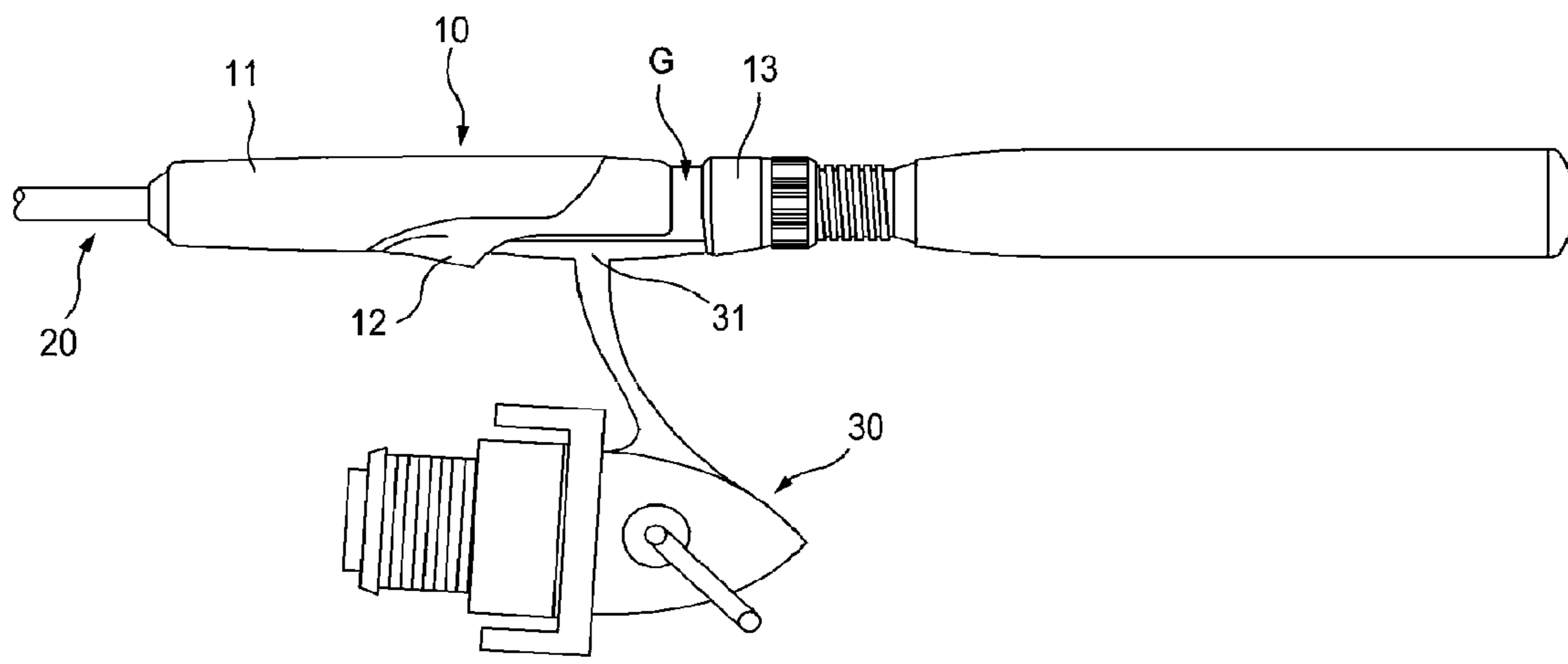


FIG. 2
(PRIOR ART)

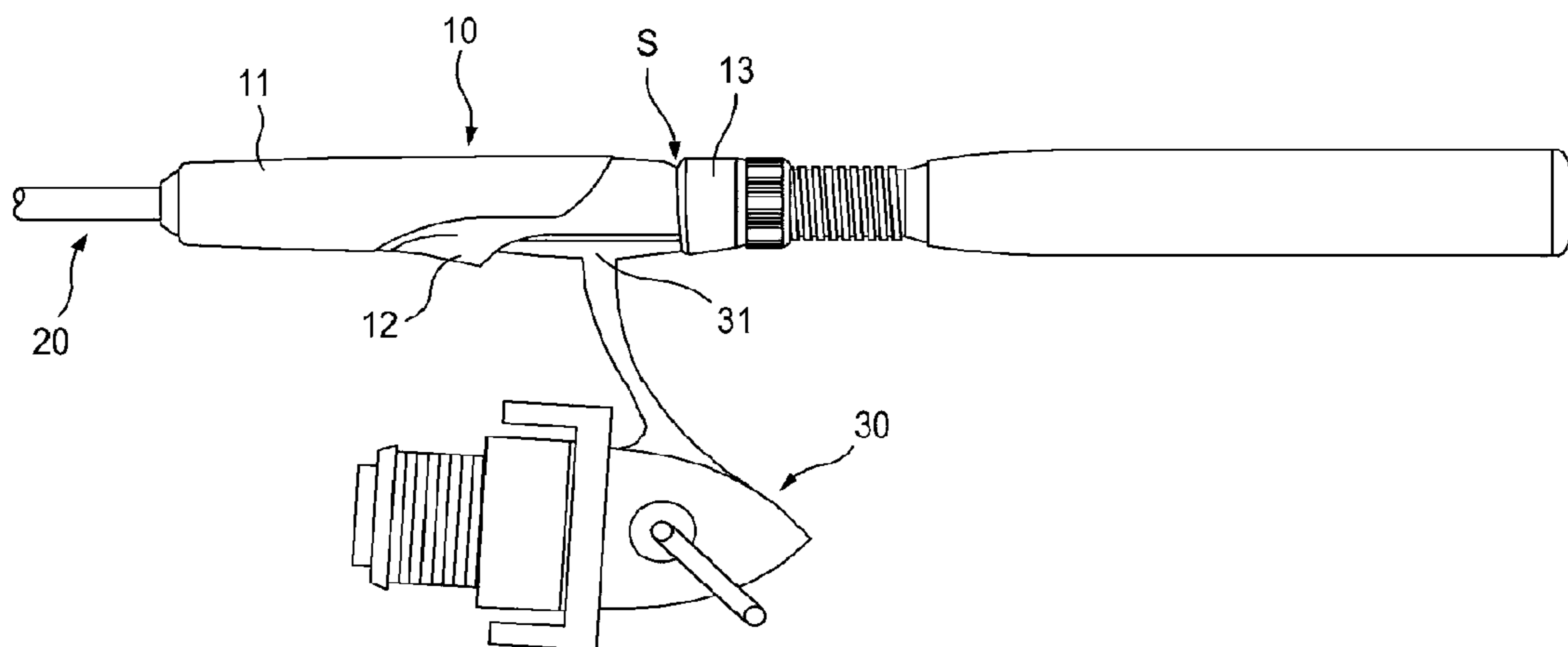


FIG. 3

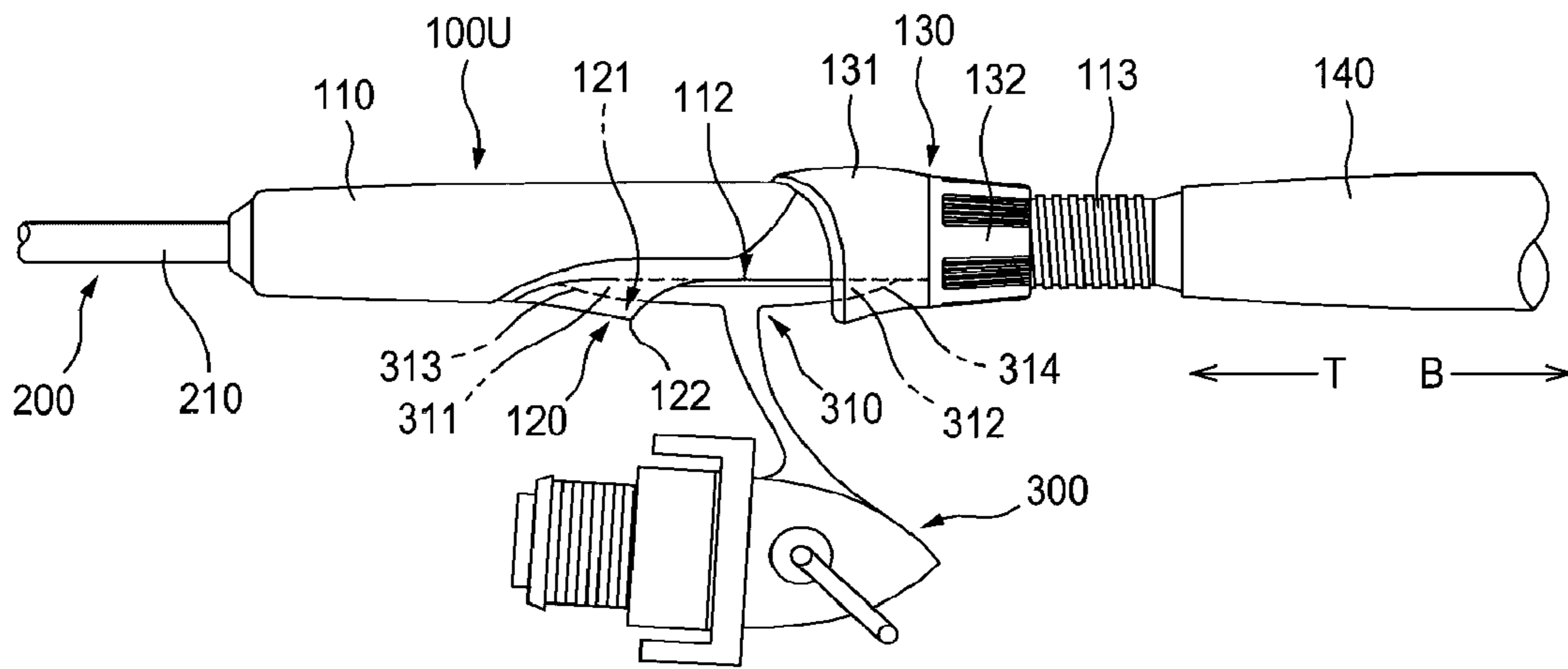


FIG. 4

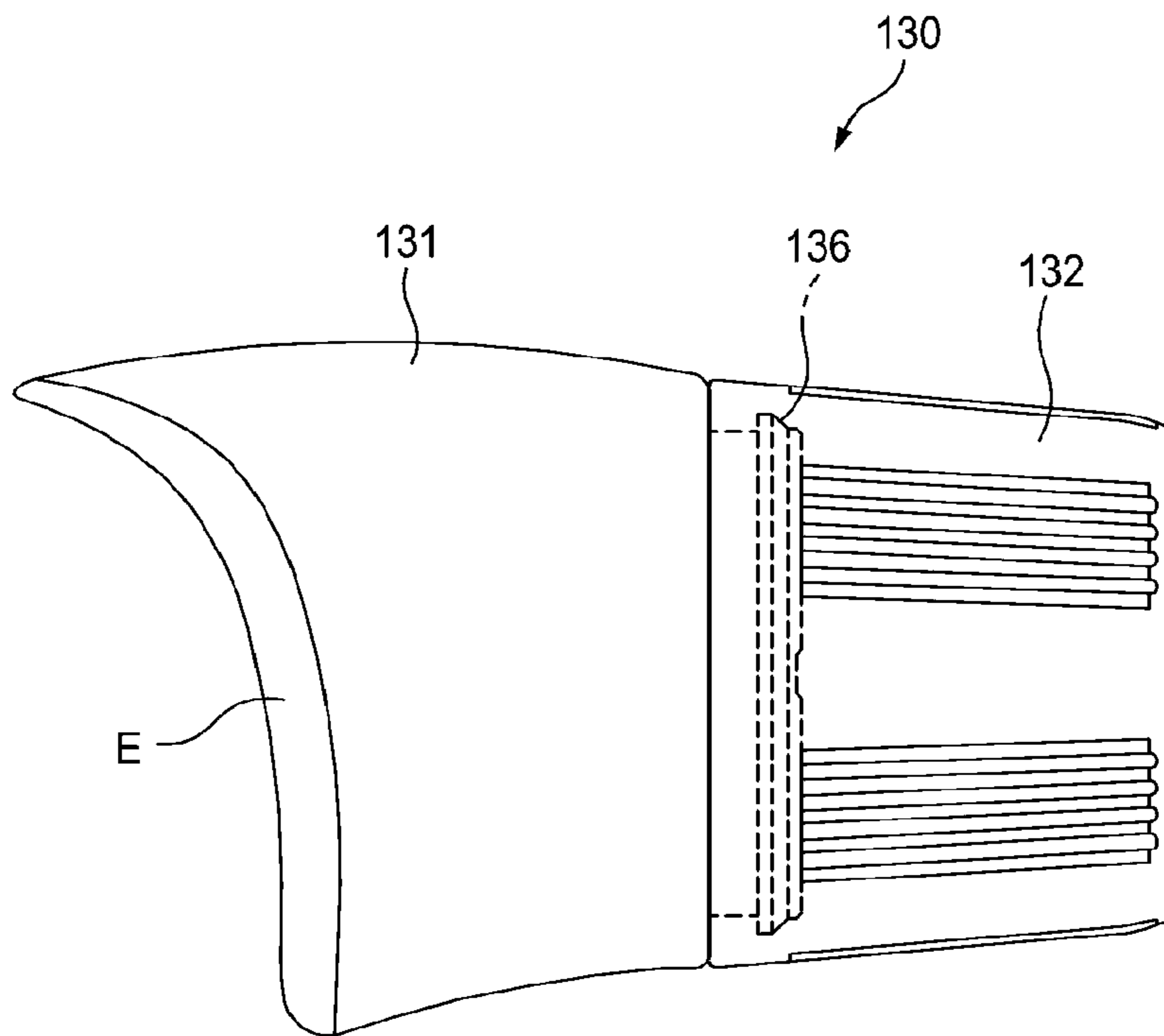


FIG. 5

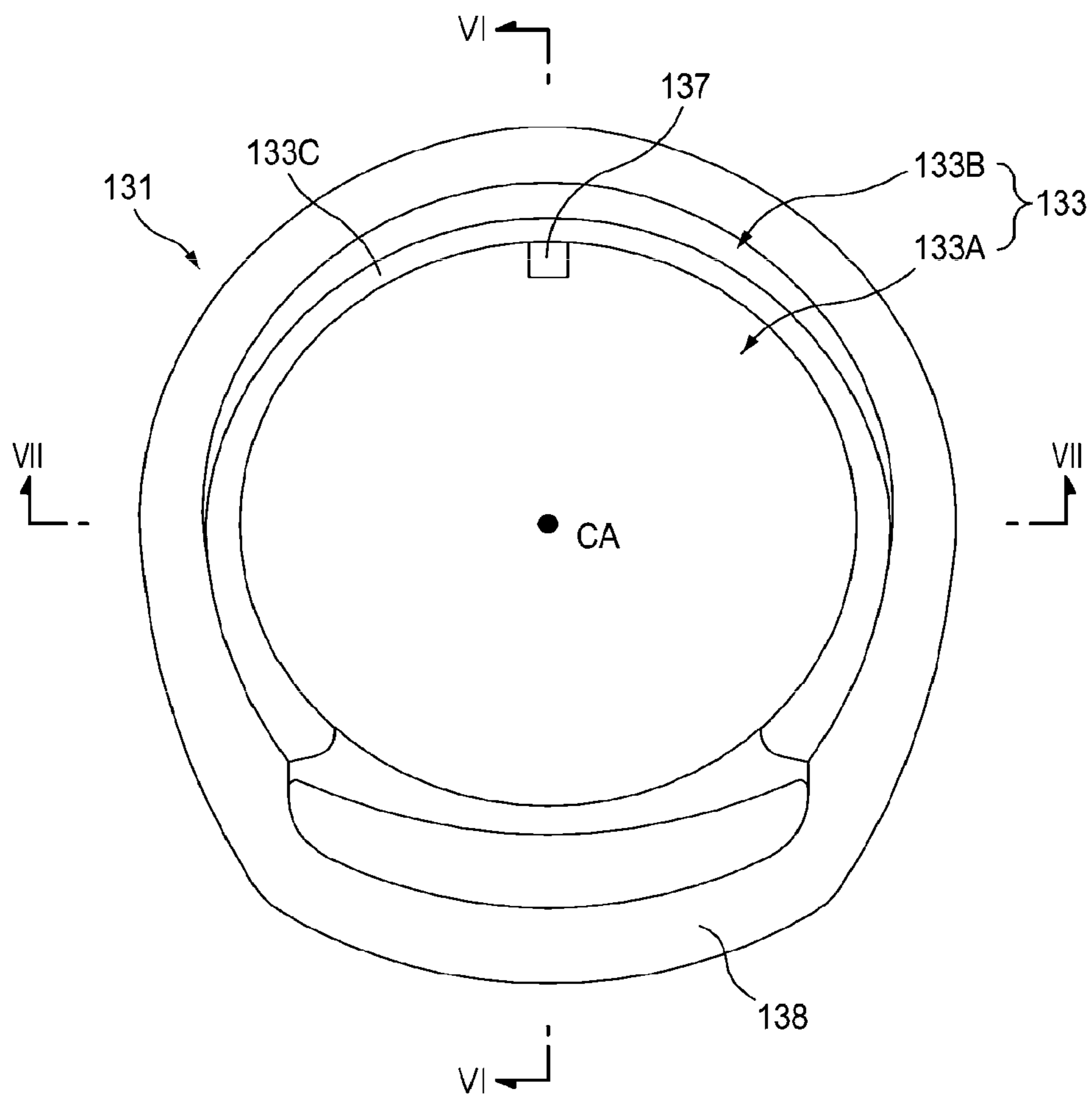


FIG. 6

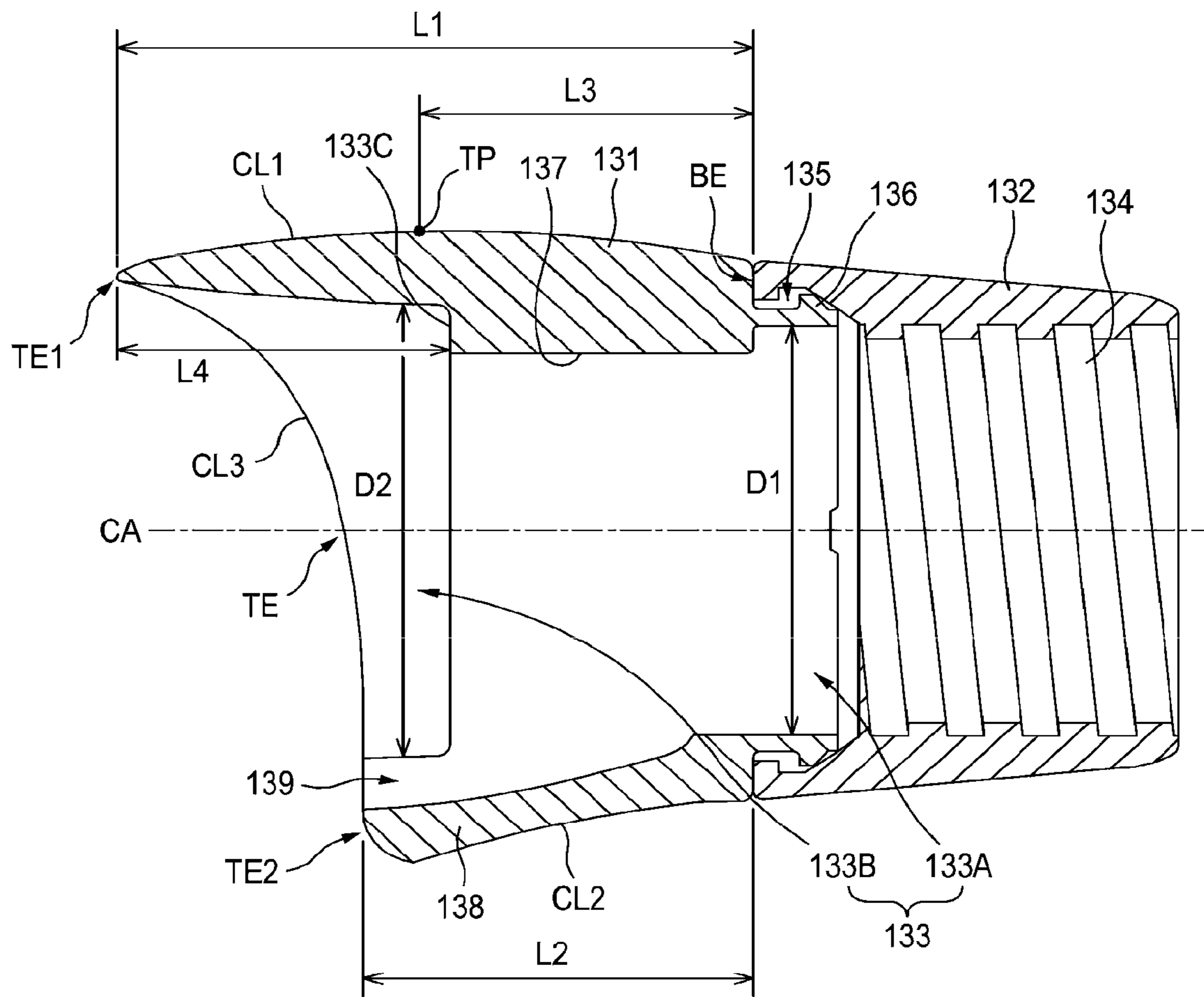


FIG. 7

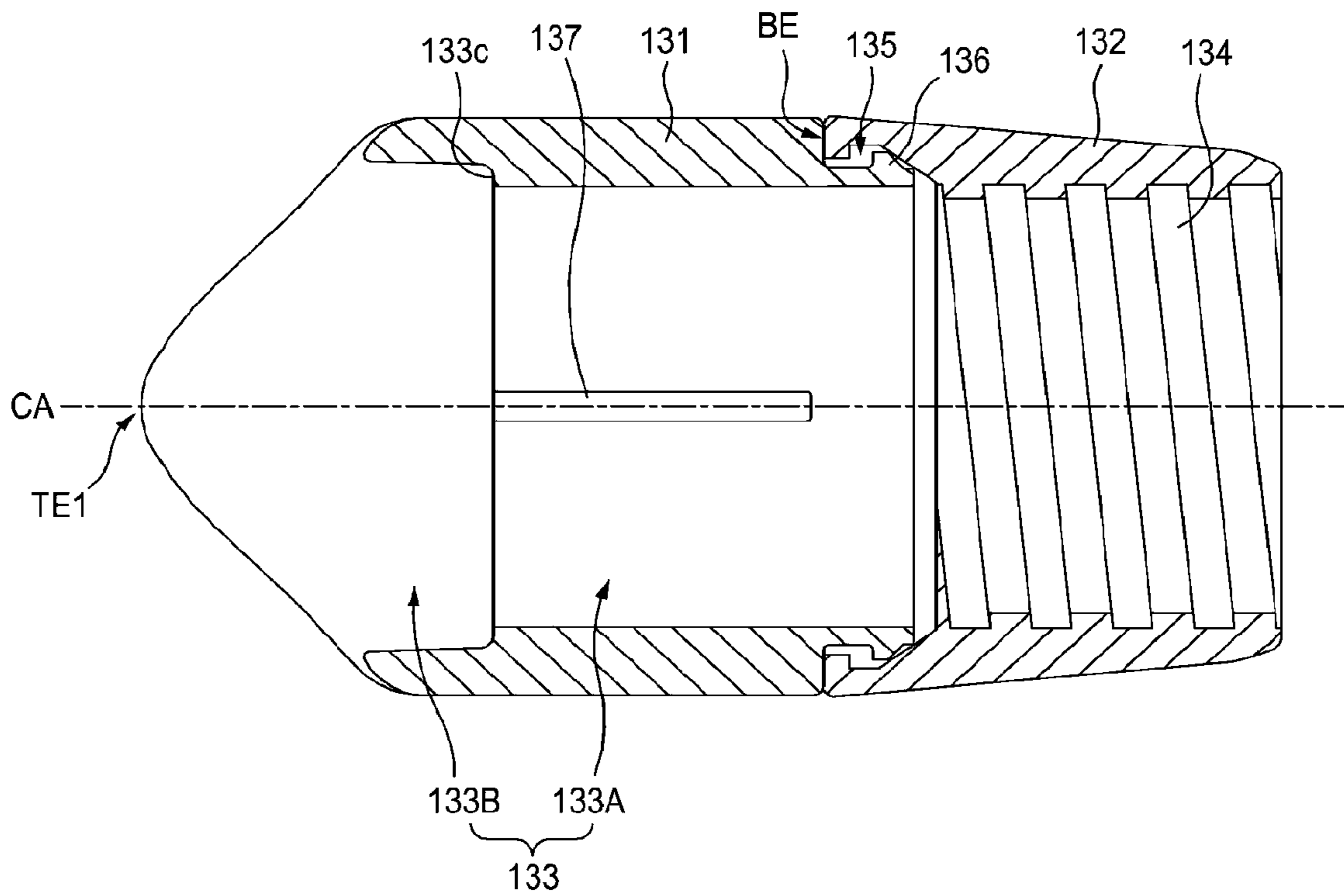


FIG. 8

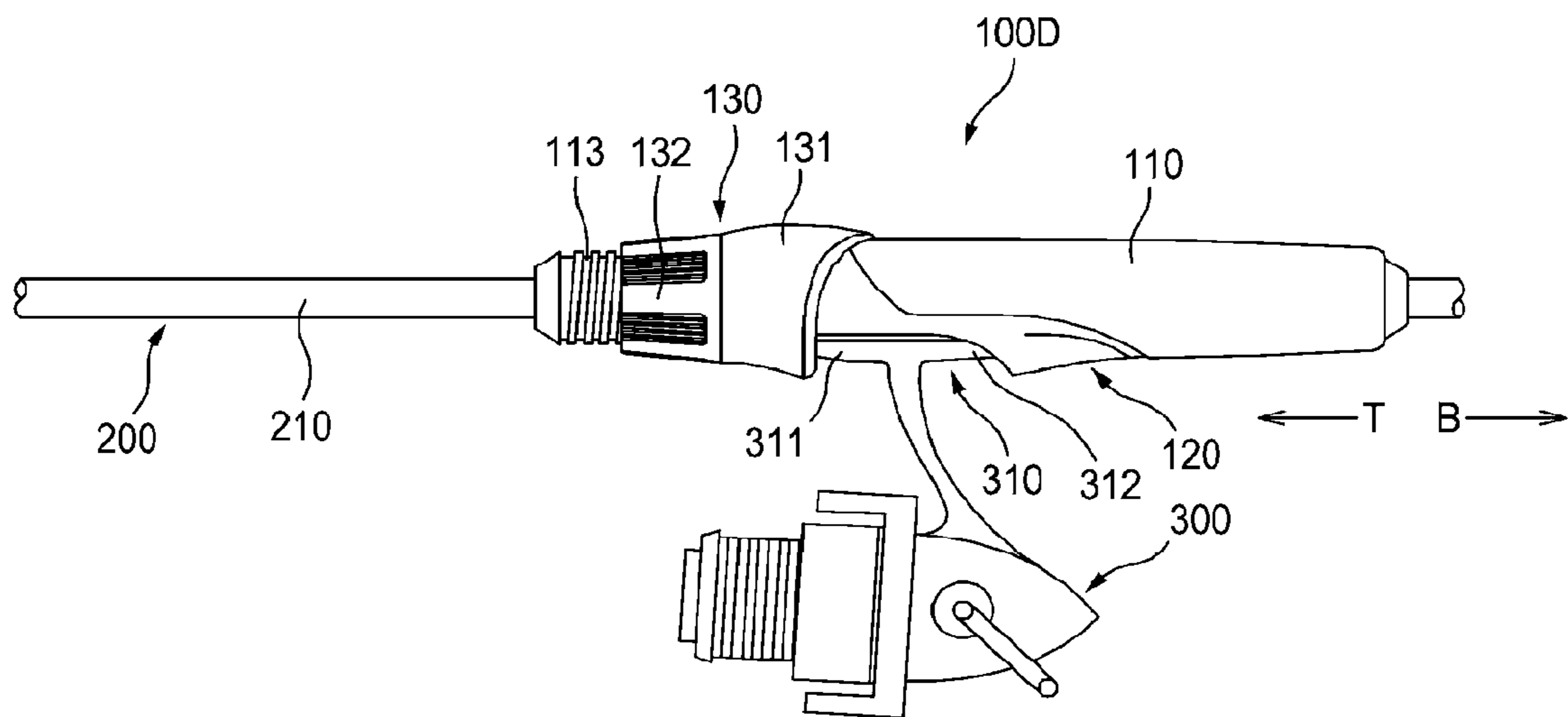


FIG. 9

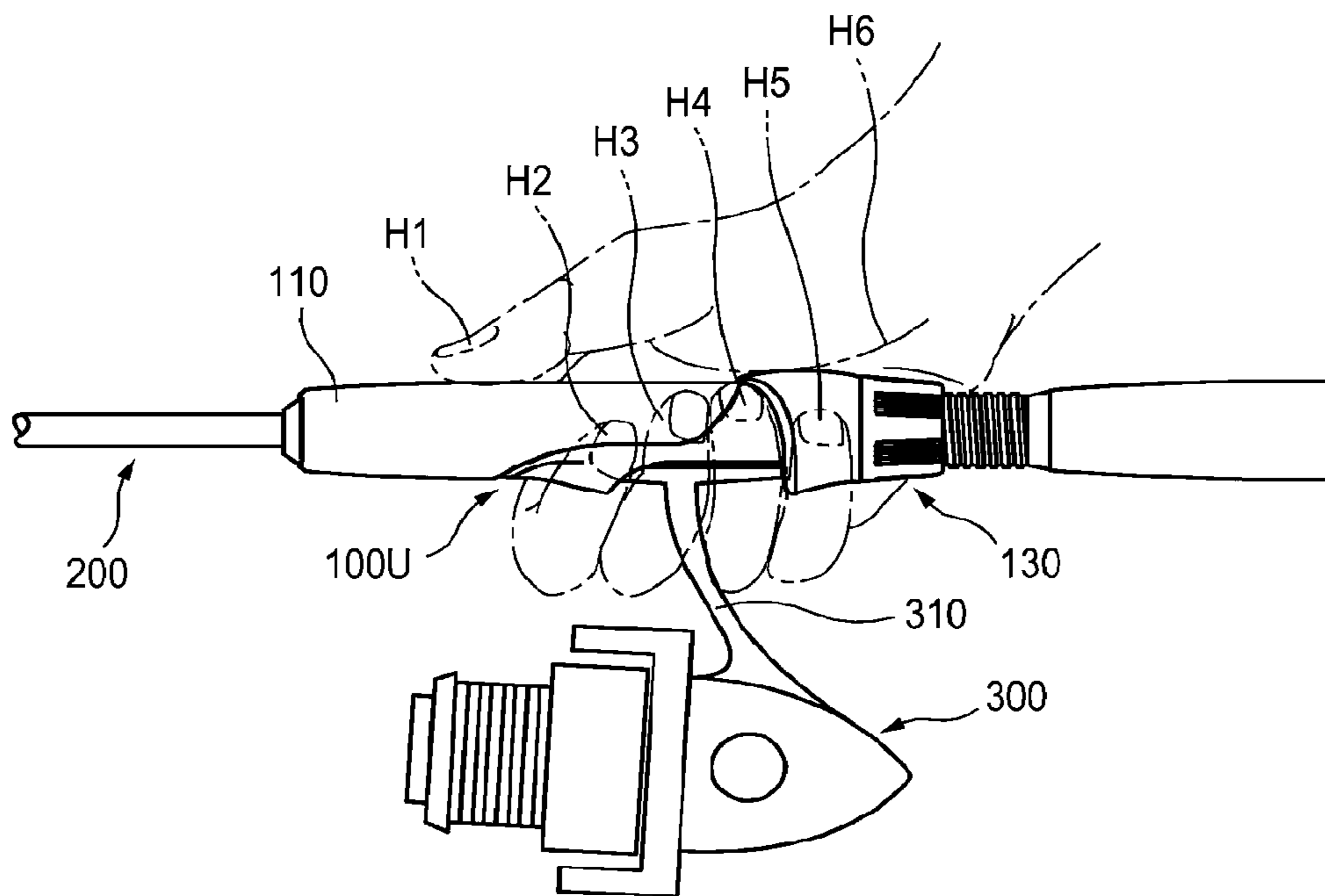


FIG. 10

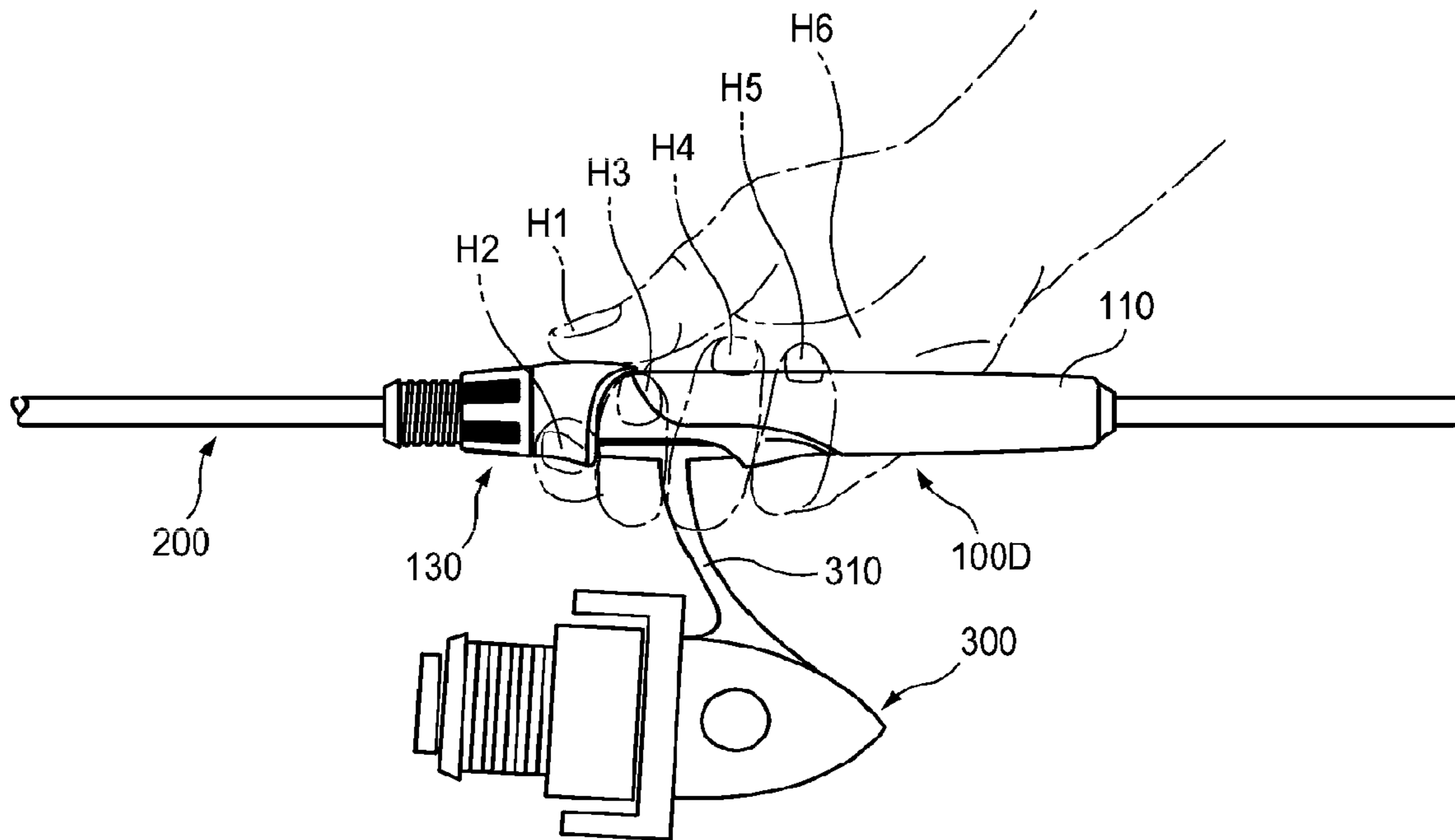


FIG. 11

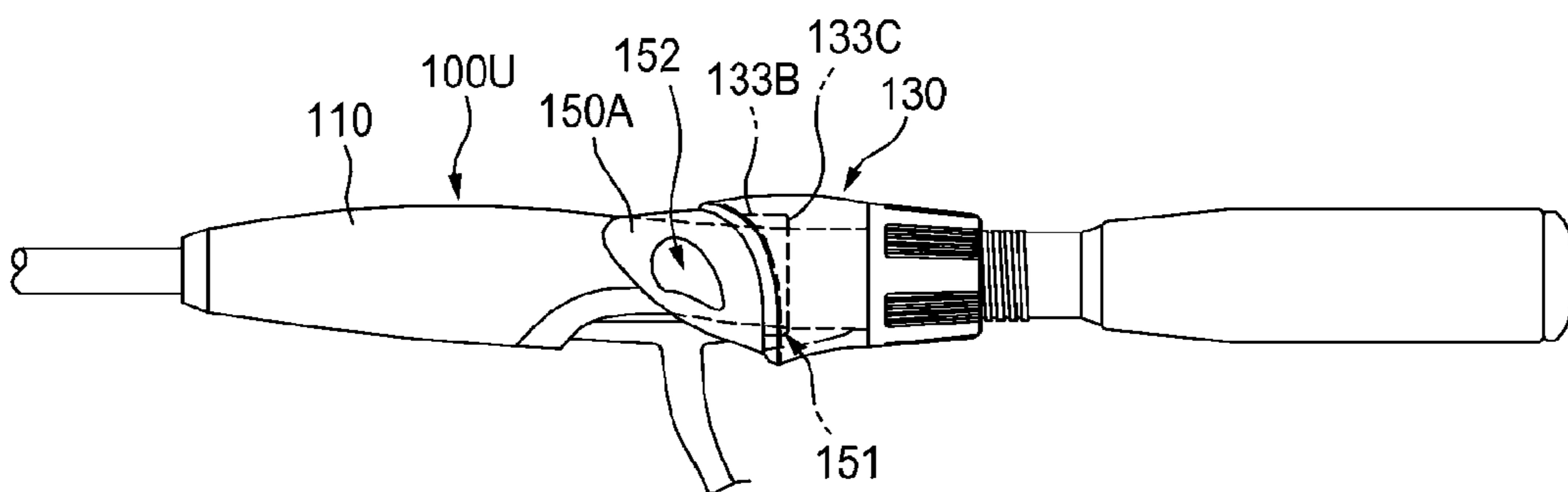


FIG. 12

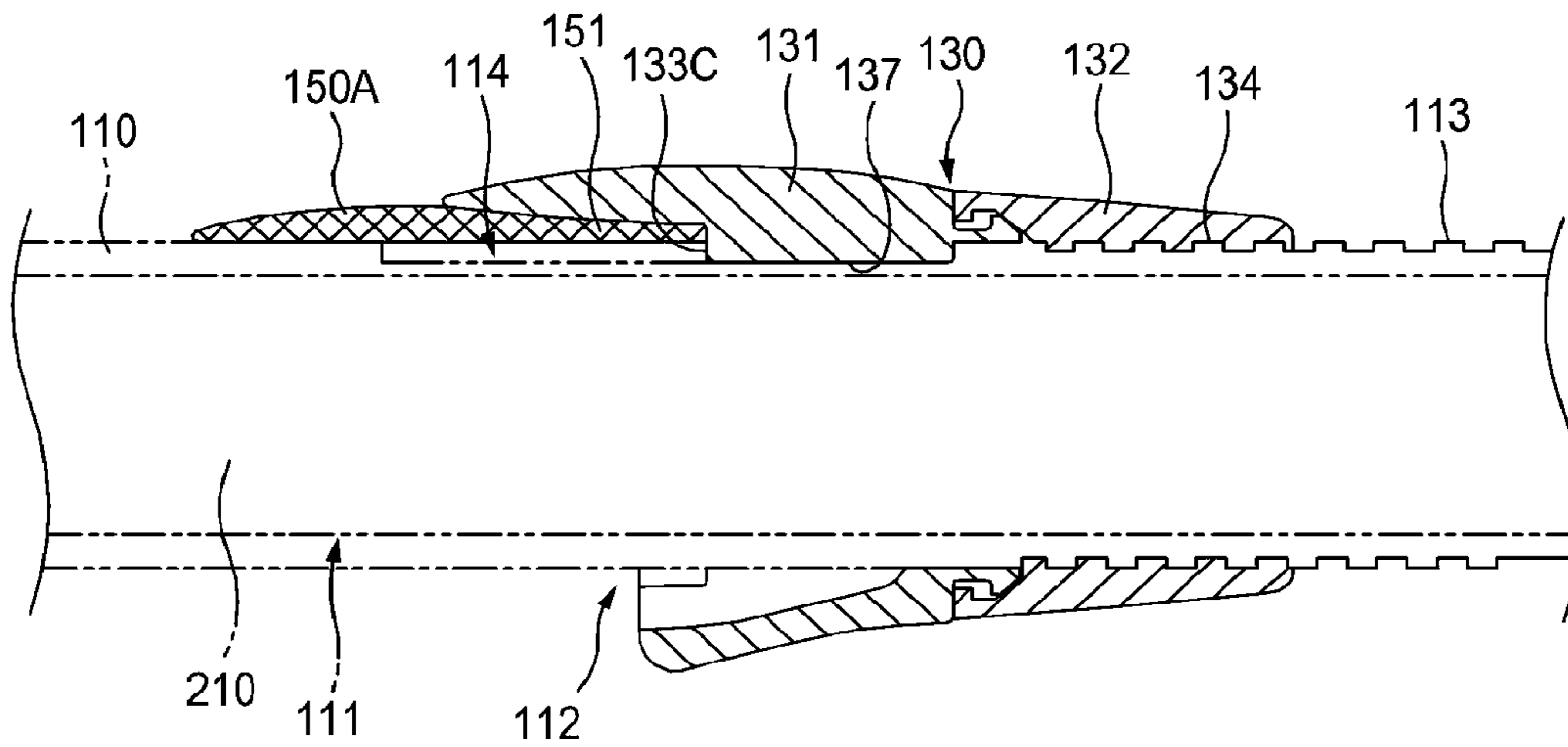
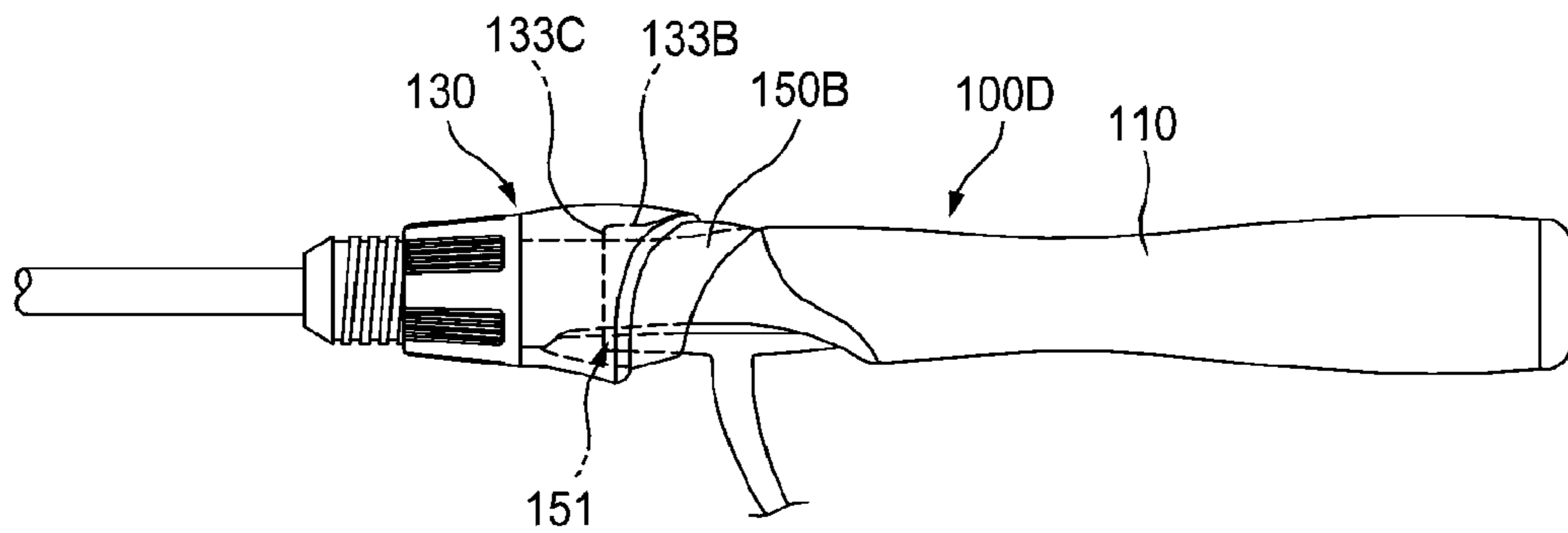


FIG. 13



1

**MOVABLE HOOD FOR REEL SEAT, REEL
SEAT, AND FISHING ROD INCLUDING
SAME**

CROSS-REFERENCE TO RELATED
APPLICATIONS

This application is a 35 U.S.C §371 national stage filing of International Application No. PCT/JP2014/073030, filed on Sep. 2, 2014, which claims the benefit of Korean Patent Application No. 2013-0108609, filed on Sep. 10, 2013 and Korean Patent Application No. 2014-0065032, filed on May 29, 2014, the entire contents of each of which are incorporated by reference herein.

TECHNICAL FIELD

The present disclosure relates to a movable hood for clamping an attachment leg of a reel to a body of a reel seat. Further, the present disclosure relates to a reel seat and a fishing rod including such a movable hood.

BACKGROUND

A reel for a fishing rod such as a spinning reel, a bait casting reel, etc. is mounted to a fishing rod by means of a reel seat. By way of example of a reel seat, there exists a plate-shaped reel seat, which is attached on an outer surface of a fishing rod, or a cylinder-shaped reel seat, through which a fishing rod passes.

For example, as shown in FIGS. 1 and 2, the cylinder-shaped reel seat has a fixed hood 12 and a movable hood 13 for clamping attachment legs 31 of a reel 30 to a body 11 of a reel seat 10. The movable hood 13 has a shape of a ring that is movable along the body 11 of the reel seat. The reel 30 is mounted on the reel seat 10 by clamping one of the attachment legs 31 of the reel to the body 11 through the fixed hood 12, and clamping the other of the attachment legs 31 of the reel to the body 11 through the movable hood 13.

When a user holds a fishing rod 20 with the reel 30 mounted thereto, the user grips the reel seat 10 while positioning the attachment legs 31 of the reel between fingers, and the user's palm and fingers are contacted with an outer surface of the fixed hood 12 or the movable hood 13 and an outer surface of the body 11. When the reel 30 is fixed to the body 11, a gap (for example, a portion indicated by a symbol G in FIG. 1) exists between the body 11 and the movable hood 13 or a stepped portion (for example, a portion indicated by a symbol S in FIG. 2) exists due to an unevenness between the outer surface of the body 11 and the outer surface of the movable hood 13. Thus, the user may feel such irritative and unpleasant feelings if the user touches a protrusion with the user's palm or fingers, and cannot hold the fishing rod 20 with a stable grip feeling. A reel seat which reduces irritative and unpleasant feelings and enhances a grip feeling is required in the art.

Patent Document 1: Japanese Patent Application Publication No. 2009-268416

Patent Document 2: Japanese Patent Registration Publication No. 3053767

SUMMARY

Japanese Patent Application Publication No. 2009-268416 discloses a reel seat which reduces a stepped portion between a body of a reel seat and a movable hood. According to some embodiments of this disclosure, to reduce the

2

stepped portion between the body and the movable hood, the movable hood has a comb-shaped portion, and the body has an engagement portion for engagement with the comb-shaped portion of the movable hood. However, the comb-shaped portion of the movable hood is weak and therefore tends to separate from the engagement portion of the body to create the stepped portion.

Further, Japanese Patent Registration Publication No. 3053767 discloses a reel seat wherein a concave portion is provided in a movable hood. However, the movable hood with the concave portion can be applied to only a reel seat wherein the movable hood is placed toward a tip of a fishing rod. If the movable hood with the concave portion is applied to a reel seat wherein the movable hood is placed toward a butt of a fishing rod, then the concave portion of the movable hood is positioned under a palm and therefore a grip feeling deteriorates.

When considering a motion of violently swing a fishing rod or a motion of shaking a fishing rod, a reel seat must have a good grip feeling such that the user can stably hold the reel seat instead of reducing an unpleasant feeling on the user's palm. However, the reel seat and the movable hood of the prior art do not provide an enhanced grip feeling and the reduction of an unpleasant feeling. Further, the dedicated movable hood is employed to a reel seat, thus restricting the user's choice on a reel seat. As such, the reel seat and the movable hood of the prior art cannot provide the user with broad choices.

Embodiments of the present disclosure are made to solve the aforementioned problems of the prior art. Embodiments of the present disclosure provide a movable hood for a reel seat, which is applied irrespective of the types of a reel seat, and which enhances a grip feeling while reducing an unpleasant feeling on the user's hand.

Further, embodiments of the present disclosure provide a movable hood which allows the user to make broad choices on a reel seat.

Further, embodiments of the present disclosure provide a reel seat having a good grip feeling by means of the aforementioned movable hood, and a fishing rod including such a reel seat.

One aspect of the present disclosure provides a movable hood which is used with a reel seat for mounting a reel to a fishing rod. In an exemplary embodiment, a movable hood for a reel seat includes: a hood portion through which a body of a reel seat passes, and which is movable in a longitudinal direction of the body and clamps an attachment leg of a reel to the body at a lower side; and a nut portion which is connected to the hood portion so as to rotate around the body and is threadedly coupled to an outer peripheral surface of the body at an inner peripheral surface. The hood portion has a base end facing the nut portion and a leading end located opposite the base end. When viewing the hood portion from side, a length of an upper side of the hood portion from the base end to the leading end is longer than a length of the lower side of the hood portion from the base end to the leading end. Further, when viewing the hood portion from the side, an upper contour of the hood portion includes an upward convex curve line.

In an embodiment, a top point of the convex curve line is located from the base end at a distance of 80% or less of the length of the upper side from the base end to the leading end.

In an embodiment, when viewing the hood portion from the side, a lower contour of the hood portion includes an upward concave curve line.

3

In an embodiment, when viewing the hood portion from the side, a contour of the leading end between the upper side and the lower side includes a curve line concave toward the base end.

In an embodiment, the hood portion includes first and second bores through which the body of the reel seat passes. The first bore extends from the base end toward the leading end. The second bore has a diameter greater than a diameter of the first bore and extends from the first bore toward the leading end. When viewing the hood portion from front, a step portion is formed between the first bore and the second bore.

In an embodiment, a depth from the leading end to the step portion is in a range of 30% to 70% of the length of the upper side from the base end to the leading end.

In an embodiment, the movable hood for a reel seat further includes an auxiliary hood, at least a portion of which is fitted in between the outer peripheral surface of the body of the reel seat and an inner peripheral surface of the hood portion. The auxiliary hood has an insertion portion which is fitted in between the body of the reel seat and the second bore. Further, in an embodiment, the auxiliary hood has an opening or recess at a lateral side.

In an embodiment, the length of the upper side from the base end to the leading end is 40 mm or less.

Another aspect of the present disclosure is related to a reel seat. In an exemplary embodiment, a reel seat includes: a body through which a portion of a fishing rod passes in a longitudinal direction, and which includes a seat portion, on which a pair of attachment legs of a reel are seated, at a lower side, and a male thread in an outer peripheral surface of one end portion; the movable hood according to above-described embodiments, which is located at one of both ends in the longitudinal direction of the body and clamps one of the pair of attachment legs to the seat portion of the body; and a fixed hood which is located at the body opposite the movable hood and clamps the other of the pair of the attachment legs to the seat portion of the body. The nut portion of the movable hood is threadedly coupled to the male thread at an inner peripheral surface of the nut portion.

A further aspect of the present disclosure is related to a fishing rod. The fishing rod includes the movable hood for a reel seat according to the above-described embodiments or the above-described reel seat.

According to the movable hood according to the embodiments, the length of the upper side of the hood portion is longer than the length of the lower side of the hood portion, which is opposite to the upper side and clamps the attachment leg of the reel, and the upper contour has the upward convex curve line. Thus, the movable hood with the enhanced grip feeling can be applied to all of the rear and front ends of the reel seat. Where the movable hood according to an embodiment is applied to the rear end of the reel seat, the gap is eliminated between the movable hood and the user's palm. Where the movable hood according to an embodiment is applied to the front end of the reel seat, the user can strongly contact the user's thumb finger with the upper side of the hood portion. Further, since the leading end contour and the lower contour of the hood portion are a concave curve line, the user's fingers can be guided to a suitable position when the user's fingers are in contact with the hood portion. As such, the reel seat according to the embodiments accomplishes a reel seat which reduces an unpleasant feeling and enhances a grip feeling. Further, due to the step portion formed inside the hood portion as well as the auxiliary hood fitted in between the body of the reel seat

4

and the hood portion, a grip feeling of the reel seat can be maintained and the user's choices on a reel seat can be broadened.

BRIEF DESCRIPTION OF THE DRAWINGS

FIG. 1 is a side view showing a movable hood of a prior art which fixes a spinning reel to a reel seat.

FIG. 2 is a side view showing another movable hood of a prior art which fixes a spinning reel to a reel seat.

FIG. 3 is a side view showing that a movable hood according to an embodiment of the present disclosure is coupled to a rear end portion of a reel seat and a reel is fixed to a reel seat through the movable hood.

FIG. 4 is a side view of the movable hood shown in FIG. 3.

FIG. 5 is a front view of the movable hood shown in FIG. 3.

FIG. 6 is a sectional view taken along the line VI-VI of FIG. 5.

FIG. 7 is a sectional view taken along the line VII-VII of FIG. 5.

FIG. 8 is a side view showing that a movable hood according to an embodiment of the present disclosure is coupled to a front end portion of a reel seat and a reel is fixed to a reel seat through the movable hood.

FIG. 9 shows a usage example of the reel seat shown in FIG. 3.

FIG. 10 shows a usage example of the reel seat shown in FIG. 8.

FIG. 11 is a side view showing a movable hood according to an embodiment of the present disclosure, to which an auxiliary hood is coupled.

FIG. 12 is a partial longitudinal sectional view showing a movable hood and an auxiliary hood.

FIG. 13 is a side view showing a movable hood according to an embodiment of the present disclosure, to which an auxiliary hood of another example is coupled.

DETAILED DESCRIPTION

Descriptions are made as to embodiments of a movable hood for a reel seat according to the present disclosure and embodiments of a reel seat and a fishing rod including the same according to the present disclosure with reference to FIGS. 3 to 13. In FIGS. 3 to 13, like reference numerals denote like or corresponding elements or parts.

The directional term "frontward," "front" or the like as used herein means a direction directed toward a tip of a fishing rod (e.g. a direction indicated by an arrow T in FIG. 3), while the directional term "rearward," "rear" or the like means a direction directed toward a butt of the fishing rod (e.g. a direction indicated by an arrow B in FIG. 3). Further, as used herein, the directional term "downward," "lower" or the like is based on a direction in which a reel is mounted on a reel seat, while the directional term "upward," "upper" or the like means a direction opposite to the downward or lower direction.

Further, the term "contour" as used herein refers to a line that is seen at the outermost edge of the element or part constituting a movable hood in the front view or side view of the movable hood. For example, an "upper contour" refers to a line that is located at the uppermost edge of the element or part when viewing the movable hood from the side, and a "lower contour" refers to a line that is located at the lowermost edge of the element or part when viewing the movable hood from the side.

5

A reel seat 100U according to an embodiment shown in FIG. 3 is used for mounting a spinning reel 300 (hereinafter, briefly referred to as a "reel") to a fishing rod 200. A reel which can be mounted on reel seats according to embodiments is not limited to the spinning reel shown in FIG. 3.

The reel 300 includes a spool around which a fishing line is wound, a handle for rotating the spool, etc. The reel 300 has an attachment leg 310 for attachment to the reel seat 100U. The attachment leg 310 has an approximately T-like shape. The attachment leg 310 includes a front attachment leg 311 and a rear attachment leg 312, which linearly extend, at a leading end of the attachment leg 310. The front attachment leg 311 is shaped such that its cross-sectional area gradually decreases toward its front end, and the rear attachment leg 312 is shaped such that its cross-sectional area gradually decreases toward its rear end. Thus, the front attachment leg 311 has, at its front end portion, an inclined surface 313 which is inclined toward the front end, and the rear attachment leg 312 has, at its rear end portion, an inclined surface 314 which is inclined toward the rear end. The front end portion of the front attachment leg 311 and the rear end portion of the rear attachment leg 312 are inserted to front and rear insertion cavities of the reel seat respectively, which will be described below.

The reel seat 100U includes a body 110, a fixed hood 120 and a movable hood 130. The movable hood 130 is located at one of both ends of the body 110 in a longitudinal direction of the body and is movable in the longitudinal direction of the body 110. The fixed hood 120 is located at the body 110 opposite the movable hood 130. The movable hood 130 clamps one of a pair of attachment legs 310 of the reel 300 to the body 110, while the fixed hood 120 clamps the other of the pair of attachment legs 310 of the reel 300 to the body 110.

The reel seat 100U shown in FIG. 3 is a reel seat of a so-called up lock type, wherein the movable hood 130 is located at the rear end of the body 110 (toward the butt of a fishing rod). In the reel seat of an up lock type, the front attachment leg 311 of the reel 300 is clamped by the fixed hood 120 and the rear attachment leg 312 of the reel 300 is clamped by the movable hood 130.

The body 110, the fixed hood 120 and the movable hood 130 of the reel seat 100U may be made of a resin material or a metallic material. In this embodiment, the entire movable hood 130 of the reel seat 100U is made of a resin material, or at least a portion of the movable hood 130, which clamps the attachment legs 310 of the reel, is made of a resin material.

The body 110 of the reel seat 100U has an approximately cylindrical shape through which a bore 111 (see FIG. 12) extends in a longitudinal direction. A blank 210 of the fishing rod 200 is fitted to the bore 111 of the body 110 and extends through the body 110. Further, by way of example, the body 110 of the reel seat 100U may be fixed to the fishing rod 200 by gluing.

The body 110 has a seat portion 112 (see FIG. 12) for seating the attachment legs 310 of the reel 300 thereon. In this embodiment, said seat portion 112 is formed at a lower side of the body 110, and the attachment legs 310 of the seat portion 112 are seated on the seat portion 112.

The body 110 has, at its one end portion, a male thread 113 formed along an outer peripheral surface of the body. In the example shown in FIG. 3, the male thread 113 is formed at the rear end of the body 110. The male thread 113 is threadedly coupled to a female thread formed in a nut portion 132 of the movable hood 130, which will be described below.

6

Further, the body 110 has, in its outer peripheral surface, a guide groove 114 (see FIG. 12) for guiding a movement of the movable hood 130 in the longitudinal direction of the body 110. The guide groove 114 extends on an upper side of the body 110 along the longitudinal direction of the body 110 by a predetermined length. In some embodiments, the guide groove 114 of the body 110 extends along the longitudinal direction of the body 110 on a portion other than the upper side of the body 110.

In this embodiment, a grip portion 140 is complementarily coupled to the rear end of the body 110. The grip portion 140 has a cylindrical shape which is coaxial with a bore 111 of the body 110. A blank 210 of the fishing rod 200 is coupled to a central bore of the grip portion by press fitting.

In this embodiment, the fixed hood 120 is integrated with the body 110. The fixed hood 120 has a cover portion 122 which is formed to cover the seat portion 112. The cover portion 122 is shaped such that a downward height gradually increases toward the rear end. Thus, a front insertion cavity 121, to which one of the attachment legs 310 of the reel 300 is inserted, is defined between the seat portion 112 of the body 110 and the fixed hood 120. A cross-sectional shape of the front insertion cavity 121 is an approximately circular arc and its vertical width gradually decreases toward the front of the body 110. Therefore, an inside surface of the cover portion 122 of the fixed hood 120 is in contact with the inclined surface 313 of the front end portion of the front attachment leg 311. In some embodiment, the fixed hood 120 may be manufactured as an individual part and may be attached to the body 110.

The movable hood 130 used for the reel seat 100U is described with reference to FIGS. 4 to 7.

The movable hood 130 is formed in a shape of a ring. The body 110 of the reel seat 100U is fitted to the movable hood 130 and passes through the movable hood 130. The movable hood 130 includes a hood portion 131, which is linearly movable along the longitudinal direction of the body 110 but does not move in a circumferential direction of the body 110, and a nut portion 132, which is connected to the hood portion 131 so as to rotate around the body 110 and pushes or pulls the hood portion 131 along the longitudinal direction of the body 110. Due to a force with which the nut portion 132 pushes the hood portion 131 in the longitudinal direction of the body 110, the hood portion 131 presses the rear attachment leg 312 of the reel 300 to the body 110 at a lower side of the hood portion and clamps the rear attachment leg 312 to the body 110.

The hood portion 131 and the nut portion 132 are formed in an approximate ring shape and have a bore 133 coaxial with a central axis CA of the body 110 therein. The body 110 of the reel seat 100U passes through the bore 133. The nut portion 132 is threadedly coupled to the male thread 113 of the body 110 at the female thread 134 formed in an inner peripheral surface of the nut portion, and is moved frontward or rearward along the body 110 through screw motion. The hood portion 131 is pushed toward the fixed hood 120 or pulled away from the fixed hood 120 by the frontward or rearward movement of the nut portion 132.

The nut portion 132 has, in an inner peripheral surface of the end facing the hood portion 131, an engagement groove 135 for connection to the hood portion 131. The engagement groove 135 is formed in a circumferential direction of the inner peripheral surface of the nut portion 132. Further, the hood portion 131 has, at a base end BE facing the nut portion 132, a hook-shaped engagement protrusion 136 which is engaged with the engagement groove 135 of the nut portion

132. The engagement protrusion 136 extends at the base end BE of the hood portion 131 intermittently or continuously in the circumferential direction of the hood portion. The engagement protrusion 136 of the hood portion 131 is engaged with the engagement groove 135 of the nut portion 132, connecting the nut portion 132 to the hood portion 131 such that the nut portion 132 is rotatable around the central axis CA of the body 110. In some embodiments, the hood portion 131 may have the engagement groove 135, and the nut portion 132 may have the engagement protrusion 136.

Since the female thread 134 of the nut portion 132 is threadedly coupled to the male thread 113 of the body 110, if the nut portion 132 is rotated around the body 110 in one direction or a direction opposite to said one direction, then the nut portion 132 does a screw motion by the interaction between the male thread 113 and the female thread 134 and thus can be moved along the longitudinal direction of the body 110 while being rotated. By way of example, if the nut portion 132 is rotated in one direction so as to be moved toward the front end of the body 110 (toward the fixed hood 120), then, through the male thread 113 of the body 110 and the female thread 134 of the nut portion 132 which are threadedly coupled to each other, the nut portion 132 is moved toward the front end of the body 110 while being rotated around the body 110. Then, a front end surface of the nut portion 132 is contacted with the base end BE of the hood portion 131 and the nut portion 132 pushes the hood portion 131 toward the front end of the body 110. Due to the pushing force of the nut portion 132, the hood portion 131 presses the rear attachment leg 312 of the reel 300 against the seat portion 112 of the body 110 at a lower inner surface of the hood portion, and the hood portion 131 clamps the rear attachment leg 312 to the body 110. Further, if the nut portion 132 is rotated in a direction opposite to said one direction so as to be moved toward the rear end of the body 110, then the nut portion 132 is moved toward the rear end of the body 110 while being rotated around the body 110. Then, the engagement groove 135 of the nut portion 132 catches the engagement protrusion 136 and the nut portion 132 pulls the hood portion 131 toward the rear end of the body 110.

As to the above-described frontward or rearward movement of the hood portion 131, the hood portion 131 is linearly moved toward the front end or the rear end of the body 110 along the longitudinal direction of the body 110 without being rotated around the central axis CA of the body 110. Referring to FIGS. 5 and 6, to guide the linear movement of the hood portion 131, the movable hood 130 includes a guide projection 137 which projects from the upper inner surface of the hood portion 131 and is fitted to the guide groove 114 of the body 110. In some embodiments, the guide groove 114 may be provided at a portion of the body 110 other than the upper side of the body, and the guide projection 137 may project from the inner peripheral surface of the hood portion 131 corresponding to such a portion.

A lower half of the hood portion 131 protrudes downward more and more toward the front end, forming a cover portion 138 covering the rear attachment leg 312. Thus, a rear insertion cavity 139, to which the rear attachment leg 312 of the reel 300 is inserted, is defined between the cover portion 138 and the seat portion 112 of the body 110. The hood portion 131 presses the inclined surface 314 of the rear attachment leg 312 against the seat portion 112 at an inside surface of the cover portion 138.

The hood portion 131 has the base end BE which faces the nut portion 132, and a leading end TE which is located opposite the base end BE. When viewing the hood portion

131 from the side, a length L1 of the upper side of the hood portion 131 from the base end BE to a leading end TE1 is longer than a length L2 of the lower side of the hood portion 131 from the base end BE to a leading end TE2. That is, an upper half of the hood portion 131 further protrudes toward a leading end thereof than a lower half of the hood portion. Therefore, the hood portion 131 has the upper side longer than the lower side which clamps the rear attachment leg 312 of the reel. By way of example, the length L1 of the upper side of the hood portion 131 is long enough to allow two fingers to lie on the upper side, and is 40 mm or less. If the length L1 of the upper side of the hood portion 131 exceeds 40 mm, then it is difficult to reduce the weight of the movable hood 130 and the strength of the hood portion 131 becomes weak due to the length excessively greater than the thickness. Further, when viewing the hood portion 131 from the side, an upper contour CL1 of the hood portion 131 includes an upward convex curve line. That is, when viewing the hood portion from the side, an upper outer surface of the hood portion 131 has a surface which is round and convex upward. The hood portion 131, the upper side of which is roundly convex, can contact a concavity which is formed in the user's palm when the user grips the reel seat 100U, thus eliminating a gap between the movable hood 130 and the user's palm. Further, in a reel seat 100D of a so-called down lock type wherein the movable hood 130 is located at the front end of the body 110 (toward the tip of the fishing rod) (see FIG. 8), the convex curve surface of the upper side of the hood portion 131 functions as a raised portion which the user's thumb presses. Therefore, the user can grip the reel seat while applying a strong force to the convex curve surface of the upper side of the hood portion 131.

When viewing the hood portion 131 from the side, a top point TP of the convex curve line, which the upper contour CL1 of the hood portion 131 has, is spaced away from the base end BE at a distance of 80% or less of the length L1 of the upper side of the hood portion 131. That is, when assuming a length from the base end BE to the top point TP as L3, $(L3/L1) \leq 0.8$. Where the top point TP is not located from the base end BE at a distance of 80% or less (i.e., where the top point TP is located from the base end BE at a distance exceeding 80% of the length L1 of the upper side), in the convex curve line which the upper contour CL1 of the upper side of the hood portion 131 has, a front side of the convex curve line located frontward from the top point TP becomes gentler than a rear side of the convex curve line located rearward from the top point TP. In such a case, when the user grips the fishing rod, the location of the convex portion of the hood portion 131 does not correspond to the concavity formed in the user's palm. If so, a holding feeling deteriorates. In addition, the convex curve line from the top point TP to the leading end TE1 has a steep slope and therefore makes a stepped shape toward the body 110. Then, the user can feel irritative and unpleasant feelings, and cannot hold the fishing rod with a stable grip feeling.

When viewing the hood portion 131 from the side, a contour CL3 between the leading end TE1 of the upper side of the hood portion 131 and the leading end TE2 of the lower side of the hood portion 131 includes a concave curve line which is concave toward the base end BE. Said concave curve line presented by the contour CL3 may gently curve from the leading end TE1 of the upper side of the hood portion 131 toward the leading end TE2 of the lower side, or may steeply curve and then gently curve from the leading end TE1 of the upper side of the hood portion 131 toward the leading end TE2 of the lower side.

When viewing the hood portion **131** from the side, a contour **CL2** of the lower side of the hood portion **131** (i.e., a lower contour of the cover portion **138**) includes an upward concave curve line. Thus, the user can grip the lower side of the hood portion **131** (the outer surface of the cover portion **138**) by the user's fingers without an unpleasant feeling.

Further, a thickness of a leading edge portion **E**, which presents the contour **CL3** between the upper and lower sides of the hood portion **131**, gradually decreases away from the base end **BE**. Thus, such a thickness of the hood portion **131** can prevent a step portion from being created between the hood portion **131** and the body **110**.

The bore **133** of the hood portion **131**, through which the body **110** of the reel seat **100U** passes, has a first bore **133A** and a second bore **133B**. The first bore **133A** extends from the base end **BE** toward the leading end **TE**. Further, the second bore **133B** has a diameter **D2** greater than a diameter **D1** of the first bore **133A** and extends from the first bore **133A** toward the leading end **TE**. Thus, when viewing the hood portion **131** from the front, a circular arc-shaped step portion **133C** (see FIG. 5) is formed between the first bore **133A** and the second bore **133B**. A depth **L4** from the leading end **TE1** of the upper side of the hood portion **131** to the step portion **133C** is in the range of 30% to 70% of the length **L1** of the upper side of the hood portion **131**. Where the depth **L4** of the step portion **133C** is less than 30% of the length **L1** of the upper side of the hood portion **131**, a force of the hood portion **131** retaining an auxiliary hood **150A**, **150B** (see FIGS. 11 to 13) is weakened and the auxiliary hood **150A**, **150B** tends to escape due to friction on the user's palm when the user swings the fishing rod. Further, where the depth **L4** of the step portion **133C** exceeds 70% of the length **L1** of the upper side of the hood portion **131**, the hood portion **131** becomes thin in the vicinity of the base end **BE** and thus a portion of the hood portion which is to be coupled to the nut portion **132** is not strong and can be broken.

Since the inside of the hood portion **131** is formed with two bores and the step portion **133C** is formed between the two bores, the hood portion **131** can easily receive the auxiliary hood which will be described below. Further, since the hood portion **131** has the second bore **133B** having a greater diameter via the step portion **133C**, the movable hood **130** according to the embodiment can be mounted to a reel seat which has a step portion at a portion of a body to which a movable hold is installed, while covering such a step portion.

In the above-described hood portion **131**, an overall length of the hood portion may be defined as the length **L1** of the upper side of the hood portion **131**. Further, an overall height of the hood portion **131** may be defined as a length between the top point **TP** of the upper side of the hood portion **131** and a lowermost portion of the cover portion **138**. In order for the hood portion **131** to be strong enough to clamp the attachment leg of the reel **300** without increasing its weight and to have the above-described contours **CL1**, **CL2** and **CL3**, the overall length of the hood portion **131** may be determined in the range of 2/3 to 5/2 of the diameter **D1** of the first bore **133A** and the overall height of the hood portion **131** may be determined to be up to 2.5 times of the diameter **D1** of the first bore **133A**.

FIG. 8 shows that the movable hood **130** according to the embodiment is coupled to the reel seat of a down lock type. In the reel seat **100D** of a down lock type, the movable hood **130** is located at the front end of the reel seat **100D**. The front attachment leg **311** of the reel **300** is clamped by the

movable hood **130**, while the rear attachment leg **312** of the reel **300** is clamped by the fixed hood **120**. The reel seat **100D** of a down lock type has a configuration similar to that of the reel seat **100U** of an up lock type except that the position of the movable hood **130** and the position of the male thread **113** are reverse to those of the reel seat **100U** of an up lock type.

The grip feeling which the reel seat **100U**, **100D** including the movable hood **130** according to the embodiment provides is described with reference to FIGS. 9 and 10.

FIG. 9 shows an example of using the reel seat **100U** of an up lock type, and FIG. 10 shows an example of using the reel seat **100D** of a down lock type. When the user grips the reel seat **100U**, **100D**, the user often grips the reel seat **100U**, **100D** with the attachment leg **310** inserted in between a middle finger **H3** and a ring finger **H4**. In this embodiment, the user lightly holds the reel seat **100U**, **100D** with the middle finger **H3** and holds the reel seat **100U**, **100D** with the ring finger **H4** and a pinkie finger **H5**. Further, a thumb finger **H1** presses the upper surface of the body **110** (see FIG. 9) or presses the upper surface of the hood portion **131** of the movable hood **130** (see FIG. 10). A palm **H6** is located on the hood portion **131** (see FIG. 9) or is contacted with the upper surface of the body **110** (see FIG. 10).

In the usage example of the reel seat **100U** of an up lock type shown in FIG. 9, the palm **H6** is contacted with the upper surface of the hood portion **131** of the movable hood **130** and the pinkie finger **H5** is contacted with the lower surface of the hood portion **131**. Further, the ring finger **H4** is located at the leading end **TE** of the hood portion **131**. The upward convex curve surface of the upper side of the hood portion **131** is contacted with the palm **H6**, thus eliminating the gap between the hood portion **131** and the palm **H6**. Accordingly, the user can firmly grip the reel seat **100U**. Further, the ring finger **H4** is positioned between the attachment leg **310** of the reel and the leading end **TE** of the hood portion **131** along the contour **CL3** of the leading end **TE** of the hood portion **131** which is concave toward the nut portion **132**. Thus, the ring finger **H4** is fixed, and the reel seat **100U** cannot move in the user's hand when the user strongly swings the fishing rod **200**. Further, since the pinkie finger **H5** is caught by the upward concave contour **CL2** of the lower side of the hood portion **131**, the user can grip the reel seat **100U** with a stable and enhanced grip feeling.

In the usage example of the reel seat **100D** of a down lock type shown in FIG. 10, the thumb finger **H1** is in contact with the contour **CL1** of the hood portion **131**, which is an upward convex curve line, and an index finger **H2** is in contact with the contour **CL2** of the lower side of the hood portion **131**, which is an upward concave curve line. Further, the middle finger **H3** is positioned along the contour **CL3** of the hood portion **131** which is concave toward the nut portion **132**. Since the thumb finger **H1** is in contact with the convex curve surface of the upper side of the hood portion **131**, the user can strengthen the pressing force of the thumb finger **H1**, and therefore the user can strongly swing down the fishing rod **200**. Further, since the index finger **H2** is caught by the upward concave contour **CL2** of the lower side of the hood portion **131**, the user can grip the reel seat **100D** with a stable and enhanced grip feeling and can strongly swing up the fishing rod **200**. Further, since the middle finger **H3** is positioned along the contour **CL3** of the leading end **TE** of the hood portion **131** which is concave toward the nut portion **132**, the middle finger **H3** is fixed, and the reel seat **100U** cannot move in the user's hand when the user strongly swings the fishing rod **200**. As described above, the movable hood **130** according to the embodiment is applied to both the

11

reel seat **100U** of an up lock type and the reel seat **100D** of a down lock type and enhances a grip feeling and a holding feeling while reducing an unpleasant feeling applied to the user's hand.

FIGS. **11** to **13** show an auxiliary hood which is fitted to the movable hood.

To assist the user's various hand shapes, various positions of fingers, etc. and to more enhance a grip feeling, the movable hood **130** according to the embodiment includes an auxiliary hood **150A**, **150B** which is interposed between the body **110** of the reel seat and the hood portion **131**. Through the auxiliary hood **150A**, **150B**, the user's fingers can be guided to the body **110** of the reel seat when the user grips the reel seat **100U**, **100D**.

Referring to FIGS. **11** to **13**, the auxiliary hood **150A**, **150B** has a ring shape so as to surround the circumference of the body **110**. In such a case, an inner diameter of the auxiliary hood **150A**, **150B** has a proper size to receive the body **110** and the front attachment leg **311** or the rear attachment leg **312** of the reel therein. The auxiliary hood **150A**, **150B** may have a C-shaped cross-sectional shape so as to partially cover the body **110**. The auxiliary hood **150A**, **150B** is made of a material from which the user can feel a friction feeling and a cushion feeling. By way of example, the auxiliary hood **150A**, **150B** may be made of a rubber material which has a superior elasticity such that the auxiliary hood can be closely contacted with the body **110**. Further, the surface of the auxiliary hood **150A**, **150B** may be embossed so as to provide a special grip feeling.

A portion of the auxiliary hood **150A**, **150B** is fitted in between the outer peripheral surface of the body **110** of the reel seat **100U**, **100D** and the inner peripheral surface of the hood portion **131** of the movable hood **130**. That is, the auxiliary hood **150A**, **150B** has an insertion portion **151** which is fitted in between the second bore **133B** of the hood portion **131** and the outer peripheral surface of the body **110** of the reel seat. The insertion portion **151** of the auxiliary hood **150A**, **150B** are also formed in a ring shape. The insertion portion **151** is in contact with the step portion **133C** of the hood portion **131** at its leading end when the auxiliary hood **150A** or **150B** is fitted to the hood portion **131**. When the auxiliary hood **150A**, **150B** is inserted to the hood portion **131**, the step portion **133C** of the hood portion **131** functions as a stopper against the insertion portion **151**. Thus, the auxiliary hood **150A**, **150B** can be fixed between the hood portion **131** and the body **110** at a predetermined position. Further, as shown in FIG. **11**, the auxiliary hood **150A** may have an opening or recess **152** at its lateral side. For example, an end of the user's middle finger **H3** can be positioned at the opening or recess **152**, thus enhancing a grip force.

The auxiliary hood **150A**, **150B** is interposed between the hood portion **131** of the movable hood **130** and the body **110** of the reel seat **100U**, **100D**. Thus, if the auxiliary hood **150A**, **150B** is applied to a reel seat wherein the aforementioned stepped portion or gap exists between a body and a movable hood, then such stepped portion or gap can be filled. Further, since the user's fingers can be guided along a contour of the auxiliary hood **150A**, **150B**, the user can suitably change a grip style in accordance with the user's hand size or gripping force and can grip the reel seat **100U**, **100D** with a good grip feeling. As such, by coupling the auxiliary hood **150A**, **150B** to the movable hood **130**, the user can make broad choices on reel seats to which the movable hood **130** is employed. Further, makers can accomplish their own movable hoods and reel seats through the auxiliary hood **150A**, **150B**.

12

The present disclosure described heretofore should not be limited to the above-described embodiments and the accompanying drawings. It will be apparent to those of ordinary skill in the technical field to which the present disclosure pertains, that various substitutions, modifications and alterations may be made without departing from the technical idea of the present disclosure.

DESCRIPTION OF REFERENCE SYMBOLS

100U, **100D** reel seat, **110** body, **111** bore, **112** seat portion, **113** male thread, **114** guide groove, **120** fixed hood, **121** front insertion cavity, **122** cover portion, **130** movable hood, **131** hood portion, **132** nut portion, **133** bore, **133A** first bore, **133B** second bore, **133C** step portion, **134** female thread, **135** engagement groove, **136** engagement protrusion, **137** guide projection, **138** cover portion, **139** rear insertion cavity, **150A**, **150B** auxiliary hood, **151** insertion portion, **152** recess, **200** fishing rod, **300** reel, **310** attachment leg of reel, **BE** base end of hood portion, **TE** leading end of hood portion, **CL1** upper contour, **CL2** lower contour, **CL3** leading end contour

What is claimed is:

1. A movable hood for a reel seat, comprising:

a hood portion through which a body of the reel seat passes, the hood portion being movable in a longitudinal direction of the body and clamping an attachment leg of a reel to the body at a lower side; and

a nut portion connected to the hood portion so as to rotate around the body, the nut portion being threadedly coupled to an outer peripheral surface of the body at an inner peripheral surface,

wherein the hood portion has a base end facing the nut portion and a leading end located opposite the base end, wherein when viewing the hood portion from a side, a length of an upper side of the hood portion from the base end to the leading end is longer than a length of the lower side of the hood portion from the base end to the leading end,

wherein when viewing the hood portion from the side, an entirety of an upper contour of the hood portion is an upward convex curve line, the upward convex curve line extending from the base end to the leading end,

wherein when viewing the hood portion from the side, a contour of the leading end between the upper side and the lower side is a concave curve line toward the base end,

wherein the hood portion includes first and second bores through which the body of the reel seat passes,

wherein the first bore extends from the base end toward the leading end, a central axis of the first bore extending coaxially with a central axis of the body,

wherein the second bore has a diameter greater than a diameter of the first bore and extends from the first bore toward the leading end, a central axis of the second bore extending coaxially with the central axis of the body, and

wherein when viewing the hood portion from a front, a step portion is formed between the first bore and the second bore.

2. The movable hood for a reel seat of claim 1, wherein a top point of the convex curve line is located from the base end at a distance of 80% or less of the length of the upper side from the base end to the leading end.

13

3. The movable hood for a reel seat of claim 1, wherein when viewing the hood portion from the side, a lower contour of the hood portion includes an upward concave curve line.

4. The movable hood for a reel seat of claim 1, wherein a depth from the leading end to the step portion is in a range of 30% to 70% of the length of the upper side from the base end to the leading end.

5. The movable hood for a reel seat of claim 1, further comprising an auxiliary hood, at least a portion of which is fitted in between the outer peripheral surface of the body of the reel seat and an inner peripheral surface of the hood portion, and

wherein the at least portion of the auxiliary hood has an insertion portion fitted in between the body of the reel seat and the second bore.

6. The movable hood for a reel seat of claim 5, wherein the auxiliary hood has an opening or recess at a lateral side.

7. The movable hood for a reel seat of claim 1, wherein the length of the upper side from the base end to the leading end is 40 mm or less.

8. A reel seat, comprising:

a body including a seat portion, on which a pair of attachment legs of a reel are seated, at a lower side, and a male thread in an outer peripheral surface of one end portion, a portion of a fishing rod passing through the body in a longitudinal direction;

a movable hood located at one of both ends in the longitudinal direction of the body and clamping one of the pair of attachment legs to the seat portion of the body; and

a fixed hood located at the body opposite the movable hood for the reel seat and clamping the other of the pair of the attachment legs to the seat portion of the body, wherein the movable hood comprises:

a hood portion through which the body passes, the hood portion being movable in the longitudinal direction and clamping the one of the pair of attachment legs to the seat portion at a lower side; and

14

a nut portion connected to the hood portion so as to rotate around the body, the nut portion being threadedly coupled to the male thread of the body at an inner peripheral surface,

wherein the hood portion has a base end facing the nut portion and a leading end located opposite the base end, wherein when viewing the hood portion from a side, a length of an upper side of the hood portion from the base end to the leading end is longer than a length of the lower side of the hood portion from the base end of the leading end,

wherein when viewing the hood portion from the side, an entirety of an upper contour of the hood portion is an upward convex curve line, the upward convex curve line extending from the base end to the leading end,

wherein when viewing the hood portion from the side, a contour of the leading end between the upper side and the lower side is a concave curve line toward the base end,

wherein the hood portion includes first and second bores through which the body passes,

wherein the first bore extends coaxially from the base end toward the leading end, a central axis of the first bore extending coaxially with a central axis of the body,

wherein the second bore has a diameter greater than a diameter of the first bore and extends from the first bore toward the leading end, a central axis of the second bore extending coaxially with the central axis of the body, and

wherein when viewing the hood portion from a front, a step portion is formed between the first bore and the second bore.

9. A fishing rod including the movable hood for the reel set of claim 1.

10. The fishing rod including the reel seat of claim 8.

11. The movable hood for a reel seat of claim 1, wherein another step portion is formed between the first bore and the second bore near the leading end.

12. The reel seat of claim 8, wherein another step portion is formed between the first bore and the second bore near the leading end.

* * * * *