

(19)



(11)

EP 1 942 580 A3

(12)

EUROPEAN PATENT APPLICATION

(88) Date of publication A3:
21.04.2010 Bulletin 2010/16

(51) Int Cl.:
H04B 1/38 (2006.01)

(43) Date of publication A2:
09.07.2008 Bulletin 2008/28

(21) Application number: **07380306.6**

(22) Date of filing: **05.11.2007**

(84) Designated Contracting States:
**AT BE BG CH CY CZ DE DK EE ES FI FR GB GR
 HU IE IS IT LI LT LU LV MC MT NL PL PT RO SE
 SI SK TR**
 Designated Extension States:
AL BA HR MK RS

(71) Applicant: **Passas Varo, Maria**
18014 Granada (ES)

(72) Inventor: **Passas Varo, Maria**
18014 Granada (ES)

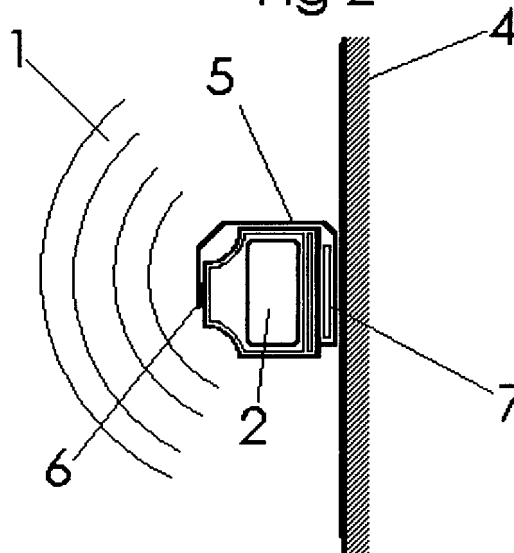
(30) Priority: **06.11.2006 ES 200602407**

(54) **Case for electromagnetic radiation emitting devices**

(57) A protective case for electromagnetic radiation emitting devices comprising a main volume, opened in its upper side, which will contain the emitting device, with

the feature that it encloses at least a rigid, or flexible, electromagnetic shielding material sheet or net, with the aim of protecting the user from electromagnetic radiation emitted by the aforementioned devices.

Fig 2



EP 1 942 580 A3



EUROPEAN SEARCH REPORT

Application Number
EP 07 38 0306

DOCUMENTS CONSIDERED TO BE RELEVANT			
Category	Citation of document with indication, where appropriate, of relevant passages	Relevant to claim	CLASSIFICATION OF THE APPLICATION (IPC)
X	US 2002/185291 A1 (TASHJIAN RICHARD [US]) 12 December 2002 (2002-12-12) * abstract * * paragraph [0009] - paragraph [0012]; figure 1 *	1-8	INV. H04B1/38
X	----- EP 0 915 572 A1 (NETT ENTERPRISES LIMITED [GB]; SACHEL DESIGN CO LIMITED [GB]) 12 May 1999 (1999-05-12) * paragraph [0011] - paragraph [0013]; figure 2 * * paragraph [0019] *	1-7	
X	----- WO 02/095867 A1 (RAYNER LANCE HAROLD [GB]) 28 November 2002 (2002-11-28) * abstract * * page 13, paragraph 6 - page 15, paragraph 1; figure 1 *	1-8	
The present search report has been drawn up for all claims			TECHNICAL FIELDS SEARCHED (IPC)
			H04B
Place of search		Date of completion of the search	Examiner
Munich		15 March 2010	Ayala Perriello, M
CATEGORY OF CITED DOCUMENTS			
X : particularly relevant if taken alone Y : particularly relevant if combined with another document of the same category A : technological background O : non-written disclosure P : intermediate document		T : theory or principle underlying the invention E : earlier patent document, but published on, or after the filing date D : document cited in the application L : document cited for other reasons & : member of the same patent family, corresponding document	

2
EPO FORM 1503 03.02 (P04C01)

**ANNEX TO THE EUROPEAN SEARCH REPORT
ON EUROPEAN PATENT APPLICATION NO.**

EP 07 38 0306

This annex lists the patent family members relating to the patent documents cited in the above-mentioned European search report. The members are as contained in the European Patent Office EDP file on The European Patent Office is in no way liable for these particulars which are merely given for the purpose of information.

15-03-2010

Patent document cited in search report	Publication date	Patent family member(s)	Publication date
US 2002185291 A1	12-12-2002	NONE	
EP 0915572 A1	12-05-1999	NONE	
WO 02095867 A1	28-11-2002	EP 1393408 A1 GB 2393387 A	03-03-2004 31-03-2004

EPO FORM P0459

For more details about this annex : see Official Journal of the European Patent Office, No. 12/82