



US 20210050666A1

(19) **United States**

(12) **Patent Application Publication**
Cirik et al.

(10) **Pub. No.: US 2021/0050666 A1**

(43) **Pub. Date: Feb. 18, 2021**

(54) **ANTENNA PANEL
ACTIVATION/DEACTIVATION**

Publication Classification

(71) Applicants: **Ali Cagatay Cirik**, Herndon, VA (US);
Esmael Hejazi Dinan, McLean, VA
(US); **Yunjung Yi**, Vienna, VA (US);
Hua Zhou, Herndon, VA (US); **Alireza
Babaei**, Fairfax, VA (US); **Kyungmin
Park**, Vienna, VA (US)

(51) **Int. Cl.**
H01Q 3/24 (2006.01)
H04W 72/04 (2006.01)
H04W 52/02 (2006.01)
H04W 76/38 (2006.01)

(72) Inventors: **Ali Cagatay Cirik**, Herndon, VA (US);
Esmael Hejazi Dinan, McLean, VA
(US); **Yunjung Yi**, Vienna, VA (US);
Hua Zhou, Herndon, VA (US); **Alireza
Babaei**, Fairfax, VA (US); **Kyungmin
Park**, Vienna, VA (US)

(52) **U.S. Cl.**
CPC **H01Q 3/24** (2013.01); **H04W 76/38**
(2018.02); **H04W 52/0206** (2013.01); **H04W
72/0413** (2013.01)

(57) **ABSTRACT**

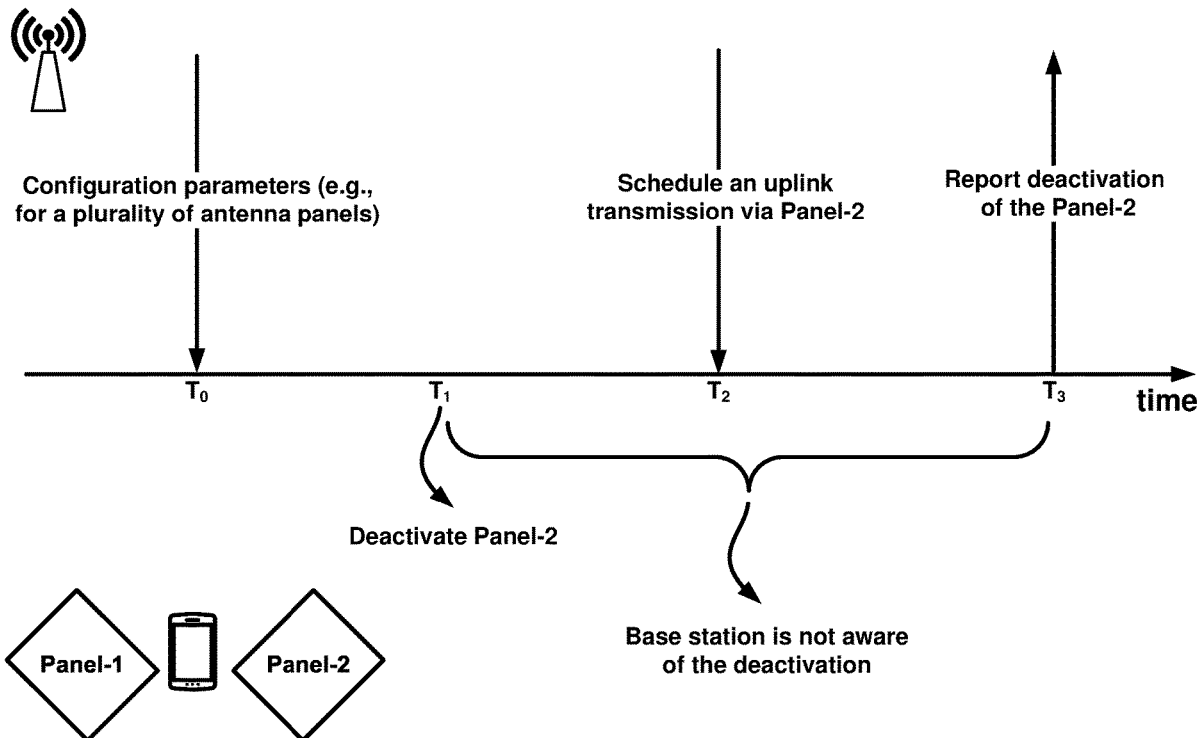
A wireless device determines to deactivate an antenna panel of a plurality of antenna panels at the wireless device. An uplink signal indicating the determination to deactivate the antenna panel is transmitted. A time window based on transmitting the uplink signal is started. The antenna panel is deactivated based on an expiry of the time window.

(21) Appl. No.: **16/989,310**

(22) Filed: **Aug. 10, 2020**

Related U.S. Application Data

(60) Provisional application No. 62/887,535, filed on Aug. 15, 2019.



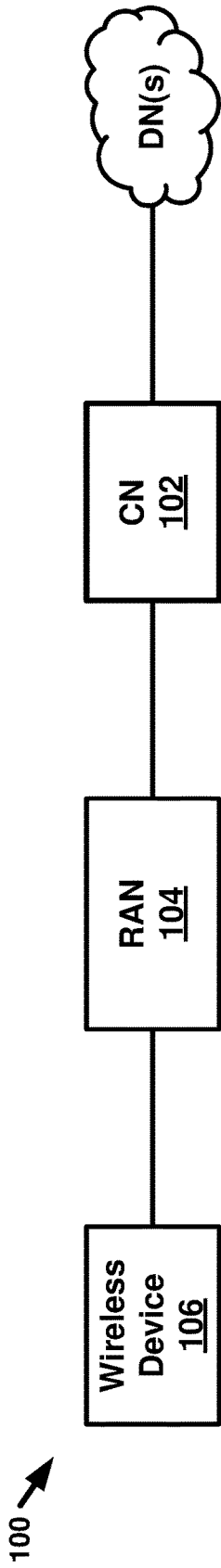


FIG. 1A

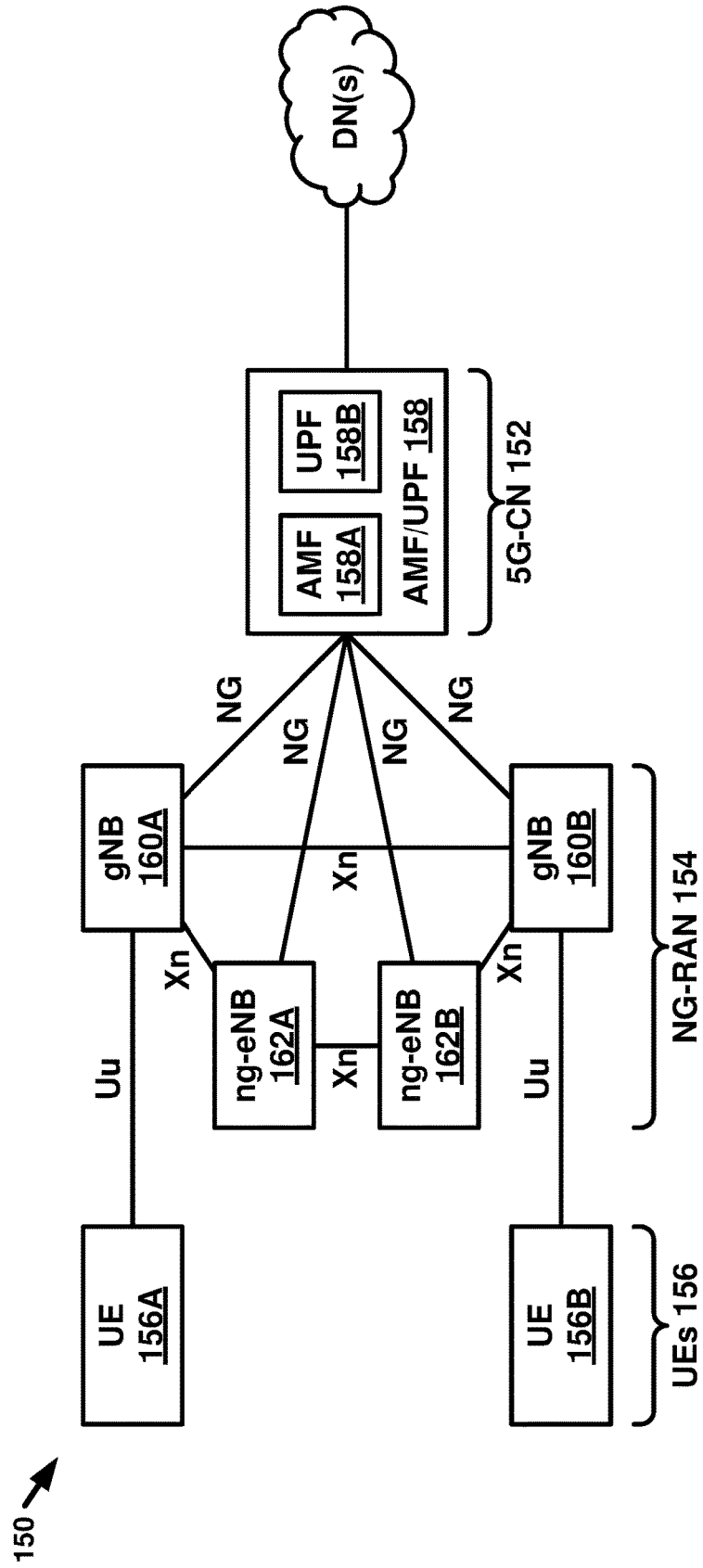


FIG. 1B

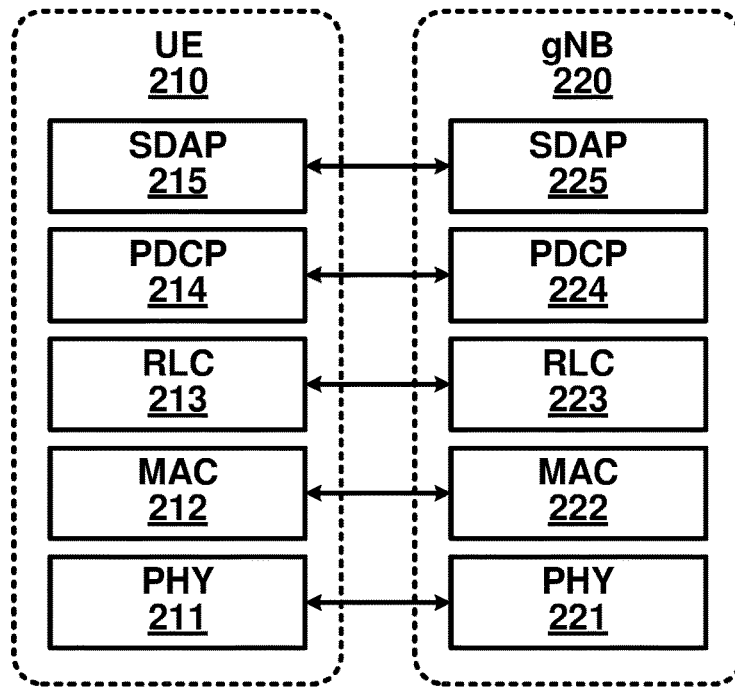


FIG. 2A

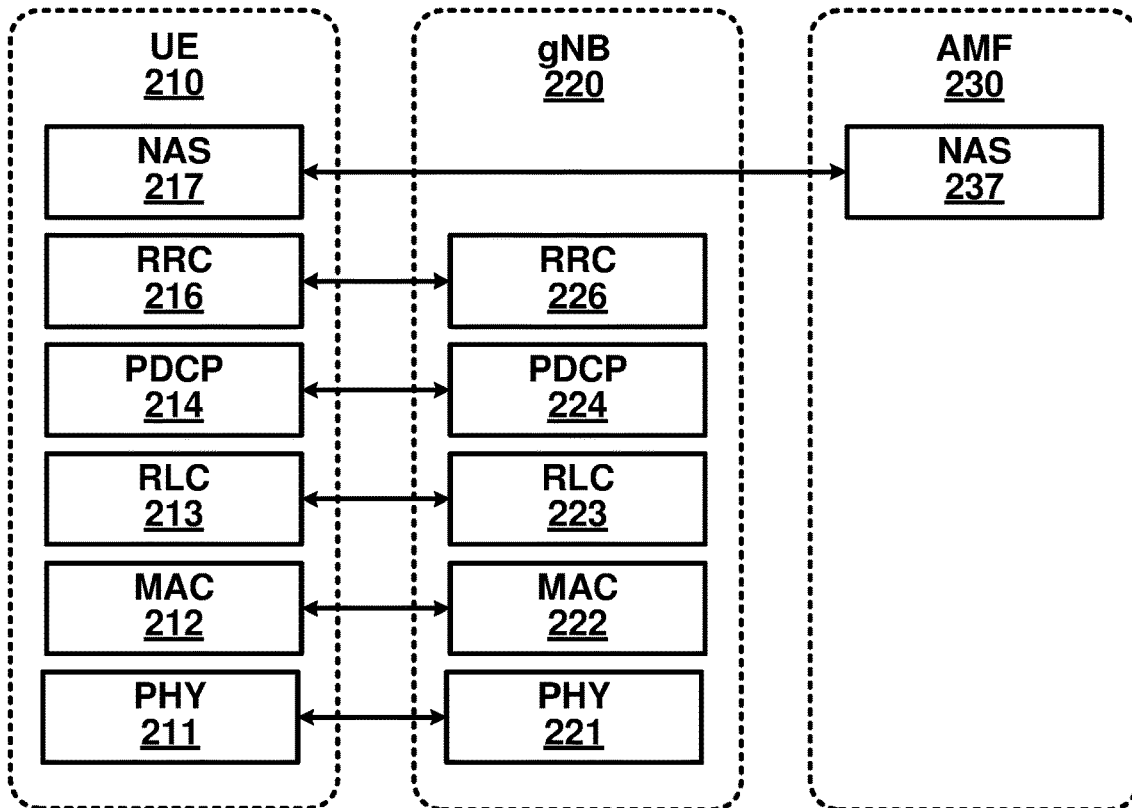


FIG. 2B

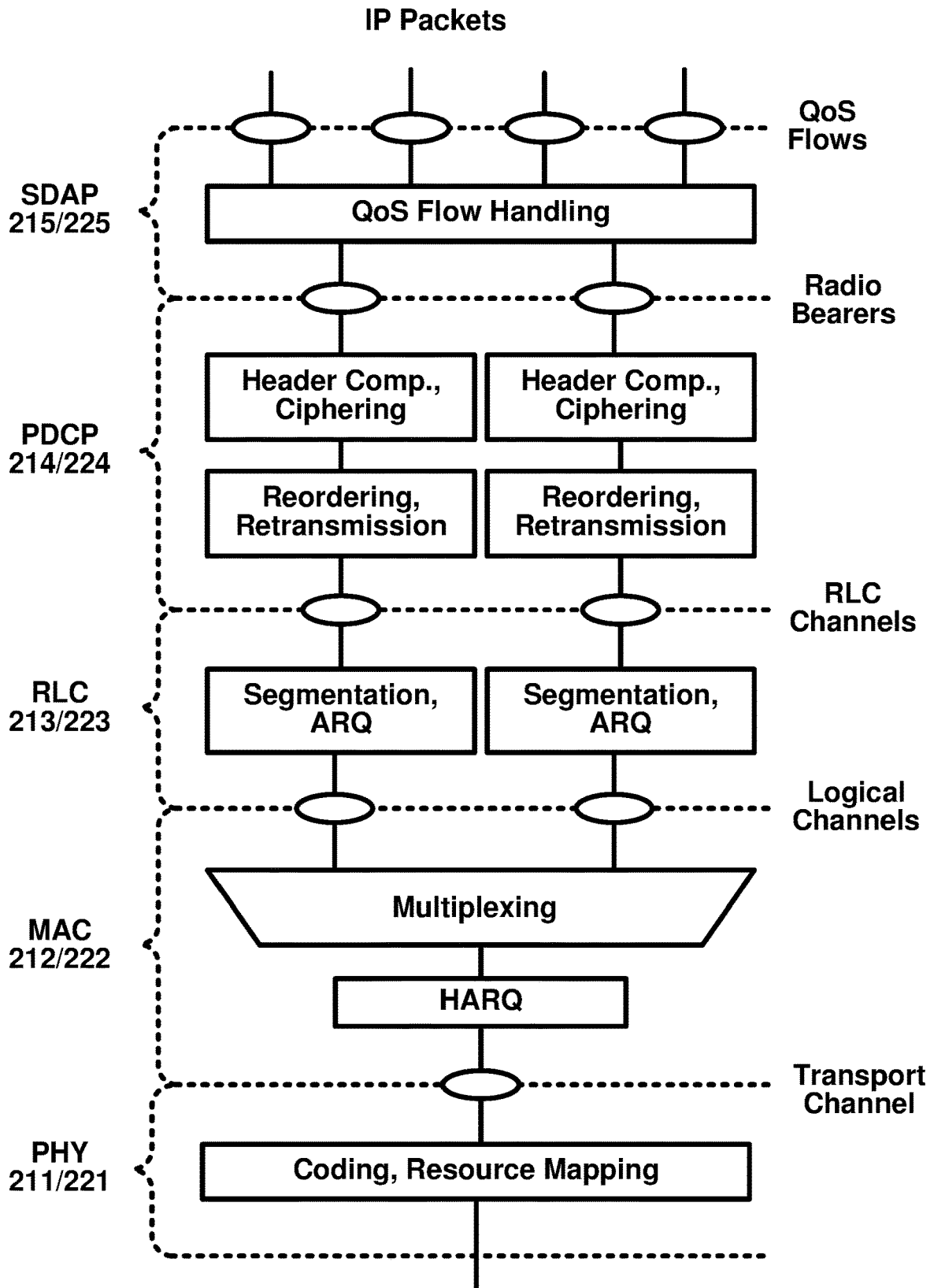


FIG. 3

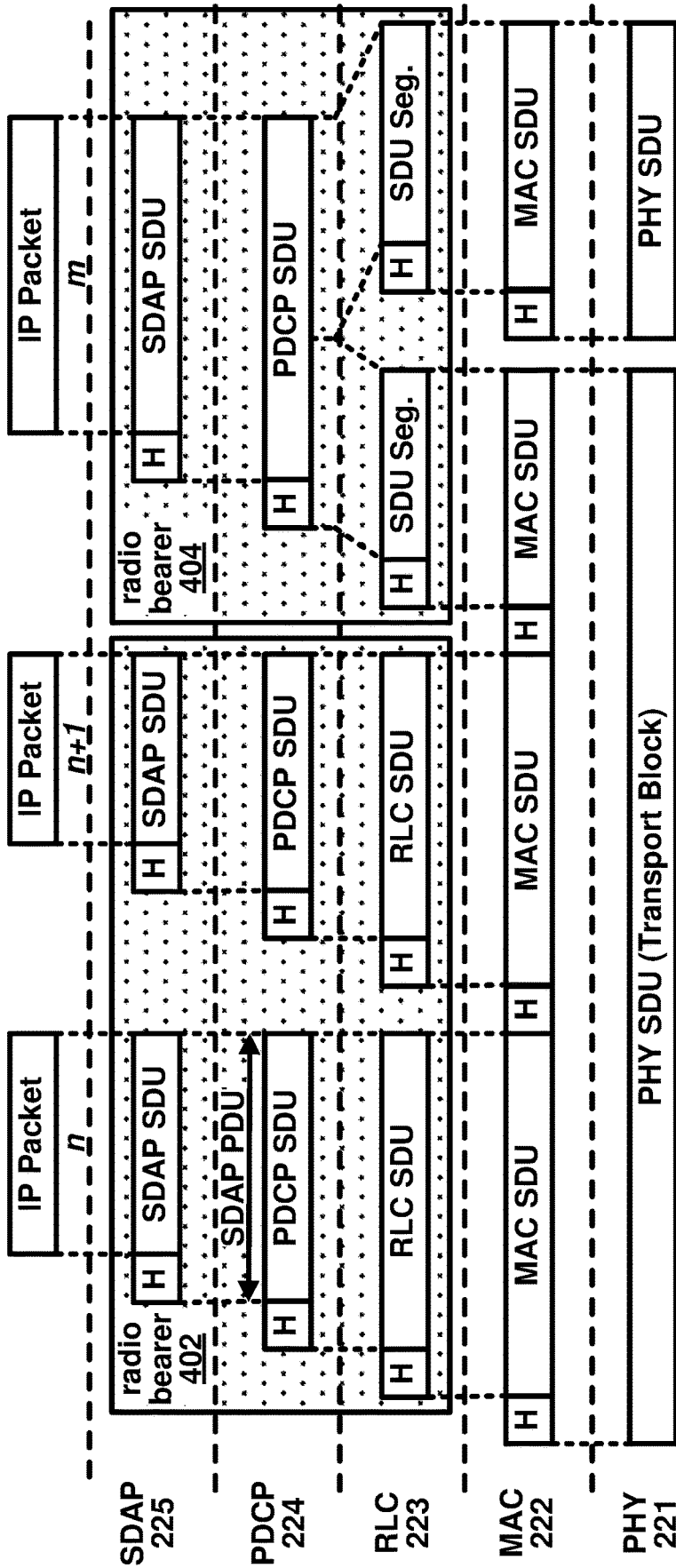


FIG. 4A

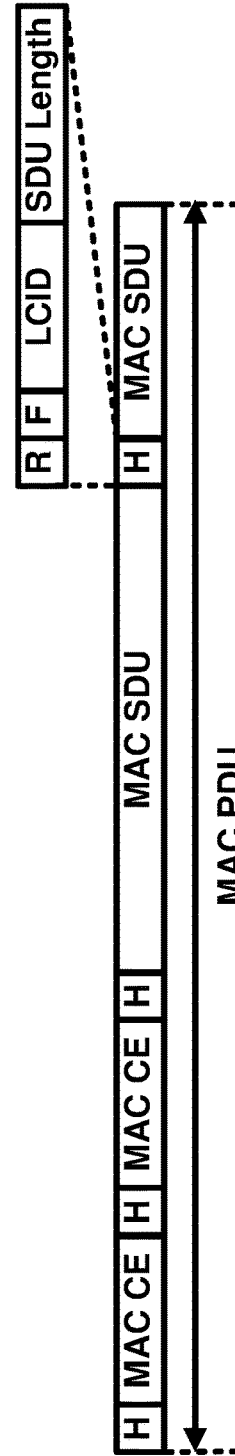
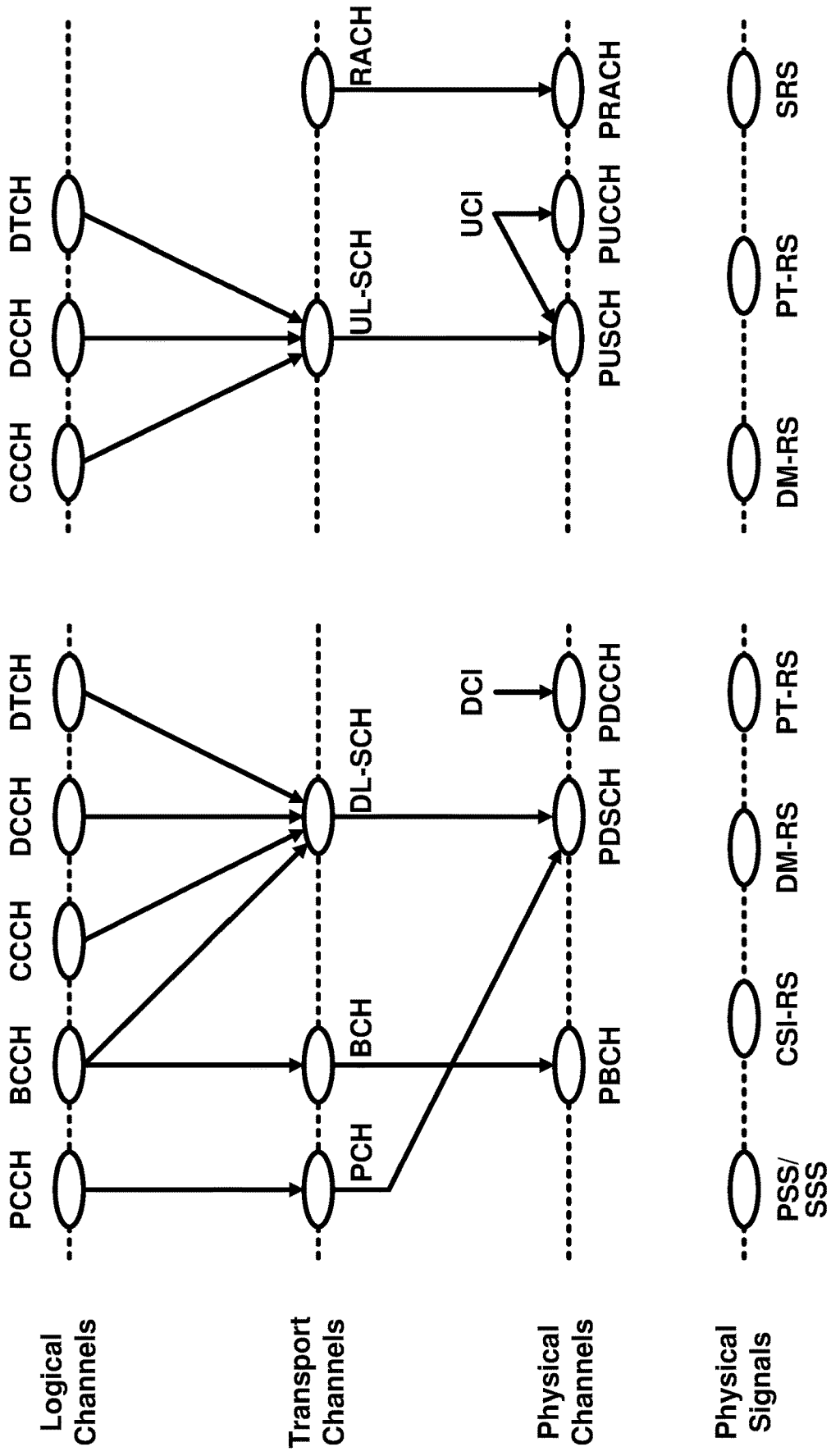


FIG. 4B



Downlink

Uplink

FIG. 5A

FIG. 5B

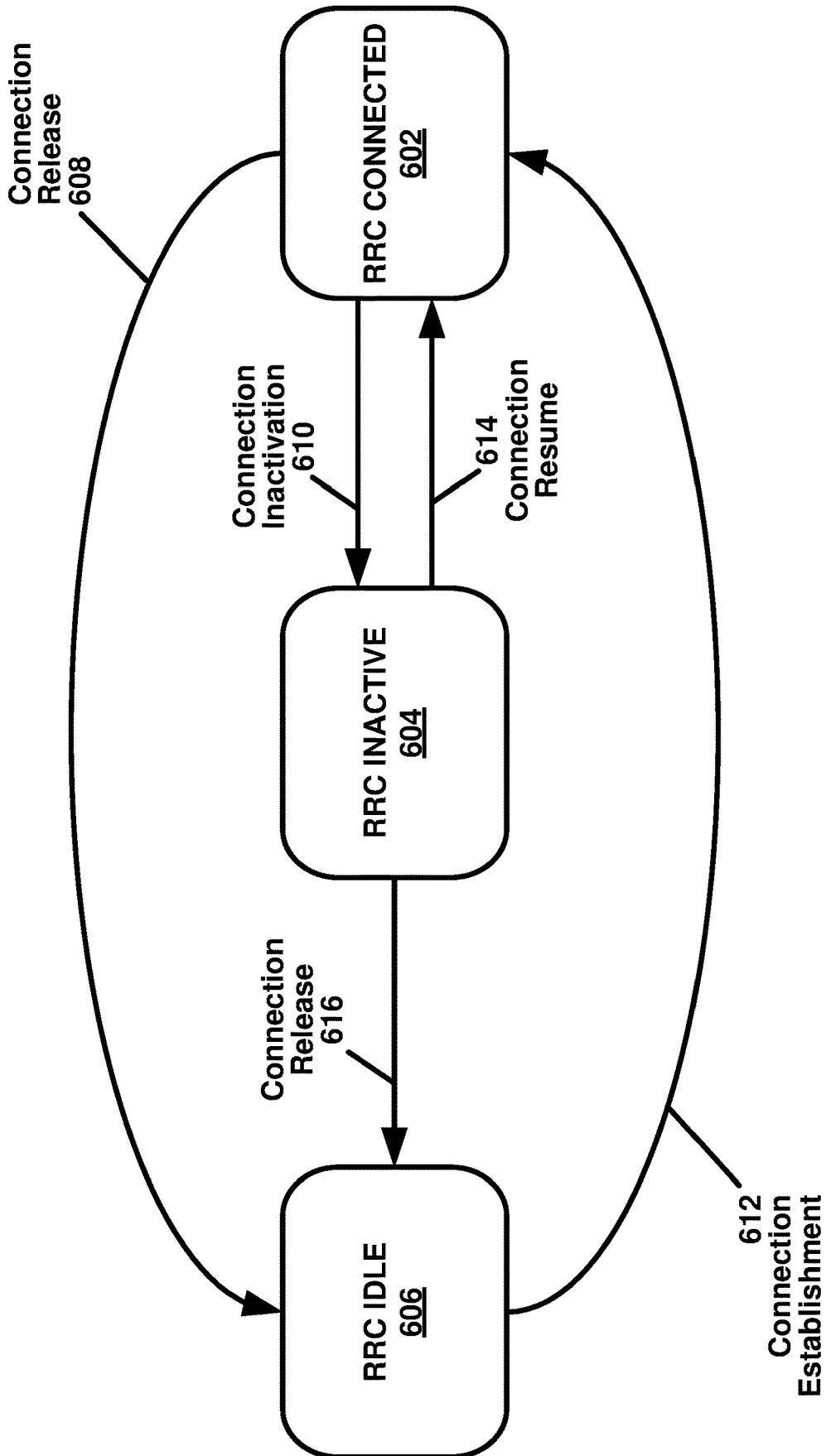


FIG. 6

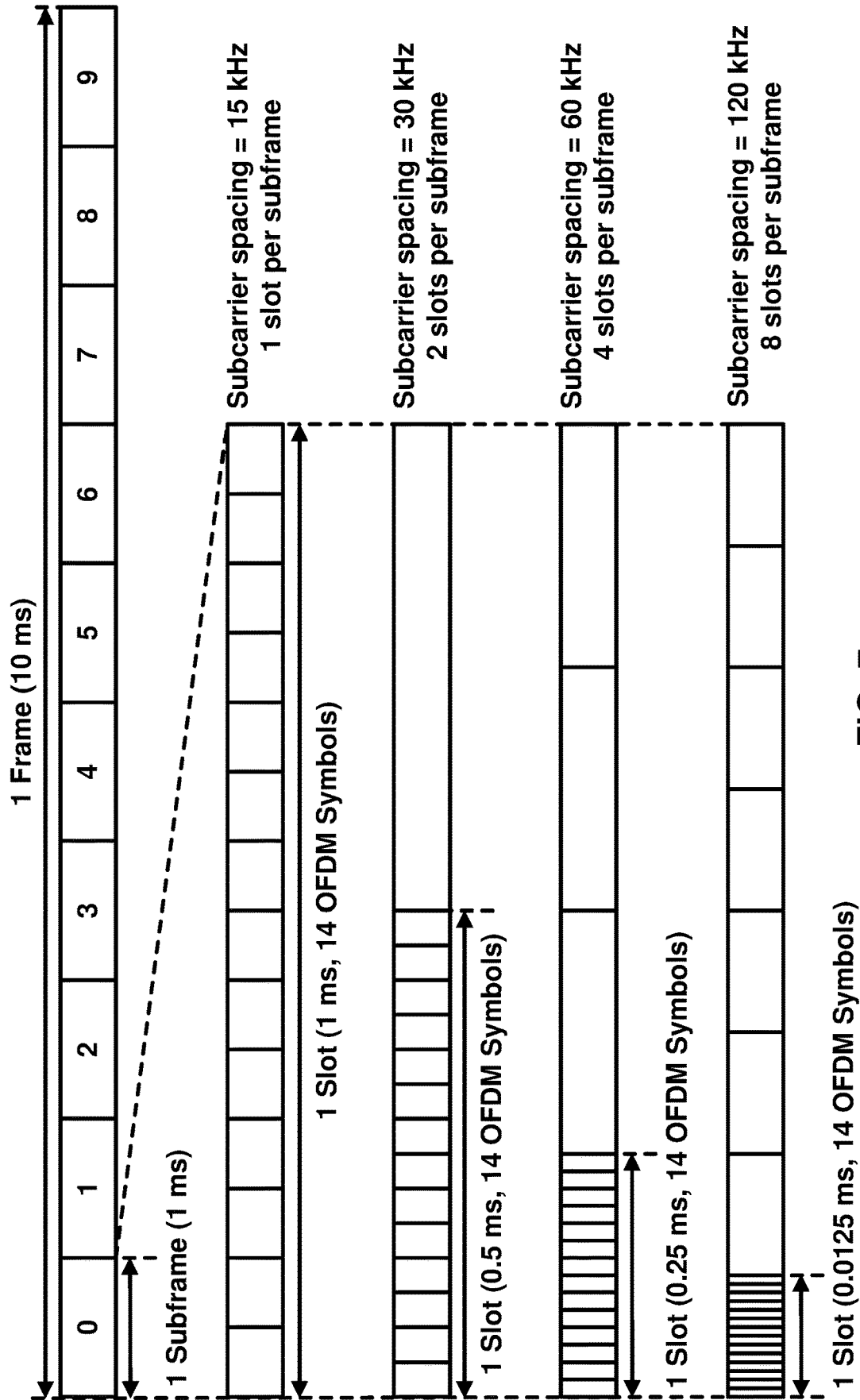


FIG. 7

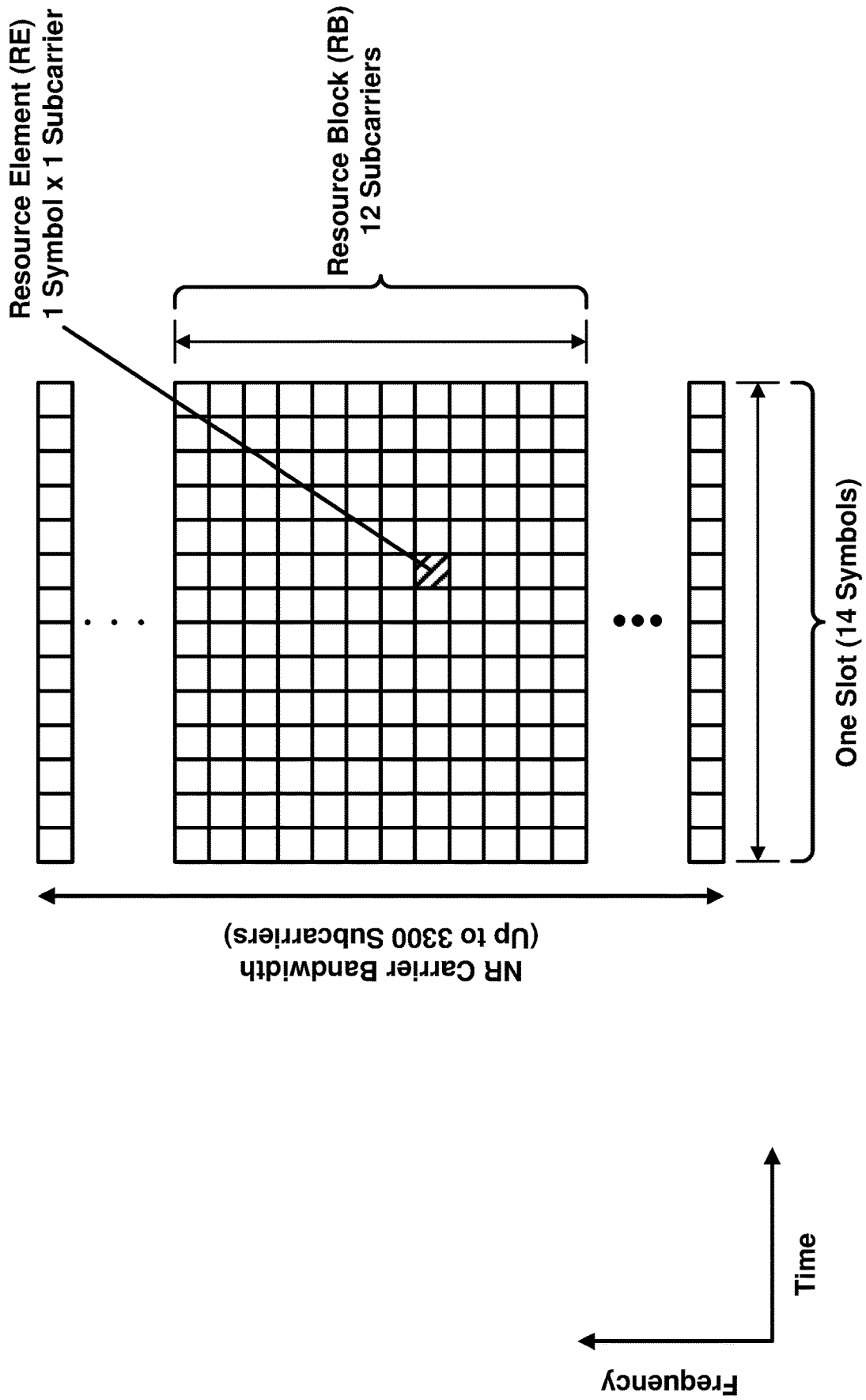


FIG. 8

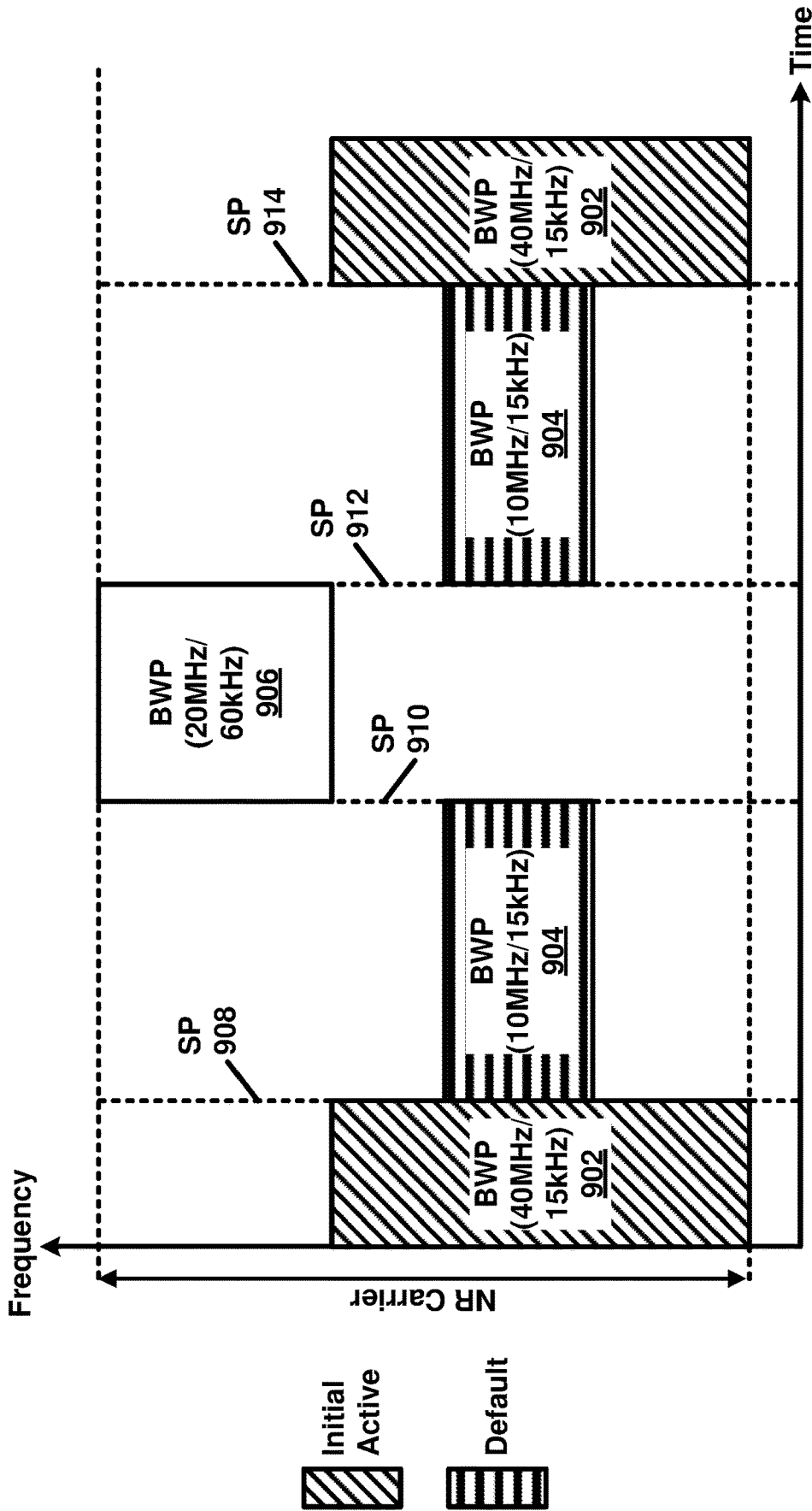


FIG. 9

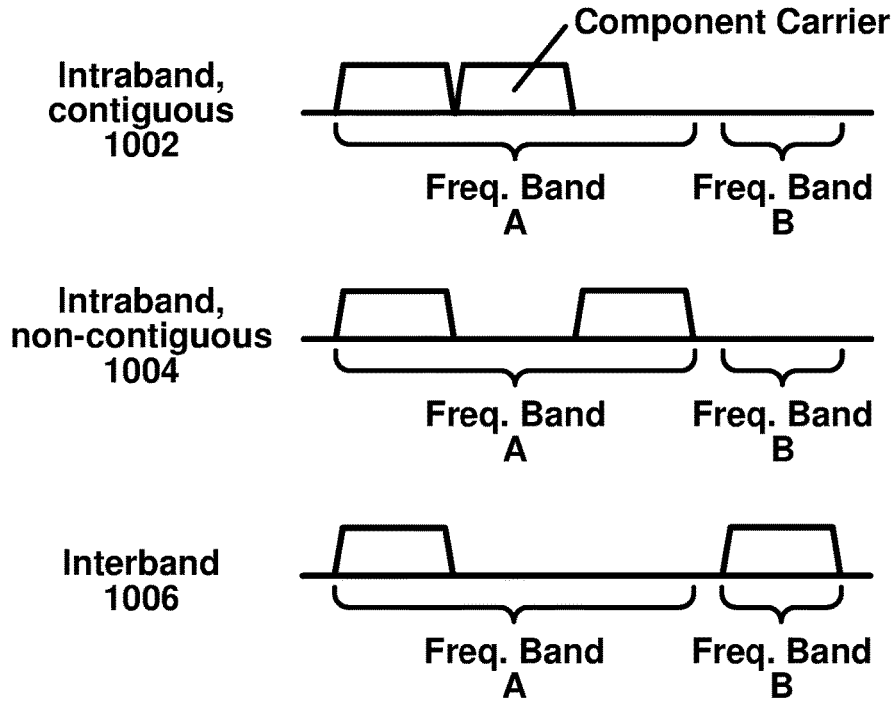


FIG. 10A

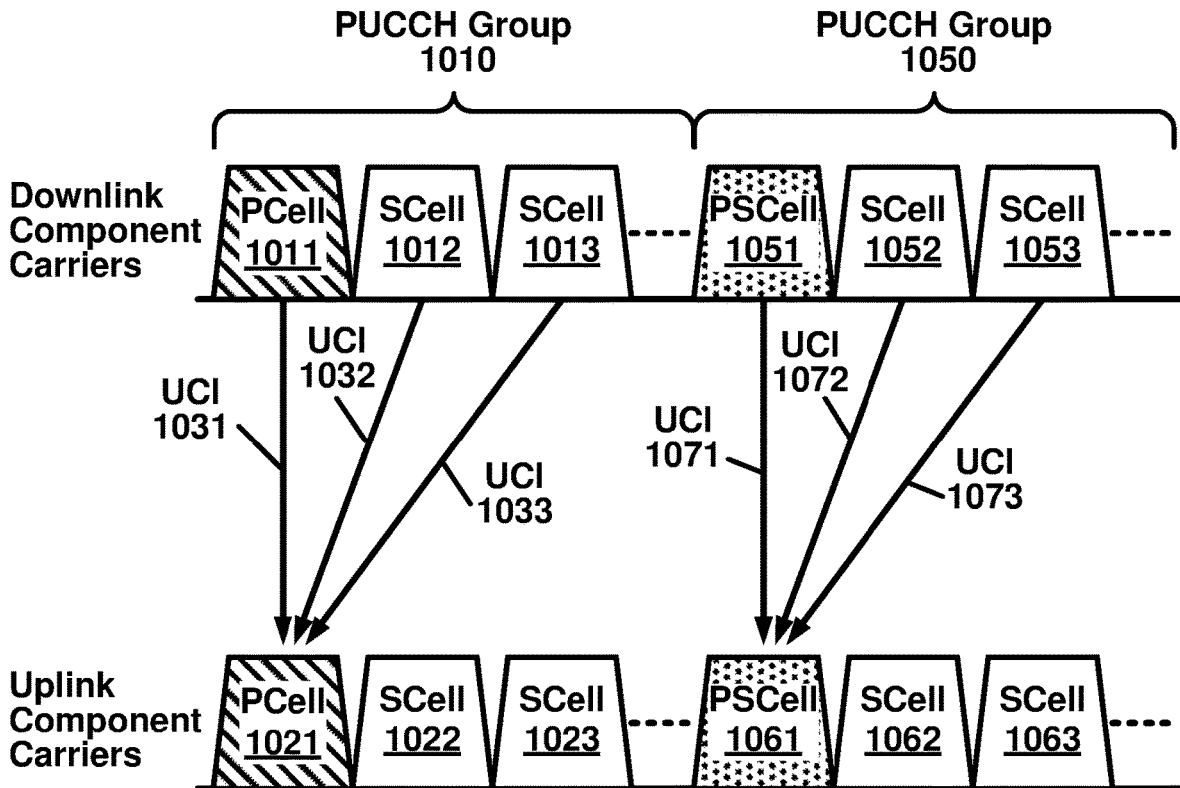


FIG. 10B

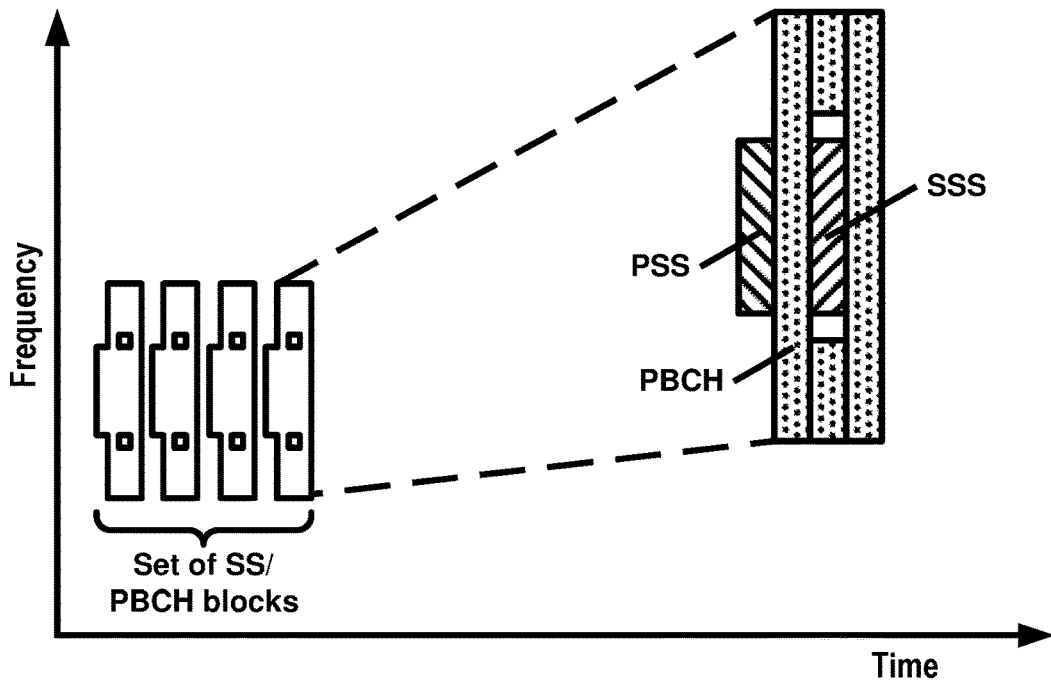


FIG. 11A

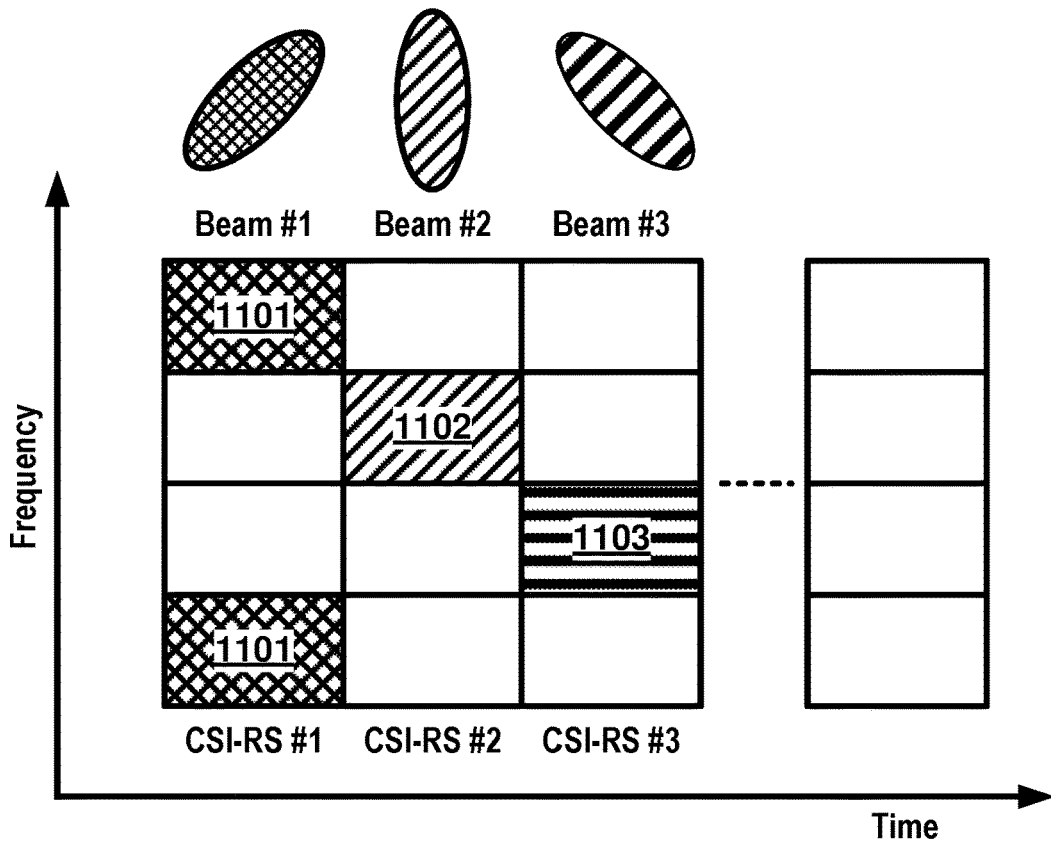


FIG. 11B

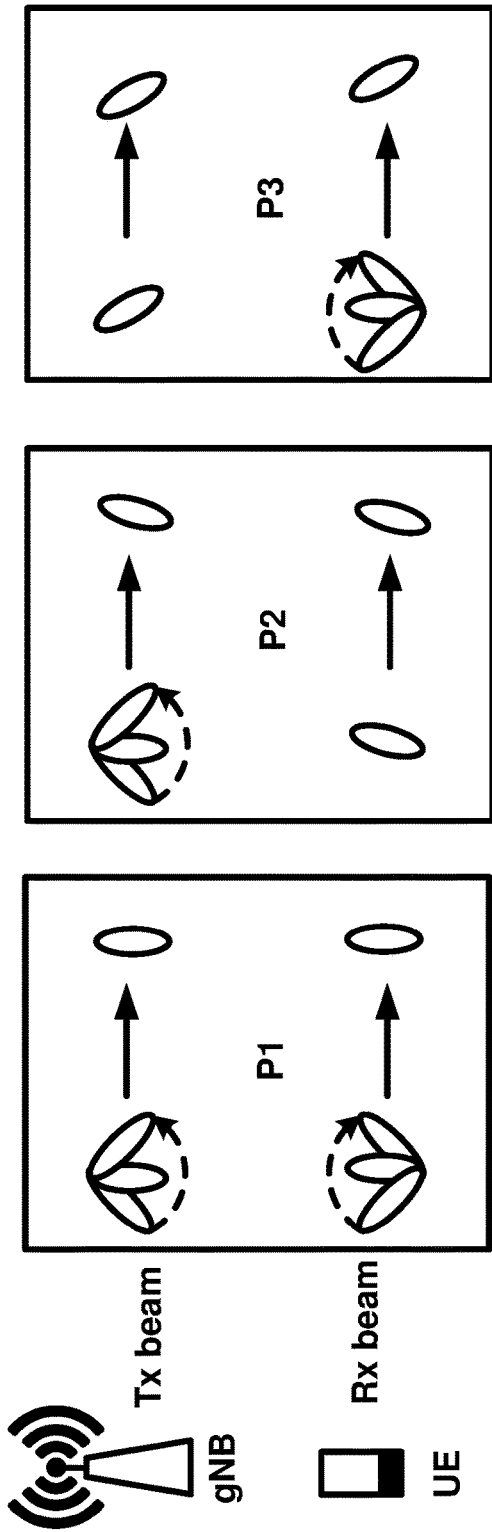


FIG. 12A

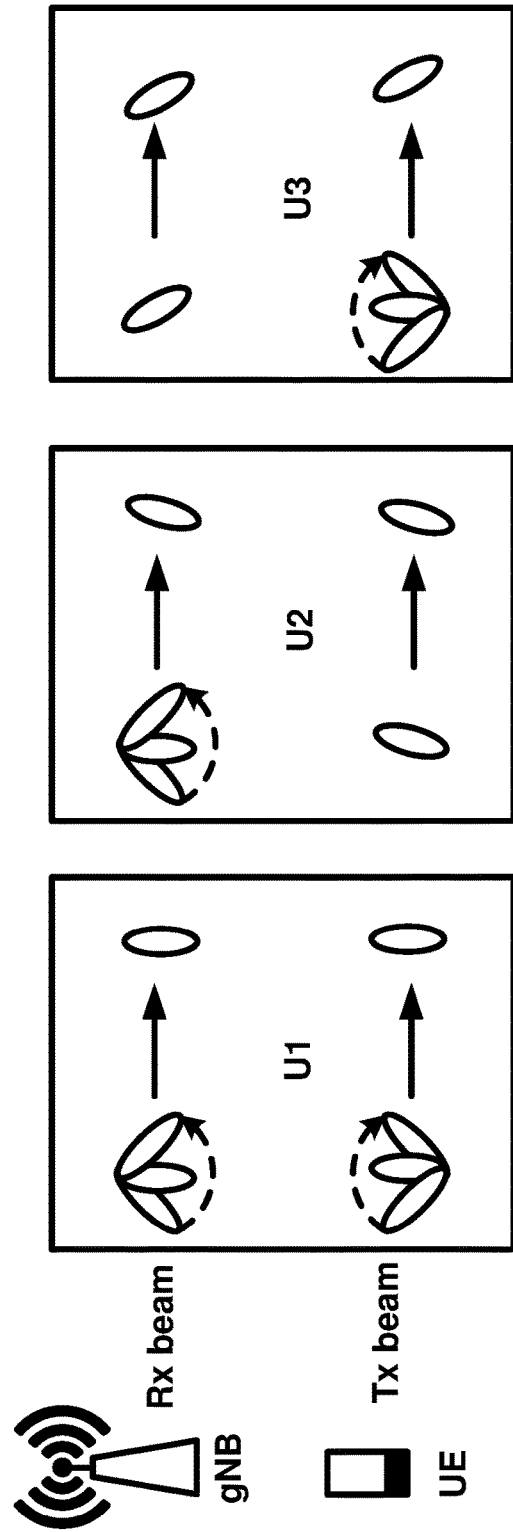


FIG. 12B

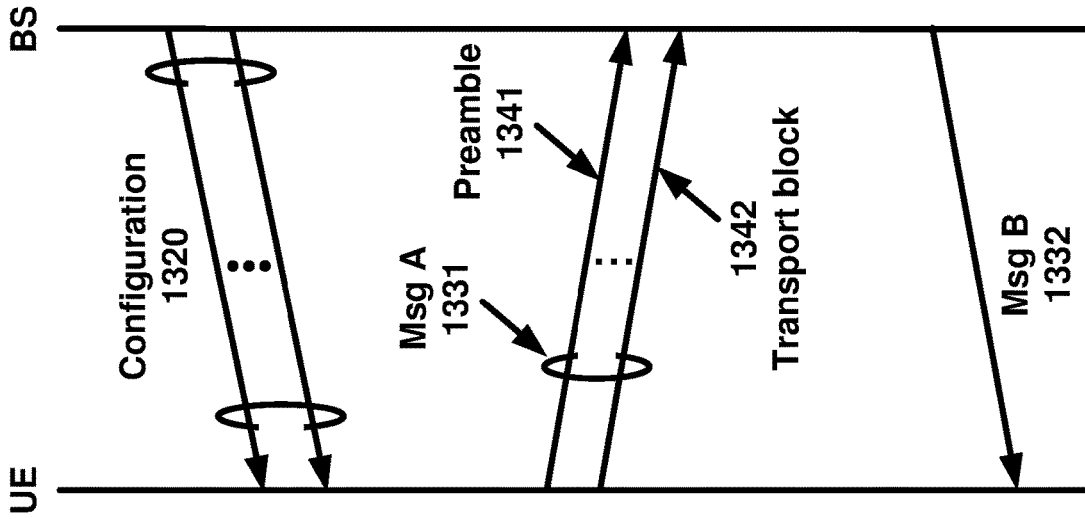


FIG. 13A

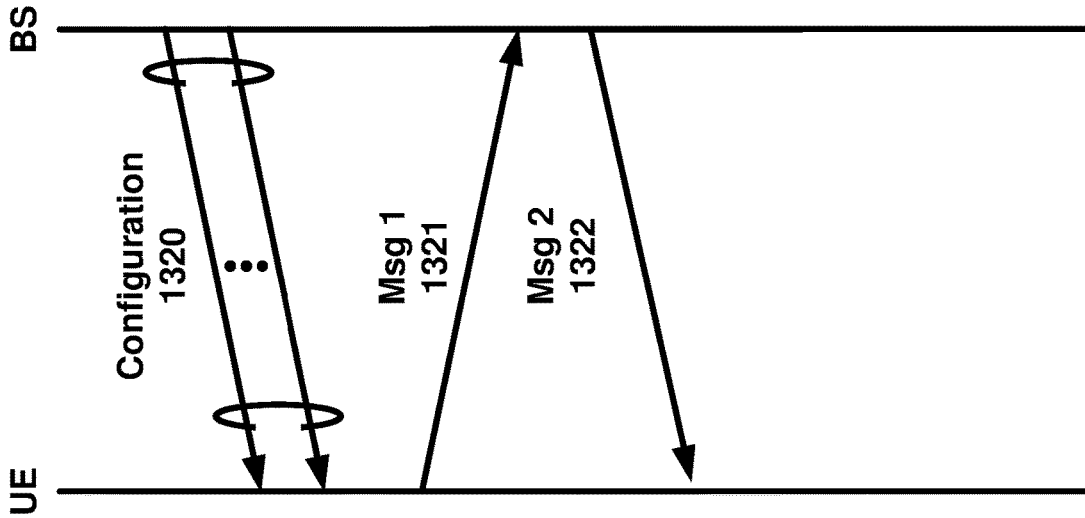


FIG. 13B

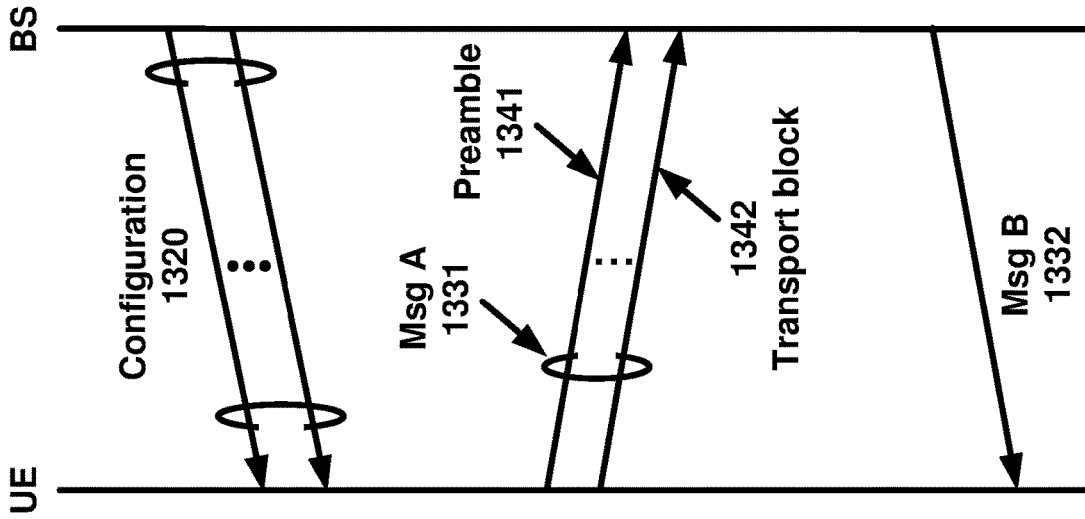


FIG. 13C

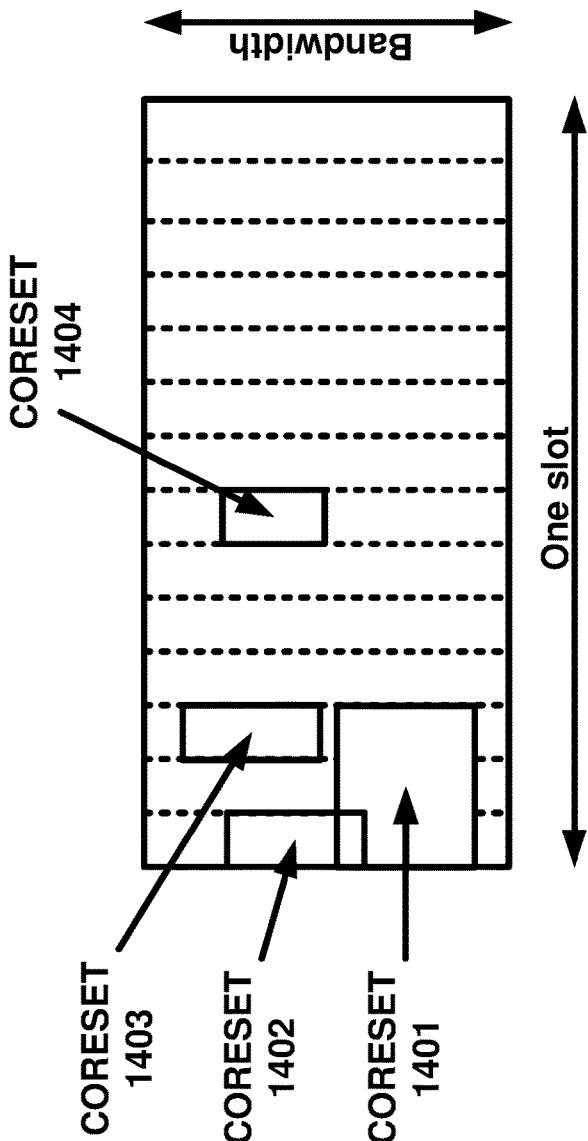


FIG. 14A

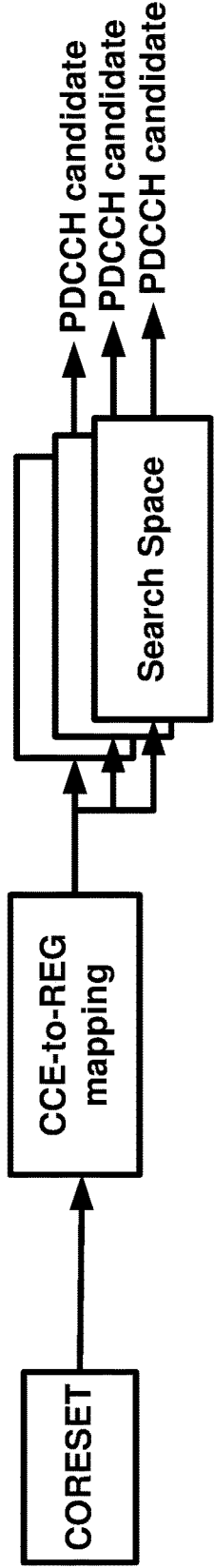


FIG. 14B

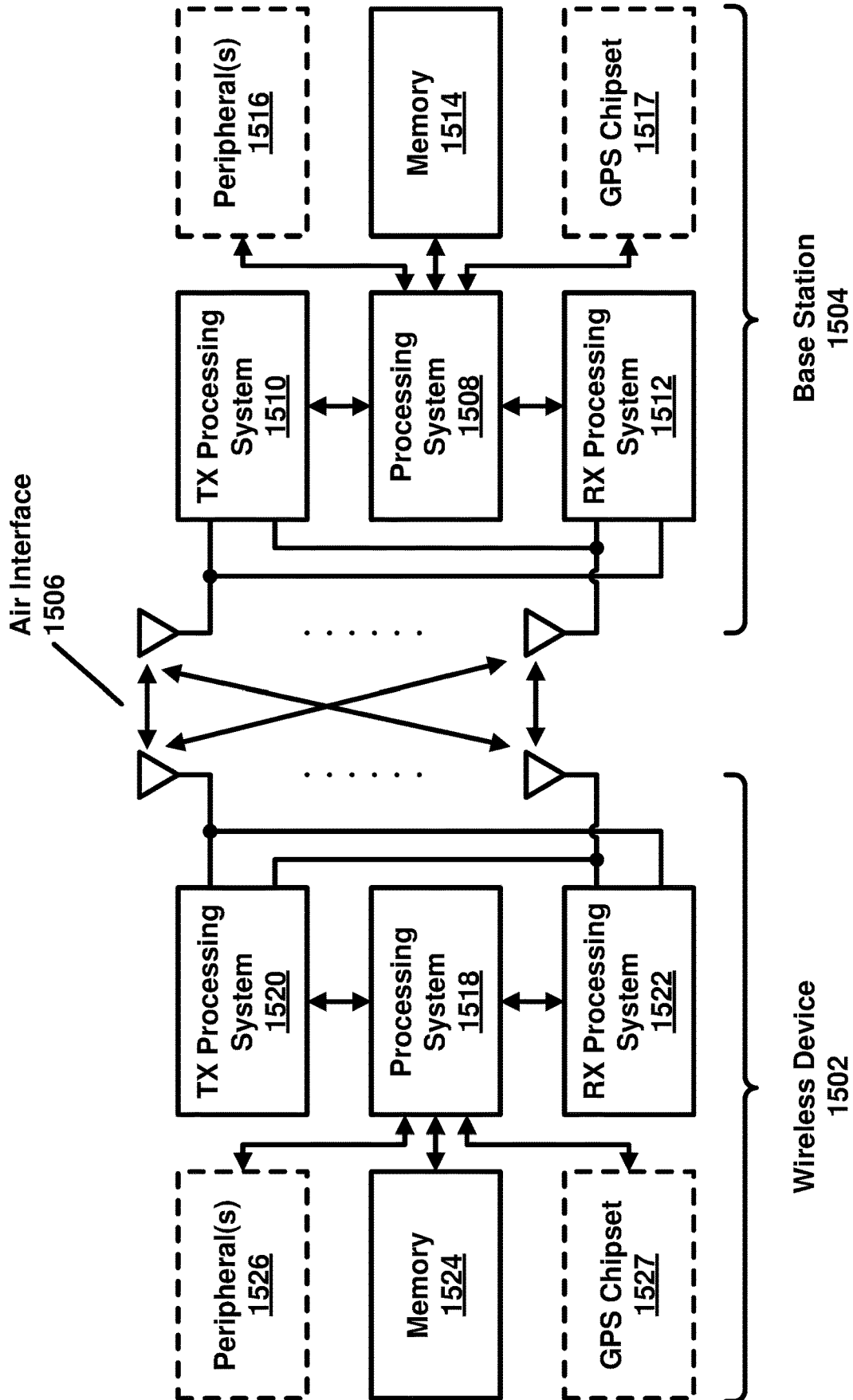


FIG. 15

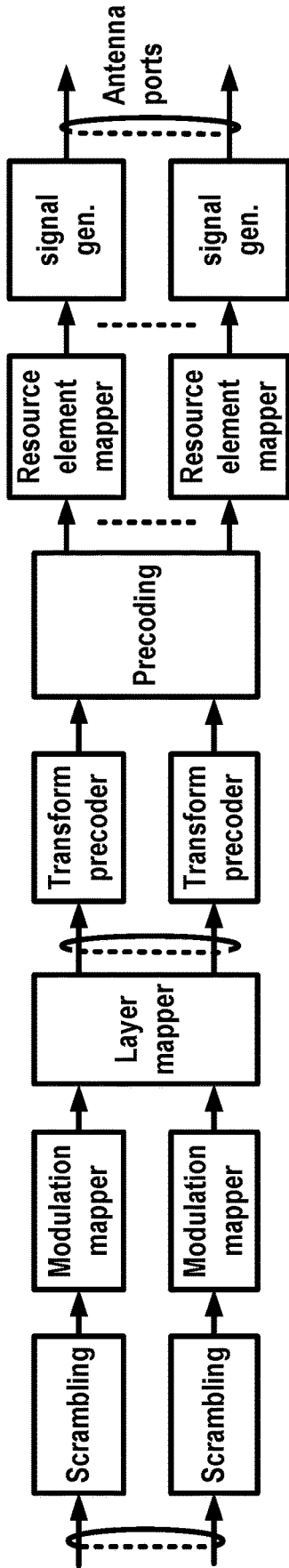


FIG. 16A

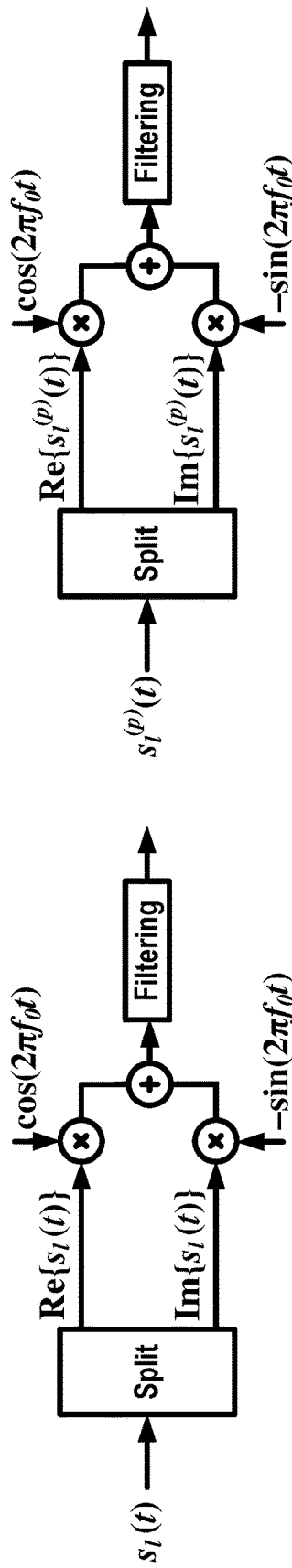


FIG. 16B

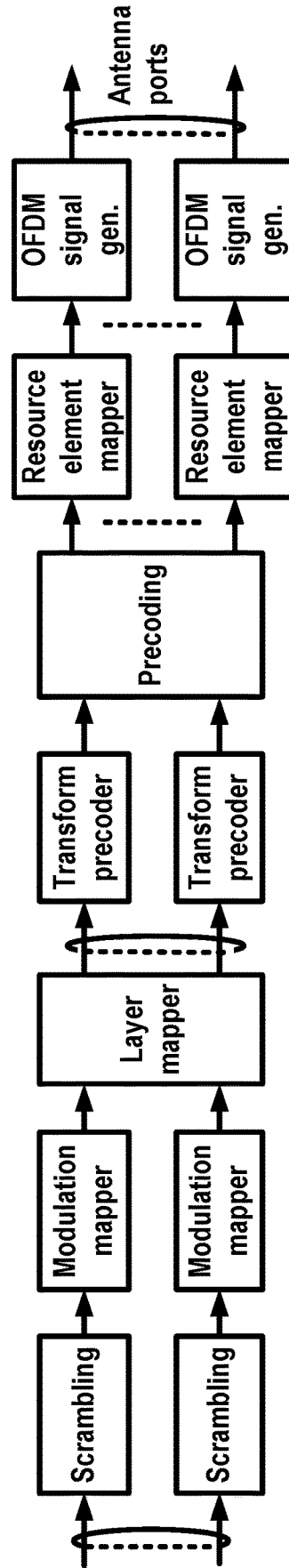


FIG. 16C

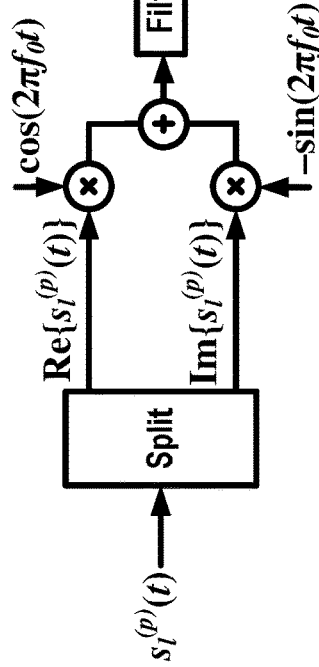


FIG. 16D

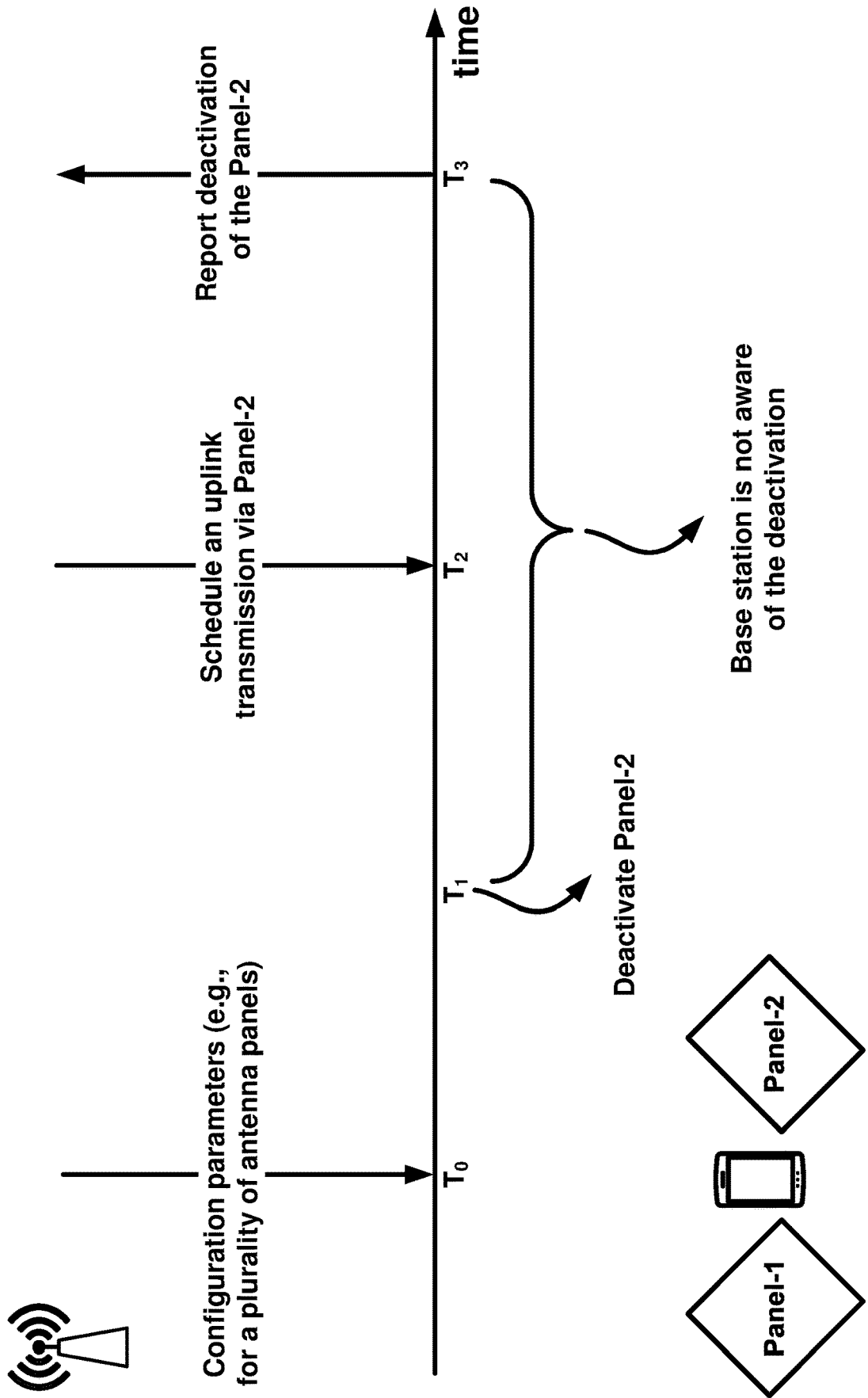


FIG. 17

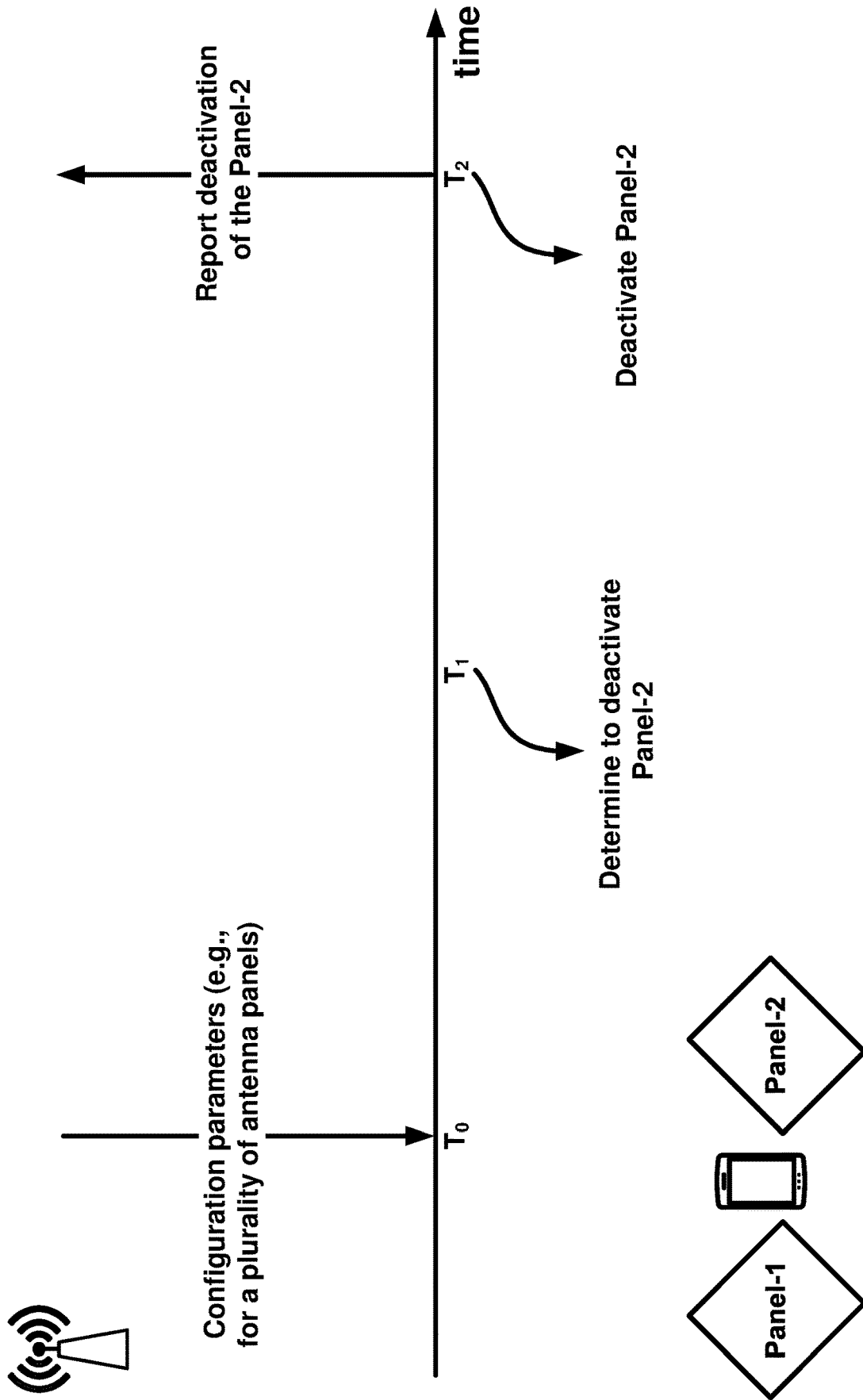


FIG. 18

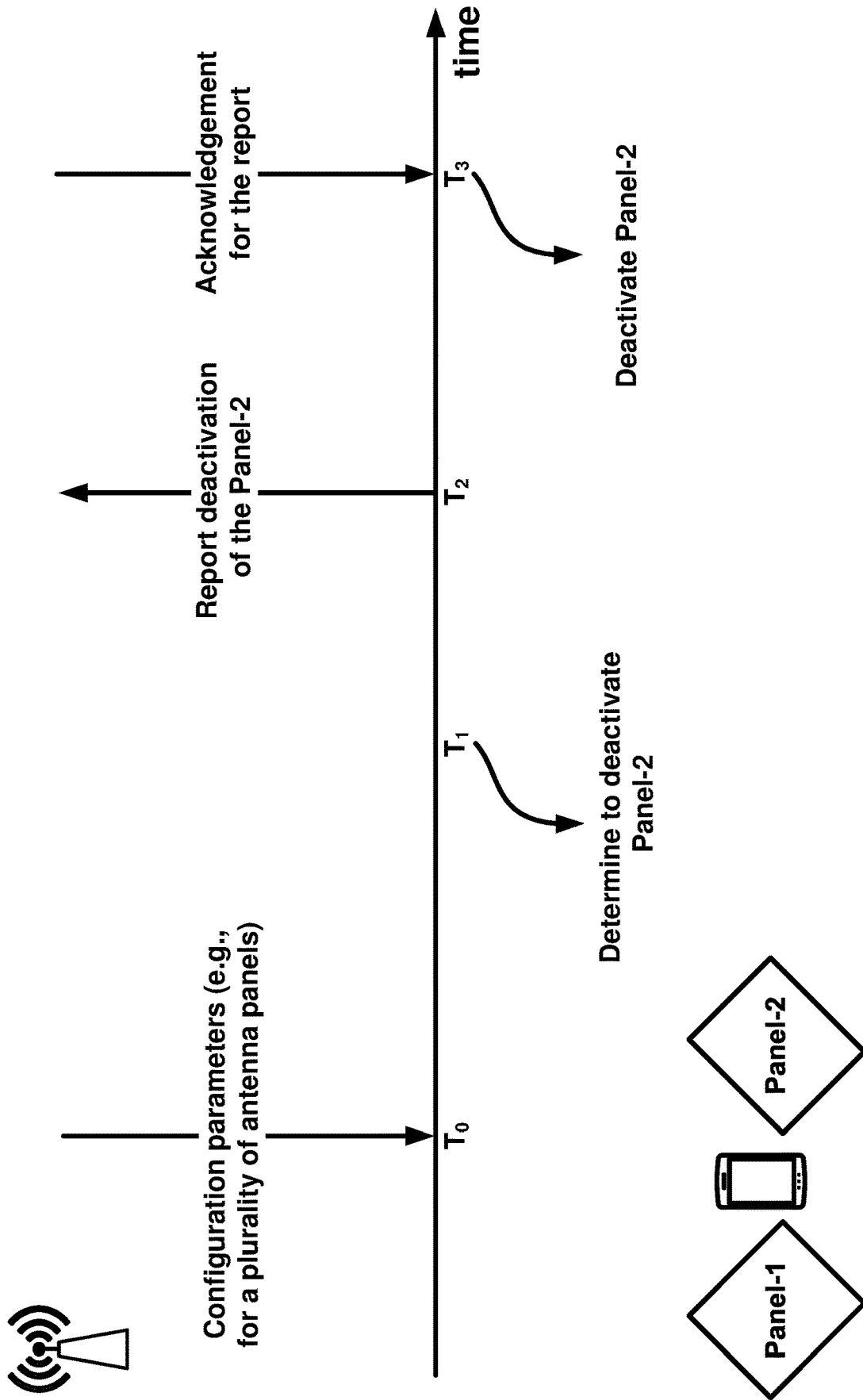


FIG. 19

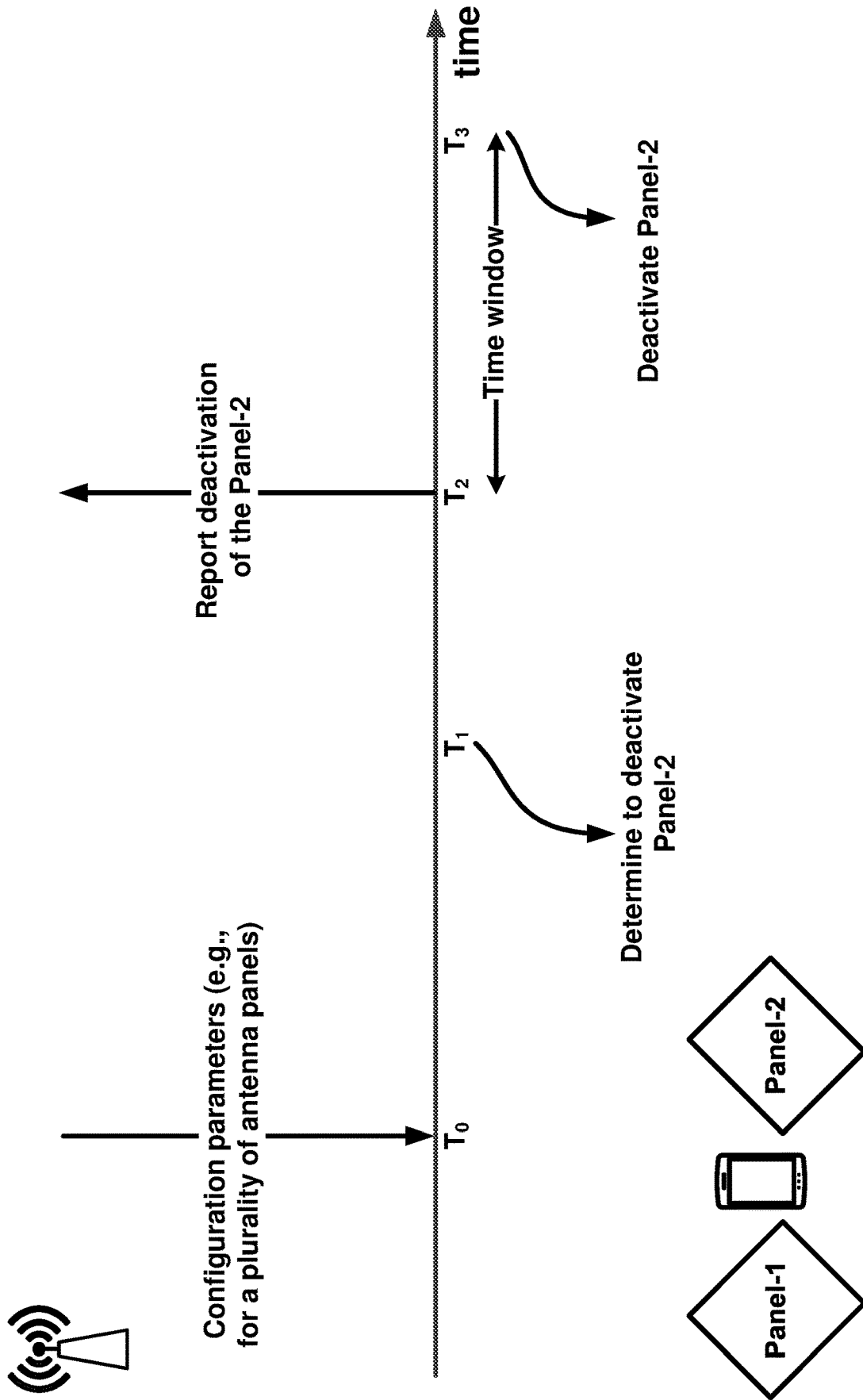


FIG. 20

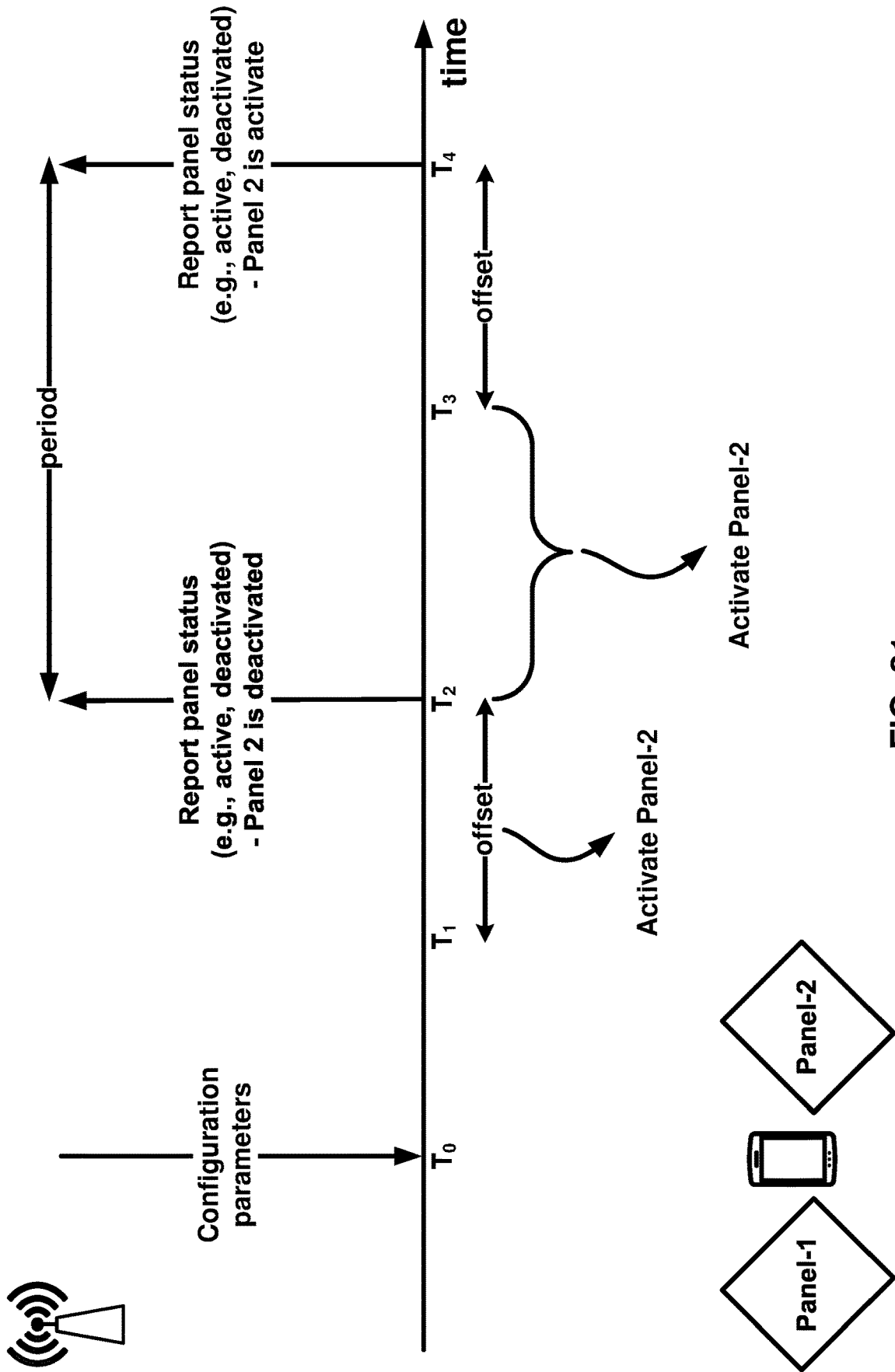


FIG. 21

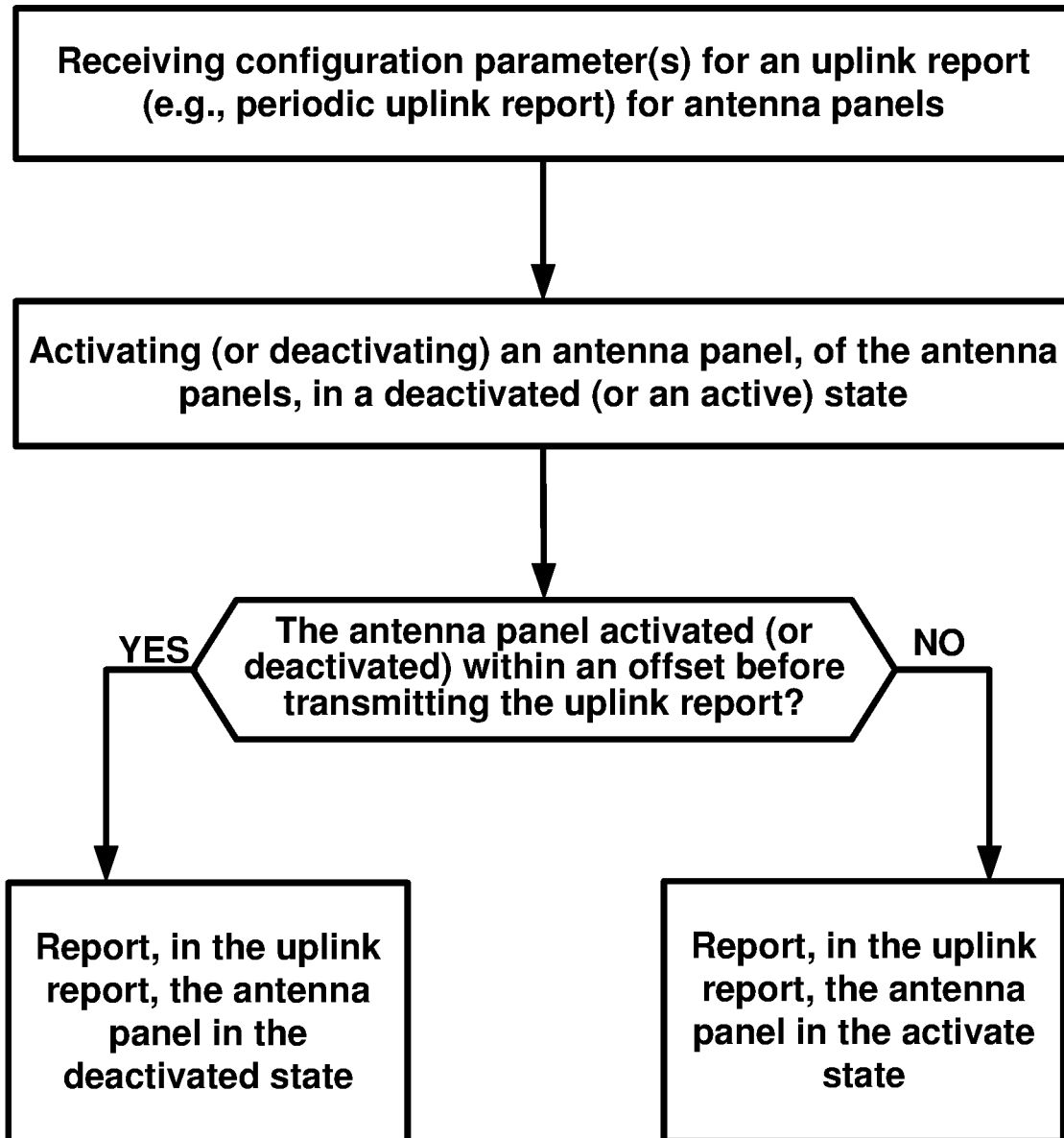


FIG. 22

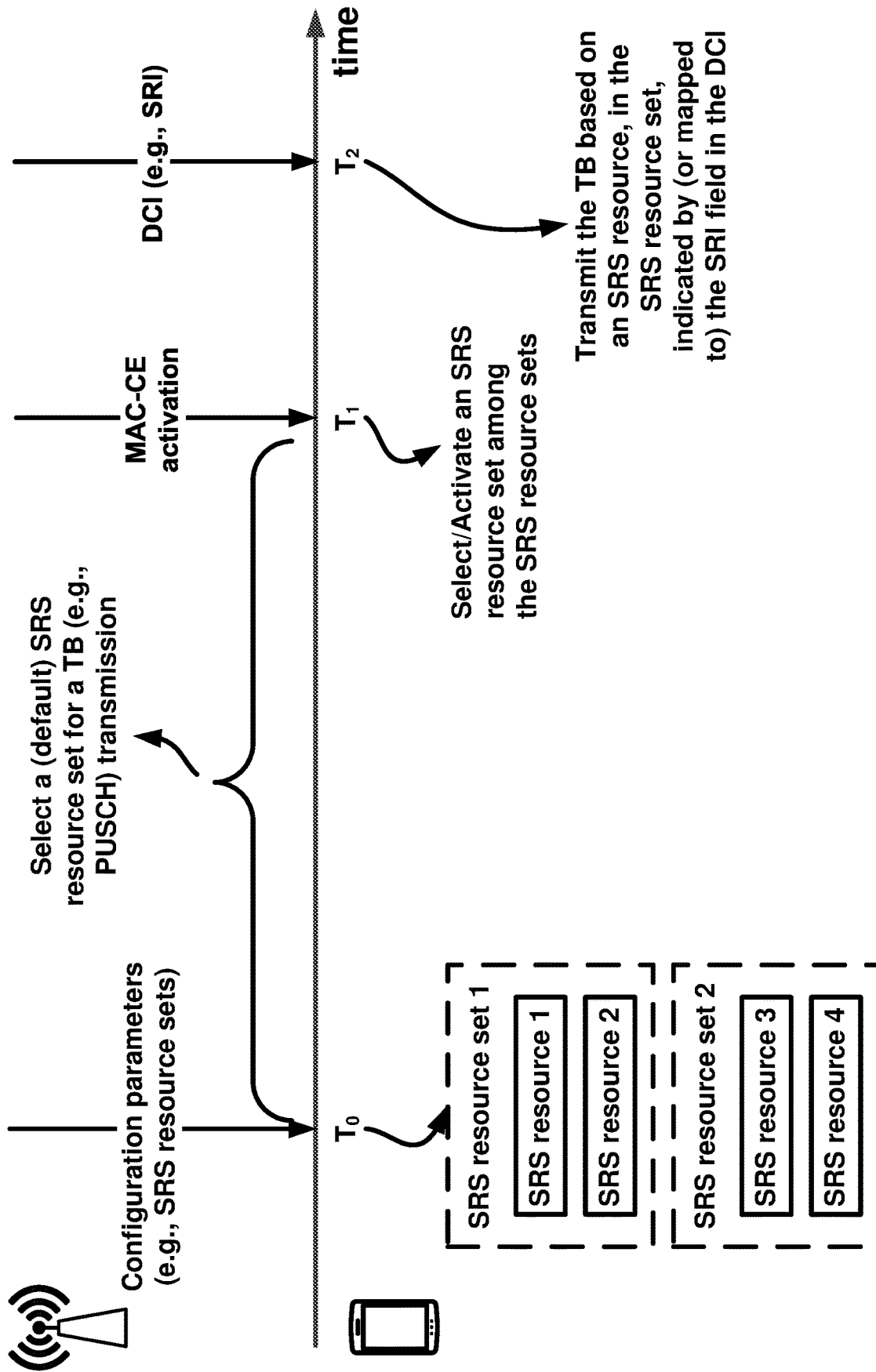


FIG. 23

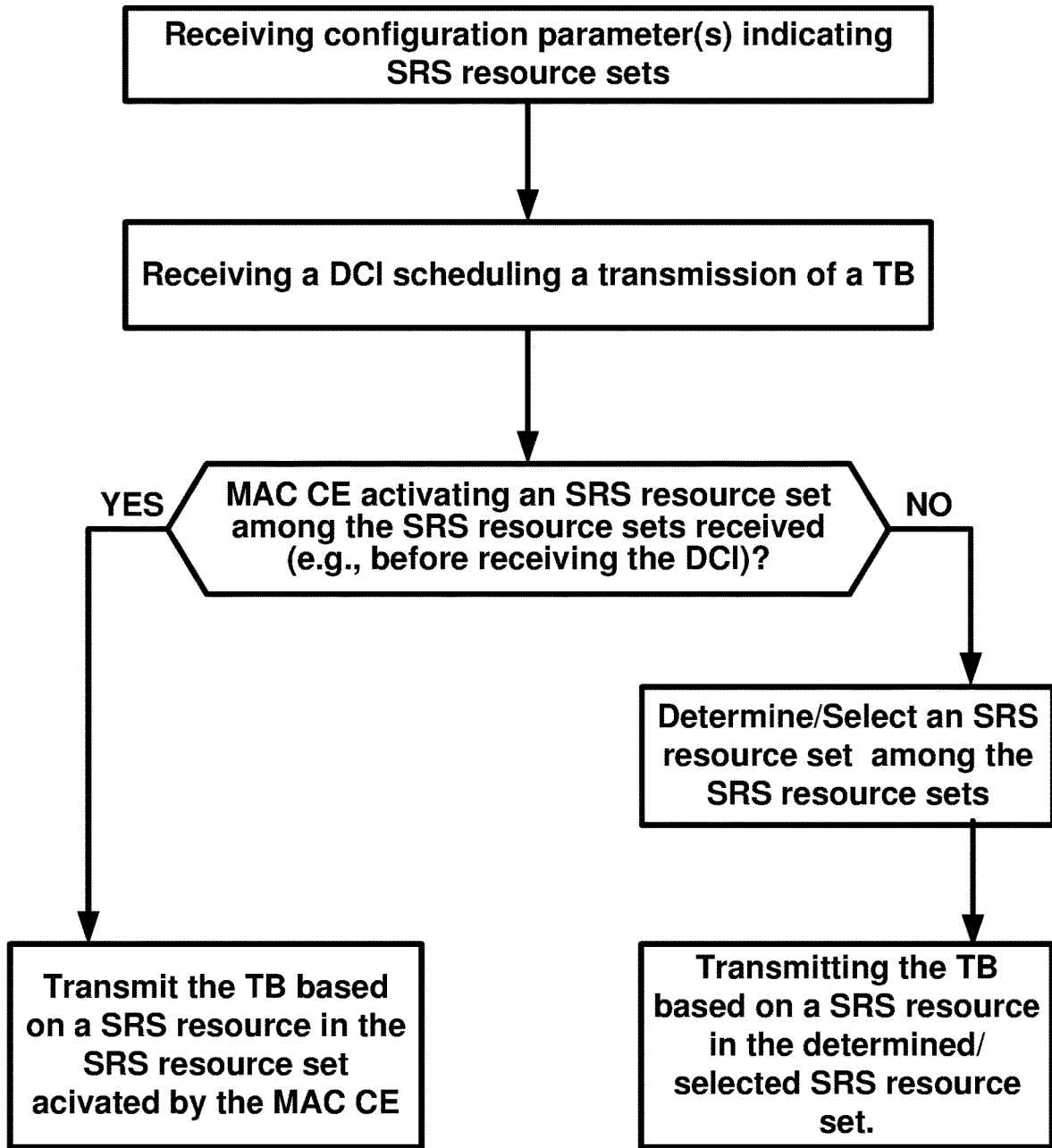


FIG. 24

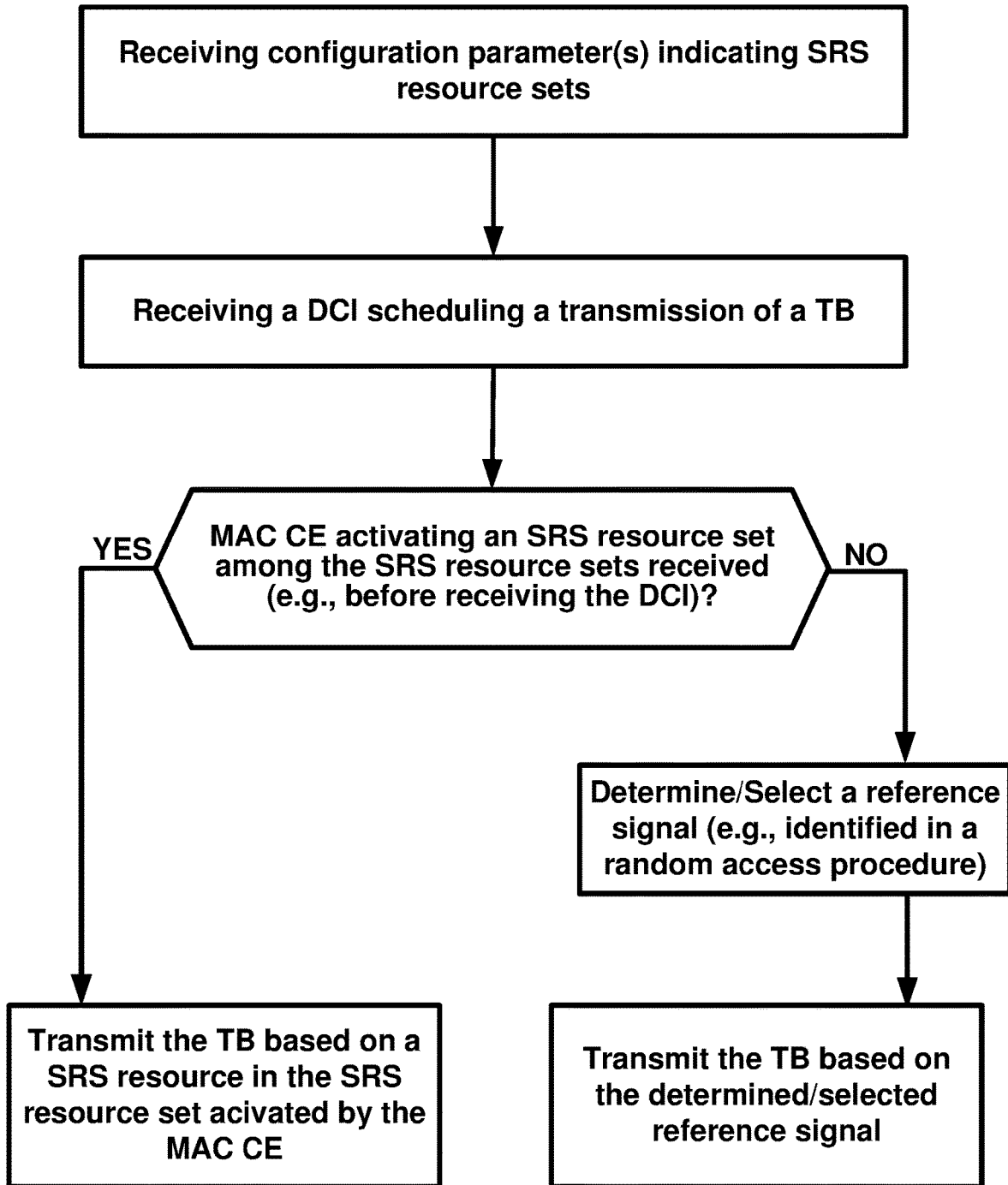


FIG. 25

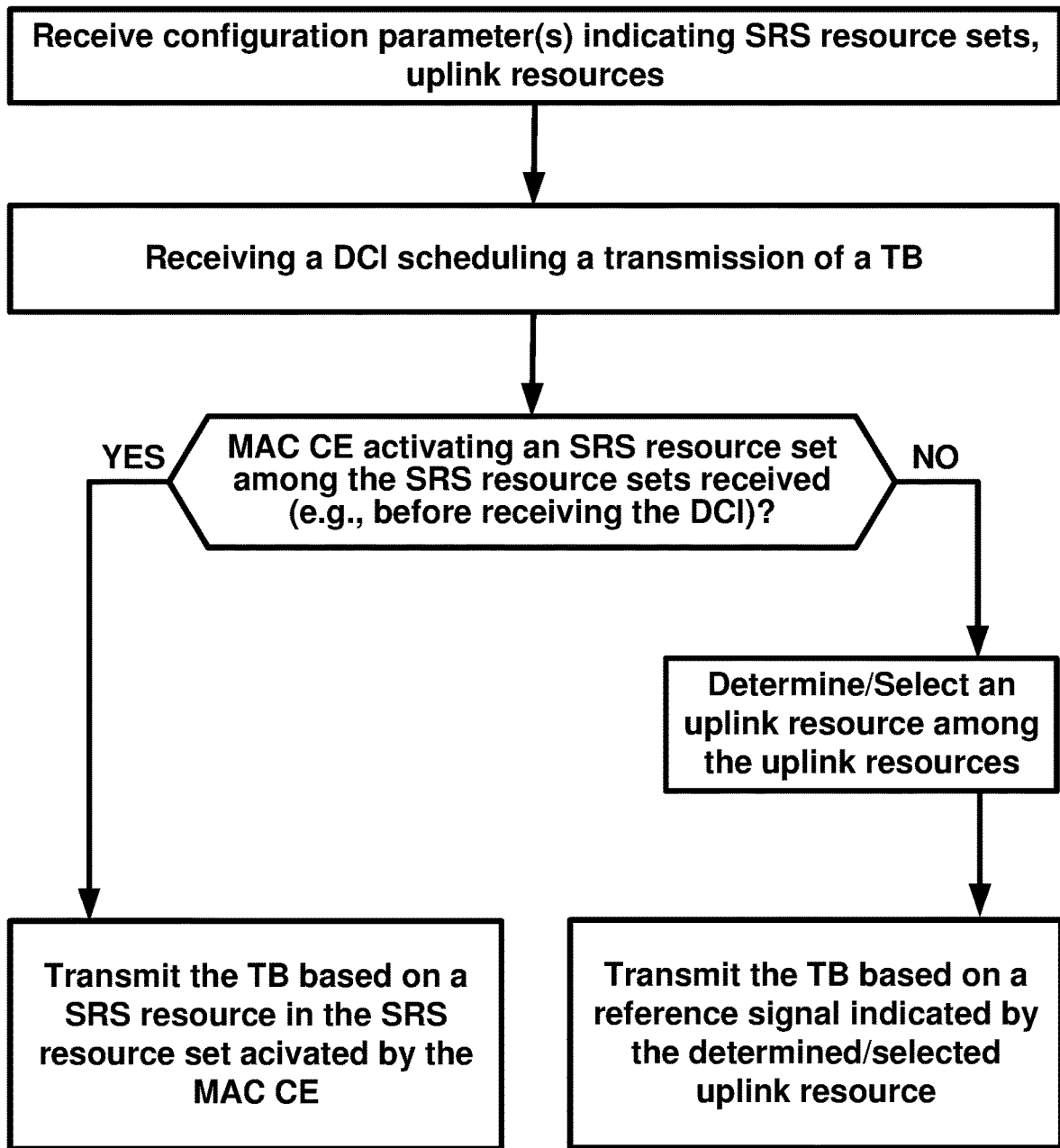


FIG. 26

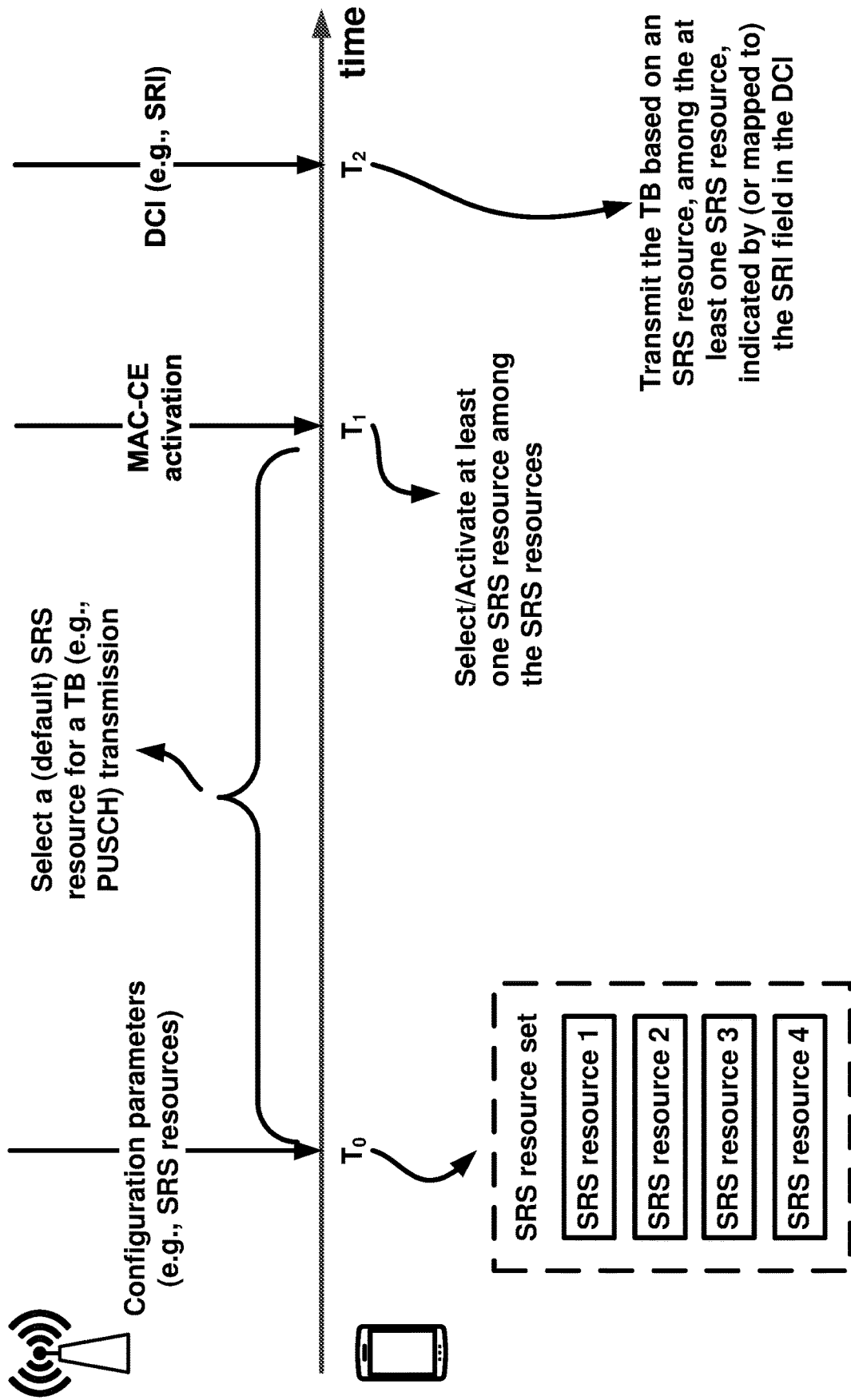


FIG. 27

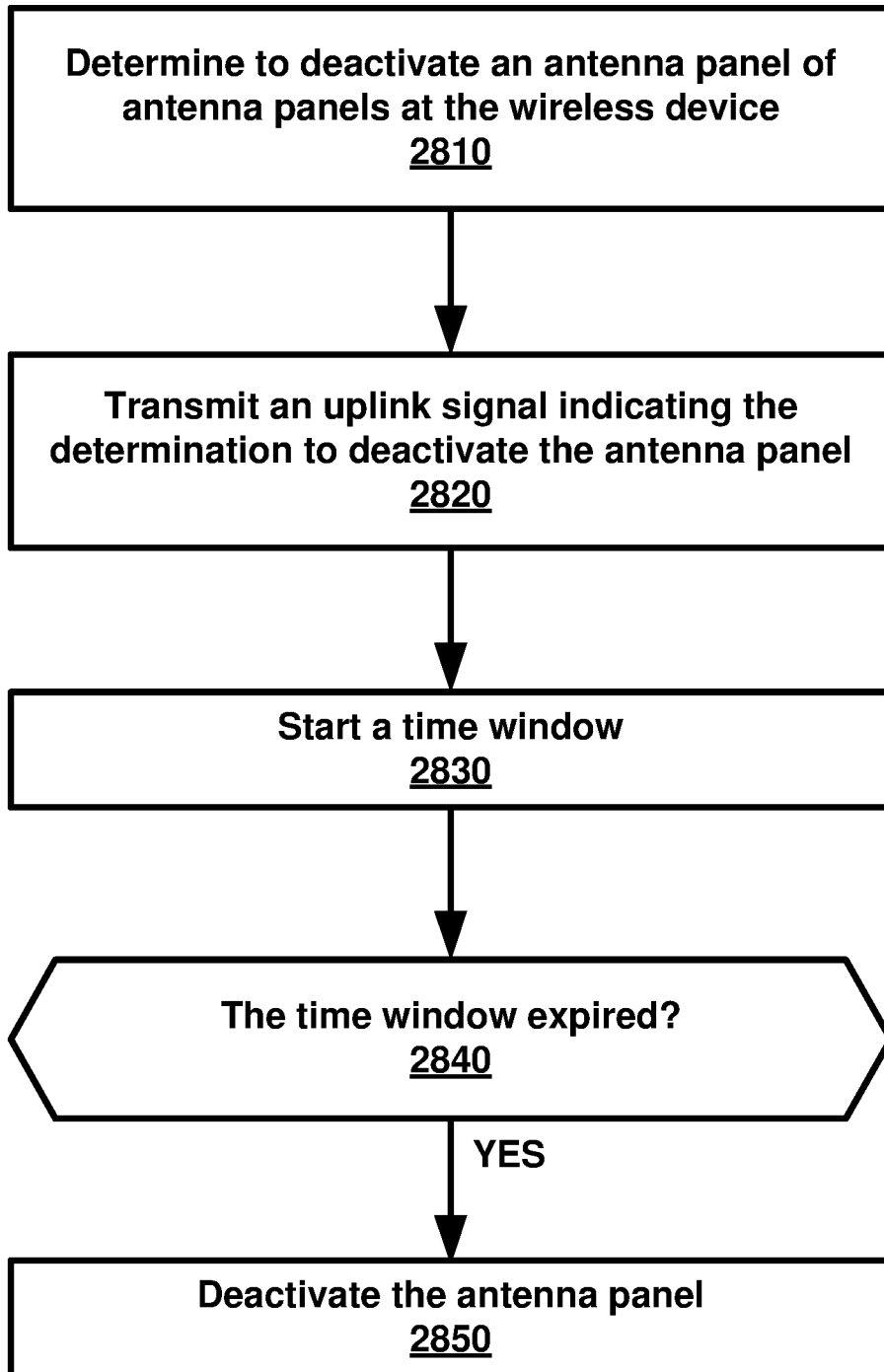


FIG. 28

ANTENNA PANEL ACTIVATION/DEACTIVATION

CROSS-REFERENCE TO RELATED APPLICATIONS

[0001] This application claims the benefit of U.S. Provisional Application No. 62/887,535, filed Aug. 15, 2019, which is hereby incorporated by reference in its entirety.

BRIEF DESCRIPTION OF THE DRAWINGS

[0002] Examples of several of the various embodiments of the present disclosure are described herein with reference to the drawings.

[0003] FIG. 1A and FIG. 1B illustrate example mobile communication networks in which embodiments of the present disclosure may be implemented.

[0004] FIG. 2A and FIG. 2B respectively illustrate a New Radio (NR) user plane and control plane protocol stack.

[0005] FIG. 3 illustrates an example of services provided between protocol layers of the NR user plane protocol stack of FIG. 2A.

[0006] FIG. 4A illustrates an example downlink data flow through the NR user plane protocol stack of FIG. 2A.

[0007] FIG. 4B illustrates an example format of a MAC subheader in a MAC PDU.

[0008] FIG. 5A and FIG. 5B respectively illustrate a mapping between logical channels, transport channels, and physical channels for the downlink and uplink.

[0009] FIG. 6 is an example diagram showing RRC state transitions of a UE.

[0010] FIG. 7 illustrates an example configuration of an NR frame into which OFDM symbols are grouped.

[0011] FIG. 8 illustrates an example configuration of a slot in the time and frequency domain for an NR carrier.

[0012] FIG. 9 illustrates an example of bandwidth adaptation using three configured BWPs for an NR carrier.

[0013] FIG. 10A illustrates three carrier aggregation configurations with two component carriers.

[0014] FIG. 10B illustrates an example of how aggregated cells may be configured into one or more PUCCH groups.

[0015] FIG. 11A illustrates an example of an SS/PBCH block structure and location.

[0016] FIG. 11B illustrates an example of CSI-RSs that are mapped in the time and frequency domains.

[0017] FIG. 12A and FIG. 12B respectively illustrate examples of three downlink and uplink beam management procedures.

[0018] FIG. 13A, FIG. 13B, and FIG. 13C respectively illustrate a four-step contention-based random access procedure, a two-step contention-free random access procedure, and another two-step random access procedure.

[0019] FIG. 14A illustrates an example of CORESET configurations for a bandwidth part.

[0020] FIG. 14B illustrates an example of a CCE-to-REG mapping for DCI transmission on a CORESET and PDCCH processing.

[0021] FIG. 15 illustrates an example of a wireless device in communication with a base station.

[0022] FIG. 16A, FIG. 16B, FIG. 16C, and FIG. 16D illustrate example structures for uplink and downlink transmission.

[0023] FIG. 17 is a diagram illustrating an antenna panel activation/deactivation as per an aspect of an embodiment of the present disclosure.

[0024] FIG. 18 is a diagram illustrating an antenna panel activation/deactivation as per an aspect of an embodiment of the present disclosure.

[0025] FIG. 19 is a diagram illustrating an antenna panel activation/deactivation as per an aspect of an embodiment of the present disclosure.

[0026] FIG. 20 is a diagram illustrating an antenna panel activation/deactivation as per an aspect of an embodiment of the present disclosure.

[0027] FIG. 21 is a diagram illustrating an antenna panel activation/deactivation as per an aspect of an embodiment of the present disclosure.

[0028] FIG. 22 is a diagram illustrating an antenna panel activation/deactivation as per an aspect of an embodiment of the present disclosure.

[0029] FIG. 23 is a flow diagram illustrating a reference signal determination as per an aspect of an embodiment of the present disclosure.

[0030] FIG. 24 is a flow diagram illustrating a reference signal determination as per an aspect of an embodiment of the present disclosure.

[0031] FIG. 25 is a flow diagram illustrating a reference signal determination as per an aspect of an embodiment of the present disclosure.

[0032] FIG. 26 is a flow diagram illustrating a reference signal determination as per an aspect of an embodiment of the present disclosure.

[0033] FIG. 27 illustrates an example of a reference signal determination as per an aspect of an embodiment of the present disclosure.

[0034] FIG. 28 is a flow diagram of an aspect of an example embodiment of the present disclosure.

DETAILED DESCRIPTION

[0035] In the present disclosure, various embodiments are presented as examples of how the disclosed techniques may be implemented and/or how the disclosed techniques may be practiced in environments and scenarios. It will be apparent to persons skilled in the relevant art that various changes in form and detail can be made therein without departing from the scope. In fact, after reading the description, it will be apparent to one skilled in the relevant art how to implement alternative embodiments. The present embodiments should not be limited by any of the described exemplary embodiments. The embodiments of the present disclosure will be described with reference to the accompanying drawings. Limitations, features, and/or elements from the disclosed example embodiments may be combined to create further embodiments within the scope of the disclosure. Any figures which highlight the functionality and advantages, are presented for example purposes only. The disclosed architecture is sufficiently flexible and configurable, such that it may be utilized in ways other than that shown. For example, the actions listed in any flowchart may be re-ordered or only optionally used in some embodiments.

[0036] Embodiments may be configured to operate as needed. The disclosed mechanism may be performed when certain criteria are met, for example, in a wireless device, a base station, a radio environment, a network, a combination of the above, and/or the like. Example criteria may be based, at least in part, on for example, wireless device or network

node configurations, traffic load, initial system set up, packet sizes, traffic characteristics, a combination of the above, and/or the like. When the one or more criteria are met, various example embodiments may be applied. Therefore, it may be possible to implement example embodiments that selectively implement disclosed protocols.

[0037] A base station may communicate with a mix of wireless devices. Wireless devices and/or base stations may support multiple technologies, and/or multiple releases of the same technology. Wireless devices may have some specific capability(ies) depending on wireless device category and/or capability(ies). When this disclosure refers to a base station communicating with a plurality of wireless devices, this disclosure may refer to a subset of the total wireless devices in a coverage area. This disclosure may refer to, for example, a plurality of wireless devices of a given LTE or 5G release with a given capability and in a given sector of the base station. The plurality of wireless devices in this disclosure may refer to a selected plurality of wireless devices, and/or a subset of total wireless devices in a coverage area which perform according to disclosed methods, and/or the like. There may be a plurality of base stations or a plurality of wireless devices in a coverage area that may not comply with the disclosed methods, for example, those wireless devices or base stations may perform based on older releases of LTE or 5G technology.

[0038] In this disclosure, “a” and “an” and similar phrases are to be interpreted as “at least one” and “one or more.” Similarly, any term that ends with the suffix “(s)” is to be interpreted as “at least one” and “one or more.” In this disclosure, the term “may” is to be interpreted as “may, for example.” In other words, the term “may” is indicative that the phrase following the term “may” is an example of one of a multitude of suitable possibilities that may, or may not, be employed by one or more of the various embodiments. The terms “comprises” and “consists of”, as used herein, enumerate one or more components of the element being described. The term “comprises” is interchangeable with “includes” and does not exclude unenumerated components from being included in the element being described. By contrast, “consists of” provides a complete enumeration of the one or more components of the element being described. The term “based on”, as used herein, should be interpreted as “based at least in part on” rather than, for example, “based solely on”. The term “and/or” as used herein represents any possible combination of enumerated elements. For example, “A, B, and/or C” may represent A; B; C; A and B; A and C; B and C; or A, B, and C.

[0039] If A and B are sets and every element of A is an element of B, A is called a subset of B. In this specification, only non-empty sets and subsets are considered. For example, possible subsets of $B = \{\text{cell1}, \text{cell2}\}$ are: $\{\text{cell1}\}$, $\{\text{cell2}\}$, and $\{\text{cell1}, \text{cell2}\}$. The phrase “based on” (or equally “based at least on”) is indicative that the phrase following the term “based on” is an example of one of a multitude of suitable possibilities that may, or may not, be employed to one or more of the various embodiments. The phrase “in response to” (or equally “in response at least to”) is indicative that the phrase following the phrase “in response to” is an example of one of a multitude of suitable possibilities that may, or may not, be employed to one or more of the various embodiments. The phrase “depending on” (or equally “depending at least to”) is indicative that the phrase following the phrase “depending on” is an example

of one of a multitude of suitable possibilities that may, or may not, be employed to one or more of the various embodiments. The phrase “employing/using” (or equally “employing/using at least”) is indicative that the phrase following the phrase “employing/using” is an example of one of a multitude of suitable possibilities that may, or may not, be employed to one or more of the various embodiments.

[0040] The term configured may relate to the capacity of a device whether the device is in an operational or non-operational state. Configured may refer to specific settings in a device that effect the operational characteristics of the device whether the device is in an operational or non-operational state. In other words, the hardware, software, firmware, registers, memory values, and/or the like may be “configured” within a device, whether the device is in an operational or nonoperational state, to provide the device with specific characteristics. Terms such as “a control message to cause in a device” may mean that a control message has parameters that may be used to configure specific characteristics or may be used to implement certain actions in the device, whether the device is in an operational or non-operational state.

[0041] In this disclosure, parameters (or equally called, fields, or Information elements: IEs) may comprise one or more information objects, and an information object may comprise one or more other objects. For example, if parameter (IE) N comprises parameter (IE) M, and parameter (IE) M comprises parameter (IE) K, and parameter (IE) K comprises parameter (information element) J. Then, for example, N comprises K, and N comprises J. In an example embodiment, when one or more messages comprise a plurality of parameters, it implies that a parameter in the plurality of parameters is in at least one of the one or more messages, but does not have to be in each of the one or more messages.

[0042] Many features presented are described as being optional through the use of “may” or the use of parentheses. For the sake of brevity and legibility, the present disclosure does not explicitly recite each and every permutation that may be obtained by choosing from the set of optional features. The present disclosure is to be interpreted as explicitly disclosing all such permutations. For example, a system described as having three optional features may be embodied in seven ways, namely with just one of the three possible features, with any two of the three possible features or with three of the three possible features.

[0043] Many of the elements described in the disclosed embodiments may be implemented as modules. A module is defined here as an element that performs a defined function and has a defined interface to other elements. The modules described in this disclosure may be implemented in hardware, software in combination with hardware, firmware, wetware (e.g. hardware with a biological element) or a combination thereof, which may be behaviorally equivalent. For example, modules may be implemented as a software routine written in a computer language configured to be executed by a hardware machine (such as C, C++, Fortran, Java, Basic, Matlab or the like) or a modeling/simulation program such as Simulink, Stateflow, GNU Octave, or Lab VIEWMathScript. It may be possible to implement modules using physical hardware that incorporates discrete or programmable analog, digital and/or quantum hardware. Examples of programmable hardware comprise: computers,

microcontrollers, microprocessors, application-specific integrated circuits (ASICs); field programmable gate arrays (FPGAs); and complex programmable logic devices (CPLDs). Computers, microcontrollers and microprocessors are programmed using languages such as assembly, C, C++ or the like. FPGAs, ASICs and CPLDs are often programmed using hardware description languages (HDL) such as VHSIC hardware description language (VHDL) or Verilog that configure connections between internal hardware modules with lesser functionality on a programmable device. The mentioned technologies are often used in combination to achieve the result of a functional module.

[0044] FIG. 1A illustrates an example of a mobile communication network **100** in which embodiments of the present disclosure may be implemented. The mobile communication network **100** may be, for example, a public land mobile network (PLMN) run by a network operator. As illustrated in FIG. 1A, the mobile communication network **100** includes a core network (CN) **102**, a radio access network (RAN) **104**, and a wireless device **106**.

[0045] The CN **102** may provide the wireless device **106** with an interface to one or more data networks (DNs), such as public DNs (e.g., the Internet), private DNs, and/or intra-operator DNs. As part of the interface functionality, the CN **102** may set up end-to-end connections between the wireless device **106** and the one or more DNs, authenticate the wireless device **106**, and provide charging functionality.

[0046] The RAN **104** may connect the CN **102** to the wireless device **106** through radio communications over an air interface. As part of the radio communications, the RAN **104** may provide scheduling, radio resource management, and retransmission protocols. The communication direction from the RAN **104** to the wireless device **106** over the air interface is known as the downlink and the communication direction from the wireless device **106** to the RAN **104** over the air interface is known as the uplink. Downlink transmissions may be separated from uplink transmissions using frequency division duplexing (FDD), time-division duplexing (TDD), and/or some combination of the two duplexing techniques.

[0047] The term wireless device may be used throughout this disclosure to refer to and encompass any mobile device or fixed (non-mobile) device for which wireless communication is needed or usable. For example, a wireless device may be a telephone, smart phone, tablet, computer, laptop, sensor, meter, wearable device, Internet of Things (IoT) device, vehicle road side unit (RSU), relay node, automobile, and/or any combination thereof. The term wireless device encompasses other terminology, including user equipment (UE), user terminal (UT), access terminal (AT), mobile station, handset, wireless transmit and receive unit (WTRU), and/or wireless communication device.

[0048] The RAN **104** may include one or more base stations (not shown). The term base station may be used throughout this disclosure to refer to and encompass a Node B (associated with UMTS and/or 3G standards), an Evolved Node B (eNB, associated with E-UTRA and/or 4G standards), a remote radio head (RRH), a baseband processing unit coupled to one or more RRHs, a repeater node or relay node used to extend the coverage area of a donor node, a Next Generation Evolved Node B (ng-eNB), a Generation Node B (gNB, associated with NR and/or 5G standards), an access point (AP, associated with, for example, WiFi or any other suitable wireless communication standard), and/or any

combination thereof. A base station may comprise at least one gNB Central Unit (gNB-CU) and at least one a gNB Distributed Unit (gNB-DU).

[0049] A base station included in the RAN **104** may include one or more sets of antennas for communicating with the wireless device **106** over the air interface. For example, one or more of the base stations may include three sets of antennas to respectively control three cells (or sectors). The size of a cell may be determined by a range at which a receiver (e.g., a base station receiver) can successfully receive the transmissions from a transmitter (e.g., a wireless device transmitter) operating in the cell. Together, the cells of the base stations may provide radio coverage to the wireless device **106** over a wide geographic area to support wireless device mobility.

[0050] In addition to three-sector sites, other implementations of base stations are possible. For example, one or more of the base stations in the RAN **104** may be implemented as a sectored site with more or less than three sectors. One or more of the base stations in the RAN **104** may be implemented as an access point, as a baseband processing unit coupled to several remote radio heads (RRHs), and/or as a repeater or relay node used to extend the coverage area of a donor node. A baseband processing unit coupled to RRHs may be part of a centralized or cloud RAN architecture, where the baseband processing unit may be either centralized in a pool of baseband processing units or virtualized. A repeater node may amplify and rebroadcast a radio signal received from a donor node. A relay node may perform the same/similar functions as a repeater node but may decode the radio signal received from the donor node to remove noise before amplifying and rebroadcasting the radio signal.

[0051] The RAN **104** may be deployed as a homogenous network of macrocell base stations that have similar antenna patterns and similar high-level transmit powers. The RAN **104** may be deployed as a heterogeneous network. In heterogeneous networks, small cell base stations may be used to provide small coverage areas, for example, coverage areas that overlap with the comparatively larger coverage areas provided by macrocell base stations. The small coverage areas may be provided in areas with high data traffic (or so-called “hotspots”) or in areas with weak macrocell coverage. Examples of small cell base stations include, in order of decreasing coverage area, microcell base stations, picocell base stations, and femtocell base stations or home base stations.

[0052] The Third-Generation Partnership Project (3GPP) was formed in 1998 to provide global standardization of specifications for mobile communication networks similar to the mobile communication network **100** in FIG. 1A. To date, 3GPP has produced specifications for three generations of mobile networks: a third generation (3G) network known as Universal Mobile Telecommunications System (UMTS), a fourth generation (4G) network known as Long-Term Evolution (LTE), and a fifth generation (5G) network known as 5G System (5GS). Embodiments of the present disclosure are described with reference to the RAN of a 3GPP 5G network, referred to as next-generation RAN (NG-RAN). Embodiments may be applicable to RANs of other mobile communication networks, such as the RAN **104** in FIG. 1A, the RANs of earlier 3G and 4G networks, and those of future networks yet to be specified (e.g., a 3GPP 6G network). NG-RAN implements 5G radio access technology known as

New Radio (NR) and may be provisioned to implement 4G radio access technology or other radio access technologies, including non-3GPP radio access technologies.

[0053] FIG. 1B illustrates another example mobile communication network 150 in which embodiments of the present disclosure may be implemented. Mobile communication network 150 may be, for example, a PLMN run by a network operator. As illustrated in FIG. 1B, mobile communication network 150 includes a 5G core network (5G-CN) 152, an NG-RAN 154, and UEs 156A and 156B (collectively UEs 156). These components may be implemented and operate in the same or similar manner as corresponding components described with respect to FIG. 1A.

[0054] The 5G-CN 152 provides the UEs 156 with an interface to one or more DNs, such as public DNs (e.g., the Internet), private DNs, and/or intra-operator DNs. As part of the interface functionality, the 5G-CN 152 may set up end-to-end connections between the UEs 156 and the one or more DNs, authenticate the UEs 156, and provide charging functionality. Compared to the CN of a 3GPP 4G network, the basis of the 5G-CN 152 may be a service-based architecture. This means that the architecture of the nodes making up the 5G-CN 152 may be defined as network functions that offer services via interfaces to other network functions. The network functions of the 5G-CN 152 may be implemented in several ways, including as network elements on dedicated or shared hardware, as software instances running on dedicated or shared hardware, or as virtualized functions instantiated on a platform (e.g., a cloud-based platform).

[0055] As illustrated in FIG. 1B, the 5G-CN 152 includes an Access and Mobility Management Function (AMF) 158A and a User Plane Function (UPF) 158B, which are shown as one component AMF/UPF 158 in FIG. 1B for ease of illustration. The UPF 158B may serve as a gateway between the NG-RAN 154 and the one or more DNs. The UPF 158B may perform functions such as packet routing and forwarding, packet inspection and user plane policy rule enforcement, traffic usage reporting, uplink classification to support routing of traffic flows to the one or more DNs, quality of service (QoS) handling for the user plane (e.g., packet filtering, gating, uplink/downlink rate enforcement, and uplink traffic verification), downlink packet buffering, and downlink data notification triggering. The UPF 158B may serve as an anchor point for intra-/inter-Radio Access Technology (RAT) mobility, an external protocol (or packet) data unit (PDU) session point of interconnect to the one or more DNs, and/or a branching point to support a multi-homed PDU session. The UEs 156 may be configured to receive services through a PDU session, which is a logical connection between a UE and a DN.

[0056] The AMF 158A may perform functions such as Non-Access Stratum (NAS) signaling termination, NAS signaling security, Access Stratum (AS) security control, inter-CN node signaling for mobility between 3GPP access networks, idle mode UE reachability (e.g., control and execution of paging retransmission), registration area management, intra-system and inter-system mobility support, access authentication, access authorization including checking of roaming rights, mobility management control (subscription and policies), network slicing support, and/or session management function (SMF) selection. NAS may refer

to the functionality operating between a CN and a UE, and AS may refer to the functionality operating between the UE and a RAN.

[0057] The 5G-CN 152 may include one or more additional network functions that are not shown in FIG. 1B for the sake of clarity. For example, the 5G-CN 152 may include one or more of a Session Management Function (SMF), an NR Repository Function (NRF), a Policy Control Function (PCF), a Network Exposure Function (NEF), a Unified Data Management (UDM), an Application Function (AF), and/or an Authentication Server Function (AUSF).

[0058] The NG-RAN 154 may connect the 5G-CN 152 to the UEs 156 through radio communications over the air interface. The NG-RAN 154 may include one or more gNBs, illustrated as gNB 160A and gNB 160B (collectively gNBs 160) and/or one or more ng-eNBs, illustrated as ng-eNB 162A and ng-eNB 162B (collectively ng-eNBs 162). The gNBs 160 and ng-eNBs 162 may be more generically referred to as base stations. The gNBs 160 and ng-eNBs 162 may include one or more sets of antennas for communicating with the UEs 156 over an air interface. For example, one or more of the gNBs 160 and/or one or more of the ng-eNBs 162 may include three sets of antennas to respectively control three cells (or sectors). Together, the cells of the gNBs 160 and the ng-eNBs 162 may provide radio coverage to the UEs 156 over a wide geographic area to support UE mobility.

[0059] As shown in FIG. 1B, the gNBs 160 and/or the ng-eNBs 162 may be connected to the 5G-CN 152 by means of an NG interface and to other base stations by an Xn interface. The NG and Xn interfaces may be established using direct physical connections and/or indirect connections over an underlying transport network, such as an internet protocol (IP) transport network. The gNBs 160 and/or the ng-eNBs 162 may be connected to the UEs 156 by means of a Uu interface. For example, as illustrated in FIG. 1B, gNB 160A may be connected to the UE 156A by means of a Uu interface. The NG, Xn, and Uu interfaces are associated with a protocol stack. The protocol stacks associated with the interfaces may be used by the network elements in FIG. 1B to exchange data and signaling messages and may include two planes: a user plane and a control plane. The user plane may handle data of interest to a user. The control plane may handle signaling messages of interest to the network elements.

[0060] The gNBs 160 and/or the ng-eNBs 162 may be connected to one or more AMF/UPF functions of the 5G-CN 152, such as the AMF/UPF 158, by means of one or more NG interfaces. For example, the gNB 160A may be connected to the UPF 158B of the AMF/UPF 158 by means of an NG-User plane (NG-U) interface. The NG-U interface may provide delivery (e.g., non-guaranteed delivery) of user plane PDUs between the gNB 160A and the UPF 158B. The gNB 160A may be connected to the AMF 158A by means of an NG-Control plane (NG-C) interface. The NG-C interface may provide, for example, NG interface management, UE context management, UE mobility management, transport of NAS messages, paging, PDU session management, and configuration transfer and/or warning message transmission.

[0061] The gNBs 160 may provide NR user plane and control plane protocol terminations towards the UEs 156 over the Uu interface. For example, the gNB 160A may provide NR user plane and control plane protocol terminations toward the UE 156A over a Uu interface associated

with a first protocol stack. The ng-eNBs 162 may provide Evolved UMTS Terrestrial Radio Access (E-UTRA) user plane and control plane protocol terminations towards the UEs 156 over a Uu interface, where E-UTRA refers to the 3GPP 4G radio-access technology. For example, the ng-eNB 162B may provide E-UTRA user plane and control plane protocol terminations towards the UE 156B over a Uu interface associated with a second protocol stack.

[0062] The 5G-CN 152 was described as being configured to handle NR and 4G radio accesses. It will be appreciated by one of ordinary skill in the art that it may be possible for NR to connect to a 4G core network in a mode known as “non-standalone operation.” In non-standalone operation, a 4G core network is used to provide (or at least support) control-plane functionality (e.g., initial access, mobility, and paging). Although only one AMF/UPF 158 is shown in FIG. 1B, one gNB or ng-eNB may be connected to multiple AMF/UPF nodes to provide redundancy and/or to load share across the multiple AMF/UPF nodes.

[0063] As discussed, an interface (e.g., Uu, Xn, and NG interfaces) between the network elements in FIG. 1B may be associated with a protocol stack that the network elements use to exchange data and signaling messages. A protocol stack may include two planes: a user plane and a control plane. The user plane may handle data of interest to a user, and the control plane may handle signaling messages of interest to the network elements.

[0064] FIG. 2A and FIG. 2B respectively illustrate examples of NR user plane and NR control plane protocol stacks for the Uu interface that lies between a UE 210 and a gNB 220. The protocol stacks illustrated in FIG. 2A and FIG. 2B may be the same or similar to those used for the Uu interface between, for example, the UE 156A and the gNB 160A shown in FIG. 1B.

[0065] FIG. 2A illustrates a NR user plane protocol stack comprising five layers implemented in the UE 210 and the gNB 220. At the bottom of the protocol stack, physical layers (PHYs) 211 and 221 may provide transport services to the higher layers of the protocol stack and may correspond to layer 1 of the Open Systems Interconnection (OSI) model. The next four protocols above PHYs 211 and 221 comprise media access control layers (MACs) 212 and 222, radio link control layers (RLCs) 213 and 223, packet data convergence protocol layers (PDCPs) 214 and 224, and service data application protocol layers (SDAPs) 215 and 225. Together, these four protocols may make up layer 2, or the data link layer, of the OSI model.

[0066] FIG. 3 illustrates an example of services provided between protocol layers of the NR user plane protocol stack. Starting from the top of FIG. 2A and FIG. 3, the SDAPs 215 and 225 may perform QoS flow handling. The UE 210 may receive services through a PDU session, which may be a logical connection between the UE 210 and a DN. The PDU session may have one or more QoS flows. A UPF of a CN (e.g., the UPF 158B) may map IP packets to the one or more QoS flows of the PDU session based on QoS requirements (e.g., in terms of delay, data rate, and/or error rate). The SDAPs 215 and 225 may perform mapping/de-mapping between the one or more QoS flows and one or more data radio bearers. The mapping/de-mapping between the QoS flows and the data radio bearers may be determined by the SDAP 225 at the gNB 220. The SDAP 215 at the UE 210 may be informed of the mapping between the QoS flows and the data radio bearers through reflective mapping or control

signaling received from the gNB 220. For reflective mapping, the SDAP 225 at the gNB 220 may mark the downlink packets with a QoS flow indicator (QFI), which may be observed by the SDAP 215 at the UE 210 to determine the mapping/de-mapping between the QoS flows and the data radio bearers.

[0067] The PDCPs 214 and 224 may perform header compression/decompression to reduce the amount of data that needs to be transmitted over the air interface, ciphering/deciphering to prevent unauthorized decoding of data transmitted over the air interface, and integrity protection (to ensure control messages originate from intended sources). The PDCPs 214 and 224 may perform retransmissions of undelivered packets, in-sequence delivery and reordering of packets, and removal of packets received in duplicate due to, for example, an intra-gNB handover. The PDCPs 214 and 224 may perform packet duplication to improve the likelihood of the packet being received and, at the receiver, remove any duplicate packets. Packet duplication may be useful for services that require high reliability.

[0068] Although not shown in FIG. 3, PDCPs 214 and 224 may perform mapping/de-mapping between a split radio bearer and RLC channels in a dual connectivity scenario. Dual connectivity is a technique that allows a UE to connect to two cells or, more generally, two cell groups: a master cell group (MCG) and a secondary cell group (SCG). A split bearer is when a single radio bearer, such as one of the radio bearers provided by the PDCPs 214 and 224 as a service to the SDAPs 215 and 225, is handled by cell groups in dual connectivity. The PDCPs 214 and 224 may map/de-map the split radio bearer between RLC channels belonging to cell groups.

[0069] The RLCs 213 and 223 may perform segmentation, retransmission through Automatic Repeat Request (ARQ), and removal of duplicate data units received from MACs 212 and 222, respectively. The RLCs 213 and 223 may support three transmission modes: transparent mode (TM); unacknowledged mode (UM); and acknowledged mode (AM). Based on the transmission mode an RLC is operating, the RLC may perform one or more of the noted functions. The RLC configuration may be per logical channel with no dependency on numerologies and/or Transmission Time Interval (TTI) durations. As shown in FIG. 3, the RLCs 213 and 223 may provide RLC channels as a service to PDCPs 214 and 224, respectively.

[0070] The MACs 212 and 222 may perform multiplexing/demultiplexing of logical channels and/or mapping between logical channels and transport channels. The multiplexing/demultiplexing may include multiplexing/demultiplexing of data units, belonging to the one or more logical channels, into/from Transport Blocks (TBs) delivered to/from the PHYs 211 and 221. The MAC 222 may be configured to perform scheduling, scheduling information reporting, and priority handling between UEs by means of dynamic scheduling. Scheduling may be performed in the gNB 220 (at the MAC 222) for downlink and uplink. The MACs 212 and 222 may be configured to perform error correction through Hybrid Automatic Repeat Request (HARQ) (e.g., one HARQ entity per carrier in case of Carrier Aggregation (CA)), priority handling between logical channels of the UE 210 by means of logical channel prioritization, and/or padding. The MACs 212 and 222 may support one or more numerologies and/or transmission timings. In an example, mapping restrictions in a logical

channel prioritization may control which numerology and/or transmission timing a logical channel may use. As shown in FIG. 3, the MACs 212 and 222 may provide logical channels as a service to the RLCs 213 and 223.

[0071] The PHYs 211 and 221 may perform mapping of transport channels to physical channels and digital and analog signal processing functions for sending and receiving information over the air interface. These digital and analog signal processing functions may include, for example, coding/decoding and modulation/demodulation. The PHYs 211 and 221 may perform multi-antenna mapping. As shown in FIG. 3, the PHYs 211 and 221 may provide one or more transport channels as a service to the MACs 212 and 222.

[0072] FIG. 4A illustrates an example downlink data flow through the NR user plane protocol stack. FIG. 4A illustrates a downlink data flow of three IP packets (n, n+1, and m) through the NR user plane protocol stack to generate two TBs at the gNB 220. An uplink data flow through the NR user plane protocol stack may be similar to the downlink data flow depicted in FIG. 4A.

[0073] The downlink data flow of FIG. 4A begins when SDAP 225 receives the three IP packets from one or more QoS flows and maps the three packets to radio bearers. In FIG. 4A, the SDAP 225 maps IP packets n and n+1 to a first radio bearer 402 and maps IP packet m to a second radio bearer 404. An SDAP header (labeled with an "H" in FIG. 4A) is added to an IP packet. The data unit from/to a higher protocol layer is referred to as a service data unit (SDU) of the lower protocol layer and the data unit to/from a lower protocol layer is referred to as a protocol data unit (PDU) of the higher protocol layer. As shown in FIG. 4A, the data unit from the SDAP 225 is an SDU of lower protocol layer PDCP 224 and is a PDU of the SDAP 225.

[0074] The remaining protocol layers in FIG. 4A may perform their associated functionality (e.g., with respect to FIG. 3), add corresponding headers, and forward their respective outputs to the next lower layer. For example, the PDCP 224 may perform IP-header compression and ciphering and forward its output to the RLC 223. The RLC 223 may optionally perform segmentation (e.g., as shown for IP packet m in FIG. 4A) and forward its output to the MAC 222. The MAC 222 may multiplex a number of RLC PDUs and may attach a MAC subheader to an RLC PDU to form a transport block. In NR, the MAC subheaders may be distributed across the MAC PDU, as illustrated in FIG. 4A. In LTE, the MAC subheaders may be entirely located at the beginning of the MAC PDU. The NR MAC PDU structure may reduce processing time and associated latency because the MAC PDU subheaders may be computed before the full MAC PDU is assembled.

[0075] FIG. 4B illustrates an example format of a MAC subheader in a MAC PDU. The MAC subheader includes: an SDU length field for indicating the length (e.g., in bytes) of the MAC SDU to which the MAC subheader corresponds; a logical channel identifier (LCID) field for identifying the logical channel from which the MAC SDU originated to aid in the demultiplexing process; a flag (F) for indicating the size of the SDU length field; and a reserved bit (R) field for future use.

[0076] FIG. 4B further illustrates MAC control elements (CEs) inserted into the MAC PDU by a MAC, such as MAC 223 or MAC 222. For example, FIG. 4B illustrates two MAC CEs inserted into the MAC PDU. MAC CEs may be inserted at the beginning of a MAC PDU for downlink

transmissions (as shown in FIG. 4B) and at the end of a MAC PDU for uplink transmissions. MAC CEs may be used for in-band control signaling. Example MAC CEs include: scheduling-related MAC CEs, such as buffer status reports and power headroom reports; activation/deactivation MAC CEs, such as those for activation/deactivation of PDCP duplication detection, channel state information (CSI) reporting, sounding reference signal (SRS) transmission, and prior configured components; discontinuous reception (DRX) related MAC CEs; timing advance MAC CEs; and random access related MAC CEs. A MAC CE may be preceded by a MAC subheader with a similar format as described for MAC SDUs and may be identified with a reserved value in the LCID field that indicates the type of control information included in the MAC CE.

[0077] Before describing the NR control plane protocol stack, logical channels, transport channels, and physical channels are first described as well as a mapping between the channel types. One or more of the channels may be used to carry out functions associated with the NR control plane protocol stack described later below.

[0078] FIG. 5A and FIG. 5B illustrate, for downlink and uplink respectively, a mapping between logical channels, transport channels, and physical channels. Information is passed through channels between the RLC, the MAC, and the PHY of the NR protocol stack. A logical channel may be used between the RLC and the MAC and may be classified as a control channel that carries control and configuration information in the NR control plane or as a traffic channel that carries data in the NR user plane. A logical channel may be classified as a dedicated logical channel that is dedicated to a specific UE or as a common logical channel that may be used by more than one UE. A logical channel may also be defined by the type of information it carries. The set of logical channels defined by NR include, for example:

[0079] a paging control channel (PCCH) for carrying paging messages used to page a UE whose location is not known to the network on a cell level;

[0080] a broadcast control channel (BCCH) for carrying system information messages in the form of a master information block (MIB) and several system information blocks (SIBs), wherein the system information messages may be used by the UEs to obtain information about how a cell is configured and how to operate within the cell;

[0081] a common control channel (CCCH) for carrying control messages together with random access;

[0082] a dedicated control channel (DCCH) for carrying control messages to/from a specific the UE to configure the UE; and

[0083] a dedicated traffic channel (DTCH) for carrying user data to/from a specific the UE.

[0084] Transport channels are used between the MAC and PHY layers and may be defined by how the information they carry is transmitted over the air interface. The set of transport channels defined by NR include, for example:

[0085] a paging channel (PCH) for carrying paging messages that originated from the PCCH;

[0086] a broadcast channel (BCH) for carrying the MIB from the BCCH;

[0087] a downlink shared channel (DL-SCH) for carrying downlink data and signaling messages, including the SIBs from the BCCH;

[0088] an uplink shared channel (UL-SCH) for carrying uplink data and signaling messages; and

[0089] a random access channel (RACH) for allowing a UE to contact the network without any prior scheduling.

[0090] The PHY may use physical channels to pass information between processing levels of the PHY. A physical channel may have an associated set of time-frequency resources for carrying the information of one or more transport channels. The PHY may generate control information to support the low-level operation of the PHY and provide the control information to the lower levels of the PHY via physical control channels, known as L1/L2 control channels. The set of physical channels and physical control channels defined by NR include, for example:

[0091] a physical broadcast channel (PBCH) for carrying the MIB from the BCH;

[0092] a physical downlink shared channel (PDSCH) for carrying downlink data and signaling messages from the DL-SCH, as well as paging messages from the PCH;

[0093] a physical downlink control channel (PDCCH) for carrying downlink control information (DCI), which may include downlink scheduling commands, uplink scheduling grants, and uplink power control commands;

[0094] a physical uplink shared channel (PUSCH) for carrying uplink data and signaling messages from the UL-SCH and in some instances uplink control information (UCI) as described below;

[0095] a physical uplink control channel (PUCCH) for carrying UCI, which may include HARQ acknowledgments, channel quality indicators (CQI), pre-coding matrix indicators (PMI), rank indicators (RI), and scheduling requests (SR); and

[0096] a physical random access channel (PRACH) for random access.

[0097] Similar to the physical control channels, the physical layer generates physical signals to support the low-level operation of the physical layer. As shown in FIG. 5A and FIG. 5B, the physical layer signals defined by NR include: primary synchronization signals (PSS), secondary synchronization signals (SSS), channel state information reference signals (CSI-RS), demodulation reference signals (DMRS), sounding reference signals (SRS), and phase-tracking reference signals (PT-RS). These physical layer signals will be described in greater detail below.

[0098] FIG. 2B illustrates an example NR control plane protocol stack. As shown in FIG. 2B, the NR control plane protocol stack may use the same/similar first four protocol layers as the example NR user plane protocol stack. These four protocol layers include the PHYs **211** and **221**, the MACs **212** and **222**, the RLCs **213** and **223**, and the PDCPs **214** and **224**. Instead of having the SDAPs **215** and **225** at the top of the stack as in the NR user plane protocol stack, the NR control plane stack has radio resource controls (RRCs) **216** and **226** and NAS protocols **217** and **237** at the top of the NR control plane protocol stack.

[0099] The NAS protocols **217** and **237** may provide control plane functionality between the UE **210** and the AMF **230** (e.g., the AMF **158A**) or, more generally, between the UE **210** and the CN. The NAS protocols **217** and **237** may provide control plane functionality between the UE **210** and the AMF **230** via signaling messages, referred to as NAS

messages. There is no direct path between the UE **210** and the AMF **230** through which the NAS messages can be transported. The NAS messages may be transported using the AS of the Uu and NG interfaces. NAS protocols **217** and **237** may provide control plane functionality such as authentication, security, connection setup, mobility management, and session management.

[0100] The RRCs **216** and **226** may provide control plane functionality between the UE **210** and the gNB **220** or, more generally, between the UE **210** and the RAN. The RRCs **216** and **226** may provide control plane functionality between the UE **210** and the gNB **220** via signaling messages, referred to as RRC messages. RRC messages may be transmitted between the UE **210** and the RAN using signaling radio bearers and the same/similar PDCP, RLC, MAC, and PHY protocol layers. The MAC may multiplex control-plane and user-plane data into the same transport block (TB). The RRCs **216** and **226** may provide control plane functionality such as: broadcast of system information related to AS and NAS; paging initiated by the CN or the RAN; establishment, maintenance and release of an RRC connection between the UE **210** and the RAN; security functions including key management; establishment, configuration, maintenance and release of signaling radio bearers and data radio bearers; mobility functions; QoS management functions; the UE measurement reporting and control of the reporting; detection of and recovery from radio link failure (RLF); and/or NAS message transfer. As part of establishing an RRC connection, RRCs **216** and **226** may establish an RRC context, which may involve configuring parameters for communication between the UE **210** and the RAN.

[0101] FIG. 6 is an example diagram showing RRC state transitions of a UE. The UE may be the same or similar to the wireless device **106** depicted in FIG. 1A, the UE **210** depicted in FIG. 2A and FIG. 2B, or any other wireless device described in the present disclosure. As illustrated in FIG. 6, a UE may be in at least one of three RRC states: RRC connected **602** (e.g., RRC_CONNECTED), RRC idle **604** (e.g., RRC_IDLE), and RRC inactive **606** (e.g., RRC_INACTIVE).

[0102] In RRC connected **602**, the UE has an established RRC context and may have at least one RRC connection with a base station. The base station may be similar to one of the one or more base stations included in the RAN **104** depicted in FIG. 1A, one of the gNBs **160** or ng-eNBs **162** depicted in FIG. 1B, the gNB **220** depicted in FIG. 2A and FIG. 2B, or any other base station described in the present disclosure. The base station with which the UE is connected may have the RRC context for the UE. The RRC context, referred to as the UE context, may comprise parameters for communication between the UE and the base station. These parameters may include, for example: one or more AS contexts; one or more radio link configuration parameters; bearer configuration information (e.g., relating to a data radio bearer, signaling radio bearer, logical channel, QoS flow, and/or PDU session); security information; and/or PHY, MAC, RLC, PDCP, and/or SDAP layer configuration information. While in RRC connected **602**, mobility of the UE may be managed by the RAN (e.g., the RAN **104** or the NG-RAN **154**). The UE may measure the signal levels (e.g., reference signal levels) from a serving cell and neighboring cells and report these measurements to the base station currently serving the UE. The UE's serving base station may request a handover to a cell of one of the neighboring base

stations based on the reported measurements. The RRC state may transition from RRC connected **602** to RRC idle **604** through a connection release procedure **608** or to RRC inactive **606** through a connection inactivation procedure **610**.

[0103] In RRC idle **604**, an RRC context may not be established for the UE. In RRC idle **604**, the UE may not have an RRC connection with the base station. While in RRC idle **604**, the UE may be in a sleep state for the majority of the time (e.g., to conserve battery power). The UE may wake up periodically (e.g., once in every discontinuous reception cycle) to monitor for paging messages from the RAN. Mobility of the UE may be managed by the UE through a procedure known as cell reselection. The RRC state may transition from RRC idle **604** to RRC connected **602** through a connection establishment procedure **612**, which may involve a random access procedure as discussed in greater detail below.

[0104] In RRC inactive **606**, the RRC context previously established is maintained in the UE and the base station. This allows for a fast transition to RRC connected **602** with reduced signaling overhead as compared to the transition from RRC idle **604** to RRC connected **602**. While in RRC inactive **606**, the UE may be in a sleep state and mobility of the UE may be managed by the UE through cell reselection. The RRC state may transition from RRC inactive **606** to RRC connected **602** through a connection resume procedure **614** or to RRC idle **604** through a connection release procedure **616** that may be the same as or similar to connection release procedure **608**.

[0105] An RRC state may be associated with a mobility management mechanism. In RRC idle **604** and RRC inactive **606**, mobility is managed by the UE through cell reselection. The purpose of mobility management in RRC idle **604** and RRC inactive **606** is to allow the network to be able to notify the UE of an event via a paging message without having to broadcast the paging message over the entire mobile communications network. The mobility management mechanism used in RRC idle **604** and RRC inactive **606** may allow the network to track the UE on a cell-group level so that the paging message may be broadcast over the cells of the cell group that the UE currently resides within instead of the entire mobile communication network. The mobility management mechanisms for RRC idle **604** and RRC inactive **606** track the UE on a cell-group level. They may do so using different granularities of grouping. For example, there may be three levels of cell-grouping granularity: individual cells; cells within a RAN area identified by a RAN area identifier (RAI); and cells within a group of RAN areas, referred to as a tracking area and identified by a tracking area identifier (TAI).

[0106] Tracking areas may be used to track the UE at the CN level. The CN (e.g., the CN **102** or the 5G-CN **152**) may provide the UE with a list of TAIs associated with a UE registration area. If the UE moves, through cell reselection, to a cell associated with a TAI not included in the list of TAIs associated with the UE registration area, the UE may perform a registration update with the CN to allow the CN to update the UE's location and provide the UE with a new the UE registration area.

[0107] RAN areas may be used to track the UE at the RAN level. For a UE in RRC inactive **606** state, the UE may be assigned a RAN notification area. A RAN notification area may comprise one or more cell identities, a list of RAIs, or

a list of TAIs. In an example, a base station may belong to one or more RAN notification areas. In an example, a cell may belong to one or more RAN notification areas. If the UE moves, through cell reselection, to a cell not included in the RAN notification area assigned to the UE, the UE may perform a notification area update with the RAN to update the UE's RAN notification area.

[0108] A base station storing an RRC context for a UE or a last serving base station of the UE may be referred to as an anchor base station. An anchor base station may maintain an RRC context for the UE at least during a period of time that the UE stays in a RAN notification area of the anchor base station and/or during a period of time that the UE stays in RRC inactive **606**.

[0109] A gNB, such as gNBs **160** in FIG. 1B, may be split in two parts: a central unit (gNB-CU), and one or more distributed units (gNB-DU). A gNB-CU may be coupled to one or more gNB-DUs using an F1 interface. The gNB-CU may comprise the RRC, the PDCP, and the SDAP. A gNB-DU may comprise the RLC, the MAC, and the PHY.

[0110] In NR, the physical signals and physical channels (discussed with respect to FIG. 5A and FIG. 5B) may be mapped onto orthogonal frequency divisional multiplexing (OFDM) symbols. OFDM is a multicarrier communication scheme that transmits data over F orthogonal subcarriers (or tones). Before transmission, the data may be mapped to a series of complex symbols (e.g., M-quadrature amplitude modulation (M-QAM) or M-phase shift keying (M-PSK) symbols), referred to as source symbols, and divided into F parallel symbol streams. The F parallel symbol streams may be treated as though they are in the frequency domain and used as inputs to an Inverse Fast Fourier Transform (IFFT) block that transforms them into the time domain. The IFFT block may take in F source symbols at a time, one from each of the F parallel symbol streams, and use each source symbol to modulate the amplitude and phase of one of F sinusoidal basis functions that correspond to the F orthogonal subcarriers. The output of the IFFT block may be F time-domain samples that represent the summation of the F orthogonal subcarriers. The F time-domain samples may form a single OFDM symbol. After some processing (e.g., addition of a cyclic prefix) and up-conversion, an OFDM symbol provided by the IFFT block may be transmitted over the air interface on a carrier frequency. The F parallel symbol streams may be mixed using an FFT block before being processed by the IFFT block. This operation produces Discrete Fourier Transform (DFT)-precoded OFDM symbols and may be used by UEs in the uplink to reduce the peak to average power ratio (PAPR). Inverse processing may be performed on the OFDM symbol at a receiver using an FFT block to recover the data mapped to the source symbols.

[0111] FIG. 7 illustrates an example configuration of an NR frame into which OFDM symbols are grouped. An NR frame may be identified by a system frame number (SFN). The SFN may repeat with a period of 1024 frames. As illustrated, one NR frame may be 10 milliseconds (ms) in duration and may include 10 subframes that are 1 ms in duration. A subframe may be divided into slots that include, for example, 14 OFDM symbols per slot.

[0112] The duration of a slot may depend on the numerology used for the OFDM symbols of the slot. In NR, a flexible numerology is supported to accommodate different cell deployments (e.g., cells with carrier frequencies below 1 GHz up to cells with carrier frequencies in the mm-wave

range). A numerology may be defined in terms of subcarrier spacing and cyclic prefix duration. For a numerology in NR, subcarrier spacings may be scaled up by powers of two from a baseline subcarrier spacing of 15 kHz, and cyclic prefix durations may be scaled down by powers of two from a baseline cyclic prefix duration of 4.7 μ s. For example, NR defines numerologies with the following subcarrier spacing/cyclic prefix duration combinations: 15 kHz/4.7 μ s; 30 kHz/2.3 μ s; 60 kHz/1.2 μ s; 120 kHz/0.59 μ s; and 240 kHz/0.29 μ s.

[0113] A slot may have a fixed number of OFDM symbols (e.g., 14 OFDM symbols). A numerology with a higher subcarrier spacing has a shorter slot duration and, correspondingly, more slots per subframe. FIG. 7 illustrates this numerology-dependent slot duration and slots-per-subframe transmission structure (the numerology with a subcarrier spacing of 240 kHz is not shown in FIG. 7 for ease of illustration). A subframe in NR may be used as a numerology-independent time reference, while a slot may be used as the unit upon which uplink and downlink transmissions are scheduled. To support low latency, scheduling in NR may be decoupled from the slot duration and start at any OFDM symbol and last for as many symbols as needed for a transmission. These partial slot transmissions may be referred to as mini-slot or subslot transmissions.

[0114] FIG. 8 illustrates an example configuration of a slot in the time and frequency domain for an NR carrier. The slot includes resource elements (REs) and resource blocks (RBs). An RE is the smallest physical resource in NR. An RE spans one OFDM symbol in the time domain by one subcarrier in the frequency domain as shown in FIG. 8. An RB spans twelve consecutive REs in the frequency domain as shown in FIG. 8. An NR carrier may be limited to a width of 275 RBs or $275 \times 12 = 3300$ subcarriers. Such a limitation, if used, may limit the NR carrier to 50, 100, 200, and 400 MHz for subcarrier spacings of 15, 30, 60, and 120 kHz, respectively, where the 400 MHz bandwidth may be set based on a 400 MHz per carrier bandwidth limit.

[0115] FIG. 8 illustrates a single numerology being used across the entire bandwidth of the NR carrier. In other example configurations, multiple numerologies may be supported on the same carrier.

[0116] NR may support wide carrier bandwidths (e.g., up to 400 MHz for a subcarrier spacing of 120 kHz). Not all UEs may be able to receive the full carrier bandwidth (e.g., due to hardware limitations). Also, receiving the full carrier bandwidth may be prohibitive in terms of UE power consumption. In an example, to reduce power consumption and/or for other purposes, a UE may adapt the size of the UE's receive bandwidth based on the amount of traffic the UE is scheduled to receive. This is referred to as bandwidth adaptation.

[0117] NR defines bandwidth parts (BWPs) to support UEs not capable of receiving the full carrier bandwidth and to support bandwidth adaptation. In an example, a BWP may be defined by a subset of contiguous RBs on a carrier. A UE may be configured (e.g., via RRC layer) with one or more downlink BWPs and one or more uplink BWPs per serving cell (e.g., up to four downlink BWPs and up to four uplink BWPs per serving cell). At a given time, one or more of the configured BWPs for a serving cell may be active. These one or more BWPs may be referred to as active BWPs of the serving cell. When a serving cell is configured with a secondary uplink carrier, the serving cell may have one or

more first active BWPs in the uplink carrier and one or more second active BWPs in the secondary uplink carrier.

[0118] For unpaired spectra, a downlink BWP from a set of configured downlink BWPs may be linked with an uplink BWP from a set of configured uplink BWPs if a downlink BWP index of the downlink BWP and an uplink BWP index of the uplink BWP are the same. For unpaired spectra, a UE may expect that a center frequency for a downlink BWP is the same as a center frequency for an uplink BWP.

[0119] For a downlink BWP in a set of configured downlink BWPs on a primary cell (PCell), a base station may configure a UE with one or more control resource sets (CORESETs) for at least one search space. A search space is a set of locations in the time and frequency domains where the UE may find control information. The search space may be a UE-specific search space or a common search space (potentially usable by a plurality of UEs). For example, a base station may configure a UE with a common search space, on a PCell or on a primary secondary cell (PSCell), in an active downlink BWP.

[0120] For an uplink BWP in a set of configured uplink BWPs, a BS may configure a UE with one or more resource sets for one or more PUCCH transmissions. A UE may receive downlink receptions (e.g., PDCCH or PDSCH) in a downlink BWP according to a configured numerology (e.g., subcarrier spacing and cyclic prefix duration) for the downlink BWP. The UE may transmit uplink transmissions (e.g., PUCCH or PUSCH) in an uplink BWP according to a configured numerology (e.g., subcarrier spacing and cyclic prefix length for the uplink BWP).

[0121] One or more BWP indicator fields may be provided in Downlink Control Information (DCI). A value of a BWP indicator field may indicate which BWP in a set of configured BWPs is an active downlink BWP for one or more downlink receptions. The value of the one or more BWP indicator fields may indicate an active uplink BWP for one or more uplink transmissions.

[0122] A base station may semi-statically configure a UE with a default downlink BWP within a set of configured downlink BWPs associated with a PCell. If the base station does not provide the default downlink BWP to the UE, the default downlink BWP may be an initial active downlink BWP. The UE may determine which BWP is the initial active downlink BWP based on a CORESET configuration obtained using the PBCH.

[0123] A base station may configure a UE with a BWP inactivity timer value for a PCell. The UE may start or restart a BWP inactivity timer at any appropriate time. For example, the UE may start or restart the BWP inactivity timer (a) when the UE detects a DCI indicating an active downlink BWP other than a default downlink BWP for a paired spectra operation; or (b) when a UE detects a DCI indicating an active downlink BWP or active uplink BWP other than a default downlink BWP or uplink BWP for an unpaired spectra operation. If the UE does not detect DCI during an interval of time (e.g., 1 ms or 0.5 ms), the UE may run the BWP inactivity timer toward expiration (for example, increment from zero to the BWP inactivity timer value, or decrement from the BWP inactivity timer value to zero). When the BWP inactivity timer expires, the UE may switch from the active downlink BWP to the default downlink BWP.

[0124] In an example, a base station may semi-statically configure a UE with one or more BWPs. A UE may switch

an active BWP from a first BWP to a second BWP in response to receiving a DCI indicating the second BWP as an active BWP and/or in response to an expiry of the BWP inactivity timer (e.g., if the second BWP is the default BWP).

[0125] Downlink and uplink BWP switching (where BWP switching refers to switching from a currently active BWP to a not currently active BWP) may be performed independently in paired spectra. In unpaired spectra, downlink and uplink BWP switching may be performed simultaneously. Switching between configured BWPs may occur based on RRC signaling, DCI, expiration of a BWP inactivity timer, and/or an initiation of random access.

[0126] FIG. 9 illustrates an example of bandwidth adaptation using three configured BWPs for an NR carrier. A UE configured with the three BWPs may switch from one BWP to another BWP at a switching point. In the example illustrated in FIG. 9, the BWPs include: a BWP 902 with a bandwidth of 40 MHz and a subcarrier spacing of 15 kHz; a BWP 904 with a bandwidth of 10 MHz and a subcarrier spacing of 15 kHz; and a BWP 906 with a bandwidth of 20 MHz and a subcarrier spacing of 60 kHz. The BWP 902 may be an initial active BWP, and the BWP 904 may be a default BWP. The UE may switch between BWPs at switching points. In the example of FIG. 9, the UE may switch from the BWP 902 to the BWP 904 at a switching point 908. The switching at the switching point 908 may occur for any suitable reason, for example, in response to an expiry of a BWP inactivity timer (indicating switching to the default BWP) and/or in response to receiving a DCI indicating BWP 904 as the active BWP. The UE may switch at a switching point 910 from active BWP 904 to BWP 906 in response receiving a DCI indicating BWP 906 as the active BWP. The UE may switch at a switching point 912 from active BWP 906 to BWP 904 in response to an expiry of a BWP inactivity timer and/or in response receiving a DCI indicating BWP 904 as the active BWP. The UE may switch at a switching point 914 from active BWP 904 to BWP 902 in response receiving a DCI indicating BWP 902 as the active BWP.

[0127] If a UE is configured for a secondary cell with a default downlink BWP in a set of configured downlink BWPs and a timer value, UE procedures for switching BWPs on a secondary cell may be the same/similar as those on a primary cell. For example, the UE may use the timer value and the default downlink BWP for the secondary cell in the same/similar manner as the UE would use these values for a primary cell.

[0128] To provide for greater data rates, two or more carriers can be aggregated and simultaneously transmitted to/from the same UE using carrier aggregation (CA). The aggregated carriers in CA may be referred to as component carriers (CCs). When CA is used, there are a number of serving cells for the UE, one for a CC. The CCs may have three configurations in the frequency domain.

[0129] FIG. 10A illustrates the three CA configurations with two CCs. In the intraband, contiguous configuration 1002, the two CCs are aggregated in the same frequency band (frequency band A) and are located directly adjacent to each other within the frequency band. In the intraband, non-contiguous configuration 1004, the two CCs are aggregated in the same frequency band (frequency band A) and are separated in the frequency band by a gap. In the

interband configuration 1006, the two CCs are located in frequency bands (frequency band A and frequency band B).

[0130] In an example, up to 32 CCs may be aggregated. The aggregated CCs may have the same or different bandwidths, subcarrier spacing, and/or duplexing schemes (TDD or FDD). A serving cell for a UE using CA may have a downlink CC. For FDD, one or more uplink CCs may be optionally configured for a serving cell. The ability to aggregate more downlink carriers than uplink carriers may be useful, for example, when the UE has more data traffic in the downlink than in the uplink.

[0131] When CA is used, one of the aggregated cells for a UE may be referred to as a primary cell (PCell). The PCell may be the serving cell that the UE initially connects to at RRC connection establishment, reestablishment, and/or handover. The PCell may provide the UE with NAS mobility information and the security input. UEs may have different PCells. In the downlink, the carrier corresponding to the PCell may be referred to as the downlink primary CC (DL PCC). In the uplink, the carrier corresponding to the PCell may be referred to as the uplink primary CC (UL PCC). The other aggregated cells for the UE may be referred to as secondary cells (SCells). In an example, the SCells may be configured after the PCell is configured for the UE. For example, an SCell may be configured through an RRC Connection Reconfiguration procedure. In the downlink, the carrier corresponding to an SCell may be referred to as a downlink secondary CC (DL SCC). In the uplink, the carrier corresponding to the SCell may be referred to as the uplink secondary CC (UL SCC).

[0132] Configured SCells for a UE may be activated and deactivated based on, for example, traffic and channel conditions. Deactivation of an SCell may mean that PDCCH and PDSCH reception on the SCell is stopped and PUSCH, SRS, and CQI transmissions on the SCell are stopped. Configured SCells may be activated and deactivated using a MAC CE with respect to FIG. 4B. For example, a MAC CE may use a bitmap (e.g., one bit per SCell) to indicate which SCells (e.g., in a subset of configured SCells) for the UE are activated or deactivated. Configured SCells may be deactivated in response to an expiration of an SCell deactivation timer (e.g., one SCell deactivation timer per SCell).

[0133] Downlink control information, such as scheduling assignments and scheduling grants, for a cell may be transmitted on the cell corresponding to the assignments and grants, which is known as self-scheduling. The DCI for the cell may be transmitted on another cell, which is known as cross-carrier scheduling. Uplink control information (e.g., HARQ acknowledgments and channel state feedback, such as CQI, PMI, and/or RI) for aggregated cells may be transmitted on the PUCCH of the PCell. For a larger number of aggregated downlink CCs, the PUCCH of the PCell may become overloaded. Cells may be divided into multiple PUCCH groups.

[0134] FIG. 10B illustrates an example of how aggregated cells may be configured into one or more PUCCH groups. A PUCCH group 1010 and a PUCCH group 1050 may include one or more downlink CCs, respectively. In the example of FIG. 10B, the PUCCH group 1010 includes three downlink CCs: a PCell 1011, an SCell 1012, and an SCell 1013. The PUCCH group 1050 includes three downlink CCs in the present example: a PCell 1051, an SCell 1052, and an SCell 1053. One or more uplink CCs may be configured as a PCell 1021, an SCell 1022, and an SCell 1023. One or more other

uplink CCs may be configured as a primary Scell (PSCell) **1061**, an SCell **1062**, and an SCell **1063**. Uplink control information (UCI) related to the downlink CCs of the PUCCH group **1010**, shown as UCI **1031**, UCI **1032**, and UCI **1033**, may be transmitted in the uplink of the PCell **1021**. Uplink control information (UCI) related to the downlink CCs of the PUCCH group **1050**, shown as UCI **1071**, UCI **1072**, and UCI **1073**, may be transmitted in the uplink of the PSCell **1061**. In an example, if the aggregated cells depicted in FIG. **10B** were not divided into the PUCCH group **1010** and the PUCCH group **1050**, a single uplink PCell to transmit UCI relating to the downlink CCs, and the PCell may become overloaded. By dividing transmissions of UCI between the PCell **1021** and the PSCell **1061**, overloading may be prevented.

[0135] A cell, comprising a downlink carrier and optionally an uplink carrier, may be assigned with a physical cell ID and a cell index. The physical cell ID or the cell index may identify a downlink carrier and/or an uplink carrier of the cell, for example, depending on the context in which the physical cell ID is used. A physical cell ID may be determined using a synchronization signal transmitted on a downlink component carrier. A cell index may be determined using RRC messages. In the disclosure, a physical cell ID may be referred to as a carrier ID, and a cell index may be referred to as a carrier index. For example, when the disclosure refers to a first physical cell ID for a first downlink carrier, the disclosure may mean the first physical cell ID is for a cell comprising the first downlink carrier. The same/similar concept may apply to, for example, a carrier activation. When the disclosure indicates that a first carrier is activated, the specification may mean that a cell comprising the first carrier is activated.

[0136] In CA, a multi-carrier nature of a PHY may be exposed to a MAC. In an example, a HARQ entity may operate on a serving cell. A transport block may be generated per assignment/grant per serving cell. A transport block and potential HARQ retransmissions of the transport block may be mapped to a serving cell.

[0137] In the downlink, a base station may transmit (e.g., unicast, multicast, and/or broadcast) one or more Reference Signals (RSs) to a UE (e.g., PSS, SSS, CSI-RS, DMRS, and/or PT-RS, as shown in FIG. **5A**). In the uplink, the UE may transmit one or more RSs to the base station (e.g., DMRS, PT-RS, and/or SRS, as shown in FIG. **5B**). The PSS and the SSS may be transmitted by the base station and used by the UE to synchronize the UE to the base station. The PSS and the SSS may be provided in a synchronization signal (SS)/physical broadcast channel (PBCH) block that includes the PSS, the SSS, and the PBCH. The base station may periodically transmit a burst of SS/PBCH blocks.

[0138] FIG. **11A** illustrates an example of an SS/PBCH block's structure and location. A burst of SS/PBCH blocks may include one or more SS/PBCH blocks (e.g., 4 SS/PBCH blocks, as shown in FIG. **11A**). Bursts may be transmitted periodically (e.g., every 2 frames or 20 ms). A burst may be restricted to a half-frame (e.g., a first half-frame having a duration of 5 ms). It will be understood that FIG. **11A** is an example, and that these parameters (number of SS/PBCH blocks per burst, periodicity of bursts, position of burst within the frame) may be configured based on, for example: a carrier frequency of a cell in which the SS/PBCH block is transmitted; a numerology or subcarrier spacing of the cell; a configuration by the network (e.g., using RRC signaling);

or any other suitable factor. In an example, the UE may assume a subcarrier spacing for the SS/PBCH block based on the carrier frequency being monitored, unless the radio network configured the UE to assume a different subcarrier spacing.

[0139] The SS/PBCH block may span one or more OFDM symbols in the time domain (e.g., 4 OFDM symbols, as shown in the example of FIG. **11A**) and may span one or more subcarriers in the frequency domain (e.g., **240** contiguous subcarriers). The PSS, the SSS, and the PBCH may have a common center frequency. The PSS may be transmitted first and may span, for example, 1 OFDM symbol and **127** subcarriers. The SSS may be transmitted after the PSS (e.g., two symbols later) and may span 1 OFDM symbol and **127** subcarriers. The PBCH may be transmitted after the PSS (e.g., across the next 3 OFDM symbols) and may span **240** subcarriers.

[0140] The location of the SS/PBCH block in the time and frequency domains may not be known to the UE (e.g., if the UE is searching for the cell). To find and select the cell, the UE may monitor a carrier for the PSS. For example, the UE may monitor a frequency location within the carrier. If the PSS is not found after a certain duration (e.g., 20 ms), the UE may search for the PSS at a different frequency location within the carrier, as indicated by a synchronization raster. If the PSS is found at a location in the time and frequency domains, the UE may determine, based on a known structure of the SS/PBCH block, the locations of the SSS and the PBCH, respectively. The SS/PBCH block may be a cell-defining SS block (CD-SSB). In an example, a primary cell may be associated with a CD-SSB. The CD-SSB may be located on a synchronization raster. In an example, a cell selection/search and/or reselection may be based on the CD-SSB.

[0141] The SS/PBCH block may be used by the UE to determine one or more parameters of the cell. For example, the UE may determine a physical cell identifier (PCI) of the cell based on the sequences of the PSS and the SSS, respectively. The UE may determine a location of a frame boundary of the cell based on the location of the SS/PBCH block. For example, the SS/PBCH block may indicate that it has been transmitted in accordance with a transmission pattern, wherein a SS/PBCH block in the transmission pattern is a known distance from the frame boundary.

[0142] The PBCH may use a QPSK modulation and may use forward error correction (FEC). The FEC may use polar coding. One or more symbols spanned by the PBCH may carry one or more DMRSs for demodulation of the PBCH. The PBCH may include an indication of a current system frame number (SFN) of the cell and/or a SS/PBCH block timing index. These parameters may facilitate time synchronization of the UE to the base station. The PBCH may include a master information block (MIB) used to provide the UE with one or more parameters. The MIB may be used by the UE to locate remaining minimum system information (RMSI) associated with the cell. The RMSI may include a System Information Block Type 1 (SIB1). The SIB1 may contain information needed by the UE to access the cell. The UE may use one or more parameters of the MIB to monitor PDCCH, which may be used to schedule PDSCH. The PDSCH may include the SIB1. The SIB1 may be decoded using parameters provided in the MIB. The PBCH may indicate an absence of SIB1. Based on the PBCH indicating

the absence of SIB1, the UE may be pointed to a frequency. The UE may search for an SS/PBCH block at the frequency to which the UE is pointed.

[0143] The UE may assume that one or more SS/PBCH blocks transmitted with a same SS/PBCH block index are quasi co-located (QCLed) (e.g., having the same/similar Doppler spread, Doppler shift, average gain, average delay, and/or spatial Rx parameters). The UE may not assume QCL for SS/PBCH block transmissions having different SS/PBCH block indices.

[0144] SS/PBCH blocks (e.g., those within a half-frame) may be transmitted in spatial directions (e.g., using different beams that span a coverage area of the cell). In an example, a first SS/PBCH block may be transmitted in a first spatial direction using a first beam, and a second SS/PBCH block may be transmitted in a second spatial direction using a second beam.

[0145] In an example, within a frequency span of a carrier, a base station may transmit a plurality of SS/PBCH blocks. In an example, a first PCI of a first SS/PBCH block of the plurality of SS/PBCH blocks may be different from a second PCI of a second SS/PBCH block of the plurality of SS/PBCH blocks. The PCIs of SS/PBCH blocks transmitted in different frequency locations may be different or the same.

[0146] The CSI-RS may be transmitted by the base station and used by the UE to acquire channel state information (CSI). The base station may configure the UE with one or more CSI-RSs for channel estimation or any other suitable purpose. The base station may configure a UE with one or more of the same/similar CSI-RSs. The UE may measure the one or more CSI-RSs. The UE may estimate a downlink channel state and/or generate a CSI report based on the measuring of the one or more downlink CSI-RSs. The UE may provide the CSI report to the base station. The base station may use feedback provided by the UE (e.g., the estimated downlink channel state) to perform link adaptation.

[0147] The base station may semi-statically configure the UE with one or more CSI-RS resource sets. A CSI-RS resource may be associated with a location in the time and frequency domains and a periodicity. The base station may selectively activate and/or deactivate a CSI-RS resource. The base station may indicate to the UE that a CSI-RS resource in the CSI-RS resource set is activated and/or deactivated.

[0148] The base station may configure the UE to report CSI measurements. The base station may configure the UE to provide CSI reports periodically, aperiodically, or semi-persistently. For periodic CSI reporting, the UE may be configured with a timing and/or periodicity of a plurality of CSI reports. For aperiodic CSI reporting, the base station may request a CSI report. For example, the base station may command the UE to measure a configured CSI-RS resource and provide a CSI report relating to the measurements. For semi-persistent CSI reporting, the base station may configure the UE to transmit periodically, and selectively activate or deactivate the periodic reporting. The base station may configure the UE with a CSI-RS resource set and CSI reports using RRC signaling.

[0149] The CSI-RS configuration may comprise one or more parameters indicating, for example, up to 32 antenna ports. The UE may be configured to employ the same OFDM symbols for a downlink CSI-RS and a control resource set (CORESET) when the downlink CSI-RS and CORESET are

spatially QCLed and resource elements associated with the downlink CSI-RS are outside of the physical resource blocks (PRBs) configured for the CORESET. The UE may be configured to employ the same OFDM symbols for downlink CSI-RS and SS/PBCH blocks when the downlink CSI-RS and SS/PBCH blocks are spatially QCLed and resource elements associated with the downlink CSI-RS are outside of PRBs configured for the SS/PBCH blocks.

[0150] Downlink DMRSs may be transmitted by a base station and used by a UE for channel estimation. For example, the downlink DMRS may be used for coherent demodulation of one or more downlink physical channels (e.g., PDSCH). An NR network may support one or more variable and/or configurable DMRS patterns for data demodulation. At least one downlink DMRS configuration may support a front-loaded DMRS pattern. A front-loaded DMRS may be mapped over one or more OFDM symbols (e.g., one or two adjacent OFDM symbols). A base station may semi-statically configure the UE with a number (e.g. a maximum number) of front-loaded DMRS symbols for PDSCH. A DMRS configuration may support one or more DMRS ports. For example, for single user-MIMO, a DMRS configuration may support up to eight orthogonal downlink DMRS ports per UE. For multiuser-MIMO, a DMRS configuration may support up to 4 orthogonal downlink DMRS ports per UE. A radio network may support (e.g., at least for CP-OFDM) a common DMRS structure for downlink and uplink, wherein a DMRS location, a DMRS pattern, and/or a scrambling sequence may be the same or different. The base station may transmit a downlink DMRS and a corresponding PDSCH using the same precoding matrix. The UE may use the one or more downlink DMRSs for coherent demodulation/channel estimation of the PDSCH.

[0151] In an example, a transmitter (e.g., a base station) may use a precoder matrices for a part of a transmission bandwidth. For example, the transmitter may use a first precoder matrix for a first bandwidth and a second precoder matrix for a second bandwidth. The first precoder matrix and the second precoder matrix may be different based on the first bandwidth being different from the second bandwidth. The UE may assume that a same precoding matrix is used across a set of PRBs. The set of PRBs may be denoted as a precoding resource block group (PRG).

[0152] A PDSCH may comprise one or more layers. The UE may assume that at least one symbol with DMRS is present on a layer of the one or more layers of the PDSCH. A higher layer may configure up to 3 DMRSs for the PDSCH.

[0153] Downlink PT-RS may be transmitted by a base station and used by a UE for phase-noise compensation. Whether a downlink PT-RS is present or not may depend on an RRC configuration. The presence and/or pattern of the downlink PT-RS may be configured on a UE-specific basis using a combination of RRC signaling and/or an association with one or more parameters employed for other purposes (e.g., modulation and coding scheme (MCS)), which may be indicated by DCI. When configured, a dynamic presence of a downlink PT-RS may be associated with one or more DCI parameters comprising at least MCS. An NR network may support a plurality of PT-RS densities defined in the time and/or frequency domains. When present, a frequency domain density may be associated with at least one configuration of a scheduled bandwidth. The UE may assume a same precoding for a DMRS port and a PT-RS port. A

number of PT-RS ports may be fewer than a number of DMRS ports in a scheduled resource. Downlink PT-RS may be confined in the scheduled time/frequency duration for the UE. Downlink PT-RS may be transmitted on symbols to facilitate phase tracking at the receiver.

[0154] The UE may transmit an uplink DMRS to a base station for channel estimation. For example, the base station may use the uplink DMRS for coherent demodulation of one or more uplink physical channels. For example, the UE may transmit an uplink DMRS with a PUSCH and/or a PUCCH. The uplink DM-RS may span a range of frequencies that is similar to a range of frequencies associated with the corresponding physical channel. The base station may configure the UE with one or more uplink DMRS configurations. At least one DMRS configuration may support a front-loaded DMRS pattern. The front-loaded DMRS may be mapped over one or more OFDM symbols (e.g., one or two adjacent OFDM symbols). One or more uplink DMRSs may be configured to transmit at one or more symbols of a PUSCH and/or a PUCCH. The base station may semi-statically configure the UE with a number (e.g. maximum number) of front-loaded DMRS symbols for the PUSCH and/or the PUCCH, which the UE may use to schedule a single-symbol DMRS and/or a double-symbol DMRS. An NR network may support (e.g., for cyclic prefix orthogonal frequency division multiplexing (CP-OFDM)) a common DMRS structure for downlink and uplink, wherein a DMRS location, a DMRS pattern, and/or a scrambling sequence for the DMRS may be the same or different.

[0155] A PUSCH may comprise one or more layers, and the UE may transmit at least one symbol with DMRS present on a layer of the one or more layers of the PUSCH. In an example, a higher layer may configure up to three DMRSs for the PUSCH.

[0156] Uplink PT-RS (which may be used by a base station for phase tracking and/or phase-noise compensation) may or may not be present depending on an RRC configuration of the UE. The presence and/or pattern of uplink PT-RS may be configured on a UE-specific basis by a combination of RRC signaling and/or one or more parameters employed for other purposes (e.g., Modulation and Coding Scheme (MCS)), which may be indicated by DCI. When configured, a dynamic presence of uplink PT-RS may be associated with one or more DCI parameters comprising at least MCS. A radio network may support a plurality of uplink PT-RS densities defined in time/frequency domain. When present, a frequency domain density may be associated with at least one configuration of a scheduled bandwidth. The UE may assume a same precoding for a DMRS port and a PT-RS port. A number of PT-RS ports may be fewer than a number of DMRS ports in a scheduled resource. For example, uplink PT-RS may be confined in the scheduled time/frequency duration for the UE.

[0157] SRS may be transmitted by a UE to a base station for channel state estimation to support uplink channel dependent scheduling and/or link adaptation. SRS transmitted by the UE may allow a base station to estimate an uplink channel state at one or more frequencies. A scheduler at the base station may employ the estimated uplink channel state to assign one or more resource blocks for an uplink PUSCH transmission from the UE. The base station may semi-statically configure the UE with one or more SRS resource sets. For an SRS resource set, the base station may configure the UE with one or more SRS resources. An SRS resource

set applicability may be configured by a higher layer (e.g., RRC) parameter. For example, when a higher layer parameter indicates beam management, an SRS resource in a SRS resource set of the one or more SRS resource sets (e.g., with the same/similar time domain behavior, periodic, aperiodic, and/or the like) may be transmitted at a time instant (e.g., simultaneously). The UE may transmit one or more SRS resources in SRS resource sets. An NR network may support aperiodic, periodic and/or semi-persistent SRS transmissions. The UE may transmit SRS resources based on one or more trigger types, wherein the one or more trigger types may comprise higher layer signaling (e.g., RRC) and/or one or more DCI formats. In an example, at least one DCI format may be employed for the UE to select at least one of one or more configured SRS resource sets. An SRS trigger type 0 may refer to an SRS triggered based on a higher layer signaling. An SRS trigger type 1 may refer to an SRS triggered based on one or more DCI formats. In an example, when PUSCH and SRS are transmitted in a same slot, the UE may be configured to transmit SRS after a transmission of a PUSCH and a corresponding uplink DMRS.

[0158] The base station may semi-statically configure the UE with one or more SRS configuration parameters indicating at least one of following: a SRS resource configuration identifier; a number of SRS ports; time domain behavior of an SRS resource configuration (e.g., an indication of periodic, semi-persistent, or aperiodic SRS); slot, mini-slot, and/or subframe level periodicity; offset for a periodic and/or an aperiodic SRS resource; a number of OFDM symbols in an SRS resource; a starting OFDM symbol of an SRS resource; an SRS bandwidth; a frequency hopping bandwidth; a cyclic shift; and/or an SRS sequence ID.

[0159] An antenna port is defined such that the channel over which a symbol on the antenna port is conveyed can be inferred from the channel over which another symbol on the same antenna port is conveyed. If a first symbol and a second symbol are transmitted on the same antenna port, the receiver may infer the channel (e.g., fading gain, multipath delay, and/or the like) for conveying the second symbol on the antenna port, from the channel for conveying the first symbol on the antenna port. A first antenna port and a second antenna port may be referred to as quasi co-located (QCLed) if one or more large-scale properties of the channel over which a first symbol on the first antenna port is conveyed may be inferred from the channel over which a second symbol on a second antenna port is conveyed. The one or more large-scale properties may comprise at least one of: a delay spread; a Doppler spread; a Doppler shift; an average gain; an average delay; and/or spatial Receiving (Rx) parameters.

[0160] Channels that use beamforming require beam management. Beam management may comprise beam measurement, beam selection, and beam indication. A beam may be associated with one or more reference signals. For example, a beam may be identified by one or more beamformed reference signals. The UE may perform downlink beam measurement based on downlink reference signals (e.g., a channel state information reference signal (CSI-RS)) and generate a beam measurement report. The UE may perform the downlink beam measurement procedure after an RRC connection is set up with a base station.

[0161] FIG. 11B illustrates an example of channel state information reference signals (CSI-RSs) that are mapped in the time and frequency domains. A square shown in FIG.

11B may span a resource block (RB) within a bandwidth of a cell. A base station may transmit one or more RRC messages comprising CSI-RS resource configuration parameters indicating one or more CSI-RSs. One or more of the following parameters may be configured by higher layer signaling (e.g., RRC and/or MAC signaling) for a CSI-RS resource configuration: a CSI-RS resource configuration identity, a number of CSI-RS ports, a CSI-RS configuration (e.g., symbol and resource element (RE) locations in a subframe), a CSI-RS subframe configuration (e.g., subframe location, offset, and periodicity in a radio frame), a CSI-RS power parameter, a CSI-RS sequence parameter, a code division multiplexing (CDM) type parameter, a frequency density, a transmission comb, quasi co-location (QCL) parameters (e.g., QCL-scrambling identity, crs-ports count, mbsfn-subframeconfiglist, csi-rs-configZPID, qcl-csi-rs-configNZPID), and/or other radio resource parameters.

[0162] The three beams illustrated in FIG. 11B may be configured for a UE in a UE-specific configuration. Three beams are illustrated in FIG. 11B (beam #1, beam #2, and beam #3), more or fewer beams may be configured. Beam #1 may be allocated with CSI-RS 1101 that may be transmitted in one or more subcarriers in an RB of a first symbol. Beam #2 may be allocated with CSI-RS 1102 that may be transmitted in one or more subcarriers in an RB of a second symbol. Beam #3 may be allocated with CSI-RS 1103 that may be transmitted in one or more subcarriers in an RB of a third symbol. By using frequency division multiplexing (FDM), a base station may use other subcarriers in a same RB (for example, those that are not used to transmit CSI-RS 1101) to transmit another CSI-RS associated with a beam for another UE. By using time domain multiplexing (TDM), beams used for the UE may be configured such that beams for the UE use symbols from beams of other UEs.

[0163] CSI-RSs such as those illustrated in FIG. 11B (e.g., CSI-RS 1101, 1102, 1103) may be transmitted by the base station and used by the UE for one or more measurements. For example, the UE may measure a reference signal received power (RSRP) of configured CSI-RS resources. The base station may configure the UE with a reporting configuration and the UE may report the RSRP measurements to a network (for example, via one or more base stations) based on the reporting configuration. In an example, the base station may determine, based on the reported measurement results, one or more transmission configuration indication (TCI) states comprising a number of reference signals. In an example, the base station may indicate one or more TCI states to the UE (e.g., via RRC signaling, a MAC CE, and/or a DCI). The UE may receive a downlink transmission with a receive (Rx) beam determined based on the one or more TCI states. In an example, the UE may or may not have a capability of beam correspondence. If the UE has the capability of beam correspondence, the UE may determine a spatial domain filter of a transmit (Tx) beam based on a spatial domain filter of the corresponding Rx beam. If the UE does not have the capability of beam correspondence, the UE may perform an uplink beam selection procedure to determine the spatial domain filter of the Tx beam. The UE may perform the uplink beam selection procedure based on one or more sounding reference signal (SRS) resources configured to the UE by the base station. The base station may select and indicate uplink beams for the UE based on measurements of the one or more SRS resources transmitted by the UE.

[0164] In a beam management procedure, a UE may assess (e.g., measure) a channel quality of one or more beam pair links, a beam pair link comprising a transmitting beam transmitted by a base station and a receiving beam received by the UE. Based on the assessment, the UE may transmit a beam measurement report indicating one or more beam pair quality parameters comprising, e.g., one or more beam identifications (e.g., a beam index, a reference signal index, or the like), RSRP, a precoding matrix indicator (PMI), a channel quality indicator (CQI), and/or a rank indicator (RI).

[0165] FIG. 12A illustrates examples of three downlink beam management procedures: P1, P2, and P3. Procedure P1 may enable a UE measurement on transmit (Tx) beams of a transmission reception point (TRP) (or multiple TRPs), e.g., to support a selection of one or more base station Tx beams and/or UE Rx beams (shown as ovals in the top row and bottom row, respectively, of P1). Beamforming at a TRP may comprise a Tx beam sweep for a set of beams (shown, in the top rows of P1 and P2, as ovals rotated in a counter-clockwise direction indicated by the dashed arrow). Beamforming at a UE may comprise an Rx beam sweep for a set of beams (shown, in the bottom rows of P1 and P3, as ovals rotated in a clockwise direction indicated by the dashed arrow). Procedure P2 may be used to enable a UE measurement on Tx beams of a TRP (shown, in the top row of P2, as ovals rotated in a counter-clockwise direction indicated by the dashed arrow). The UE and/or the base station may perform procedure P2 using a smaller set of beams than is used in procedure P1, or using narrower beams than the beams used in procedure P1. This may be referred to as beam refinement. The UE may perform procedure P3 for Rx beam determination by using the same Tx beam at the base station and sweeping an Rx beam at the UE.

[0166] FIG. 12B illustrates examples of three uplink beam management procedures: U1, U2, and U3. Procedure U1 may be used to enable a base station to perform a measurement on Tx beams of a UE, e.g., to support a selection of one or more UE Tx beams and/or base station Rx beams (shown as ovals in the top row and bottom row, respectively, of U1). Beamforming at the UE may include, e.g., a Tx beam sweep from a set of beams (shown in the bottom rows of U1 and U3 as ovals rotated in a clockwise direction indicated by the dashed arrow). Beamforming at the base station may include, e.g., an Rx beam sweep from a set of beams (shown, in the top rows of U1 and U2, as ovals rotated in a counter-clockwise direction indicated by the dashed arrow). Procedure U2 may be used to enable the base station to adjust its Rx beam when the UE uses a fixed Tx beam. The UE and/or the base station may perform procedure U2 using a smaller set of beams than is used in procedure P1, or using narrower beams than the beams used in procedure P1. This may be referred to as beam refinement. The UE may perform procedure U3 to adjust its Tx beam when the base station uses a fixed Rx beam.

[0167] A UE may initiate a beam failure recovery (BFR) procedure based on detecting a beam failure. The UE may transmit a BFR request (e.g., a preamble, a UCI, an SR, a MAC CE, and/or the like) based on the initiating of the BFR procedure. The UE may detect the beam failure based on a determination that a quality of beam pair link(s) of an associated control channel is unsatisfactory (e.g., having an error rate higher than an error rate threshold, a received signal power lower than a received signal power threshold, an expiration of a timer, and/or the like).

[0168] The UE may measure a quality of a beam pair link using one or more reference signals (RSs) comprising one or more SS/PBCH blocks, one or more CSI-RS resources, and/or one or more demodulation reference signals (DMRSs). A quality of the beam pair link may be based on one or more of a block error rate (BLER), an RSRP value, a signal to interference plus noise ratio (SINR) value, a reference signal received quality (RSRQ) value, and/or a CSI value measured on RS resources. The base station may indicate that an RS resource is quasi co-located (QCLed) with one or more DM-RSs of a channel (e.g., a control channel, a shared data channel, and/or the like). The RS resource and the one or more DMRSs of the channel may be QCLed when the channel characteristics (e.g., Doppler shift, Doppler spread, average delay, delay spread, spatial Rx parameter, fading, and/or the like) from a transmission via the RS resource to the UE are similar or the same as the channel characteristics from a transmission via the channel to the UE.

[0169] A network (e.g., a gNB and/or an ng-eNB of a network) and/or the UE may initiate a random access procedure. A UE in an RRC_IDLE state and/or an RRC_INACTIVE state may initiate the random access procedure to request a connection setup to a network. The UE may initiate the random access procedure from an RRC_CONNECTED state. The UE may initiate the random access procedure to request uplink resources (e.g., for uplink transmission of an SR when there is no PUCCH resource available) and/or acquire uplink timing (e.g., when uplink synchronization status is non-synchronized). The UE may initiate the random access procedure to request one or more system information blocks (SIBs) (e.g., other system information such as SIB2, SIB3, and/or the like). The UE may initiate the random access procedure for a beam failure recovery request. A network may initiate a random access procedure for a handover and/or for establishing time alignment for an SCell addition.

[0170] FIG. 13A illustrates a four-step contention-based random access procedure. Prior to initiation of the procedure, a base station may transmit a configuration message **1310** to the UE. The procedure illustrated in FIG. 13A comprises transmission of four messages: a Msg **1 1311**, a Msg **2 1312**, a Msg **3 1313**, and a Msg **4 1314**. The Msg **1 1311** may include and/or be referred to as a preamble (or a random access preamble). The Msg **2 1312** may include and/or be referred to as a random access response (RAR).

[0171] The configuration message **1310** may be transmitted, for example, using one or more RRC messages. The one or more RRC messages may indicate one or more random access channel (RACH) parameters to the UE. The one or more RACH parameters may comprise at least one of following: general parameters for one or more random access procedures (e.g., RACH-configGeneral); cell-specific parameters (e.g., RACH-ConfigCommon); and/or dedicated parameters (e.g., RACH-configDedicated). The base station may broadcast or multicast the one or more RRC messages to one or more UEs. The one or more RRC messages may be UE-specific (e.g., dedicated RRC messages transmitted to a UE in an RRC_CONNECTED state and/or in an RRC_INACTIVE state). The UE may determine, based on the one or more RACH parameters, a time-frequency resource and/or an uplink transmit power for transmission of the Msg **1 1311** and/or the Msg **3 1313**. Based on the one or more

RACH parameters, the UE may determine a reception timing and a downlink channel for receiving the Msg **2 1312** and the Msg **4 1314**.

[0172] The one or more RACH parameters provided in the configuration message **1310** may indicate one or more Physical RACH (PRACH) occasions available for transmission of the Msg **1 1311**. The one or more PRACH occasions may be predefined. The one or more RACH parameters may indicate one or more available sets of one or more PRACH occasions (e.g., prach-ConfigIndex). The one or more RACH parameters may indicate an association between (a) one or more PRACH occasions and (b) one or more reference signals. The one or more RACH parameters may indicate an association between (a) one or more preambles and (b) one or more reference signals. The one or more reference signals may be SS/PBCH blocks and/or CSI-RSs. For example, the one or more RACH parameters may indicate a number of SS/PBCH blocks mapped to a PRACH occasion and/or a number of preambles mapped to a SS/PBCH blocks.

[0173] The one or more RACH parameters provided in the configuration message **1310** may be used to determine an uplink transmit power of Msg **1 1311** and/or Msg **3 1313**. For example, the one or more RACH parameters may indicate a reference power for a preamble transmission (e.g., a received target power and/or an initial power of the preamble transmission). There may be one or more power offsets indicated by the one or more RACH parameters. For example, the one or more RACH parameters may indicate: a power ramping step; a power offset between SSB and CSI-RS; a power offset between transmissions of the Msg **1 1311** and the Msg **3 1313**; and/or a power offset value between preamble groups. The one or more RACH parameters may indicate one or more thresholds based on which the UE may determine at least one reference signal (e.g., an SSB and/or CSI-RS) and/or an uplink carrier (e.g., a normal uplink (NUL) carrier and/or a supplemental uplink (SUL) carrier).

[0174] The Msg **1 1311** may include one or more preamble transmissions (e.g., a preamble transmission and one or more preamble retransmissions). An RRC message may be used to configure one or more preamble groups (e.g., group A and/or group B). A preamble group may comprise one or more preambles. The UE may determine the preamble group based on a pathloss measurement and/or a size of the Msg **3 1313**. The UE may measure an RSRP of one or more reference signals (e.g., SSBs and/or CSI-RSs) and determine at least one reference signal having an RSRP above an RSRP threshold (e.g., rsrp-ThresholdSSB and/or rsrp-ThresholdCSI-RS). The UE may select at least one preamble associated with the one or more reference signals and/or a selected preamble group, for example, if the association between the one or more preambles and the at least one reference signal is configured by an RRC message.

[0175] The UE may determine the preamble based on the one or more RACH parameters provided in the configuration message **1310**. For example, the UE may determine the preamble based on a pathloss measurement, an RSRP measurement, and/or a size of the Msg **3 1313**. As another example, the one or more RACH parameters may indicate: a preamble format; a maximum number of preamble transmissions; and/or one or more thresholds for determining one or more preamble groups (e.g., group A and group B). A base station may use the one or more RACH parameters to

configure the UE with an association between one or more preambles and one or more reference signals (e.g., SSBs and/or CSI-RSs). If the association is configured, the UE may determine the preamble to include in Msg 1 1311 based on the association. The Msg 1 1311 may be transmitted to the base station via one or more PRACH occasions. The UE may use one or more reference signals (e.g., SSBs and/or CSI-RSs) for selection of the preamble and for determining of the PRACH occasion. One or more RACH parameters (e.g., ra-ssb-OccasionMskIndex and/or ra-OccasionList) may indicate an association between the PRACH occasions and the one or more reference signals.

[0176] The UE may perform a preamble retransmission if no response is received following a preamble transmission. The UE may increase an uplink transmit power for the preamble retransmission. The UE may select an initial preamble transmit power based on a pathloss measurement and/or a target received preamble power configured by the network. The UE may determine to retransmit a preamble and may ramp up the uplink transmit power. The UE may receive one or more RACH parameters (e.g., PREAMBLE_POWER_RAMPING_STEP) indicating a ramping step for the preamble retransmission. The ramping step may be an amount of incremental increase in uplink transmit power for a retransmission. The UE may ramp up the uplink transmit power if the UE determines a reference signal (e.g., SSB and/or CSI-RS) that is the same as a previous preamble transmission. The UE may count a number of preamble transmissions and/or retransmissions (e.g., PREAMBLE_TRANSMISSION_COUNTER). The UE may determine that a random access procedure completed unsuccessfully, for example, if the number of preamble transmissions exceeds a threshold configured by the one or more RACH parameters (e.g., preambleTransMax).

[0177] The Msg 2 1312 received by the UE may include an RAR. In some scenarios, the Msg 2 1312 may include multiple RARs corresponding to multiple UEs. The Msg 2 1312 may be received after or in response to the transmitting of the Msg 1 1311. The Msg 2 1312 may be scheduled on the DL-SCH and indicated on a PDCCCH using a random access RNTI (RA-RNTI). The Msg 2 1312 may indicate that the Msg 1 1311 was received by the base station. The Msg 2 1312 may include a time-alignment command that may be used by the UE to adjust the UE's transmission timing, a scheduling grant for transmission of the Msg 3 1313, and/or a Temporary Cell RNTI (TC-RNTI). After transmitting a preamble, the UE may start a time window (e.g., ra-ResponseWindow) to monitor a PDCCCH for the Msg 2 1312. The UE may determine when to start the time window based on a PRACH occasion that the UE uses to transmit the preamble. For example, the UE may start the time window one or more symbols after a last symbol of the preamble (e.g., at a first PDCCCH occasion from an end of a preamble transmission). The one or more symbols may be determined based on a numerology. The PDCCCH may be in a common search space (e.g., a Type1-PDCCCH common search space) configured by an RRC message. The UE may identify the RAR based on a Radio Network Temporary Identifier (RNTI). RNTIs may be used depending on one or more events initiating the random access procedure. The UE may use random access RNTI (RA-RNTI). The RA-RNTI may be associated with PRACH occasions in which the UE transmits a preamble. For example, the UE may determine the RA-RNTI based on: an OFDM symbol index; a slot

index; a frequency domain index; and/or a UL carrier indicator of the PRACH occasions. An example of RA-RNTI may be as follows:

$$\text{RA-RNTI} = 1 + s_id + 14 \times t_id + 14 \times 80 \times f_id + 14 \times 80 \times 8 \times \text{ul_carrier_id}$$

where s_id may be an index of a first OFDM symbol of the PRACH occasion (e.g., $0 < s_id < 14$), t_id may be an index of a first slot of the PRACH occasion in a system frame (e.g., $0 < t_id < 80$), f_id may be an index of the PRACH occasion in the frequency domain (e.g., $0 < f_id < 8$), and ul_carrier_id may be a UL carrier used for a preamble transmission (e.g., 0 for an NUL carrier, and 1 for an SUL carrier).

[0178] The UE may transmit the Msg 3 1313 in response to a successful reception of the Msg 2 1312 (e.g., using resources identified in the Msg 2 1312). The Msg 3 1313 may be used for contention resolution in, for example, the contention-based random access procedure illustrated in FIG. 13A. In some scenarios, a plurality of UEs may transmit a same preamble to a base station and the base station may provide an RAR that corresponds to a UE. Collisions may occur if the plurality of UEs interpret the RAR as corresponding to themselves. Contention resolution (e.g., using the Msg 3 1313 and the Msg 4 1314) may be used to increase the likelihood that the UE does not incorrectly use an identity of another UE. To perform contention resolution, the UE may include a device identifier in the Msg 3 1313 (e.g., a C-RNTI if assigned, a TC-RNTI included in the Msg 2 1312, and/or any other suitable identifier).

[0179] The Msg 4 1314 may be received after or in response to the transmitting of the Msg 3 1313. If a C-RNTI was included in the Msg 3 1313, the base station will address the UE on the PDCCCH using the C-RNTI. If the UE's unique C-RNTI is detected on the PDCCCH, the random access procedure is determined to be successfully completed. If a TC-RNTI is included in the Msg 3 1313 (e.g., if the UE is in an RRC_IDLE state or not otherwise connected to the base station), Msg 4 1314 will be received using a DL-SCH associated with the TC-RNTI. If a MAC PDU is successfully decoded and a MAC PDU comprises the UE contention resolution identity MAC CE that matches or otherwise corresponds with the CCCH SDU sent (e.g., transmitted) in Msg 3 1313, the UE may determine that the contention resolution is successful and/or the UE may determine that the random access procedure is successfully completed.

[0180] The UE may be configured with a supplementary uplink (SUL) carrier and a normal uplink (NUL) carrier. An initial access (e.g., random access procedure) may be supported in an uplink carrier. For example, a base station may configure the UE with two separate RACH configurations: one for an SUL carrier and the other for an NUL carrier. For random access in a cell configured with an SUL carrier, the network may indicate which carrier to use (NUL or SUL). The UE may determine the SUL carrier, for example, if a measured quality of one or more reference signals is lower than a broadcast threshold. Uplink transmissions of the random access procedure (e.g., the Msg 1 1311 and/or the Msg 3 1313) may remain on the selected carrier. The UE may switch an uplink carrier during the random access procedure (e.g., between the Msg 1 1311 and the Msg 3 1313) in one or more cases. For example, the UE may determine and/or switch an uplink carrier for the Msg 1 1311 and/or the Msg 3 1313 based on a channel clear assessment (e.g., a listen-before-talk).

[0181] FIG. 13B illustrates a two-step contention-free random access procedure. Similar to the four-step contention-based random access procedure illustrated in FIG. 13A, a base station may, prior to initiation of the procedure, transmit a configuration message 1320 to the UE. The configuration message 1320 may be analogous in some respects to the configuration message 1310. The procedure illustrated in FIG. 13B comprises transmission of two messages: a Msg 1 1321 and a Msg 2 1322. The Msg 1 1321 and the Msg 2 1322 may be analogous in some respects to the Msg 1 1311 and a Msg 2 1312 illustrated in FIG. 13A, respectively. As will be understood from FIGS. 13A and 13B, the contention-free random access procedure may not include messages analogous to the Msg 3 1313 and/or the Msg 4 1314.

[0182] The contention-free random access procedure illustrated in FIG. 13B may be initiated for a beam failure recovery, other SI request, SCell addition, and/or handover. For example, a base station may indicate or assign to the UE the preamble to be used for the Msg 1 1321. The UE may receive, from the base station via PDCCH and/or RRC, an indication of a preamble (e.g., ra-PreambleIndex).

[0183] After transmitting a preamble, the UE may start a time window (e.g., ra-ResponseWindow) to monitor a PDCCH for the RAR. In the event of a beam failure recovery request, the base station may configure the UE with a separate time window and/or a separate PDCCH in a search space indicated by an RRC message (e.g., recoverySearchSpaceId). The UE may monitor for a PDCCH transmission addressed to a Cell RNTI (C-RNTI) on the search space. In the contention-free random access procedure illustrated in FIG. 13B, the UE may determine that a random access procedure successfully completes after or in response to transmission of Msg 1 1321 and reception of a corresponding Msg 2 1322. The UE may determine that a random access procedure successfully completes, for example, if a PDCCH transmission is addressed to a C-RNTI. The UE may determine that a random access procedure successfully completes, for example, if the UE receives an RAR comprising a preamble identifier corresponding to a preamble transmitted by the UE and/or the RAR comprises a MAC sub-PDU with the preamble identifier. The UE may determine the response as an indication of an acknowledgement for an SI request.

[0184] FIG. 13C illustrates another two-step random access procedure. Similar to the random access procedures illustrated in FIGS. 13A and 13B, a base station may, prior to initiation of the procedure, transmit a configuration message 1330 to the UE. The configuration message 1330 may be analogous in some respects to the configuration message 1310 and/or the configuration message 1320. The procedure illustrated in FIG. 13C comprises transmission of two messages: a Msg A 1331 and a Msg B 1332.

[0185] Msg A 1331 may be transmitted in an uplink transmission by the UE. Msg A 1331 may comprise one or more transmissions of a preamble 1341 and/or one or more transmissions of a transport block 1342. The transport block 1342 may comprise contents that are similar and/or equivalent to the contents of the Msg 3 1313 illustrated in FIG. 13A. The transport block 1342 may comprise UCI (e.g., an SR, a HARQ ACK/NACK, and/or the like). The UE may receive the Msg B 1332 after or in response to transmitting the Msg A 1331. The Msg B 1332 may comprise contents that are similar and/or equivalent to the contents of the Msg

2 1312 (e.g., an RAR) illustrated in FIGS. 13A and 13B and/or the Msg 4 1314 illustrated in FIG. 13A.

[0186] The UE may initiate the two-step random access procedure in FIG. 13C for licensed spectrum and/or unlicensed spectrum. The UE may determine, based on one or more factors, whether to initiate the two-step random access procedure. The one or more factors may be: a radio access technology in use (e.g., LTE, NR, and/or the like); whether the UE has valid TA or not; a cell size; the UE's RRC state; a type of spectrum (e.g., licensed vs. unlicensed); and/or any other suitable factors.

[0187] The UE may determine, based on two-step RACH parameters included in the configuration message 1330, a radio resource and/or an uplink transmit power for the preamble 1341 and/or the transport block 1342 included in the Msg A 1331. The RACH parameters may indicate a modulation and coding schemes (MCS), a time-frequency resource, and/or a power control for the preamble 1341 and/or the transport block 1342. A time-frequency resource for transmission of the preamble 1341 (e.g., a PRACH) and a time-frequency resource for transmission of the transport block 1342 (e.g., a PUSCH) may be multiplexed using FDM, TDM, and/or CDM. The RACH parameters may enable the UE to determine a reception timing and a downlink channel for monitoring for and/or receiving Msg B 1332.

[0188] The transport block 1342 may comprise data (e.g., delay-sensitive data), an identifier of the UE, security information, and/or device information (e.g., an International Mobile Subscriber Identity (IMSI)). The base station may transmit the Msg B 1332 as a response to the Msg A 1331. The Msg B 1332 may comprise at least one of following: a preamble identifier; a timing advance command; a power control command; an uplink grant (e.g., a radio resource assignment and/or an MCS); a UE identifier for contention resolution; and/or an RNTI (e.g., a C-RNTI or a TC-RNTI). The UE may determine that the two-step random access procedure is successfully completed if: a preamble identifier in the Msg B 1332 is matched to a preamble transmitted by the UE; and/or the identifier of the UE in Msg B 1332 is matched to the identifier of the UE in the Msg A 1331 (e.g., the transport block 1342).

[0189] A UE and a base station may exchange control signaling. The control signaling may be referred to as L1/L2 control signaling and may originate from the PHY layer (e.g., layer 1) and/or the MAC layer (e.g., layer 2). The control signaling may comprise downlink control signaling transmitted from the base station to the UE and/or uplink control signaling transmitted from the UE to the base station.

[0190] The downlink control signaling may comprise: a downlink scheduling assignment; an uplink scheduling grant indicating uplink radio resources and/or a transport format; a slot format information; a preemption indication; a power control command; and/or any other suitable signaling. The UE may receive the downlink control signaling in a payload transmitted by the base station on a physical downlink control channel (PDCCH). The payload transmitted on the PDCCH may be referred to as downlink control information (DCI). In some scenarios, the PDCCH may be a group common PDCCH (GC-PDCCH) that is common to a group of UEs.

[0191] A base station may attach one or more cyclic redundancy check (CRC) parity bits to a DCI in order to facilitate detection of transmission errors. When the DCI is

intended for a UE (or a group of the UEs), the base station may scramble the CRC parity bits with an identifier of the UE (or an identifier of the group of the UEs). Scrambling the CRC parity bits with the identifier may comprise Modulo-2 addition (or an exclusive OR operation) of the identifier value and the CRC parity bits. The identifier may comprise a 16-bit value of a radio network temporary identifier (RNTI).

[0192] DCIs may be used for different purposes. A purpose may be indicated by the type of RNTI used to scramble the CRC parity bits. For example, a DCI having CRC parity bits scrambled with a paging RNTI (P-RNTI) may indicate paging information and/or a system information change notification. The P-RNTI may be predefined as “FFFF” in hexadecimal. A DCI having CRC parity bits scrambled with a system information RNTI (SI-RNTI) may indicate a broadcast transmission of the system information. The SI-RNTI may be predefined as “FFFF” in hexadecimal. A DCI having CRC parity bits scrambled with a random access RNTI (RA-RNTI) may indicate a random access response (RAR). A DCI having CRC parity bits scrambled with a cell RNTI (C-RNTI) may indicate a dynamically scheduled unicast transmission and/or a triggering of PDCCH-ordered random access. A DCI having CRC parity bits scrambled with a temporary cell RNTI (TC-RNTI) may indicate a contention resolution (e.g., a Msg 3 analogous to the Msg 3 **1313** illustrated in FIG. 13A). Other RNTIs configured to the UE by a base station may comprise a Configured Scheduling RNTI (CS-RNTI), a Transmit Power Control-PUCCH RNTI (TPC-PUCCH-RNTI), a Transmit Power Control-PUSCH RNTI (TPC-PUSCH-RNTI), a Transmit Power Control-SRS RNTI (TPC-SRS-RNTI), an Interruption RNTI (INT-RNTI), a Slot Format Indication RNTI (SFI-RNTI), a Semi-Persistent CSI RNTI (SP-CSI-RNTI), a Modulation and Coding Scheme Cell RNTI (MCS-C-RNTI), and/or the like.

[0193] Depending on the purpose and/or content of a DCI, the base station may transmit the DCIs with one or more DCI formats. For example, DCI format 0_0 may be used for scheduling of PUSCH in a cell. DCI format 0_0 may be a fallback DCI format (e.g., with compact DCI payloads). DCI format 0_1 may be used for scheduling of PUSCH in a cell (e.g., with more DCI payloads than DCI format 0_0). DCI format 1_0 may be used for scheduling of PDSCH in a cell. DCI format 1_0 may be a fallback DCI format (e.g., with compact DCI payloads). DCI format 1_1 may be used for scheduling of PDSCH in a cell (e.g., with more DCI payloads than DCI format 1_0). DCI format 2_0 may be used for providing a slot format indication to a group of UEs. DCI format 2_1 may be used for notifying a group of UEs of a physical resource block and/or OFDM symbol where the UE may assume no transmission is intended to the UE. DCI format 2_2 may be used for transmission of a transmit power control (TPC) command for PUCCH or PUSCH. DCI format 2_3 may be used for transmission of a group of TPC commands for SRS transmissions by one or more UEs. DCI format(s) for new functions may be defined in future releases. DCI formats may have different DCI sizes, or may share the same DCI size.

[0194] After scrambling a DCI with a RNTI, the base station may process the DCI with channel coding (e.g., polar coding), rate matching, scrambling and/or QPSK modulation. A base station may map the coded and modulated DCI on resource elements used and/or configured for a PDCCH.

Based on a payload size of the DCI and/or a coverage of the base station, the base station may transmit the DCI via a PDCCH occupying a number of contiguous control channel elements (CCEs). The number of the contiguous CCEs (referred to as aggregation level) may be 1, 2, 4, 8, 16, and/or any other suitable number. A CCE may comprise a number (e.g., 6) of resource-element groups (REGs). A REG may comprise a resource block in an OFDM symbol. The mapping of the coded and modulated DCI on the resource elements may be based on mapping of CCEs and REGs (e.g., CCE-to-REG mapping).

[0195] FIG. 14A illustrates an example of CORESET configurations for a bandwidth part. The base station may transmit a DCI via a PDCCH on one or more control resource sets (CORESETs). A CORESET may comprise a time-frequency resource in which the UE tries to decode a DCI using one or more search spaces. The base station may configure a CORESET in the time-frequency domain. In the example of FIG. 14A, a first CORESET **1401** and a second CORESET **1402** occur at the first symbol in a slot. The first CORESET **1401** overlaps with the second CORESET **1402** in the frequency domain. A third CORESET **1403** occurs at a third symbol in the slot. A fourth CORESET **1404** occurs at the seventh symbol in the slot. CORESETs may have a different number of resource blocks in frequency domain.

[0196] FIG. 14B illustrates an example of a CCE-to-REG mapping for DCI transmission on a CORESET and PDCCH processing. The CCE-to-REG mapping may be an interleaved mapping (e.g., for the purpose of providing frequency diversity) or a non-interleaved mapping (e.g., for the purposes of facilitating interference coordination and/or frequency-selective transmission of control channels). The base station may perform different or same CCE-to-REG mapping on different CORESETs. A CORESET may be associated with a CCE-to-REG mapping by RRC configuration. A CORESET may be configured with an antenna port quasi co-location (QCL) parameter. The antenna port QCL parameter may indicate QCL information of a demodulation reference signal (DMRS) for PDCCH reception in the CORESET.

[0197] The base station may transmit, to the UE, RRC messages comprising configuration parameters of one or more CORESETs and one or more search space sets. The configuration parameters may indicate an association between a search space set and a CORESET. A search space set may comprise a set of PDCCH candidates formed by CCEs at a given aggregation level. The configuration parameters may indicate: a number of PDCCH candidates to be monitored per aggregation level; a PDCCH monitoring periodicity and a PDCCH monitoring pattern; one or more DCI formats to be monitored by the UE; and/or whether a search space set is a common search space set or a UE-specific search space set. A set of CCEs in the common search space set may be predefined and known to the UE. A set of CCEs in the UE-specific search space set may be configured based on the UE's identity (e.g., C-RNTI).

[0198] As shown in FIG. 14B, the UE may determine a time-frequency resource for a CORESET based on RRC messages. The UE may determine a CCE-to-REG mapping (e.g., interleaved or non-interleaved, and/or mapping parameters) for the CORESET based on configuration parameters of the CORESET. The UE may determine a number (e.g., at most 10) of search space sets configured on the CORESET based on the RRC messages. The UE may monitor a set of

PDCCH candidates according to configuration parameters of a search space set. The UE may monitor a set of PDCCH candidates in one or more CORESETs for detecting one or more DCIs. Monitoring may comprise decoding one or more PDCCH candidates of the set of the PDCCH candidates according to the monitored DCI formats. Monitoring may comprise decoding a DCI content of one or more PDCCH candidates with possible (or configured) PDCCH locations, possible (or configured) PDCCH formats (e.g., number of CCEs, number of PDCCH candidates in common search spaces, and/or number of PDCCH candidates in the UE-specific search spaces) and possible (or configured) DCI formats. The decoding may be referred to as blind decoding. The UE may determine a DCI as valid for the UE, in response to CRC checking (e.g., scrambled bits for CRC parity bits of the DCI matching a RNTI value). The UE may process information contained in the DCI (e.g., a scheduling assignment, an uplink grant, power control, a slot format indication, a downlink preemption, and/or the like).

[0199] The UE may transmit uplink control signaling (e.g., uplink control information (UCI)) to a base station. The uplink control signaling may comprise hybrid automatic repeat request (HARQ) acknowledgements for received DL-SCH transport blocks. The UE may transmit the HARQ acknowledgements after receiving a DL-SCH transport block. Uplink control signaling may comprise channel state information (CSI) indicating channel quality of a physical downlink channel. The UE may transmit the CSI to the base station. The base station, based on the received CSI, may determine transmission format parameters (e.g., comprising multi-antenna and beamforming schemes) for a downlink transmission. Uplink control signaling may comprise scheduling requests (SR). The UE may transmit an SR indicating that uplink data is available for transmission to the base station. The UE may transmit a UCI (e.g., HARQ acknowledgements (HARQ-ACK), CSI report, SR, and the like) via a physical uplink control channel (PUCCH) or a physical uplink shared channel (PUSCH). The UE may transmit the uplink control signaling via a PUCCH using one of several PUCCH formats.

[0200] There may be five PUCCH formats and the UE may determine a PUCCH format based on a size of the UCI (e.g., a number of uplink symbols of UCI transmission and a number of UCI bits). PUCCH format 0 may have a length of one or two OFDM symbols and may include two or fewer bits. The UE may transmit UCI in a PUCCH resource using PUCCH format 0 if the transmission is over one or two symbols and the number of HARQ-ACK information bits with positive or negative SR (HARQ-ACK/SR bits) is one or two. PUCCH format 1 may occupy a number between four and fourteen OFDM symbols and may include two or fewer bits. The UE may use PUCCH format 1 if the transmission is four or more symbols and the number of HARQ-ACK/SR bits is one or two. PUCCH format 2 may occupy one or two OFDM symbols and may include more than two bits. The UE may use PUCCH format 2 if the transmission is over one or two symbols and the number of UCI bits is two or more. PUCCH format 3 may occupy a number between four and fourteen OFDM symbols and may include more than two bits. The UE may use PUCCH format 3 if the transmission is four or more symbols, the number of UCI bits is two or more and PUCCH resource does not include an orthogonal cover code. PUCCH format 4 may occupy a number between four and fourteen OFDM symbols

and may include more than two bits. The UE may use PUCCH format 4 if the transmission is four or more symbols, the number of UCI bits is two or more and the PUCCH resource includes an orthogonal cover code.

[0201] The base station may transmit configuration parameters to the UE for a plurality of PUCCH resource sets using, for example, an RRC message. The plurality of PUCCH resource sets (e.g., up to four sets) may be configured on an uplink BWP of a cell. A PUCCH resource set may be configured with a PUCCH resource set index, a plurality of PUCCH resources with a PUCCH resource being identified by a PUCCH resource identifier (e.g., pucch-Resourceid), and/or a number (e.g. a maximum number) of UCI information bits the UE may transmit using one of the plurality of PUCCH resources in the PUCCH resource set. When configured with a plurality of PUCCH resource sets, the UE may select one of the plurality of PUCCH resource sets based on a total bit length of the UCI information bits (e.g., HARQ-ACK, SR, and/or CSI). If the total bit length of UCI information bits is two or fewer, the UE may select a first PUCCH resource set having a PUCCH resource set index equal to "0". If the total bit length of UCI information bits is greater than two and less than or equal to a first configured value, the UE may select a second PUCCH resource set having a PUCCH resource set index equal to "1". If the total bit length of UCI information bits is greater than the first configured value and less than or equal to a second configured value, the UE may select a third PUCCH resource set having a PUCCH resource set index equal to "2". If the total bit length of UCI information bits is greater than the second configured value and less than or equal to a third value (e.g., 1406), the UE may select a fourth PUCCH resource set having a PUCCH resource set index equal to "3".

[0202] After determining a PUCCH resource set from a plurality of PUCCH resource sets, the UE may determine a PUCCH resource from the PUCCH resource set for UCI (HARQ-ACK, CSI, and/or SR) transmission. The UE may determine the PUCCH resource based on a PUCCH resource indicator in a DCI (e.g., with a DCI format 1₀ or DCI for 1₁) received on a PDCCH. A three-bit PUCCH resource indicator in the DCI may indicate one of eight PUCCH resources in the PUCCH resource set. Based on the PUCCH resource indicator, the UE may transmit the UCI (HARQ-ACK, CSI and/or SR) using a PUCCH resource indicated by the PUCCH resource indicator in the DCI.

[0203] FIG. 15 illustrates an example of a wireless device 1502 in communication with a base station 1504 in accordance with embodiments of the present disclosure. The wireless device 1502 and base station 1504 may be part of a mobile communication network, such as the mobile communication network 100 illustrated in FIG. 1A, the mobile communication network 150 illustrated in FIG. 1B, or any other communication network. Only one wireless device 1502 and one base station 1504 are illustrated in FIG. 15, but it will be understood that a mobile communication network may include more than one UE and/or more than one base station, with the same or similar configuration as those shown in FIG. 15.

[0204] The base station 1504 may connect the wireless device 1502 to a core network (not shown) through radio communications over the air interface (or radio interface) 1506. The communication direction from the base station 1504 to the wireless device 1502 over the air interface 1506

is known as the downlink, and the communication direction from the wireless device **1502** to the base station **1504** over the air interface is known as the uplink. Downlink transmissions may be separated from uplink transmissions using FDD, TDD, and/or some combination of the two duplexing techniques.

[0205] In the downlink, data to be sent to the wireless device **1502** from the base station **1504** may be provided to the processing system **1508** of the base station **1504**. The data may be provided to the processing system **1508** by, for example, a core network. In the uplink, data to be sent to the base station **1504** from the wireless device **1502** may be provided to the processing system **1518** of the wireless device **1502**. The processing system **1508** and the processing system **1518** may implement layer 3 and layer 2 OSI functionality to process the data for transmission. Layer 2 may include an SDAP layer, a PDCP layer, an RLC layer, and a MAC layer, for example, with respect to FIG. 2A, FIG. 2B, FIG. 3, and FIG. 4A. Layer 3 may include an RRC layer as with respect to FIG. 2B.

[0206] After being processed by processing system **1508**, the data to be sent to the wireless device **1502** may be provided to a transmission processing system **1510** of base station **1504**. Similarly, after being processed by the processing system **1518**, the data to be sent to base station **1504** may be provided to a transmission processing system **1520** of the wireless device **1502**. The transmission processing system **1510** and the transmission processing system **1520** may implement layer 1 OSI functionality. Layer 1 may include a PHY layer with respect to FIG. 2A, FIG. 2B, FIG. 3, and FIG. 4A. For transmit processing, the PHY layer may perform, for example, forward error correction coding of transport channels, interleaving, rate matching, mapping of transport channels to physical channels, modulation of physical channel, multiple-input multiple-output (MIMO) or multi-antenna processing, and/or the like.

[0207] At the base station **1504**, a reception processing system **1512** may receive the uplink transmission from the wireless device **1502**. At the wireless device **1502**, a reception processing system **1522** may receive the downlink transmission from base station **1504**. The reception processing system **1512** and the reception processing system **1522** may implement layer 1 OSI functionality. Layer 1 may include a PHY layer with respect to FIG. 2A, FIG. 2B, FIG. 3, and FIG. 4A. For receive processing, the PHY layer may perform, for example, error detection, forward error correction decoding, deinterleaving, demapping of transport channels to physical channels, demodulation of physical channels, MIMO or multi-antenna processing, and/or the like.

[0208] As shown in FIG. 15, a wireless device **1502** and the base station **1504** may include multiple antennas. The multiple antennas may be used to perform one or more MIMO or multi-antenna techniques, such as spatial multiplexing (e.g., single-user MIMO or multi-user MIMO), transmit/receive diversity, and/or beamforming. In other examples, the wireless device **1502** and/or the base station **1504** may have a single antenna.

[0209] The processing system **1508** and the processing system **1518** may be associated with a memory **1514** and a memory **1524**, respectively. Memory **1514** and memory **1524** (e.g., one or more non-transitory computer readable mediums) may store computer program instructions or code that may be executed by the processing system **1508** and/or the processing system **1518** to carry out one or more of the

functionalities discussed in the present application. Although not shown in FIG. 15, the transmission processing system **1510**, the transmission processing system **1520**, the reception processing system **1512**, and/or the reception processing system **1522** may be coupled to a memory (e.g., one or more non-transitory computer readable mediums) storing computer program instructions or code that may be executed to carry out one or more of their respective functionalities.

[0210] The processing system **1508** and/or the processing system **1518** may comprise one or more controllers and/or one or more processors. The one or more controllers and/or one or more processors may comprise, for example, a general-purpose processor, a digital signal processor (DSP), a microcontroller, an application specific integrated circuit (ASIC), a field programmable gate array (FPGA) and/or other programmable logic device, discrete gate and/or transistor logic, discrete hardware components, an on-board unit, or any combination thereof. The processing system **1508** and/or the processing system **1518** may perform at least one of signal coding/processing, data processing, power control, input/output processing, and/or any other functionality that may enable the wireless device **1502** and the base station **1504** to operate in a wireless environment.

[0211] The processing system **1508** and/or the processing system **1518** may be connected to one or more peripherals **1516** and one or more peripherals **1526**, respectively. The one or more peripherals **1516** and the one or more peripherals **1526** may include software and/or hardware that provide features and/or functionalities, for example, a speaker, a microphone, a keypad, a display, a touchpad, a power source, a satellite transceiver, a universal serial bus (USB) port, a hands-free headset, a frequency modulated (FM) radio unit, a media player, an Internet browser, an electronic control unit (e.g., for a motor vehicle), and/or one or more sensors (e.g., an accelerometer, a gyroscope, a temperature sensor, a radar sensor, a lidar sensor, an ultrasonic sensor, a light sensor, a camera, and/or the like). The processing system **1508** and/or the processing system **1518** may receive user input data from and/or provide user output data to the one or more peripherals **1516** and/or the one or more peripherals **1526**. The processing system **1518** in the wireless device **1502** may receive power from a power source and/or may be configured to distribute the power to the other components in the wireless device **1502**. The power source may comprise one or more sources of power, for example, a battery, a solar cell, a fuel cell, or any combination thereof. The processing system **1508** and/or the processing system **1518** may be connected to a GPS chipset **1517** and a GPS chipset **1527**, respectively. The GPS chipset **1517** and the GPS chipset **1527** may be configured to provide geographic location information of the wireless device **1502** and the base station **1504**, respectively.

[0212] FIG. 16A illustrates an example structure for uplink transmission. A baseband signal representing a physical uplink shared channel may perform one or more functions. The one or more functions may comprise at least one of: scrambling; modulation of scrambled bits to generate complex-valued symbols; mapping of the complex-valued modulation symbols onto one or several transmission layers; transform precoding to generate complex-valued symbols; precoding of the complex-valued symbols; mapping of precoded complex-valued symbols to resource elements; generation of complex-valued time-domain Single Carrier-

Frequency Division Multiple Access (SC-FDMA) or CP-OFDM signal for an antenna port; and/or the like. In an example, when transform precoding is enabled, a SC-FDMA signal for uplink transmission may be generated. In an example, when transform precoding is not enabled, an CP-OFDM signal for uplink transmission may be generated by FIG. 16A. These functions are illustrated as examples and it is anticipated that other mechanisms may be implemented in various embodiments.

[0213] FIG. 16B illustrates an example structure for modulation and up-conversion of a baseband signal to a carrier frequency. The baseband signal may be a complex-valued SC-FDMA or CP-OFDM baseband signal for an antenna port and/or a complex-valued Physical Random Access Channel (PRACH) baseband signal. Filtering may be employed prior to transmission.

[0214] FIG. 16C illustrates an example structure for downlink transmissions. A baseband signal representing a physical downlink channel may perform one or more functions. The one or more functions may comprise: scrambling of coded bits in a codeword to be transmitted on a physical channel; modulation of scrambled bits to generate complex-valued modulation symbols; mapping of the complex-valued modulation symbols onto one or several transmission layers; precoding of the complex-valued modulation symbols on a layer for transmission on the antenna ports; mapping of complex-valued modulation symbols for an antenna port to resource elements; generation of complex-valued time-domain OFDM signal for an antenna port; and/or the like. These functions are illustrated as examples and it is anticipated that other mechanisms may be implemented in various embodiments.

[0215] FIG. 16D illustrates another example structure for modulation and up-conversion of a baseband signal to a carrier frequency. The baseband signal may be a complex-valued OFDM baseband signal for an antenna port. Filtering may be employed prior to transmission.

[0216] A wireless device may receive from a base station one or more messages (e.g. RRC messages) comprising configuration parameters of a plurality of cells (e.g. primary cell, secondary cell). The wireless device may communicate with at least one base station (e.g. two or more base stations in dual-connectivity) via the plurality of cells. The one or more messages (e.g. as a part of the configuration parameters) may comprise parameters of physical, MAC, RLC, PDCP, SDAP, RRC layers for configuring the wireless device. For example, the configuration parameters may comprise parameters for configuring physical and MAC layer channels, bearers, etc. For example, the configuration parameters may comprise parameters indicating values of timers for physical, MAC, RLC, PDCP, SDAP, RRC layers, and/or communication channels.

[0217] A timer may begin running once it is started and continue running until it is stopped or until it expires. A timer may be started if it is not running or restarted if it is running. A timer may be associated with a value (e.g. the timer may be started or restarted from a value or may be started from zero and expire once it reaches the value). The duration of a timer may not be updated until the timer is stopped or expires (e.g., due to BWP switching). A timer may be used to measure a time period/window for a process. When the specification refers to an implementation and procedure related to one or more timers, it will be understood that there are multiple ways to implement the one or more timers. For

example, it will be understood that one or more of the multiple ways to implement a timer may be used to measure a time period/window for the procedure. For example, a random access response window timer may be used for measuring a window of time for receiving a random access response. In an example, instead of starting and expiry of a random access response window timer, the time difference between two time stamps may be used. When a timer is restarted, a process for measurement of time window may be restarted. Other example implementations may be provided to restart a measurement of a time window.

[0218] In an example, a wireless device may be equipped with a plurality of antenna panels. In an example, each antenna panel of the plurality of antenna panels may face a different direction. In an example, each antenna panel of the plurality of antenna panels may transmit/receive with a different beam. In an example, each antenna panel of the plurality of antenna panels may have a different channel condition/environment.

[0219] In an example, a wireless device may activate (or deactivate) an antenna panel of the plurality of antenna panels. In an example, the wireless device may activate the antenna panel to increase robustness (e.g., increase detection probability of an uplink signal/channel or a downlink signal/channel). In an example, the wireless device may deactivate the antenna panel to reduce power consumption at the wireless device.

[0220] In an example, the wireless device may transmit, to a base station, an uplink report indicating the activating (or deactivating) of the antenna panel. The wireless device may transmit the uplink report periodically. The uplink report may indicate/comprise a respective activation/deactivation status of each antenna panel of the plurality of antenna panels. In an example, the wireless device may transmit the uplink report in/via a periodic beam reporting. In an example, the wireless device may transmit the uplink report in/via a MAC CE.

[0221] In existing systems, the base station may not be aware of the activating (or deactivating) the antenna panel until the wireless device transmits the uplink report (or until the base station receives the uplink report). Based on base station not being aware of the activating (or deactivating) the antenna panel, the base station may transmit a downlink information (e.g., MAC CE, DCI) indicating/triggering an activation of the antenna panel that is deactivated by the wireless device. Based on base station not being aware of the activating (or deactivating) the antenna panel, the base station may transmit a downlink information (e.g., MAC CE, DCI) scheduling an uplink transmission (e.g., PUSCH) via the antenna panel that is deactivated by the wireless device.

[0222] The misalignment on the active/deactivated panels between the wireless device and the base station in the existing systems may reduce the efficiency of a communication system. In an example, the base station may schedule a transmission via an antenna panel that is deactivated by the wireless device. The wireless device may not transmit/receive via the (deactivated) antenna panel resulting in a waste of time-frequency resources assigned for the scheduled transmission. Based on the wireless device not transmitting for the scheduled transmission, the base station may reschedule the transmission via the antenna panel by transmitting a second downlink information. This may increase the signaling overhead and/or increase the communication

latency/delay. In an example, the base station may transmit the downlink information on/via the (deactivated) antenna panel. The wireless device may not receive the downlink information via the (deactivated) antenna panel. This may lead to missing receiving/detecting transport block, downlink control information, etc. resulting in reduced data rate of the communication system and increased error rate. There is a need to implement an enhanced procedure to reduce the misalignment on the active/deactivated panels between the wireless device and the base station.

[0223] Example embodiments implement an enhanced procedure to reduce the misalignment on the active/deactivated panels between the wireless device and the base station.

[0224] In an example embodiment, the wireless device may activate/deactivate an antenna panel based on transmitting an uplink report indicating the activating/deactivating of the antenna panel. The wireless device may not activate/deactivate the antenna panel before transmitting the uplink report.

[0225] In an example embodiment, the wireless device may activate/deactivate an antenna panel based on receiving, from the base station, an acknowledgement for an uplink report indicating the activating/deactivating of the antenna panel. The wireless device may not activate/deactivate the antenna panel before receiving the acknowledgement.

[0226] In an example embodiment, the wireless device may activate/deactivate an antenna panel based on an expiry of a time window. The wireless device may start the time window in response to transmitting an uplink report indicating the activating/deactivating of the antenna panel.

[0227] In an example embodiment, the wireless device may ignore a downlink information (e.g., MAC CE, DCI), transmitted by the base station, indicating/triggering an activation of an antenna panel that is deactivated by the wireless device. In an example, the wireless device may not activate the antenna panel based on the ignoring. In an example, the wireless device may not transmit via the antenna panel based on the ignoring the downlink information. Based on not receiving via uplink resources indicated by the downlink information, the base station may be aware of the wireless device not activating the antenna panel (or ignoring of the downlink information). In an example, based on the ignoring the downlink information, the wireless device may indicate, to the base station, the ignoring of the downlink information by transmitting an uplink signal/message (e.g., RRC reject, by transmitting via SR resources, transmitting ACK/NACK, etc.).

[0228] This enhanced process reduces signaling overhead, retransmissions and rescheduling, reduces delay/latency of a communication, reduces wasting time-frequency resources, improves data rate and/or reduces error rate.

[0229] FIG. 17, FIG. 18, FIG. 19, FIG. 20 and FIG. 21 illustrate examples of an antenna panel activation/deactivation as per an aspect of an embodiment of the present disclosure.

[0230] FIG. 22 illustrate an example flow diagram of an antenna panel activation/deactivation disclosed in FIG. 21.

[0231] In an example, a wireless device may receive one or more messages (e.g., time T0 in FIG. 17-FIG. 21). In an example, the wireless device may receive the one or more messages from a base station. The one or more messages may comprise one or more configuration parameters.

[0232] In an example, the one or more configuration parameters may be for a cell. The cell may be a primary cell (PCell). In an example, the cell may be a secondary cell (SCell). The cell may be a secondary cell configured with PUCCH (e.g., PUCCH SCell). In an example, the cell may be an unlicensed cell. In an example, the cell may be a licensed cell.

[0233] In an example, the cell may comprise a plurality of BWPs. The plurality of BWPs may comprise one or more uplink BWPs comprising an uplink BWP of the cell. The plurality of BWPs may comprise one or more downlink BWPs comprising a downlink BWP of the cell.

[0234] In an example, a BWP of the plurality of BWPs may be in one of an active state and an inactive state. In an example, the active state of a downlink BWP of the one or more downlink BWPs may comprise monitoring a downlink channel/signal (e.g., PDCCH, DCI, CSI-RS, PDSCH) on/for/via the downlink BWP. In an example, the active state of a downlink BWP of the one or more downlink BWPs may comprise receiving a PDSCH on/via the downlink BWP. In an example, the inactive state of a downlink BWP of the one or more downlink BWPs may comprise not monitoring a downlink channel/signal (e.g., PDCCH, DCI, CSI-RS, PDSCH) on/for the downlink BWP. In an example, the inactive state of a downlink BWP of the one or more downlink BWPs may comprise not receiving a PDSCH on/via the downlink BWP.

[0235] In an example, the active state of an uplink BWP of the one or more uplink BWPs may comprise transmitting an uplink signal/channel (e.g., PUCCH, preamble, PUSCH, PRACH, SRS, etc.) via the uplink BWP. In an example, the inactive state of an uplink BWP of the one or more uplink BWPs may comprise not transmitting an uplink signal/channel (e.g., PUCCH, preamble, PUSCH, PRACH, SRS, etc.) via the uplink BWP.

[0236] In an example, the wireless device may activate the downlink BWP of the one or more downlink BWPs of the cell. In an example, the activating the downlink BWP may comprise that the wireless device sets the downlink BWP as an active downlink BWP of the cell. In an example, the activating the downlink BWP may comprise that the wireless device sets the downlink BWP in the active state. In an example, the activating the downlink BWP may comprise switching the downlink BWP from the inactive state to the active state.

[0237] In an example, the wireless device may activate the uplink BWP of the one or more uplink BWPs of the cell. In an example, the activating the uplink BWP may comprise that the wireless device sets the uplink BWP as an active uplink BWP of the cell. In an example, the activating the uplink BWP may comprise that the wireless device sets the uplink BWP in the active state. In an example, the activating the uplink BWP may comprise switching the uplink BWP from the inactive state to the active state.

[0238] In an example, the wireless device may be equipped with a plurality of antenna panels (e.g., Panel 1 and Panel 2 in FIG. 17-FIG. 21).

[0239] In an example, an antenna panel of the plurality of antenna panels may be in one of an active state and a deactivated state. In an example, the active state of an antenna panel may comprise monitoring a downlink channel/signal (e.g., PDCCH, DCI, CSI-RS, PDSCH, RS) on/via/with the antenna panel. In an example, the active state of an antenna panel may comprise receiving a downlink

channel/signal (e.g., PDCCH, DCI, CSI-RS, PDSCH, RS) on/via/with the antenna panel. In an example, the active state of an antenna panel may comprise transmitting an uplink signal/channel (e.g., PUCCH, preamble, PUSCH, PRACH, SRS, etc.) on/via/with the antenna panel.

[0240] In an example, the deactivated state of an antenna panel may comprise not monitoring a downlink channel/signal (e.g., PDCCH, DCI, CSI-RS, PDSCH, RS) on/via/with the antenna panel. In an example, the deactivated state of an antenna panel may comprise not receiving a downlink channel/signal (e.g., PDCCH, DCI, CSI-RS, PDSCH, RS) on/via/with the antenna panel. In an example, the deactivated state of an antenna panel may comprise not transmitting an uplink signal/channel (e.g., PUCCH, preamble, PUSCH, PRACH, SRS, etc.) on/via/with the antenna panel.

[0241] In an example, the one or more configuration parameters may indicate panel indices (e.g., provided by a higher layer parameter) for the plurality of antenna panels. In an example, each antenna panel of the plurality of antenna panels may be identified by a respective panel index of the panel indices. In an example, a first antenna panel (e.g., Panel 1 in FIG. 17-FIG. 21) of the plurality of antenna panels may be identified by a first panel index of the panel indices. In an example, a second antenna panel (e.g., Panel 2 in FIG. 17-FIG. 21) of the plurality of antenna panels may be identified by a second panel index of the panel indices.

[0242] In an example, the one or more configuration parameters may indicate one or more sounding reference signal (SRS) resource sets for the cell (e.g., by a higher layer parameter SRS-ResourceSet). In an example, the one or more configuration parameters may indicate srs resource set indices (e.g., provided by a higher layer parameter SRS-ResourceSetId) for the one or more SRS resource sets. In an example, each SRS resource set of the one or more SRS resource sets may be identified by a respective one srs resource set index of the srs resource set indices. In an example, a first SRS resource set of the one or more SRS resource sets may be identified by a first srs resource set index. In an example, a second SRS resource set of the one or more SRS resource sets may be identified by a second srs resource set index.

[0243] In an example, the wireless device may transmit a first SRS for the first SRS resource set via a first antenna panel (e.g., Panel 1 in FIG. 17-FIG. 21) of the plurality of antenna panels. In an example, the wireless device may transmit a second SRS for the second SRS resource set via a second antenna panel (e.g., Panel 2 in FIG. 17-FIG. 21) of the plurality of antenna panels. In an example, each SRS resource set may be associated with a respective antenna panel of the plurality of antenna panels. In an example, the first srs resource set index may identify the first antenna panel. In an example, the second srs resource set index may identify the second antenna panel. In an example, the first panel index and the first srs resource set index may be the same. In an example, the second panel index and the second srs resource set index may be the same. In an example, each antenna panel of the plurality of antenna panels may be identified by a respective one srs resource set index of the srs resource set indices. In an example, based on the transmitting first SRS for the first SRS resource set via the first antenna panel, the first panel index may be equal to the first srs resource set index. In an example, based on the transmitting second SRS for the second SRS resource set via the

second antenna panel, the second panel index may be equal to the second srs resource set index.

[0244] In an example, the one or more configuration parameters may indicate one or more control resource sets (coresets) for the cell. In an example, the one or more configuration parameters may indicate the one or more coresets on/for the downlink BWP of the cell.

[0245] In an example, the wireless device may activate an antenna panel (e.g., Panel 2 in FIG. 17-FIG. 21) of the plurality of antenna panels. The antenna panel may be identified by a panel index of the panel indices. In an example, the activating the antenna panel may comprise that the wireless device sets the antenna panel as an active antenna panel. In an example, the activating the antenna panel may comprise that the wireless device sets the antenna panel in the active state. In an example, the activating the antenna panel may comprise switching/transitioning the antenna panel from a deactivated state to an active state.

[0246] In an example, the wireless device may deactivate the antenna panel (e.g., time T1 in FIG. 17). In an example, the deactivating the antenna panel may comprise switching/transitioning the antenna panel from an active state to a deactivated state.

[0247] In an example, the wireless device may indicate the deactivating of the antenna panel, e.g., to the base station. In an example, the wireless device may transmit an uplink report (e.g., group-based beam reporting, periodic beam reporting, MAC CE, RRC, scheduling request, uplink control information, CSI report, etc.) indicating the deactivating of the antenna panel (e.g., time T3 in FIG. 17). In an example, based on the deactivating of the antenna panel, the wireless device may transmit an uplink report (e.g., group-based beam reporting, periodic beam reporting, MAC CE, RRC, scheduling request, uplink control information, CSI report, etc.) indicating the deactivating of the antenna panel (e.g., time T3 in FIG. 17). The wireless device may transmit the uplink report via an uplink channel (e.g., PUCCH, PUSCH).

[0248] In an example, the base station may not be aware of the deactivating of the antenna panel, e.g., by the wireless device. In an example, the base station may assume the antenna panel, that is deactivated by the wireless device, is in an active state (e.g., between time T1 and time T3 in FIG. 17). The base station may be aware of the deactivating of the antenna panel based on receiving the uplink report (e.g., time T3 in FIG. 17). The base station may be aware of the antenna panel being in the deactivated state based on receiving the uplink report (e.g., time T3 in FIG. 17).

[0249] In an example, the wireless device may receive a downlink information (e.g., DCI, RRC, MAC CE, PDCCH order, PDCCH, PDSCH at time T2 in FIG. 17). In an example, the wireless device may receive the downlink information in a time between the deactivating of the antenna panel (e.g., time T1 in FIG. 17) and transmitting the uplink report indicating the deactivating of the antenna panel (e.g., time T3 in FIG. 17).

[0250] In an example, the wireless device may receive the downlink information via an active antenna panel (e.g., Panel-1 in FIG. 17) different from the (deactivated) antenna panel. The plurality of antenna panels may comprise the active antenna panel. The active antenna panel may be in an active state.

[0251] In an example, the downlink information may indicate the (deactivated) antenna panel (e.g., Panel 2 in

FIG. 17). In an example, the downlink information may comprise a field (e.g., antenna panel field). The field may indicate the panel index of the antenna panel. A value of the field may be equal to (or the same as or may indicate or mapped to) the panel index of the antenna panel. In an example, the value of the field may be equal to (or indicate) a first panel index of a first antenna panel (e.g., Panel 1 in FIG. 17) of the plurality of antenna panels. Based on the value being equal to (or indicating) the first panel index of the first antenna panel, the downlink information may indicate the first antenna panel. In an example, the value of the field may be equal to (or indicate) a second panel index of a second antenna panel (e.g., Panel 2 in FIG. 17) of the plurality of antenna panels. Based on the value being equal to (or indicating) the second panel index of the second antenna panel, the downlink information may indicate the second antenna panel.

[0252] In an example, the base station may transmit the downlink information indicating the antenna panel to recommend activating the antenna panel. In an example, the base station may transmit the downlink information indicating the antenna panel to recommend the wireless device to activate the antenna panel. In an example, the base station may transmit the downlink information indicating the antenna panel to trigger activating the antenna panel. In an example, the base station may transmit the downlink information indicating the antenna panel to schedule a transmission/reception of a transport block (e.g., PUSCH/PDSCH) via the antenna panel. In an example, the downlink information may indicate activating of the antenna panel.

[0253] In an example, the downlink information may schedule transmission of a transport block (e.g., PUSCH) via the (deactivated) antenna panel. In an example, the downlink information may schedule transmission of the transport block via the antenna panel in a time (e.g., symbol, slot, subframe, mini-slot). The downlink information may comprise a field (e.g., time domain resource assignment field) indicating the time (e.g., a slot offset value) for the transmission of the transport block. In an example, the wireless device may transmit the transport block via the antenna panel in the time.

[0254] In an example, the downlink information may schedule reception of a transport block (e.g., PDSCH) via the (deactivated) antenna panel. In an example, the downlink information may schedule reception of the transport block via the antenna panel in a time (e.g., symbol, slot, subframe, mini-slot). The downlink information may comprise a field (e.g., time domain resource assignment field) indicating the time (e.g., a slot offset value) for the reception of the transport block. In an example, the wireless device may receive the transport block via the antenna panel in the time.

[0255] In an example, the wireless device may determine that the antenna panel (e.g., Panel 2 in FIG. 17) indicated by the downlink information is in the deactivated state (e.g., or not active, inactive).

[0256] In an example, based on the determining that the antenna panel indicated by the downlink information is in the deactivated state, the wireless device may activate the antenna panel. The activating the antenna panel may comprise transitioning the antenna panel into an active state, e.g., from the deactivated state.

[0257] In an example, the activating the antenna panel may take/last an antenna panel activation delay (e.g., 1

msec, 2 msec, 3 msec). In an example, the wireless device may activate the antenna panel in/within the antenna panel activation delay.

[0258] In an example, the antenna panel activation delay may be non-zero (e.g., 1 msec, 2 msec, 3 msec) when the downlink information triggers an active antenna panel change. In an example, the antenna panel activation delay may be non-zero when the wireless device activates the antenna panel indicated by the downlink information. In an example, the antenna panel activation delay may be non-zero when the downlink information indicates an antenna panel in a deactivated state. In an example, the wireless device may complete activating the antenna panel within the antenna panel activation delay. In an example, the wireless device may start activating the antenna panel in a first time (e.g., symbol, slot, frame, mini-slot). The wireless device may finish/complete activating the antenna panel at (or before) the first time plus the antenna panel activation delay.

[0259] In an example, the antenna panel activation delay may be zero when the downlink information does not trigger an active antenna panel change. In an example, the antenna panel activation delay may be zero when the wireless device does not activate an antenna panel indicated by the downlink information. In an example, the antenna panel activation delay may be zero when the downlink information indicates an antenna panel in an activated state.

[0260] In an example, deactivating an antenna panel may take/last an antenna panel deactivation delay (e.g., 1 msec, 2 msec, 3 msec). In an example, the wireless device may deactivate the antenna panel in/within the antenna panel deactivation delay.

[0261] In an example, the antenna panel deactivation delay may be non-zero (e.g., 1 msec, 2 msec, 3 msec) when the downlink information triggers an active antenna panel change. In an example, the antenna panel deactivation delay may be non-zero when the wireless device deactivates the antenna panel indicated by the downlink information. In an example, the antenna panel deactivation delay may be non-zero when the downlink information indicates an antenna panel in an activate state. In an example, the wireless device may complete deactivating the antenna panel within the antenna panel deactivation delay. In an example, the wireless device may start deactivating the antenna panel in a first time (e.g., symbol, slot, frame, mini-slot). The wireless device may finish/complete deactivating the antenna panel at (or before) the first time plus the antenna panel deactivation delay.

[0262] In an example, the antenna panel deactivation delay may be zero when the downlink information does not trigger an active antenna panel change. In an example, the antenna panel deactivation delay may be zero when the wireless device does not deactivate an antenna panel indicated by the downlink information. In an example, the antenna panel deactivation delay may be zero when the downlink information indicates an antenna panel in a deactivated state.

[0263] In an example, the wireless device may determine that the time to transmit/receive the transport block is equal to or greater than the antenna panel activation delay. The time to transmit/receive the transport block being equal to or greater than the antenna panel activation delay may comprise the time occurs after the activating of the antenna panel is completed. Based on the determining that time to transmit/

receive the transport block is equal to or greater than the antenna panel activation delay, the wireless device may activate the antenna panel.

[0264] In an example, the wireless device may transmit the transport block via/with the antenna panel indicated by the downlink information. In an example, based on the activating the antenna panel, the wireless device may transmit the transport block via/with the antenna panel indicated by the downlink information. The wireless device may transmit the transport block via at least one uplink resource (e.g., PUSCH occasion, time-frequency resource/occasion). In an example, the downlink information may indicate the at least one uplink resource. In an example, the one or more configuration parameters may indicate the at least one uplink resource. The one or more configuration parameters may indicate the at least one uplink resource (e.g., SRS resource) for the antenna panel.

[0265] In an example, based on receiving the transport block via the at least one uplink resource, the base station may be aware of the wireless device activating the antenna panel indicated by the downlink information. In an example, based on transmitting the transport block via the at least one uplink resource, the wireless device may indicate the activating of the antenna panel indicated by the downlink information.

[0266] In an example, based on transmitting the transport block via the at least one uplink resource, the wireless device may not transmit an uplink report indicating the activating of the antenna panel.

[0267] In an example, the wireless device may receive the transport block via/with the antenna panel indicated by the downlink information. In an example, based on the activating the antenna panel, the wireless device may receive the transport block via/with the antenna panel indicated by the downlink information. The wireless device may receive the transport block via at least one downlink resource (e.g., time-frequency resource/occasion). The downlink information may indicate the at least one downlink resource. In an example, the one or more configuration parameters may indicate the at least one downlink resource. The one or more configuration parameters may indicate the at least one downlink resource for the antenna panel.

[0268] In an example, the wireless device may not transmit an uplink report (e.g., time T3 in FIG. 17) indicating the deactivating of the antenna panel based on the activating the antenna panel. In an example, based on the activating the antenna panel indicated by the downlink information, the wireless device may transmit the uplink report (e.g., time T3 in FIG. 17) indicating the activating of the antenna panel.

[0269] In an example, based on the activating the antenna panel indicated by the downlink information, the wireless device may transmit an uplink signal/message (e.g., ACK/NACK, RRC complete) indicating activating of the antenna panel indicated by the downlink information. In an example, the wireless device may transmit the uplink signal/message via an uplink resource indicating the activating of the antenna panel indicated by the downlink information. In an example, the one or more configuration parameters may indicate the uplink resource. In an example, the one or more configuration parameters may indicate the uplink resource for a scheduling request (SR) transmission. In an example, the wireless device may piggyback the uplink signal/message on a SR to indicate activating of the antenna panel indicated by the downlink information. In an example, the

SR may be a positive SR (e.g., pending SR). In an example, the SR may be a negative SR (e.g., no pending SR).

[0270] In an example, the wireless device may ignore the downlink information indicating the antenna panel. In an example, the wireless device may ignore the downlink information indicating the antenna panel based on the deactivating of the antenna panel. In an example, the ignoring the downlink information may comprise not activating the antenna panel indicated by the downlink information. In an example, the ignoring the downlink information may comprise maintaining/keeping the antenna panel indicated by the downlink information in the deactivated state. In an example, the ignoring the downlink information may comprise not transmitting the transport block via/with the antenna panel indicated by the downlink information. In an example, the ignoring the downlink information may comprise not transmitting the transport block via the at least one uplink resource and the antenna panel indicated by the downlink information. In an example, the ignoring the downlink information may comprise not receiving the transport block via/with the antenna panel indicated by the downlink information. In an example, the ignoring the downlink information may comprise not receiving the transport block via the at least one downlink resource and the antenna panel indicated by the downlink information.

[0271] In an example, the ignoring the downlink information may comprise not transmitting an acknowledgement (ACK) for a reception of the downlink information. In an example, the ignoring the downlink information may comprise not transmitting a negative acknowledgement (NACK) for a reception of the downlink information. In an example, the ignoring the downlink information may comprise transmitting a negative acknowledgement (NACK) for a reception of the downlink information.

[0272] In an example, based on not receiving the transport block via the at least one uplink resource, the base station may be aware of the wireless device ignoring the downlink information. In an example, based on not receiving the transport block via the at least one uplink resource, the base station may be aware of the wireless device not activating the antenna panel indicated by the downlink information. In an example, based on not transmitting the transport block via the at least one uplink resource, the wireless device may indicate, to the base station, the ignoring of the downlink information. In an example, based on not transmitting the transport block via the at least one uplink resource, the wireless device may indicate, to the base station, not activating the antenna panel indicated by the downlink information.

[0273] In an example, the wireless device may determine that the time to transmit/receive the transport block is equal to or less than the antenna panel activation delay. The time to transmit/receive the transport block being equal to or less than the antenna panel activation delay may comprise the time occurs before the activating of the antenna panel is completed. Based on the determining that the time to transmit/receive the transport block is equal to or less than the antenna panel activation delay, the wireless device may ignore the downlink information indicating the antenna panel.

[0274] In an example, the wireless device may transmit an uplink report (e.g., group-based beam reporting, periodic beam reporting, MAC CE, RRC, scheduling request, uplink control information, CSI report, etc.) at time T3 in FIG. 17.

In an example, the wireless device may transmit the uplink report based on the ignoring the downlink information indicating the antenna panel. In an example, the wireless device may transmit, to the base station, the uplink report to indicate the ignoring of the downlink information. In an example, based on the receiving the uplink report, the base station may be aware of the wireless device ignoring the downlink information. In an example, based on the receiving the uplink report, the base station may be aware of the wireless device not activating the antenna panel indicated by the downlink information.

[0275] In an example, the wireless device may transmit an uplink signal/message (e.g., ACK/NACK, RRC reject) based on the ignoring the downlink information. In an example, the wireless device may transmit the uplink signal/message (e.g., ACK/NACK, RRC reject) indicating the ignoring of the downlink information. In an example, the wireless device may transmit the uplink signal/message via an uplink resource indicating the ignoring of the downlink information. In an example, the one or more configuration parameters may indicate the uplink resource. In an example, the one or more configuration parameters may indicate the uplink resource for a scheduling request (SR) transmission. In an example, the wireless device may piggyback the uplink signal/message on a SR to indicate the ignoring of the downlink information. In an example, the SR may be a positive SR (e.g., pending SR). In an example, the SR may be a negative SR (e.g., no pending SR).

[0276] In an example, the wireless device may transmit, to the base station, the uplink signal/message to indicate the ignoring of the downlink information. In an example, based on the receiving the uplink signal/message, the base station may be aware of the wireless device ignoring the downlink information. In an example, based on the receiving the uplink signal/message, the base station may be aware of the wireless device not activating the antenna panel indicated by the downlink information.

[0277] In an example, the wireless device may activate the antenna panel. In an example, the activating the antenna panel may comprise switching/transitioning the antenna panel to an active state from a deactivated state.

[0278] In an example, the wireless device may indicate the activating of the antenna panel, e.g., to the base station. In an example, the wireless device may transmit an uplink report (e.g., group-based beam reporting, periodic beam reporting, MAC CE, RRC, scheduling request, uplink control information, CSI report, etc.) indicating the activating of the antenna panel. In an example, based on the activating of the antenna panel, the wireless device may transmit an uplink report (e.g., group-based beam reporting, periodic beam reporting, MAC CE, RRC, scheduling request, uplink control information, CSI report, etc.) indicating the activating of the antenna panel. The wireless device may transmit the uplink report via an uplink channel (e.g., PUCCH, PUSCH).

[0279] In an example, the base station may not be aware of the activating of the antenna panel, e.g., by the wireless device. In an example, the base station may assume the antenna panel, that is activated by the wireless device, is in a deactivated state. The base station may be aware of the activating of the antenna panel based on receiving the uplink report. The base station may be aware of the antenna panel being in the activated state based on receiving the uplink report.

[0280] In an example, the wireless device may receive a downlink information (e.g., DCI, RRC, MAC CE, PDCCH order, PDCCH, PDSCH). In an example, the wireless device may receive the downlink information in a time between the activating of the antenna panel and transmitting the uplink report indicating the activating of the antenna panel.

[0281] In an example, the wireless device may receive the downlink information via an active antenna panel. In an example, the active antenna panel may be different from the (activated) antenna panel. In an example, the active antenna panel may be same as the (activated) antenna panel. The plurality of antenna panels may comprise the active antenna panel. The active antenna panel may be in an active state.

[0282] In an example, the downlink information may indicate the (activated) antenna panel (e.g., Panel 2 in FIG. 17). In an example, the downlink information may comprise a field (e.g., antenna panel field). The field may indicate the panel index of the antenna panel. A value of the field may be equal to (or the same as or may indicate or mapped to) the panel index of the antenna panel. In an example, the value of the field may be equal to (or indicate) a first panel index of a first antenna panel (e.g., Panel 1 in FIG. 17) of the plurality of antenna panels. Based on the value being equal to (or indicating) the first panel index of the first antenna panel, the downlink information may indicate the first antenna panel. In an example, the value of the field may be equal to (or indicate) a second panel index of a second antenna panel (e.g., Panel 2 in FIG. 17) of the plurality of antenna panels. Based on the value being equal to (or indicating) the second panel index of the second antenna panel, the downlink information may indicate the second antenna panel.

[0283] In an example, the base station may transmit the downlink information indicating the antenna panel to recommend deactivating the antenna panel. In an example, the base station may transmit the downlink information indicating the antenna panel to recommend the wireless device to deactivate the antenna panel. In an example, the base station may transmit the downlink information indicating the antenna panel to trigger deactivating the antenna panel. In an example, the downlink information may indicate deactivating of the antenna panel.

[0284] In an example, the wireless device may determine that the antenna panel (e.g., Panel 2 in FIG. 17) indicated by the downlink information is in the active state.

[0285] In an example, based on the determining that the antenna panel indicated by the downlink information is in the active state, the wireless device may deactivate the antenna panel. The deactivating the antenna panel may comprise transitioning the antenna panel from the active state, e.g., to a deactivated state.

[0286] In an example, the wireless device may not transmit an uplink report indicating the activating of the antenna panel based on the deactivating the antenna panel. In an example, based on the deactivating the antenna panel indicated by the downlink information, the wireless device may transmit the uplink report indicating the deactivating of the antenna panel.

[0287] In an example, based on the deactivating the antenna panel indicated by the downlink information, the wireless device may transmit an uplink signal/message (e.g., ACK/NACK, RRC complete) indicating deactivating of the antenna panel indicated by the downlink information. In an example, the wireless device may transmit the uplink signal/

message via an uplink resource indicating the deactivating of the antenna panel indicated by the downlink information. In an example, the one or more configuration parameters may indicate the uplink resource. In an example, the one or more configuration parameters may indicate the uplink resource for an uplink transmission (e.g., scheduling request (SR) transmission, UCI transmission, ACK/NACK transmission, CSI report transmission, HARQ-ACK transmission). In an example, the wireless device may piggyback the uplink signal/message on an uplink transmission (e.g., SR, CSI report, HARQ-ACK) to indicate activating of the antenna panel indicated by the downlink information. In an example, when the uplink transmission is an SR, the SR may be a positive SR (e.g., pending SR). In an example, the SR may be a negative SR (e.g., no pending SR).

[0288] In an example, the wireless device may ignore the downlink information indicating the antenna panel. In an example, the wireless device may ignore the downlink information indicating the antenna panel based on the activating of the antenna panel. In an example, the ignoring the downlink information may comprise not deactivating the antenna panel indicated by the downlink information. In an example, the ignoring the downlink information may comprise maintaining/keeping the antenna panel indicated by the downlink information in the active state. In an example, the ignoring the downlink information may comprise keep transmitting an uplink signal/channel (e.g., transport block, UCI, PUCCH, SRS, PUSCH, HARQ-ACK, CSI report) via/with the antenna panel indicated by the downlink information. In an example, the ignoring the downlink information may comprise keep receiving a downlink signal/channel (e.g., DCI, PDCCH, PDSCH) via/with the antenna panel indicated by the downlink information. The one or more configuration parameters may indicate the at least one uplink resource (e.g., SRS resource) for the antenna panel. In an example, the ignoring the downlink information may comprise keep receiving a downlink signal/channel (e.g., DCI, PDCCH, PDSCH) via/with the antenna panel indicated by the downlink information.

[0289] In an example, the ignoring the downlink information may comprise not transmitting an acknowledgement (ACK) for a reception of the downlink information. In an example, the ignoring the downlink information may comprise not transmitting a negative acknowledgement (NACK) for a reception of the downlink information. In an example, the ignoring the downlink information may comprise transmitting a negative acknowledgement (NACK) for a reception of the downlink information.

[0290] In an example, based on receiving the uplink signal/channel via the at least one uplink resource, the base station may be aware of the wireless device ignoring the downlink information. In an example, based on receiving the uplink signal/channel via the at least one uplink resource, the base station may be aware of the wireless device not deactivating the antenna panel indicated by the downlink information. In an example, based on transmitting the uplink signal/channel via the at least one uplink resource, the wireless device may indicate, to the base station, the ignoring of the downlink information. In an example, based on transmitting the uplink signal/channel via the at least one uplink resource, the wireless device may indicate, to the base station, not deactivating the antenna panel indicated by the downlink information.

[0291] In an example, the wireless device may transmit an uplink report (e.g., group-based beam reporting, periodic beam reporting, MAC CE, RRC, scheduling request, uplink control information, CSI report, etc.). In an example, the wireless device may transmit the uplink report based on the ignoring the downlink information indicating the antenna panel. In an example, the wireless device may transmit, to the base station, the uplink report to indicate the ignoring of the downlink information. In an example, based on the receiving the uplink report, the base station may be aware of the wireless device ignoring the downlink information. In an example, based on the receiving the uplink report, the base station may be aware of the wireless device not deactivating the antenna panel indicated by the downlink information.

[0292] In an example, the wireless device may transmit an uplink signal/message (e.g., ACK/NACK, RRC reject) based on the ignoring the downlink information. In an example, the wireless device may transmit the uplink signal/message (e.g., ACK/NACK, RRC reject) indicating the ignoring of the downlink information. In an example, the wireless device may transmit the uplink signal/message via an uplink resource indicating the ignoring of the downlink information. In an example, the one or more configuration parameters may indicate the uplink resource. In an example, the one or more configuration parameters may indicate the uplink resource for an uplink transmission (e.g., scheduling request (SR) transmission, UCI transmission, ACK/NACK transmission, CSI report transmission, HARQ-ACK transmission). In an example, the wireless device may piggyback the uplink signal/message on an uplink transmission (e.g., SR, CSI report, HARQ-ACK) to indicate activating of the antenna panel indicated by the downlink information. In an example, when the uplink transmission is an SR, the SR may be a positive SR (e.g., pending SR). In an example, the SR may be a negative SR (e.g., no pending SR).

[0293] In an example, the wireless device may transmit, to the base station, the uplink signal/message to indicate the ignoring of the downlink information. In an example, based on the receiving the uplink signal/message, the base station may be aware of the wireless device ignoring the downlink information. In an example, based on the receiving the uplink signal/message, the base station may be aware of the wireless device not deactivating the antenna panel indicated by the downlink information.

[0294] In an example, the wireless device may determine to deactivate an antenna panel of the plurality of antenna panels (e.g., time T1 in FIG. 18).

[0295] In an example, the wireless device may transmit an uplink report (e.g., group-based beam reporting, periodic beam reporting, MAC CE, RRC, scheduling request, uplink control information, CSI report, etc.) indicating the deactivating of the antenna panel (e.g., time T2 in FIG. 18).

[0296] In an example, based on the determining to deactivate the antenna panel, the wireless device may transmit an uplink report (e.g., group-based beam reporting, periodic beam reporting, MAC CE, RRC, scheduling request, uplink control information, CSI report, etc.) indicating the deactivating of the antenna panel (e.g., time T2 in FIG. 18).

[0297] In an example, the wireless device may not deactivate the antenna panel before transmitting the uplink report (e.g., before time T2 in FIG. 18).

[0298] In an example, the wireless device may deactivate the antenna panel. In an example, the wireless device may

deactivate the antenna panel based on the transmitting the uplink report indicating the deactivating of the antenna panel (e.g., time T2 in FIG. 18).

[0299] In an example, based on the transmitting the uplink report, the wireless device may monitor for an acknowledgement (ACK) of the uplink report. In an example, the base station may transmit the ACK for a reception of the uplink report. In an example, the base station may transmit the ACK for a successful reception of the uplink report. In an example, the wireless device may receive the ACK.

[0300] In an example, the wireless device may not deactivate the antenna panel before receiving the ACK for the uplink report (e.g., before time T3 in FIG. 19).

[0301] In an example, the wireless device may deactivate the antenna panel. In an example, the wireless device may deactivate the antenna panel based on the receiving the ACK for the uplink report indicating the deactivating of the antenna panel (e.g., time T3 in FIG. 19).

[0302] In an example, based on the transmitting the uplink report, the wireless device may start a time window (e.g., 1 msec, 2 msec, 3 msec, 1 slot, 2 slots, 4 slots). In an example, the time window (e.g., Time window in FIG. 20) may be preconfigured. In an example, the time window may be fixed. In an example, the one or more configuration parameters may indicate a value for the time window. In an example, the time window may comprise a time duration. In an example, the time window may comprise a period of time.

[0303] In an example, the wireless device may not deactivate the antenna panel before an expiry of the time window (e.g., before time T3 in FIG. 20).

[0304] In an example, the wireless device may deactivate the antenna panel. In an example, the wireless device may deactivate the antenna panel based on the expiry of the time window (e.g., time T3 in FIG. 20). In an example, the wireless device may deactivate the antenna panel at the end of the time window (e.g., time T3 in FIG. 20).

[0305] In an example, the wireless device may determine to activate an antenna panel of the plurality of antenna panels.

[0306] In an example, the wireless device may transmit an uplink report (e.g., group-based beam reporting, periodic beam reporting, MAC CE, RRC, scheduling request, uplink control information, CSI report, etc.) indicating the activating of the antenna panel.

[0307] In an example, based on the determining to activate the antenna panel, the wireless device may transmit an uplink report (e.g., group-based beam reporting, periodic beam reporting, MAC CE, RRC, scheduling request, uplink control information, CSI report, etc.) indicating the activating of the antenna panel.

[0308] In an example, the wireless device may not activate the antenna panel before transmitting the uplink report.

[0309] In an example, the wireless device may activate the antenna panel. In an example, the wireless device may activate the antenna panel based on the transmitting the uplink report indicating the activating of the antenna panel.

[0310] In an example, based on the transmitting the uplink report indicating the activating of the antenna panel, the wireless device may monitor for an acknowledgement (ACK) of the uplink report. In an example, the base station may transmit the ACK for a reception of the uplink report. In an example, the base station may transmit the ACK for a

successful reception of the uplink report. In an example, the wireless device may receive the ACK.

[0311] In an example, the wireless device may not activate the antenna panel before receiving the ACK for the uplink report.

[0312] In an example, the wireless device may activate the antenna panel. In an example, the wireless device may activate the antenna panel based on the receiving the ACK for the uplink report indicating the activating of the antenna panel.

[0313] In an example, based on the transmitting the uplink report indicating the activating of the antenna panel, the wireless device may start a time window (e.g., 1 msec, 2 msec, 3 msec, 1 slot, 2 slots, 4 slots). In an example, the time window may be preconfigured. In an example, the time window may be fixed. In an example, the one or more configuration parameters may indicate a value for the time window. In an example, the time window may comprise a time duration. In an example, the time window may comprise a period of time.

[0314] In an example, the wireless device may not activate the antenna panel before an expiry of the time window.

[0315] In an example, the wireless device may activate the antenna panel. In an example, the wireless device may activate the antenna panel based on the expiry of the time window. In an example, the wireless device may activate the antenna panel at the end of the time window.

[0316] In an example, the wireless device may transmit an uplink report periodically. The uplink report may comprise a respective state (e.g., active state, deactivated state) of each antenna panel of the plurality of antenna panels (e.g., Report panel status in FIG. 21). In an example, when a first antenna panel is in an active state and a second antenna panel is in a deactivated state, the uplink report may indicate the first antenna panel being in the active state and the second antenna panel being in the deactivated state. When a first antenna panel is in a deactivated state and a second antenna panel is in a deactivated state, the uplink report may indicate the first antenna panel being in the deactivated state and the second antenna panel being in the deactivated state. In an example, the one or more configuration parameters may indicate a time period (e.g., period in FIG. 21) to transmit the uplink report periodically (e.g., time T2, time T4 in FIG. 21). The wireless device may transmit the uplink report based on the time period (e.g., at time T, 2T, 3T, . . . , k*T when the time period is equal to T).

[0317] In an example, the wireless device may transmit the uplink report at a time (e.g., time T2 in FIG. 21). In an example, the wireless device may receive the downlink information within an offset before the time (e.g., between time T1 and time T2 in FIG. 21). In an example, within the offset before the time may comprise a time instance between “the time minus the offset” and the time (e.g., between T2–offset and T2). In an example, the offset may be preconfigured. In an example, the offset may be fixed. In an example, the one or more configuration parameters may indicate the offset. In an example, the offset may be based on (or depend) on UE capability (e.g., PUSCH preparation time, PUCCH preparation time, PDSCH processing time, PDCCH processing time, etc.). In an example, the offset may comprise (or may be based on) an antenna panel activation/deactivation delay. In an example, the offset may be based on a subcarrier spacing of an active BWP (e.g., an active downlink BWP and/or an active uplink BWP). The wireless

device may receive the downlink information via the active BWP. The wireless device may transmit the uplink report via the active BWP. In an example, the offset may be based a time slot (e.g., determine based on a HARQ-ACK for a PDSCH carrying the downlink control information).

[0318] In an example, a PDSCH may carry the downlink information (e.g., activation command, MAC CE, RRC). In an example, the wireless device may transmit an HARQ-ACK for the PDSCH in a slot n . In an example, based on the transmitting the HARQ-ACK for the PDSCH in the slot n , the wireless device may activate (or deactivate) the antenna panel at a time slot based on the slot n and a slot offset (e.g., the time slot may be equal to the slot $n+3N_{slot}^{subframe, \mu}+1$). The activating (or deactivating) the antenna panel may comprise starting the activating (or deactivating) of the antenna panel. The activating (or deactivating) the antenna panel may comprise completing the activating (or deactivating) of the antenna panel. In an example, based on the transmitting the HARQ-ACK for the PDSCH in the slot n , the wireless device may start transmitting via the antenna panel at a time slot based on the slot n and a slot offset (e.g., the time slot may be equal to the slot $n+3N_{slot}^{subframe, \mu}+1$).

[0319] In an example, the offset may be based the time slot.

[0320] In an example, the downlink information may indicate an antenna panel (e.g., Panel 2 in FIG. 21) of the plurality of antenna panels. In an example, the antenna panel may be in a deactivated state. In an example, the antenna panel may be in the deactivated state when the wireless device receives the downlink information.

[0321] In an example, the wireless device may activate the antenna panel based on receiving the downlink information.

[0322] In an example, based on the receiving the downlink information within the offset before the time, the wireless device may not indicate the activating of the antenna panel in the uplink report (e.g., time T2 in FIG. 21). The not indicating activating of the antenna panel in the uplink report may comprise that the uplink report indicates the antenna panel being in the deactivated state (e.g., Panel 2 is deactivated).

[0323] In an example, the wireless device may transmit the uplink report at a time (e.g., time T4 in FIG. 21). In an example, the wireless device may receive the downlink information before an offset of the time (e.g., between time T2 and T3 in FIG. 21). In an example, before the offset of the time may comprise a time instance before the time minus the offset (e.g., before T4—offset in FIG. 21).

[0324] In an example, the downlink information may indicate an antenna panel (e.g., Panel 2 in FIG. 21) of the plurality of antenna panels. In an example, the antenna panel may be in a deactivated state. In an example, the antenna panel may be in the deactivated state when the wireless device receives the downlink information.

[0325] In an example, the wireless device may activate the antenna panel based on receiving the downlink information.

[0326] In an example, based on the receiving the downlink information before the offset of the time, the wireless device may indicate the activating of the antenna panel in the uplink report (e.g., time T4 in FIG. 21). The indicating activating of the antenna panel in the uplink report may comprise that the uplink report indicates the antenna panel being in the activated state (e.g., Panel 2 is active).

[0327] In an example, the downlink information may indicate an antenna panel (e.g., Panel 2 in FIG. 21) of the

plurality of antenna panels. In an example, the antenna panel may be in an active state. In an example, the antenna panel may be in the active state when the wireless device receives the downlink information.

[0328] In an example, the wireless device may deactivate the antenna panel based on receiving the downlink information.

[0329] In an example, based on the receiving the downlink information within the offset before the time, the wireless device may not indicate the deactivating of the antenna panel in the uplink report (e.g., time T2 in FIG. 21). The not indicating deactivating of the antenna panel in the uplink report may comprise that the uplink report indicates the antenna panel being in the active state (e.g., Panel 2 is active).

[0330] In an example, the wireless device may transmit the uplink report at a time (e.g., time T4 in FIG. 21). In an example, the wireless device may receive the downlink information before an offset of the time (e.g., between time T2 and T3 in FIG. 21). In an example, before the offset of the time may comprise a time instance before the time minus the offset (e.g., before T4—offset in FIG. 21).

[0331] In an example, the downlink information may indicate an antenna panel (e.g., Panel 2 in FIG. 21) of the plurality of antenna panels. In an example, the antenna panel may be in an active state. In an example, the antenna panel may be in the active state when the wireless device receives the downlink information.

[0332] In an example, the wireless device may deactivate the antenna panel based on receiving the downlink information.

[0333] In an example, based on the receiving the downlink information before the offset of the time, the wireless device may indicate the deactivating of the antenna panel in the uplink report (e.g., time T4 in FIG. 21). The indicating deactivating of the antenna panel in the uplink report may comprise that the uplink report indicates the antenna panel being in a deactivated state (e.g., Panel 2 is deactivated).

[0334] In an example, an antenna panel (e.g., Panel 2 in FIG. 21) of the plurality of antenna panels may be in a deactivated state. The wireless device may activate the antenna panel. In an example, the wireless device may activate the antenna panel autonomously (e.g., without an indication from the base station). In an example, the activating the antenna panel may comprise starting activating of the antenna panel. In an example, the activating the antenna panel may comprise completing activating of the antenna panel (e.g., comprising the antenna panel activation/deactivation delay).

[0335] In an example, the wireless device may transmit the uplink report at a time (e.g., time T2 in FIG. 21). In an example, the wireless device may activate the antenna panel within an offset before the time (e.g., between time T1 and time T2 in FIG. 21).

[0336] In an example, based on the activating the antenna panel within the offset before the time, the wireless device may not indicate the activating of the antenna panel in the uplink report (e.g., time T2 in FIG. 21). The not indicating activating of the antenna panel in the uplink report may comprise that the uplink report indicates the antenna panel being in the deactivated state (e.g., Panel 2 is deactivated).

[0337] In an example, the wireless device may transmit the uplink report at a time (e.g., time T4 in FIG. 21). In an example, the wireless device may activate the antenna panel

before an offset of the time (e.g., between time T2 and T3 in FIG. 21). In an example, before the offset of the time may comprise a time instance before the time minus the offset (e.g., before T4—offset in FIG. 21).

[0338] In an example, based on the activating the antenna panel before the offset of the time, the wireless device may indicate the activating of the antenna panel in the uplink report (e.g., time T4 in FIG. 21). The indicating activating of the antenna panel in the uplink report may comprise that the uplink report indicates the antenna panel being in the activated state (e.g., Panel 2 is active).

[0339] In an example, an antenna panel (e.g., Panel 2 in FIG. 21) of the plurality of antenna panels may be in an active state. The wireless device may deactivate the antenna panel. In an example, the wireless device may deactivate the antenna panel autonomously (e.g., without an indication from the base station). In an example, the deactivating the antenna panel may comprise starting deactivating of the antenna panel. In an example, the deactivating the antenna panel may comprise completing deactivating of the antenna panel (e.g., comprising the antenna panel activation/deactivation delay).

[0340] In an example, the wireless device may transmit the uplink report at a time (e.g., time T2 in FIG. 21). In an example, the wireless device may deactivate the antenna panel within an offset before the time (e.g., between time T1 and time T2 in FIG. 21).

[0341] In an example, based on the deactivating the antenna panel within the offset before the time, the wireless device may not indicate the deactivating of the antenna panel in the uplink report (e.g., time T2 in FIG. 21). The not indicating deactivating of the antenna panel in the uplink report may comprise that the uplink report indicates the antenna panel being in the active state (e.g., Panel 2 is active).

[0342] In an example, the wireless device may transmit the uplink report at a time (e.g., time T4 in FIG. 21). In an example, the wireless device may deactivate the antenna panel before an offset of the time (e.g., between time T2 and T3 in FIG. 21). In an example, before the offset of the time may comprise a time instance before the time minus the offset (e.g., before T4—offset in FIG. 21).

[0343] In an example, based on the deactivating the antenna panel before the offset of the time, the wireless device may indicate the deactivating of the antenna panel in the uplink report (e.g., time T4 in FIG. 21). The indicating deactivating of the antenna panel in the uplink report may comprise that the uplink report indicates the antenna panel being in a deactivated state (e.g., Panel 2 is deactivated).

[0344] FIG. 23 illustrates an example of a reference signal determination as per an aspect of an embodiment of the present disclosure. FIG. 24-26 illustrates example flow diagrams of a reference signal determination disclosed in FIG. 23.

[0345] In an example, a wireless device may receive one or more messages (e.g., at time T0 in FIG. 23). In an example, the wireless device may receive the one or more messages from a base station. The one or more messages may comprise one or more configuration parameters (e.g., Configuration parameters in FIG. 23). The one or more configuration parameters may comprise/indicate a plurality of SRS resource sets (e.g., SRS resource sets in FIG. 23, e.g., provided by a higher layer parameter SRS-ResourceSet). The plurality of SRS resource sets may comprise a first SRS

resource set (e.g., SRS resource set 1 in FIG. 23) and a second SRS resource set (e.g., SRS resource set 2 in FIG. 23).

[0346] In an example, the one or more configuration parameters may comprise a higher layer parameter txConfig. The higher layer parameter txConfig may be set to “codebook”. The higher layer parameter txConfig may indicate “codebook”.

[0347] In an example, the one or more configuration parameters may comprise a higher layer parameter txConfig. The higher layer parameter txConfig may be set to “non-codebook”. The higher layer parameter txConfig may indicate “non-codebook”.

[0348] In an example, the plurality of SRS resource sets may be (configured) for a physical uplink shared channel (PUSCH) transmission via/of a cell. In an example, the cell may be a primary cell (PCell). In an example, the cell may be a secondary cell (SCell). In an example, the cell may be a secondary cell configured with PUCCH (e.g., PUCCH SCell). In an example, the cell may be a licensed cell. In an example, the cell may be an unlicensed cell.

[0349] In an example, the one or more configuration parameters may indicate SRS resource set indices (e.g., provided by a higher layer parameter SRS-ResourceSetId) for the plurality of SRS resource sets. In an example, each SRS resource set of the plurality of SRS resource sets may be identified by (or may comprise) a respective SRS resource set index of the SRS resource set indices. In an example, a first SRS resource set (e.g., SRS resource set 1 in FIG. 23) of the plurality of SRS resource sets may be identified by a first SRS resource set index of the SRS resource set indices. In an example, a second SRS resource set (e.g., SRS resource set 2 in FIG. 23) of the plurality of SRS resource sets may be identified by a second SRS resource set index of the SRS resource set indices. In an example, the first SRS resource set index and the second SRS resource set index may be different.

[0350] In an example, the wireless device may activate a downlink BWP of one or more downlink BWPs of the cell. In an example, the wireless device may activate an uplink BWP of one or more uplink BWPs of the cell.

[0351] In an example, at time T1 in FIG. 23, the wireless device may receive a medium access control control element (MAC CE) activating/selecting an SRS resource set (e.g., SRS resource set 1 or SRS resource set 2 in FIG. 23) of the plurality of SRS resource sets. In an example, the MAC CE may have a field indicating the SRS resource set. In an example, a value of the field may be equal to (or be mapped to or may indicate) an SRS resource set index of the SRS resource set. The SRS resource set indices may comprise the SRS resource set index. In an example, the MAC CE may have a second field indicating activation of the SRS resource set. In an example, when a value of the second field is set to a first number (e.g., one), the wireless device may activate the SRS resource set indicated by the field. In an example, when a value of the second field is set to a second number (e.g., zero), the wireless device may deactivate the SRS resource set indicated by the field.

[0352] In an example, the one or more configuration parameters may comprise a higher layer parameter usage (e.g., usage) for the SRS resource set. The higher layer parameter usage for the SRS resource set may be set to “codebook”. The higher layer parameter usage for the SRS resource set may indicate “codebook”.

[0353] In an example, the one or more configuration parameters may comprise a higher layer parameter usage (e.g., usage) for the SRS resource set. The higher layer parameter usage for the SRS resource set may be set to “noncodebook”. The higher layer parameter usage for the SRS resource set may indicate “noncodebook”.

[0354] In an example, the wireless device may receive a downlink control information (DCI). The DCI may schedule a transmission of a TB (e.g., PUSCH). In an example, the DCI may be DCI format 0_0. In an example, the DCI may be DCI format 0_1. In an example, the DCI may schedule the transmission of the TB on an (active) uplink BWP of an uplink carrier (e.g., NUL, SUL) of the cell.

[0355] In an example, the wireless device may receive the DCI scheduling the transmission of the TB after receiving (or activating) the MAC CE activating/selecting the SRS resource set (e.g., after T1 in FIG. 23 or at time T2 in FIG. 23). In an example, based on the receiving the DCI scheduling the transmission of the TB after receiving (or activating) the MAC CE, the wireless device may determine a spatial transmission filter for the TB based on the SRS resource set activated/selected by the MAC CE.

[0356] In an example, the DCI may schedule the transmission of the TB in a slot. The wireless device may transmit the TB in the slot. In an example, the wireless device may determine that the slot occurs after a second slot that the MAC CE activating/selecting the SRS resource set is received (or activated). In an example, the wireless device may determine that the slot is after than a second slot that the MAC CE activating/selecting the SRS resource set is received (or activated). In an example, the wireless device may transmit the TB after receiving (or activating) the MAC CE activating/selecting the SRS resource set. In an example, based on the transmitting the TB after receiving (or activating) the MAC CE, the wireless device may determine a spatial domain transmission filter for the TB based on the SRS resource set activated/selected by the MAC CE.

[0357] In an example, a wireless device may receive, e.g., from a base station, a MAC CE. In an example, a PDSCH may carry/comprise the MAC CE. The wireless device may transmit an HARQ-ACK (e.g., ACK, NACK) for the PDSCH in a first time slot. Based on the transmitting the HARQ-ACK, the wireless device may apply the MAC CE in a second time (or starting from a second time). In an example, the second time may be equal to the first sub time slot plus an offset (e.g., $3N_{slot}^{subframe} + 1$). In an example, the offset may be based on a subcarrier spacing (or numerology, e.g., 15 kHz, 30 kHz, etc.). In an example, the offset may be fixed (e.g., 3 msec, 5 msec, 2 slots, 3 slots, etc.). In an example, the wireless device may activate the MAC CE in the second time. The activating the MAC CE in the second time may comprise applying the MAC CE in the second time (or starting from the second time). The activating the MAC CE in the second time may comprise applying the MAC CE starting from the second time. In an example, if the MAC CE is SP SRS Activation/Deactivation MAC CE for an SRS resource set, the activating the MAC CE in the second time may comprise applying one or more assumptions/actions for an SRS transmission of the SRS resource set in the second time. In an example, applying a MAC CE may comprise performing actions indicated by the MAC CE. In an example, when the MAC CE indicates a deactivation of a cell, applying the MAC CE may comprise deactivating the cell. In an example, when the MAC CE

indicates a change of a current spatial transmission/receiving filter (or a beam) to a next spatial transmission/receiving filter (or a beam), applying the MAC CE may comprise changing the current spatial transmission/receiving filter (or the beam) to the next spatial transmission/receiving filter (or the beam).

[0358] In an example, the SRS resource set activated/selected by the MAC CE may comprise one or more SRS resources (e.g., provided by a higher layer parameter `srs-ResourceIdList`, provided by a higher layer parameter `SRS-Resource`). In an example, the one or more configuration parameters may indicate the one or more SRS resources for the SRS resource set. In an example, in FIG. 23, when the SRS resource set activated/selected by the MAC CE is SRS resource set 1, the one or more SRS resources may comprise SRS resource 1 and SRS resource 2. In an example, in FIG. 23, when the SRS resource set activated/selected by the MAC CE is SRS resource set 2, the one or more SRS resources may comprise SRS resource 3 and SRS resource 4.

[0359] In an example, the one or more configuration parameters may indicate/comprise SRS resource indices (e.g., provided by a higher layer parameter `SRS-ResourceId`) for the one or more SRS resources in the SRS resource set. In an example, each SRS resource of the one or more SRS resources may be identified by (or may comprise) a respective SRS resource index of the SRS resource indices. In an example, a first SRS resource (e.g., SRS resource 1, SRS resource 3 in FIG. 23) of the one or more SRS resources may be identified by a first SRS resource index of the SRS resource indices. In an example, a second SRS resource (e.g., SRS resource 2, SRS resource 4 in FIG. 23) of the one or more SRS resources may be identified by a second SRS resource index of the SRS resource indices. In an example, the first SRS resource index and the second SRS resource index may be different. In an example, the first SRS resource index and the second SRS resource index may be the same.

[0360] In an example, the DCI scheduling the TB may comprise an SRI field (e.g., SRI in FIG. 23). The SRI field in the DCI may indicate (or be mapped to) an SRS resource (e.g., SRS resource 1 in FIG. 23) among the one or more SRS resources of the SRS resource set activated/selected by the MAC CE. A value of the SRI field in the DCI may indicate (or be mapped to) the SRS resource among the one or more SRS resources of the SRS resource set. In an example, a value of the SRI field may indicate (or be mapped to) an SRS resource index of the SRS resource. The SRS resource indices may comprise the SRS resource index.

[0361] In an example, the one or more configuration parameters may comprise a higher layer parameter usage (e.g., usage) for the SRS resource. The higher layer parameter usage for the SRS resource may be set to “codebook”. The higher layer parameter usage for the SRS resource may indicate “codebook”.

[0362] In an example, the one or more configuration parameters may comprise a higher layer parameter usage (e.g., usage) for the SRS resource. The higher layer parameter usage for the SRS resource may be set to “noncodebook”. The higher layer parameter usage for the SRS resource may indicate “noncodebook”.

[0363] In an example, the SRS resource may indicate a reference signal (e.g., provided by a higher layer parameter `SRS-SpatialRelationInfo`, provided by a higher layer parameter `SpatialRelationInfo`). In an example, the one or more

configuration parameters may indicate, for the SRS resource, a spatial relation info indicating the reference signal. The spatial relation info may provide/indicate a spatial setting for an uplink transmission (e.g., PUCCH, UCI, SRS, PUSCH, TB) based on the SRS resource. The spatial relation info may indicate/comprise an index of the reference signal (e.g., ssb-Index, csi-RS-Index, srs). The one or more configuration parameters may indicate the index for the reference signal. The reference signal may be for (e.g., to determine) a spatial domain transmission filter. The wireless device may use the reference signal to determine the spatial domain transmission filter. The wireless device may use the reference signal to determine the spatial domain transmission filter for the transmission of the TB.

[0364] In an example, the reference signal may be a downlink reference signal. The downlink reference signal may comprise a SS/PBCH block. The downlink reference signal may comprise a CSI-RS (e.g., periodic CSI-RS, semi-persistent CSI-RS, aperiodic CSI-RS). The downlink reference signal may comprise a DM-RS (e.g., for PUCCH, PUSCH, etc.). In an example, the wireless device may use a spatial domain receiving filter to receive the downlink reference signal. In an example, based on the reference signal (e.g., indicated by the spatial relation info) being the downlink reference signal, the wireless device may transmit the TB with a spatial domain transmission filter that is the same as the spatial domain receiving filter. In an example, based on the reference signal (e.g., indicated by the spatial relation info) being the downlink reference signal, the wireless device may transmit the TB with the spatial domain receiving filter. In an example, based on the reference signal being the downlink reference signal, the wireless device may transmit the TB with a spatial domain transmission filter that is based on the spatial domain receiving filter.

[0365] In an example, the reference signal may be an uplink reference signal (e.g., periodic SRS, semi-persistent SRS, aperiodic SRS, DM-RS). In an example, the wireless device may use a spatial domain transmission filter to transmit the uplink reference signal. In an example based on the reference signal (e.g., indicated by the spatial relation info) being the uplink reference signal, the wireless device may transmit the TB with a spatial domain transmission filter that is the same as the spatial domain transmission filter used to transmit the uplink reference signal. In an example based on the reference signal being the uplink reference signal, the wireless device may transmit the TB with a spatial domain transmission filter that is based on the spatial domain transmission filter used to transmit the uplink reference signal.

[0366] In an example, the determining the spatial domain transmission filter for the TB based on the SRS resource set activated/selected by the MAC CE may comprise determining the spatial domain transmission filter for the TB based on the reference signal indicated by the SRS resource of the SRS resource set activated/selected by the MAC CE. The DCI scheduling the TB may indicate the SRS resource among the one or more SRS resources of the SRS resource set.

[0367] In an example, based on the determining the spatial domain transmission filter for the TB, the wireless device may transmit the TB based on/with the spatial domain transmission filter.

[0368] In an example, the wireless device may receive the DCI scheduling the transmission of the TB before receiving

the MAC CE activating/selecting the SRS resource set (e.g., between T0 and T1 in FIG. 23 or before T1 in FIG. 23). In an example, the wireless device may receive the DCI scheduling the transmission of the TB before activating the MAC CE. In an example, the wireless device may determine that the receiving the DCI scheduling the transmission of the TB occurs before receiving (or activating) the MAC CE activating/selecting the SRS resource set. Based on the determining, the wireless device may select/determine an SRS resource set, among the plurality of SRS resource sets, to determine a spatial domain transmission filter for the TB (e.g., FIG. 24).

[0369] In an example, the DCI may schedule the transmission of the TB in a slot. The wireless device may transmit the TB in the slot. In an example, the wireless device may determine that the slot occurs before a second slot that the MAC CE activating/selecting the SRS resource set is received (or activated). In an example, the wireless device may determine that the slot is earlier than a second slot that the MAC CE activating/selecting the SRS resource set is received (or activated). In an example, the wireless device may transmit the TB before receiving (or activating) the MAC CE activating the SRS resource set (e.g., between T0 and T1 in FIG. 23 or before T1 in FIG. 23). Based on the transmitting the TB before receiving (or activating) the MAC CE activating/selecting the SRS resource set, the wireless device may select/determine an SRS resource set, among the plurality of SRS resource sets, to determine a spatial domain transmission filter for the TB. In an example, the DCI may schedule the transmission of the TB in the slot that is earlier than (or before) receiving (or activating) the MAC CE activating/selecting the SRS resource set. Based on the determining, the wireless device may select/determine an SRS resource set, among the plurality of SRS resource sets, to determine a spatial domain transmission filter for the TB (e.g., FIG. 24).

[0370] In an example, the wireless device may transmit a TB. In an example, the wireless device may transmit the TB (e.g., PUSCH) based on (or for) a configured uplink grant (e.g., configured grant Type 1, configured grant Type 2). The wireless device may transmit the TB, for the configured uplink grant, in a slot. In an example, the wireless device may determine that the slot occurs before a second slot that the MAC CE activating/selecting the SRS resource set is received (or activated). In an example, the wireless device may determine that the slot is earlier than a second slot that the MAC CE activating/selecting the SRS resource set is received (or activated). In an example, the wireless device may transmit the TB before receiving (or activating) the MAC CE activating/selecting the SRS resource set (e.g., between T0 and T1 in FIG. 23 or before T1 in FIG. 23). Based on the transmitting the TB before receiving (or activating) the MAC CE activating/selecting the SRS resource set, the wireless device may select/determine an SRS resource set, among the plurality of SRS resource sets, to determine a spatial domain transmission filter for the TB. In an example, the slot for the transmission of the TB for the configured uplink grant is earlier than (or before) receiving (or activating) the MAC CE activating/selecting the SRS resource set. Based on the determining, the wireless device may select/determine an SRS resource set, among the plurality of SRS resource sets, to determine a spatial domain transmission filter for the TB (e.g., FIG. 24).

[0371] In an example, the one or more configuration parameters may comprise a higher layer parameter usage (e.g., usage) for the selected/determined SRS resource set. The higher layer parameter usage for the SRS resource set may be set to “codebook”. The higher layer parameter usage for the SRS resource set may indicate “codebook”.

[0372] In an example, the one or more configuration parameters may comprise a higher layer parameter usage (e.g., usage) for the selected/determined SRS resource set. The higher layer parameter usage for the SRS resource set may be set to “noncodebook”. The higher layer parameter usage for the SRS resource set may indicate “noncodebook”.

[0373] In an example, the selected/determined SRS resource set may comprise one or more SRS resources (e.g., provided by a higher layer parameter srs-ResourceIdList, provided by a higher layer parameter SRS-Resource). In an example, the one or more configuration parameters may indicate the one or more SRS resources for the selected/determined SRS resource set. In an example, in FIG. 23, when the selected/determined SRS resource set is SRS resource set 1, the one or more SRS resources may comprise SRS resource 1 and SRS resource 2. In an example, in FIG. 23, when the selected/determined SRS resource set is SRS resource set 2, the one or more SRS resources may comprise SRS resource 3 and SRS resource 4.

[0374] In an example, the DCI scheduling the TB may comprise an SRI field. The SRI field in the DCI may indicate (or be mapped to) an SRS resource among the one or more SRS resources of the selected/determined SRS resource set. A value of the SRI field in the DCI may indicate (or be mapped to) the SRS resource among the one or more SRS resources of the selected/determined SRS resource set. In an example, a value of the SRI field may indicate (or be mapped to) an SRS resource index of SRS resource.

[0375] In an example, the one or more configuration parameters may comprise a higher layer parameter usage (e.g., usage) for the SRS resource. The higher layer parameter usage for the SRS resource may be set to “codebook”. The higher layer parameter usage for the SRS resource may indicate “codebook”.

[0376] In an example, the one or more configuration parameters may comprise a higher layer parameter usage (e.g., usage) for the SRS resource. The higher layer parameter usage for the SRS resource may be set to “noncodebook”. The higher layer parameter usage for the SRS resource may indicate “noncodebook”.

[0377] In an example, the SRS resource among the one or more SRS resources of the selected/determined SRS resource set may indicate a reference signal (e.g., provided by a higher layer parameter SRS-SpatialRelationInfo, provided by a higher layer parameter SpatialRelationInfo). In an example, the one or more configuration parameters may indicate, for the SRS resource, a spatial relation info indicating the reference signal. The spatial relation info may provide/indicate a spatial setting for an uplink transmission (e.g., PUCCH, UCI, SRS, PUSCH, TB) based on the SRS resource. The spatial relation info may indicate/comprise an index of the reference signal (e.g., ssb-Index, csi-RS-Index, srs). The one or more configuration parameters may indicate the index for the reference signal. The reference signal may be for (e.g., to determine) a spatial domain transmission filter. The wireless device may use the reference signal to determine the spatial domain transmission filter. The wire-

less device may use the reference signal to determine the spatial domain transmission filter for the transmission of the TB.

[0378] In an example, the determining the spatial domain transmission filter for the TB based on the selected/determined SRS resource set may comprise determining the spatial domain transmission filter for the TB based on the reference signal indicated by the SRS resource of the selected/determined SRS resource set. In an example, the DCI scheduling the TB may indicate the SRS resource among the one or more SRS resources of the SRS resource set.

[0379] In an example, based on the determining the spatial domain transmission filter for the TB, the wireless device may transmit the TB based on/with the spatial domain transmission filter.

[0380] In an example, the selecting/determining the SRS resource set among the plurality of SRS resource sets may be based on the SRS resource set indices (e.g., provided by a higher layer parameter SRS-ResourceSetId) for the plurality of SRS resource sets. In an example, the wireless device may determine/select the SRS resource set with a lowest (or highest) SRS resource set index among the SRS resource set indices of the plurality of SRS resource sets. In an example, the plurality of SRS resource sets may comprise a first SRS resource set identified by a first SRS resource set index and a second SRS resource set identified by a second SRS resource set index. In an example, the determining/selecting the SRS resource set among the first SRS resource set and the second SRS resource set may be based on the first SRS resource set index and the second SRS resource set index. In an example, the wireless device may determine/select the SRS resource set with a lowest (or highest) SRS resource set index among the first SRS resource set index and the second SRS resource set index.

[0381] In an example, the first SRS resource set index may be lower than the second SRS resource set index. In an example, based on the first SRS resource set index being lower than the second SRS resource set index, the wireless device may select the first SRS resource set as the (selected/determined) SRS resource set. In an example, based on the first SRS resource set index being lower than the second SRS resource set index, the wireless device may select the second SRS resource set as the (selected/determined) SRS resource set.

[0382] In an example, the first SRS resource set index may be higher than the second SRS resource set index. In an example, based on the first SRS resource set index being higher than the second SRS resource set index, the wireless device may select the first SRS resource set as the (selected/determined) SRS resource set. In an example, based on the first SRS resource set index being higher than the second SRS resource set index, the wireless device may select the second SRS resource set as the (selected/determined) SRS resource set.

[0383] In an example, the selecting/determining the SRS resource set among the plurality of SRS resource sets may be based on the SRS resource set indices (e.g., provided by a higher layer parameter SRS-ResourceSetId) for the plurality of SRS resource sets. In an example, the wireless device may determine/select the SRS resource set with an SRS resource set index, among the SRS resource set indices, that is equal to a value (e.g., zero). In an example, the wireless device may determine/select the SRS resource set

with an SRS resource set index, among the SRS resource set indices of the plurality of SRS resource sets, that is equal to the value. In an example, the value may be zero. In an example, the value may be preconfigured. In an example, the value may be fixed. In an example, the value may be configured by the base station. In an example, the one or more configuration parameters may indicate the value.

[0384] In an example, the first SRS resource set index may be equal to the value (e.g., zero). In an example, the second SRS resource set index may be different from the value. In an example, based on the first SRS resource set index being equal to the value, the wireless device may select the first SRS resource set as the (selected/determined) SRS resource set.

[0385] In an example, the second SRS resource set index may be equal to the value (e.g., zero). In an example, the first SRS resource set index may be different from the value. In an example, based on the second SRS resource set index being equal to the value, the wireless device may select the second SRS resource set as the (selected/determined) SRS resource set.

[0386] In an example, the wireless device may receive the DCI scheduling the transmission of the TB before receiving the MAC CE activating/selecting the SRS resource set (e.g., between T0 and T1 in FIG. 23 or before T1 in FIG. 23). In an example, the wireless device may receive the DCI scheduling the transmission of the TB before activating the MAC CE. In an example, the wireless device may determine that the receiving the DCI scheduling the transmission of the TB occurs before receiving (or activating) the MAC CE activating/selecting the SRS resource set. Based on the determining, the wireless device may determine/select a reference signal to determine a spatial domain transmission filter for the TB (e.g., FIG. 25). In an example, the wireless device may ignore an SRI field in the DCI based on the determining.

[0387] In an example, the DCI may schedule the transmission of the TB in a slot. The wireless device may transmit the TB in the slot. In an example, the wireless device may determine that the slot occurs before a second slot that the MAC CE activating/selecting the SRS resource set is received (or activated). Based on the determining, the wireless device may determine/select a reference signal to determine a spatial domain transmission filter for the TB (e.g., FIG. 25). In an example, the wireless device may ignore an SRI field in the DCI based on the determining.

[0388] In an example, the wireless device may transmit a TB. In an example, the wireless device may transmit the TB (e.g., PUSCH) based on (or for) a configured uplink grant (e.g., configured grant Type 1, configured grant Type 2). The wireless device may transmit the TB, for the configured uplink grant, in a slot. In an example, the wireless device may determine that the slot occurs before a second slot that the MAC CE activating/selecting the SRS resource set is received (or activated). Based on the determining, the wireless device may determine/select a reference signal to determine a spatial domain transmission filter for the TB (e.g., FIG. 25).

[0389] In an example, based on the determining the spatial domain transmission filter for the TB, the wireless device may transmit the TB based on/with the spatial domain transmission filter. In an example, based on the determining the spatial domain transmission filter for the TB based on (or

using) the reference signal, the wireless device may transmit the TB based on/with the spatial domain transmission filter.

[0390] In an example, the determining/selecting the reference signal may comprise that the wireless device determines/selects a reference signal used/identified in/for a random-access procedure (e.g., initial access procedure, handover, reconfiguration with synch, beam failure recovery procedure). The random-access procedure may be for the cell. The reference signal may be an SS/PBCH block. The reference signal may be a CSI-RS.

[0391] In an example, the determining/selecting the reference signal may comprise that the wireless device determines/selects a reference signal (e.g., SS/PBCH block, CSI-RS) that is used to obtain Master Information Block (MIB). In an example, the wireless device may use the reference signal to obtain MIB. In an example, the wireless device may obtain the MIB for the cell.

[0392] In an example, the determining/selecting the reference signal may comprise that the wireless device determines/selects a reference signal (e.g., SS/PBCH block, CSI-RS) that is used/identified in a recent (or most recent or latest) random-access procedure. The recent random-access procedure may be (initiated) for the cell. The wireless device may use/identify the reference signal in/during the recent (or most recent or latest) random-access procedure. In an example, the latest/recent random-access procedure may not be initiated based on receiving a PDCCH order. The latest/recent random-access procedure may not be initiated based on receiving a PDCCH order triggering a non-contention based random-access procedure. In an example, the latest/recent random-access procedure may be initiated based on receiving a PDCCH order. The latest/recent random-access procedure may be initiated based on receiving a PDCCH order triggering a non-contention based random-access procedure.

[0393] In an example, the determining/selecting the reference signal may comprise that the wireless device determines/selects a reference signal indicated by the one or more configuration parameters. In an example, the one or more configuration parameters may indicate the reference signal (e.g., default downlink path loss reference RS, cell-defining SSB) for the second cell.

[0394] In an example, the one or more configuration parameters may indicate one or more uplink resources (e.g., PUCCH resources). The one or more uplink resources may be on/for the cell. In an example, the one or more configuration parameters may indicate the one or more uplink resources on/for an uplink BWP of the cell. In an example, the one or more uplink resources may comprise one or more physical uplink control channel (PUCCH) resources.

[0395] In an example, the one or more uplink resources may comprise a plurality of uplink resources.

[0396] In an example, the one or more configuration parameters may indicate uplink resource indices (e.g., provided by a higher layer parameter `pucch-ResourceId`) for the one or more uplink resources. In an example, each uplink resource of the one or more uplink resources may be identified by a respective uplink resource index of the uplink resource indices. In an example, a first uplink resource of the one or more uplink resources may be identified by a first uplink resource index of the uplink resource indices. In an example, a second uplink resource of the one or more uplink resources may be identified by a second uplink resource index of the uplink resource indices.

[0397] In an example, the wireless device may receive the DCI scheduling the transmission of the TB before receiving the MAC CE activating/selecting the SRS resource set (e.g., between T0 and T1 in FIG. 23 or before T1 in FIG. 23). In an example, the wireless device may receive the DCI scheduling the transmission of the TB before activating the MAC CE. In an example, the wireless device may determine that the receiving the DCI scheduling the transmission of the TB occurs before receiving (or activating) the MAC CE activating/selecting the SRS resource set. Based on the determining, the wireless device may determine/select an uplink resource, among the one or more uplink resources, to determine a spatial domain transmission filter for the TB (e.g., FIG. 26). In an example, the wireless device may ignore an SRI field in the DCI based on the determining.

[0398] In an example, the DCI may schedule the transmission of the TB in a slot. The wireless device may transmit the TB in the slot. In an example, the wireless device may determine that the slot occurs before a second slot that the MAC CE activating/selecting the SRS resource set is received (or activated). In an example, the wireless device may determine that the slot is earlier than a second slot that the MAC CE activating/selecting the SRS resource set is received (or activated). In an example, the wireless device may transmit the TB before receiving (or activating) the MAC CE activating/selecting the SRS resource set (e.g., between T0 and T1 in FIG. 23 or before T1 in FIG. 23). Based on the transmitting the TB before receiving (or activating) the MAC CE activating/selecting the SRS resource set, the wireless device may determine/select an uplink resource, among the one or more uplink resources, to determine a spatial domain transmission filter for the TB. In an example, the DCI may schedule the transmission of the TB in the slot that is earlier than (or before) receiving (or activating) the MAC CE activating/selecting the SRS resource set. Based on the determining, the wireless device may determine/select an uplink resource, among the one or more uplink resources, to determine a spatial domain transmission filter for the TB (e.g., FIG. 26). In an example, the wireless device may ignore an SRI field in the DCI based on the determining.

[0399] In an example, the wireless device may transmit a TB. In an example, the wireless device may transmit the TB (e.g., PUSCH) based on (or for) a configured uplink grant (e.g., configured grant Type 1, configured grant Type 2). The wireless device may transmit the TB, for the configured uplink grant, in a slot. In an example, the wireless device may determine that the slot occurs before a second slot that the MAC CE activating/selecting the SRS resource set is received (or activated). Based on the determining, the wireless device may determine/select an uplink resource, among the one or more uplink resources, to determine a spatial domain transmission filter for the TB (e.g., FIG. 26).

[0400] In an example, the wireless device may transmit an uplink information/signaling (e.g., UCI, HARQ-ACK, SR, CSI, SRS) via the (determined/selected) uplink resource. In an example, the one or more configuration parameters may indicate, for the (determined/selected) uplink resource, a spatial relation info (e.g., PUCCH-SpatialRelationInfo) indicating a reference signal. In an example, the wireless device may receive a second MAC CE (e.g., PUCCH spatial relation activation/deactivation MAC CE) activating/indicating a reference signal for a spatial relation info of the uplink resource. The spatial relation info of the uplink

resource may comprise/indicate the reference signal. In an example, the wireless device may transmit, via the uplink resource, the uplink information/signaling with a spatial domain transmission filter determined based on the reference signal. The wireless device may use the reference signal to determine the spatial domain transmission filter. The wireless device may use the reference signal to determine the spatial domain transmission filter for transmitting the uplink information/signaling via the uplink resource.

[0401] In an example, the determining the spatial domain transmission filter for the TB based on the selected/determined uplink resource may comprise determining the spatial domain transmission filter for the TB based on the reference signal indicated by the (determined/selected) uplink resource. In an example, the determining the spatial domain transmission filter for the TB based on the selected/determined uplink resource may comprise determining the spatial domain transmission filter for the TB based on the reference signal indicated by the spatial relation info of the (determined/selected) uplink resource.

[0402] In an example, based on the determining the spatial domain transmission filter for the TB, the wireless device may transmit the TB based on/with the spatial domain transmission filter.

[0403] In an example, the selecting/determining the uplink resource among the one or more uplink resources may be based on the uplink resource indices of the one or more uplink resources. In an example, the wireless device may determine/select the uplink resource with a lowest (or highest) uplink resource index among the uplink resource indices of the one or more uplink resources. In an example, the one or more uplink resources may comprise a first uplink resource identified by a first uplink resource index of the one or more uplink resources and a second uplink resource identified by a second uplink resource index of the one or more uplink resources. In an example, the determining/selecting the uplink resource among the first uplink resource and the second uplink resource may be based on the first uplink resource index and the second uplink resource index. In an example, the wireless device may determine/select the uplink resource with a lowest (or highest) uplink resource index among the first uplink resource index and the second uplink resource index.

[0404] In an example, the first uplink resource index may be lower than the second uplink resource index. In an example, based on the first uplink resource index being lower than the second uplink resource index, the wireless device may select the first uplink resource as the (selected/determined) uplink resource. In an example, based on the first uplink resource index being lower than the second uplink resource index, the wireless device may select the second uplink resource as the (selected/determined) uplink resource.

[0405] In an example, the first uplink resource index may be higher than the second uplink resource index. In an example, based on the first uplink resource index being higher than the second uplink resource index, the wireless device may select the first uplink resource as the (selected/determined) uplink resource. In an example, based on the first uplink resource index being higher than the second uplink resource index, the wireless device may select the second uplink resource as the (selected/determined) uplink resource.

[0406] In an example, the selecting/determining the uplink resource among the one or more uplink resources may be based on the uplink resource indices of the one or more uplink resources. In an example, the wireless device may determine/select the uplink resource with an uplink resource index, among the uplink resource indices, that is equal to a value (e.g., zero). In an example, the wireless device may determine/select the uplink resource with an uplink resource index, among the uplink resource indices of the one or more uplink resources, that is equal to the value. In an example, the value may be zero. In an example, the value may be preconfigured. In an example, the value may be fixed. In an example, the value may be configured by the base station. In an example, the one or more configuration parameters may indicate the value.

[0407] In an example, the first uplink resource index may be equal to the value (e.g., zero). In an example, the second uplink resource index may be different from the value. In an example, based on the first uplink resource index being equal to the value, the wireless device may select the first uplink resource as the (selected/determined) uplink resource.

[0408] In an example, the second uplink resource index may be equal to the value (e.g., zero). In an example, the first uplink resource index may be different from the value. In an example, based on the second uplink resource index being equal to the value, the wireless device may select the second uplink resource as the (selected/determined) uplink resource.

[0409] In an example, the one or more configuration parameters may indicate one or more path loss reference RS sets (e.g., provided by a higher layer parameter PUSCH-PathlossReferenceRS). The one or more path loss reference RS sets may be on/for the cell. The one or more path loss reference RS sets may be on/for an uplink BWP of the cell.

[0410] In an example, the one or more configuration parameters may indicate path loss reference RS indices (e.g., provided by a higher layer parameter PUSCH-PathlossReferenceRS-Id) for the one or more path loss reference RS sets. In an example, each path loss reference RS set of the one or more path loss reference RS sets may be identified by a respective path loss reference RS index of the path loss reference RS indices.

[0411] In an example, a first path loss reference RS set of the one or more path loss reference RS sets may be identified by a first path loss reference RS index of the path loss reference RS indices. In an example, a second path loss reference RS set of the one or more path loss reference RS sets may be identified by a second path loss reference RS index of the path loss reference RS indices.

[0412] In an example, the one or more path loss reference RS sets may comprise a plurality of path loss reference RS sets.

[0413] In an example, the wireless device may receive the DCI scheduling the transmission of the TB before receiving the MAC CE activating/selecting the SRS resource set (e.g., between T0 and T1 in FIG. 23 or before T1 in FIG. 23). In an example, the wireless device may receive the DCI scheduling the transmission of the TB before activating the MAC CE. In an example, the wireless device may determine that the receiving the DCI scheduling the transmission of the TB occurs before receiving (or activating) the MAC CE activating/selecting the SRS resource set. Based on the determining, the wireless device may determine/select a

path loss reference RS set, among the one or more path loss reference RS sets, to determine a spatial domain transmission filter for the TB. In an example, the wireless device may ignore an SRI field in the DCI based on the determining.

[0414] In an example, the DCI may schedule the transmission of the TB in a slot. The wireless device may transmit the TB in the slot. In an example, the wireless device may determine that the slot occurs before a second slot that the MAC CE activating/selecting the SRS resource set is received (or activated). In an example, the wireless device may determine that the slot is earlier than a second slot that the MAC CE activating/selecting the SRS resource set is received (or activated). In an example, the wireless device may transmit the TB before receiving (or activating) the MAC CE activating/selecting the SRS resource set (e.g., between T0 and T1 in FIG. 23 or before T1 in FIG. 23). Based on the transmitting the TB before receiving (or activating) the MAC CE activating/selecting the SRS resource set, the wireless device may determine/select a path loss reference RS set, among the one or more path loss reference RS sets, to determine a spatial domain transmission filter for the TB. In an example, the DCI may schedule the transmission of the TB in the slot that is earlier than (or before) receiving (or activating) the MAC CE activating/selecting the SRS resource set. Based on the determining, the wireless device may determine/select a path loss reference RS set, among the one or more path loss reference RS sets, to determine a spatial domain transmission filter for the TB. In an example, the wireless device may ignore an SRI field in the DCI based on the determining.

[0415] In an example, the wireless device may transmit a TB. In an example, the wireless device may transmit the TB (e.g., PUSCH) based on (or for) a configured uplink grant (e.g., configured grant Type 1, configured grant Type 2). The wireless device may transmit the TB, for the configured uplink grant, in a slot. In an example, the wireless device may determine that the slot occurs before a second slot that the MAC CE activating/selecting the SRS resource set is received (or activated). Based on the determining, the wireless device may determine/select a path loss reference RS set, among the one or more path loss reference RS sets, to determine a spatial domain transmission filter for the TB.

[0416] In an example, the determined/selected path loss reference RS set may indicate/comprise a reference signal (or an index of the reference signal). In an example, the one or more configuration parameters may indicate the reference signal for the determined/selected path loss reference RS set.

[0417] In an example, the determining the spatial domain transmission filter for the TB based on the selected/determined path loss reference RS set may comprise determining the spatial domain transmission filter for the TB based on the reference signal indicated by path loss reference RS set.

[0418] In an example, based on the determining the spatial domain transmission filter for the TB, the wireless device may transmit the TB based on/with the spatial domain transmission filter.

[0419] In an example, the selecting/determining the path loss reference RS set among the one or more path loss reference RS sets may be based on the path loss reference RS indices of the one or more path loss reference RS sets. In an example, the wireless device may determine/select the path loss reference RS set with a lowest (or highest) path loss reference RS index among the path loss reference RS indices of the one or more path loss reference RS sets. In an

example, the one or more path loss reference RS sets may comprise a first path loss reference RS set identified by a first path loss reference RS index of the path loss reference RS indices and a second path loss reference RS set identified by a second path loss reference RS index of the path loss reference RS indices. In an example, the determining/selecting the path loss reference RS set among the first path loss reference RS set and the second path loss reference RS set may be based on the first path loss reference RS index and the second path loss reference RS index. In an example, the wireless device may determine/select the path loss reference RS set with a lowest (or highest) path loss reference RS index among the first path loss reference RS index and the second path loss reference RS index.

[0420] In an example, the first path loss reference RS index may be lower than the second path loss reference RS index. In an example, based on the first path loss reference RS index being lower than the second path loss reference RS index, the wireless device may select the first path loss reference RS set as the (selected/determined) path loss reference RS set. In an example, based on the first path loss reference RS index being lower than the second path loss reference RS index, the wireless device may select the second path loss reference RS set as the (selected/determined) path loss reference RS set.

[0421] In an example, the first path loss reference RS index may be higher than the second path loss reference RS index. In an example, based on the first path loss reference RS index being higher than the second path loss reference RS index, the wireless device may select the first path loss reference RS set as the (selected/determined) path loss reference RS set. In an example, based on the first path loss reference RS index being higher than the second path loss reference RS index, the wireless device may select the second path loss reference RS set as the (selected/determined) path loss reference RS set.

[0422] In an example, the selecting/determining the path loss reference RS set among the one or more path loss reference RS sets may be based on the path loss reference RS indices of the one or more path loss reference RS sets. In an example, the wireless device may determine/select the path loss reference RS set with a path loss reference RS index, among the path loss reference RS indices, that is equal to a value (e.g., zero). In an example, the wireless device may determine/select the path loss reference RS set with a path loss reference RS index, among the path loss reference RS indices of the one or more path loss reference RS sets, that is equal to the value. In an example, the value may be zero. In an example, the value may be preconfigured. In an example, the value may be fixed. In an example, the value may be configured by the base station. In an example, the one or more configuration parameters may indicate the value.

[0423] In an example, the first path loss reference RS index may be equal to the value (e.g., zero). In an example, the second path loss reference RS index may be different from the value. In an example, based on the first path loss reference RS index being equal to the value, the wireless device may select the first path loss reference RS set as the (selected/determined) path loss reference RS set.

[0424] In an example, the second path loss reference RS index may be equal to the value (e.g., zero). In an example, the first path loss reference RS index may be different from the value. In an example, based on the second path loss

reference RS index being equal to the value, the wireless device may select the second path loss reference RS set as the (selected/determined) path loss reference RS set.

[0425] In an example, determining a spatial domain transmission filter for a TB may comprise determining a precoder (e.g., PUSCH transmission precoder) for a transmission of the TB.

[0426] FIG. 27 illustrates an example of a reference signal determination as per an aspect of an embodiment of the present disclosure.

[0427] In an example, a wireless device may receive one or more messages (e.g., at time T₀ in FIG. 27). In an example, the wireless device may receive the one or more messages from a base station. The one or more messages may comprise one or more configuration parameters (e.g., Configuration parameters in FIG. 27). The one or more configuration parameters may indicate an SRS resource set (e.g., SRS resource set in FIG. 27, e.g., provided by a higher layer parameter SRS-ResourceSet). The SRS resource set may comprise a plurality of SRS resources (e.g., SRS resource 1, SRS resource 2, SRS resource 3, SRS resource 4 in FIG. 27).

[0428] In an example, the one or more configuration parameters may comprise a higher layer parameter txConfig. The higher layer parameter txConfig may be set to “codebook”. The higher layer parameter txConfig may indicate “codebook”.

[0429] In an example, the one or more configuration parameters may comprise a higher layer parameter txConfig. The higher layer parameter txConfig may be set to “non-codebook”. The higher layer parameter txConfig may indicate “non-codebook”.

[0430] In an example, the one or more configuration parameters may comprise a higher layer parameter usage (e.g., usage) for the SRS resource set. The higher layer parameter usage for the SRS resource set may be set to “codebook”. The higher layer parameter usage for the SRS resource set may indicate “codebook”.

[0431] In an example, the one or more configuration parameters may comprise a higher layer parameter usage (e.g., usage) for the SRS resource set. The higher layer parameter usage for the SRS resource set may be set to “noncodebook”. The higher layer parameter usage for the SRS resource set may indicate “noncodebook”.

[0432] In an example, the plurality of SRS resources may be (configured) for a physical uplink shared channel (PUSCH) transmission via/of a cell.

[0433] In an example, the one or more configuration parameters may indicate SRS resource indices (e.g., provided by a higher layer parameter SRS-ResourceId) for the plurality of SRS resources. In an example, each SRS resource of the plurality of SRS resources may be identified by (or may comprise) a respective SRS resource index of the SRS resource indices. In an example, a first SRS resource (e.g., SRS resource 1 in FIG. 27) of the plurality of SRS resources may be identified by a first SRS resource index of the SRS resource indices. In an example, a second SRS resource (e.g., SRS resource 2 in FIG. 27) of the plurality of SRS resources may be identified by a second SRS resource index of the SRS resource indices. In an example, the first SRS resource index and the second SRS resource index may be different.

[0434] In an example, at time T₁ in FIG. 27, the wireless device may receive a medium access control control element

(MAC CE) activating/selecting at least one SRS resource (e.g., SRS resource 1 and SRS resource set 3 in FIG. 27) of the plurality of SRS resources. In an example, the MAC CE may have a field indicating the at least one SRS resource. In an example, a value of the field may be equal to (or be mapped to or may indicate) at least one SRS resource index of the at least one SRS resource. The SRS resource indices may comprise the at least one SRS resource index. In an example, the MAC CE may have a second field indicating activation of the at least one SRS resource. In an example, when a value of the second field is set to a first number (e.g., one), the wireless device may activate the at least one SRS resource indicated by the field. In an example, when a value of the second field is set to a second number (e.g., zero), the wireless device may deactivate the at least one SRS resource indicated by the field.

[0435] In an example, the wireless device may receive a downlink control information (DCI). The DCI may schedule a transmission of a TB (e.g., PUSCH). In an example, the DCI may be DCI format 0_0. In an example, the DCI may be DCI format 0_1. In an example, the DCI may schedule the transmission of the TB on an (active) uplink BWP of an uplink carrier (e.g., NUL, SUL) of the cell.

[0436] In an example, the wireless device may receive the DCI scheduling the transmission of the TB after receiving (or activating) the MAC CE activating/selecting the at least one SRS resource (e.g., after T1 in FIG. 27 or at time T2 in FIG. 27). In an example, based on the receiving the DCI scheduling the transmission of the TB after receiving (or activating) the MAC CE, the wireless device may determine a spatial transmission filter for the TB based on the at least one SRS resource activated/selected by the MAC CE.

[0437] In an example, the DCI may schedule the transmission of the TB in a slot. The wireless device may transmit the TB in the slot. In an example, the wireless device may determine that the slot occurs after a second slot that the MAC CE activating/selecting the at least one SRS resource is received (or activated). In an example, the wireless device may determine that the slot is after than a second slot that the MAC CE activating/selecting the at least one SRS resource is received (or activated). In an example, the wireless device may transmit the TB after receiving (or activating) the MAC CE activating/selecting the at least one SRS resource. In an example, based on the transmitting the TB after receiving (or activating) the MAC CE, the wireless device may determine a spatial domain transmission filter for the TB based on the at least one SRS resource activated/selected by the MAC CE.

[0438] In an example, the DCI scheduling the TB may comprise an SRI field (e.g., SRI in FIG. 27). The SRI field in the DCI may indicate (or be mapped to) an SRS resource (e.g., SRS resource 1 in FIG. 27) among the at least one SRS resource activated/selected by the MAC CE. A value of the SRI field in the DCI may indicate (or be mapped to) the SRS resource among the at least one SRS resource. In an example, a value of the SRI field may indicate (or be mapped to) an SRS resource index of the SRS resource. The SRS resource indices may comprise the SRS resource index. The at least one SRS resource index may comprise the SRS resource index.

[0439] In an example, the one or more configuration parameters may comprise a higher layer parameter usage (e.g., usage) for the SRS resource. The higher layer param-

eter usage for the SRS resource may be set to “codebook”. The higher layer parameter usage for the SRS resource may indicate “codebook”.

[0440] In an example, the one or more configuration parameters may comprise a higher layer parameter usage (e.g., usage) for the SRS resource. The higher layer parameter usage for the SRS resource may be set to “noncodebook”. The higher layer parameter usage for the SRS resource may indicate “noncodebook”.

[0441] In an example, the SRS resource may indicate a reference signal (e.g., provided by a higher layer parameter SRS-SpatialRelationInfo, provided by a higher layer parameter SpatialRelationInfo). In an example, the one or more configuration parameters may indicate, for the SRS resource, a spatial relation info indicating the reference signal. In an example, the wireless device may receive a second MAC CE, for the SRS resource, indicating a spatial relation info indicating the reference signal. The spatial relation info may provide/indicate a spatial setting for an uplink transmission (e.g., PUCCH, UCI, SRS, PUSCH, TB) based on the SRS resource. The spatial relation info may indicate/comprise an index of the reference signal (e.g., ssb-Index, csi-RS-Index, srs). The one or more configuration parameters may indicate the index for the reference signal. The reference signal may be for (e.g., to determine) a spatial domain transmission filter. The wireless device may use the reference signal to determine the spatial domain transmission filter. The wireless device may use the reference signal to determine the spatial domain transmission filter for the transmission of the TB.

[0442] In an example, the determining the spatial domain transmission filter for the TB based on the at least one SRS resource activated/selected by the MAC CE may comprise determining the spatial domain transmission filter for the TB based on the reference signal indicated by the SRS resource of the at least one SRS resource activated/selected by the MAC CE. The DCI scheduling the TB may indicate the SRS resource among the at least one SRS resource.

[0443] In an example, based on the determining the spatial domain transmission filter for the TB, the wireless device may transmit the TB based on/with the spatial domain transmission filter.

[0444] In an example, the wireless device may receive the DCI scheduling the transmission of the TB before receiving the MAC CE activating/selecting the at least one SRS resource (e.g., between T0 and T1 in FIG. 27 or before T1 in FIG. 27). In an example, the wireless device may receive the DCI scheduling the transmission of the TB before activating the MAC CE. In an example, the wireless device may determine that the receiving the DCI scheduling the transmission of the TB occurs before receiving (or activating) the MAC CE activating/selecting the at least one SRS resource. In an example, based on the determining that the receiving the DCI occurs before receiving (or activating) the MAC CE, the wireless device may select/determine an SRS resource, among the plurality of SRS resources, to determine a spatial domain transmission filter for the TB. In an example, based on the determining that the receiving the DCI occurs before receiving (or activating) the MAC CE, the wireless device may determine/select a reference signal to determine a spatial domain transmission filter for the TB. In an example, based on the determining that the receiving the DCI occurs before receiving (or activating) the MAC CE, the wireless device may determine/select an uplink

resource, among the one or more uplink resources, to determine a spatial domain transmission filter for the TB. In an example, based on the determining that the receiving the DCI occurs before receiving (or activating) the MAC CE, the wireless device may determine/select a path loss reference RS set, among the one or more path loss reference RS sets, to determine a spatial domain transmission filter for the TB. In an example, the wireless device may ignore an SRI field in the DCI based on the determining.

[0445] In an example, the DCI may schedule the transmission of the TB in a slot. The wireless device may transmit the TB in the slot. In an example, the wireless device may determine that the slot occurs before a second slot that the MAC CE activating/selecting the at least one SRS resource is received (or activated). In an example, the wireless device may determine that the slot is earlier than a second slot that the MAC CE activating/selecting the at least one SRS resource is received (or activated). In an example, the wireless device may transmit the TB before receiving (or activating) the MAC CE activating/selecting the at least one SRS resource (e.g., between T0 and T1 in FIG. 27 or before T1 in FIG. 27). Based on the transmitting the TB before receiving (or activating) the MAC CE activating/selecting the at least one SRS resource, the wireless device may select/determine an SRS resource, among the plurality of SRS resources, to determine a spatial domain transmission filter for the TB. In an example, the DCI may schedule the transmission of the TB in the slot that is earlier than (or before) receiving (or activating) the MAC CE activating/selecting the at least one SRS resource. In an example, based on the determining that the slot occurs before the second slot, the wireless device may select/determine an SRS resource, among the plurality of SRS resources, to determine a spatial domain transmission filter for the TB. In an example, based on the determining that the slot occurs before the second slot, the wireless device may determine/select a reference signal to determine a spatial domain transmission filter for the TB. In an example, based on the determining that the slot occurs before the second slot, the wireless device may determine/select an uplink resource, among the one or more uplink resources, to determine a spatial domain transmission filter for the TB. In an example, based on the determining that the slot occurs before the second slot, the wireless device may determine/select a path loss reference RS set, among the one or more path loss reference RS sets, to determine a spatial domain transmission filter for the TB. In an example, the wireless device may ignore an SRI field in the DCI based on the determining.

[0446] In an example, the wireless device may transmit a TB. In an example, the wireless device may transmit the TB (e.g., PUSCH) based on (or for) a configured uplink grant (e.g., configured grant Type 1, configured grant Type 2). The wireless device may transmit the TB, for the configured uplink grant, in a slot. In an example, the wireless device may determine that the slot occurs before a second slot that the MAC CE activating/selecting the at least one SRS resource is received (or activated). In an example, the wireless device may determine that the slot is earlier than a second slot that the MAC CE activating/selecting the at least one SRS resource is received (or activated). In an example, the wireless device may transmit the TB before receiving (or activating) the MAC CE activating/selecting the at least one SRS resource (e.g., between T0 and T1 in FIG. 27 or before T1 in FIG. 27). Based on the transmitting the TB before

receiving (or activating) the MAC CE activating/selecting the at least one SRS resource, the wireless device may select/determine an SRS resource, among the plurality of SRS resources, to determine a spatial domain transmission filter for the TB. In an example, the slot for the transmission of the TB for the configured uplink grant is earlier than (or before) receiving (or activating) the MAC CE activating/selecting the at least one SRS resource. In an example, based on the determining that the slot occurs before the second slot, the wireless device may select/determine an SRS resource, among the plurality of SRS resources, to determine a spatial domain transmission filter for the TB. In an example, based on the determining that the slot occurs before the second slot, the wireless device may determine/select a reference signal to determine a spatial domain transmission filter for the TB. In an example, based on the determining that the slot occurs before the second slot, the wireless device may determine/select an uplink resource, among the one or more uplink resources, to determine a spatial domain transmission filter for the TB. In an example, based on the determining that the slot occurs before the second slot, the wireless device may determine/select a path loss reference RS set, among the one or more path loss reference RS sets, to determine a spatial domain transmission filter for the TB. In an example, the wireless device may ignore an SRI field in the DCI based on the determining.

[0447] In an example, the one or more configuration parameters may comprise a higher layer parameter usage (e.g., usage) for the (selected/determined) SRS resource. The higher layer parameter usage for the SRS resource may be set to “codebook”. The higher layer parameter usage for the SRS resource may indicate “codebook”.

[0448] In an example, the one or more configuration parameters may comprise a higher layer parameter usage (e.g., usage) for the (selected/determined) SRS resource. The higher layer parameter usage for the SRS resource may be set to “noncodebook”. The higher layer parameter usage for the SRS resource may indicate “noncodebook”.

[0449] In an example, the (selected/determined) SRS resource may indicate a reference signal (e.g., provided by a higher layer parameter SRS-SpatialRelationInfo, provided by a higher layer parameter SpatialRelationInfo). In an example, the one or more configuration parameters may indicate, for the SRS resource, a spatial relation info indicating the reference signal. The spatial relation info may provide/indicate a spatial setting for an uplink transmission (e.g., PUCCH, UCI, SRS, PUSCH, TB) based on the SRS resource. The spatial relation info may indicate/comprise an index of the reference signal (e.g., ssb-Index, csi-RS-Index, srs). The one or more configuration parameters may indicate the index for the reference signal. The reference signal may be for (e.g., to determine) a spatial domain transmission filter. The wireless device may use the reference signal to determine the spatial domain transmission filter. The wireless device may use the reference signal to determine the spatial domain transmission filter for the transmission of the TB.

[0450] In an example, the determining the spatial domain transmission filter for the TB based on the selected/determined SRS resource may comprise determining the spatial domain transmission filter for the TB based on the reference signal indicated by the selected/determined SRS resource.

[0451] In an example, based on the determining the spatial domain transmission filter for the TB, the wireless device may transmit the TB based on/with the spatial domain transmission filter.

[0452] In an example, the selecting/determining the SRS resource among the plurality of SRS resources may be based on the SRS resource indices for the plurality of SRS resources. In an example, the wireless device may determine/select the SRS resource set with a lowest (or highest) SRS resource index among the SRS resource indices of the plurality of SRS resources.

[0453] In an example, the wireless device may determine/select the SRS resource with an SRS resource index, among the SRS resource indices, that is equal to a value (e.g., zero). In an example, the wireless device may determine/select the SRS resource with an SRS resource index, among the SRS resource indices of the plurality of SRS resources, that is equal to the value. In an example, the value may be zero. In an example, the value may be preconfigured. In an example, the value may be fixed. In an example, the value may be configured by the base station. In an example, the one or more configuration parameters may indicate the value.

[0454] Examples of several of the various embodiments of the present disclosure are described herein with reference to the drawings. According to various embodiments, a device such as, for example, a wireless device, off-network wireless device, a base station, and/or the like, may comprise one or more processors and memory. The memory may store instructions that, when executed by the one or more processors, cause the device to perform a series of actions. Embodiments of example actions are illustrated in the accompanying figures and specification. Features from various embodiments may be combined to create yet further embodiments.

[0455] FIG. 28 is a flow diagram as per an aspect of an example embodiment of the present disclosure. At 2810, a wireless device may determine to deactivate an antenna panel of a plurality of antenna panels at the wireless device. At 2820, the wireless device may transmit an uplink signal indicating the determination to deactivate the antenna panel. At 2830, the wireless device may start a time window based on transmitting the uplink signal. At 2840, the wireless device may determine an expiry of the time window. At 2850, the wireless device may deactivate the antenna panel based on the expiry of the time window.

[0456] According to an example embodiment, a wireless device may determine to deactivate an antenna panel of a plurality of antenna panels at the wireless device. The wireless device may transmit an uplink signal indicating the determination to deactivate the antenna panel. The wireless device may start a time window based on transmitting the uplink signal. The wireless device may determine an expiry of the time window. The wireless device may deactivate the antenna panel based on the expiry of the time window.

[0457] According to an example embodiment, the time window may be a time duration or a period of time. According to an example embodiment, the time window may be preconfigured or fixed.

[0458] According to an example embodiment, the transmitting the uplink signal may be for a periodic beam reporting.

[0459] According to an example embodiment, the deactivating may comprise not transmitting, via the antenna panel,

an uplink signal. According to an example embodiment, the deactivating may comprise not receiving, via the antenna panel, a downlink signal.

[0460] According to an example embodiment, the wireless device may receive one or more messages comprising one or more configuration parameters. According to an example embodiment, the one or more configuration parameters may indicate a value for the time window.

[0461] According to an example embodiment, the wireless device may determine to activate a second antenna panel of the plurality of antennas panels. According to an example embodiment, the wireless device may transmit a second uplink signal indicating the determination to activate the second antenna panel. According to an example embodiment, the wireless device may start a second time window based on transmitting the second uplink signal. According to an example embodiment, the wireless device may activate the second antenna panel based on an expiry of the second time window.

[0462] According to an example embodiment, the second time window may be a time duration or a period of time. According to an example embodiment, the one or more configuration parameters may indicate a value for the second time window. According to an example embodiment, the second time window may be preconfigured or fixed.

[0463] According to an example embodiment, a wireless device may receive one or more message comprising one or more configuration parameters for a periodic beam reporting. According to an example embodiment, the wireless device may determine to deactivate an antenna panel of a plurality of antenna panels at the wireless device. According to an example embodiment, the wireless device may transmit, for the periodic beam reporting, an uplink signal indicating the determination to deactivate the antenna panel. According to an example embodiment, the wireless device may receive an acknowledgement indicating a reception of the uplink signal. According to an example embodiment, the wireless device may deactivate the antenna panel based on the receiving the acknowledgement.

[0464] According to an example embodiment, a wireless device may determine to deactivate an antenna panel of a plurality of antenna panels at the wireless device. According to an example embodiment, the wireless device may transmit an uplink signal indicating the determination to deactivate the antenna panel. According to an example embodiment, the wireless device may receive an acknowledgement for the uplink signal. According to an example embodiment, the wireless device may deactivate the antenna panel based on the receiving the acknowledgement.

[0465] According to an example embodiment, the uplink signal may be a channel state information report. According to an example embodiment, the uplink signal may be a scheduling request. According to an example embodiment, the uplink signal may be a beam report. According to an example embodiment, the uplink signal may be an uplink control information. According to an example embodiment, the uplink signal may be a medium access control control element (MAC CE).

[0466] According to an example embodiment, the transmitting of the uplink signal may be via a physical uplink shared channel. According to an example embodiment, the transmitting the uplink signal may be via a physical uplink control channel.

[0467] According to an example embodiment, the wireless device may determine to activate a second antenna panel of the plurality of antenna panels. According to an example embodiment, the wireless device may transmit a second uplink signal indicating the determination to activate the second antenna panel. According to an example embodiment, the wireless device may receive a second acknowledgement for the second uplink signal. According to an example embodiment, the wireless device may activate the second antenna panel based on the receiving the second acknowledgement.

[0468] According to an example embodiment, the deactivating may comprise not transmitting, via the antenna panel, an uplink channel. According to an example embodiment, the uplink channel may be a physical uplink shared channel. According to an example embodiment, the uplink channel may be a physical uplink control channel. According to an example embodiment, the uplink channel may be a physical random-access channel. According to an example embodiment, the uplink channel may be a sounding reference signal.

[0469] According to an example embodiment, the deactivating may comprise not receiving or monitoring, via the antenna panel, a downlink channel. According to an example embodiment, the downlink channel may be a physical downlink shared channel. According to an example embodiment, the downlink channel may be a physical downlink control channel. According to an example embodiment, the downlink channel may be a downlink control information.

[0470] According to an example embodiment, the activating may comprise transmitting, via the second antenna panel, an uplink channel. According to an example embodiment, the uplink channel may be a physical uplink shared channel. According to an example embodiment, the uplink channel may be a physical uplink control channel. According to an example embodiment, the uplink channel may be a physical random-access channel. According to an example embodiment, the uplink channel may be a sounding reference signal.

[0471] According to an example embodiment, the activating may comprise receiving or monitoring, via the second antenna panel, a downlink channel. According to an example embodiment, the downlink channel may be a physical downlink shared channel. According to an example embodiment, the downlink channel may be a physical downlink control channel. According to an example embodiment, the downlink channel may be a downlink control information.

[0472] According to an example embodiment, a wireless device may deactivate an antenna panel of a plurality of antenna panels at the wireless device. According to an example embodiment, the wireless device may receive, before transmitting an uplink signal indicating the deactivation of the antenna panel, a downlink information scheduling a transport block via the antenna panel. According to an example embodiment, the wireless device may ignore the downlink information by not transmitting or receiving the transport block. According to an example embodiment, the wireless device may transmit the uplink signal.

[0473] According to an example embodiment, the ignoring may be based on the receiving the downlink information before transmitting the uplink signal.

[0474] According to an example embodiment, the downlink information may indicate a slot offset for transmission of the transport block. According to an example embodi-

ment, the ignoring may be based on the slot offset being smaller than an antenna panel activation delay of the antenna panel.

[0475] According to an example embodiment, the wireless device may receive one or more messages comprising one or more configuration parameters. According to an example embodiment, the one or more configuration parameters may indicate antenna panel indexes for the plurality of antenna panels. According to an example embodiment, each antenna panel of the plurality of antenna panels may be indicated by a respective antenna panel index of the antenna panel indexes. According to an example embodiment, the antenna panel may be indicated by an antenna panel index of the antenna panel indexes. According to an example embodiment, the downlink information may be a downlink control information. According to an example embodiment, the downlink information may be a MAC CE. According to an example embodiment, the downlink information may be a radio resource control (RRC). According to an example embodiment, the downlink information may be a physical downlink shared channel. According to an example embodiment, the downlink information may comprise a field indicating the antenna panel index of the antenna panel.

[0476] According to an example embodiment, the receiving of the downlink information may be in between the deactivating the antenna panel and the transmitting the uplink signal. According to an example embodiment, the receiving of the downlink information may be via a second antenna panel, of the plurality of antenna panels, that is different from the antenna panel. According to an example embodiment, the ignoring of the downlink information may comprise maintaining/keeping the antenna panel in a deactivated state. According to an example embodiment, the ignoring of the downlink information may comprise not activating the antenna panel.

[0477] According to an example embodiment, a wireless device may deactivate an antenna panel of a plurality of antenna panels at the wireless device. According to an example embodiment, the wireless device may receive a downlink information. According to an example embodiment, the downlink information may schedule a transport block via the antenna panel. According to an example embodiment, the downlink information may indicate a slot offset for transmission of the transport block. According to an example embodiment, the wireless device may activate, during an antenna panel activation delay, the antenna panel based on the slot offset being equal to or larger than the antenna panel activation delay. According to an example embodiment, the wireless device may transmit the transport block via the antenna panel. According to an example embodiment, the wireless device may receive the transport block via the antenna panel. According to an example embodiment, the wireless device may not transmit an uplink signal indicating the deactivation of the antenna panel. According to an example embodiment, the not transmitting the uplink signal may be based on the activating the antenna panel.

[0478] According to an example embodiment, the wireless device may receive a second downlink information. According to an example embodiment, the second downlink information may schedule a second transport block via the antenna panel. According to an example embodiment, the antenna panel may be in a deactivated state. According to an example embodiment, the second downlink information

may indicate a second slot offset for transmission of the second transport block. According to an example embodiment, the wireless device may maintain/keep the antenna panel in the deactivated state based on the second slot offset being smaller than the antenna panel activation delay. According to an example embodiment, the wireless device may not transmit the second transport block. According to an example embodiment, the wireless device may not receive the second transport block.

[0479] According to an example embodiment, the wireless device may ignore the second downlink information. According to an example embodiment, the not transmitting or receiving the second transport block may be based on the ignoring the second downlink information. According to an example embodiment, the wireless device may transmit an uplink signal indicating the deactivation of the antenna panel.

[0480] According to an example embodiment, a wireless device may deactivate an antenna panel of a plurality of antenna panels at the wireless device. According to an example embodiment, the wireless device may receive, within an offset prior to transmitting an uplink signal indicating the deactivation of the antenna panel, a downlink information indicating an activation of the antenna panel. According to an example embodiment, the wireless device may activate the antenna panel based on the receiving the downlink information indicating the activation of the antenna panel. According to an example embodiment, the wireless device may transmit the uplink signal indicating the deactivation of the antenna panel based on the receiving the downlink information within the offset.

[0481] According to an example embodiment, the wireless device may deactivate a second antenna panel of the plurality of antenna panels. According to an example embodiment, the wireless device may receive, before the offset, a second downlink information indicating an activation of the second antenna panel. According to an example embodiment, the wireless device may activate the second antenna panel based on the receiving the second downlink information indicating the activation of the second antenna panel. According to an example embodiment, the wireless device may transmit the uplink signal indicating the activation of the second antenna panel based on the receiving the second downlink information before the offset.

[0482] According to an example embodiment, the wireless device may activate a third antenna panel of the plurality of antenna panels. According to an example embodiment, the wireless device may receive, within the offset, a third downlink information indicating a deactivation of the third antenna panel. According to an example embodiment, the wireless device may deactivate the third antenna panel based on the receiving the third downlink information indicating the deactivation of the third antenna panel. According to an example embodiment, the wireless device may transmit the uplink signal indicating the activation of the third antenna panel based on the receiving the third downlink information within the offset.

[0483] According to an example embodiment, the wireless device may activate a fourth antenna panel of the plurality of antenna panels. According to an example embodiment, the wireless device may receive, before the offset, a fourth downlink information indicating a deactivation of the fourth antenna panel. According to an example embodiment, the wireless device may deactivate the fourth antenna panel

based on the receiving the fourth downlink information indicating the deactivation of the fourth antenna panel. According to an example embodiment, the wireless device may transmit the uplink signal indicating the deactivation of the fourth antenna panel based on the receiving the fourth downlink information before the offset.

[0484] According to an example embodiment, the offset may be based on a capability of the wireless device. According to an example embodiment, the offset may be based on an antenna panel activation delay. According to an example embodiment, the offset may be based on a subcarrier spacing of an active bandwidth part (BWP). According to an example embodiment, the active BWP may be an active uplink BWP. According to an example embodiment, the active BWP may be an active downlink BWP.

[0485] According to an example embodiment, the wireless device may receive one or more messages comprising one or more configuration parameters. According to an example embodiment, the one or more configuration parameters may indicate the offset.

[0486] According to an example embodiment, the wireless device may deactivate, before the offset, an eight-antenna panel of the plurality of antenna panels. According to an example embodiment, the wireless device may transmit the uplink signal indicating the deactivation of the eight-antenna panel based on the deactivating the eight-antenna panel before the offset.

[0487] According to an example embodiment, the one or more configuration parameters may indicate periodic uplink resources for the uplink signal. According to an example embodiment, the transmitting the uplink signal may be via an uplink resource of the periodic uplink resources.

[0488] According to an example embodiment, the downlink information indicating the activation of the antenna panel may comprise the downlink information scheduling a transport block via the antenna panel.

[0489] According to an example embodiment, the wireless device may activate, within the offset, a fifth antenna panel of the plurality of antenna panels. According to an example embodiment, the wireless device may transmit the uplink signal indicating a deactivation of the fifth antenna panel based on the activating the fifth antenna panel within the offset.

[0490] According to an example embodiment, the wireless device may activate, before the offset, a sixth antenna panel of the plurality of antenna panels. According to an example embodiment, the wireless device may transmit the uplink signal indicating the activation of the sixth antenna panel based on the activating the sixth antenna panel before the offset.

[0491] According to an example embodiment, the wireless device may deactivate, within the offset, a seventh antenna panel of the plurality of antenna panels. According to an example embodiment, the wireless device may transmit the uplink signal indicating an activation of the seventh antenna panel based on the deactivating the seventh antenna panel within the offset.

What is claimed is:

1. A method comprising:

determining, by a wireless device, to deactivate an antenna panel of a plurality of antenna panels at the wireless device;

transmitting an uplink signal indicating the determination to deactivate the antenna panel;

- starting a time window based on transmitting the uplink signal; and
deactivating the antenna panel based on an expiry of the time window.
2. The method of claim 1, wherein the time window is a time duration or a period of time.
3. The method of claim 1, wherein the time window is preconfigured or fixed.
4. The method of claim 1, wherein the transmitting the uplink signal is for a periodic beam reporting.
5. The method of claim 1, wherein the deactivating comprises:
not transmitting, via the antenna panel, an uplink signal;
and
not receiving, via the antenna panel, a downlink signal.
6. The method of claim 1, further comprising receiving one or more messages comprising one or more configuration parameters.
7. The method of claim 6, wherein the one or more configuration parameters indicate a value for the time window.
8. The method of claim 6, further comprising:
determining to activate a second antenna panel of the plurality of antennas panels;
transmitting a second uplink signal indicating the determination to activate the second antenna panel;
starting a second time window based on transmitting the second uplink signal; and
activating the second antenna panel based on an expiry of the second time window.
9. The method of claim 8, wherein the second time window is a time duration or a period of time.
10. The method of claim 8, wherein the one or more configuration parameters indicate a value for the second time window.
11. A wireless device comprising:
one or more processors; and
memory storing instructions that, when executed by the one or more processors, cause the wireless device to:
determine, by a wireless device, to deactivate an antenna panel of a plurality of antenna panels at the wireless device;
transmit an uplink signal indicating the determination to deactivate the antenna panel;
start a time window based on transmitting the uplink signal; and
deactivate the antenna panel based on an expiry of the time window.
12. The wireless device of claim 11, wherein the time window is a time duration or a period of time.
13. The wireless device of claim 11, wherein the time window is preconfigured or fixed.
14. The wireless device of claim 11, wherein the transmitting the uplink signal is for a periodic beam reporting.
15. The wireless device of claim 11, wherein the deactivation comprises:
not transmitting, via the antenna panel, an uplink signal;
and
not receiving, via the antenna panel, a downlink signal.
16. The wireless device of claim 11, wherein the instructions, when executed by the one or more processors, further cause the wireless device to receive one or more messages comprising one or more configuration parameters.
17. The wireless device of claim 16, wherein the one or more configuration parameters indicate a value for the time window.
18. The wireless device of claim 16, wherein the instructions, when executed by the one or more processors, further cause the wireless device to:
determine to activate a second antenna panel of the plurality of antennas panels;
transmit a second uplink signal indicating the determination to activate the second antenna panel;
start a second time window based on transmitting the second uplink signal; and
activate the second antenna panel based on an expiry of the second time window.
19. The wireless device of claim 18, wherein the one or more configuration parameters indicate a value for the second time window.
20. A system comprising:
a wireless device comprising:
one or more first processors; and
first memory storing first instructions that, when executed by the one or more first processors, cause the wireless device to:
determine, by a wireless device, to deactivate an antenna panel of a plurality of antenna panels at the wireless device;
transmit an uplink signal indicating the determination to deactivate the antenna panel;
start a time window based on transmitting the uplink signal; and
deactivate the antenna panel based on an expiry of the time window; and
a base station comprising:
one or more second processors; and
second memory storing second instructions that, when executed by the one or more second processors, cause the base station to receive the an uplink signal.

* * * * *