



- (51) International Patent Classification:
H01F 38/14 (2006.01) *H01F 27/36* (2006.01)
- (21) International Application Number:
PCT/EP2014/057094
- (22) International Filing Date:
8 April 2014 (08.04.2014)
- (25) Filing Language:
English
- (26) Publication Language:
English
- (30) Priority Data:
1306401.9 9 April 2013 (09.04.2013) GB
- (71) Applicant: **BOMBARDIER TRANSPORTATION GMBH** [DE/DE]; Schöneberger Ufer 1, 10785 Berlin (DE).
- (72) Inventors: **ANDERS, Dominik**; Lindenhofstraße 96, 68163 Mannheim (DE). **WECHSLER, Simon**; Augartenstrasse 40, 68165 Mannheim (DE). **CZAINSKI, Robert**; ul. Ogrodowa 32H, PL-71-032 Szczecin (PL). **GARCIA, Federico**; Eichelbergstrasse 1, 68163 Mannheim (DE).

- (74) Agent: **PATENTANWÄLTE BRESSEL UND PARTNER MBB**; Potsdamer Platz 10, 10785 Berlin (DE).
- (81) Designated States (*unless otherwise indicated, for every kind of national protection available*): AE, AG, AL, AM, AO, AT, AU, AZ, BA, BB, BG, BH, BN, BR, BW, BY, BZ, CA, CH, CL, CN, CO, CR, CU, CZ, DE, DK, DM, DO, DZ, EC, EE, EG, ES, FI, GB, GD, GE, GH, GM, GT, HN, HR, HU, ID, IL, IN, IR, IS, JP, KE, KG, KN, KP, KR, KZ, LA, LC, LK, LR, LS, LT, LU, LY, MA, MD, ME, MG, MK, MN, MW, MX, MY, MZ, NA, NG, NI, NO, NZ, OM, PA, PE, PG, PH, PL, PT, QA, RO, RS, RU, RW, SA, SC, SD, SE, SG, SK, SL, SM, ST, SV, SY, TH, TJ, TM, TN, TR, TT, TZ, UA, UG, US, UZ, VC, VN, ZA, ZM, ZW.
- (84) Designated States (*unless otherwise indicated, for every kind of regional protection available*): ARIPO (BW, GH, GM, KE, LR, LS, MW, MZ, NA, RW, SD, SL, SZ, TZ, UG, ZM, ZW), Eurasian (AM, AZ, BY, KG, KZ, RU, TJ, TM), European (AL, AT, BE, BG, CH, CY, CZ, DE, DK, EE, ES, FI, FR, GB, GR, HR, HU, IE, IS, IT, LT, LU, LV,

[Continued on next page]

(54) Title: RECEIVING DEVICE WITH COIL OF ELECTRIC LINE FOR RECEIVING A MAGNETIC FIELD AND FOR PRODUCING ELECTRIC ENERGY BY MAGNETIC INDUCTION AND WITH MAGNETIZABLE MATERIAL

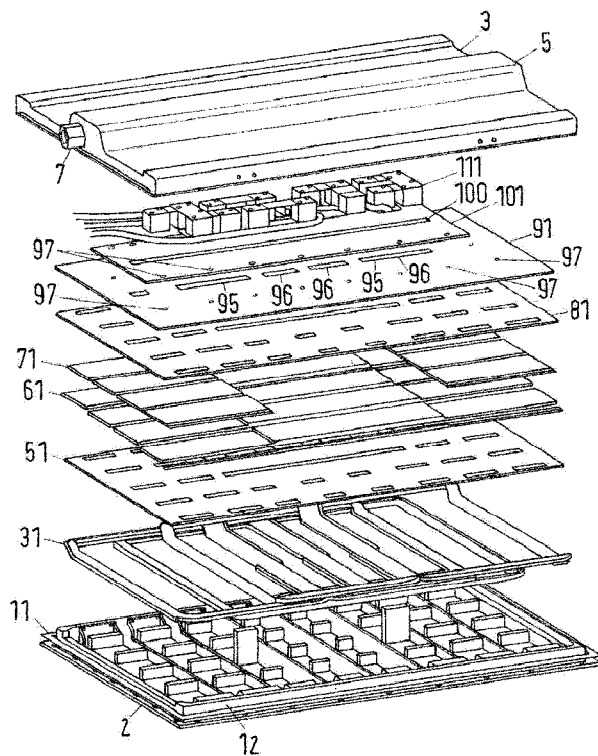


Fig.3

(57) Abstract: The invention relates to a receiving device (1) for receiving a magnetic field and for producing electric energy by magnetic induction, wherein - the receiving device (1) comprises at least one coil (33, 35, 37) of at least one electric line (32, 34, 36) and wherein the magnetic field induces an electric voltage in the at least one coil (33, 35, 37) during operation, - the receiving device (1) and the at least one coil (33, 35, 37) are adapted to receive the magnetic field from a receiving side of the receiving device (1), - the receiving device (1) comprises a field shaping arrangement (61) comprising magnetizable material adapted to shape magnetic field lines of the magnetic field, - the field shaping arrangement (61) is placed behind the at least one coil (33, 35, 37), if viewed from the receiving side of the receiving device (1), - a depth, to be measured in the direction from the receiving side of the receiving device (1) to the side of the receiving device (1) opposite to the receiving side, of the field shaping arrangement (61) varies. The invention also relates to a method of manufacturing a receiving device and an arrangement comprising the receiving device.



MC, MK, MT, NL, NO, PL, PT, RO, RS, SE, SI, SK, **Published:**
SM, TR), OAPI (BF, BJ, CF, CG, CI, CM, GA, GN, GQ, — *with international search report (Art. 21(3))*
GW, KM, ML, MR, NE, SN, TD, TG).

Declarations under Rule 4.17:

— *of inventorship (Rule 4.17(iv))*

Receiving device with coil of electric line for receiving a magnetic field and for producing electric energy by magnetic induction and with magnetizable material

The invention relates to a receiving device for receiving a magnetic field and for producing electric energy by magnetic induction, in particular for use by a vehicle. The invention also relates to a method of manufacturing such a receiving device. In particular, the invention can be applied in the field of wireless transfer of energy to vehicles, such as road automobiles, busses, vans, trucks, but also load carriers, e.g. forklift trucks, and rail vehicles. The receiving device shall be adapted to produce electric power at least at rates in the kilowatt range, e.g. 20 kW.

WO 2012/010649 A2 discloses an arrangement for receiving an electromagnetic field, for producing electric energy from the electromagnetic field by induction and for providing a load with the electric energy, in particular for providing a rail vehicle (e.g. a tram) or a road vehicle with energy. For producing electric energy by induction, the receiving arrangement comprises at least one inductor which may be realized by one or more windings of an electrical conductor. While a load is provided with electric energy from the receiving arrangement, the resulting alternating current produced by the inductor is rectified. An output side of the rectifier is connected to the load. The receiving arrangement may have three phases for receiving the electromagnetic field and the rectifier may be connected to the three phase lines of the receiving arrangement. Each phase comprises an inductance and a capacitance, which may be realized by in each case at least one capacitor.

There is a demand for the integration of such a receiving device or a different receiving device in existing motor vehicles, such as road automobiles. The weight of the receiving device should be small, since the maximum revenue load of the vehicle should be affected as little as possible. In addition, the construction of the receiving device and the mounting of the receiving device should be stable and also easy to assemble. Existing spaces especially in the region of the bottom of the vehicle's car body should be utilized.

Typically, the magnetic field (as part of an alternating electromagnetic field) is produced by a device below the vehicle's bottom. Therefore, the receiving device which is typically mounted at the bottom of the vehicle receives the magnetic field from below, i.e. from the bottom side. However, it is possible to orient the receiving device in a different direction (such as the horizontal direction) if the magnetic field generating device is located in this direction. Generally speaking, the receiving device has a receiving side and, during operation, the magnetic field enters the receiving device or its case on the receiving side.

EP 2081792 B1 discloses a cladding element having a receiving unit integrated therein. The receiving unit comprises a receiver coil for contactless transmission of electrical energy and a plurality of flow conducting elements that are allocated to the receiver coil and designed to concentrate the field strength and are made from a material having high permeability compared with air.

Magnetizable material, such as iron or ferrite, can be used to shape the field lines of the magnetic field. This may enhance field intensity at the location of the coil or coils of the receiving device. Furthermore, the magnetizable material shields the surroundings of the receiving device, in particular the area beyond the magnetizable material if viewed from the coil or coils. However, magnetizable material is typically heavy material which consequently increases the weight of the receiving device.

It is an object of the present invention to provide a receiving device and a method of manufacturing a receiving device which comprises magnetizable material, wherein the weight of the receiving device is small. In particular, the receiving device shall be mechanically stable and producible at small costs.

According to a basic idea of the present invention, the thickness of the magnetizable material, which is located behind the coil or coils, varies. "Behind" means that the magnetizable material is located in between the coil or coils and the side of the receiving device which is opposite to the receiving side. Alternatively, the thickness can be named "depth". The direction, in which the thickness or depth is to be measured, is the direction from the receiving side of the receiving device to the side of the receiving device opposite to the receiving side.

By varying the depth of the magnetizable material, weight can be saved. In particular, the depth of the magnetizable material can be chosen so that the magnetizable material is deeper where necessary and less deep where sufficient. In particular, the depth of the magnetizable material is designed to be larger at locations, if viewed from the receiving side, behind regions of the coil where the electromagnetic field produced by electric currents through the at least one coil is larger compared to locations behind regions of the coil where the electromagnetic field produced by electric currents through the at least one coil is smaller. Provided that the field intensity of the magnetic field, which is produced by a generating device for transferring energy to the receiving device by induction and which enters the receiving device on the receiving side, is essentially constant along the extensions of the coil or coils, only the electric currents which are induced in the coil or coils are responsible for variations of the field intensity behind the coil or coils.

In particular, the magnetizable material is arranged above the coil or coils, if the receiving side is the bottom side. In any case, the field lines of the magnetic field enter the receiving device on the receiving side, penetrate the area covered by the coil or coils and are re-directed and bundled within the magnetizable material so as to return to the field generating device.

Preferably, in the case of coils arranged to produce different phases of an alternating current, the depth of the magnetic layer is larger behind a first region where coils of different phases overlap, and in particular where electric lines of different coils overlap each other, compared to a second region where there is no overlap of coils of different phases or electric lines of different coils.

In particular, the outline of the field shaping arrangement, which is formed by the magnetizable material, may have a hat-like shape with a deeper central region and two less deep peripheral regions. In particular, the deeper central region is located behind regions of the coil or coils having more parallel electric lines, thereby producing a larger electromagnetic field than the peripheral regions. In particular, the central region and the two less deep peripheral regions may form a planar outline (i.e. an outline having no recesses or protrusions, except for gaps in between field shaping elements) on the side facing the coil or coils.

In particular, the following is proposed: A receiving device for receiving a magnetic field and for producing electric energy by magnetic induction, in particular for use by a vehicle, wherein

- the receiving device comprises at least one coil of at least one electric line and wherein the magnetic field induces an electric voltage in the at least one coil during operation,
- the receiving device and the at least one coil are adapted to receive the magnetic field from a receiving side of the receiving device,
- the receiving device comprises a field shaping arrangement comprising magnetizable material adapted to shape magnetic field lines of the magnetic field,
- the field shaping arrangement is placed behind the at least one coil, if viewed from the receiving side of the receiving device,
- a depth, to be measured in the direction from the receiving side of the receiving device to the side of the receiving device opposite to the receiving side, of the field shaping arrangement varies.

Furthermore, proposed is: A method of manufacturing a receiving device for receiving a magnetic field and for producing electric energy by magnetic induction, in particular for use by a vehicle, wherein

- at least one coil of at least one electric line is provided, wherein the at least one coil comprises an inductance, so that the magnetic field induces an electric voltage in the at least one coil during operation of the receiving device,
- the coil is arranged to receive the magnetic field from a receiving side of the receiving device,
- a field shaping arrangement, comprising magnetizable material adapted to shape magnetic field lines of the magnetic field, is placed behind the at least one coil, if viewed from the receiving side of the receiving device,

so that a depth, to be measured in the direction from the receiving side of the receiving device to the side of the receiving device opposite to the receiving side, of the field shaping arrangement varies.

In particular, the receiving device may comprise a plurality of electric lines for carrying different phases of an alternating electric current. In addition or alternatively, the receiving device may comprise a plurality of coils, wherein coils of the same phase line may be arranged next to each other and wherein coils of different phase lines may overlap each

other. "Overlap" means that the magnetic field lines, which enter the receiving device on the receiving side and which penetrate one coil towards the side opposite to the receiving side, also penetrate the overlapping coil(s).

In the following the expression "magnetic material" is used as a synonym of "magnetizable material", although the magnetic state of the material may change. Preferably, the coil or coils of the receiving device is/are combined with ferromagnetic and/or ferrimagnetic material (such as a ferrite), which is arranged behind the coil or coils.

In particular, the area covered by the at least one coil includes the whole area around which any winding of the coil or coils circulates.

In particular, a layer of electrically insulating material and/or of elastic material can be arranged between the coil or coils and the magnetic material. In case of electrically conducting magnetic material, this layer insulates and in case of an elastic layer, mechanic vibrations and wear of the coils and the magnetic material is prohibited.

In particular, the field shaping arrangement is formed by a plurality of field shaping elements made of the magnetizable material. Using field shaping element facilitates forming the field shaping arrangements. More or less field shaping elements can be stacked so as to vary the depth of the field shaping arrangement. In particular, different field shaping elements can be placed next to each other, but leaving a gap in between the neighboring field shaping elements, wherein the gap extends in a direction transverse to the direction of the depth. Consequently, magnetizable material can be saved and the weight is further reduced. Preferably, the gap or gaps are sized and are adapted to the depth of the field shaping arrangement according to the desired shielding effect of the magnetizable material. For example, the desired shielding effect can be defined by a maximum value of the magnetic field behind the field shaping arrangement, if viewed from the coil or coils.

In particular, the field shaping elements may have equally large depths and the depth of the field shaping arrangement varies, because different numbers of the field shaping elements are stacked upon each other in the direction from the receiving side to the side opposite to the receiving side. Using field shaping elements having equally large depths facilitates forming the desired variation of the depth of the field shaping arrangement.

Preferably, variations of the depth of the field shaping arrangement are compensated by at least one compensating element made of non-magnetizable material. It is preferred that the material of the compensating element(s) is lighter in weight per volume compared to the magnetic material. "Compensation" means that the total depth of the combined arrangement consisting of the field shaping arrangement and of the at least one compensating element varies less than the depth of the field shaping arrangement. It is possible, but not preferred, that at least one compensating element is arranged in between field shaping elements so as to form a combined stack of field shaping elements and at least one compensating element. In this case, the depth of the field shaping arrangement is equal to the total depth reduced by the depth of the at least one compensating element. For example, the compensating element may be made of plastic, for example a polymer.

Compensating variations of the depth of the field shaping arrangement facilitates the assembly of the receiving device. In particular, the receiving device may comprise different layers and/or modules which are stacked upon each other. Similarly to the layer of electrically insulating material and/or of elastic material mentioned above, such a layer can be arranged behind the field shaping arrangement, if viewed from the coil or coils. Further layers may be a shield made of electrically conducting material for shielding an electric field and a module comprising capacitors. Examples are given below. If the variations of the depth of the field shaping arrangement would not be compensated, these layers and modules needed to be adapted to the depth profile of the field shaping arrangement. Otherwise, mechanical stability is at risk. Since it should be possible to produce receiving devices with different depth profiles of the field shaping arrangement, this would require individually shaped parts for the respective receiving device. Therefore, the same type of additional layers and modules can be used for different depth profiles, if the depth variations are compensated.

Preferably, the variations of the depth are compensated so that the depth of a combined arrangement consisting of the field shaping arrangement and of the at least one compensating element is constant. Due to this depth compensation it is possible to use planar layers, elements and modules in regions of the receiving device beyond the magnetic layer (if viewed from the coil or coils) and hollow spaces are avoided. Therefore, the receiving device can be compact and stable. For example, a layer of elastic material

and/or a layer of electrically conducting material (which therefore shields electromagnetic radiation) and/or a layer of electrically insulating material (which might be the base plate of an electric circuit arrangement comprising the at least one capacitor and connecting electric lines for connecting the capacitor(s) and/or the coils to an external device may be placed on the region which is formed by the magnetic material and the height compensating material.

In particular, the coil or coils comprise in each case at least one winding of the electric line (in case of at least two phases: the phase lines) and the winding or windings of the respective coil defines a central axis around which the electric line is wound. In particular, the windings of the respective coil may circulate around an area in each case, wherein the area is substantially the same for each winding of the respective coil. Furthermore, it is preferred that all coils of the receiving device have areas enclosed by the windings, which areas have substantially (with variations of only a few percent) the same size. The central axis mentioned above penetrates the area at its center. Preferably, the coil or coils of the receiving device is/are flat, i.e. the winding or windings of each coil extend(s) in a plane and the planes of any different windings of the same coil are identical or parallel to each other. In case of plural phases, sections of the electric lines of at least one of the coils may extend outside of the plane due to the fact that electric lines of different coils and/or phases overlap each other if viewed from the receiving side.

Preferably, not only the planes of different windings of the same coil, but also the planes of the windings of different coils are identical or parallel to each other so that the complete arrangement of the coils is flat, which means that the coils cover an area, which is penetrated by the magnetic field during operation and which is significantly wider and longer compared to the total height of the coil arrangement. In particular, the height may be smaller than $1/3$, preferably one $1/5$ and most preferred $1/10$ of the width and length of the covered area. Consequently, the coil arrangement can be housed by a housing (or case) that is shaped like a flat box, i.e. a box having a small height compared to its width and length.

More generally speaking, the case has a flat configuration defining a first surface on the receiving side and a second surface on the side opposite to the receiving side, wherein the first surface and the second surface are connected by surface areas of the case which

are oriented in each case to another side than the receiving side and the side opposite to the receiving side and which are smaller than the first surface and the second surface.

In particular, at least one fastening and/or stiffening element in the shape of a column (preferably a plurality of columns) extending from the receiving side to the opposite side may be part of the receiving device. The column(s) may be used to fix and/or separate different regions (in particular the field shaping elements) of the magnetizable material of the field shaping arrangement. This facilitates mounting of the magnetic material and guarantees that the magnetic material remains in predetermined desired positions and/or regions. Preferably, the at least one column separates the different regions of magnetic material with respect to a first direction (e.g. the transverse direction) and separates different electric lines and/or bundles of electric lines with respect to a second direction (e.g. the longitudinal direction), wherein the first direction and the second direction may extend transverse to each other, in particular perpendicularly to each other. The first and second direction may extend perpendicularly to the direction from the receiving side to the opposite side of the receiving device.

At least one column of the separating structure may extend through a cut out of a material layer, which material layer is arranged on the side opposite to the receiving side if viewed from the at least one coil. This layer may be made of elastic material. Alternatively or in addition, the material of the layer may be electrically conducting or electrically insulating. In any case, the column either holds the layer or, at least, limits movement of the layer.

At least one column of the fixing and/or separating structure may be fixed to a base plate of the separating structure or of a case of the receiving device, the base plate being preferably arranged on the receiving side if viewed from the at least one coil. By fixing the at least one column to the base plate, the column can be fixed in a desired, stable position. This facilitates assembling of the receiving device, since the column can be used for the assembly of other components of the receiving device as separator or holding element.

Embodiments of the method of manufacturing the receiving device follow from the description of the embodiments of the receiving device.

Examples of the invention will be described with reference to the attached drawing. The figures of the drawing show:

- Fig.1 an example of a case of a receiving device in a three dimensional view,
- Fig. 2 a view of a side face of the case shown in Fig. 1,
- Fig. 3 an exploded view of the case shown in Fig. 1 and Fig. 2 with the interior components of the receiving device, according to a specific embodiment, i.e. the interior components may be varied,
- Fig. 4 an example of an arrangement of coils, in particular the arrangement shown in Fig. 3,
- Fig. 5 a base part of the case shown in Fig. 1 and Fig. 2 with a specific embodiment of an arrangement of components for positioning and/or fixing interior components of the receiving device,
- Fig. 6 a layer of electrically insulating elastic material for covering the coil arrangement of a receiving device,
- Fig. 7 schematically an intermediate layer of the interior of a receiving device, such as the layer shown in Fig. 6, and a plurality of blocks made of magnetic material in an exploded view,
- Fig. 8 schematically a side view of an arrangement of interior components of a receiving device, comprising a plurality of coils, an intermediate layer and an arrangement of magnetic material elements as well as height compensating elements,
- Fig. 9 a base plate made of electrically insulating material and an arrangement of capacitors and connecting lines in an exploded view, wherein the capacitors and connecting lines are to be positioned within a protruding portion of a case,
- Fig. 10 an arrangement of the case shown in Fig. 1 and a rectifier,
- Fig. 11 schematically a road vehicle and an arrangement for inductively transferring energy to the road vehicle, wherein a receiving device for receiving a magnetic field is integrated at the bottom of the vehicle,
- Fig. 12 schematically a cross section through a part of an arrangement similar to the arrangement shown in Fig. 5 in combination with the arrangement shown in Fig. 7 and
- Fig. 13 schematically a cross section through a part of an arrangement similar to the arrangement shown in Fig. 4 and 5 in combination with the arrangement shown

in Fig. 7, wherein the image plane of Fig. 13 extends perpendicularly to the image plane of Fig. 12.

The receiving device 1 shown in Fig. 1 and Fig. 2 comprises a case having a base plate 2 and a top part or cover 3. While the base plate 2 forms a planar surface on the underside (the receiving side of the receiving device to be housed by the case), the top surface formed by the cover 3 is not planar as a whole, but only comprises planar regions. The cover 3 has three elongated protruding portions 5, 6a, 6b which protrude to the top side (the side opposite to the receiving side of the case or receiving device).

In the embodiment shown in Fig. 1 and Fig. 2, the cover 3 forms the main sections of the side surfaces of the case 1. In alternative embodiments, the case may comprise more than two parts forming the outer surfaces and/or larger parts of the side surfaces may be formed by the base part which corresponds to the base plate 2 in Fig. 1 and Fig. 2.

As shown in Fig. 1, the side surfaces of the case comprise a plurality of means for fixing the case 1 to a vehicle, in particular to a frame construction of the vehicle. For example, the fixing means 8 may be threaded holes for screwing the case to the vehicle.

The protruding portions 5, 6a, 6b of the cover 3 are elongated, i.e. in each case comprise a longitudinal axis along which they extend. Preferably, the protruding portions extend along the whole length of the case and preferably have the same profile along their extension in longitudinal direction.

The protruding portion 5 is located in the center of the case (if viewed in width direction) and extends along the center line of the case, i.e. in lengthwise direction of the case. The cross section of the protruding portion 5 is trapezoidal, wherein the cross section tapers to the free top end of the protruding portion 5.

According to the specific embodiment shown in Fig. 1 and Fig. 2, the central protruding portion 5 has an opening in the side face shown in Fig. 2 which opens to a tubular connecting part 7 that can be used for receiving electric connection lines or cables.

Variations of the embodiment shown in Fig. 1 and Fig. 2 are possible, such as a case having the protruding portion 5 along the center line, but does not have the side protruding portions 6a, 6b or only having one of these side protruding portions.

The exploded view of Fig. 3 shows a specific embodiment of a receiving device, wherein the components of the receiving device are housed by the case shown in Fig. 1 and Fig 2.

The base part 2 of the case carries a holding device 12 for holding other interior components of the receiving device, in particular electric lines that form in each case two coils of three phases. In addition, the holding device 12 comprises a plurality of columns for separating, holding and/or fixing components of the receiving device which are located above the coils. In particular, at least one intermediate layer of insulating and/or elastic material, magnetic material, a layer of electrically conducting shield material and/or a base plate for an electric circuit arrangement can be separated, held and/or fixed using one or more than one of the columns.

When the cover 3 of the case is mounted to the base plate 2 of the case, the outer rim of the cover 3 abuts on a sealing 11 which is positioned in the periphery of the holding device 12 and is supported by the rim of the base plate 2.

A coil arrangement 31 is positioned within pre-defined receiving spaces of the holding device 12. Since the different electric lines (phase lines) for producing the different phases of an alternating current form coils which overlap each other if viewed from the top (from the cover 3), the phase lines of at least two of the phases rise nearby the longitudinal sides of the coil arrangement so that they extend along the longitudinal side one upon the other, where they overlap. Details of a specific embodiment of this kind are shown in Fig. 4 and will be described later.

The coil arrangement 31 is covered by a layer 51 of elastic material which is preferably also electrically insulating. The layer 51 may be formed by a single piece of material or by a plurality of pieces.

An arrangement 61 of magnetizable material, in particular ferrimagnetic material or alternatively ferromagnetic material, is placed on the intermediate layer 51. Preferably, the height (i.e. the depth) of the magnetic material differs and is larger above (i.e. behind)

regions where the density (number per length) of the electric lines of the coil arrangement 31 is higher.

Preferably, compensating material 71 is placed where the height of the magnetic material 61 is smaller so that the height of the total arrangement of magnetic material 61 and compensating material 71 is constant or, at least, varies less than the height of the magnetic material 61.

In the specific embodiment shown in Fig. 3, a second intermediate layer 81, which may have the features described above for the intermediate layer 51, is placed on top of the magnetic material 61 or the compensating material 71.

A shielding layer 91 made of electrically conducting material, for example aluminum, is placed on top of the second intermediate layer 81. The shielding layer 91 has cut outs 95 so that at least some of the columns of the holding device 12 can extend through the cut outs 95. Some cut outs or regions 96 of the cut outs can be used for placing sections of electric connections between the coil arrangement 31 and the electric circuit 111 that is placed above the shielding layer 91.

The circuit arrangement 111 is placed on a sheet-like carrier 101, such as a conventional circuit board. There is a cut out 100 in the carrier 101 so that electric connections between the circuit arrangement 111 and the coil arrangement 31 can extend through the cut out 100.

In the specific embodiment shown in Fig. 3, the carrier 111 and the shielding layer 91 comprise bores 97 or other cut outs which allow for fixing the carrier 101 to columns of the holding device 12 so that the complete arrangement of interior components of the receiving device is fixed to the holding device 12. In particular, the electric circuit arrangement 111 can be fixed to the carrier, for example by soldering, and the holding device 12 can be fixed to the base plate 2 of the case, such as by gluing or screwing. Preferably, screws are also used to fix the carrier 101 to the columns of the holding device 12.

A preferred embodiment of the coil arrangement 31 is shown in Fig. 4. The coil arrangement consists of six coils 33a, 33b, 35a, 35b, 37a, 37b, two coils per phase line

32, 34, 36. The coils of each phase line are placed next to each other on the same height level of the receiving device. Fig. 4 shows an exploded view of the coil arrangement 31.

To form the two coils of one phase, the respective phase line 32, 34, 36 is wound starting at one end of a first coil around the area to be covered so as to form the first coil and further extends around the area to be covered by the second coils so as to form the second coil. In the example shown in Fig. 4, each coil may comprise two to five windings. The number of the windings of the phase lines 32, 34, 36 is not shown in the figures.

As mentioned before, the coils of the different phases overlap each other partially in the middle region of the coil arrangement 31. The phase lines 32, 34, 36 are placed one upon the other where the coils overlap. Since transversally extending sections of the different phase lines 32, 34, 36, which sections connect the longitudinal sides, are placed on the same height level in the finished coil arrangement 31, at least the phase lines 34, 36 rise along their extension next to the longitudinal sides of the coils. The holding device 12 defines spaces for receiving these transversely extending sections of the phase lines, wherein the spaces are on the same height level.

Although the phase lines 32, 34, 36 are preferably electrically insulated at their surfaces, the coils 33, 35, 37 of the different phases are preferably placed upon each other using distance pieces 41, 42, 43. These pieces are placed in between the phase lines 32, 34, 36 where they are placed one upon the other. In particular, there are three types of distance pieces. The first type 41 is used where the phase line 34 of the second phase is placed above the phase line 32 of the first phase along the longitudinal side of the coil arrangement 31. The first type 41 of distance pieces is elongated and extends along the longitudinal side and, at the same time, along the phase lines 32, 34 so as to form a distance between the phase lines 32, 34. The first type 41 of the distance pieces has a constant cross section. It is used for the second coil 33b of the first phase.

The second type 42 of distance pieces does not have a constant cross section, but the end region shown on the right hand side of Fig. 4 is significantly higher than the other sections. Where the distance pieces 42 are higher, the first coil 33a of the first phase supports the first coil 37a of the third phase. Where the height of the distance pieces 42 is smaller, the first coil 33a of the first phase supports the first coil 35a of the second phase.

The third type 43 of the distance pieces also has a non-constant, varying cross section. The end regions of the distance pieces 43 are higher than the other regions. Where the height is larger, the second coil 35b of the second phase supports other components of the receiving device which are placed above the coil arrangement 31. Where the height of the distance pieces 43 is smaller, the second coil 35b or the first coil 35a of the second phase supports the first or second coil 37a, 37b of the third phase.

In particular, the number of the distance pieces 41, 42, 43 depends on the number of windings per coil. Since the number of windings may differ in different embodiments of the arrangement, Fig. 4 shows different numbers of the different types of the distance pieces 41, 42, 43. However, in practice, it is preferred that all coils comprise the same number of windings and, consequently, that the numbers of the different types of distance pieces are equal.

The longitudinal section of the coil 33b of the first phase is fully overlapped by the coils 35a, 35b of the second phase. If the coils 35a, 35b are placed on top of the coils 33a, 33b, the transversely extending section at the side face of coil 35b is placed outside of the area which is covered by the second coil 33b of the first phase. The transversely extending section of the second phase which comprises sections of the first coil 35a and the second coil 35b is placed in the area around which the phase line 32 of the second coil 33b of the first phase extends. The transversely extending section of the first coil 35a of the second phase is placed in the area around which the phase line 32 of the first coil 33a of the first phase extends. The corresponding arrangement can be perceived from Fig. 3: the transversely extending sections of the coils are separated from the neighbouring transversely extending section of another coil in each case by at least one of the columns. In the example shown, there are five columns in each case in between two neighbouring transversely extending sections.

The coils 35 of the second phase and the coils 37 of the third phase are shifted in a similar manner relative to each other as the first phase and the second phase, but the shift length in longitudinal direction is twice as large as the shift length of the first and second phase. As a result, the transversely extending section at the side face of the first coil 37a of the third phase is placed outside of the area around which the phase line 32 of the first coil 33a of the first phase extends. On the other hand, the shift length in longitudinal direction of the third phase relative to the first phase has the same amount as the shift

length of the first phase and the second phase, but is oriented in the opposite direction if viewed from the first phase coil arrangement.

At least one end of the phase line 32, 34, 36 which forms the coils of the respective phase is connected to a line section or forms a line section that extends upwards from the coils. Respective upwardly extending sections 38, 39, 40 are shown in Fig. 4. The other ends of the phase lines 32, 34, 36 can directly be connected to each other (not shown in Fig. 4) so as to form an electrical star point. Since at least one end of each phase line 32, 34, 36 is connected to an upwardly extending section 38, 39, 40, the coil arrangement can be electrically connected in a different region (in particular on a higher level) of the receiving device, in particular to components which are located in the protruding portion of the case. In particular, the upwardly extending sections 38, 39, 40 are connected to in each case at least one capacitor of the circuit arrangement 111 shown in Fig. 3 and Fig. 9.

The enlarged view of the base plate 2 and the holding device 12 shown in Fig. 5 comprises a plurality of columns 13, 14, 15 which extend upwards from the basis of the holding device. A preferred material of the holding device 12 is plastic, such as a polymer. Preferably, the basis of the holding device 12 is sheet-like forming a planar or merely planar outer surface facing to the base plate 2. Preferably, the columns 13, 14, 15, the basis and optionally further portions (e.g. holding portions for holding electric lines or bundles of electric lines) of the holding device 12 are formed as an integral part, for example by injection moulding. Alternatively, at least one of the columns 13, 14, 15 can be manufactured as a separate piece and can be fixed to the basis.

The holding device 12 comprises holding portions 16, 17 for holding electric lines or bundles of electric lines. Depending on the number of the electric lines or bundles of electric lines to be held by the individual holding portion 16, 17, the holding portions are wider or narrower (with respect to the longitudinal direction). In the example shown in Fig. 5, the first three holding portions 16 from the left and from the right in the figure are narrower than the three holding portions 17 in the middle.

The columns 13, 14, 15 are arranged in lines extending in the longitudinal direction (from left to right in Fig. 5) and rows extending in transverse direction (from front to back in Fig. 5). There are spaces in between the rows of columns and beyond the first and last row, wherein these spaces are adapted to receive the respective transversely extending

sections of the coils of the coil arrangement, in particular the coil arrangement 31 as shown in Fig. 4. In the specific embodiment shown in Fig. 5, the width of these spaces as measured in the longitudinal direction differs corresponding to the number of sections of electric lines which are to be placed side by side to each other on the same height level. Consequently, in view of the coil arrangement 31 shown in Fig. 4, the first three spaces have a smaller width which is in particular half as wide as the width of the three spaces in the middle of the holding device 12.

The lines of the columns 13, 14, 15 are spaced so that pieces of magnetic material and optionally compensating material can be placed in between in each case two of the columns.

In addition, at least one of the columns 13, 14, 15 can be used for fixing other components of the receiving device to the column and thereby to the holding device 12.

Therefore, the columns combine different functions, in particular separating different transversely extending sections of coil, separating different pieces of material, such as magnetic material and compensating material, and/or fixing other components to the respective column. A further possible function is separating components of the receiving device from the basis of the holding device and/or from the basis of the receiving device at the receiving side. "Separating" means that the respective components or parts cannot contact each other. The respective dimension of the column, either in longitudinal direction, in transverse direction or in height direction, defines the minimum distance between the two parts or components which are separated.

In addition, as mentioned before, the specific embodiment of the holding device 12 shown in Fig. 5 comprises elevated rims 18 along the longitudinal sides. In any case, the rims of the holding device along the longitudinal sides are adapted to receive the corresponding sections of the coil arrangement.

Preferably, the spaces for receiving the phase lines of the coil arrangement have shaped surfaces, in particular grooved surfaces, so that the phase lines are held in place and do not slip. In particular, these spaces can be provided by holding portions of the holding device.

In particular, two columns 15 of the holding device 12 are higher than the other columns 13, 14 and serve to position and/or fix the carrier 101 and the circuit arrangement 111 shown in Fig. 3 and Fig. 9.

The intermediate layer 51 (and optionally the intermediate layer 71) shown in Fig. 3 are shaped as shown in Fig. 6. The layer 51 may be made of an elastic material, such as silicone. The layer 51 comprises a plurality of cut outs 23, 24, 25 which are arranged in lines and rows similarly to the lines and rows of the columns 13, 14, 15 of the holding device 12. Preferably, the cut outs 23, 24, 25 are sized so that the columns may extend through the cut outs while abutting to the surfaces of the cut outs 23, 24, 25. It is preferred that the surfaces of the cut outs 23, 24, abut to the surface of the respective column 13, 14 all around the column. In the center line of the receiving device and, therefore, of the layer 51, there is the cut out 25 which has a length that is larger than the length of the columns 15. This allows for passing other components through the cut out 25. In particular, the upwardly extending line sections 38, 39, 40 shown in Fig. 4 may extend through the cut out 25.

Fig. 7 and Fig. 8 schematically show the arrangement of a plurality of magnetic material pieces 62 (e.g. pieces having the shape of a cuboid) which is to be placed on an intermediate layer 51 which may be the intermediate layer 51 shown in Fig. 6. However, the number of cut outs 23, 24 and their shapes may vary from embodiment to embodiment. In addition, the arrangement can be used with a different type of receiving device as described with reference to the figures. Fig. 7 and Fig. 8 show the principle of placing magnetic material above the coil arrangement of a receiving device, independent of the interior components used in the receiving device and independent of the specific dimensions of the interior components of the receiving device.

In Fig. 7, areas 63 where magnetic material pieces 62 are to be placed are indicated by dashed outlines. For a first line of such areas 63, the pieces 62 are shown in the exploded view of Fig. 7. There are four pieces 62 to be placed on top of the two areas 63 in the middle of the line and there are only two pieces 62 to be placed on the two areas 63 at the end of the line. The resulting stacked arrangement of pieces 62 is schematically shown in Fig. 8. Since all pieces 62 have the same dimensions, the two stacks in the middle are twice as high as the two stacks at the opposite ends of the line. The motivation for these different total heights of magnetic material is the overlap of the different phase lines 32,

34, 36 which form the coils of the different phases, for example as shown in Fig. 4. Higher magnetic field strengths caused by more electric lines require more magnetic material.

In order to compensate for the different heights of the magnetic material, compensating material 72 is placed as shown in Fig. 8.

Fig. 7 also shows the cut outs 23, 24 and that the lines of areas where the magnetic material is to be placed are located in between the lines of the cut outs 23, 24. In longitudinal direction, it is preferred that the magnetic material pieces 62 abut to each other (in contrast to the small distances shown in Fig. 8). As preferred, at least one column (not shown in Fig. 7) and preferably a plurality of columns extend(s) in each case through one of the cut outs 23, 24, thereby separating the lines of the magnetic material pieces 62.

Variations of the embodiment of a field shaping arrangement shown in Fig. 7 and Fig. 8 are possible. In particular, it is not necessary to combine the arrangement with one of the intermediate layers or any of the intermediate layers shown in Fig. 6. Furthermore, the columns can be omitted. In addition, the shape of the elements made of magnetizable material may be different. However, shapes are preferred which allow for producing a mosaic of elements having seams between the elements, but no other hollow spaces.

Fig. 9 shows an enlarged view of the carrier 101 and of the electric circuit arrangement 111 which is carried and preferably fixed on the carrier 101. There is a plurality of block-shaped capacitors 115, some of which are electrically connected to each other by plate-like electrical connectors 116. In addition, the capacitors 115 are electrically connected to the respective coil in particular via the upwardly extending connecting sections 38, 39, 40 shown in Fig. 4 and are electrically connected via connection lines 112, 113, 114 to an external device, in particular to the rectifier 120 shown in Fig. 10. These external connection lines 112, 113, 114 can be guided through the connecting part 7 shown in Fig. 1 and Fig. 2.

At least the upper part of the circuit arrangement 111 shown in Fig. 9 can be placed within the protruding portion 5 of the cover 3 of the case shown in Fig. 1 and Fig. 10. The protruding portions 6a, 6b of the cover 3 along the longitudinal sides are preferably used

for receiving at least sections of the phase lines and optionally of the spacing pieces of the coil arrangement, such as the circuit arrangement 31 shown in Fig. 4.

Fig. 10 shows the receiving device 1 of Fig. 1 and a rectifier 120 which is housed by a housing 121. In particular, the connecting lines 112, 113, 114 shown in Fig. 9 connect the receiving device 1 with the rectifier 120.

The central protruding portion 5 of the receiving device 1 is elongated and extends along a longitudinal axis which is also the longitudinal axis of the housing 121 of the rectifier 120. This arrangement can be placed in corresponding recesses formed by the bottom surface of the car body of a road vehicle. Such a road vehicle 141 is shown in Fig. 11. The location of the receiving device is schematically indicated by a block with reference numeral 143 and the location of the rectifier is schematically indicated by a block with reference numeral 144.

During energy transfer to the vehicle, a generating device 142 generates the magnetic field, in particular by generating an alternating electromagnetic field. The magnetic field is indicated by three curved lines. The generating device 142 is provided with electric current from corresponding equipment 145, which may include an inverter and/or an AC/AC converter.

Figure 12 shows five columns 13, 15 which extend upwards from a base plate of a separating structure 12, wherein the receiving side of the receiving device is at the bottom of the figure. A layer 51 of elastic material extends at a distance and parallel to the base plate. In a similar manner as shown in the exploded view of Fig. 8, pieces of magnetic material 62 are laid on the layer 51 in between the columns 13, 15. Consequently, the columns 13, 15 separate the pieces of magnetic material 62. In addition, the columns 13, 15 extend through cut outs of the layer 51.

Figure 13 shows three columns 13, 14, 15 which extend upwards from a base plate of a separating structure 12, wherein the receiving side of the receiving device is at the bottom of the figure. In the same manner as shown in figure 12, the layer 51 of elastic material extends at a distance and parallel to the base plate. While Fig. 12 shows a region of the arrangement where no electric lines of the coil arrangement are positioned in between the base plate and the layer 51, Fig. 13 shows a region of the arrangement where bundles of

electric lines, in particular the phase lines 34, 36 of the arrangement shown in Fig. 4, of the coil arrangement are positioned in between the base plate and the layer 51. The bundles are held by holding portions 16, 17 of the separating structure 12. The holding portions 16, 17 in each case form a groove for receiving the electric lines 34, 36. In case of the receiving portions 16, there are three electric lines 36 side-by-side in the groove. In case of the receiving portions 17, there are five electric lines 34 side-by-side in the groove. In alternative embodiments, the electric lines may be held in a different manner, for example using a groove for each single electric line and/or with electric lines not or not only side-by-side in the longitudinal direction (horizontal direction in Fig. 13), but stacked. Consequently, the column 15 separates the holding portions 16, 17 and thereby the bundles of electric lines 34, 36. In addition, the column 15 extends through a cut out of the layer 51.

Modifications of the arrangement shown in Fig. 12 and Fig. 13 are possible. For example, the numbers and/or dimensions of the elements and components shown in the figures may vary. In addition, the columns may be used for separating, holding and/or fixing other components of the receiving device in addition to the components shown in the figures or alternatively to the at least a part of the components shown in the figures.

Claims

1. A receiving device (1) for receiving a magnetic field and for producing electric energy by magnetic induction, wherein
 - the receiving device (1) comprises at least one coil (33, 35, 37) of at least one electric line and wherein the magnetic field induces an electric voltage in the at least one coil (33, 35, 37) during operation,
 - the receiving device (1) and the at least one coil (33, 35, 37) are adapted to receive the magnetic field from a receiving side of the receiving device (1),
 - the receiving device (1) comprises a field shaping arrangement (61) comprising magnetizable material adapted to shape magnetic field lines of the magnetic field,
 - the field shaping arrangement (61) is placed behind the at least one coil (33, 35, 37), if viewed from the receiving side of the receiving device (1),
 - a depth, to be measured in the direction from the receiving side of the receiving device (1) to the side of the receiving device (1) opposite to the receiving side, of the field shaping arrangement (61) varies.
2. The receiving device of claim 1, wherein the depth of the magnetizable material is larger at locations, if viewed from the receiving side, behind regions of the coil where the electromagnetic field produced by electric currents through the at least one coil (33, 35, 37) is larger compared to locations behind regions of the coil where the electromagnetic field produced by electric currents through the at least one coil (33, 35, 37) is smaller.
3. The receiving device of claim 1 or 2, wherein the field shaping arrangement (61) is formed by a plurality of field shaping elements (62) made of the magnetizable material.
4. The receiving device of claim 3, wherein the field shaping elements (62) have equally large depths and wherein the depth of the field shaping arrangement (61) varies, because different numbers of the field shaping elements (62) are stacked upon each other in the direction from the receiving side to the side opposite to the receiving side.

5. The receiving device of one of claims 1 to 4, wherein variations of the depth of the field shaping arrangement (61) are compensated by at least one compensating element (72) made of non-magnetizable material.
6. The receiving device of claim 5, wherein the variations of the depth are compensated so that the depth of a combined arrangement consisting of the field shaping arrangement (61) and of the at least one compensating element (72) is constant.
7. A method of manufacturing a receiving device (1) for receiving a magnetic field and for producing electric energy by magnetic induction, wherein
 - at least one coil (33, 35, 37) of at least one electric line is provided, wherein the at least one coil (33, 35, 37) comprises an inductance, so that the magnetic field induces an electric voltage in the at least one coil (33, 35, 37) during operation of the receiving device (1),
 - the coil (33, 35, 37) is arranged to receive the magnetic field from a receiving side of the receiving device,
 - a field shaping arrangement (61), comprising magnetizable material adapted to shape magnetic field lines of the magnetic field, is placed behind the at least one coil (33, 35, 37), if viewed from the receiving side of the receiving device (1),so that a depth, to be measured in the direction from the receiving side of the receiving device (1) to the side of the receiving device (1) opposite to the receiving side, of the field shaping arrangement (61) varies.
8. The method of claim 7, wherein the depth of the magnetizable material is designed to be larger at locations, if viewed from the receiving side, behind regions of the coil where the electromagnetic field produced by electric currents through the at least one coil (33, 35, 37) is larger compared to locations behind regions of the coil where the electromagnetic field produced by electric currents through the at least one coil (33, 35, 37) is smaller.
9. The method of claim 7 or 8, wherein the field shaping arrangement (61) is formed by a plurality of field shaping elements (62) made of the magnetizable material.

10. The method of claim 9, wherein field shaping elements (62) are used which have equally large depths and wherein the depth of the field shaping arrangement (61) is varied by stacking different numbers of the field shaping elements (62) upon each other in the direction extending from the receiving side to the side opposite to the receiving side.
11. The method of one of claims 7 to 10, wherein variations of the depth of the field shaping arrangement (61) are compensated by at least one compensating element (72) made of non-magnetizable material.
12. The method of claim 11, wherein the variations of the depth are compensated so that the depth of a combined arrangement consisting of the field shaping arrangement (61) and of the at least one compensating element (72) is constant.

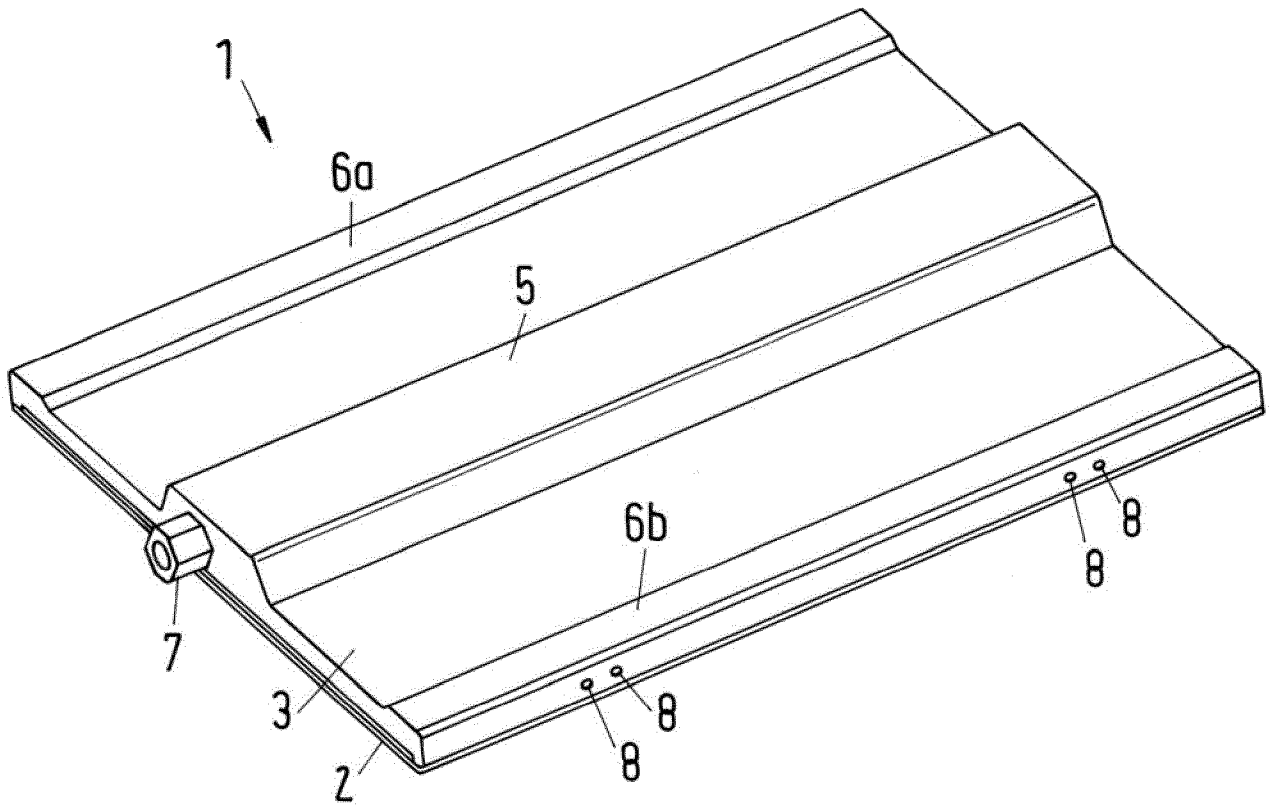


Fig.1

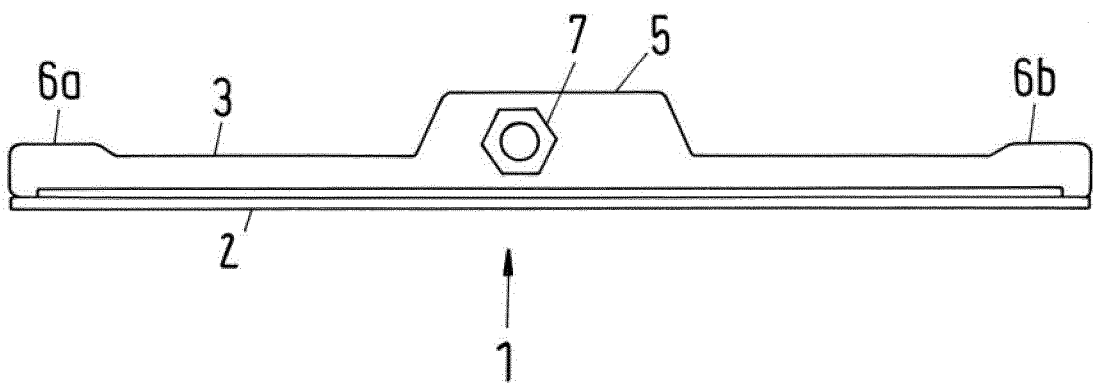


Fig.2

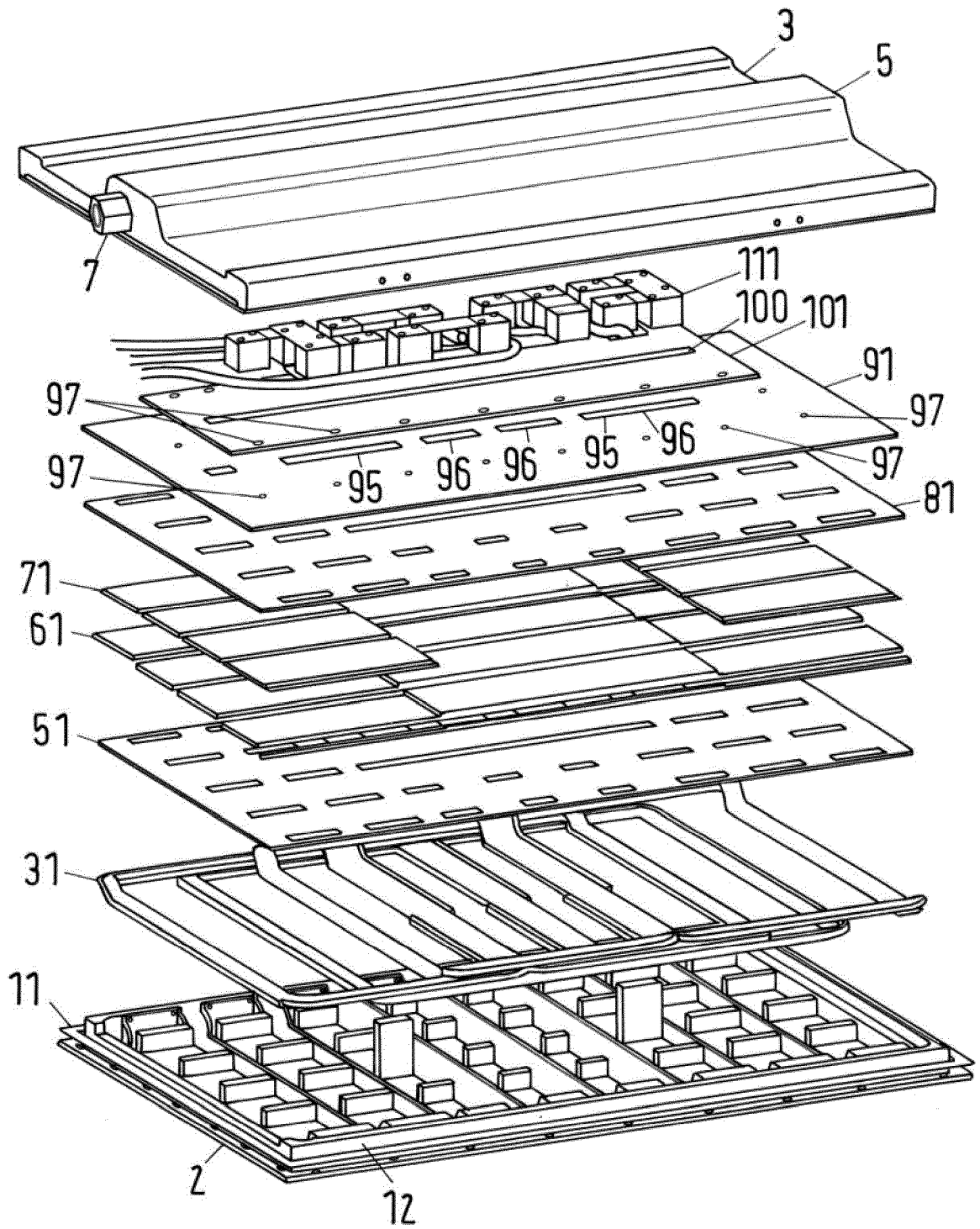


Fig.3

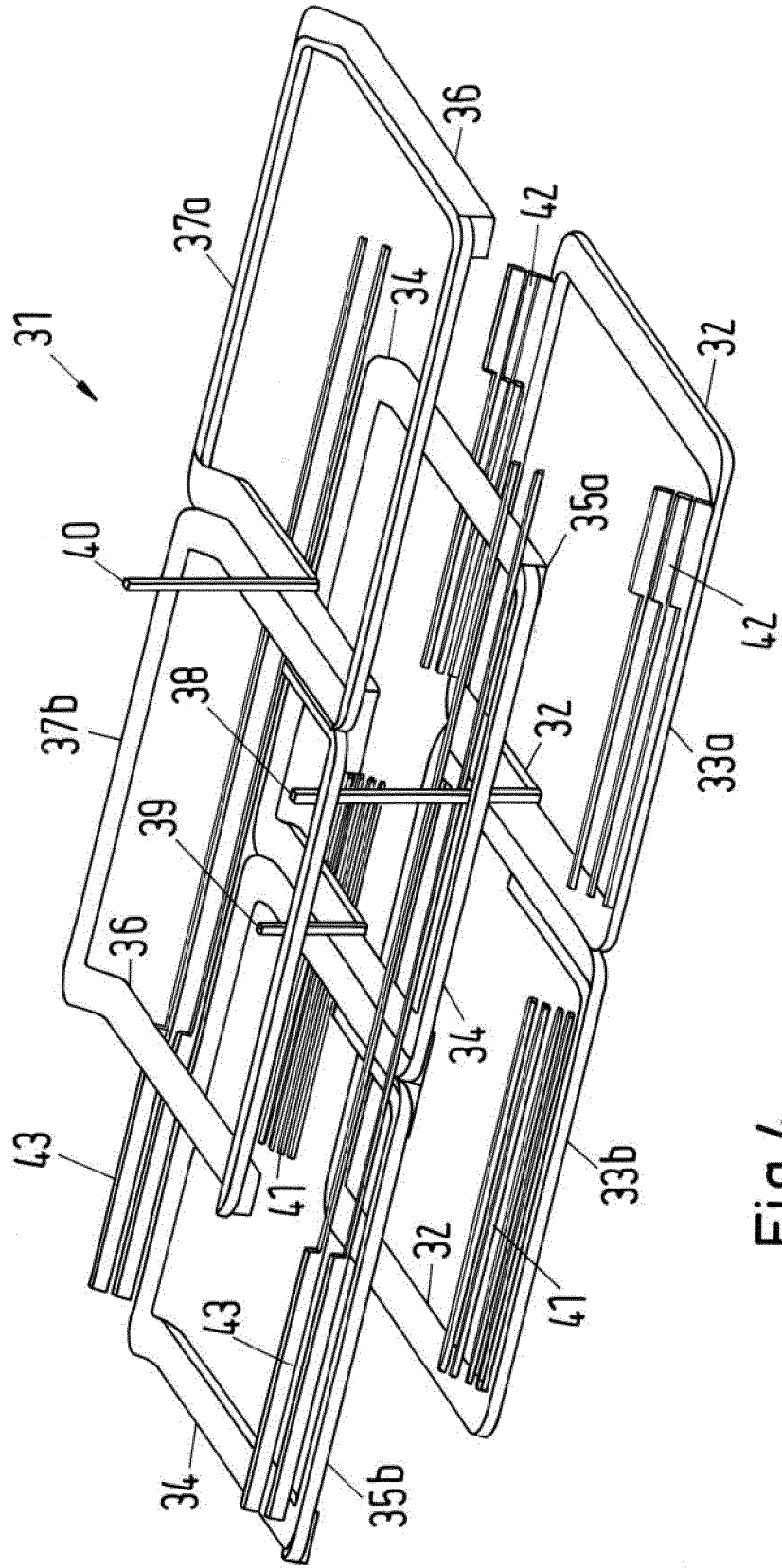


Fig.4

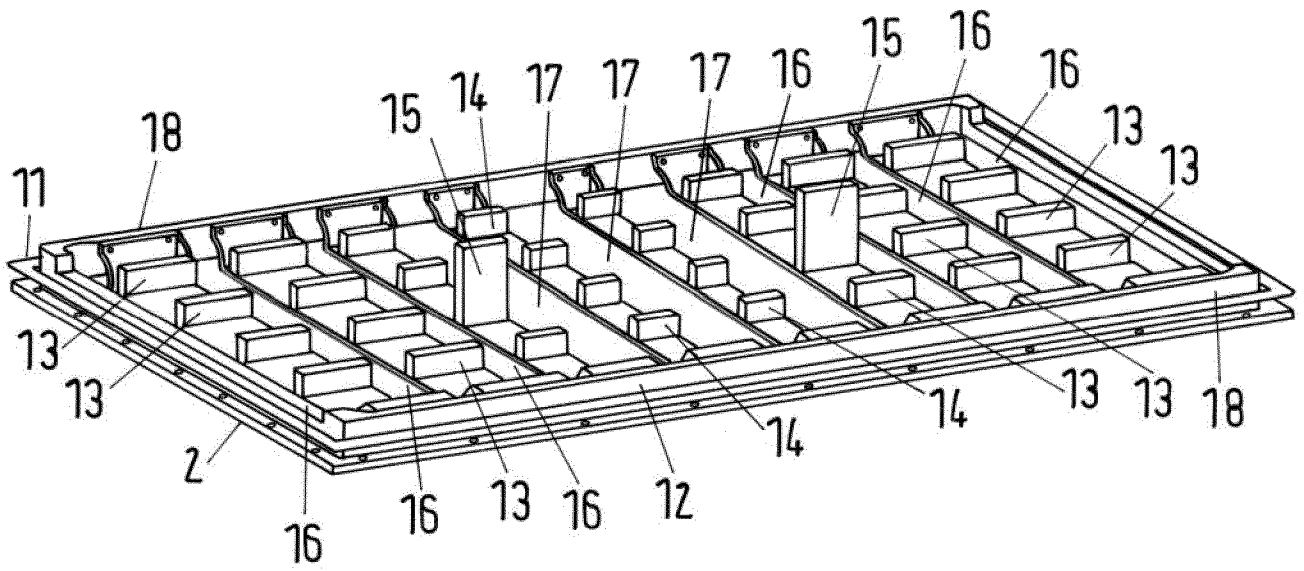


Fig.5

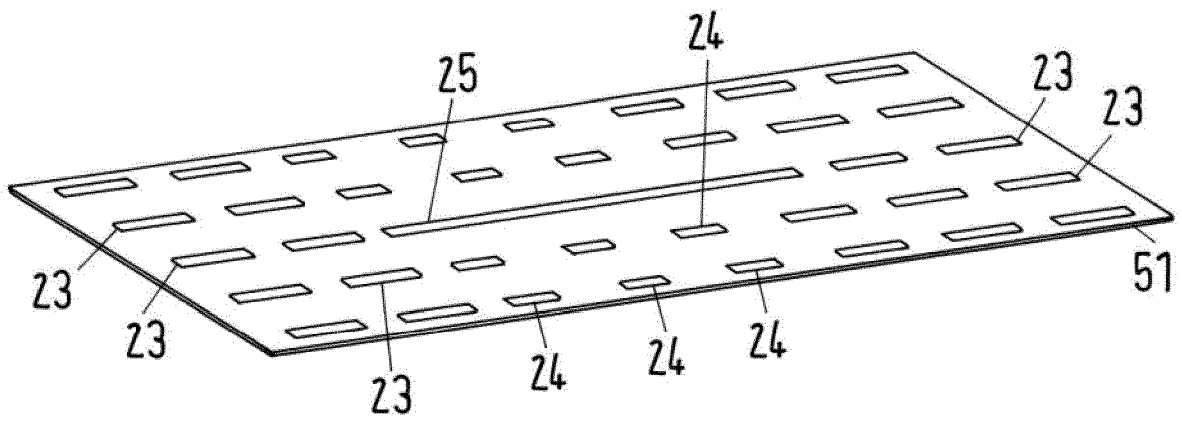
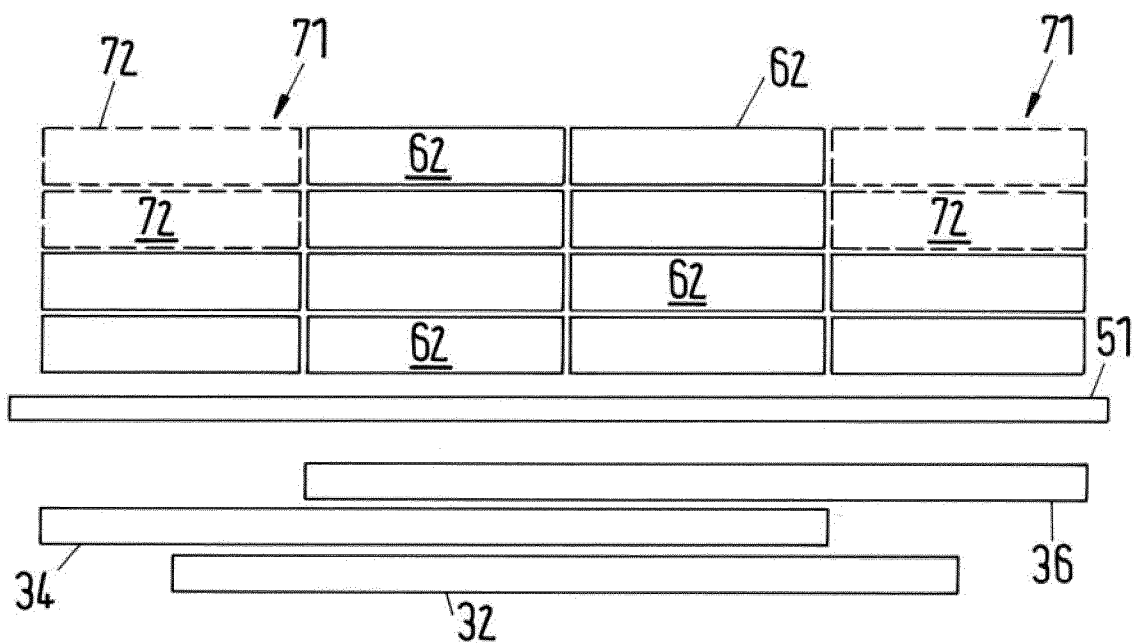
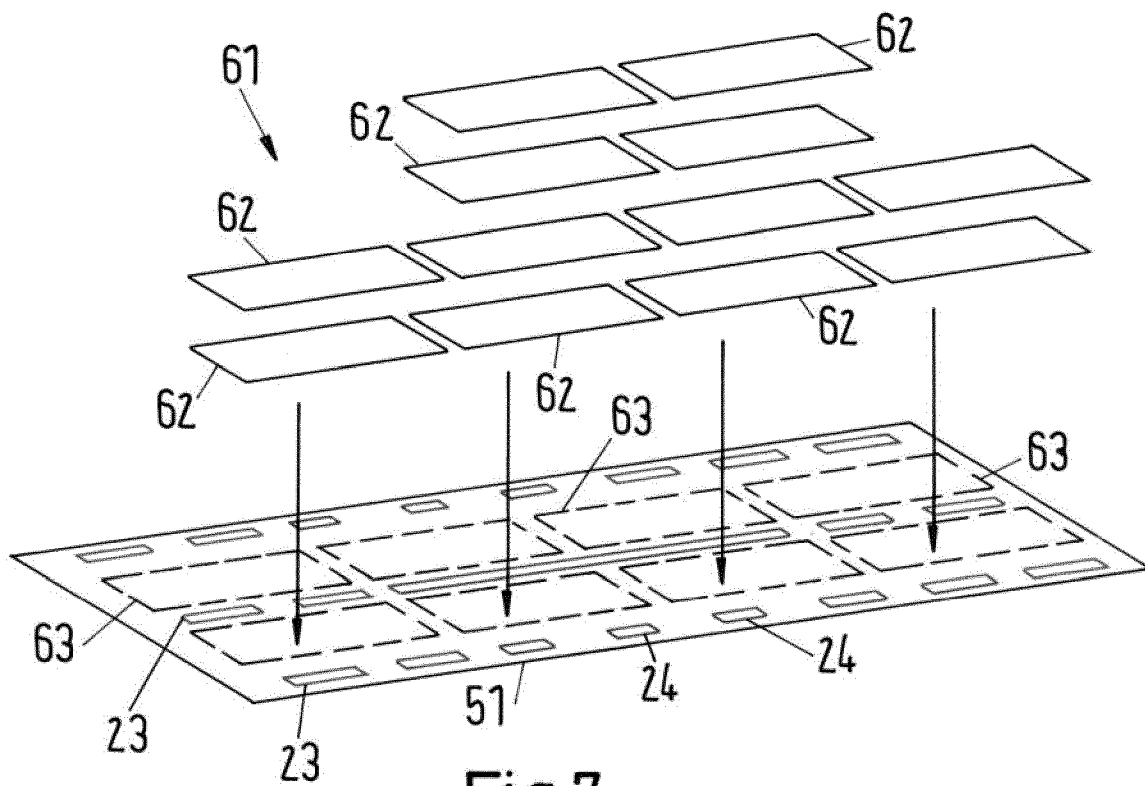


Fig.6



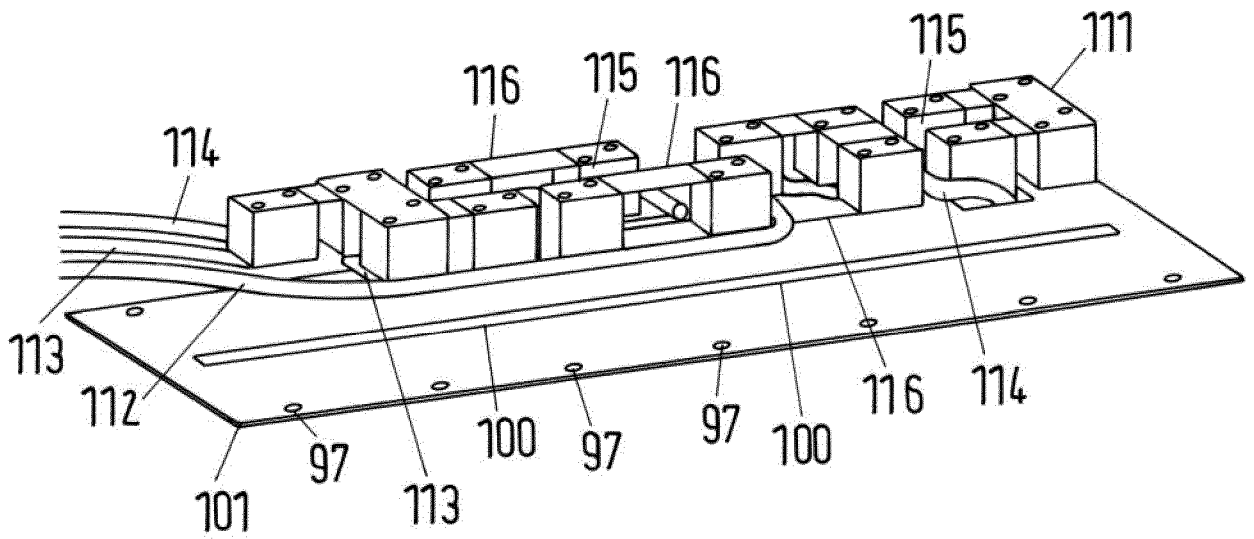


Fig.9

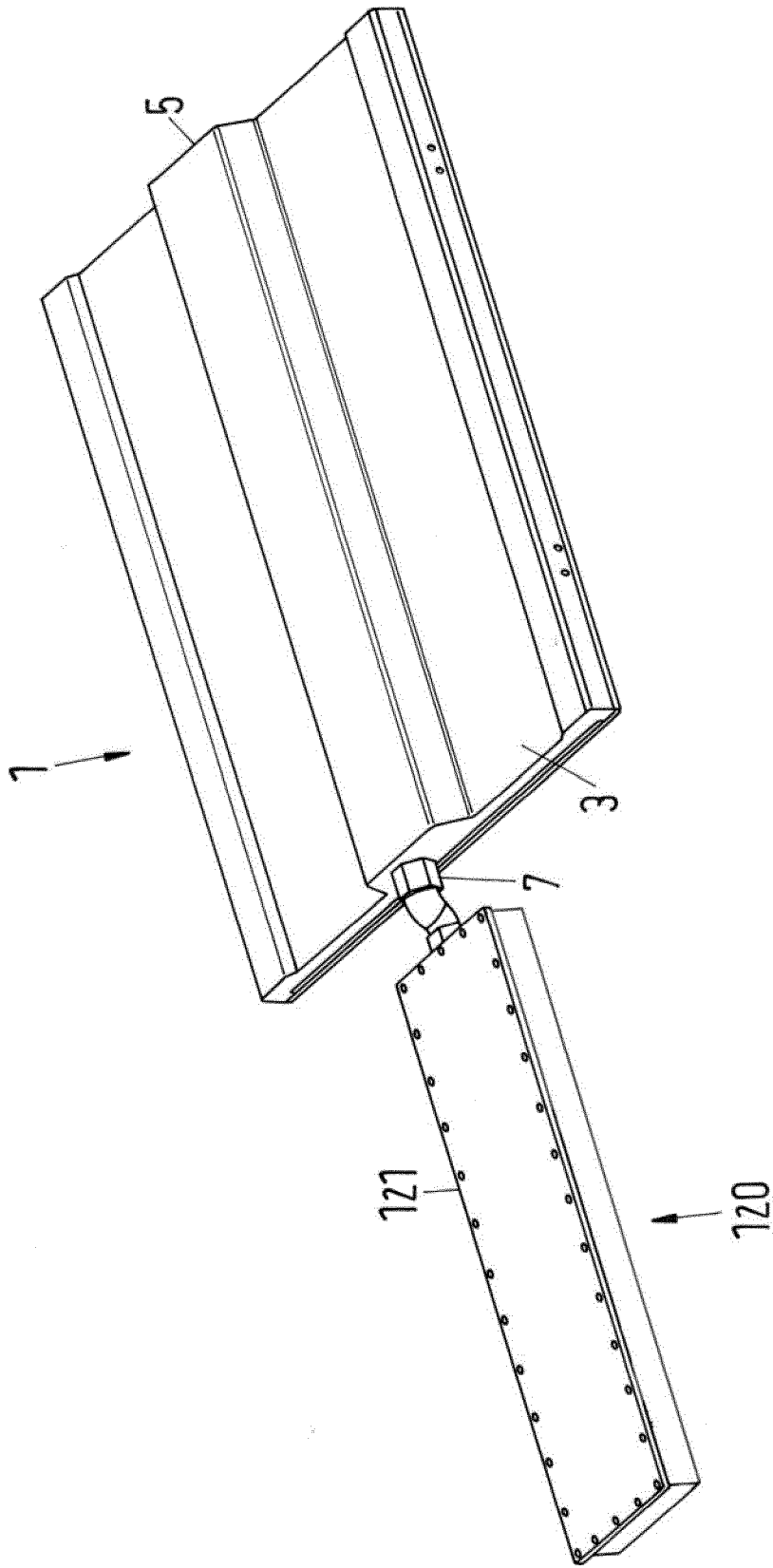


Fig.10

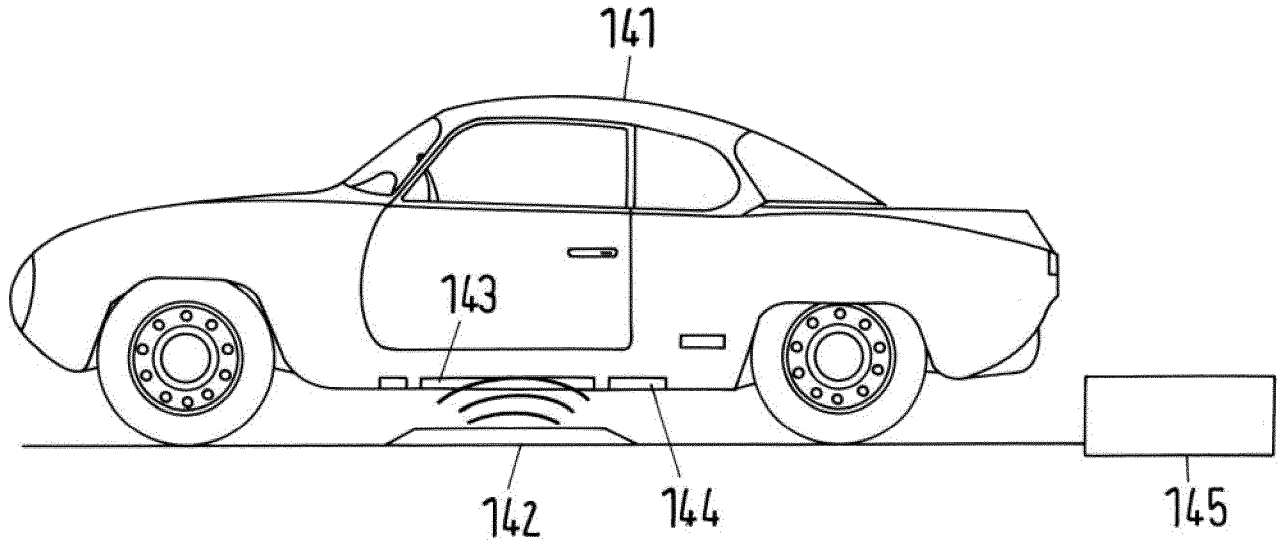
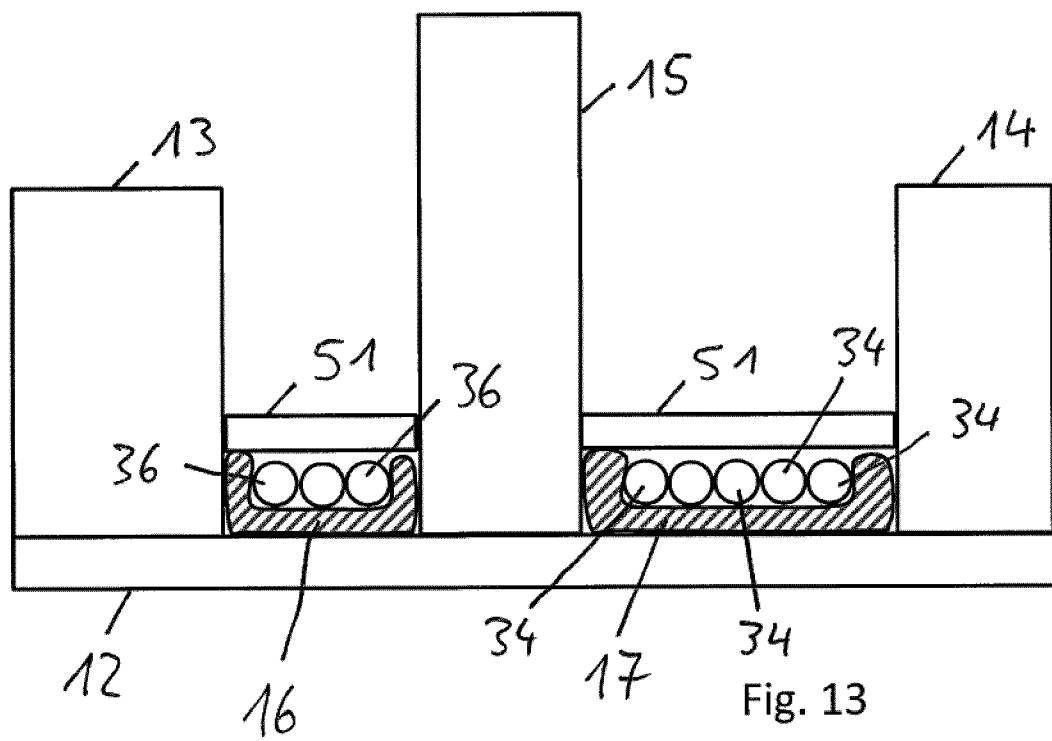
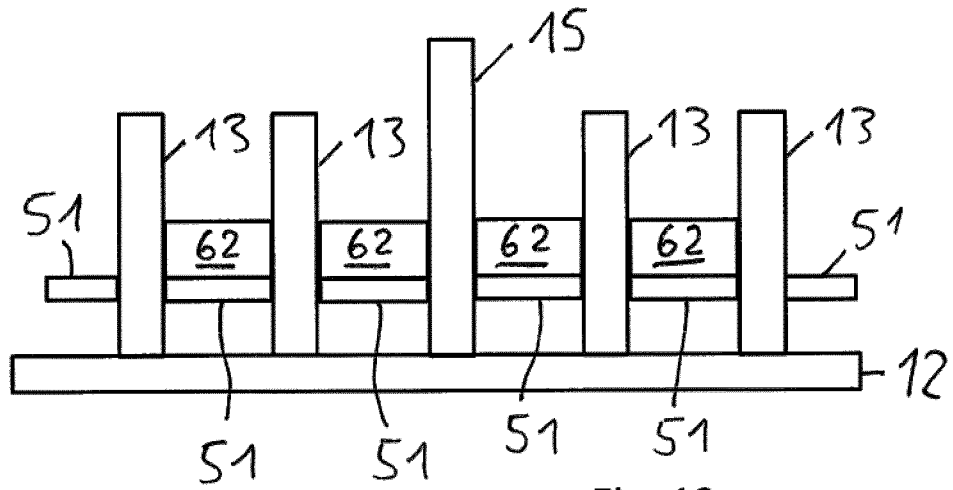


Fig.11



INTERNATIONAL SEARCH REPORT

International application No
PCT/EP2014/057094

A. CLASSIFICATION OF SUBJECT MATTER
INV. H01F38/14 H01F27/36
ADD.
According to International Patent Classification (IPC) or to both national classification and IPC

B. FIELDS SEARCHED
Minimum documentation searched (classification system followed by classification symbols)
H01F B60M H02J

Documentation searched other than minimum documentation to the extent that such documents are included in the fields searched

Electronic data base consulted during the international search (name of data base and, where practicable, search terms used)
EPO-Internal, WPI Data

C. DOCUMENTS CONSIDERED TO BE RELEVANT

Category*	Citation of document, with indication, where appropriate, of the relevant passages	Relevant to claim No.
X	US 2009/058358 A1 (INOUE TETSUO [JP] ET AL) 5 March 2009 (2009-03-05) paragraph [0073] - paragraph [0074] paragraph [0088]; figures 15,5-9 paragraph [0094] - paragraph [0095] -----	1-12
X	US 2010/097168 A1 (HAHN WOLFGANG [DE] ET AL) 22 April 2010 (2010-04-22) figure 2 paragraph [0042] paragraph [0043] -----	1,3,5-7, 9,11,12
X	US 2010/156344 A1 (INOUE TETSUO [JP] ET AL) 24 June 2010 (2010-06-24) abstract; figures 5,6,15 ----- -/--	1-12

Further documents are listed in the continuation of Box C.

See patent family annex.

* Special categories of cited documents :

"A" document defining the general state of the art which is not considered to be of particular relevance	"T" later document published after the international filing date or priority date and not in conflict with the application but cited to understand the principle or theory underlying the invention
"E" earlier application or patent but published on or after the international filing date	"X" document of particular relevance; the claimed invention cannot be considered novel or cannot be considered to involve an inventive step when the document is taken alone
"L" document which may throw doubts on priority claim(s) or which is cited to establish the publication date of another citation or other special reason (as specified)	"Y" document of particular relevance; the claimed invention cannot be considered to involve an inventive step when the document is combined with one or more other such documents, such combination being obvious to a person skilled in the art
"O" document referring to an oral disclosure, use, exhibition or other means	"&" document member of the same patent family
"P" document published prior to the international filing date but later than the priority date claimed	

Date of the actual completion of the international search 18 June 2014	Date of mailing of the international search report 27/06/2014
--	---

Name and mailing address of the ISA/ European Patent Office, P.B. 5818 Patentlaan 2 NL - 2280 HV Rijswijk Tel. (+31-70) 340-2040, Fax: (+31-70) 340-3016	Authorized officer Rouzier, Brice
--	---

INTERNATIONAL SEARCH REPORT

International application No
PCT/EP2014/057094

C(Continuation). DOCUMENTS CONSIDERED TO BE RELEVANT		
Category*	Citation of document, with indication, where appropriate, of the relevant passages	Relevant to claim No.
X	GB 2 492 825 A (BOMBARDIER TRANSP GMBH [DE]) 16 January 2013 (2013-01-16) page 11, line 4 - line 10 page 15, line 30 - page 16, line 4; figure 3	1,7
X	----- US 2011/241613 A1 (RYU YOUNG HO [KR] ET AL) 6 October 2011 (2011-10-06) paragraph [0067]; figure 4 paragraph [0070]	1,7
X	----- EP 2 172 952 A1 (PANASONIC ELEC WORKS CO LTD [JP] PANASONIC CORP [JP]) 7 April 2010 (2010-04-07) figure 15b paragraph [0034]; figures 15a,15b paragraph [0050]	1-9,11, 12
X	----- WO 2011/016737 A1 (AUCKLAND UNISERVICES LTD [NZ]; COVIC GRANT ANTHONY [NZ]; KISSIN MICHAEL) 10 February 2011 (2011-02-10) figure 3	1,3,7,9
X	----- WO 2012/105040 A1 (TOYOTA MOTOR CO LTD [JP]; NAKAMURA TORU [JP]; ICHIKAWA SHINJI [JP]) 9 August 2012 (2012-08-09) figure 9	1,3,7,9
A	----- GB 1 574 247 A (TDK ELECTRONICS CO LTD) 3 September 1980 (1980-09-03) figure 10	1,7
A	----- WO 2012/147341 A1 (TOSHIBA CORP) 1 November 2012 (2012-11-01) the whole document	1,7

INTERNATIONAL SEARCH REPORT

Information on patent family members

International application No

PCT/EP2014/057094

Patent document cited in search report	Publication date	Patent family member(s)	Publication date	
US 2009058358	A1	05-03-2009	JP 5231998 B2	10-07-2013
			JP 2012084894 A	26-04-2012
			KR 20080110860 A	19-12-2008
			TW 200818220 A	16-04-2008
			US 2009058358 A1	05-03-2009
			WO 2007122788 A1	01-11-2007
US 2010097168	A1	22-04-2010	CN 101511630 A	19-08-2009
			DE 102006048831 A1	17-04-2008
			EP 2081792 A1	29-07-2009
			US 2010097168 A1	22-04-2010
			WO 2008043327 A1	17-04-2008
US 2010156344	A1	24-06-2010	JP 2012169633 A	06-09-2012
			US 2010156344 A1	24-06-2010
			WO 2007080820 A1	19-07-2007
GB 2492825	A	16-01-2013	CA 2839528 A1	17-01-2013
			CN 103687745 A	26-03-2014
			EP 2731819 A2	21-05-2014
			GB 2492825 A	16-01-2013
			KR 20140062038 A	22-05-2014
			WO 2013007825 A2	17-01-2013
US 2011241613	A1	06-10-2011	KR 20110109703 A	06-10-2011
			US 2011241613 A1	06-10-2011
EP 2172952	A1	07-04-2010	CA 2692247 A1	24-12-2008
			CN 101681719 A	24-03-2010
			EP 2172952 A1	07-04-2010
			JP 5118394 B2	16-01-2013
			JP 2009005475 A	08-01-2009
			US 2010181842 A1	22-07-2010
WO 2011016737	A1	10-02-2011	CN 102577011 A	11-07-2012
			CN 102625750 A	01-08-2012
			EP 2462001 A2	13-06-2012
			EP 2462679 A1	13-06-2012
			JP 2013501665 A	17-01-2013
			JP 2013502193 A	17-01-2013
			KR 20120055628 A	31-05-2012
			KR 20120061085 A	12-06-2012
			US 2012217111 A1	30-08-2012
			US 2012248892 A1	04-10-2012
			WO 2011016736 A2	10-02-2011
			WO 2011016737 A1	10-02-2011
WO 2012105040	A1	09-08-2012	CN 103347730 A	09-10-2013
			EP 2671749 A1	11-12-2013
			US 2013300359 A1	14-11-2013
			WO 2012105040 A1	09-08-2012
GB 1574247	A	03-09-1980	DE 2715823 A1	13-10-1977
			GB 1574247 A	03-09-1980
			US 4118704 A	03-10-1978
WO 2012147341	A1	01-11-2012	CN 103493158 A	01-01-2014
			KR 20140003636 A	09-01-2014

INTERNATIONAL SEARCH REPORT

Information on patent family members

International application No

PCT/EP2014/057094

Patent document cited in search report	Publication date	Patent family member(s)	Publication date
		US 2014049212 A1	20-02-2014
		WO 2012147341 A1	01-11-2012