



US00D773477S

(12) **United States Design Patent**
Shim

(10) **Patent No.:** **US D773,477 S**

(45) **Date of Patent:** **** Dec. 6, 2016**

- (54) **USB (UNIVERSAL SERIAL BUS)**
- (71) Applicant: **SAMSUNG ELECTRONICS CO., LTD.**, Suwon-si (KR)
- (72) Inventor: **Hyung-Sup Shim**, Seoul (KR)
- (73) Assignee: **SAMSUNG ELECTRONICS CO., LTD.**, Suwon-Si (KR)

D556,752 S *	12/2007	Otsuka	D14/480.5
D569,375 S *	5/2008	Yu	D14/385
D610,156 S *	2/2010	Mudrick	D14/480.5
D682,841 S *	5/2013	Suetake	D14/480.1
D711,389 S *	8/2014	Sun	D14/480.5
D735,178 S *	7/2015	Yoon	D14/240
D736,702 S *	8/2015	Ovadia	D13/108
D741,865 S *	10/2015	Sundermeyer	D14/433
D754,142 S *	4/2016	Shih-Huang	D14/480.7
D759,021 S *	6/2016	Shim	D14/435.1
D759,030 S *	6/2016	Kim	D14/480.1

(**) Term: **15 Years**

* cited by examiner

(21) Appl. No.: **29/536,203**

Primary Examiner — Angela J Lee

(22) Filed: **Aug. 14, 2015**

(74) *Attorney, Agent, or Firm* — Sughrue Mion, PLLC

(30) **Foreign Application Priority Data**

Mar. 10, 2015 (KR) 30-2015-0012019

(51) **LOC (10) Cl.** **14-03**

(52) **U.S. Cl.**
USPC **D14/480.5**

(58) **Field of Classification Search**
USPC D14/435.1, 480.1–480.7, 411, 433,
436, D14/484.1, 137, 155, 203.1–203.8,
240, 242; D13/133, 154
CPC H05K 5/0278; G06K 19/07732
See application file for complete search history.

(56) **References Cited**

U.S. PATENT DOCUMENTS

D542,787 S *	5/2007	Siu	D14/480.5
D542,788 S *	5/2007	Gutmann	D14/480.5

(57) **CLAIM**

I claim the ornamental design for a USB (universal serial bus), as shown and described.

DESCRIPTION

FIG. 1 is a front perspective view of USB (universal serial bus) showing my new design;
FIG. 2 is a front view thereof;
FIG. 3 is a rear view thereof;
FIG. 4 is a left-side view thereof;
FIG. 5 is a right-side view thereof;
FIG. 6 is a top plan view thereof;
FIG. 7 is a bottom plan view thereof; and,
FIG. 8 is a rear perspective view showing the USB (universal serial bus) in an open position.
The broken lines are for environmental purposes only and form no part of the claimed design.

1 Claim, 6 Drawing Sheets

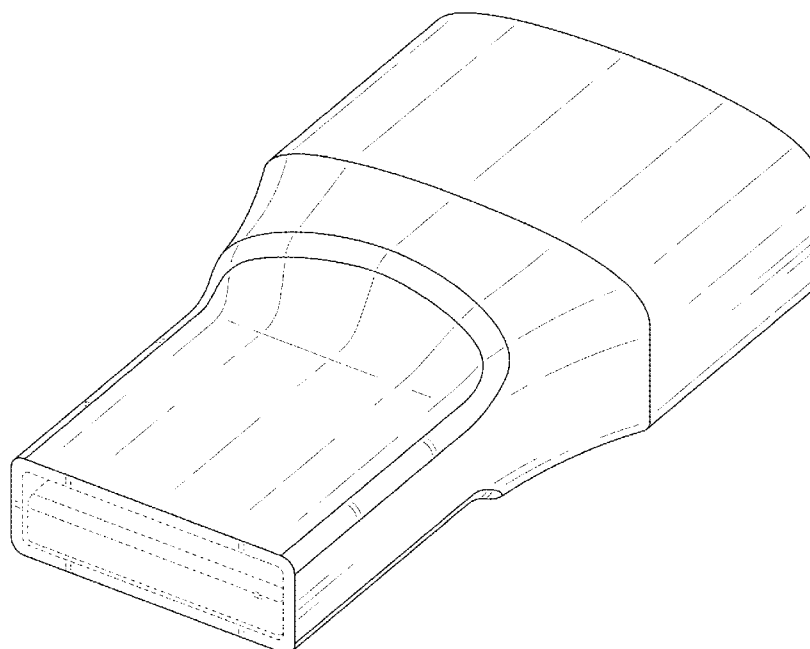


FIG. 1

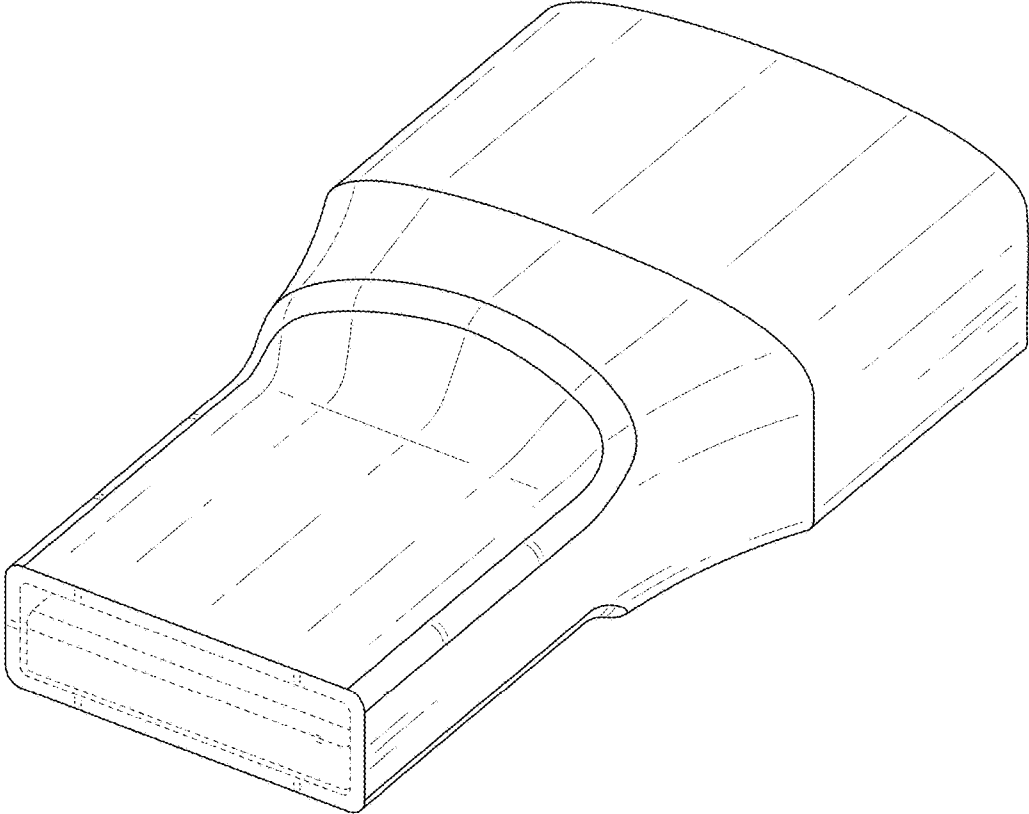


FIG. 2

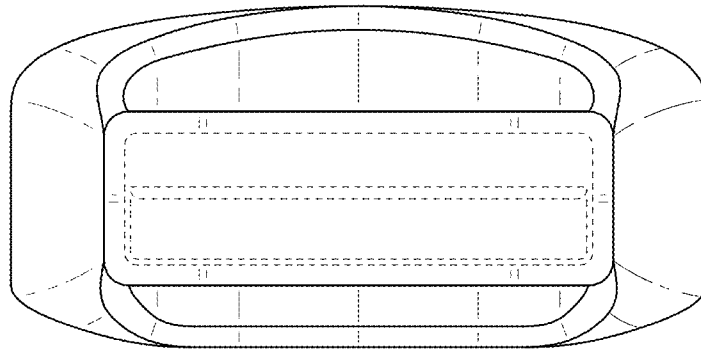


FIG. 3

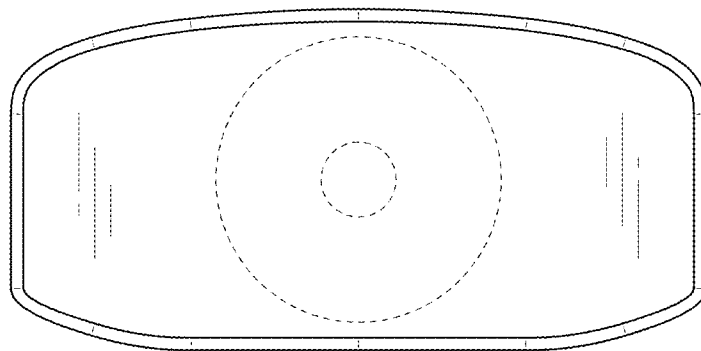


FIG. 4

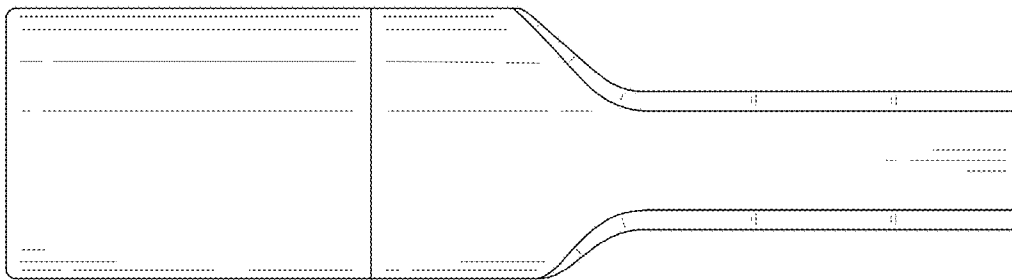


FIG. 5

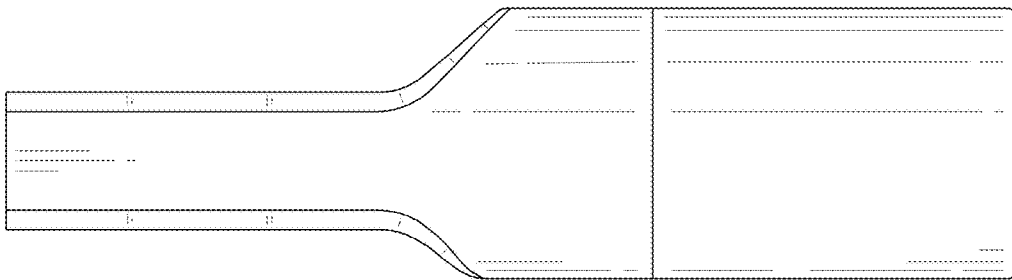


FIG. 6

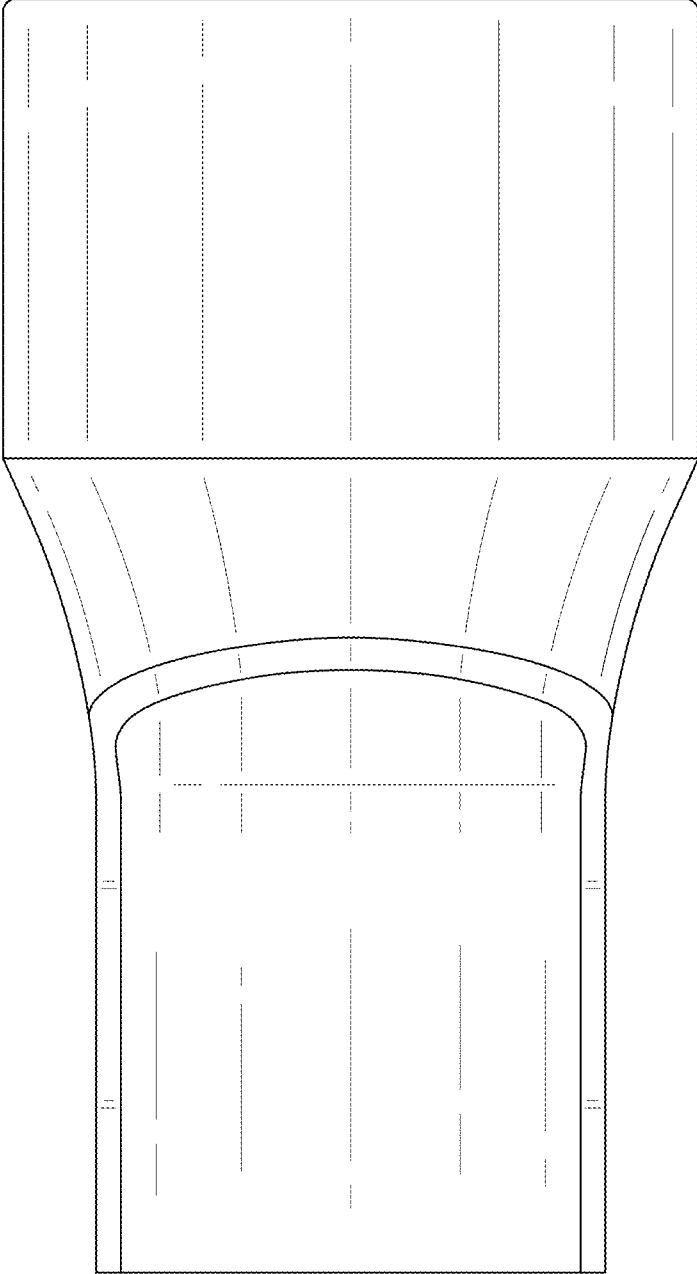


FIG. 7

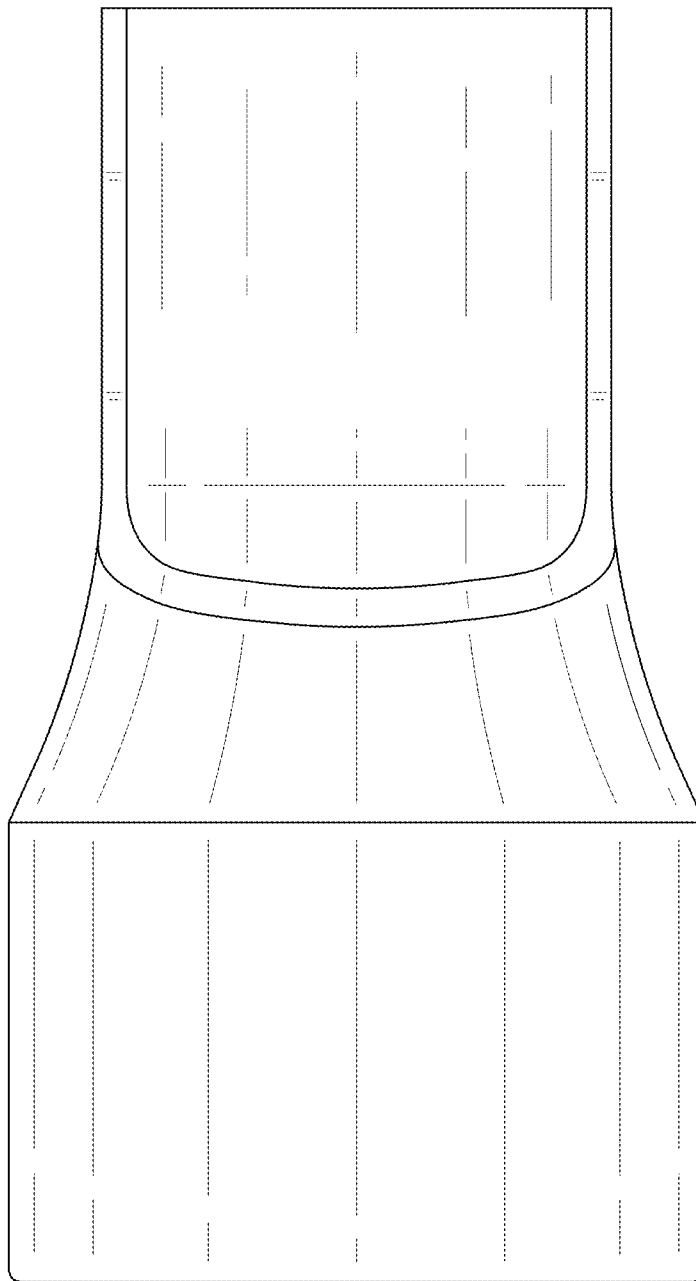


FIG. 8

