

Feb. 10, 1925.

1,526,132

M. C. GILGER

THERAPEUTIC CHAIR

Filed Dec. 18, 1922

2 Sheets-Sheet 1

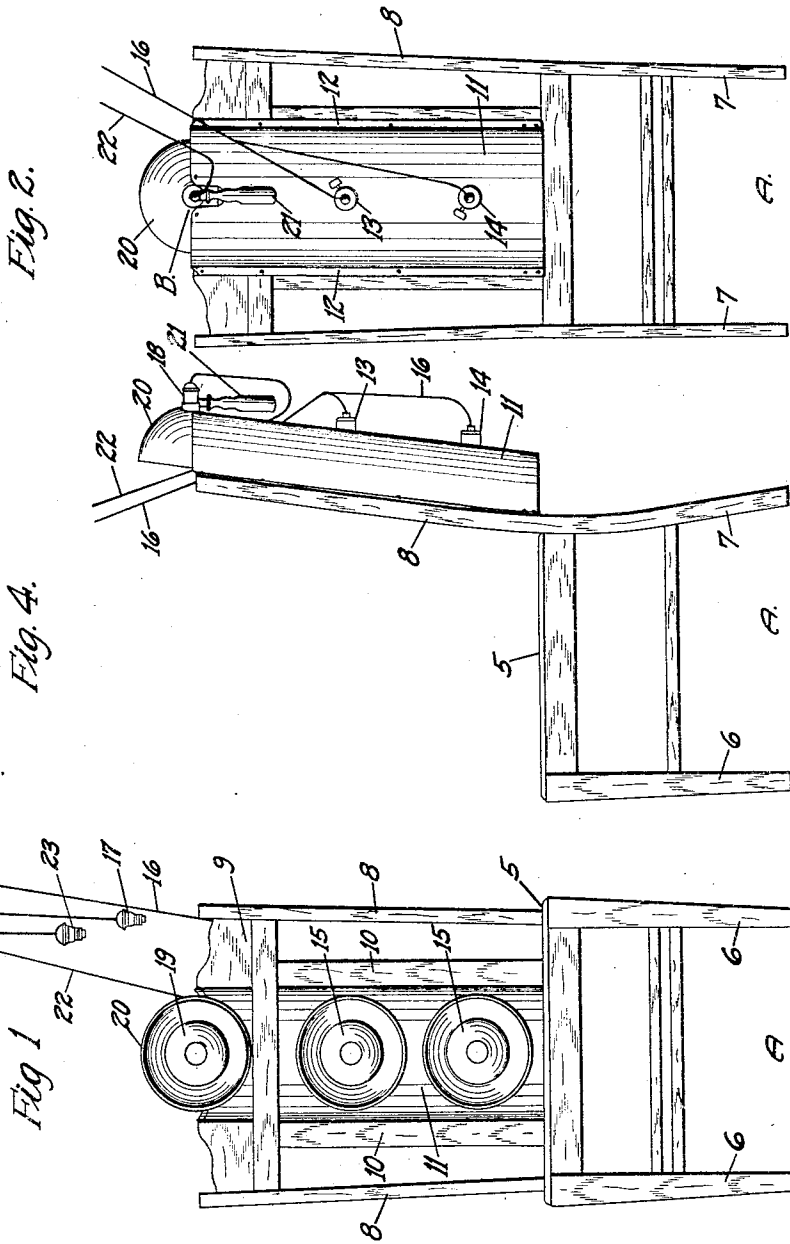


Fig. 2.

Fig. 4.

Fig. 1.

INVENTOR.  
MARY C. GILGER  
BY  
Frank O. Parker  
ATTORNEYS.

Feb. 10, 1925.

1,526,132

M. C. GILGER

THERAPEUTIC CHAIR

Filed Dec. 18, 1922

2 Sheets-Sheet 2

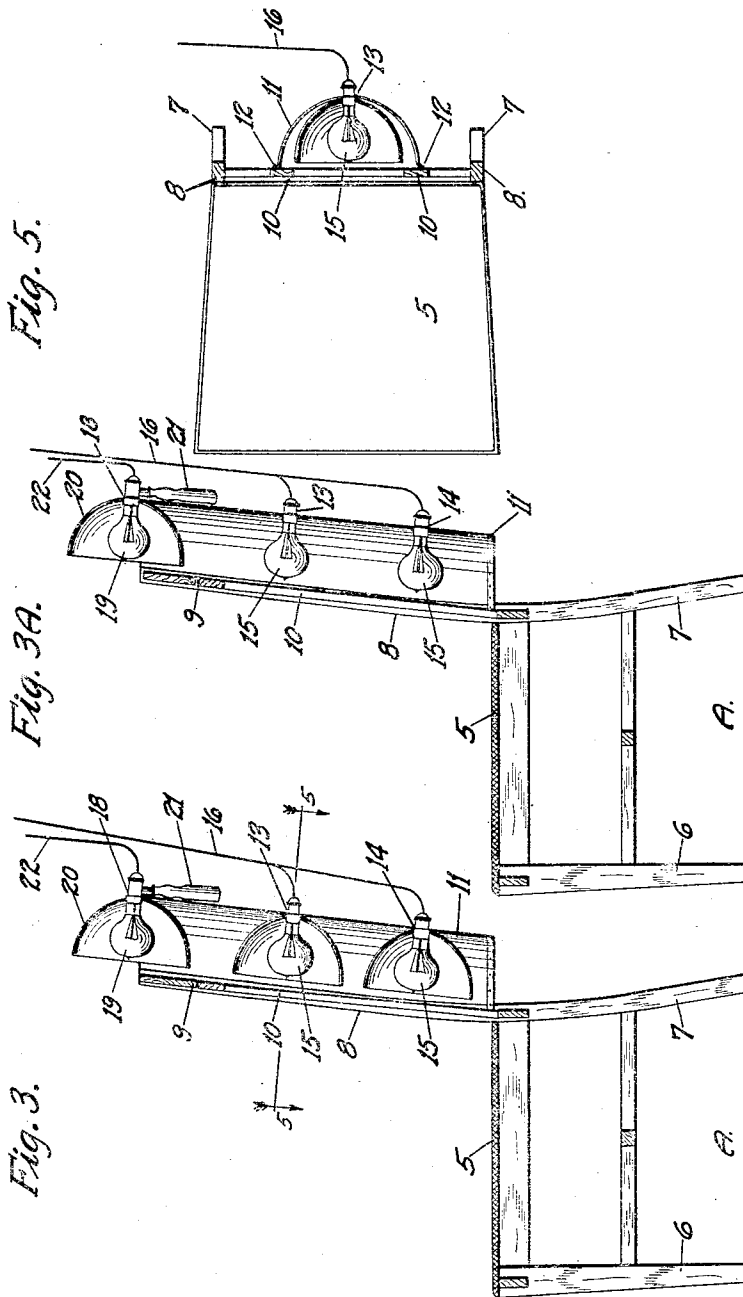


Fig. 5.

Fig. 3A.

Fig. 3.

INVENTOR.

MARY C. GILGER

BY *Paul O. Parker*  
ATTORNEYS.

# UNITED STATES PATENT OFFICE.

MARY C. GILGER, OF GREEN BAY, WISCONSIN.

THERAPEUTIC CHAIR.

Application filed December 18, 1922. Serial No. 607,642.

*To all whom it may concern:*

Be it known that I, MARY C. GILGER, a citizen of the United States, residing at Green Bay, in the county of Brown and State of Wisconsin, have invented certain new and useful Improvements in Therapeutic Chairs, of which the following is a specification.

The invention relates to a therapeutic device, and more particularly to the class of electric therapeutic chairs.

The primary object of the invention is the provision of a chair of this character, wherein the patient to be treated can be conveniently seated therein, so that the spinal area of the anatomy can be subjected to the proper temperature, while in circuit with the heating elements at the back of the chair is a cord lamp or heating element that can be manually moved to any desirable point about the body of the patient for the treatment of different portions of the body, as the operator may require.

Another object of the invention is the provision of a device of this character, wherein the construction of the chair is novel in form and the heating elements are arranged in a unique manner, so as to enable the best results to be attained in the use of the chair, the shiftable heating element or lamp being in convenient reach of the operator, and can be readily and easily shifted to any desirable point of the body of the patient to be treated.

A further object of the invention is the provision of a device of this character, which is extremely simple in construction, reliable and efficient in its purpose, strong, durable, convenient for the patient and operator, and inexpensive to manufacture.

With these and other objects in view the invention consists in the features of construction, combination and arrangement of parts as will be hereinafter fully described, illustrated in the accompanying drawings, and pointed out in the claim hereunto appended.

In the accompanying drawings:

Figure 1, is a front elevational view of the chair constructed in accordance with the invention.

Figure 2, is a rear elevation.

Figure 3, is a vertical longitudinal sectional elevation, taken centrally of the chair.

Figure 4, is a side elevation of the chair.

Figure 5, is a sectional view on the line 5-5 of Figure 3.

Figure 3<sup>A</sup>, is a view similar to Figure 3, showing several of the shades removed.

Similar reference characters indicate corresponding parts throughout the several views in the drawings.

Referring to the drawings in detail A, designates generally a straight back chair of the conventional form, having a seat 5, supported by front and rear legs 6, and 7, the back 8, being a continuation of the rear legs 7, and this back is formed with an upper cross piece 9, to which are connected spaced inner upright slats 10, the latter being also connected with the seat frame, as is clearly shown in Figures 1 to 3, inclusive.

Secured in these inner upright slats 10, is an outwardly curved or arched shield 11, preferably made from metal, although the same may be made from any other sheet material, said sheet at its longer edges being formed with lateral flanges 12, through which suitable fasteners are passed to secure the shield to the slats 10.

Mounted in the vertical center of the shield 11, are upper and lower lamp sockets 13 and 14, respectively, in which are screwed electric lamps 15, of the required voltage and current capacity, while connected to the sockets are the usual electric current wires 16, to be connected to an electric circuit through the medium of a detachable plug 17, of the ordinary type.

Formed in the upper curved edge of the shield 11, centrally thereof is a notch or recess forming a seat B, for a hand lamp socket 18, for the attachment of special therapeutic electric bulb 19, and shade 20, the socket being provided with a suitable handle 21, to permit the carrying of the lamp in the hand of the operator, so that said lamp may be removed from its seat B, and placed at any point on the body of the patient when seated in the chair A, the socket 18, being connected with a separate electric cord 22, and plug 23, carried thereby rather than by the wire 16, heretofore described. Therefore it will be readily seen that the lamp 19, can be shifted to the position required by an operator, as said lamp is manually used for the treatment of any portion of the body of a patient.

From the foregoing it is thought that the construction and manner of operation of the

chair will be clearly understood, and therefore a more extended explanation has been omitted.

What is claimed is:

5 A device of the character described, comprising a chair having an open back, a rearwardly arched shield covering the open back,

permanent lamp sockets fitted in the shield and having electric cords and a plug common to the same, said shield being formed with a notch at its upper end adapted to receive a hand therapeutic lamp therein. 10

In testimony whereof I affix my signature.

MARY C. GILGER.