

(19) World Intellectual Property Organization
International Bureau



(43) International Publication Date
8 April 2004 (08.04.2004)

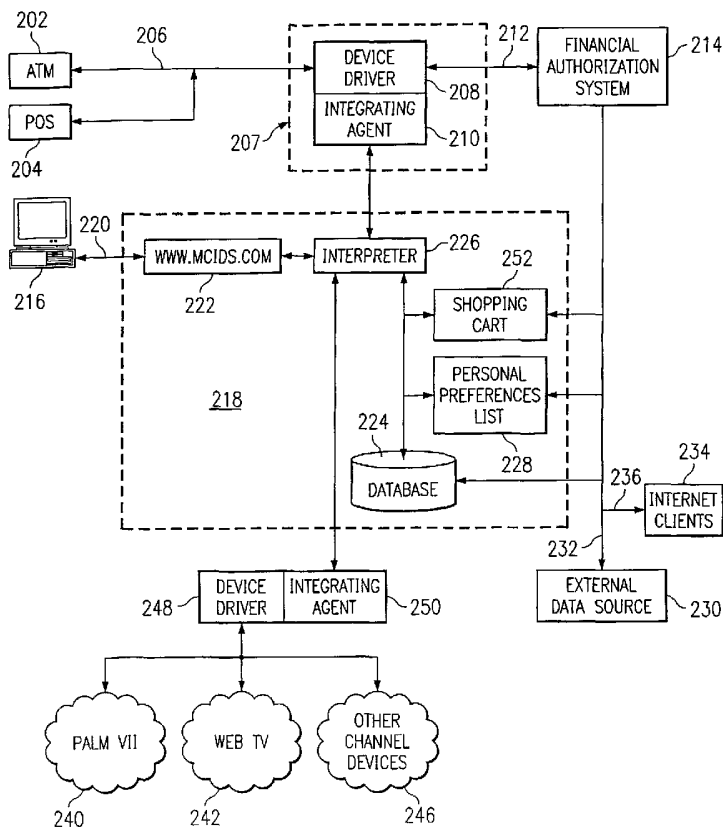
PCT

(10) International Publication Number
WO 2004/029762 A3

- (51) International Patent Classification⁷: **G06F 15/16**, H04M 3/42, G09G 5/00
- (72) Inventors: **KIRSCHNER, Hope, L.**; 167 Prospect Street, Framingham, MA 01701 (US). **GREGOIRE, Kevin, P.**; 69 Hampshire Drive, Mendham, NJ 07945 (US).
- (21) International Application Number: PCT/US2003/030306
- (74) Agent: **LINEBERRY, Allen, Scott**; EDS, 5400 Legacy Drive, H3-3A-05, Plano, TX 75024 (US).
- (22) International Filing Date: 24 September 2003 (24.09.2003)
- (81) Designated States (*national*): AE, AG, AL, AM, AT, AU, AZ, BA, BB, BG, BR, BY, BZ, CA, CH, CN, CO, CR, CU, CZ, DE, DK, DM, DZ, EC, EE, ES, FI, GB, GD, GE, GH, GM, HR, HU, ID, IL, IN, IS, JP, KE, KG, KP, KR, KZ, LC, LK, LR, LS, LT, LU, LV, MA, MD, MG, MK, MN, MW, MX, MZ, NI, NO, NZ, OM, PG, PH, PL, PT, RO, RU, SC, SD, SE, SG, SK, SL, SY, TJ, TM, TN, TR, TT, TZ, UA, UG, UZ, VC, VN, YU, ZA, ZM, ZW.
- (25) Filing Language: English
- (26) Publication Language: English
- (30) Priority Data: 10/256,285 26 September 2002 (26.09.2002) US
- (84) Designated States (*regional*): ARIPO patent (GH, GM, KE, LS, MW, MZ, SD, SL, SZ, TZ, UG, ZM, ZW), Eurasian patent (AM, AZ, BY, KG, KZ, MD, RU, TJ, TM), European patent (AT, BE, BG, CH, CY, CZ, DE, DK, EE, ES, FI, FR, GB, GR, HU, IE, IT, LU, MC, NL, PT, RO,
- (71) Applicant: **ELECTRONIC DATA SYSTEMS CORPORATION** [US/US]; 5400 Legacy Drive, H3-3A-05, Plano, TX 75024 (US).

[Continued on next page]

(54) Title: SYSTEM AND METHOD FOR PROVIDING ENHANCED SERVICES IN A MULTI-CHANNEL INTERACTIVE DISTRIBUTED ENVIRONMENT



(57) Abstract: A system for providing enhanced services in a multi-channel interactive distributed environment includes at least one automated teller machine (202) and at least one computer (216). A server (218) is coupled to the automated teller machine (202) and the computer (216). The server (218) is operable to provide information tailored to a user based on a stored user profile (228). This tailored information is provided to the user when the user is accessing the server (218) via either the computer (216) or the automated teller machine (202).

WO 2004/029762 A3



SE, SI, SK, TR), OAPI patent (BF, BJ, CF, CG, CI, CM, GA, GN, GQ, GW, ML, MR, NE, SN, TD, TG).

— *before the expiration of the time limit for amending the claims and to be republished in the event of receipt of amendments*

Declarations under Rule 4.17:

- *as to applicant's entitlement to apply for and be granted a patent (Rule 4.17(ii)) for all designations*
- *as to the applicant's entitlement to claim the priority of the earlier application (Rule 4.17(iii)) for all designations*

(88) Date of publication of the international search report:

2 December 2004

Published:

- *with international search report*

For two-letter codes and other abbreviations, refer to the "Guidance Notes on Codes and Abbreviations" appearing at the beginning of each regular issue of the PCT Gazette.

INTERNATIONAL SEARCH REPORT

International application No.

PCT/US03/30306

A. CLASSIFICATION OF SUBJECT MATTER

IPC(7) : G06F 15/16; H04M 3/42; G09G 5/00

US CL : 709/203; 705/14; 455/414; 345/745

According to International Patent Classification (IPC) or to both national classification and IPC

B. FIELDS SEARCHED

Minimum documentation searched (classification system followed by classification symbols)

U.S. : 709/203; 705/14; 455/414; 345/745

Documentation searched other than minimum documentation to the extent that such documents are included in the fields searched

Electronic data base consulted during the international search (name of data base and, where practicable, search terms used)
Please See Continuation Sheet

C. DOCUMENTS CONSIDERED TO BE RELEVANT

Category *	Citation of document, with indication, where appropriate, of the relevant passages	Relevant to claim No.
Y, P	US 6,516,338 B1 (LANDSMAN et al) 04 February 2003, see whole document.	1-25
Y, P	US 2002/0184089 A1 (TSOU et al) 05 December 2002, see whole document.	1-25
Y, P	US 2003/0087632 A1 (SAGI et al) 08 May 2003, see whole document.	1-25
Y, E	US 2004/0141003 A1 (NIVERS et al) 22 July 2004, see whole document.	1-25

Further documents are listed in the continuation of Box C.

See patent family annex.

* Special categories of cited documents:	"T"	later document published after the international filing date or priority date and not in conflict with the application but cited to understand the principle or theory underlying the invention
"A" document defining the general state of the art which is not considered to be of particular relevance	"X"	document of particular relevance; the claimed invention cannot be considered novel or cannot be considered to involve an inventive step when the document is taken alone
"E" earlier application or patent published on or after the international filing date	"Y"	document of particular relevance; the claimed invention cannot be considered to involve an inventive step when the document is combined with one or more other such documents, such combination being obvious to a person skilled in the art
"L" document which may throw doubts on priority claim(s) or which is cited to establish the publication date of another citation or other special reason (as specified)	"&"	document member of the same patent family
"O" document referring to an oral disclosure, use, exhibition or other means		
"P" document published prior to the international filing date but later than the priority date claimed		

Date of the actual completion of the international search

Date of mailing of the international search report

30 September 2004 (30.09.2004)

13 OCT 2004

Name and mailing address of the ISA/US

Mail Stop PCT, Attn: ISA/US
Commissioner for Patents
P.O. Box 1450
Alexandria, Virginia 22313-1450

Authorized officer

Ayaz R. Sheikh
Ayaz R. Sheikh

Facsimile No. (703)305-3230

Telephone No. 703-305-9600

INTERNATIONAL SEARCH REPORT

PCT/US03/30368

Continuation of B. FIELDS SEARCHED Item 3:

East, Derwent, USPG-Pub, JPO, EPO search terms:

client, server, proxy, gateway, user, client, subscriber profile, retrieve, access, provide information, document.