



(12) **EUROPEAN PATENT APPLICATION**

(88) Date of publication A3:  
**28.05.2003 Bulletin 2003/22**

(51) Int Cl.7: **A47C 7/02, A47C 7/14,  
 A47C 1/023**

(43) Date of publication A2:  
**03.04.2002 Bulletin 2002/14**

(21) Application number: **01308204.5**

(22) Date of filing: **26.09.2001**

(84) Designated Contracting States:  
**AT BE CH CY DE DK ES FI FR GB GR IE IT LI LU  
 MC NL PT SE TR**  
 Designated Extension States:  
**AL LT LV MK RO SI**

(72) Inventors:  
 • **Prince, Jonathan William  
 Brooklyn, Wellington (NZ)**  
 • **Pennington, Mark Rundle  
 Ohariu Valley, Wellington (NZ)**

(30) Priority: **28.09.2000 US 236916 P**

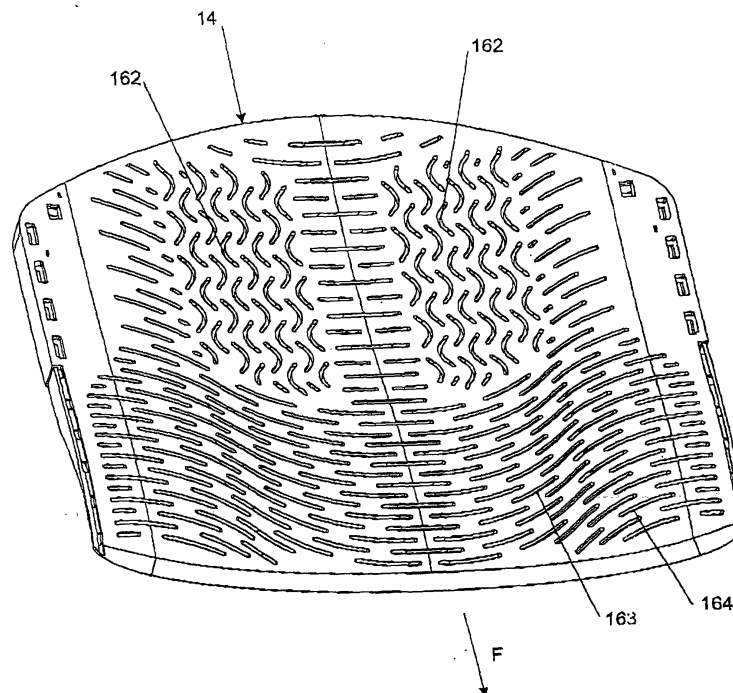
(74) Representative: **Kensett, John Hinton  
 Saunders & Dolleymore,  
 9 Rickmansworth Road  
 Watford, Hertfordshire WD18 0JU (GB)**

(71) Applicant: **Formway Furniture Limited  
 Petone, Wellington (NZ)**

(54) **Seat for a reclining office chair**

(57) A seat portion (14) for a seat (10) wherein the seat portion (14) comprises a panel comprising a rear portion to support the occupant. The rear portion has a longitudinal centerline and incorporates two zones (162) either side of the longitudinal centerline. Each of the

zones comprises a first pattern of weakeners arranged in a series of spaced sinuous lines. Furthermore, a substantial portion of the panel, apart from the zones (162) may also be provided with a pattern of weakeners arranged in a series of spaced sinuous lines (163), interrupted by the zones (162).



**FIGURE 46**



European Patent  
Office

### PARTIAL EUROPEAN SEARCH REPORT

Application Number

which under Rule 45 of the European Patent Convention EP 01 30 8204 shall be considered, for the purposes of subsequent proceedings, as the European search report

DOCUMENTS CONSIDERED TO BE RELEVANT			
Category	Citation of document with indication, where appropriate, of relevant passages	Relevant to claim	CLASSIFICATION OF THE APPLICATION (Int.Cl.7)
X	US 4 418 958 A (WATKIN BERNARD C) 6 December 1983 (1983-12-06) * abstract; figures 1-3 * ---	1-8, 11, 12, 16-19	A47C7/02 A47C7/14 A47C1/023
X	US 5 050 931 A (KNOBLOCK GLENN A) 24 September 1991 (1991-09-24) * abstract; figures 2, 3, 6, 8-15 * ---	1, 3-8, 11-14, 16-20	
X	US 5 664 835 A (DESANTA SIMON) 9 September 1997 (1997-09-09) * column 1, line 53 - column 2, line 36; figures * ---	1, 2, 4-7	
A	US 4 962 964 A (SNODGRASS WARREN) 16 October 1990 (1990-10-16) * the whole document * -----	1-20	
			TECHNICAL FIELDS SEARCHED (Int.Cl.7)
			A47C
INCOMPLETE SEARCH			
<p>The Search Division considers that the present application, or one or more of its claims, does/do not comply with the EPC to such an extent that a meaningful search into the state of the art cannot be carried out, or can only be carried out partially, for these claims.</p> <p>Claims searched completely :</p> <p>Claims searched incompletely :</p> <p>Claims not searched :</p> <p>Reason for the limitation of the search: see sheet C</p>			
Place of search		Date of completion of the search	Examiner
MUNICH		31 March 2003	MacCormick, D
CATEGORY OF CITED DOCUMENTS			
<p>X : particularly relevant if taken alone Y : particularly relevant if combined with another document of the same category A : technological background O : non-written disclosure P : intermediate document</p>		<p>T : theory or principle underlying the invention E : earlier patent document, but published on, or after the filing date D : document cited in the application L : document cited for other reasons ..... &amp; : member of the same patent family, corresponding document</p>	

EPO FORM 1503 03.82 (P/4C07)



European Patent  
Office

**INCOMPLETE SEARCH  
SHEET C**

Application Number  
EP 01 30 8204

Claim(s) searched completely:  
1-20

Claim(s) not searched:  
21-92

Reason for the limitation of the search:

In view of the large number of the claims presently on file, which render it difficult, if not impossible, to determine the matter for which protection is sought, the present application fails to comply with the clarity and conciseness requirements of Article 84 EPC (see also Rule 29(5) EPC) to such an extent that a meaningful search is impossible. Consequently, the search has been carried out for those parts of the application which do appear to be clear (and concise), namely the features of the seat which are described in claims 1-20.

ANNEX TO THE EUROPEAN SEARCH REPORT  
ON EUROPEAN PATENT APPLICATION NO.

EP 01 30 8204

This annex lists the patent family members relating to the patent documents cited in the above-mentioned European search report.  
The members are as contained in the European Patent Office EDP file on  
The European Patent Office is in no way liable for these particulars which are merely given for the purpose of information.

31-03-2003

Patent document cited in search report		Publication date		Patent family member(s)	Publication date
US 4418958	A	06-12-1983	AT	7451 T	15-06-1984
			DE	3163545 D1	20-06-1984
			EP	0032839 A2	29-07-1981
			ZA	8100415 A	31-03-1982
US 5050931	A	24-09-1991	JP	6253941 A	13-09-1994
			JP	8015448 B	21-02-1996
			JP	6253942 A	13-09-1994
			JP	8015449 B	21-02-1996
			JP	2533065 B2	11-09-1996
			JP	6253943 A	13-09-1994
			JP	3142518 B2	07-03-2001
			JP	11103967 A	20-04-1999
			JP	3242113 A	29-10-1991
			JP	8022250 B	06-03-1996
			US	5352022 A	04-10-1994
			US	5487591 A	30-01-1996
			US	5567012 A	22-10-1996
			US	5611598 A	18-03-1997
			US	5725277 A	10-03-1998
			US	5333934 A	02-08-1994
US	5806930 A	15-09-1998			
US 5664835	A	09-09-1997	DE	4410383 A1	28-09-1995
			AT	165955 T	15-05-1998
			AU	688888 B2	19-03-1998
			AU	2214595 A	17-10-1995
			CA	2161879 A1	05-10-1995
			DE	59502174 D1	18-06-1998
			DK	751726 T3	02-06-1998
			WO	9526152 A1	05-10-1995
			EP	0751726 A1	08-01-1997
			ES	2115375 T3	16-06-1998
			JP	2969290 B2	02-11-1999
JP	10507091 T	14-07-1998			
US 4962964	A	16-10-1990	NONE		

EPO FORM P0469

For more details about this annex : see Official Journal of the European Patent Office, No. 12/82