

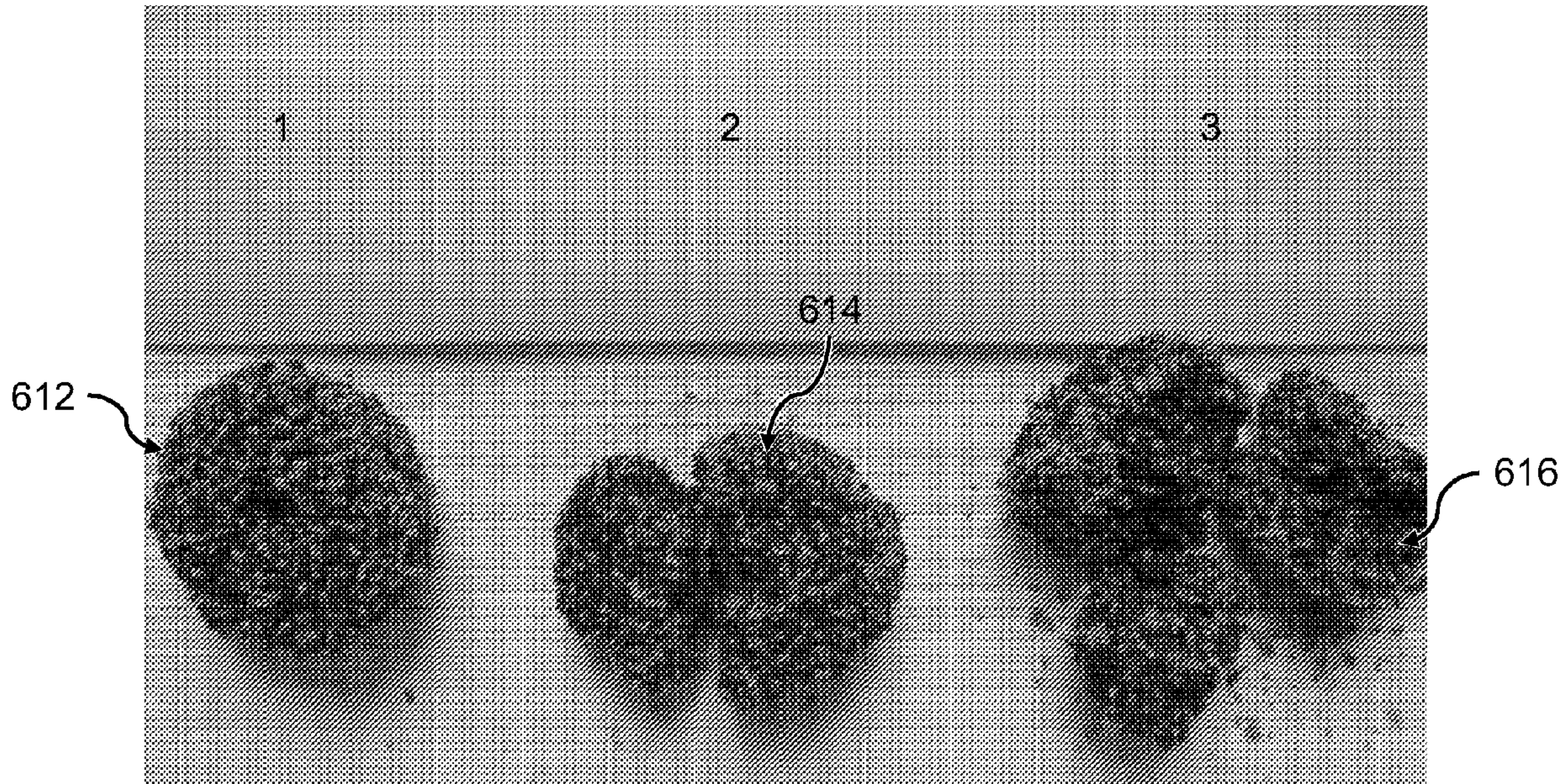


(86) Date de dépôt PCT/PCT Filing Date: 2012/06/15  
 (87) Date publication PCT/PCT Publication Date: 2012/12/20  
 (85) Entrée phase nationale/National Entry: 2013/12/05  
 (86) N° demande PCT/PCT Application No.: US 2012/042631  
 (87) N° publication PCT/PCT Publication No.: 2012/174356  
 (30) Priorités/Priorities: 2011/06/15 (US61/497,178);  
 2012/06/15 (US13/524,021)

(51) Cl.Int./Int.Cl. *A01K 1/01* (2006.01),  
*C02F 11/12* (2006.01)  
 (71) Demandeur/Applicant:  
 OIL-DRI CORPORATION OF AMERICA, US  
 (72) Inventeurs/Inventors:  
 KURAS, MONIKA, US;  
 GOSS, BOB, US;  
 JAFFEE, DAN, US;  
 SORAL, BOB, US;  
 GRACE, ELLIOTT, US;  
 HUNT, ROLFE, US;  
 YANCEY, DANNY, US;  
 ...

(74) Agent: MBM INTELLECTUAL PROPERTY LAW LLP

(54) Titre : LITIERE POUR CHAT  
 (54) Title: CAT LITTER PRODUCT



**FIG.6**

(57) **Abrégé/Abstract:**

Litter compositions are provided comprising sodium bentonite and various fillers. These litter compositions have substantially the same clumpability properties as a composition consisting of only the sodium bentonite.



(72) Inventeurs(suite)/Inventors(continued): JONES, KEVIN, US; DONATELLO, MATTHEW, US

(12) INTERNATIONAL APPLICATION PUBLISHED UNDER THE PATENT COOPERATION TREATY (PCT)

(19) World Intellectual Property  
Organization  
International Bureau

WIPO | PCT

(10) International Publication Number  
**WO 2012/174356 A3**(43) International Publication Date  
20 December 2012 (20.12.2012)

- (51) **International Patent Classification:**  
*A01K 1/01* (2006.01)      *C02F 11/12* (2006.01)      [US/US]; 5125 N. Noridica Avenue, Chicago, IL 60656 (US).
- (21) **International Application Number:** PCT/US2012/042631
- (22) **International Filing Date:** 15 June 2012 (15.06.2012)
- (25) **Filing Language:** English
- (26) **Publication Language:** English
- (30) **Priority Data:**  
61/497,178      15 June 2011 (15.06.2011)      US  
13/524,021      15 June 2012 (15.06.2012)      US
- (71) **Applicant (for all designated States except US):** OIL-DRI CORPORATION OF AMERICA [US/US]; 410 Michigan Avenue, Suite 400, Chicago, IL 60611-4213 (US).
- (72) **Inventors; and**
- (75) **Inventors/Applicants (for US only):** KURAS, Monika [US/US]; 122 Willow Brook Court, #1, Schaumburg, IL 60195 (US). GOSS, Bob [US/US]; 7400 36th Avenue, Kenosha, WI 53142 (US). JAFFEE, Dan [US/US]; 3809 Michiana Drive, Michigan City, IN 46360 (US). SORAL, Bob [US/US]; 1313 Andover Drive, Mundelein, IL 60060 (US). GRACE, Elliott [US/US]; 1767 Hermitage Blvd., #8106, Tallahassee, FL 32308 (US). HUNT, Rolfe [US/US]; 2204 Twin Lakes Drive, Bainbridge, GA 39819 (US). YANCEY, Danny [US/US]; 5190 CR 500, Ripley, MS 38663 (US). JONES, Kevin [US/US]; 18121 Hwy 2 East, Ripley, MS 38663 (US). DONATELLO, Matthew
- (74) **Agent:** GUTTAG, Mark, J.; Vedder Price, PC, 1401 I Street, NW, Suite 1100, Washington, DC 20005 (US).
- (81) **Designated States (unless otherwise indicated, for every kind of national protection available):** AE, AG, AL, AM, AO, AT, AU, AZ, BA, BB, BG, BH, BR, BW, BY, BZ, CA, CH, CL, CN, CO, CR, CU, CZ, DE, DK, DM, DO, DZ, EC, EE, EG, ES, FI, GB, GD, GE, GH, GM, GT, HN, HR, HU, ID, IL, IN, IS, JP, KE, KG, KM, KN, KP, KR, KZ, LA, LC, LK, LR, LS, LT, LU, LY, MA, MD, ME, MG, MK, MN, MW, MX, MY, MZ, NA, NG, NI, NO, NZ, OM, PE, PG, PH, PL, PT, QA, RO, RS, RU, RW, SC, SD, SE, SG, SK, SL, SM, ST, SV, SY, TH, TJ, TM, TN, TR, TT, TZ, UA, UG, US, UZ, VC, VN, ZA, ZM, ZW.
- (84) **Designated States (unless otherwise indicated, for every kind of regional protection available):** ARIPO (BW, GH, GM, KE, LR, LS, MW, MZ, NA, RW, SD, SL, SZ, TZ, UG, ZM, ZW), Eurasian (AM, AZ, BY, KG, KZ, RU, TJ, TM), European (AL, AT, BE, BG, CH, CY, CZ, DE, DK, EE, ES, FI, FR, GB, GR, HR, HU, IE, IS, IT, LT, LU, LV, MC, MK, MT, NL, NO, PL, PT, RO, RS, SE, SI, SK, SM, TR), OAPI (BF, BJ, CF, CG, CI, CM, GA, GN, GQ, GW, ML, MR, NE, SN, TD, TG).
- Published:**
- with international search report (Art. 21(3))
  - before the expiration of the time limit for amending the claims and to be republished in the event of receipt of amendments (Rule 48.2(h))

[Continued on next page]

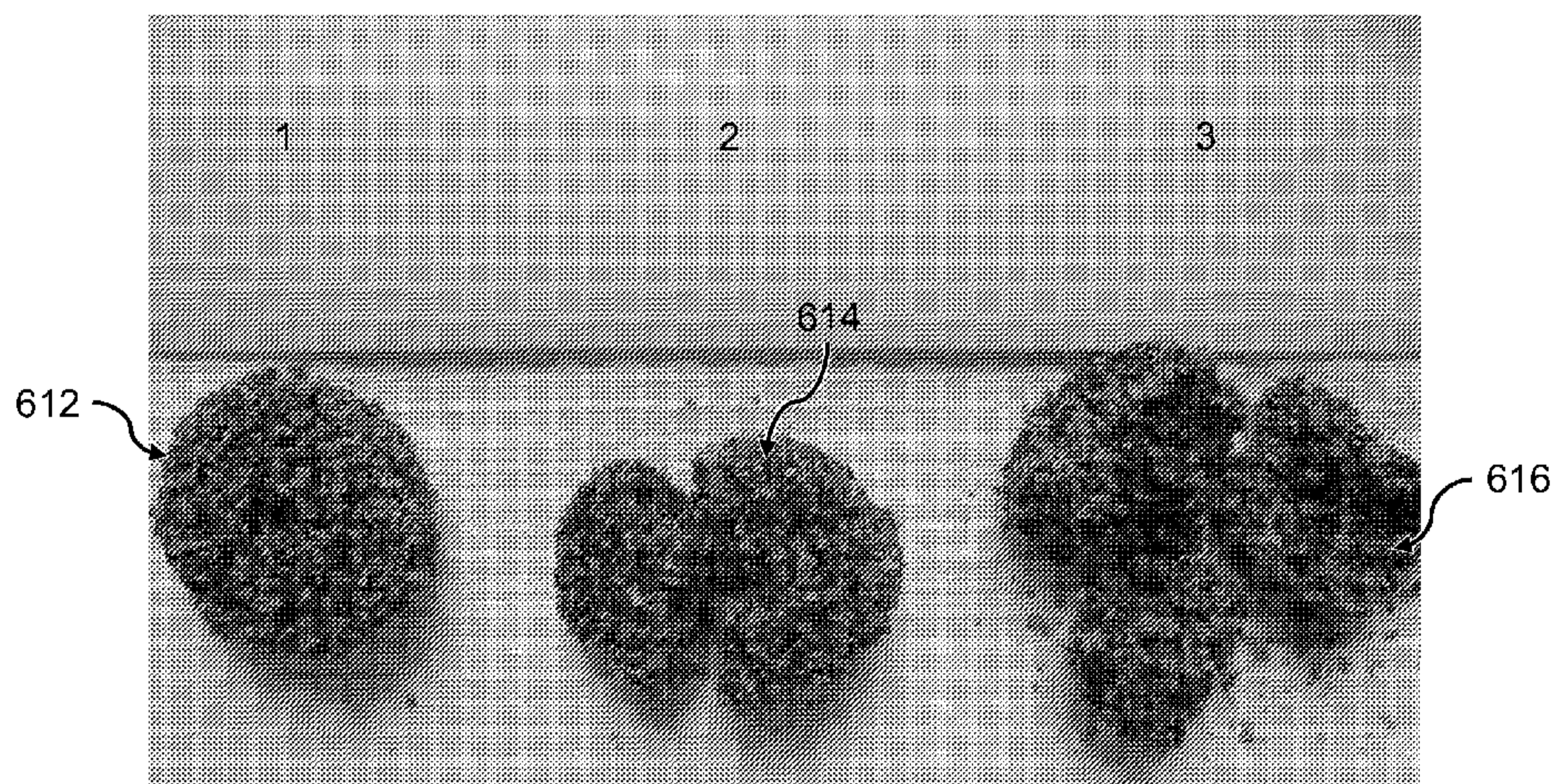
(54) **Title:** CAT LITTER PRODUCT

FIG. 6

(57) **Abstract:** Litter compositions are provided comprising sodium bentonite and various fillers. These litter compositions have substantially the same clumpability properties as a composition consisting of only the sodium bentonite.

**WO 2012/174356 A3** 

---

(88) Date of publication of the international search report:  
10 May 2013

## CAT LITTER PRODUCT

### CROSS-REFERENCE TO RELATED APPLICATIONS

[0001] This application claims benefit of priority to U.S. Patent Application No. 5 13/524,021, entitled "Cat Litter Product," filed June 15, 2012, which claims benefit of priority to U.S. Provisional Patent Application No. 61/497,178, entitled "Cat Litter Product," filed June 15, 2011, which is incorporated herein by reference in its entirety.

### BACKGROUND

#### *Field of the Invention*

10 [0002] The present invention relates to cat litter products.

#### *Related Art*

[0003] Swelling clay made of sodium bentonite has been used to promote clumping in cat litter products but has the disadvantage of being relatively expensive.

15

### SUMMARY

[0004] According to a first broad aspect, the present invention provides composition comprising: a blend comprising sodium bentonite and calcium bentonite, wherein sodium bentonite comprises at least 47% of the total external surface area of the blend, wherein the calcium bentonite comprises 5% to 53% of the total external surface area of the blend, 20 wherein 90% of the particles of the sodium bentonite have a particle size of 345 to 1695  $\mu\text{m}$ , and wherein 90% of the particles of the calcium bentonite have a particle size of 626 to 2000  $\mu\text{m}$ .

[0005] According to a second broad aspect, the present invention provides a composition comprising: a blend of sodium bentonite and calcium bentonite, wherein the calcium 25 bentonite is coated with a coating comprising polytetrafluoroethylene (PTFE).

[0006] According to a third broad aspect, the present invention provides a composition comprising a uniform blend of sodium bentonite and calcium bentonite.

[0007] According to fourth broad aspect, the present invention provides a composition comprising: a mixture comprising sodium bentonite and one or more granular filler 30 materials, wherein the one or more granular filler materials comprise one or more cellulose-

containing materials, wherein sodium bentonite comprises at least 47% of the total external surface area of the mixture, wherein the one or more granular filler materials comprise 5% to 53% of the total external surface area of the mixture, and wherein the mixture is removably clumpable.

- 5 [0008] According to fifth broad aspect, the present invention provides a composition comprising: a mixture comprising sodium bentonite and one or more granular filler materials, wherein the one or more granular filler materials comprise one or more non-calcium bentonite clays, wherein sodium bentonite comprises at least 47% of the total external surface area of the mixture, wherein the one or more granular filler materials  
10 comprise 5% to 53% of the total external surface area of the mixture, and wherein the mixture is removably clumpable.

#### BRIEF DESCRIPTION OF THE DRAWINGS

- [0009] The accompanying drawings, which are incorporated herein and constitute part of this specification, illustrate exemplary embodiments of the invention, and, together with the  
15 general description given above and the detailed description given below, serve to explain the features of the invention.

[0010] FIG. 1 is a flow chart showing a method of making a litter product according to one embodiment of the present invention.

- [0011] FIG. 2 is a flow chart showing a method of making a fragrance-free litter product  
20 according to one embodiment of the present invention.

[0012] FIG. 3 is a schematic diagram of an apparatus for making a litter product according to one embodiment of the present invention.

[0013] FIG. 4 is a schematic front view of a dropping device for testing clump strength of a litter using a Standard Drop Method Test.

- 25 [0014] FIG. 5 is schematic side view of the dropping device of FIG. 4.

[0015] FIG. 6 is an image showing examples of clumps showing different levels of clump strength.

[0016] FIG. 7 is a schematic front view of an extreme dropping device for testing clump strength of a litter using an Extreme Drop Method Test.

- 30 [0017] FIG. 8 is schematic side view of the extreme dropping device of FIG. 7.

[0018] FIG. 9 is a graph of U.S. mesh versus ASTM multiplier for the sodium bentonite and calcium bentonite particles used in the litter compositions of Examples 3–35.

[0019] FIG. 10 is a plot of the percentage external surface area as sodium bentonite per pound of product plotted against the clump strength results for 30 second and 1 hour clumps  
5 for the litter compositions of Examples 3–35.

[0020] FIG. 11 is a plot of the percentage total particle count as sodium bentonite per pound of product versus the clump strength results for 30 second and 1 hour clumps for the litter compositions of Examples 3–35.

[0021] FIG. 12 shows a table providing information about the sodium bentonite used in  
10 Blend #1 of Example 3 and Blend #4 of Example 6.

[0022] FIG. 13 shows a table providing information about the calcium bentonite used in Blend #1 of Example 3 and Blend #4 of Example 6.

[0023] FIG. 14 shows a table providing information about the sodium bentonite used in Blend #2 of Example 4, Blend #3 of Example 5, Blend #15 of Example 17, Blend #16 of  
15 Example 18, Blend #17 of Example 19, Blend #18 of Example 20, Blend #19 of Example 21, Blend #20 of Example 22, Blend #21 of Example 23 and Blend #22 of Example 24.

[0024] FIG. 15 shows a table providing information about the calcium bentonite used in Blend #2 of Example 4, Blend #17 of Example 19, Blend #18 of Example 20 and Blend #19 of Example 21.

[0025] FIG. 16 shows a table providing information about the calcium bentonite used in  
20 Blend #3 of Example 5 and Blend #32 of Example 34.

[0026] FIG. 17 shows a table providing information about the sodium bentonite used in Blend #5 of Example 7 and Blend #6 of Example 8.

[0027] FIG. 18 shows a table providing information about the calcium bentonite used in  
25 Blend #5 of Example 7, Blend #6 of Example 8, Blend #7 of Example 9, Blend #8 of Example 10, Blend #9 of Example 11, Blend #10 of Example 12, Blend #11 of Example 13, Blend #12 of Example 14, Blend #13 of Example 15 and Blend #14 of Example 16.

[0028] FIG. 19 shows a table providing information about the sodium bentonite used in Blend #7 of Example 9, Blend #8 of Example 10, Blend #9 of Example 11, Blend #10 of  
30 Example 12 and Blend #11 of Example 13.

[0029] FIG. 20 shows a table providing information about the sodium bentonite used in Blend #12 of Example 14, Blend #13 of Example 15 and Blend #14 of Example 16.

[0030] FIG. 21 shows a table providing information about the calcium bentonite used in Blend #15 of Example 17 and Blend #16 of Example 18.

5 [0031] FIG. 22 shows a table providing information about the calcium bentonite used in Blend #20 of Example 22, Blend #21 of Example 23 and Blend #22 of Example 24.

[0032] FIG. 23 shows a table providing information about the sodium bentonite used in Blend #23 of Example 25.

10 [0033] FIG. 24 shows a table providing information about the calcium bentonite used in Blend #23 of Example 25.

[0034] FIG. 25 shows a table providing information about the sodium bentonite used in Blend #24 of Example 26, Blend #25 of Example 27, Blend #26 of Example 28, Blend #27 of Example 29, Blend #28 of Example 30. Blend #29 of Example 31, Blend #30 of Example 32, Blend #31 of Example 33, the litter of Example 35, Blend #41 of Example 44, Blend #42 of Example 45, Blend #43 of Example 46, Blend #44 of Example 47, Blend #45 of Example 48 and Blend #46 of Example 49.

[0035] FIG. 26 shows a table providing information about the paper granules used in Blend #24 of Example 26, Blend #25 of Example 27, Blend #26 of Example 28 and Blend #27 of Example 29.

20 [0036] FIG. 27 shows a table providing information about the wood fiber particles used in Blend #28 of Example 30.

[0037] FIG. 28 shows a table providing information about the barley grains used in Blend #29 of Example 31, Blend #30 of Example 32 and Blend #31 of Example 33.

25 [0038] FIG. 29 shows a table providing information about the sodium bentonite used in Blend #32 of Example 34.

[0039] FIG. 30 shows a table providing information about the sodium bentonite used in Blend #33 of Example 36, Blend #34 of Example 37, Blend #35 of Example 38, Blend #36 of Example 39, Blend #37 of Example 40 and Blend #37 of Example 40.



[0040] FIG. 31 shows a table providing information about the calcium bentonite used in Blend #33 of Example 36, Blend #34 of Example 37, Blend #35 of Example 38, Blend #36 of Example 39, Blend #37 of Example 40 and Blend #37 of Example 40.

5 [0041] FIG. 32 shows a table providing information about the attapulgite used in Blend #41 of Example 44, Blend #42 of Example 45 and Blend #43 of Example 46.

[0042] FIG. 33 shows a table providing information about the Taft clay used in Blend #44 of Example 47, Blend #45 of Example 48 and Blend #46 of Example 49.

[0043] FIG. 34 is a plot of detected ammonia versus days for three different litter compositions.

## 10 DETAILED DESCRIPTION OF THE PREFERRED EMBODIMENTS

### *Definitions*

[0044] Where the definition of terms departs from the commonly used meaning of the term, applicant intends to utilize the definitions provided below, unless specifically indicated.

15 [0045] For purposes of the present invention, it should be noted that the singular forms, “a,” “an” and “the” include reference to the plural unless the context as herein presented clearly indicates otherwise.

[0046] For purposes of the present invention, directional terms such as “top,” “bottom,” “upper,” “lower,” “above,” “below,” “left,” “right,” “horizontal,” “vertical,” “up,” “down,” etc., are merely used for convenience in describing the various embodiments of the present invention. The embodiments of the present invention may be oriented in various ways. For example, the diagrams, apparatuses, etc., shown in the drawing figures may be flipped over, rotated by 90° in any direction, reversed, etc.

25 [0047] For purposes of the present invention, a value or property is “based” on a particular value, property, the satisfaction of a condition or other factor, if that value is derived by performing a mathematical calculation or logical decision using that value, property or other factor.

[0048] For purposes of the present invention, the term “blend” refers to a uniform or substantially uniform mixture of two or more solid materials. One or more materials in a blend may be coated.

[0049] For purposes of the present invention, the term “cellulose-containing material” refers to a material in which 10% or more of the material is comprised of cellulose. Examples of cellulose-containing materials include paper, wood, seeds, fibers, etc. Examples of suitable seeds and grains for use as filler material include grass seeds and grains such as  
5 barley, rice, wheat, corn, maize, etc., pieces and parts thereof, reconstituted parts thereof and mixtures thereof.

[0050] For purposes of the present invention, the term “clumping additive” refers to a clumping agent other than sodium bentonite.

[0051] For purposes of the present invention, the term “clumping agent” refers to a  
10 material that increases the clump strength of a litter material. Examples of clumping agents include sodium bentonite, xanthan gum, guar gum, etc.

[0052] For purposes of the present invention, the term “clump strength” refers to the numerical value of average clump strength for a clump of litter material formed by exposing the litter material to a wetting agent approximating urine. The clump strength of a litter  
15 material may be determined using one of the clump strength test procedures described below. These procedures include the Standard Drop Method Test and Extreme Drop Method Test described below, as well as other procedures for determining clump strength.

[0053] For purposes of the present invention, the term “filler” and the term “filler material” refer to a material in a litter product other than a clumping agent, i.e., other than  
20 sodium bentonite or a clumping additive. In one embodiment of the present invention, a filler material may be calcium bentonite. In one embodiment of the present invention, the filler material may be a cellulose-containing material. In one embodiment of the present invention filler may constitute from 5% to 53% of the total external surface of a litter product. In one  
25 embodiment of the present invention filler may constitute from 10% to 53% of the total external surface of a litter product. In one embodiment of the present invention filler may constitute from 15% to 53% of the total external surface of a litter product. In one embodiment of the present invention filler may constitute from 50% to 53% of the total external surface of a litter product.

[0054] For purposes of the present invention, the term “fragrance coating” refers to a  
30 coating comprising a fragrance. A fragrance coating may include other components.

[0055] For purposes of the present invention, the term “granular” refers to a solid material having a particle size below 2 mesh. A solid material used in a mixture of the present invention may be ground to form a granular material.

5 [0056] For purposes of the present invention, the term “granular filler” and the term “granular filler material” refer to a filler that is granular.

[0057] For purposes of the present invention, the term “heterogeneous mixture” refers to a composition in which the components of the mixture may be readily separated from each other.

10 [0058] For purposes of the present invention, the term “homogeneous mixture” refers to a composition that is uniform.

[0059] For purposes of the present invention, the term “mixture” refers to a composition comprising two or more different components that are mixed but not combined chemically. An individual component of a heterogenous mixture may comprise two substances that are combined chemically, such as calcium bentonite particles coated with polytetrafluoroethylene (PTFE).

[0060] For purposes of the present invention, the term “non-calcium bentonite clay” refers to a clay other than calcium bentonite. Because a filler material cannot be sodium bentonite, a “non-calcium bentonite clay” cannot be sodium bentonite.

20 [0061] For purposes of the present invention, the term “removably clumpable” refers to a litter that, when exposed to a wetting agent forms one or more clumps having a firmness of sufficient structural integrity and hardness to withstand mechanical separation from unwetted litter for disposal. A litter material having a clump strength of  $\leq 1.33$  using the Standard Drop Method Test (described below) 30 seconds, 1 hour, 12 hours, 24 hours, 36 hours or 72 hours after the clump is formed by exposure to a liquid is removably clumpable. A litter that is removably clumpable, i.e., has a clump strength of  $\leq 1.33$  using the Standard Drop Method Test, has a clump strength that is substantially the same as a litter comprised of only the sodium bentonite of the litter.

[0062] For purposes of the present invention, the term “substantially uniform” refers to a mixture that has substantially the same density throughout the mixture.

30 [0063] For purposes of the present invention, the term “Taft clay” refers to Antelope shale. Taft clay is porcelanite that is composed of opalaceous material.

[0064] For purposes of the present invention, the term “uniform” refers to a mixture of two or more solid materials wherein a measured density of the composition for ten or more samples of the mixture has a standard deviation of no greater than 2.0 lbs/ft<sup>3</sup> throughout the mixture. One or more of the solid materials may be coated.

5 [0065] For purposes of the present invention, the term “uniform blend” refers to a blend that is uniform.

[0066] For purposes of the present invention, the term “uniform mixture” refers to a mixture that is uniform.

10 [0067] For purposes of the present invention, the term “wetting agent” refers to a liquid that wets a litter. Examples of wetting agents include liquids such as water, aqueous solutions, urine, synthetic urine, etc.

#### *Description*

15 [0068] In one embodiment, the present invention provides a litter comprising sodium bentonite and calcium bentonite in which only the calcium bentonite particles are coated in polytetrafluoroethylene (PTFE) as a dedusting agent. Because clumpability for litters comprising mixtures of sodium bentonite with a filler, such as calcium bentonite, is dependent on the total external surface area of the sodium bentonite particles in the litter, by applying a PTFE coating to only the calcium bentonite particles, in one embodiment the present invention provides a litter that is low in dust while not substantially reducing the  
20 clumpability of the litter.

[0069] In one embodiment, the present invention provides a litter product blend of sodium bentonite and calcium bentonite in which 90% of the sodium bentonite particles have a particle size of between 345 and 1695  $\mu\text{m}$  and 90% of the calcium bentonite particles have a particle size of between 626 and 1695  $\mu\text{m}$ . In one embodiment of the present invention, the  
25 sodium bentonite particles have an average size of between 450 and 1000  $\mu\text{m}$  and the calcium bentonite particles have an average range between 650 and 2000  $\mu\text{m}$ .

[0070] In one embodiment, the present invention provides a litter product comprising a mixture of sodium bentonite and one or more fillers that has emissions of ammonia when exposed to urine that are less than for sodium bentonite alone.

[0071] In one embodiment, the present invention provides a litter product comprising sodium bentonite and one or more filler materials, in which the litter product has similar clumpability properties to sodium bentonite of the litter while being less dense than the sodium bentonite alone. In one embodiment, the present invention provides a clumpable  
5 litter product employing a cellulose-containing filler material to minimize the amount of sodium bentonite used while still providing clumpability similar to sodium bentonite of the litter.

[0072] FIG. 1 shows a method 102 for making a litter product according to one embodiment of the present invention that includes a fragrance. Method 102 starts with a tank  
10 110 containing sodium bentonite granular particles and a tank 112 containing calcium bentonite particles. At step 114 the sodium bentonite particles are delivered from tank 112 to one of a series of conveyor belts that transport the sodium bentonite to a mixing station. At step 116 while the sodium bentonite particles are travelling on one of the conveyors, a fragrance slurry is added to the sodium bentonite particles as a coating. The fragrance slurry  
15 is a solution or suspension containing one or more fragrances and possibly other additives. Steps 124 and 126 are conducted at the same time as steps 114 and 116. At step 124 the calcium bentonite particles are delivered from tank 112 to one of a series of conveyor belts that transport the calcium bentonite to a mixing station. At step 126 while the calcium bentonite particles are travelling on one of the conveyors, a PTFE slurry is added to the  
20 calcium bentonite particles as a coating. The PTFE slurry is a solution or suspension containing PTFE. At step 132, the coated sodium bentonite particles and coated calcium bentonite particles are brought together to form a litter mixture. At step 134 the litter mixture is dedusted. At step 136 the sodium bentonite and the calcium bentonite are mixed together to form a litter product 138 that is a uniform blend. The fragrance slurry is sprayed onto the  
25 sodium bentonite particles in step 116 using a first hydraulic sprayer pump that sprays the fragrance slurry through a first set of flat fan sprayer nozzles to form a fragrance coating. The PTFE slurry is sprayed onto the calcium bentonite particles in step 126 using a second hydraulic sprayer pump that sprays the PTFE slurry through a second set of flat fan sprayer nozzles to form a PTFE coating.

30 [0073] FIG. 2 shows a method 202 for making a litter product according to one embodiment of the present invention that is fragrance-free. Method 202 starts with a tank 210 containing sodium bentonite granular particles and a tank 212 containing calcium

bentonite particles. At step 214 the sodium bentonite particles are delivered from tank 212 to one of a series of conveyor belts that transport the sodium bentonite to a mixing station. Steps 224 and 226 are conducted at the same time as step 214. At step 224 the calcium bentonite particles are delivered from tank 212 to one of a series of conveyor belts that transport the calcium bentonite to a mixing station. At step 226 while the calcium bentonite particles are travelling on one of the conveyors, a PTFE slurry is added to the calcium bentonite particles as a PTFE coating. The PTFE slurry is a solution or suspension containing PTFE. At step 232, the coated sodium bentonite particles and coated calcium bentonite particles are brought together to form a litter mixture. At step 234 the litter mixture is dedusted. At step 236 the sodium bentonite and the calcium bentonite are mixed together to form a litter product 238 that is a uniform blend. The PTFE slurry is sprayed onto the calcium bentonite particles in step 226 using a hydraulic sprayer pump that sprays the PTFE slurry through a second set of flat fan sprayer nozzles.

[0074] FIG. 3 shows an apparatus 302 that may be employed in the methods of FIGS. 1 and 2, as well as other methods of making a litter product according to various embodiments of the present invention. Apparatus 302 includes a sodium bentonite tank 312 which is used to deliver sodium bentonite particles to a weigh conveyor belt 314 where the sodium bentonite particles are weighed. Weigh conveyor belt 314 conveys the sodium bentonite particles to a conveyor belt 316 where a fragrance slurry from a tank 318 may be sprayed onto the sodium bentonite particles, as indicated by arrow 320, to form coated sodium bentonite by using a hydraulic spray pump to pump the fragrance slurry through a set of flat fan sprayer nozzles. If a fragrance-free product is being produced, this step of spraying the fragrance slurry on the sodium bentonite particles may be omitted. For simplicity in the remainder of the description of the functioning of apparatus 302 it will be assumed that the sodium bentonite particles are coated with a fragrance slurry to form a fragrance coating. Conveyor belt 316 conveys the coated sodium bentonite particles to a base portion 322 of an elevator 324 as indicated by arrow 326.

[0075] Apparatus 302 also includes a calcium bentonite tank 332 which is used to deliver calcium bentonite particles to a weigh conveyor belt 334 where the calcium bentonite particles are weighed. Weigh conveyor belt 334 conveys the calcium bentonite particles to a conveyor belt 336 where a PTFE slurry from a tank 340 is sprayed onto the calcium bentonite particles, as indicated by arrow 342, to form coated calcium bentonite particles by using a

hydraulic spray pump to pump the PTFE slurry through a set of flat fan sprayer nozzles. Conveyor belt 336 conveys the calcium bentonite particles to a base portion 322 of elevator 324.

5 [0076] The coated sodium bentonite particles and the coated calcium bentonite particles are mixed together at base portion 322 of elevator 324 and conveyed up to a top portion 328 of elevator 324 before falling through a dedust box 348 and a mass flow surge bin 350 and onto a weigh conveyor belt 352. The total amount of mixture is weighed on weigh conveyor belt 352. Weigh conveyor belt 352 conveys the mixture to a conveyor belt 354 where one or more additives may be added to the mixture from an additive feeder 356 as indicated by  
10 arrow 358. Conveyor belt 354 conveys the mixture to a conveyor belt 360 where the mixture is blended using stationary mixing plows 362. Conveyor belt 360 eventually conveys the mixture to a static mixer 364 to further blend the mixture. After the mixture is well blended to form a litter product, the litter product is dispensed from static mixer 364 into a mass flow packaging bin 366, as indicated by arrow 368, and is sent to a packaging apparatus as  
15 indicated by arrow 372. Dust collection is performed by various dust collection devices at various portions of apparatus 302 as shown by arrows 374.

[0077] The dedust box function dedusts the clay. Clay falls down a “flight of stairs” with air passing through the falling clay as it falls from each step. The air with entrained dust goes to a dust collector.

20 [0078] One purpose of the mass flow surge bin is to function as a typical surge bin. The mass flow surge bin also functions is to avoid segregation. A normal surge bin is a kind of “first in first out” and has funnel flow. This action may cause segregation. A mass flow bin does a much better job of avoiding segregation. When one mixes materials of either different particles sizes or densities, agitation and movement may cause segregation. A  
25 mass flow surge bin is a special design where material moves as a column down the silo so one gets a “first in, first out behavior. This greatly lessens agitation and decreases segregation.

[0079] In apparatus 302 of FIG. 3, the stationary plows are mounted over a moving belt to plow the material after a material addition. The stationary plows “fold” the material in. The  
30 stationary plows are set up to provide both a rolling action and a back and forth motion for blending. The stationary plows mix the final dry additives into the main flow of material on the belt by moving the flowing material back and forth from side to side turning it over onto

itself. There are four plows alternately angled left and right. The action is similar to that inside a static mixer. The movement of the powered conveyor belt flowing the material past the plows imparts the necessary energy for mixing. The plows are immediately downstream of where minor quantities of solid powdered and granular additives are applied. The plows  
5 assure that these additives are well-mixed into the blend.

**[0080]** The static mixer of apparatus 302 of FIG. 3 is a section of vertical pipe with an arrangement of internal mixing baffles (flanges or louvers) that repeatedly split and recombine the flow to ensure a final uniform blend immediately before packaging.

**[0081]** Apparatus 302 of FIG. 3 is controlled by a control system 382 that is used to  
10 control the percentage of each component in the composition of the litter's blend. Flows of materials may be dynamically ratioed so that the blends formed by the apparatus have a specific composition of ingredients. The weight conveyor belt for sodium bentonite sets the pace for the operation of the apparatus and sends a signal to the control system that is used to properly ratio the flow of calcium bentonite and all other ingredients. During startup,  
15 shutdown and speed changes, the control system maintains quality of blend by accounting for different belt lengths, belt speeds and flow rates so that flows start and stop together at the point of mixing. Further protections on quality include upper and lower range specifications on key settings. Associated with these are warning limits and process shutdown limits to prevent off-specification production. Important areas for blending and avoidance of  
20 segregation are the material transfer points, where the stationary plows blend the mixture, the static mixer and the mass flow surge bin.

**[0082]** In making a cat litter blend, any time a blend is agitated at a material transfer point where there is a free flow or free fall of material, segregation may occur. Therefore, in one embodiment of the present invention, segregation of the materials in a blend may be  
25 minimized by minimizing the number of material transfer points and by minimizing the length that a blend falls at a material transfer point.

**[0083]** The additive feeder of the apparatus of FIG. 3 may be used to add materials such as a clumping agent, a fragrance, odor control additives, etc. Although for simplicity of illustration, only one additive feeder is shown in FIG. 3, there may be two or more additive  
30 feeders.

**[0084]** In one embodiment of the present invention, the sodium bentonite used in a litter mixture may have a bulk density of 60 to 75 lbs/ft<sup>3</sup>.



[0085] In one embodiment of the present invention, the calcium bentonite used in a litter mixture may have a bulk density of 35 to 45 lbs/ft<sup>3</sup>.

[0086] In one embodiment of the present invention, a sodium bentonite/calcium bentonite blend used in a litter may have a bulk density of 50 to 58 lbs/ft<sup>3</sup>. In one embodiment of the present invention, a sodium bentonite/calcium bentonite blend may be sufficiently uniform that differences in the bulk density throughout the blend are 2.0 lbs/ft<sup>3</sup>, or 0.97 lbs/ft<sup>3</sup>, or 0.96 lbs/ft<sup>3</sup>, or even 0.74 lbs/ft<sup>3</sup>, for 10 samples of the blend.

[0087] In addition to calcium bentonite, other materials that may be used as filler materials in litter compositions of the present invention include Taft clay, smectites, attapulgite (palygorskite), fuller's earth, diatomaceous earth, kaolinite, sepiolite, zeolite, vermiculite, pumice, perlite, gypsum, beads (polyethylene, polystyrene, polypropylene, glass, silica gel), cloth, cotton, straw, cellulose, bark, poultry litter, reconstituted materials and combinations of materials such as mineral cellulose and light weight fertilizer, recycled wastes such as Milorganite, organic material such as barley grains, corn kernels, wheat grains, coffee beans, rice grains, nut shells, paper, wood fiber, wood pulp, wood shavings, wood chips, wood flour, sawdust, etc., pieces and parts thereof, reconstituted parts thereof and mixtures thereof. In one embodiment, filler materials of the present invention may have a bulk density of less than of the sodium bentonite in a litter mixture.

[0088] In one embodiment, a filler of the present invention may be a granular filler.

[0089] Litter compositions of the present invention may include clumping additives. Examples of clumping additives that may be used in mixtures of the present invention include polysaccharides, guar gum, Arabic gum, karaya gum, tara gum, ghatti gum, galactomannan gum, locust bean gum, cellulose ester or ether, carboxymethyl cellulose, hydroxypropylmethyl cellulose, hydroxybutylmethyl cellulose, methyl cellulose, polyelectrolyte, xanthan gum, alginates, carrageenan gums, pectins, starches, psyllium husk powder, corn flour, pre-gelatinized corn flour, polyvinyl alcohol, polymers, copolymers, modified starches, etc.

[0090] Litter compositions of the present invention may include dedusting agents. Examples of dedusting agents that may be included in a litter composition of the present invention include polytetrafluoroethylene (PTFE), oils, water, glycerols, glycols, polyvinyl alcohol, polyvinyl acetate, polymers, silicones, calcium chloride, foams, etc.

[0091] In one embodiment of the present invention in which calcium bentonite particles are used as a filler material, a 1.2% slurry of PTFE in water may be sprayed onto the calcium bentonite particles at the application rate of 40 lbs/ton of calcium bentonite (0.48 lbs. active PTFE per ton of calcium bentonite) using an apparatus such as shown in FIG. 1. The PTFE  
5 coated calcium bentonite is later blended with sodium bentonite.

[0092] A litter of the present invention may include various other additives such as odor control additives, odor masking agents, emulsifiers, fixatives, indicators, pesticides, insecticides, herbicides, attractants, repellants, sanitizers, emollients, humectants, dessicants, dyes, pigments, etc.

10 [0093] Examples of odor control additives that may be included in a litter composition of the present invention include biocides, urease inhibitors, iodine, chlorophyllin sodium copper salts, probiotics, enzymes, baking soda, carbon, zeolites, salts, aldehydes (benzaldehyde, heptaldehyde, undecalcatone, benzyl cinnamate, cinnamaldehyde, citral, vanillin, coumarin, undecanal, etc.).

15 [0094] Examples of odor masking agents that may be included in a litter composition of the present invention include fragrances such as citrus, floral (lavender), green, fruity, herbaceous, musk, oriental, woody, etc.

[0095] Examples of emulsifiers that may be included in a litter composition of the present invention include: polysorbate 20, polysorbate 80, block copolymers such as Lutrol® and  
20 non-ionic solubilizers such as Cremophor® RH.

[0096] Examples of fixatives that may be included in a litter composition of the present invention include polypropylene glycol, polypropylene glycol, polyethylene glycols, glycerin, sugar alcohols, etc.

[0097] Examples of indicators that may be included in a litter composition of the present  
25 invention include pH indicators, ammonia indicators, etc. that change color to indicate a change in pH, the presence of ammonia, etc.

[0098] Examples of attractants that may be included in a litter composition of the present invention include pheromones, catnip, etc.

[0099] Examples of repellants that may be included in a litter composition of the present  
30 invention include flea repellants, tick repellants, mite repellants, etc.

[0100] Examples of sanitizers that may be included in a litter composition of the present invention include alcohols, chlorhexidine gluconate, phenols, iodine, quaternary salts, ammonium compounds, hydrogen peroxide, urea hydrogen peroxide, sodium perchlorate, etc.

5 [0101] Examples of dessicants that may be included in a litter composition of the present invention include calcium sulfate, calcium chloride, silica gel, etc.

[0102] Having described the many embodiments of the present invention in detail, it will be apparent that modifications and variations are possible without departing from the scope of the invention defined in the appended claims. Furthermore, it should be appreciated that all examples in the present disclosure, while illustrating many embodiments of the invention, are provided as non-limiting examples and are, therefore, not to be taken as limiting the various aspects so illustrated.

10

## EXAMPLES

### *Materials and Methods*

#### 15 *Clump Strength Test—Standard Drop Method Test*

[0103] FIGS. 4 and 5 show a dropping device 402 used to test clump strength using the Stand Drop Method Test. To measure clump strength of litter formulations an aluminum pan is placed under a dropping device. The aluminum pan may include one or more sheets of paper product, such as a paper towel, as a liner. A small depression, approximately 1 cm, is made in a flat pile of a litter to be tested. 20 ml of a wetting agent is poured over the test litter. After 30 seconds a clump is removed from the test litter and placed on a swinging platform of a dropping device with the bottom side of the clump down. Prior to the clump being placed on the swinging platform, the swinging platform is raised by a user to be horizontal relative to the inner horizontal surface of the pan. The user releases the swinging platform allowing the clump to free fall into an aluminum pan placed exactly 12 inches (30.5 cm) below. Next, the clump is visually examined for breakage and assigned a rating on a scale from 1 to 3: 1: clump intact, no breakage; 2: slight breakage (clumps breaks into 2 pieces); and 3: moderate breakage (clump breaks into more than 2 pieces), as shown in FIG. 6. The test is repeated on 2 more clumps and the average rating of all 3 clumps is reported. In the Examples 3–49 below, synthetic urine was used as a wetting agent. The

20

25

30

particular synthetic urine composition used in Drop Method Tests of Examples 3–49 is shown below in Table A:

**Table A**

<b>Component</b>	<b>% by weight</b>
Water	89.84
Urea	5.44
Sodium chloride	3.00
Sodium phosphate	0.78
Ammonium nitrate	0.50
Sodium bisulfate	0.44
Total	100.00

[0104] Dropping device 402 includes a vertical back 412 mounted on two legs 414 and 416 that stand on a table surface 418. A swinging platform 422 is mounted on a vertical back 412 by means of a spring-loaded hinge 424 that is attached to swinging platform 422 and a base 426 by mounting plates 428 and 430. Base 426 is mounted on vertical back 412. An aluminum pan 432 is located on table surface 418 below swinging platform 422. FIG. 4 shows swinging platform 422 in a down position. FIG. 2 shows swinging platform 422 in an up position. Swinging platform 422 is maintained in the up position by a user holding swinging platform 422 in the up position.

[0105] FIG. 5 shows a clump 442 having a bottom side 444 resting on swinging platform 422 at a middle point 452 (shown in FIG. 4) of swinging platform 422 prior to dropping. When swinging platform 422 is released by a user, swinging platform 422 swings down as shown by dashed arrow 454 until swinging platform 422 rests against vertical back 412 as shown by shadow lines 456. When swinging platform 422 is released, clump 442 drops vertically as shown by dashed arrow 458 into aluminum pan 432. A dropped clump 462 drops a distance, shown by double-headed arrow 464, from a top surface 466 of swinging platform 422 to an inner horizontal surface 468 of pan 432, which is 12 inches (30.5 cm). Swinging platform 422 has a length, shown by double-headed arrow 472, of 7.5 (19.1 cm) inches and a width, shown by double-headed arrow 474, of 4.5 inches (11.4 cm).

[0106] Clumps are evaluated using the scale shown in FIG. 6. An intact clump, shown by arrow 612, is given a rating of 1. A clump that breaks into only 2 pieces, shown by arrow 614, is given a rating of 2. A clump that breaks into 3 or more pieces, shown by arrow 616, is given a rating of 3.

***Clump Strength Test—Extreme Drop Method Test***

[0107] FIGS. 7 and 8 show a dropping device 702 used to test clump strength using the Extreme Drop Method Test. To measure clump strength of litter formulations an aluminum pan is placed under a dropping device. A small depression, approximately 1 cm is made in a flat pile of a litter to be tested. 20 ml of synthetic urine is poured over the test litter. After 30 seconds a clump is carefully removed from the test litter and placed on a swinging platform of a dropping device with the bottom side of the clump down. Prior to the clump being placed on the swinging platform, the swinging platform is raised by a user to be horizontal relative to the inner horizontal surface of the pan. The user releases swinging platform allowing the clump to free-fall into an aluminum pan placed exactly 47 inches (119.4 cm) below. Next, the clump is visually examined for breakage and assigned a rating on a scale from 1 to 3: 1: clump intact, no breakage; 2: slight breakage (clumps breaks into 2 pieces); and 3: moderate breakage (clump breaks into more than 2 pieces). The test is repeated on 2 more clumps and the average rating of all 3 clumps is reported.

[0108] Dropping device 702 including a vertical back 712 mounted on two legs 714 and 716 that stand on a table surface 718. A swinging platform 722 is mounted on vertical back 712 by means of a spring-loaded hinge 724 that is attached swinging platform 722 and a base 726 by mounting plates 728 and 730. Base 726 is mounted on vertical back 712. An aluminum pan 732 is located on table surface 718 below swinging platform 722. FIG. 7 shows swinging platform 722 in a down position. FIG. 8 shows swinging platform 722 in an up position. Swinging platform 722 is maintained in the up position by a user holding swinging platform 722 in the up position.

[0109] FIG. 8 shows a clump 742 having a bottom side 744 resting on swinging platform 722 at a middle point 752 (shown in FIG. 7) of swinging platform 722 prior to dropping. When swinging platform 722 is released by a user, swinging platform 722 swings down as shown by dashed arrow 754 until swinging platform 722 rests against vertical back 712 as shown by shadow lines 756. When swinging platform 722 is released, clump 742 drops vertically as shown by dashed arrow 758 into aluminum pan 732. A dropped clump 762 drops a distance, shown by double-headed arrow 764, from a top surface 766 of swinging platform 722 to an inner horizontal surface 768 of pan 732 is 47 inches (119.4 cm). Swinging platform has a length, shown by double-headed arrow 772, of 7.5 (19.1 cm) inches and a width, shown by double-headed arrow 774, of 4.5 inches (11.4 cm).

[0110] Clumps are evaluated using the scale shown in FIG. 6. An intact clump, shown by arrow 612, is given a rating of 1. A clump breaks into only 2 pieces, shown by arrow 614, is given a rating of 2. A clump that breaks into 3 or more pieces, shown by arrow 616, is given a rating of 3.

5 ***Bulk Density—Loose-fill (O’Haus) Method***

[0111] The Bulk Density—Loose-Fill (O’Haus) Method is a standard test used to determine the density (in lbs/ft<sup>3</sup>, or kg/m<sup>3</sup>) of a granulated or powdered substance in its loose state. In this method a tared dry pint cup is filled to overflowing with a sample of a granulated or powdered substance or mixture. The sample is leveled. The weight of the  
10 sample is measured and the bulk density calculated in pounds per cubic foot or kilograms per cubic meter. Additional information about this testing method is provided in ASTM Standard Method E 727, the entire contents and disclosures of which are incorporated herein by reference.

[0112] Apparatus and Reagents

- 15
1. Filling Hopper, O’Haus Model 150 or similar equipment
  2. Cup, standard dry pint
  3. Balance, accurate to  $\pm 0.1$  gram
  4. Straightedge ruler or knife spatula
  5. Sample splitter

20 [0113] Procedure (Operator time is approximately 10 minutes):

1. Weigh the standard pint cup to the nearest 0.1 gram and record ( $W_1$ ).
2. Select 400 grams of material, in accordance with a riffle method.
3. Close the slide gate on the bottom of the O’Haus filling hopper and pour the 400 grams of material into the hopper.
- 25 4. Position the dry pint cup below the gate so the cup is centered and two inches below the gate.
5. Open the gate quickly and let the sample fill the cup and overflow. Do not vibrate the cup or close the gate before all of the sample flows out of the hopper. (These test methods yield comparative data.)

6. Using a gentle sawing motion, level the material in the cup with a straightedge ruler or knife spatula.

7. Weigh the cup plus material to the nearest 0.1 gram ( $W_2$ ).

**[0114]** Calculations:

- 5           1. Weight of standard pint cup, in grams ( $W_1$ ).
2. Weight of cup plus sample, in grams ( $W_2$ ).
3. Bulk density, in pounds/cubic foot ( $\text{lb}/\text{ft}^3$ )  $D = (W_2 - W_1) \times 0.113$  (The value 0.113 is a conversion factor for converting from  $\text{gm}/\text{pint} = \text{lb}/\text{ft}^3$ )
- 10           4. Bulk density, in  $\text{kg}/\text{cubic meter}$  ( $\text{kg}/\text{m}^3$ )  $D = (W_2 - W_1) \times 1.81$  (The value 1.81 is a conversion factor for converting from  $\text{gm}/\text{pint} = \text{kg}/\text{m}^3$ )

***Odor Control—Magic Cat Box Method***

**[0115]** Magic Cat Box testing provides an evaluation of a cat litter's ammonia control efficacy over time under stressful conditions. The test can be used to compare competitive products and to evaluate new fragrance/biocide systems. This test involves mixing feces-inoculated synthetic cat urine with test material, placing in capped, ventilated jars and testing periodically for ammonia formation using ammonia detection tubes.

**[0116]** Apparatus and Reagents:

1. High shear blender
- 20           2. 16 oz wide-mouth plastic jars
3. Lids (fitting 16-oz jars) with pre-drilled holes, 1/4" in diameter in the center and 1/16" in diameter off to side
4. Inoculated urine (see formula and procedure below)
5. Flow meter
- 25           6. Vacuum rated tubing
7. Rubber washers
8. RAE ammonia detection tubes (25 – 500 ppm)
9. Laboratory balance

**[0117]** Procedure:

1. Prepare feces/synthetic urine slurry by combining the following ingredients in Table B below in a blender at high speed for one minute (or until, visually, it seems the feces is well dispersed):

5

**Table B**

<b>Component</b>	<b>% by weight</b>
Water	91.43
Cat feces	1.00
Urea	5.22
Ammonium phosphate dibasic	0.70
Sodium bisulfate	0.45
Ammonia	0.33
Potassium chloride	0.32
Sodium chloride	0.27
Creatinine	0.18
Magnesium chloride	0.06
Creatine	0.03
Calcium chloride	0.02
Total	100.00

2. Transfer 100 g of the feces/synthetic urine slurry into each of the sample jars (three jars per set of samples).
3. Slowly pour in enough test material so the slurry gets entirely absorbed and the excess unsoiled litter particles are settled on the surface of inoculated litter.
4. Allow the samples to sit undisturbed for five minutes and then remove the excess litter by inverting the jars over the trash can and gently tapping off the excess litter particles.
5. Cover each jar with its lid.
6. Evaluate the samples for ammonia every other day (or as needed), starting on day 2.
7. Perform evaluation by first adjusting the vacuum flow to 310 cc/min. using flow meter.
8. Place rubber washer ring on RAE detection tube 0.75" from the tip.
9. Snip glass ends off tube and place vacuum hose on tube (flow arrows on tube pointing toward vacuum hose).

10

15

20



10. Insert RAE tube into the hole in the center of the lid up to the rubber washer. Draw sample air into tube for one minute and record ammonia level.

11. Discontinue testing samples when ammonia is detected at the 100 ppm level (failure).

5 12. Record day of failure.

13. After all three samples per each set have failed, record average day to failure for sample set.

### *Example 1*

[0118] A litter is produced using the manufacturing process shown in FIG. 1. This litter  
10 has the composition shown in Table 1 below:

**Table 1**

<b>Ingredient</b>	<b>% (w/w)</b>	<b>Application Rate (lbs/ton)</b>
Sodium bentonite	64.4	1300
Calcium bentonite	34.7	700
Fragrance slurry	0.3	6
PTFE slurry	0.7	14
Totals	100.0	2020

[0119] The fragrance slurry (coating) is applied only to the sodium bentonite. The fragrance slurry has a composition shown in Table 2 below:

15

**Table 2**

<b>Ingredient</b>	<b>% (w/w)</b>	<b>Amount (lbs/ton)</b>
Water	68.8	1376
Emulsifier	10.0	200
Fragrance	16.9	338
Odor control additive	3.4	68
Colorant	0.9	18
Totals	100.0	2000

The polytetrafluoroethylene (PTFE) slurry (coating) is applied only to the calcium bentonite. The PTFE slurry has a composition shown in Table 3 below:

**Table 3**

<b>Ingredient</b>	<b>% (w/w)</b>	<b>Application Rate (lbs/ton)</b>
Water	98.0	1960
60% PTFE suspension in water	2.0	40
Totals	100.0	2000

Based on information in Table 3, the slurry is 1.2% PTFE (w/w). Based on the information in Tables 1 and 3, PTFE makes up 0.0084 % (w/w) of the litter composition.

### 5 *Example 2*

[0120] A fragrance-free litter is produced using the manufacturing process shown in FIG.

2. This litter has the composition shown in Table 4 below:

**Table 4**

<b>Ingredient</b>	<b>% (w/w)</b>	<b>Application Rate (lbs/ton)</b>
Sodium bentonite	64.5	1300
Calcium bentonite	34.8	700
PTFE slurry	0.7	14
Totals:	100.0	2014

### 10 *Examples 3–49*

[0121] In Examples 3–49 below, the following terms have the following meanings:

% w/w = percentage by weight of the total mixture

PC/lb = particle count per lb of product

PC Dist. = particle count distribution in product as a percentage of the total product

15 Ext. SA = external surface area (ft<sup>2</sup>/lb of product)

Ext. SA Dist. = external surface area distribution in product as a percentage of the total product

[0122] In Examples 3–49 below, tests are conducted on blends of a swelling clay and a non-swelling clay, a swelling clay alone, blends of a swelling clay with paper particles, a blend of a swelling clay with wood fiber particles and blends of a swelling clay with barley grains. The swelling clay used is sodium bentonite from Wyoming from the company Wyo-

20

Ben. The non-swelling clay used is Oil-Dri's Blue Mountain RVM clay (calcium bentonite). Each experimental blend of sodium bentonite and calcium bentonite clay is prepared by weighing out each component into a clean, plastic cat litter bin and blending by hand until uniform. Immediately after blending, about 1,000 grams of each blend is transferred to an appropriately sized plastic container. Next, 20 ml of room temperature tap water is drawn using a transfer pipette and poured over the blend to form a clump. A total of three clumps are formed in each container. The clumps are allowed to sit for 30 seconds and one hour prior to testing. In some cases the clumps are prepared 12, 24 and 36 hours prior to testing. The clump strength is tested using the Standard Drop Method Test. The aluminum pan is lined with a paper towel. The clumps are each tested by placing a clump on the spring loaded hinged platform of the dropping device and releasing the platform to allow the clump to fall into the aluminum pan lined with the paper towel. Each clump was dropped from the height of 12 inches. The clumps are later evaluated visually and rated from 1 to 3 based on the scale shown in FIG. 6. Each blend tested consists of various particle sizes of sodium bentonite and calcium bentonite clay combined at different ratios based on weight. Multiple particle sizes of raw materials are either provided by a supplier or screened using a Sweeco vibrating particle separator with appropriate screens. The particle size distribution of each raw material is confirmed by using a Tyler RoTap mechanical sieve shaker with sieves ranging in size from 6 to 100 U.S. mesh. A solid material used in a mixture of the present invention may be ground to form smaller particles.

[0123] After completion of the particle size analysis, an external surface area of each particle cut is calculated based on an average mesh size of each particle cut, according to an equation:  $4\pi r^2$ . The external surface area calculation is based on a simplifying assumption that each particle is a perfect sphere. The particle count per unit weight of material is calculated according to the ASTM Standard Test Method E 1520-99. The multipliers for 4/6, 6/8, 8/10, 6/10 and <100 mesh particles are extrapolated from a power trendline with the  $R^2=0.9923$  for the plot of the U.S. mesh size versus ASTM multiplier. The particle count is also based on a simplified assumption that all particles are spherical; see FIG. 9.

[0124] Next, a total external surface area of each particle cut was calculated by multiplication of the external surface area value by the number of particles in each cut. Following the surface area calculation, a cumulative external surface of each raw material is calculated per pound of material by summation of the external surface area values of each

particle size cut. Finally, a ratio of a total external surface area of sodium bentonite and Blue Mountain RVM (calcium bentonite) clay per pound of blended material is calculated. After completion of all experiments, the percentage of external surface area as sodium bentonite per pound of product is plotted against the clump strength results for 30 second and 1 hour clumps, as shown in FIG. 10.

[0125] A similar plot was compiled for the percentage of total particle count as sodium bentonite per pound of product versus the clump strength results for 30 second and 1 hour clumps, as shown in FIG. 11.

### *Example 3*

[0126] Blend #1: 65% sodium bentonite (Wyo-Ben sodium bentonite, bulk density 60.15 lb/ft<sup>3</sup>, external surface area 27.39 ft<sup>2</sup>/lb), 35% calcium bentonite (BL-RVM, bulk density 41.5 lb/ft<sup>3</sup>, external surface area 23.47 ft<sup>2</sup>/lb). Information about the sodium bentonite of Blend #1 is provided in Table 1202 of FIG. 12. Information about the calcium bentonite of Blend #1 is provided in Table 1302 of FIG. 13. The average particle size of the sodium bentonite is 484 μm. The average particle size of the calcium bentonite is 905 μm.

[0127] Information about Blend #1 is provided in Table 5 below:

**Table 5**

<b>Component</b>	<b>% w/w</b>	<b>PC/lb</b>	<b>PC Dist.</b>	<b>Ext. SA</b>	<b>Ext. SA Dist.</b>
Sodium bentonite	65.00	8,095,362	84	17.80	68
Calcium bentonite	35.00	1,487,906	16	8.21	32
Totals	100.00	9,583,268	100	26.02	100

Clump strength is tested for samples after using the Standard Drop Method Test described above. Tests are conducted 30 seconds, 1 hour, 12 hours, 24 hours and 36 hours after exposure of the test litter to water. The results of these tests are shown in Table 6 below.

**Table 6—Clump Strength**

	<b>30 sec.</b>	<b>1 hr.</b>	<b>12 hrs.</b>	<b>24 hrs.</b>	<b>36 hrs.</b>
Test 1	1	1	1	1	1
Test 2	1	1	2	1	1
Test 3	2	1	1	2	2
Average	1.3	1.0	1.3	1.3	1.3

**Example 4**

[0128] Blend #2: 65% sodium bentonite (Wyo-Ben sodium bentonite, bulk density 64.4 lb/ft<sup>3</sup>, external surface area 17.48 ft<sup>2</sup>/lb), 35% calcium bentonite (BL-RVM, bulk density 37.1 lb/ft<sup>3</sup>, external surface area 38.44 ft<sup>2</sup>/lb). Information about the sodium bentonite of Blend #2 is provided in Table 1402 of FIG. 14. Information about the calcium bentonite of Blend #2 is provided in Table 1502 of FIG. 15. The average particle size of the sodium bentonite is 794 μm. The average particle size of the calcium bentonite is 949 μm.

[0129] Information about Blend #2 is provided in Table 7 below:

**Table 7**

Component	% w/w	PC/lb	PC Dist.	Ext. SA	Ext. SA Dist.
Sodium bentonite	65.00	1,236,816	26	11.36	46
Calcium bentonite	35.00	3,575,941	74	13.45	54
Totals	100.00	4,812,757	100	24.82	100

10 Clump strength is tested for samples after using the Standard Drop Method Test described above. Tests are conducted 30 seconds, 1 hour, 12 hours, 24 hours and 36 hours after exposure of the test litter to water. The results of these tests are shown in Table 8 below.

**Table 8—Clump Strength**

	30 sec.	1 hr.	12 hrs.	24 hrs.	36 hrs.
Test 1	3	2	1	1	1
Test 2	3	1	2	1	1
Test 3	3	1	1	1	1
Average	1.3	1.3	1.3	1.0	1.0

15 **Example 5**

[0130] Blend #3: 65% sodium bentonite (Wyo-Ben sodium bentonite, bulk density 64.4 lb/ft<sup>3</sup>, external surface area 17.48 ft<sup>2</sup>/lb), 35% calcium bentonite (BL-RVM, bulk density 41.1 lb/ft<sup>3</sup>, external surface area 15.63 ft<sup>2</sup>/lb). Information about the sodium bentonite of Blend #3 is provided in Table 1402 of FIG. 14. Information about the calcium bentonite of Blend #3 is provided in Table 1602 of FIG. 16. The average particle size of the sodium bentonite is 794 μm. The average particle size of the calcium bentonite is 1995 μm.

[0131] Information about Blend #3 is provided in Table 9 below:

Table 9

Component	% w/w	PC/lb	PC Dist.	Ext. SA	Ext. SA Dist.
Sodium bentonite	65.00	1,236,816	39	11.36	68
Calcium bentonite	35.00	1,962,285	61	5.47	32
Totals	100.00	3,199,102	100	16.83	100

Clump strength is tested for samples after using the Standard Drop Method Test described above. Tests are conducted 30 seconds, 1 hour, 12 hours, 24 hours and 36 hours after exposure of the test litter to water. The results of these tests are shown in Table 10 below.

5

Table 10—Clump Strength

	30 sec.	1 hr.	12 hrs.	24 hrs.	36 hrs.
Test 1	1	1	1	1	1
Test 2	1	1	1	1	1
Test 3	1	1	1	1	1
Average	1.0	1.0	1.0	1.0	1.0

**Example 6**

[0132] Blend #4: 50% sodium bentonite (Wyo-Ben sodium bentonite, bulk density 60.15 lb/ft<sup>3</sup>, external surface area 27.39 ft<sup>2</sup>/lb), 50% calcium bentonite (BL-RVM, bulk density 41.5 lb/ft<sup>3</sup>, external surface area 23.47 ft<sup>2</sup>/lb). Information about the sodium bentonite of Blend #4 is provided in Table 1202 of FIG. 12. Information about the calcium bentonite of Blend #4 is provided in Table 1302 of FIG. 13. The average particle size of the sodium bentonite is 484  $\mu$ m. The average particle size of the calcium bentonite is 905  $\mu$ m.

[0133] Information about Blend #4 is provided in Table 11 below:

15

Table 11

Component	% w/w	PC/lb	PC Dist.	Ext. SA	Ext. SA Dist.
Sodium bentonite	50.00	6,227,201	75	13.70	54
Calcium bentonite	50.00	2,125,580	25	11.74	46
Totals	100.00	8,352,781	100	25.43	100

Clump strength is tested for samples after using the Standard Drop Method Test described above. Tests are conducted 30 seconds and 1 hour after exposure of the test litter to water. No tests are conducted 12 hours, 24 hours and 36 hours after exposure of the test litter to water. The results of these tests are shown in Table 12 below.

**Table 12—Clump Strength**

	<b>30 sec.</b>	<b>1 hr.</b>
Test 1	1	1
Test 2	1	1
Test 3	1	1
Average	1.0	1.0

**Example 7**

[0134] Blend #5: 65% sodium bentonite (BPO sodium bentonite, bulk density 64.33 lb/ft<sup>3</sup>, external surface area 15.46 ft<sup>2</sup>/lb), 35% calcium bentonite (BL-RVM, bulk density 37.7 lb/ft<sup>3</sup>, external surface area 35.07 ft<sup>2</sup>/lb). Information about the sodium bentonite of Blend #5 is provided in Table 1702 of FIG. 17. Information about the calcium bentonite of Blend #5 is provided in Table 1802 of FIG. 18. The average particle size of the sodium bentonite is 806  $\mu\text{m}$ . The average particle size of the calcium bentonite is 688  $\mu\text{m}$ .

10 [0135] Information about Blend #5 is provided in Table 13 below:

**Table 13**

<b>Component</b>	<b>% w/w</b>	<b>PC/lb</b>	<b>PC Dist.</b>	<b>Ext. SA</b>	<b>Ext. SA Dist.</b>
Sodium bentonite	65.00	2,263,767	40	10.05	45
Calcium bentonite	35.00	3,422,605	60	12.27	55
Totals	100.00	5,686,371	100	22.33	100

Clump strength is tested for samples after using the Standard Drop Method Test described above. Tests are conducted 30 seconds and 1 hour after exposure of the test litter to water. No tests are conducted 12 hours, 24 hours and 36 hours after exposure of the test litter to water. The results of these tests are shown in Table 14 below.

**Table 14—Clump Strength**

	<b>30 sec.</b>	<b>1 hr.</b>
Test 1	2	2
Test 2	2	1
Test 3	2	1
Average	2.0	1.3

**Example 8**

[0136] Blend #6: 70% sodium bentonite (BPM sodium bentonite, bulk density 64.33 lb/ft<sup>3</sup>, external surface area 15.46 ft<sup>2</sup>/lb), 30% calcium bentonite (BL-RVM, bulk density 37.7 lb/ft<sup>3</sup>, external surface area 35.07 ft<sup>2</sup>/lb). Information about the sodium bentonite of Blend #6 is provided in Table 1702 of FIG. 17. Information about the calcium bentonite of Blend #6 is provided in Table 1802 of FIG. 18. The average particle size of the sodium bentonite is 806 μm. The average particle size of the calcium bentonite is 688 μm.

[0137] Information about Blend #6 is provided in Table 15 below:

**Table 15**

Component	% w/w	PC/lb	PC Dist.	Ext. SA	Ext. SA Dist.
Sodium bentonite	70.00	2,437,903	45	10.82	51
Calcium bentonite	30.00	2,933,661	55	10.52	49
Totals	100.00	5,371,564	100	21.35	100

10 Clump strength is tested for samples after using the Standard Drop Method Test described above. Tests are conducted 30 seconds and 1 hour after exposure of the test litter to water. No tests are conducted 12 hours, 24 hours and 36 hours after exposure of the test litter to water. The results of these tests are shown in Table 16 below.

**Table 16—Clump Strength**

	30 sec.	1 hr.
Test 1	1	1
Test 2	1	1
Test 3	1	1
Average	1.0	1.0

15

**Example 9**

[0138] Blend #7: 50% sodium bentonite (Wyo-Ben Exp. sodium bentonite, bulk density 62.49 lb/ft<sup>3</sup>, external surface area 18.75 ft<sup>2</sup>/lb), 50% calcium bentonite (BL-RVM, bulk density 37.7 lb/ft<sup>3</sup>, external surface area 35.07 ft<sup>2</sup>/lb). Information about the sodium bentonite of Blend #7 is provided in Table 1902 of FIG. 19. Information about the calcium bentonite of Blend #7 is provided in Table 1802 of FIG. 18. The average particle size of the sodium bentonite is 650 μm. The average particle size of the calcium bentonite is 688 μm.

[0139] Information about Blend #7 is provided in Table 17 below:



Table 17

Component	% w/w	PC/lb	PC Dist.	Ext. SA	Ext. SA Dist.
Sodium bentonite	50.00	1,983,882	29	9.38	35
Calcium bentonite	50.00	4,889,435	71	17.53	65
Totals	100.00	6,873,317	100	26.91	100

Clump strength is tested for samples after using the Standard Drop Method Test described above. Tests are conducted 30 seconds and 1 hour after exposure of the test litter to water. No tests are conducted 12 hours, 24 hours and 36 hours after exposure of the test litter to water. The results of these tests are shown in Table 18 below.

Table 18—Clump Strength

	30 sec.	1 hr.
Test 1	3	3
Test 2	3	2
Test 3	3	2
Average	3.0	2.3

**Example 10**

[0140] Blend #8: 60% sodium bentonite (Wyo-Ben Exp. sodium bentonite, bulk density 62.49 lb/ft<sup>3</sup>, external surface area 18.75 ft<sup>2</sup>/lb), 40% calcium bentonite (BL-RVM, bulk density 37.7 lb/ft<sup>3</sup>, external surface area 35.07 ft<sup>2</sup>/lb). Information about the sodium bentonite of Blend #8 is provided in Table 1902 of FIG. 19. Information about the calcium bentonite of Blend #8 is provided in Table 1802 of FIG. 18. The average particle size of the sodium bentonite is 650 μm. The average particle size of the calcium bentonite is 688 μm.

[0141] Information about Blend #8 is provided in Table 19 below:

Table 19

Component	% w/w	PC/lb	PC Dist.	Ext. SA	Ext. SA Dist.
Sodium bentonite	60.00	2,380,658	38	11.25	45
Calcium bentonite	40.00	3,911,548	62	14.03	55
Totals	100.00	6,292,207	100	25.28	100

Clump strength is tested for samples after using the Standard Drop Method Test described above. Tests are conducted 30 seconds and 1 hour after exposure of the test litter to water. No tests are conducted 12 hours, 24 hours and 36 hours after exposure of the test litter to water. The results of these tests are shown in Table 20 below.

**Table 20—Clump Strength**

	<b>30 sec.</b>	<b>1 hr.</b>
Test 1	1	1
Test 2	3	2
Test 3	3	2
Average	2.3	1.7

**Example 11**

- [0142] Blend #9: 70% sodium bentonite (Wyo-Ben Exp. sodium bentonite, bulk density 62.49 lb/ft<sup>3</sup>, external surface area 18.75 ft<sup>2</sup>/lb), 30% calcium bentonite (BL-RVM, bulk density 37.7 lb/ft<sup>3</sup>, external surface area 35.07 ft<sup>2</sup>/lb). Information about the sodium bentonite of Blend #9 is provided in Table 1902 of FIG. 19. Information about the calcium bentonite of Blend #9 is provided in Table 1802 of FIG. 18. The average particle size of the sodium bentonite is 650 μm. The average particle size of the calcium bentonite is 688 μm.
- 10 [0143] Information about Blend #9 is provided in Table 21 below:

**Table 21**

<b>Component</b>	<b>% w/w</b>	<b>PC/lb</b>	<b>PC Dist.</b>	<b>Ext. SA</b>	<b>Ext. SA Dist.</b>
Sodium bentonite	70.00	2,777,435	49	13.13	56
Calcium bentonite	30.00	2,933,661	51	10.52	44
Totals	100.00	5,711,096	100	23.65	100

- Clump strength is tested for samples after using the Standard Drop Method Test described above. Tests are conducted 30 seconds and 1 hour after exposure of the test litter to water. No tests are conducted 12 hours, 24 hours and 36 hours after exposure of the test litter to water. The results of these tests are shown in Table 22 below.
- 15

**Table 22—Clump Strength**

	<b>30 sec.</b>	<b>1 hr.</b>
Test 1	1	1
Test 2	1	1
Test 3	1	1
Average	1.0	1.0

**Example 12**

[0144] Blend #10: 80% sodium bentonite (Wyo-Ben Exp. sodium bentonite, bulk density 62.49 lb/ft<sup>3</sup>, external surface area 18.75 ft<sup>2</sup>/lb), 20% calcium bentonite (BL-RVM, bulk density 37.7 lb/ft<sup>3</sup>, external surface area 35.07 ft<sup>2</sup>/lb). Information about the sodium bentonite of Blend #10 is provided in Table 1902 of FIG. 19. Information about the calcium bentonite of Blend #10 is provided in Table 1802 of FIG. 18. The average particle size of the sodium bentonite is 650 μm. The average particle size of the calcium bentonite is 688 μm.

[0145] Information about Blend #10 is provided in Table 23 below:

**Table 23**

Component	% w/w	PC/lb	PC Dist.	Ext. SA	Ext. SA Dist.
Sodium bentonite	80.00	3,174,211	62	15.00	68
Calcium bentonite	20.00	1,955,774	38	7.01	32
Totals	100.00	5,129,985	100	22.01	100

Clump strength is tested for samples after using the Standard Drop Method Test described above. Tests are conducted 30 seconds and 1 hour after exposure of the test litter to water. No tests are conducted 12 hours, 24 hours and 36 hours after exposure of the test litter to water. The results of these tests are shown in Table 24 below.

**Table 24—Clump Strength**

	30 sec.	1 hr.
Test 1	1	1
Test 2	1	1
Test 3	1	1
Average	1.0	1.0

**Example 13**

[0146] Blend #11: 65% sodium bentonite (Wyo-Ben Exp. sodium bentonite, bulk density 62.49 lb/ft<sup>3</sup>, external surface area 18.75 ft<sup>2</sup>/lb), 35% calcium bentonite (BL-RVM, bulk density 37.7 lb/ft<sup>3</sup>, external surface area 35.07 ft<sup>2</sup>/lb). Information about the sodium bentonite of Blend #11 is provided in Table 1902 of FIG. 19. Information about the calcium bentonite of Blend #11 is provided in Table 1802 of FIG. 18. The average particle size of the sodium bentonite is 650 μm. The average particle size of the calcium bentonite is 688 μm.

[0147] Information about Blend #11 is provided in Table 25 below:

**Table 25**

<b>Component</b>	<b>% w/w</b>	<b>PC/lb</b>	<b>PC Dist.</b>	<b>Ext. SA</b>	<b>Ext. SA Dist.</b>
Sodium bentonite	65.00	2,579,047	43	12.19	50
Calcium bentonite	35.00	3,422,605	57	12.27	50
Totals	100.00	6,001,651	100	24.46	100

Clump strength is tested for samples after using the Standard Drop Method Test described above. Tests are conducted 30 seconds and 1 hour after exposure of the test litter to water. No tests are conducted 12 hours, 24 hours and 36 hours after exposure of the test litter to water. The results of these tests are shown in Table 26 below.

**Table 26—Clump Strength**

	<b>30 sec.</b>	<b>1 hr.</b>
Test 1	1	1
Test 2	1	1
Test 3	1	1
Average	1.0	1.0

**Example 14**

[0148] Blend #12: 50% sodium bentonite (Wyo-Ben sodium bentonite, bulk density 64.2 lb/ft<sup>3</sup>, external surface area 17.13 ft<sup>2</sup>/lb), 50% calcium bentonite (BL-RVM, bulk density 37.7 lb/ft<sup>3</sup>, external surface area 35.07 ft<sup>2</sup>/lb). Information about the sodium bentonite of Blend #12 is provided in Table 2002 of FIG. 20. Information about the calcium bentonite of Blend #12 is provided in Table 1802 of FIG. 18. The average particle size of the sodium bentonite is 799 μm. The average particle size of the calcium bentonite is 688 μm.

[0149] Information about Blend #12 is provided in Table 27 below:

**Table 27**

<b>Component</b>	<b>% w/w</b>	<b>PC/lb</b>	<b>PC Dist.</b>	<b>Ext. SA</b>	<b>Ext. SA Dist.</b>
Sodium bentonite	50.00	2,068,587	30	8.56	33
Calcium bentonite	50.00	4,889,435	70	17.53	67
Totals	100.00	6,958,022	100	26.10	100

Clump strength is tested for samples after using the Standard Drop Method Test described above. Tests are conducted 30 seconds and 1 hour after exposure of the test litter to water. No tests are conducted 12 hours, 24 hours and 36 hours after exposure of the test litter to water. The results of these tests are shown in Table 28 below.

**Table 28—Clump Strength**

	<b>30 sec.</b>	<b>1 hr.</b>
Test 1	3	2
Test 2	2	2
Test 3	3	2
Average	2.7	2.0

**Example 15**

[0150] Blend #13: 60% sodium bentonite (Wyo-Ben sodium bentonite, bulk density 64.2 lb/ft<sup>3</sup>, external surface area 17.13 ft<sup>2</sup>/lb), 40% calcium bentonite (BL-RVM, bulk density 37.7 lb/ft<sup>3</sup>, external surface area 35.07 ft<sup>2</sup>/lb). Information about the sodium bentonite of Blend #13 is provided in Table 2002 of FIG. 20. Information about the calcium bentonite of Blend #13 is provided in Table 1802 of FIG. 18. The average particle size of the sodium bentonite is 799 μm. The average particle size of the calcium bentonite is 688 μm.

[0151] Information about Blend #13 is provided in Table 29 below:

**Table 29**

<b>Component</b>	<b>% w/w</b>	<b>PC/lb</b>	<b>PC Dist.</b>	<b>Ext. SA</b>	<b>Ext. SA Dist.</b>
Sodium bentonite	60.00	2,482,304	39	10.28	42
Calcium bentonite	40.00	3,911,548	61	14.03	58
Totals	100.00	6,393,853	100	24.31	100

Clump strength is tested for samples after using the Standard Drop Method Test described above. Tests are conducted 30 seconds and 1 hour after exposure of the test litter to water. No tests are conducted 12 hours, 24 hours and 36 hours after exposure of the test litter to water. The results of these tests are shown in Table 30 below.

**Table 30—Clump Strength**

	<b>30 sec.</b>	<b>1 hr.</b>
Test 1	2	2
Test 2	2	1
Test 3	1	1
Average	1.7	1.3

**Example 16**

[0152] Blend #14: 70% sodium bentonite (Wyo-Ben sodium bentonite, bulk density 64.2 lb/ft<sup>3</sup>, external surface area 17.13 ft<sup>2</sup>/lb), 30% calcium bentonite (BL-RVM, bulk density 37.7 lb/ft<sup>3</sup>, external surface area 35.07 ft<sup>2</sup>/lb). Information about the sodium bentonite of

Blend #14 is provided in Table 2002 of FIG. 20. Information about the calcium bentonite of Blend #14 is provided in Table 1802 of FIG. 18. The average particle size of the sodium bentonite is 799  $\mu\text{m}$ . The average particle size of the calcium bentonite is 688  $\mu\text{m}$ .

[0153] Information about Blend #14 is provided in Table 31 below:

5

**Table 31**

Component	% w/w	PC/lb	PC Dist.	Ext. SA	Ext. SA Dist.
Sodium bentonite	70.00	2,896,022	50	11.99	53
Calcium bentonite	30.00	2,933,661	50	10.52	47
Totals	100.00	5,829,683	100	22.51	100

Clump strength is tested for samples after using the Standard Drop Method Test described above. Tests are conducted 30 seconds and 1 hour after exposure of the test litter to water. No tests are conducted 12 hours, 24 hours and 36 hours after exposure of the test litter to water. The results of these tests are shown in Table 32 below.

10

**Table 32—Clump Strength**

	30 sec.	1 hr.
Test 1	1	1
Test 2	1	1
Test 3	1	1
Average	1.0	1.0

**Example 17**

[0154] Blend #15: 60% sodium bentonite (Wyo-Ben sodium bentonite, bulk density 64.4  $\text{lb}/\text{ft}^3$ , external surface area 17.48  $\text{ft}^2/\text{lb}$ ), 40% calcium bentonite (BL-RVM, bulk density 41.9  $\text{lb}/\text{ft}^3$ , external surface area 31.60  $\text{ft}^2/\text{lb}$ ). Information about the sodium bentonite of Blend #15 is provided in Table 1402 of FIG. 14. Information about the calcium bentonite of Blend #15 is provided in Table 2102 of FIG. 21. The average particle size of the sodium bentonite is 794  $\mu\text{m}$ . The average particle size of the calcium bentonite is 688  $\mu\text{m}$ .

[0155] Information about Blend #15 is provided in Table 33 below:

Table 33

Component	% w/w	PC/lb	PC Dist.	Ext. SA	Ext. SA Dist.
Sodium bentonite	60.00	1,141,676	21	10.49	45
Calcium bentonite	40.00	4,263,602	79	12.64	55
Totals	100.00	5,405,279	100	23.13	100

Clump strength is tested for samples after using the Standard Drop Method Test described above. Tests are conducted 30 seconds and 1 hour after exposure of the test litter to water. No tests are conducted 12 hours, 24 hours and 36 hours after exposure of the test litter to water. The results of these tests are shown in Table 34 below.

Table 34—Clump Strength

	30 sec.	1 hr.
Test 1	2	2
Test 2	2	2
Test 3	3	1
Average	2.3	1.7

*Example 18*

[0156] Blend #16: 65% sodium bentonite (Wyo-Ben sodium bentonite, bulk density 64.4 lb/ft<sup>3</sup>, external surface area 17.48 ft<sup>2</sup>/lb), 35% calcium bentonite (BL-RVM, bulk density 41.9 lb/ft<sup>3</sup>, external surface area 31.60 ft<sup>2</sup>/lb). Information about the sodium bentonite of Blend #16 is provided in Table 1402 of FIG. 14. Information about the calcium bentonite of Blend #16 is provided in Table 2102 of FIG. 21. The average particle size of the sodium bentonite is 794  $\mu$ m. The average particle size of the calcium bentonite is 688  $\mu$ m.

[0157] Information about Blend #16 is provided in Table 35 below:

Table 35

Component	% w/w	PC/lb	PC Dist.	Ext. SA	Ext. SA Dist.
Sodium bentonite	65.00	1,236,816	25	11.36	51
Calcium bentonite	35.00	3,730,652	75	11.06	49
Totals	100.00	4,967,468	100	22.42	100

Clump strength is tested for samples after using the Standard Drop Method Test described above. Tests are conducted 30 seconds and 1 hour after exposure of the test litter to water. No tests are conducted 12 hours, 24 hours and 36 hours after exposure of the test litter to water. The results of these tests are shown in Table 36 below.

**Table 36—Clump Strength**

	<b>30 sec.</b>	<b>1 hr.</b>
Test 1	1	1
Test 2	1	1
Test 3	1	1
Average	1.0	1.0

**Example 19**

[0158] Blend #17: 50% sodium bentonite (Wyo-Ben sodium bentonite, bulk density 64.4 lb/ft<sup>3</sup>, external surface area 17.48 ft<sup>2</sup>/lb), 50% calcium bentonite (BL-RVM, bulk density 37.1 lb/ft<sup>3</sup>, external surface area 24.04 ft<sup>2</sup>/lb). Information about the sodium bentonite of Blend #17 is provided in Table 1402 of FIG. 14. Information about the calcium bentonite of Blend #17 is provided in Table 1502 of FIG. 15. The average particle size of the sodium bentonite is 794  $\mu$ m. The average particle size of the calcium bentonite is 1117  $\mu$ m.

10 [0159] Information about Blend #17 is provided in Table 37 below:

**Table 37**

<b>Component</b>	<b>% w/w</b>	<b>PC/lb</b>	<b>PC Dist.</b>	<b>Ext. SA</b>	<b>Ext. SA Dist.</b>
Sodium bentonite	50.00	951,397	58	8.74	42
Calcium bentonite	50.00	690,696	42	12.02	58
Totals	100.00	1,642,094	100	20.76	100

Clump strength is tested for samples after using the Standard Drop Method Test described above. Tests are conducted 30 seconds, 1 hour, 12 hours, 24 hours and 36 hours after exposure of the test litter to water. The results of these tests are shown in Table 38 below.

15

**Table 38—Clump Strength**

	<b>30 sec.</b>	<b>1 hr.</b>	<b>12 hrs.</b>	<b>24 hrs.</b>	<b>36 hrs.</b>
Test 1	2	1	1	1	1
Test 2	3	1	1	1	1
Test 3	3	1	1	2	1
Average	2.7	1.0	1.0	1.3	1.0

**Example 20**

[0160] Blend #18: 55% sodium bentonite (Wyo-Ben sodium bentonite, bulk density 64.4 lb/ft<sup>3</sup>, external surface area 17.48 ft<sup>2</sup>/lb), 45% calcium bentonite (BL-RVM, bulk density



37.1 lb/ft<sup>3</sup>, external surface area 24.04 ft<sup>2</sup>/lb). Information about the sodium bentonite of Blend #18 is provided in Table 1402 of FIG. 14. Information about the calcium bentonite of Blend #18 is provided in Table 1502 of FIG. 15. The average particle size of the sodium bentonite is 794 μm. The average particle size of the calcium bentonite is 1117 μm.

5 [0161] Information about Blend #18 is provided in Table 39 below:

**Table 39**

Component	% w/w	PC/lb	PC Dist.	Ext. SA	Ext. SA Dist.
Sodium bentonite	55.00	1,046,537	63	9.61	47
Calcium bentonite	45.00	621,627	37	10.82	53
Totals	100.00	1,668,164	100	20.43	100

Clump strength is tested for samples after using the Standard Drop Method Test described above. Tests are conducted 30 seconds, 1 hour, 12 hours, 24 hours and 36 hours after exposure of the test litter to water. The results of these tests are shown in Table 40 below.

10

**Table 40—Clump Strength**

	30 sec.	1 hr.	12 hrs.	24 hrs.	36 hrs.
Test 1	1	1	1	1	1
Test 2	1	1	1	1	1
Test 3	1	1	1	1	1
Average	1.0	1.0	1.0	1.0	1.0

**Example 21**

[0162] Blend #19: 60% sodium bentonite (Wyo-Ben sodium bentonite, bulk density 64.4 lb/ft<sup>3</sup>, external surface area 17.48 ft<sup>2</sup>/lb), 40% calcium bentonite (BL-RVM, bulk density 37.1 lb/ft<sup>3</sup>, external surface area 24.04 ft<sup>2</sup>/lb). Information about the sodium bentonite of Blend #19 is provided in Table 1402 of FIG. 14. Information about the calcium bentonite of Blend #19 is provided in Table 1502 of FIG. 15. The average particle size of the sodium bentonite is 794 μm. The average particle size of the calcium bentonite is 1117 μm.

[0163] Information about Blend #19 is provided in Table 41 below:

20

**Table 41**

Component	% w/w	PC/lb	PC Dist.	Ext. SA	Ext. SA Dist.
Sodium bentonite	60.00	1,141,676	67	10.49	52
Calcium bentonite	40.00	552,557	33	9.62	48
Totals	100.00	1,694,234	100	20.11	100

Clump strength is tested for samples after using the Standard Drop Method Test described above. Tests are conducted 30 seconds, 1 hour, 12 hours, 24 hours and 36 hours after exposure of the test litter to water. The results of these tests are shown in Table 42 below.

**Table 42—Clump Strength**

	<b>30 sec.</b>	<b>1 hr.</b>	<b>12 hrs.</b>	<b>24 hrs.</b>	<b>36 hrs.</b>
Test 1	1	1	1	1	1
Test 2	1	1	1	1	1
Test 3	1	1	1	1	1
Average	1.0	1.0	1.0	1.0	1.0

5

**Example 22**

[0164] Blend #20: 40% sodium bentonite (Wyo-Ben sodium bentonite, bulk density 64.4 lb/ft<sup>3</sup>, external surface area 17.66 ft<sup>2</sup>/lb), 60% calcium bentonite (BL-RVM, bulk density 46.22 lb/ft<sup>3</sup>, external surface area 14.02 ft<sup>2</sup>/lb). Information about the sodium bentonite of Blend #20 is provided in Table 1402 of FIG. 14. Information about the calcium bentonite of Blend #20 is provided in Table 2202 of FIG. 22. The average particle size of the sodium bentonite is 778 μm. The average particle size of the calcium bentonite is 1960 μm.

10

[0165] Information about Blend #20 is provided in Table 43 below:

**Table 43**

<b>Component</b>	<b>% w/w</b>	<b>PC/lb</b>	<b>PC Dist.</b>	<b>Ext. SA</b>	<b>Ext. SA Dist.</b>
Sodium bentonite	40.00	2,524,423	49	7.06	46
Calcium bentonite	60.00	2,607,640	51	8.41	54
Totals	100.00	5,132,062	100	15.48	100

15

Clump strength is tested for samples after using the Standard Drop Method Test described above. Tests are conducted 30 seconds, 1 hour, 12 hours and 24 hours after exposure of the test litter to water. No tests are conducted 36 hours after exposure of the test litter to water. The results of these tests are shown in Table 44 below.

**Table 44—Clump Strength**

	<b>30 sec.</b>	<b>1 hr.</b>	<b>12 hrs.</b>	<b>24 hrs.</b>
Test 1	1	1	3	1
Test 2	2	1	2	1
Test 3	2	1	1	1
Average	1.7	1.0	2.0	1.0

20

**Example 23**

[0166] Blend #21: 45% sodium bentonite (Wyo-Ben sodium bentonite, bulk density 64.4 lb/ft<sup>3</sup>, external surface area 17.66 ft<sup>2</sup>/lb), 55% calcium bentonite (BL-RVM, bulk density 46.22 lb/ft<sup>3</sup>, external surface area 14.02 ft<sup>2</sup>/lb). Information about the sodium bentonite of Blend #21 is provided in Table 1402 of FIG. 14. Information about the calcium bentonite of Blend #21 is provided in Table 2202 of FIG. 22. The average particle size of the sodium bentonite is 778 μm. The average particle size of the calcium bentonite is 1960 μm.

[0167] Information about Blend #21 is provided in Table 45 below:

**Table 45**

Component	% w/w	PC/lb	PC Dist.	Ext. SA	Ext. SA Dist.
Sodium bentonite	45.00	2,839,975	54	7.95	51
Calcium bentonite	55.00	2,390,336	46	7.71	49
Totals	100.00	5,230,312	100	15.66	100

10 Clump strength is tested for samples after using the Standard Drop Method Test described above. Tests are conducted 30 seconds, 1 hour, 12 hours and 24 hours after exposure of the test litter to water. No tests are conducted 36 hours after exposure of the test litter to water. The results of these tests are shown in Table 46 below.

**Table 46—Clump Strength**

	30 sec.	1 hr.	12 hrs.	24 hrs.
Test 1	1	1	2	1
Test 2	1	1	1	1
Test 3	1	1	1	1
Average	1.0	1.0	1.3	1.0

15

**Example 24**

[0168] Blend #22: 50% sodium bentonite (Wyo-Ben sodium bentonite, bulk density 64.4 lb/ft<sup>3</sup>, external surface area 17.66 ft<sup>2</sup>/lb), 50% calcium bentonite (BL-RVM, bulk density 46.22 lb/ft<sup>3</sup>, external surface area 14.02 ft<sup>2</sup>/lb). Information about the sodium bentonite of Blend #22 is provided in Table 1402 of FIG. 14. Information about the calcium bentonite of Blend #22 is provided in Table 2202 of FIG. 22. The average particle size of the sodium bentonite is 778 μm. The average particle size of the calcium bentonite is 1960 μm.

[0169] Information about Blend #22 is provided in Table 47 below:

**Table 47**

<b>Component</b>	<b>% w/w</b>	<b>PC/lb</b>	<b>PC Dist.</b>	<b>Ext. SA</b>	<b>Ext. SA Dist.</b>
Sodium bentonite	50.00	3,155,528	59	8.83	56
Calcium bentonite	50.00	2,173,033	41	7.01	44
Totals	100.00	5,328,561	100	15.84	100

Clump strength is tested for samples after using the Standard Drop Method Test described above. Tests are conducted 30 seconds, 1 hour, 12 hours and 24 hours after exposure of the test litter to water. No tests are conducted 36 hours after exposure of the test litter to water.

5 The results of these tests are shown in Table 48 below.

**Table 48—Clump Strength**

	<b>30 sec.</b>	<b>1 hr.</b>	<b>12 hrs.</b>	<b>24 hrs.</b>
Test 1	1	1	1	1
Test 2	1	1	1	1
Test 3	1	1	1	1
Average	1.0	1.0	1.0	1.0

**Example 25**

[0170] Blend #23: 55% sodium bentonite (Wyo-Ben sodium bentonite, bulk density 64.86 lb/ft<sup>3</sup>, external surface area 16.33 ft<sup>2</sup>/lb), 45% calcium bentonite (BL-RVM, bulk density 39.75 lb/ft<sup>3</sup>, external surface area 22.80 ft<sup>2</sup>/lb). Information about the sodium bentonite of Blend #23 is provided in Table 2302 of FIG. 23. Information about the calcium bentonite of Blend #23 is provided in Table 2402 of FIG. 24. The average particle size of the sodium bentonite is 832  $\mu$ m. The average particle size of the calcium bentonite is 1094  $\mu$ m.

15 [0171] Information about Blend #23 is provided in Table 49 below:

**Table 49**

<b>Component</b>	<b>% w/w</b>	<b>PC/lb</b>	<b>PC Dist.</b>	<b>Ext. SA</b>	<b>Ext. SA Dist.</b>
Sodium bentonite	55.00	1,227,224	46	8.98	47
Calcium bentonite	45.00	1,424,663	54	10.26	53
Totals	100.00	2,651,887	100	19.24	100

Clump strength is tested for samples after using the Standard Drop Method Test described above. Tests are conducted 30 seconds, 1 hour, 12 hours and 24 hours after exposure of the test litter to water. No tests are conducted 36 hours after exposure of the test litter to water.

20 The results of these tests are shown in Table 50 below.

**Table 50—Clump Strength**

	<b>30 sec.</b>	<b>1 hr.</b>	<b>12 hrs.</b>	<b>24 hrs.</b>
Test 1	1	1	1	1
Test 2	1	1	1	1
Test 3	1	1	1	1
Average	1.0	1.0	1.0	1.0

**Example 26**

[0172] Blend #24: 50% sodium bentonite (Wyo-Ben sodium bentonite, bulk density 63.3 lb/ft<sup>3</sup>, external surface area 17.01 ft<sup>2</sup>/lb), 50% paper granules (paper granule Biodac, bulk density 46.5 lb/ft<sup>3</sup>, external surface area 18.17 ft<sup>2</sup>/lb). The final density of the blend is 55.90 lb/ft<sup>3</sup>. Information about the sodium bentonite of Blend #24 is provided in Table 2502 of FIG. 25. Information about the paper granules of Blend #24 is provided in Table 2602 of FIG. 26. The average particle size of the sodium bentonite is 927 μm. The average particle size of the paper granules is 1224 μm.

[0173] Information about Blend #24 is provided in Table 51 below:

**Table 51**

<b>Component</b>	<b>% w/w</b>	<b>PC/lb</b>	<b>PC Dist.</b>	<b>Ext. SA</b>	<b>Ext. SA Dist.</b>
Sodium bentonite	50.00	4,375,015	94	8.51	48
Paper granules	50.00	274,075	6	9.09	52
Totals	100.00	4,649,090	100	17.59	100

Clump strength is tested for samples after using the Standard Drop Method Test described above. Tests are conducted 30 seconds, 1 hour, 24 hours and 72 hours after exposure of the test litter to synthetic urine. The results of these tests are shown in Table 52 below.

**Table 52—Clump Strength**

	<b>30 sec.</b>	<b>1 hr.</b>	<b>24 hrs.</b>	<b>72 hrs.</b>
Test 1	1	1	1	1
Test 2	2	2	1	1
Test 3	2	2	2	3
Average	1.7	1.7	1.3	1.7

**Example 27**

[0174] Blend #25: 55% sodium bentonite (Wyo-Ben sodium bentonite, bulk density 63.3 lb/ft<sup>3</sup>, external surface area 17.01 ft<sup>2</sup>/lb), 45% paper granules (paper granule Biodac, bulk density 46.5 lb/ft<sup>3</sup>, external surface area 18.17 ft<sup>2</sup>/lb). The final density of the blend is 57.23 lb/ft<sup>3</sup>. Information about the sodium bentonite of Blend #25 is provided in Table 2502 of FIG. 25. Information about the paper granules of Blend #25 is provided in Table 2602 of FIG. 26. The average particle size of the sodium bentonite is 927 μm. The average particle size of the paper granules is 1224 μm.

[0175] Information about Blend #25 is provided in Table 53 below:

10

**Table 53**

Component	% w/w	PC/lb	PC Dist.	Ext. SA	Ext. SA Dist.
Sodium bentonite	55.00	4,812,516	95	9.36	53
Paper granules	45.00	246,668	5	8.18	47
Totals	100.00	5,059,184	100	17.53	100

Clump strength is tested for samples after using the Standard Drop Method Test described above. Tests are conducted 30 seconds, 1 hour, 24 hours and 72 hours after exposure of the test litter to synthetic urine. The results of these tests are shown in Table 54 below.

**Table 54—Clump Strength**

	30 sec.	1 hr.	24 hrs.	72 hrs.
Test 1	1	1	1	1
Test 2	1	1	1	1
Test 3	1	1	1	1
Average	1.0	1.0	1.0	1.0

15

**Example 28**

[0176] Blend #26: 65% sodium bentonite (Wyo-Ben sodium bentonite, bulk density 63.3 lb/ft<sup>3</sup>, external surface area 17.01 ft<sup>2</sup>/lb), 35% paper granules (paper granule Biodac, bulk density 46.5 lb/ft<sup>3</sup>, external surface area 18.17 ft<sup>2</sup>/lb). The final density of the blend is 57.25 lb/ft<sup>3</sup>. Information about the sodium bentonite of Blend #26 is provided in Table 2502 of FIG. 25. Information about the paper granules of Blend #26 is provided in Table 2602 of FIG. 26. The average particle size of the sodium bentonite is 927 μm. The average particle size of the paper granules is 1224 μm.

[0177] Information about Blend #26 is provided in Table 55 below:

**Table 55**

Component	% w/w	PC/lb	PC Dist.	Ext. SA	Ext. SA Dist.
Sodium bentonite	65.00	5,687,519	97	11.06	63
Paper granules	35.00	191,853	3	6.36	37
Totals	100.00	5,879,372	100	17.42	100

Clump strength is tested for samples after using the Standard Drop Method Test described above. Tests are conducted 30 seconds, 1 hour, 24 hours and 72 hours after exposure of the test litter to synthetic urine. The results of these tests are shown in Table 56 below.

**Table 56—Clump Strength**

	30 sec.	1 hr.	24 hrs.	72 hrs.
Test 1	1	1	1	1
Test 2	1	1	1	1
Test 3	1	1	1	1
Average	1.0	1.0	1.0	1.0

**Example 29**

[0178] Blend #27: 70% sodium bentonite (Wyo-Ben sodium bentonite, bulk density 63.3 lb/ft<sup>3</sup>, external surface area 17.01 ft<sup>2</sup>/lb), 30% paper granules (paper granule Biodac, bulk density 46.5 lb/ft<sup>3</sup>, external surface area 18.17 ft<sup>2</sup>/lb). The final density of the blend is 58.45 lb/ft<sup>3</sup>. Information about the sodium bentonite of Blend #27 is provided in Table 2502 of FIG. 25. Information about the paper granules of Blend #27 is provided in Table 2602 of FIG. 26. The average particle size of the sodium bentonite is 927 μm. The average particle size of the paper granules is 1224 μm.

[0179] Information about Blend #27 is provided in Table 57 below:

**Table 57**

Component	% w/w	PC/lb	PC Dist.	Ext. SA	Ext. SA Dist.
Sodium bentonite	70.00	6,125,021	97	11.91	69
Paper granules	30.00	164,445	3	5.45	31
Totals	100.00	6,289,466	100	17.36	100

Clump strength is tested for samples after using the Standard Drop Method Test described above. Tests are conducted 30 seconds, 1 hour, 24 hours and 72 hours after exposure of the test litter to synthetic urine. The results of these tests are shown in Table 58 below.

**Table 58—Clump Strength**

	<b>30 sec.</b>	<b>1 hr.</b>	<b>24 hrs.</b>	<b>72 hrs.</b>
Test 1	1	1	1	1
Test 2	1	1	1	1
Test 3	1	1	1	1
Average	1.0	1.0	1.0	1.0

**Example 30**

[0180] Blend #28: 86% sodium bentonite (Wyo-Ben sodium bentonite, bulk density 63.3 lb/ft<sup>3</sup>, external surface area 17.01 ft<sup>2</sup>/lb), 14% wood fiber particles (bulk density 7.5 lb/ft<sup>3</sup>, external surface area 102.56 ft<sup>2</sup>/lb). The final density of the blend is 41.13 lb/ft<sup>3</sup>. Information about the sodium bentonite of Blend #28 is provided in Table 2502 of FIG. 25. Information about the wood fiber of Blend #28 is provided in Table 2702 of FIG. 27. The average particle size of the sodium bentonite is 927 μm. The average particle size of the wood fiber particles is 1460 μm.

[0181] Information about Blend #28 is provided in Table 59 below:

**Table 59**

<b>Component</b>	<b>% w/w</b>	<b>PC/lb</b>	<b>PC Dist.</b>	<b>Ext. SA</b>	<b>Ext. SA Dist.</b>
Sodium bentonite	86.00	7,525,026	77	14.63	50
Wood fiber	14.00	2,264,048	23	14.36	50
Totals	100.00	9,789,074	100	28.99	100

Clump strength is tested for samples after using the Standard Drop Method Test described above. Tests are conducted 30 seconds, 1 hour, 24 hours and 72 hours after exposure of the test litter to synthetic urine. The results of these tests are shown in Table 60 below.

**Table 60—Clump Strength**

	<b>30 sec.</b>	<b>1 hr.</b>	<b>24 hrs.</b>	<b>72 hrs.</b>
Test 1	1	1	2	1
Test 2	1	1	1	1
Test 3	2	1	3	1
Average	1.3	1.0	2.0	1.0



**Example 31**

[0182] Blend #29: 40% sodium bentonite (Wyo-Ben sodium bentonite, bulk density 63.3 lb/ft<sup>3</sup>, external surface area 17.01 ft<sup>2</sup>/lb), 60% barley grains (bulk density 49.7 lb/ft<sup>3</sup>, external surface area 17.95 ft<sup>2</sup>/lb). The final density of the blend is 56.91 lb/ft<sup>3</sup>. Information about the sodium bentonite of Blend #29 is provided in Table 2502 of FIG. 25. Information about the barley grains of Blend #29 is provided in Table 2802 of FIG. 28. The average particle size of the sodium bentonite is 927 μm. The average particle size of the barley grains is 1321 μm.

[0183] Information about Blend #29 is provided in Table 61 below:

10

**Table 61**

Component	% w/w	PC/lb	PC Dist.	Ext. SA	Ext. SA Dist.
Sodium bentonite	40.00	3,500,012	72	6.80	39
Barley grains	60.00	1,363,828	28	10.77	61
Totals	100.00	4,863,840	100	17.57	100

Clump strength is tested for samples after using the Standard Drop Method Test described above. Tests are conducted 30 seconds, 1 hour, 24 hours and 72 hours after exposure of the test litter to synthetic urine. The results of these tests are shown in Table 62 below.

**Table 62—Clump Strength**

	30 sec.	1 hr.	24 hrs.	72 hrs.
Test 1	2	1	1	1
Test 2	2	1	1	1
Test 3	1	1	1	1
Average	1.7	1.0	1.0	1.0

15

**Example 32**

[0184] Blend #30: 45% sodium bentonite (Wyo-Ben sodium bentonite, bulk density 63.3lb/ft<sup>3</sup>, external surface area 17.01 ft<sup>2</sup>/lb), 55% barley grains (bulk density 49.7 lb/ft<sup>3</sup>, external surface area 17.95 ft<sup>2</sup>/lb). The final density of the blend is 58.13 lb/ft<sup>3</sup>. Information about the sodium bentonite of Blend #30 is provided in Table 2502 of FIG. 25. Information about the barley grains of Blend #30 is provided in Table 2804 of FIG. 28. The average particle size of the sodium bentonite is 927 μm. The average particle size of the barley grains is 1321 μm.

[0185] Information about Blend #30 is provided in Table 63 below:

**Table 63**

Component	% w/w	PC/lb	PC Dist.	Ext. SA	Ext. SA Dist.
Sodium bentonite	45.00	3,937,513	76	7.65	44
Barley grains	55.00	1,250,175	24	9.87	56
Totals	100.00	5,187,689	100	17.53	100

Clump strength is tested for samples after using the Standard Drop Method Test described above. Tests are conducted 30 seconds, 1 hour, 24 hours and 72 hours after exposure of the test litter to synthetic urine. The results of these tests are shown in Table 64 below.

**Table 64—Clump Strength**

	30 sec.	1 hr.	24 hrs.	72 hrs.
Test 1	1	1	1	1
Test 2	1	1	1	1
Test 3	1	1	1	1
Average	1.0	1.0	1.0	1.0

**Example 33**

[0186] Blend #31: 50% sodium bentonite (Wyo-Ben sodium bentonite, bulk density 63.3 lb/ft<sup>3</sup>, external surface area 17.01 ft<sup>2</sup>/lb), 50% barley grains (bulk density 49.7 lb/ft<sup>3</sup>, external surface area 17.95 ft<sup>2</sup>/lb). The final density of the blend is 58.66 lb/ft<sup>3</sup>. Information about the sodium bentonite of Blend #31 is provided in Table 2502 of FIG. 25. Information about the barley grains of Blend #31 is provided in Table 2802 of FIG. 28. The average particle size of the sodium bentonite is 927 μm. The average particle size of the barley grains is 1321 μm.

[0187] Information about Blend #31 is provided in Table 65 below:

**Table 65**

Component	% w/w	PC/lb	PC Dist.	Ext. SA	Ext. SA Dist.
Sodium bentonite	50.00	4,375.015	79	8.51	49
Barley grains	50.00	1,136,523	21	8.97	51
Totals	100.00	5,511,538	100	17.48	100

Clump strength is tested for samples after using the Standard Drop Method Test described above. Tests are conducted 30 seconds, 1 hour, 24 hours and 72 hours after exposure of the test litter to synthetic urine. The results of these tests are shown in Table 66 below.

**Table 66—Clump Strength**

	<b>30 sec.</b>	<b>1 hr.</b>	<b>24 hrs.</b>	<b>72 hrs.</b>
Test 1	2	1	1	1
Test 2	1	1	1	1
Test 3	1	1	1	1
Average	1.3	1.0	1.0	1.0

**Example 34**

[0188] Blend #32: 55% sodium bentonite (engineered light weight sodium bentonite, bulk density 49.66 lb/ft<sup>3</sup>, external surface area 21.00 ft<sup>2</sup>/lb), 45% calcium bentonite (BL-RVM, bulk density 41.1 lb/ft<sup>3</sup>, external surface area 22.06 ft<sup>2</sup>/lb). The final density of the blend is 45.40 lb/ft<sup>3</sup>. Information about the sodium bentonite of Blend #32 is provided in Table 2902 of FIG. 29. Information about the calcium bentonite of Blend #32 is provided in Table 1602 of FIG. 16. The average particle size of the sodium bentonite is 942 μm. The average particle size of the calcium bentonite is 1995 μm.

[0189] Information about Blend #32 is provided in Table 67 below:

**Table 67**

<b>Component</b>	<b>% w/w</b>	<b>PC/lb</b>	<b>PC Dist.</b>	<b>Ext. SA</b>	<b>Ext. SA Dist.</b>
Sodium bentonite	55.00	3,619,874	72	11.55	54
Calcium bentonite	45.00	1,410,439	28	9.93	46
Totals	100.00	5,030,313	100	21.48	100

Clump strength is tested for samples after using the Standard Drop Method Test described above. Tests are conducted 30 seconds, 1 hour, 24 hours and 72 hours after exposure of the test litter to synthetic urine. The results of these tests are shown in Table 68 below.

**Table 68 – Clump Strength**

	<b>30 sec.</b>	<b>1 hr.</b>	<b>24 hrs.</b>	<b>72 hrs.</b>
Test 1	2	1	1	1
Test 2	2	1	1	1
Test 3	2	1	1	1
Average	2.0	1.0	1.0	1.0

**Example 35**

[0190] A litter is prepared that is 100% sodium bentonite (bulk density 63.3 lb/ft<sup>3</sup>, total external surface area 17.01 ft<sup>2</sup>/lb). Information about the sodium bentonite litter is provided in Table 2502 of FIG. 25. The average particle size of the sodium bentonite is 927 μm.

5 [0191] Information about this litter is provided in Table 69 below:

**Table 69**

Component	% w/w	PC/lb	PC Dist.	Ext. SA	Ext. SA Dist.
Sodium bentonite	100.00	8,750,030	100	17.01	100
Total	100.00	8,750,030	100	17.01	100

Clump strength is tested for samples after using the Standard Drop Method Test described above. Tests are conducted 30 seconds, 1 hour, 24 hours and 72 hours after exposure of the test litter to water. The results of these tests are shown in Table 70 below.

10

**Table 70—Clump Strength**

	30 sec.	1 hr.	24 hrs.	72 hrs.
Test 1	1	1	1	1
Test 2	1	1	1	1
Test 3	1	1	1	1
Average	1.0	1.0	1.0	1.0

**Example 36**

[0192] Blend #33: 45% sodium bentonite (Wyo-Ben sodium bentonite, bulk density 65.74 lb/ft<sup>3</sup>, external surface area 17.63 ft<sup>2</sup>/lb), 55% calcium bentonite (BL-RVM, bulk density 42.1 lb/ft<sup>3</sup>, external surface area 21.40 ft<sup>2</sup>/lb). The final density of the blend is 52.03 lb/ft<sup>3</sup>. Information about the sodium bentonite of Blend #33 is provided in Table 3002 of FIG. 30. Information about the calcium bentonite of Blend #33 is provided in Table 3102 of FIG. 31. The average particle size of the sodium bentonite is 775 μm. The average particle size of the calcium bentonite is 1096 μm.

20 [0193] Information about Blend #33 is provided in Table 71 below:

**Table 71**

<b>Component</b>	<b>% w/w</b>	<b>PC/lb</b>	<b>PC Dist.</b>	<b>Ext. SA</b>	<b>Ext. SA Dist.</b>
Sodium bentonite	45.00	860,164	47	7.93	40
Calcium bentonite	55.00	969,778	53	11.77	60
Totals	100.00	1,829,941	100	19.71	100

Clump strength is tested for samples after using the Standard Drop Method Test described above. Tests are conducted 30 seconds, 1 hour, 24 hours and 72 hours after exposure of the test litter to synthetic urine. The results of these tests are shown in Table 72 below.

5

**Table 72—Clump Strength**

	<b>30 sec.</b>	<b>1 hr.</b>	<b>24 hrs.</b>	<b>72 hrs.</b>
Test 1	3	2	1	3
Test 2	2	3	1	1
Test 3	3	1	3	2
Average	2.7	2.0	1.7	2.0

**Example 37**

[0194] Blend #34: 50% sodium bentonite (Wyo-Ben sodium bentonite, bulk density 65.74 lb/ft<sup>3</sup>, external surface area 17.63 ft<sup>2</sup>/lb), 50% calcium bentonite (BL-RVM, bulk density 42.1 lb/ft<sup>3</sup>, external surface area 21.40 ft<sup>2</sup>/lb). The final density of the blend is 53.05 lb/ft<sup>3</sup>. Information about the sodium bentonite of Blend #34 is provided in Table 3002 of FIG. 30. Information about the calcium bentonite of Blend #34 is provided in Table 3102 of FIG. 31. The average particle size of the sodium bentonite is 775 μm. The average particle size of the calcium bentonite is 1096 μm.

15 [0195] Information about Blend #34 is provided in Table 73 below:

**Table 73**

<b>Component</b>	<b>% w/w</b>	<b>PC/lb</b>	<b>PC Dist.</b>	<b>Ext. SA</b>	<b>Ext. SA Dist.</b>
Sodium bentonite	50.00	955,737	52	8.81	45
Calcium bentonite	50.00	881,616	48	10.70	55
Totals	100.00	1,837,353	100	19.52	100

Clump strength is tested for samples after using the Standard Drop Method Test described above. Tests are conducted 30 seconds, 1 hour, 24 hours and 72 hours after exposure of the test litter to synthetic urine. The results of these tests are shown in Table 74 below.

**Table 74—Clump Strength**

	<b>30 sec.</b>	<b>1 hr.</b>	<b>24 hrs.</b>	<b>72 hrs.</b>
Test 1	1	2	1	2
Test 2	1	2	1	1
Test 3	2	1	2	3
Average	1.3	1.7	1.3	2.0

**Example 38**

[0196] Blend #35: 55% sodium bentonite (Wyo-Ben sodium bentonite, bulk density 65.74 lb/ft<sup>3</sup>, external surface area 17.63 ft<sup>2</sup>/lb), 45% calcium bentonite (BL-RVM, bulk density 42.1 lb/ft<sup>3</sup>, external surface area 21.40 ft<sup>2</sup>/lb). The final density of the blend is 54.13 lb/ft<sup>3</sup>. Information about the sodium bentonite of Blend #35 is provided in Table 3002 of FIG. 30. Information about the calcium bentonite of Blend #35 is provided in Table 3102 of FIG. 31. The average particle size of the sodium bentonite is 775 μm. The average particle size of the calcium bentonite is 1096 μm.

[0197] Information about Blend #35 is provided in Table 75 below:

**Table 75**

<b>Component</b>	<b>% w/w</b>	<b>PC/lb</b>	<b>PC Dist.</b>	<b>Ext. SA</b>	<b>Ext. SA Dist.</b>
Sodium bentonite	55.00	1,051,311	57	9.70	50
Calcium bentonite	45.00	793,455	43	9.63	50
Totals	100.00	1,844,766	100	19.33	100

Clump strength is tested for samples after using the Standard Drop Method Test described above. Tests are conducted 30 seconds, 1 hour, 24 hours and 72 hours after exposure of the test litter to synthetic urine. The results of these tests are shown in Table 76 below.

**Table 76—Clump Strength**

	<b>30 sec.</b>	<b>1 hr.</b>	<b>24 hrs.</b>	<b>72 hrs.</b>
Test 1	1	1	1	1
Test 2	1	1	1	3
Test 3	1	1	1	1
Average	1.0	1.0	1.0	1.7

**Example 39**

[0198] Blend #36: 60% sodium bentonite (Wyo-Ben sodium bentonite, bulk density 65.74 lb/ft<sup>3</sup>, external surface area 17.63 ft<sup>2</sup>/lb), 40% calcium bentonite (BL-RVM, bulk density 42.1 lb/ft<sup>3</sup>, external surface area 21.40 ft<sup>2</sup>/lb). The final density of the blend is 54.21 lb/ft<sup>3</sup>. Information about the sodium bentonite of Blend #36 is provided in Table 3002 of FIG. 30. Information about the calcium bentonite of Blend #36 is provided in Table 3102 of FIG. 31. The average particle size of the sodium bentonite is 775 μm. The average particle size the calcium bentonite is 1096 μm.

[0199] Information about Blend #36 is provided in Table 77 below:

10

**Table 77**

Component	% w/w	PC/lb	PC Dist.	Ext. SA	Ext. SA Dist.
Sodium bentonite	60.00	1,146,885	62	10.58	55
Calcium bentonite	40.00	705,293	38	8.56	45
Totals	100.00	1,852,178	100	19.14	100

Clump strength is tested for samples after using the Standard Drop Method Test described above. Tests are conducted 30 seconds, 1 hour, 24 hours and 72 hours after exposure of the test litter to synthetic urine. The results of these tests are shown in Table 78 below.

**Table 78—Clump Strength**

	30 sec.	1 hr.	24 hrs.	72 hrs.
Test 1	1	1	1	1
Test 2	1	1	1	1
Test 3	1	1	1	1
Average	1.0	1.0	1.0	1.0

15

**Example 40**

[0200] Blend #37: 45% sodium bentonite (Wyo-Ben sodium bentonite, bulk density 65.74 lb/ft<sup>3</sup>, external surface area 17.63 ft<sup>2</sup>/lb), 55% calcium bentonite (BL-RVM, bulk density 42.1 lb/ft<sup>3</sup>, external surface area 21.40 ft<sup>2</sup>/lb). The final density of the blend is 52.30 lb/ft<sup>3</sup>. Information about the sodium bentonite of Blend #37 is provided in Table 3002 of FIG. 30. Information about the calcium bentonite of Blend #37 is provided in Table 3102 of FIG. 31. The average particle size of the sodium bentonite is 775 μm. The average particle size of the calcium bentonite is 1096 μm.

[0201] Information about Blend #37 is provided in Table 79 below:

**Table 79**

Component	% w/w	PC/lb	PC Dist.	Ext. SA	Ext. SA Dist.
Sodium bentonite	45.00	860,164	47	7.93	40
Calcium bentonite	55.00	969,778	53	11.77	60
Totals	100.00	1,829,941	100	19.71	100

Clump strength is tested for samples after using the Standard Drop Method Test described above. Tests are conducted 30 seconds, 1 hour, 24 hours and 72 hours after exposure of the test litter to synthetic urine. The results of these tests are shown in Table 80 below.

**Table 80—Clump Strength**

	30 sec.	1 hr.	24 hrs.	72 hrs.
Test 1	3	2	1	3
Test 2	1	2	1	1
Test 3	2	2	1	1
Average	2.0	2.0	1.0	1.7

**Example 41**

[0202] Blend #38: 50% sodium bentonite (Wyo-Ben sodium bentonite, bulk density 65.74 lb/ft<sup>3</sup>, external surface area 17.63 ft<sup>2</sup>/lb), 50% PTFE-coated calcium bentonite (BL-RVM coated with 40 lbs of 1.2% PTFE solution per ton of clay, bulk density prior to coating 42.1 lb/ft<sup>3</sup>, external surface area prior to coating 21.40 ft<sup>2</sup>/lb). The final density of the blend is 53.13 lb/ft<sup>3</sup>. Information about the sodium bentonite of Blend #38 is provided in Table 3002 of FIG. 30. Information about the calcium bentonite of Blend #38 is provided in Table 3102 of FIG. 31. The average particle size of the sodium bentonite is 775 μm. The average particle size of the calcium bentonite is 1096 μm.

[0203] Information about Blend #38 is provided in Table 81 below:

**Table 81**

Component	% w/w	PC/lb	PC Dist.	Ext. SA	Ext. SA Dist.
Sodium bentonite	50.00	955,737	52	8.81	45
PTFE-coated calcium bentonite	50.00	881,616	48	10.70	55
Totals	100.00	1,837,353	100	19.52	100



Clump strength is tested for samples after using the Standard Drop Method Test described above. Tests are conducted 30 seconds, 1 hour, 24 hours and 72 hours after exposure of the test litter to synthetic urine. The results of these tests are shown in Table 82 below.

**Table 82—Clump Strength**

	<b>30 sec.</b>	<b>1 hr.</b>	<b>24 hrs.</b>	<b>72 hrs.</b>
Test 1	1	2	1	2
Test 2	1	1	1	1
Test 3	2	3	2	3
Average	1.3	2.0	1.3	2.0

5

**Example 42**

[0204] Blend #39: 55% sodium bentonite (Wyo-Ben sodium bentonite, bulk density 65.74 lb/ft<sup>3</sup>, external surface area 17.63 ft<sup>2</sup>/lb), 45% PTFE-coated calcium bentonite (BL-RVM coated with 40 lbs of 1.2% PTFE solution per ton of clay, bulk density prior to coating 42.1 lb/ft<sup>3</sup>, external surface area prior to coating 21.40 ft<sup>2</sup>/lb). The final density of the blend is 54.27 lb/ft<sup>3</sup>. Information about the sodium bentonite of Blend #39 is provided in Table 3002 of FIG. 30. Information about the calcium bentonite of Blend #39 is provided in Table 3102 of FIG. 31. The average particle size of the sodium bentonite is 775 μm. The average particle size of the calcium bentonite is 1096 μm.

15 [0205] Information about Blend #39 is provided in Table 83 below:

**Table 83**

<b>Component</b>	<b>% w/w</b>	<b>PC/lb</b>	<b>PC Dist.</b>	<b>Ext. SA</b>	<b>Ext. SA Dist.</b>
Sodium bentonite	55.00	1,051,311	57	9.70	50
PTFE-coated calcium bentonite	45.00	793,455	43	9.63	50
Totals	100.00	1,844,766	100	19.33	100

Clump strength is tested for samples after using the Standard Drop Method Test described above. Tests are conducted 30 seconds, 1 hour, 24 hours and 72 hours after exposure of the test litter to synthetic urine. The results of these tests are shown in Table 84 below.

**Table 84—Clump Strength**

	<b>30 sec.</b>	<b>1 hr.</b>	<b>24 hrs.</b>	<b>72 hrs.</b>
Test 1	1	1	1	1
Test 2	1	2	1	2
Test 3	1	3	1	1
Average	1.0	2.0	1.0	1.3

**Example 43**

[0206] Blend #40: 60% sodium bentonite (Wyo-Ben sodium bentonite, bulk density 65.74 lb/ft<sup>3</sup>, external surface area 17.63 ft<sup>2</sup>/lb), 40% PTFE-coated calcium bentonite (BL-RVM coated with 40 lbs of 1.2% PTFE solution per ton of clay, bulk density prior to coating 42.1 lb/ft<sup>3</sup>, external surface area prior to coating 21.40 ft<sup>2</sup>/lb). The final density of the blend is 54.50 lb/ft<sup>3</sup>. Information about the sodium bentonite of Blend #40 is provided in Table 3002 of FIG. 30. Information about the calcium bentonite of Blend #40 is provided in Table 3102 of FIG. 31. The average particle size of the sodium bentonite is 775 μm. The average particle size of the calcium bentonite is 1096 μm.

[0207] Information about Blend #40 is provided in Table 85 below:

**Table 85**

<b>Component</b>	<b>% w/w</b>	<b>PC/lb</b>	<b>PC Dist.</b>	<b>Ext. SA</b>	<b>Ext. SA Dist.</b>
Sodium bentonite	60.00	1,146,885	62	10.58	55
PTFE-coated calcium bentonite	40.00	705,293	38	8.56	45
Totals	100.00	1,852,178	100	19.14	100

Clump strength is tested for samples after using the Standard Drop Method Test described above. Tests are conducted 30 seconds, 1 hour, 24 hours and 72 hours after exposure of the test litter to synthetic urine. The results of these tests are shown in Table 86 below.

**Table 86—Clump Strength**

	<b>30 sec.</b>	<b>1 hr.</b>	<b>24 hrs.</b>	<b>72 hrs.</b>
Test 1	1	2	1	1
Test 2	1	1	1	1
Test 3	1	1	1	1
Average	1.0	1.3	1.0	1.0

**Example 44**

[0208] Blend #41: 65% sodium bentonite (Wyo-Ben sodium bentonite, bulk density 63.3 lb/ft<sup>3</sup>, external surface area 17.01 ft<sup>2</sup>/lb), 35% attapulgite (GA-RVM, bulk density 32.5 lb/ft<sup>3</sup>, external surface area 27.95 ft<sup>2</sup>/lb). Information about the sodium bentonite of Blend #41 is provided in Table 2502 of FIG. 25. Information about the attapulgite of Blend #41 is provided in Table 3202 of FIG. 32. The average particle size of the sodium bentonite is 927 μm. The average particle size of the attapulgite is 1099 μm.

[0209] Information about Blend #41 is provided in Table 87 below:

**Table 87**

Component	% w/w	PC/lb	PC Dist.	Ext. SA	Ext. SA Dist.
Sodium bentonite	65.00	5,687,519	90	11.06	53
Attapulgite	35.00	643,102	10	9.78	47
Totals	100.00	6,330,621	100	20.84	100

10 Clump strength is tested for samples after using the Standard Drop Method Test described above. Tests are conducted 30 seconds, 1 hour, 24 hours and 72 hours after exposure of the test litter to synthetic urine. The results of these tests are shown in Table 88 below.

**Table 88—Clump Strength**

	30 sec.	1 hr.	24 hrs.	72 hrs.
Test 1	2	1	1	1
Test 2	1	1	1	1
Test 3	1	1	1	1
Average	1.3	1.0	1.0	1.0

15 **Example 45**

[0210] Blend #42: 60% sodium bentonite (Wyo-Ben sodium bentonite, bulk density 63.3 lb/ft<sup>3</sup>, external surface area 17.01 ft<sup>2</sup>/lb), 40% attapulgite (GA-RVM, bulk density 32.5 lb/ft<sup>3</sup>, external surface area 27.95 ft<sup>2</sup>/lb). Information about the sodium bentonite of Blend #42 is provided in Table 2502 of FIG. 25. Information about the attapulgite of Blend #42 is provided in Table 3202 of FIG. 32. The average particle size of the sodium bentonite is 927 μm. The average particle size of the attapulgite is 1099 μm.

[0211] Information about Blend #42 is provided in Table 89 below:

**Table 89**

<b>Component</b>	<b>% w/w</b>	<b>PC/lb</b>	<b>PC Dist.</b>	<b>Ext. SA</b>	<b>Ext. SA Dist.</b>
Sodium bentonite	60.00	5,250,018	88	10.21	48
Attapulgite	40.00	734,973	12	11.18	52
Totals	100.00	5,984,991	100	21.39	100

Clump strength is tested for samples after using the Standard Drop Method Test described above. Tests are conducted 30 seconds, 1 hour, 24 hours and 72 hours after exposure of the test litter to synthetic urine. The results of these tests are shown in Table 90 below.

5

**Table 90—Clump Strength**

	<b>30 sec.</b>	<b>1 hr.</b>	<b>24 hrs.</b>	<b>72 hrs.</b>
Test 1	2	1	1	1
Test 2	1	1	1	1
Test 3	1	1	1	1
Average	1.3	1.0	1.0	1.0

**Example 46**

[0212] Blend #43: 55% sodium bentonite (Wyo-Ben sodium bentonite, bulk density 63.3 lb/ft<sup>3</sup>, external surface area 17.01 ft<sup>2</sup>/lb), 45% attapulgite (GA-RVM, bulk density 32.5 lb/ft<sup>3</sup>, external surface area 27.95 ft<sup>2</sup>/lb). Information about the sodium bentonite of Blend #43 is provided in Table 2502 of FIG. 25. Information about the attapulgite of Blend #43 is provided in Table 3202 of FIG. 32. The average particle size of the sodium bentonite is 927  $\mu$ m. The average particle size of the attapulgite is 1099  $\mu$ m.

[0213] Information about Blend #43 is provided in Table 91 below:

15

**Table 91**

<b>Component</b>	<b>% w/w</b>	<b>PC/lb</b>	<b>PC Dist.</b>	<b>Ext. SA</b>	<b>Ext. SA Dist.</b>
Sodium bentonite	55.00	4,812,516	85	9.36	43
Attapulgite	45.00	826,845	15	12.58	57
Totals	100.00	5,639,362	100	21.93	100

Clump strength is tested for samples after using the Standard Drop Method Test described above. Tests are conducted 30 seconds, 1 hour, 24 hours and 72 hours after exposure of the test litter to synthetic urine. The results of these tests are shown in Table 92 below.

**Table 92—Clump Strength**

	<b>30 sec.</b>	<b>1 hr.</b>	<b>24 hrs.</b>	<b>72 hrs.</b>
Test 1	1	1	2	1
Test 2	3	1	1	1
Test 3	1	1	1	1
Average	1.7	1.0	1.3	1.0

**Example 47**

[0214] Blend #44: 60% sodium bentonite (Wyo-Ben sodium bentonite, bulk density 63.3 lb/ft<sup>3</sup>, external surface area 17.01 ft<sup>2</sup>/lb), 40% Taft clay (TF-RVM, bulk density 40.0 lb/ft<sup>3</sup>, external surface area 24.22 ft<sup>2</sup>/lb). Information about the sodium bentonite of Blend #44 is provided in Table 2502 of FIG. 25. Information about the attapulgite of Blend #44 is provided in Table 3302 of FIG. 33. The average particle size of the sodium bentonite is 927  $\mu$ m. The average particle size of the Taft clay is 1050  $\mu$ m.

10 [0215] Information about Blend #44 is provided in Table 93 below:

**Table 93**

<b>Component</b>	<b>% w/w</b>	<b>PC/lb</b>	<b>PC Dist.</b>	<b>Ext. SA</b>	<b>Ext. SA Dist.</b>
Sodium bentonite	60.00	5,250,018	65	10.21	51
Taft clay	40.00	2,860,640	35	9.69	49
Totals	100.00	8,110,658	100	19.89	100

Clump strength is tested for samples after using the Standard Drop Method Test described above. Tests are conducted 30 seconds and 1 hour after exposure of the test litter to synthetic urine. The results of these tests are shown in Table 94 below.

15

**Table 94—Clump Strength**

	<b>30 sec.</b>	<b>1 hr.</b>
Test 1	1	1
Test 2	1	1
Test 3	1	1
Average	1.0	1.0

**Example 48**

[0216] Blend #45: 55% sodium bentonite (Wyo-Ben sodium bentonite, bulk density 63.3 lb/ft<sup>3</sup>, external surface area 17.01 ft<sup>2</sup>/lb), 45% Taft clay (TF-RVM, bulk density

40.0 lb/ft<sup>3</sup>, external surface area 24.22 ft<sup>2</sup>/lb). Information about the sodium bentonite of Blend #45 is provided in Table 2502 of FIG. 25. Information about the attapulgite of Blend #45 is provided in Table 3302 of FIG. 33. The average particle size of the sodium bentonite is 927 μm. The average particle size of the Taft clay is 1050 μm.

- 5 [0217] Information about Blend #45 is provided in Table 95 below:

**Table 95**

Component	% w/w	PC/lb	PC Dist.	Ext. SA	Ext. SA Dist.
Sodium bentonite	50.00	4,375,015	55	8.51	41
Taft clay	50.00	3,575,800	45	12.11	59
Totals	100.00	7,950,815	100	20.61	100

Clump strength is tested for samples after using the Standard Drop Method Test described above. Tests are conducted 30 seconds and 1 hour after exposure of the test litter to synthetic urine. The results of these tests are shown in Table 96 below.

10

**Table 96—Clump Strength**

	30 sec.	1 hr.
Test 1	2	1
Test 2	2	1
Test 3	2	1
Average	2.0	1.0

**Example 49**

- 15 [0218] Blend #46: 50% sodium bentonite (Wyo-Ben sodium bentonite, bulk density 63.3 lb/ft<sup>3</sup>, external surface area 17.01 ft<sup>2</sup>/lb), 50% Taft clay (TF-RVM, bulk density 40.0 lb/ft<sup>3</sup>, external surface area 24.22 ft<sup>2</sup>/lb). Information about the sodium bentonite of Blend #46 is provided in Table 2502 of FIG. 25. Information about the attapulgite of Blend #46 is provided in Table 3302 of FIG. 33. The average particle size of the sodium bentonite is 927 μm. The average particle size of the Taft clay is 1050 μm.

- [0219] Information about Blend #46 is provided in Table 97 below:

Table 97

Component	% w/w	PC/lb	PC Dist.	Ext. SA	Ext. SA Dist.
Sodium bentonite	55.00	4,812,516	60	9.36	46
Taft clay	45.00	3,218,220	40	10.90	54
Totals	100.00	8,030,737	100	20.25	100

Clump strength is tested for samples after using the Standard Drop Method Test described above. Tests are conducted 30 seconds and 1 hour after exposure of the test litter to synthetic urine. The results of these tests are shown in Table 98 below.

5

Table 98—Clump Strength

	30 sec.	1 hr.
Test 1	1	1
Test 2	1	1
Test 3	1	1
Average	1.0	1.0

#### *Results and Conclusions from Examples 3–49*

[0220] Based on the results of Examples 3–25, 34 and 36–43, sodium bentonite/calcium bentonite clay blends with 47% or more of the total external surface area coming from sodium bentonite particles tested 1.0 (clumps intact) for clump strength at 30 seconds except for Blend #1 of Example 3 which tested 1.3 based on an average of 3 clumps. All of the blends with 47% or more of the total external surface area coming from sodium bentonite tested 1.0 for 1-hour clumps. The sodium bentonite/calcium bentonite blends have clumpability similar to the clumpability of the sodium bentonite alone (see Example 35 above).

[0221] Therefore, Examples 3–25 and 34–43 show that it is possible to form sodium bentonite/calcium bentonite blends having clumpability similar to the sodium bentonite wherein 50% or less, or even as little as 47%, of the total external surface area of all the particles in the blend are from sodium bentonite particles.

[0222] All remaining blends with 33% to 46% of the total external surface area coming from sodium bentonite tested between 1.7 and 3.0 (slight to moderate breakage) for 30-second clumps, and 1.0 to 2.3 (clump intact to slight breakage) for 1-hour clumps.

[0223] A direct relationship is found between clumping and percentage total external surface area of swelling clay in a swelling/non-swelling clay blend. A minimum of 47% of

the total external surface area of all particles in a swelling/non-swelling clay blend needs to originate from the swelling clay in order for the product to form strong clumps at 30 seconds upon wetting. As the percentage total external surface area of swelling clay in a swelling/non-swelling clay blend increases, the clump strength also increases. The longer the clumps are allowed to sit prior to testing, the stronger they get.

[0224] Examples 36–43 show that sodium bentonite/calcium bentonite blends in which the calcium bentonite are coated with PTFE (Examples 41–43) have similar clumpability properties to sodium bentonite/calcium bentonite blends in which the calcium bentonite is uncoated (Examples 36–40).

10 [0225] Examples 26–33 show that sodium bentonite/paper granule blends (Examples 26–29), a sodium bentonite/wood fiber particle blend (Example 30) and sodium bentonite/barley grain blends (Examples 31–33) with 47% or more of the total external surface area coming from sodium bentonite particles have clumpability similar to the clumpability of the sodium bentonite alone (see Example 35 above).

15 [0226] Examples 44–46 show that sodium bentonite/attapulgite blends with 47% or more of the total external surface area coming from sodium bentonite particles have clumpability similar to the clumpability of the sodium bentonite alone (see Example 35 above).

[0227] Examples 47–49 show that sodium bentonite/Taft clay blends with 47% or more of the total external surface area coming from sodium bentonite particles have clumpability similar to the clumpability of the sodium bentonite alone (see Example 35 above).

### *Example 50*

[0228] Ten litter mixtures are prepared having the following compositions:

Litter 1: 100% sodium bentonite/calcium bentonite blend.

25 Litter 2: 99.75% sodium bentonite/calcium bentonite blend, 0.25% xanthan gum (fine mesh). For this litter, fine mesh refers to a minimum of 70% of the particles passing through 200-mesh sieve. The clumping additive xanthan gum is added to the final blend.

Litter 3: 99.75% sodium bentonite/calcium bentonite blend, 0.25% sodium carboxymethyl cellulose (fine mesh). For this litter, “fine mesh” refers to a



maximum of the 20% of the particles remaining on 200-mesh sieve. The clumping additive sodium carboxymethyl cellulose is added to the final blend.

5 Litter 4: 99.75% sodium bentonite/calcium bentonite blend, 0.25% guar gum (fine mesh). For this litter, “fine mesh” refers to a minimum of 90% of the particles passing through 270-mesh sieve. The clumping additive guar gum is added to the final blend.

10 Litter 5: 99.5% sodium bentonite/calcium bentonite blend, 0.5% guar gum (fine mesh). For this litter, “fine mesh” refers to a minimum of 90% of the particles passing through 270-mesh sieve. The clumping additive guar gum is added to the final blend.

Litter 6: 99.5% sodium bentonite/calcium bentonite blend, 0.5% guar gum (coarse mesh). For this litter, “coarse mesh” refers to a maximum of 20% of the particles passing through 200-mesh sieve. The clumping additive guar gum is added to the final blend.

15 Litter 7: 99.5% sodium bentonite/calcium bentonite blend, 0.5% sodium carboxymethyl cellulose (medium mesh). For this litter, “medium mesh” refers to 40% to 75% of the particles being retained on a 200-mesh sieve. The clumping additive sodium carboxymethyl cellulose is added to the final blend.

20 Litter 8: 99.5% sodium bentonite/calcium bentonite blend, 0.5% sodium carboxymethyl cellulose (coarse mesh). For this litter, “coarse mesh” refers to a minimum of 85% of the particles being retained on 200-mesh sieve. The clumping additive sodium carboxymethyl cellulose is added to the final blend.

25 Litter 9: 99.5% sodium bentonite/calcium bentonite blend, 0.5% psyllium 95%. Psyllium 95% is a psyllium husk powder that is 95% pure (medium mesh). For this litter, “medium mesh” refers to an average particle size of 40-mesh. The clumping additive psyllium is added to the final blend.

Litter 10: 99.5% sodium bentonite/calcium bentonite blend, 0.5% psyllium 95% (fine mesh). For this litter, “fine mesh” refers to an average particle size of 100-mesh. The clumping additive psyllium is added to the final blend.

30 **[0229]** In all of the above litters, the ratio of sodium bentonite to calcium bentonite in the sodium bentonite/calcium bentonite blend is 65% sodium bentonite to 35% calcium

bentonite. In all of the above litters, the sodium bentonite is coated with a fragrance slurry coating having the composition shown in Table 2 of Example 1. In all of the above litters, the calcium bentonite is coated with a PTFE slurry coating having the composition shown in Table 3 of Example 1. The granulation size (fine, medium and coarse) for the clumping additives is defined by the suppliers of the clumping additive. Because the suppliers for the different clumping additives are different, the particle size specifications vary.

[0230] Table 99 below shows the results of a clump strength test with synthetic urine using the Standard Drop Method Test described above using the average of 3 drops for each clump strength value. Tests are conducted 30 seconds, 1 hour, 24 hours and 72 hours after exposure of the test litter to synthetic urine.

**Table 99—Clump Strength using Standard Drop Method Test**

Litter	30 sec.	1 hr.	24 hrs.	72 hrs.	Average
1	1.0	1.0	1.0	1.0	1.0
2	1.0	1.0	1.0	1.0	1.0
3	1.0	1.0	1.0	1.0	1.0
4	1.0	1.0	1.0	1.0	1.0
5	1.0	1.0	1.0	1.0	1.0
6	1.0	1.0	1.0	1.0	1.0
7	1.0	1.0	1.0	1.0	1.0
8	1.0	1.0	1.0	1.0	1.0
9	1.0	1.0	1.0	1.0	1.0
10	1.0	1.0	1.0	1.0	1.0

[0231] Table 100 below shows the results a clump strength test with synthetic urine using the Extreme Drop Method described above using the average of 3 drops for each clump strength value. Tests are conducted 30 seconds, 1 hour, 24 hours and 72 hours after exposure of the test litter to synthetic urine.

**Table 100—Clump Strength using Extreme Drop Method Test**

Litter	30 sec.	1 hr.	24 hrs.	72 hrs.	Average
1	3.0	1.7	1.7	1.7	2.0
2	1.0	1.0	1.0	1.0	1.0
3	1.0	1.0	1.0	1.0	1.0
4	1.0	1.0	1.0	1.0	1.0
5	1.0	1.0	1.0	1.0	1.0
6	3.0	2.0	1.0	1.0	1.8
7	1.3	1.3	1.0	1.0	1.2
8	1.7	1.0	1.0	1.3	1.3
9	3.0	2.3	1.7	1.0	2.0
10	2.3	2.3	1.3	1.0	1.7

**Example 51**

[0232] Three litters are tested for odor control properties using the Magic Cat Box method described above. Litter A is an untreated sodium bentonite litter. Litter B is an untreated calcium bentonite litter. Litter C is an untreated 65/35 mixture of sodium bentonite and calcium bentonite (65% sodium bentonite, 35% calcium bentonite). The results of these tests are shown in Tables 101, 102 and 103 below and in plot 3402 of FIG. 34.

**Table 101—Odor Control Litter A**

Day	Sample 1	Sample 2	Sample 3	Average
0	0	0	0	0
1	10	10	5	8
2	10	10	5	8
3	10	10	5	8
7	50	30	65	48
8	60	40	80	60
10	90	70	130	97
11	130	140	160	143

**Table 102—Odor Control Litter B**

Day	Sample 1	Sample 2	Sample 3	Average
0	0	0	0	0
1	0	0	0	0
2	0	0	0	0
3	0	0	0	0
7	35	50	25	37
8	180	160	80	140
10	270	220	130	207

**Table 103—Odor Control Litter C**

Day	Sample 1	Sample 2	Sample 3	Average
0	0	0	0	0
1	0	0	0	0
2	0	0	0	0
3	0	0	0	0
7	25	25	25	25
8	25	25	25	25
10	60	60	50	57
11	90	90	70	83
14	220	210	210	213

- 5 [0233] In plot 3402, the squares are for Litter A (sodium bentonite, NaB), the circles are for Litter B (10/24 BL RVM clay, BL) and the triangles are for Litter C (65/35 blend, 65/35).

### *Example 52*

- [0234] Three litters are prepared and poured into boxes using the apparatus of FIG. 3.  
10 Each litter is 65% sodium bentonite and 35% calcium bentonite. Ten samples are taken from each litter and the density of each sample is determined using the Loose-Fill (O'Haus) Method described above.

- [0235] Samples are taken from the top (sample 1) to the bottom (sample 2) of each box. Results of these density measurements are provided in Table 104 below.

Table 104—Density Measurements

Sample #	Density, lbs/ft <sup>3</sup>		
	Box #1	Box #2	Box #3
1 (top)	55.6	56.5	56.4
2	56.2	56.3	55.9
3	56.3	57.3	57.3
4	56.9	57.5	56.4
5	56.9	57.2	56.7
6	57.1	58.3	58.2
7	57.2	58.3	57.8
8	57.1	58.5	57.8
9	55.9	57.7	57.0
10 (bottom)	55.0	55.5	55.0
Standard deviation	0.74	0.97	0.96
Average	56.41	57.31	56.84

*Example 53*

[0236] A litter composition comprising a sodium bentonite/calcium bentonite blend is formed using the apparatus of FIG. 1. The fragrance slurry of Example 1 is coated on the sodium bentonite and a PTFE slurry is coated on the calcium bentonite.

[0237] The PTFE slurry consists of 98.0% water and 2.0% of a 60% PTFE suspension in water. The PTFE slurry is applied to the calcium bentonite at rate of 40.0 lbs/ton of PTFE slurry/calcium bentonite to attain 14.0 lbs/ton of PTFE slurry/calcium bentonite in finished product.

[0238] While the present invention has been disclosed with references to certain embodiments, numerous modifications, alterations and changes to the described embodiments are possible without departing from the sphere and scope of the present invention, as defined in the appended claims. Accordingly, it is intended that the present invention not be limited to the described embodiments, but that it has the full scope defined by the language of the following claims, and equivalents thereof.

**WHAT IS CLAIMED IS:**

1. A composition comprising:  
a blend comprising sodium bentonite and calcium bentonite,  
wherein sodium bentonite comprises at least 47% of the total external surface area of  
the blend,  
wherein the calcium bentonite comprises 5% to 53% of the total external surface area  
of the blend,  
wherein 90% of the particles of the sodium bentonite have a particle size of 345 to  
1695  $\mu\text{m}$ , and  
wherein 90% of the particles of the calcium bentonite have a particle size of 626 to  
2000  $\mu\text{m}$ .
2. The composition of claim 1, wherein the sodium bentonite has an average particle size  
of between 450 and 1000  $\mu\text{m}$  and the calcium bentonite has an average particle size of  
between 650 and 2000  $\mu\text{m}$
3. The composition of claim 1, wherein the calcium bentonite comprises 10% to 53% the  
blend.
4. The composition of claim 1, wherein the calcium bentonite comprises 15% to 53% the  
blend.
5. The composition of claim 1, wherein the composition comprises a clumping additive  
for increasing the clumping of the composition.
6. The composition of claim 1, wherein the composition is a removably clumpable litter.
7. The composition of claim 1, wherein less than 50% of the total external surface area  
of all particles in the blend are from sodium bentonite particles.
8. The composition of claim 1, wherein the blend is a uniform blend.
9. The composition of claim 1, wherein the blend comprises a fragrance coated on the  
sodium bentonite and/or the calcium bentonite.

10. The composition of claim 1, wherein when the composition is exposed to urine has emissions of ammonia that are less than for a composition consisting of only the sodium bentonite.
11. A composition comprising:  
a blend of sodium bentonite and calcium bentonite,  
wherein the calcium bentonite is coated with a coating comprising  
polytetrafluoroethylene (PTFE).
12. The composition of claim 11, wherein the sodium bentonite has an average particle size of between 450 and 1000  $\mu\text{m}$  and the calcium bentonite has an average particle size of between 650 and 2000  $\mu\text{m}$
13. The composition of claim 11, wherein the calcium bentonite comprises 5% to 53% the blend.
14. The composition of claim 11, wherein the calcium bentonite comprises 10% to 53% the blend.
15. The composition of claim 11, wherein the calcium bentonite comprises 15% to 53% the blend.
16. The composition of claim 11, wherein the composition comprises a clumping additive for increasing the clumping of the composition.
17. The composition of claim 11, wherein the composition is a removably clumpable litter.
18. The composition of claim 11, wherein less than 50% of the total external surface area of all particles in the blend are from sodium bentonite particles.
19. The composition of claim 11, wherein the blend is a uniform blend.
20. The composition of claim 11, wherein the blend comprises a fragrance coated on the sodium bentonite and/or the calcium bentonite.

21. The composition of claim 11, wherein when the composition is exposed to urine has emissions of ammonia that are less than for a composition consisting of only the sodium bentonite.
22. A composition comprising a uniform blend of sodium bentonite and calcium bentonite.
23. The composition of claim 22, wherein a measured density of the blend for ten or more samples of the blend has a standard deviation of no greater than 0.96 lbs/ft<sup>3</sup> throughout the blend.
24. The composition of claim 22, wherein a measured density of the blend for ten or more samples of the blend has a standard deviation of no greater than 0.96 lbs/ft<sup>3</sup> throughout the blend.
25. The composition of claim 22, wherein a measured density of the blend for ten or more samples of the blend has a standard deviation of no greater than 0.74 lbs/ft<sup>3</sup> throughout the blend.
26. The composition of claim 22, wherein sodium bentonite comprises no more than 50% of the total external surface area of the composition and wherein the composition comprises a litter that is removably clumpable.
27. The composition of claim 22, wherein sodium bentonite comprises at least 47% of the total external surface area of the composition.
28. The composition of claim 22, wherein when the composition is exposed to urine has emissions of ammonia that are less than for a composition consisting of only the sodium bentonite.
29. The composition of claim 22, wherein the calcium bentonite is coated.
30. The composition of claim 22, wherein the sodium bentonite is coated.
31. A composition comprising:  
a mixture comprising sodium bentonite and one or more granular filler materials,



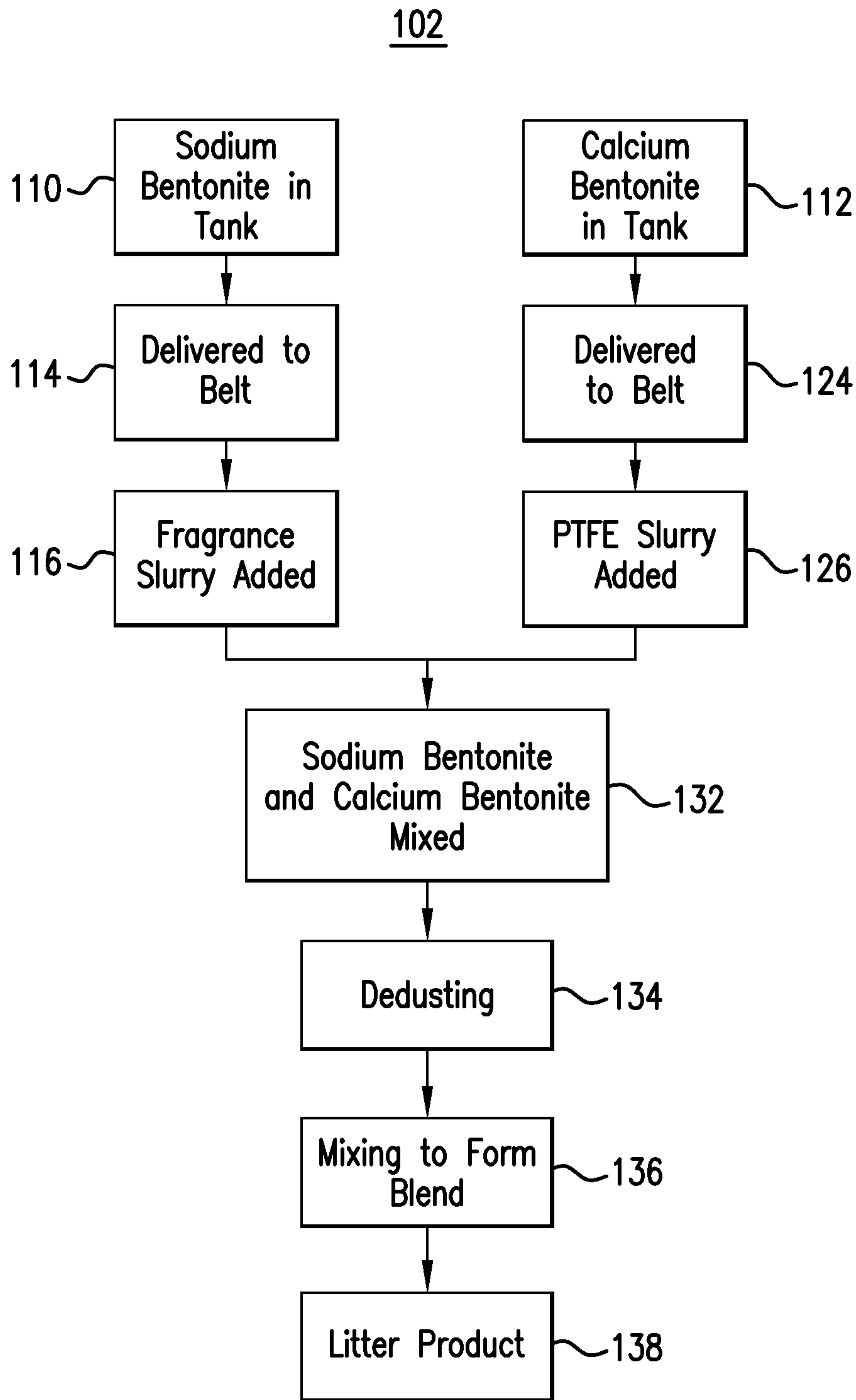
wherein the one or more granular filler materials comprise one or more cellulose-containing materials,  
wherein sodium bentonite comprises at least 47% of the total external surface area of the mixture,  
wherein the one or more granular filler materials comprise 5% to 53% of the total external surface area of the mixture, and  
wherein the mixture is removably clumpable.

32. The composition of claim 31, wherein the mixture has a density less than the density of the sodium bentonite alone.
33. The composition of claim 31, wherein the one or more filler materials comprise 10% to 53% the mixture.
34. The composition of claim 31, wherein the one or more filler materials comprise 15% to 53% the mixture.
35. The composition of claim 31, wherein the mixture is a blend.
36. The composition of claim 31, wherein the one or more filler materials comprise paper particles.
37. The composition of claim 31, wherein the one or more filler materials comprise wood fiber particles.
38. The composition of claim 31, wherein the one or more filler materials comprise grains.
39. The composition of claim 31, wherein the one or more filler materials comprise barley grains.
40. A composition comprising:  
a mixture comprising sodium bentonite and one or more granular filler materials,  
wherein the one or more granular filler materials comprise one or more non-calcium bentonite clays,  
wherein sodium bentonite comprises at least 47% of the total external surface area of the mixture,

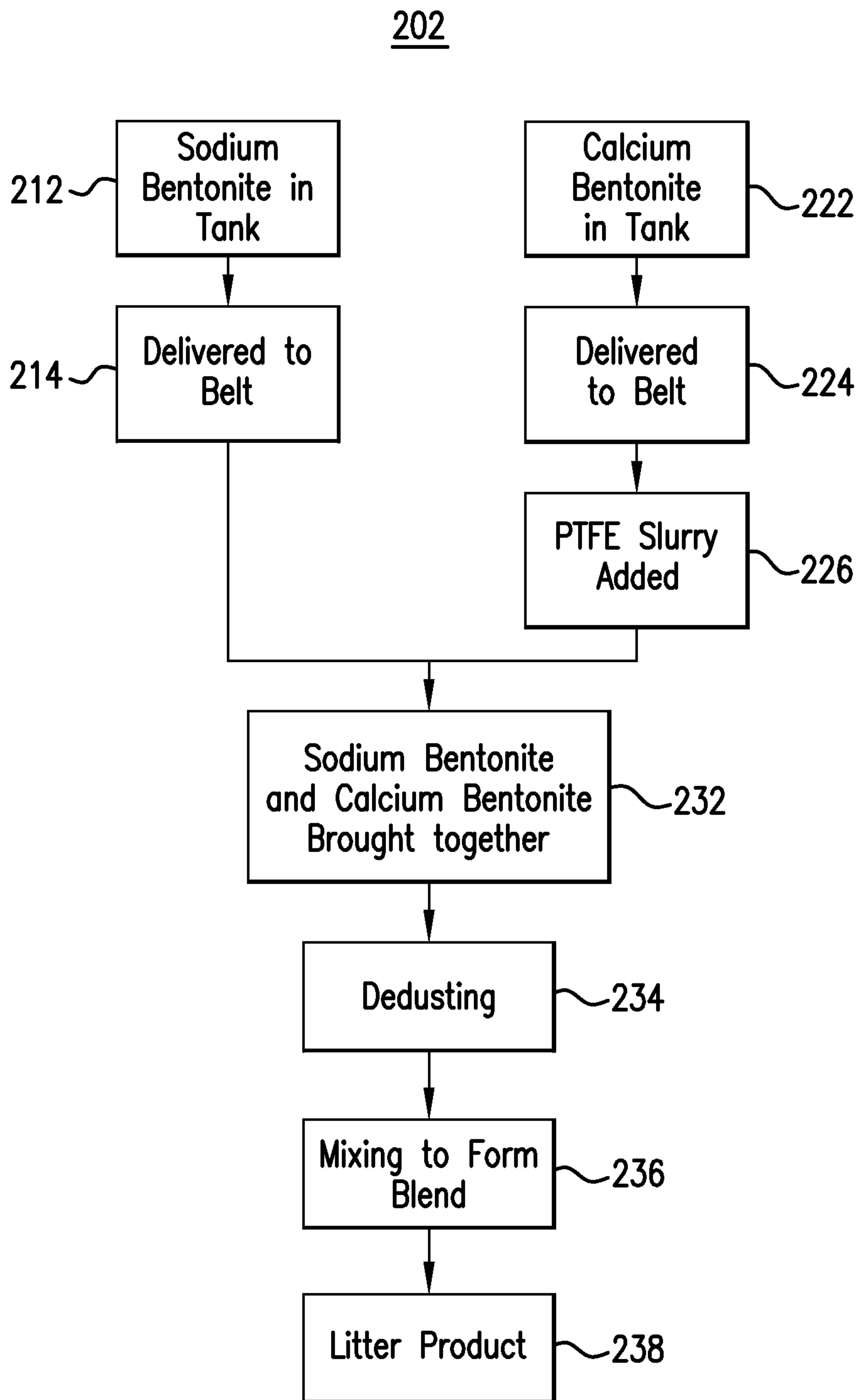
wherein the one or more granular filler materials comprise 5% to 53% of the total external surface area of the mixture, and

wherein the mixture is removably clumpable.

41. The composition of claim 40, wherein the one or more filler materials comprise attapulgite.
42. The composition of claim 40, wherein the one or more filler materials comprise Taft clay.



**FIG. 1**



**FIG. 2**

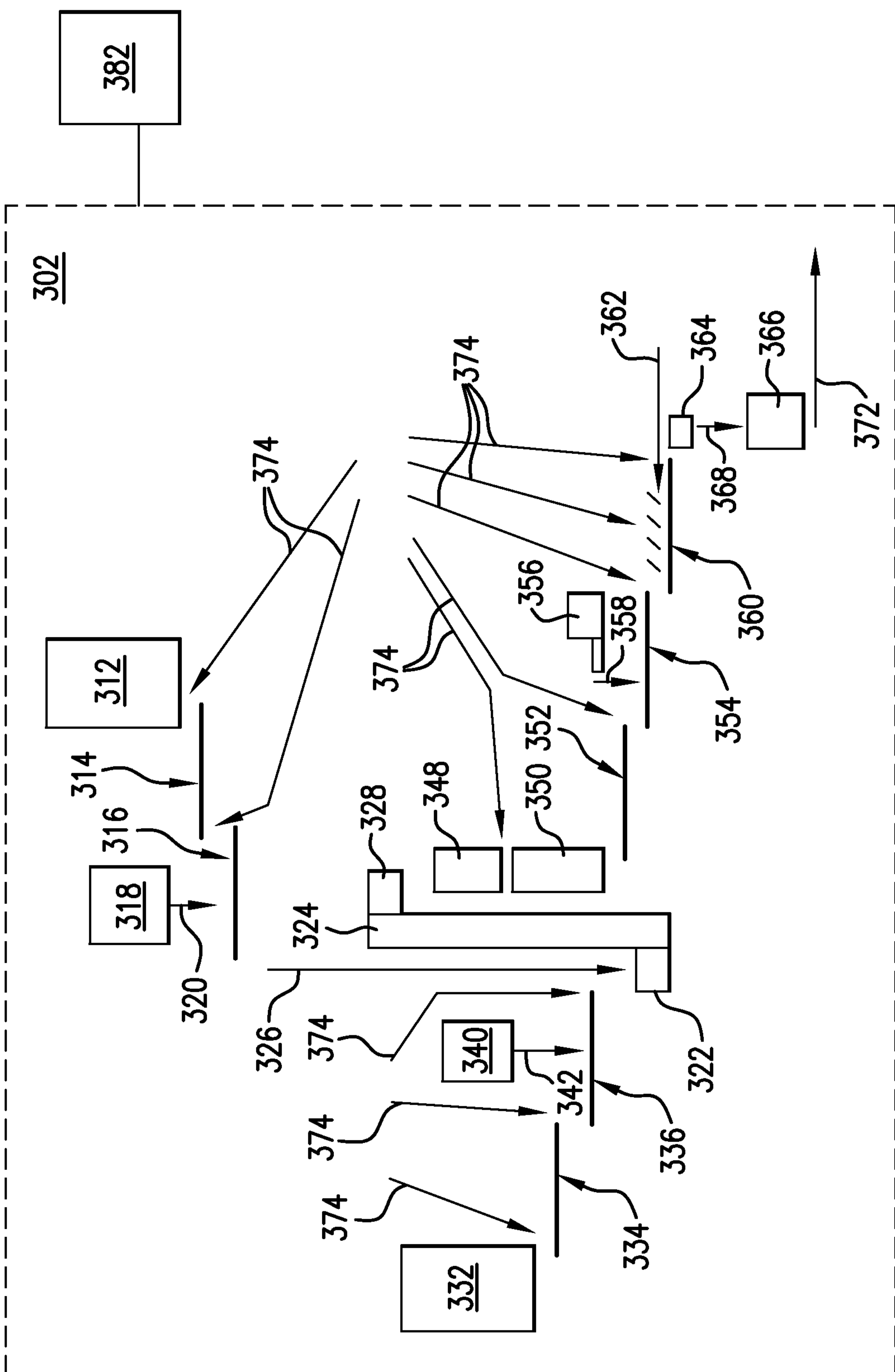


FIG.3

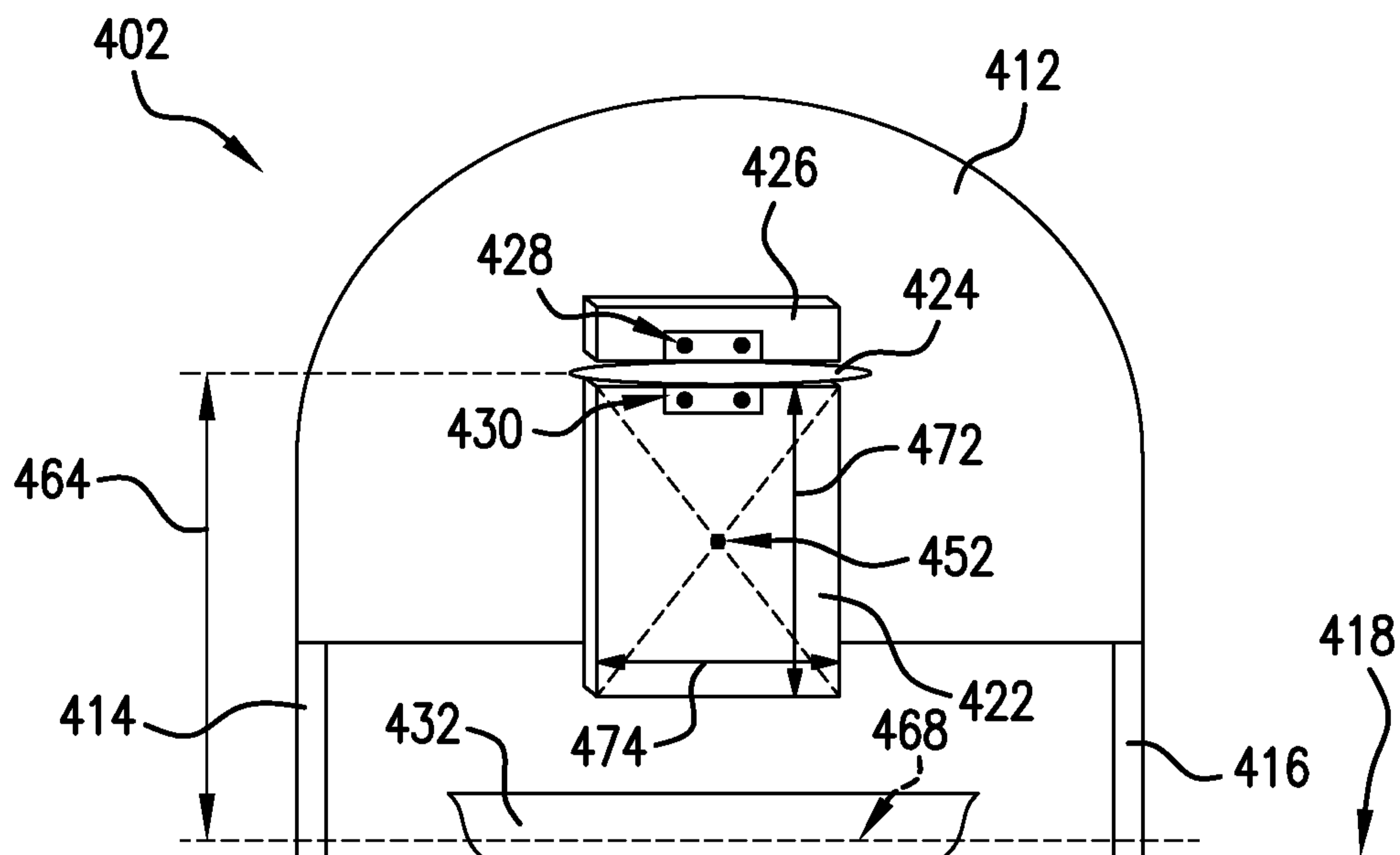


FIG. 4

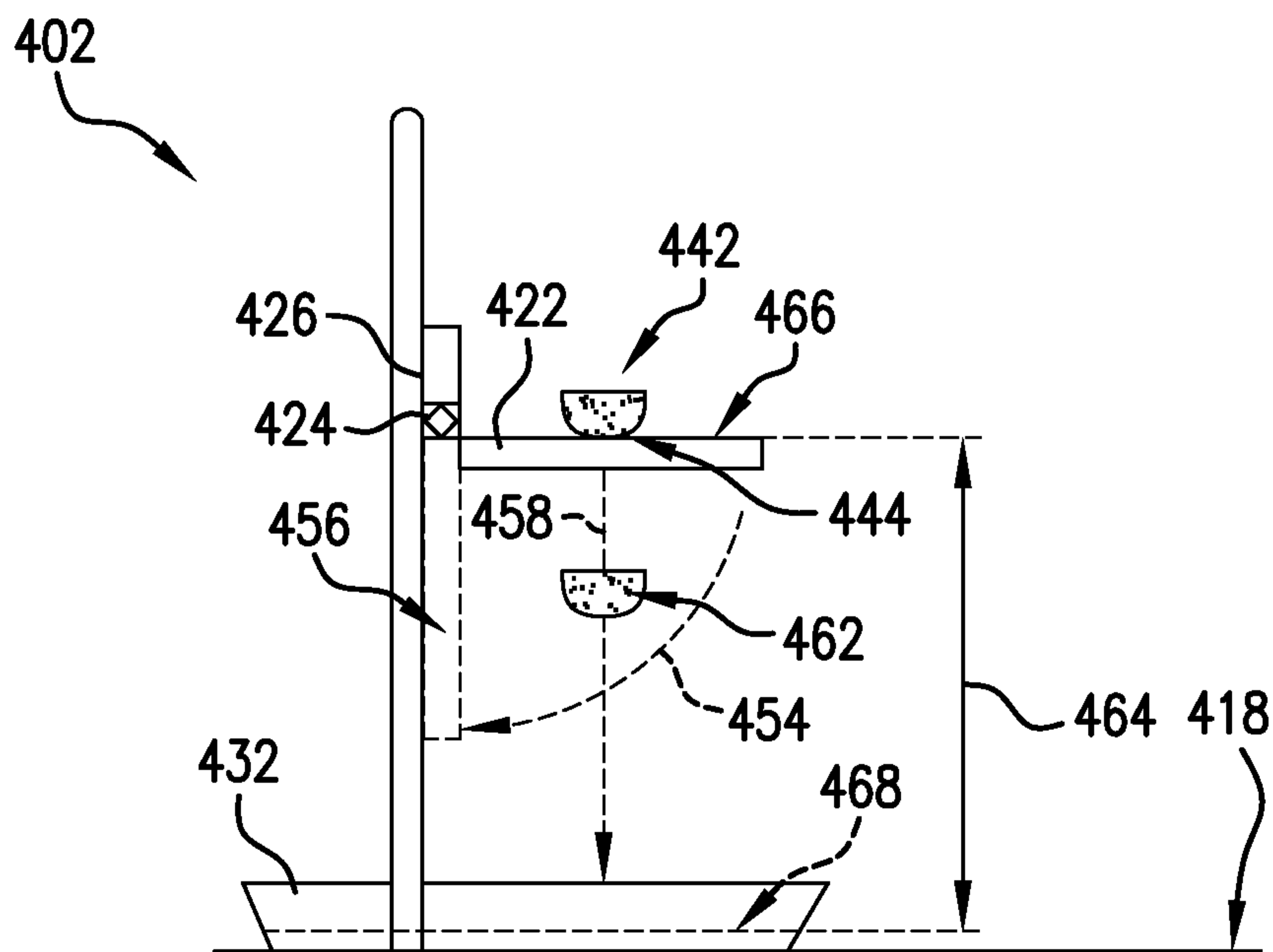


FIG. 5

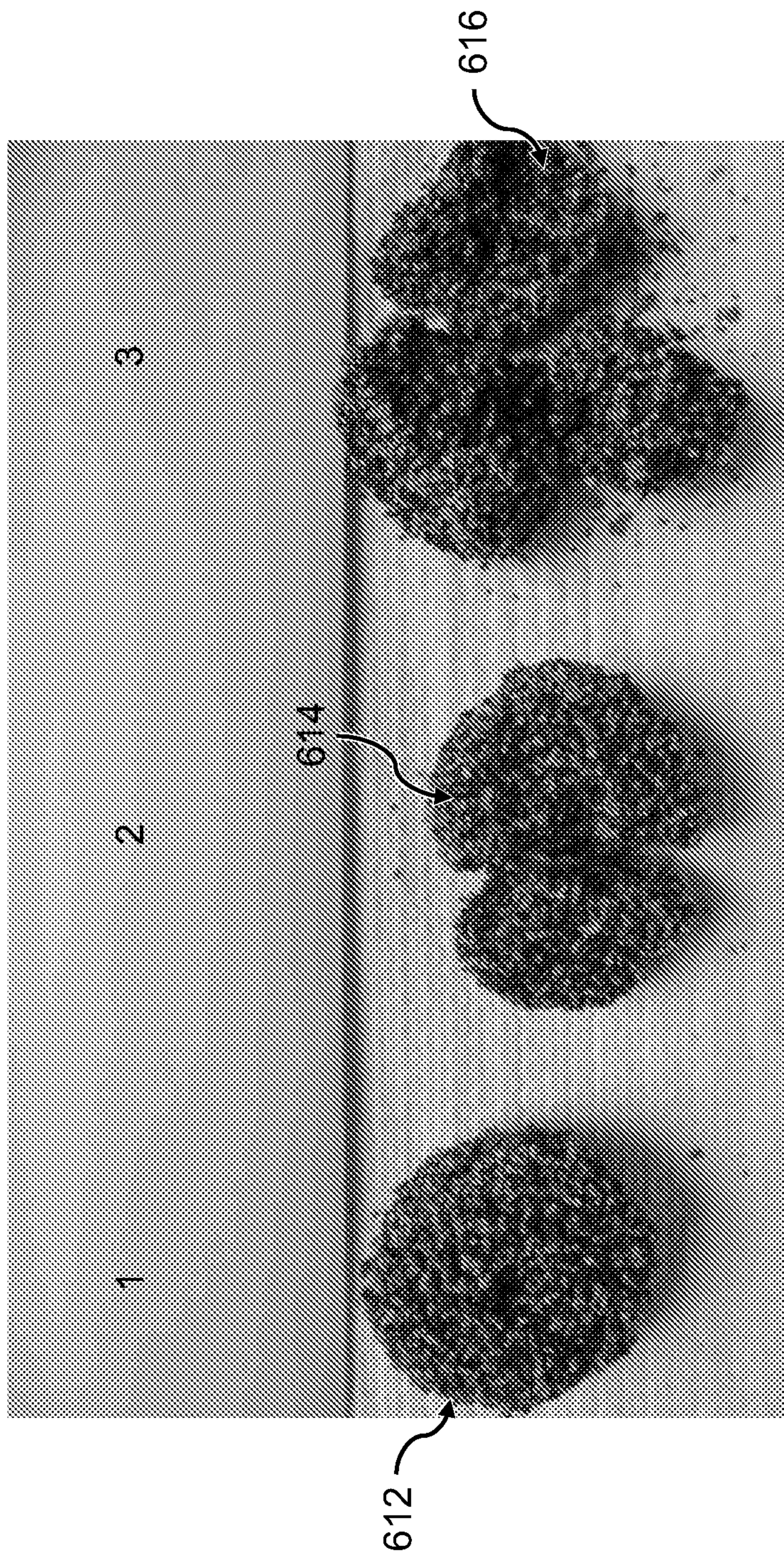


FIG.6

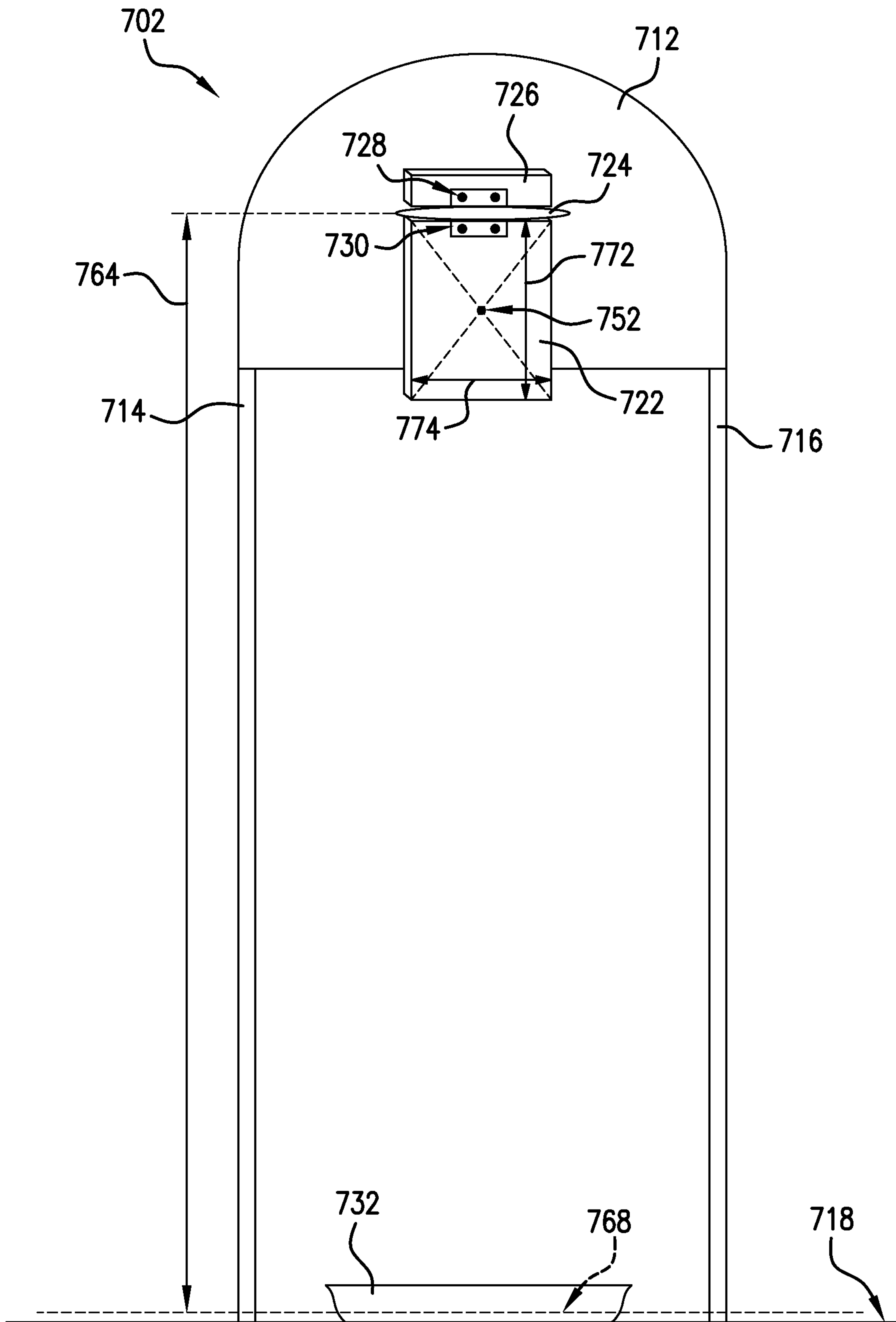


FIG. 7



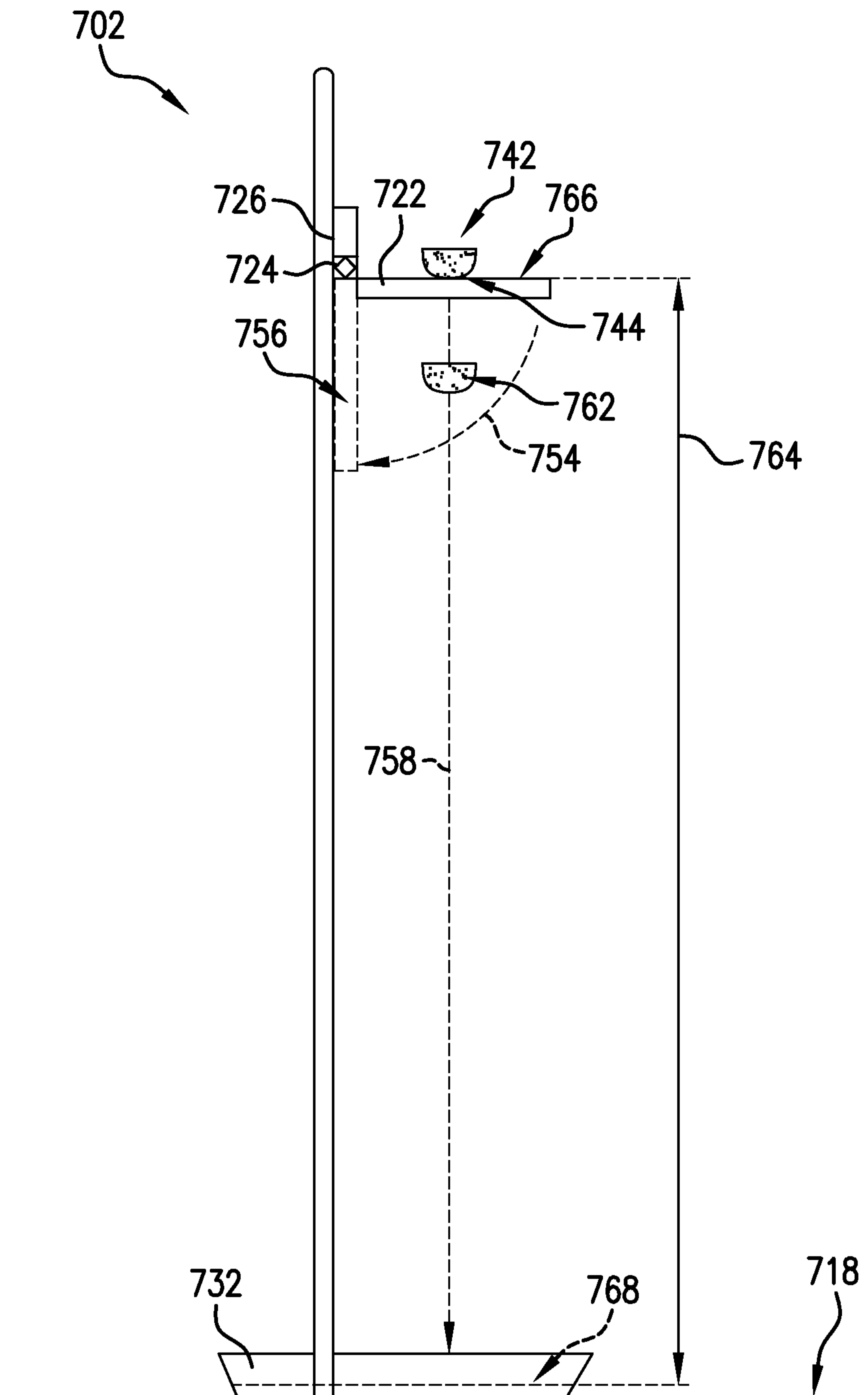


FIG. 8

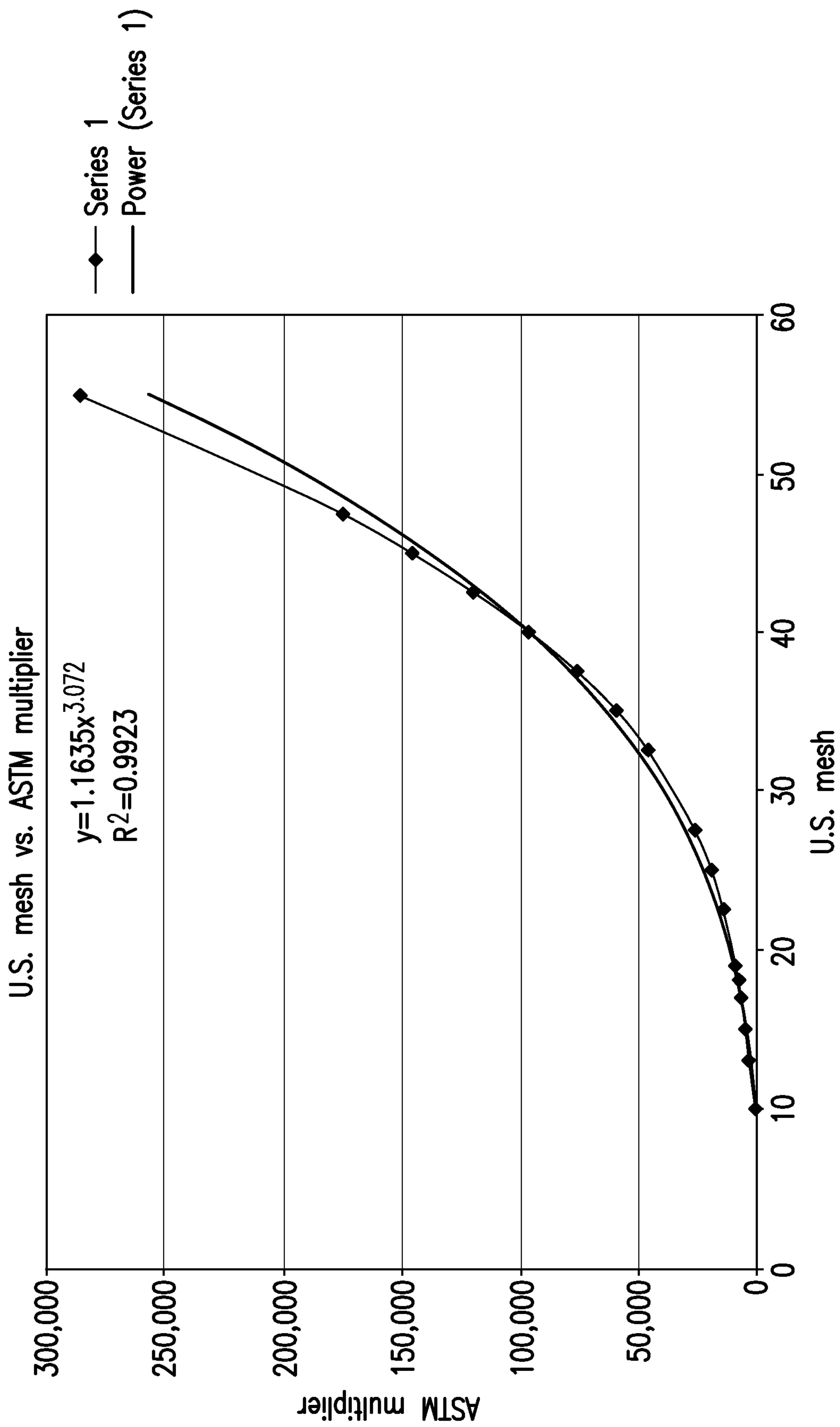
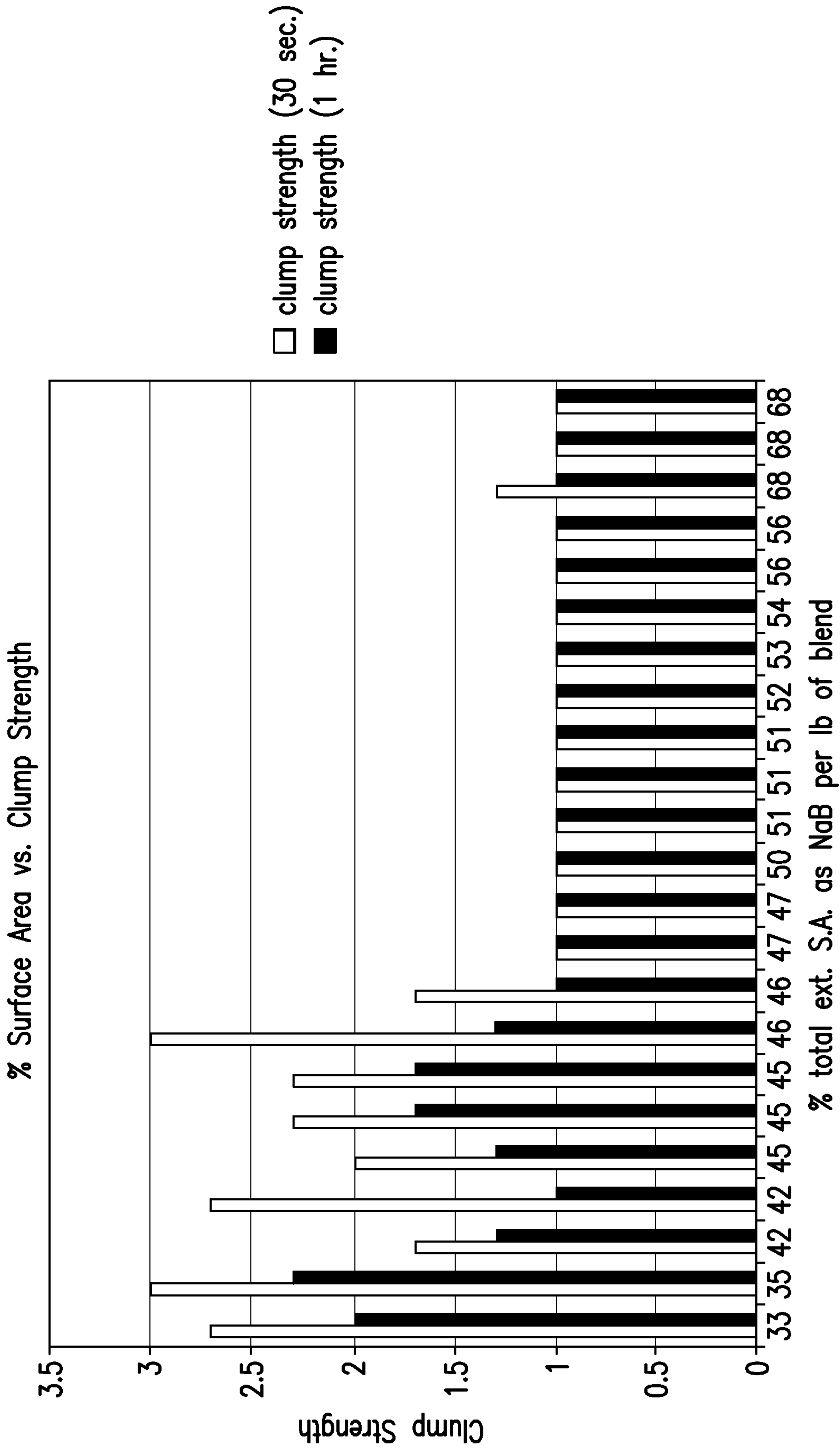


FIG.9



**FIG. 10**

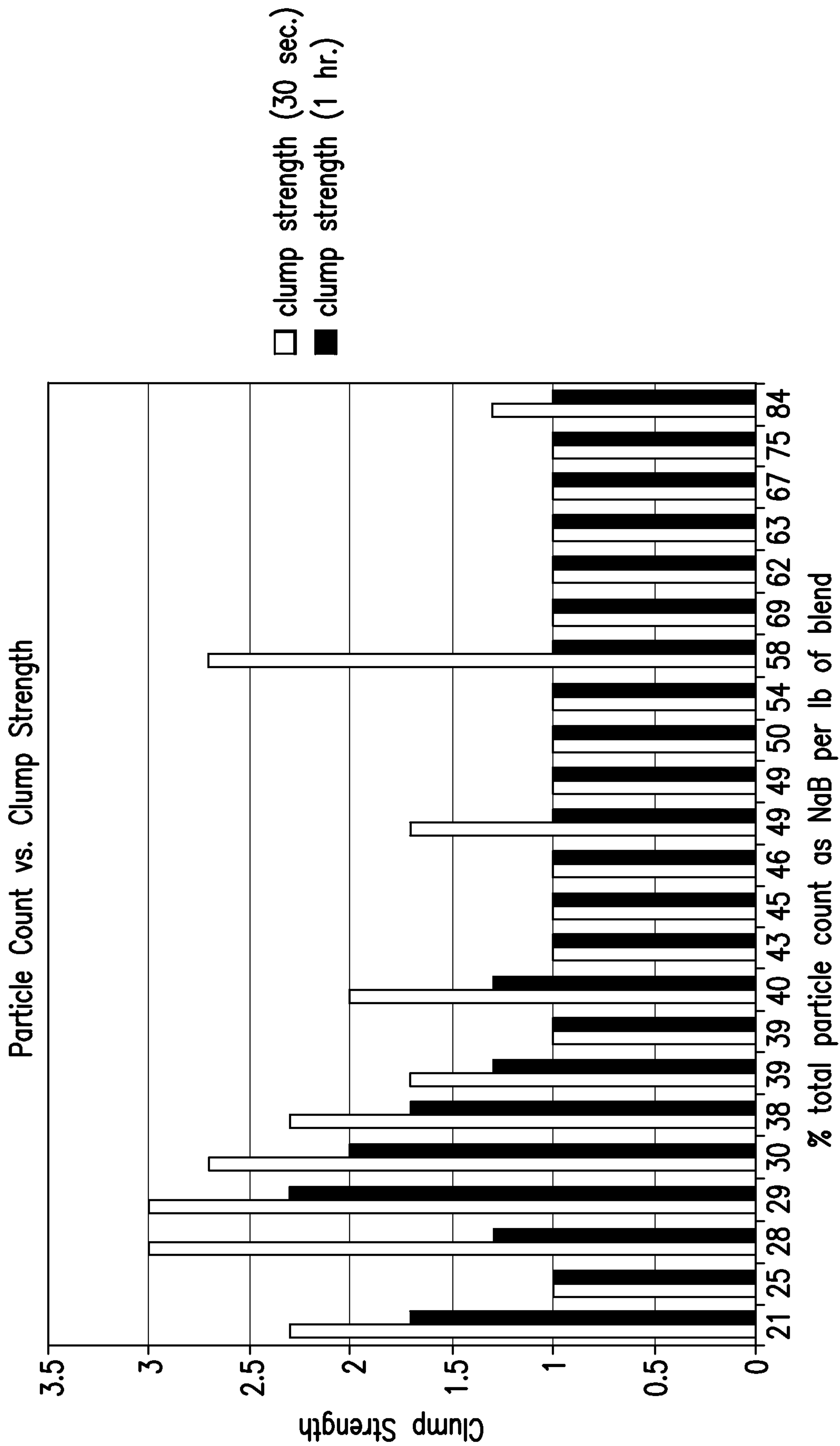


FIG.11

1202

**Wyo-Ben Sodium Bentonite (-25/+60) R-09-636** Bulk Density (lbs/ft<sup>3</sup>): **60.15**

Screen size (U.S. mesh)	Amt. retained (g)	% wt. retained	Average mesh	Multiplier (ASTM)	Ave. particle size (micron)	Ave. particle size (ft)	particle count/lb	Ext. Surface Area/Pound (ft <sup>2</sup> /lb)
6		0.00	(4/6) 5	162	4,000	0.0131	0	0.0000
8		0.00	(6/8) 7	455	2,830	0.0093	0	0.0000
10		0.00	(8/10) 9	985	2,109	0.0069	0	0.0000
12		0.00	(10/12) 11	1,825	1,695	0.0056	0	0.0000
14		0.00	(12/14) 13	4,300	1,414	0.0046	0	0.0000
16		0.00	(14/16) 15	5,700	1,210	0.0040	0	0.0000
18		0.00	(16/18) 17	7,300	1,056	0.0035	0	0.0000
20	0.1	0.04	(18/20) 19	9,500	936	0.0031	186	0.0055
25	5	1.87	(20/25) 22.5	14,500	779	0.0026	14,172	0.2908
30	96	35.83	(25/30) 27.5	26,500	626	0.0021	497,301	6.5900
35		0.00	(30/35) 32.5	46,000	522	0.0017	0	0.0000
40	103	38.45	(35/40) 37.5	76,000	447	0.0015	1,530,217	10.3392
45		0.00	(40/45) 42.5	120,000	390	0.0013	0	0.0000
50	41	15.30	(45/50) 47.5	175,000	345	0.0011	1,402,569	5.6452
60	14.4	5.38	(50/60) 55	285,000	294	0.0010	802,250	2.3449
100	6	2.24	(60/100) 80	809,674	177	0.0006	949,650	1.0061
Pan	2.4	0.90	(-100) 209	15,470,594	69	0.0002	7,258,058	1.1685
Total: %	267.9	100.00				SUM:	<b>12,454,403</b>	<b>27.39</b>

**FIG.12**

**1302**

**BL-RVM (-14/+30) R-10-079**

**Bulk Density (lbs/ft<sup>3</sup>): 41.5**

Screen size (U.S. mesh)	Amt. retained (g)	% wt. retained	Average mesh	Multiplier (ASTM)	Ave. particle size (micron)	Ave. particle size (ft)	particle count/lb	Ext. Surface Area/Pound (ft <sup>2</sup> /lb)
6		0.00	(4/6) 5	162	4,000	0.0131	0	0.0000
8		0.00	(6/8) 7	455	2,830	0.0093	0	0.0000
10		0.00	(8/10) 9	985	2,109	0.0069	0	0.0000
12	0.1	0.04	(10/12) 11	1,825	1,695	0.0056	61	0.0059
14	3.5	1.54	(12/14) 13	4,300	1,414	0.0046	5,010	0.3388
16	41.0	17.98	(14/16) 15	5,700	1,210	0.0040	77,801	3.8519
18		0.00	(16/18) 17	7,300	1,056	0.0035	0	0.0000
20	107.7	47.24	(18/20) 19	9,500	936	0.0031	340,617	10.0911
25	34.4	15.09	(20/25) 22.5	14,500	779	0.0026	166,056	3.4076
30	32.4	14.21	(25/30) 27.5	26,500	626	0.0021	285,837	3.7878
35		0.00	(30/35) 32.5	46,000	522	0.0017	0	0.0000
40	7.4	3.25	(35/40) 37.5	76,000	447	0.0015	187,229	1.2651
45		0.00	(40/45) 42.5	120,000	390	0.0013	0	0.0000
50	0.6	0.26	(45/50) 47.5	175,000	345	0.0011	34,956	0.1407
60	0.1	0.04	(50/60) 55	285,000	294	0.0010	9,488	0.0277
100	0.2	0.09	(60/100) 80	809,674	177	0.0006	53,910	0.0571
Pan	0.6	0.26	(-100) 209	15,470,594	69	0.0002	3,090,195	0.4975
Total: %	228.0	100.00				SUM:	<b>4,251,160</b>	<b>23.47</b>

**FIG. 13**

1402

**Wyo-Ben Sodium Bentonite (-12/+40) R-10-342**

**Bulk Density (lbs/ft<sup>3</sup>): 64.4**

Screen size (U.S. mesh)	Amt. retained (g)	% wt. retained	Average mesh	Multiplier (ASTM)	Ave. particle size (micron)	Ave. particle size (ft)	particle count/lb	Ext. Surface Area/Pound (ft <sup>2</sup> /lb)
6		0.00	(4/6) 5	162	4,000	0.0131	0	0.0000
8		0.00	(6/8) 7	455	2,830	0.0093	0	0.0000
10		0.00	(8/10) 9	985	2,109	0.0069	0	0.0000
12	0.1	0.05	(10/12) 11	1,825	1,695	0.0056	47	0.0045
14	5.5	2.88	(12/14) 13	4,300	1,414	0.0046	6,063	0.4099
16	19.3	10.12	(14/16) 15	5,700	1,210	0.0040	28,202	1.3963
18	23	12.05	(16/18) 17	7,300	1,056	0.0035	43,042	1.6231
20	37.3	19.55	(18/20) 19	9,500	936	0.0031	90,840	2.6912
25	24.2	12.68	(20/25) 22.5	14,500	779	0.0026	89,956	1.8460
30	33.6	17.61	(25/30) 27.5	26,500	626	0.0021	228,261	3.0248
35		0.00	(30/35) 32.5	46,000	522	0.0017	0	0.0000
40	45	23.58	(35/40) 37.5	76,000	447	0.0015	876,743	5.9239
45		0.00	(40/45) 42.5	120,000	390	0.0013	0	0.0000
50	2.4	1.26	(45/50) 47.5	175,000	345	0.0011	107,670	0.4334
60	0.2	0.10	(50/60) 55	285,000	294	0.0010	14,612	0.0427
100	0.1	0.05	(60/100) 80	809,674	177	0.0006	20,757	0.0220
Pan	0.1	0.05	(-100) 209	15,470,594	69	0.0002	396,601	0.0639
Total: %	190.8	100.00				SUM:	<b>1,902,794</b>	<b>17.48</b>

**FIG. 14**

**1502**

**BL-RVM (-24/+48) R-10-341**

**Bulk Density (lbs/ft<sup>3</sup>): 37.1**

Screen size (U.S. mesh)	Amt. retained (g)	% wt. retained	Average mesh	Multiplier (ASTM)	Ave. particle size (micron)	Ave. particle size (ft)	particle count/lb	Ext. Surface Area/Pound (ft <sup>2</sup> /lb)
6		0.00	(4/6) 5	162	4,000	0.0131	0	0.0000
8		0.00	(6/8) 7	455	2,830	0.0093	0	0.0000
10		0.00	(8/10) 9	985	2,109	0.0069	0	0.0000
12	0.4	0.20	(10/12) 11	1,825	1,695	0.0056	309	0.0300
14	5.5	2.74	(12/14) 13	4,300	1,414	0.0046	10,005	0.6765
16	12	5.98	(14/16) 15	5,700	1,210	0.0040	28,936	1.4326
18	13.4	6.68	(16/18) 17	7,300	1,056	0.0035	41,383	1.5605
20	20.1	10.01	(18/20) 19	9,500	936	0.0031	80,781	2.3932
25	18.3	9.12	(20/25) 22.5	14,500	779	0.0026	112,256	2.3036
30	33.4	16.64	(25/30) 27.5	26,500	626	0.0021	374,439	4.9619
35		0.00	(30/35) 32.5	46,000	522	0.0017	0	0.0000
40	59.1	29.45	(35/40) 37.5	76,000	447	0.0015	1,900,161	12.8388
45		0.00	(40/45) 42.5	120,000	390	0.0013	0	0.0000
50	33.5	16.69	(45/50) 47.5	175,000	345	0.0011	2,480,117	9.9823
60	3.9	1.94	(50/60) 55	285,000	294	0.0010	470,217	1.3744
100	0.4	0.20	(60/100) 80	809,674	177	0.0006	137,012	0.1452
Pan	0.7	0.35	(-100) 209	15,470,594	69	0.0002	4,581,359	0.7376
Total: %	200.7	100.00				SUM:	<b>10,216,975</b>	<b>38.44</b>

**FIG. 15**



**1602**

**BL-RVM (-6/+20) R-10-079**

**Bulk Density (lbs/ft<sup>3</sup>): 41.1**

Screen size (U.S. mesh)	Amt. retained (g)	% wt. retained	Average mesh	Multiplier (ASTM)	Ave. particle size (micron)	Ave. particle size (ft)	particle count/lb	Ext. Surface Area/Pound (ft <sup>2</sup> /lb)
6	2	1.42	(4/6) 5	162	4,000	0.0131	177	0.0957
8	48.2	34.33	(6/8) 7	455	2,830	0.0093	11,972	3.2423
10	21.6	15.38	(8/10) 9	985	2,109	0.0069	11,614	1.7469
12	22.2	15.81	(10/12) 11	1,825	1,695	0.0056	22,117	2.1498
14	16.9	12.04	(12/14) 13	4,300	1,414	0.0046	39,670	2.6821
16	8.7	6.20	(14/16) 15	5,700	1,210	0.0040	27,070	1.3403
18	7.3	5.20	(16/18) 17	7,300	1,056	0.0035	29,090	1.0970
20	7.6	5.41	(18/20) 19	9,500	936	0.0031	39,413	1.1676
25	2.5	1.78	(20/25) 22.5	14,500	779	0.0026	19,788	0.4061
30	1.5	1.07	(25/30) 27.5	26,500	626	0.0021	21,699	0.2875
35		0.00	(30/35) 32.5	46,000	522	0.0017	0	0.0000
40		0.00	(35/40) 37.5	76,000	447	0.0015	0	0.0000
45		0.00	(40/45) 42.5	120,000	390	0.0013	0	0.0000
50		0.00	(45/50) 47.5	175,000	345	0.0011	0	0.0000
60	0.9	0.64	(50/60) 55	285,000	294	0.0010	140,020	0.4093
100	0.4	0.28	(60/100) 80	809,674	177	0.0006	176,796	0.1873
Pan	0.6	0.43	(-100) 209	15,470,594	69	0.0002	5,067,105	0.8158
Total: %	140.4	100.00				SUM:	<b>5,606,530</b>	<b>15.63</b>

**FIG. 16**

1702

**BPO Sodium Bentonite LD-16W (-16/+35) R-10-379 Bulk Density (lbs/ft<sup>3</sup>): 64.33**

Screen size (U.S. mesh)	Amt. retained (g)	% wt. retained	Average mesh	Multiplier (ASTM)	Ave. particle size (micron)	Ave. particle size (ft)	particle count/lb	Ext. Surface Area/Pound (ft <sup>2</sup> /lb)
6		0.00	(4/6) 5	162	4,000	0.0131	0	0.0000
8		0.00	(6/8) 7	455	2,830	0.0093	0	0.0000
10		0.00	(8/10) 9	985	2,109	0.0069	0	0.0000
12		0.00	(10/12) 11	1,825	1,695	0.0056	0	0.0000
14	0.1	0.05	(12/14) 13	4,300	1,414	0.0046	106	0.0072
16	0.4	0.20	(14/16) 15	5,700	1,210	0.0040	562	0.0278
18	8	4.03	(16/18) 17	7,300	1,056	0.0035	14,399	0.5430
20	80.8	40.68	(18/20) 19	9,500	936	0.0031	189,257	5.6069
25	52.1	26.23	(20/25) 22.5	14,500	779	0.0026	186,262	3.8222
30	50.1	25.23	(25/30) 27.5	26,500	626	0.0021	327,342	4.3378
35	6	3.02	(30/35) 32.5	46,000	522	0.0017	68,050	0.6270
40	0.2	0.10	(35/40) 37.5	76,000	447	0.0015	3,748	0.0253
45	0.1	0.05	(40/45) 42.5	120,000	390	0.0013	2,959	0.0152
50	0	0.00	(45/50) 47.5	175,000	345	0.0011	0	0.0000
60	0	0.00	(50/60) 55	285,000	294	0.0010	0	0.0000
100	0.1	0.05	(60/100) 80	809,674	177	0.0006	19,963	0.0211
Pan	0.7	0.35	(-100) 209	15,470,594	69	0.0002	2,670,071	0.4299
Total: %	198.6	100.00				SUM:	<b>3,482,718</b>	<b>15.46</b>

**FIG.17**

**1802**

**BL-RVM (-24/+48) R-10-341**

**Bulk Density (lbs/ft<sup>3</sup>): 37.7**

Screen size (U.S. mesh)	Amt. retained (g)	% wt. retained	Average mesh	Multiplier (ASTM)	Ave. particle size (micron)	Ave. particle size (ft)	particle count/lb	Ext. Surface Area/Pound (ft <sup>2</sup> /lb)
6		0.00	(4/6) 5	162	4,000	0.0131	0	0.0000
8		0.00	(6/8) 7	455	2,830	0.0093	0	0.0000
10		0.00	(8/10) 9	985	2,109	0.0069	0	0.0000
12	0.9	0.43	(10/12) 11	1,825	1,695	0.0056	649	0.0630
14	6.9	3.26	(12/14) 13	4,300	1,414	0.0046	11,716	0.7921
16	14.5	6.85	(14/16) 15	5,700	1,210	0.0040	32,636	1.6158
18	14.9	7.04	(16/18) 17	7,300	1,056	0.0035	42,950	1.6196
20	22.1	10.44	(18/20) 19	9,500	936	0.0031	82,903	2.4561
25	19.9	9.40	(20/25) 22.5	14,500	779	0.0026	113,940	2.3381
30	35.5	16.78	(25/30) 27.5	26,500	626	0.0021	371,473	4.9226
35	35.2	16.64	(30/35) 32.5	46,000	522	0.0017	639,373	5.8914
40	25.7	12.15	(35/40) 37.5	76,000	447	0.0015	771,259	5.2112
45	19	8.98	(40/45) 42.5	120,000	390	0.0013	900,302	4.6306
50	12.9	6.10	(45/50) 47.5	175,000	345	0.0011	891,418	3.5879
60	2.9	1.37	(50/60) 55	285,000	294	0.0010	326,360	0.9539
100	0.3	0.14	(60/100) 80	809,674	177	0.0006	95,915	0.1016
Pan	0.9	0.43	(-100) 209	15,470,594	69	0.0002	5,497,979	0.8852
Total: %	211.6	100.00				SUM:	<b>9,778,871</b>	<b>35.07</b>

**FIG. 18**

1902

Wyo-Ben Exp.Sodium Bentonite (-20/+40) R-10-361 Bulk Density (lbs/ft<sup>3</sup>): 62.49

Screen size (U.S. mesh)	Amt. retained (g)	% wt. retained	Average mesh	Multiplier (ASTM)	Ave. particle size (micron)	Ave. particle size (ft)	particle count/lb	Ext. Surface Area/Pound (ft <sup>2</sup> /lb)
6		0.00	(4/6) 5	162	4,000	0.0131	0	0.0000
8		0.00	(6/8) 7	455	2,830	0.0093	0	0.0000
10		0.00	(8/10) 9	985	2,109	0.0069	0	0.0000
12		0.00	(10/12) 11	1,825	1,695	0.0056	0	0.0000
14		0.00	(12/14) 13	4,300	1,414	0.0046	0	0.0000
16		0.00	(14/16) 15	5,700	1,210	0.0040	0	0.0000
18	0.1	0.05	(16/18) 17	7,300	1,056	0.0035	186	0.0070
20	20.2	10.22	(18/20) 19	9,500	936	0.0031	48,929	1.4496
25	47.5	24.03	(20/25) 22.5	14,500	779	0.0026	175,612	3.6037
30	61.8	31.26	(25/30) 27.5	26,500	626	0.0021	417,568	5.5335
35	47.9	24.23	(30/35) 32.5	46,000	522	0.0017	561,806	5.1766
40	18.7	9.46	(35/40) 37.5	76,000	447	0.0015	362,367	2.4484
45	0.6	0.30	(40/45) 42.5	120,000	390	0.0013	18,358	0.0944
50	0.2	0.10	(45/50) 47.5	175,000	345	0.0011	8,924	0.0359
60	0.1	0.05	(50/60) 55	285,000	294	0.0010	7,267	0.0212
100		0.00	(60/100) 80	809,674	177	0.0006	0	0.0000
Pan	0.6	0.30	(-100) 209	15,470,594	69	0.0002	2,366,746	0.3810
Total: %	197.7	100.00				SUM:	3,967,764	18.75

FIG. 19

2002

**Wyo-Ben Sodium Bentonite (-12/+40) R-10-342**

**Bulk Density (lbs/ft<sup>3</sup>): 64.2**

Screen size (U.S. mesh)	Amt. retained (g)	% wt. retained	Average mesh	Multiplier (ASTM)	Ave. particle size (micron)	Ave. particle size (ft)	particle count/lb	Ext. Surface Area/Pound (ft <sup>2</sup> /lb)
6		0.00	(4/6) 5	162	4,000	0.0131	0	0.0000
8		0.00	(6/8) 7	455	2,830	0.0093	0	0.0000
10		0.00	(8/10) 9	985	2,109	0.0069	0	0.0000
12		0.00	(10/12) 11	1,825	1,695	0.0056	0	0.0000
14	6.3	2.95	(12/14) 13	4,300	1,414	0.0046	6,226	0.4209
16	20.3	9.51	(14/16) 15	5,700	1,210	0.0040	26,592	1.3166
18	24.7	11.57	(16/18) 17	7,300	1,056	0.0035	41,438	1.5626
20	41.7	19.53	(18/20) 19	9,500	936	0.0031	91,041	2.6972
25	27	12.65	(20/25) 22.5	14,500	779	0.0026	89,972	1.8463
30	38.1	17.85	(25/30) 27.5	26,500	626	0.0021	232,032	3.0748
35	38.8	18.17	(30/35) 32.5	46,000	522	0.0017	410,173	3.7794
40	13.2	6.18	(35/40) 37.5	76,000	447	0.0015	230,550	1.5578
45	1.4	0.66	(40/45) 42.5	120,000	390	0.0013	38,609	0.1986
50	0.5	0.23	(45/50) 47.5	175,000	345	0.0011	20,109	0.0809
60	0.2	0.09	(50/60) 55	285,000	294	0.0010	13,099	0.0383
100	0.5	0.23	(60/100) 80	809,674	177	0.0006	93,037	0.0986
Pan	0.8	0.37	(-100) 209	15,470,594	69	0.0002	2,844,295	0.4579
Total: %	213.5	100.00				SUM:	<b>4,137,174</b>	<b>17.13</b>

**FIG. 20**

2102

BL-RVM (-12/+50) R-10-371

Bulk Density (lbs/ft<sup>3</sup>): 41.9

Screen size (U.S. mesh)	Amt. retained (g)	% wt. retained	Average mesh	Multiplier (ASTM)	Ave. particle size (micron)	Ave. particle size (ft)	particle count/lb	Ext. Surface Area/Pound (ft <sup>2</sup> /lb)
6		0.00	(4/6) 5	162	4,000	0.0131	0	0.0000
8		0.00	(6/8) 7	455	2,830	0.0093	0	0.0000
10		0.00	(8/10) 9	985	2,109	0.0069	0	0.0000
12	0.1	0.05	(10/12) 11	1,825	1,695	0.0056	67	0.0065
14	5.3	2.60	(12/14) 13	4,300	1,414	0.0046	8,395	0.5676
16	14.7	7.20	(14/16) 15	5,700	1,210	0.0040	30,864	1.5280
18	16.6	8.13	(16/18) 17	7,300	1,056	0.0035	44,636	1.6832
20	22.7	11.12	(18/20) 19	9,500	936	0.0031	79,433	2.3533
25	19	9.31	(20/25) 22.5	14,500	779	0.0026	101,479	2.0824
30	34.4	16.85	(25/30) 27.5	26,500	626	0.0021	335,782	4.4497
35	33.7	16.51	(30/35) 32.5	46,000	522	0.0017	571,007	5.2614
40	23.7	11.61	(35/40) 37.5	76,000	447	0.0015	663,461	4.4828
45	17.4	8.53	(40/45) 42.5	120,000	390	0.0013	769,102	3.9558
50	12	5.88	(45/50) 47.5	175,000	345	0.0011	773,522	3.1134
60	2.8	1.37	(50/60) 55	285,000	294	0.0010	293,938	0.8592
100	0.5	0.24	(60/100) 80	809,674	177	0.0006	149,119	0.1580
Pan	1.2	0.59	(-100) 209	15,470,594	69	0.0002	6,838,199	1.1009
Total: %	204.1	100.00				SUM:	10,659,005	31.60

FIG. 21

2202

BL-RVM (-5/+30) R-10-079

Bulk Density (lbs/ft<sup>3</sup>): 46.22

Screen size (U.S. mesh)	Amt. retained (g)	% wt. retained	Average mesh	Multiplier (ASTM)	Ave. particle size (micron)	Ave. particle size (ft)	particle count/lb	Ext. Surface Area/Pound (ft <sup>2</sup> /lb)
6	4.2	2.10	(4/6) 5	162	4,000	0.0131	232	0.1254
8	62.7	31.35	(6/8) 7	455	2,830	0.0093	9,721	2.6328
10	29.9	14.95	(8/10) 9	985	2,109	0.0069	10,036	1.5095
12	31.8	15.90	(10/12) 11	1,825	1,695	0.0056	19,776	1.9223
14	25.4	12.70	(12/14) 13	4,300	1,414	0.0046	37,218	2.5164
16	13.7	6.85	(14/16) 15	5,700	1,210	0.0040	26,610	1.3175
18	11.1	5.55	(16/18) 17	7,300	1,056	0.0035	27,612	1.0412
20	12	6.00	(18/20) 19	9,500	936	0.0031	38,847	1.1509
25	4.4	2.20	(20/25) 22.5	14,500	779	0.0026	21,741	0.4461
30	2.5	1.25	(25/30) 27.5	26,500	626	0.0021	22,575	0.2992
35		0.00	(30/35) 32.5	46,000	522	0.0017	0	0.0000
40		0.00	(35/40) 37.5	76,000	447	0.0015	0	0.0000
45		0.00	(40/45) 42.5	120,000	390	0.0013	0	0.0000
50		0.00	(45/50) 47.5	175,000	345	0.0011	0	0.0000
60		0.00	(50/60) 55	285,000	294	0.0010	0	0.0000
100	1.6	0.80	(60/100) 80	809,674	177	0.0006	441,449	0.4677
Pan	0.7	0.35	(-100) 209	15,470,594	69	0.0002	3,690,249	0.5941
Total: %	200	100.00				SUM:	4,346,066	14.02

FIG. 22

**2302**  
**Stock Wyo-Ben Bentonite (-12/+40) R-10-342**      **Bulk Density (lbs/ft<sup>3</sup>): 64.86**

Screen size (U.S. mesh)	Amt. retained (g)	% wt. retained	Average mesh	Multiplier (ASTM)	Ave. particle size (micron)	Ave. particle size (ft)	particle count/lb	Ext. Surface Area/Pound (ft <sup>2</sup> /lb)
6		0.00	(4/6) 5	162	4,000	0.0131	0	0.0000
8		0.00	(6/8) 7	455	2,830	0.0093	0	0.0000
10		0.00	(8/10) 9	985	2,109	0.0069	0	0.0000
12	0.3	0.15	(10/12) 11	1,825	1,695	0.0056	132	0.0129
14	7.2	3.59	(12/14) 13	4,300	1,414	0.0046	7,492	0.5065
16	22.1	11.01	(14/16) 15	5,700	1,210	0.0040	30,483	1.5092
18	27.1	13.50	(16/18) 17	7,300	1,056	0.0035	47,872	1.8052
20	41.6	20.73	(18/20) 19	9,500	936	0.0031	95,632	2.8332
25	25.2	12.56	(20/25) 22.5	14,500	779	0.0026	88,421	1.8145
30	32.3	16.09	(25/30) 27.5	26,500	626	0.0021	207,126	2.7448
35	32.4	16.14	(30/35) 32.5	46,000	522	0.0017	360,653	3.3232
40	10.5	5.23	(35/40) 37.5	76,000	447	0.0015	193,103	1.3047
45		0.00	(40/45) 42.5	120,000	390	0.0013	0	0.0000
50	1.5	0.75	(45/50) 47.5	175,000	345	0.0011	63,521	0.2557
60	0.2	0.10	(50/60) 55	285,000	294	0.0010	13,793	0.0403
100	0	0.00	(60/100) 80	809,674	177	0.0006	0	0.0000
Pan	0.3	0.15	(-100) 209	15,470,594	69	0.0002	1,123,090	0.1808
Total: %	200.7	100.00				SUM:	2,231,317	16.33

**FIG. 23**



2402

BL-RVM (-12/+20) R-10-079

Bulk Density (lbs/ft<sup>3</sup>): 39.75

Screen size (U.S. mesh)	Amt. retained (g)	% wt. retained	Average mesh	Multiplier (ASTM)	Ave. particle size (micron)	Ave. particle size (ft)	particle count/lb	Ext. Surface Area/Pound (ft <sup>2</sup> /lb)
6		0.00	(4/6) 5	162	4,000	0.0131	0	0.0000
8		0.00	(6/8) 7	455	2,830	0.0093	0	0.0000
10		0.00	(8/10) 9	985	2,109	0.0069	0	0.0000
12	0.4	0.20	(10/12) 11	1,825	1,695	0.0056	289	0.0281
14	21	10.49	(12/14) 13	4,300	1,414	0.0046	35,761	2.4179
16	57.3	28.64	(14/16) 15	5,700	1,210	0.0040	129,347	6.4039
18	61.8	30.88	(16/18) 17	7,300	1,056	0.0035	178,664	6.7373
20	53.9	26.94	(18/20) 19	9,500	936	0.0031	202,786	6.0077
25	3.2	1.60	(20/25) 22.5	14,500	779	0.0026	18,376	0.3771
30	0.8	0.40	(25/30) 27.5	26,500	626	0.0021	8,396	0.1113
35	0.4	0.20	(30/35) 32.5	46,000	522	0.0017	7,287	0.0671
40	0.2	0.10	(35/40) 37.5	76,000	447	0.0015	6,020	0.0407
45		0.00	(40/45) 42.5	120,000	390	0.0013	0	0.0000
50	0.3	0.15	(45/50) 47.5	175,000	345	0.0011	20,791	0.0837
60	0.1	0.05	(50/60) 55	285,000	294	0.0010	11,287	0.0330
100	0.3	0.15	(60/100) 80	809,674	177	0.0006	96,196	0.1019
Pan	0.4	0.20	(-100)	15,470,594	69	0.0002	2,450,718	0.3946
Total: %	200.1	100.00				SUM:	3,165,918	22.80

FIG. 24

**2502**  
**Wyo-Ben FS-30 Sodium Bentonite (-12/+40) R-10-668 Bulk Density (lbs/ft<sup>3</sup>): 63.3**

Screen size (U.S. mesh)	Amt. retained (g)	% wt. retained	Average mesh	Multiplier (ASTM)	Ave. particle size (micron)	Ave. particle size (ft)	particle count/lb	Ext. Surface Area/Pound (ft <sup>2</sup> /lb)
6		0.00	(4/6) 5	162	4,000	0.0131	0	0.0000
8		0.00	(6/8) 7	455	2,830	0.0093	0	0.0000
10	<b>0</b>	0.00	(8/10) 9	985	2,109	0.0069	0	0.0000
12	<b>0.6</b>	0.30	(10/12) 11	1,825	1,695	0.0056	273	0.0265
14	<b>21.4</b>	10.73	(12/14) 13	4,300	1,414	0.0046	22,953	1.5519
16	<b>30.3</b>	15.19	(14/16) 15	5,700	1,210	0.0040	43,081	2.1329
18	<b>30.4</b>	15.24	(16/18) 17	7,300	1,056	0.0035	55,355	2.0874
20	<b>42.5</b>	21.30	(18/20) 19	9,500	936	0.0031	100,711	2.9837
25	<b>23.3</b>	11.68	(20/25) 22.5	14,500	779	0.0026	84,273	1.7293
30	<b>29</b>	14.54	(25/30) 27.5	26,500	626	0.0021	191,694	2.5402
35		0.00	(30/35) 32.5	46,000	522	0.0017	0	0.0000
40	<b>17.5</b>	8.77	(35/40) 37.5	76,000	447	0.0015	331,754	2.2416
45		0.00	(40/45) 42.5	120,000	390	0.0013	0	0.0000
50	<b>1.5</b>	0.75	(45/50) 47.5	175,000	345	0.0011	65,478	0.2635
60	<b>0.5</b>	0.25	(50/60) 55	285,000	294	0.0010	35,545	0.1039
100	<b>0.5</b>	0.25	(60/100) 80	809,674	177	0.0006	100,982	0.1070
Pan	<b>2</b>	1.00	(-100) 209	15,470,594	69	0.0002	7,717,932	1.2426
Total: %	199.5	100.00				SUM:	<b>8,750,030</b>	<b>17.01</b>

**FIG. 25**

2602

Paper granule Biodac 10/30 R-09-147

Bulk Density (lbs/ft<sup>3</sup>): 46.5

Screen size (U.S. mesh)	Amt. retained (g)	% wt. retained	Average mesh	Multiplier (ASTM)	Ave. particle size (micron)	Ave. particle size (ft)	particle count/lb	Ext. Surface Area/Pound (ft <sup>2</sup> /lb)
6		0.00	(4/6) 5	162	4,000	0.0131	0	0.0000
8	<b>0.1</b>	0.05	(6/8) 7	455	2,830	0.0093	15	0.0040
10	<b>7.9</b>	3.80	(8/10) 9	985	2,109	0.0069	2,536	0.3814
12	<b>34.3</b>	16.50	(10/12) 11	1,825	1,695	0.0056	20,397	1.9826
14	<b>40</b>	19.24	(12/14) 13	4,300	1,414	0.0046	56,044	3.7892
16	<b>30.3</b>	14.57	(14/16) 15	5,700	1,210	0.0040	56,276	2.7862
18	<b>30.8</b>	14.81	(16/18) 17	7,300	1,056	0.0035	73,262	2.7626
20	<b>43.6</b>	20.97	(18/20) 19	9,500	936	0.0031	134,963	3.9984
25		0.00	(20/25) 22.5	14,500	779	0.0026	0	0.0000
30	<b>19.6</b>	9.43	(25/30) 27.5	26,500	626	0.0021	169,241	2.2427
35		0.00	(30/35) 32.5	46,000	522	0.0017	0	0.0000
40	<b>1.2</b>	0.58	(35/40) 37.5	76,000	447	0.0015	29,717	0.2008
45		0.00	(40/45) 42.5	120,000	390	0.0013	0	0.0000
50	<b>0.1</b>	0.05	(45/50) 47.5	175,000	345	0.0011	5,702	0.0230
60	<b>0</b>	0.00	(50/60) 55	285,000	294	0.0010	0	0.0000
100	<b>0</b>	0.00	(60/100) 80	809,674	177	0.0006	0	0.0000
Pan	<b>0</b>	0.00	(-100) 209	15,470,594	69	0.0002	0	0.0000
Total: %	207.9	100.00				SUM:	<b>548,151</b>	<b>18.17</b>

FIG. 26

2702

Bulk Density (lbs/ft<sup>3</sup>): 7.5

Wood fiber

Screen size (U.S. mesh)	Amt. retained (g)	% wt. retained	Average mesh	Multiplier (ASTM)	Ave. particle size (micron)	Ave. particle size (ft)	particle count/lb	Ext. Surface Area/Pound (ft <sup>2</sup> /lb)
6		0.00	(4/6) 5	162	4,000	0.0131	0	0.0000
8		0.00	(6/8) 7	455	2,830	0.0093	0	0.0000
10	<b>9.2</b>	9.58	(8/10) 9	985	2,109	0.0069	39,673	5.9671
12	<b>32.9</b>	34.27	(10/12) 11	1,825	1,695	0.0056	262,861	25.5509
14	<b>23.1</b>	24.06	(12/14) 13	4,300	1,414	0.0046	434,859	29.4013
16	<b>14.8</b>	15.42	(14/16) 15	5,700	1,210	0.0040	369,321	18.2850
18	<b>5.7</b>	5.94	(16/18) 17	7,300	1,056	0.0035	182,165	6.8693
20	<b>6.5</b>	6.77	(18/20) 19	9,500	936	0.0031	270,336	8.0090
25	<b>2.1</b>	2.19	(20/25) 22.5	14,500	779	0.0026	133,308	2.7356
30	<b>0.5</b>	0.52	(25/30) 27.5	26,500	626	0.0021	58,007	0.7687
35		0.00	(30/35) 32.5	46,000	522	0.0017	0	0.0000
40	<b>0.5</b>	0.52	(35/40) 37.5	76,000	447	0.0015	166,361	1.1241
45		0.00	(40/45) 42.5	120,000	390	0.0013	0	0.0000
50	<b>0.3</b>	0.31	(45/50) 47.5	175,000	345	0.0011	229,841	0.9251
60	<b>0.1</b>	0.10	(50/60) 55	285,000	294	0.0010	124,771	0.3647
100	<b>0.1</b>	0.10	(60/100) 80	809,674	177	0.0006	354,469	0.3755
Pan	<b>0.2</b>	0.21	(-100) 209	15,470,594	69	0.0002	13,545,800	2.1808
Total: %	96	100.00				SUM:	<b>16,171,772</b>	<b>102.56</b>

FIG. 27

**2802**

<b>Barley</b>		<b>Bulk Density (lbs/ft<sup>3</sup>): 49.7</b>						
Screen size (U.S. mesh)	Amt. retained (g)	% wt. retained	Average mesh	Multiplier (ASTM)	Ave. particle size (micron)	Ave. particle size (ft)	particle count/lb	Ext. Surface Area/Pound (ft <sup>2</sup> /lb)
6		0.00	(4/6) 5	162	4,000	0.0131	0	0.0000
8		0.00	(6/8) 7	455	2,830	0.0093	0	0.0000
10	<b>0.9</b>	0.45	(8/10) 9	985	2,109	0.0069	281	0.0422
12	<b>11.7</b>	5.85	(10/12) 11	1,825	1,695	0.0056	6,762	0.6573
14	<b>93.5</b>	46.73	(12/14) 13	4,300	1,414	0.0046	127,324	8.6085
16	<b>75</b>	37.48	(14/16) 15	5,700	1,210	0.0040	135,384	6.7028
18	<b>17.8</b>	8.90	(16/18) 17	7,300	1,056	0.0035	41,150	1.5517
20	<b>0.8</b>	0.40	(18/20) 19	9,500	936	0.0031	2,407	0.0713
25		0.00	(20/25) 22.5	14,500	779	0.0026	0	0.0000
30		0.00	(25/30) 27.5	26,500	626	0.0021	0	0.0000
35		0.00	(30/35) 32.5	46,000	522	0.0017	0	0.0000
40		0.00	(35/40) 37.5	76,000	447	0.0015	0	0.0000
45		0.00	(40/45) 42.5	120,000	390	0.0013	0	0.0000
50		0.00	(45/50) 47.5	175,000	345	0.0011	0	0.0000
60		0.00	(50/60) 55	285,000	294	0.0010	0	0.0000
100		0.00	(60/100) 80	809,674	177	0.0006	0	0.0000
Pan	<b>0.4</b>	0.20	(-100) 209	15,470,594	69	0.0002	1,959,738	0.3155
Total: %	200.1	100.00				SUM:	<b>2,273,046</b>	<b>17.95</b>

**FIG. 28**

**2902**  
**Engineered light weight sodium bentonite (-12/+40) Bulk Density (lbs/ft<sup>3</sup>): 49.66**

Screen size (U.S. mesh)	Amt. retained (g)	% wt. retained	Average mesh	Multiplier (ASTM)	Ave. particle size (micron)	Ave. particle size (ft)	particle count/lb	Ext. Surface Area/Pound (ft <sup>2</sup> /lb)
6		0.00	(4/6) 5	162	4,000	0.0131	0	0.0000
8		0.00	(6/8) 7	455	2,830	0.0093	0	0.0000
10	<b>0</b>	0.00	(8/10) 9	985	2,109	0.0069	0	0.0000
12	<b>0.1</b>	0.05	(10/12) 11	1,825	1,695	0.0056	63	0.0061
14	<b>10.7</b>	5.79	(12/14) 13	4,300	1,414	0.0046	15,784	1.0672
16	<b>41</b>	22.17	(14/16) 15	5,700	1,210	0.0040	80,173	3.9693
18	<b>36.9</b>	19.96	(16/18) 17	7,300	1,056	0.0035	92,409	3.4847
20	<b>38.1</b>	20.61	(18/20) 19	9,500	936	0.0031	124,170	3.6786
25	<b>20.4</b>	11.03	(20/25) 22.5	14,500	779	0.0026	101,476	2.0824
30	<b>14.9</b>	8.06	(25/30) 27.5	26,500	626	0.0021	135,456	1.7950
35		0.00	(30/35) 32.5	46,000	522	0.0017	0	0.0000
40	<b>18.7</b>	10.11	(35/40) 37.5	76,000	447	0.0015	487,553	3.2943
45		0.00	(40/45) 42.5	120,000	390	0.0013	0	0.0000
50	<b>2.7</b>	1.46	(45/50) 47.5	175,000	345	0.0011	162,095	0.6524
60	<b>0.2</b>	0.11	(50/60) 55	285,000	294	0.0010	19,554	0.0572
100	<b>0.2</b>	0.11	(60/100) 80	809,674	177	0.0006	55,553	0.0589
Pan	<b>1</b>	0.54	(-100) 209	15,470,594	69	0.0002	5,307,303	0.8545
Total: %	184.9	100.00				SUM:	<b>6,581,590</b>	<b>21.00</b>

**FIG. 29**

**3002**  
**Wyo-Ben FS-30 Sodium Bentonite (-12/+40) R-11-912 Bulk Density (lbs/ft<sup>3</sup>): 65.74**

Screen size (U.S. mesh)	Amt. retained (g)	% wt. retained	Average mesh	Multiplier (ASTM)	Ave. particle size (micron)	Ave. particle size (ft)	particle count/lb	Ext. Surface Area/Pound (ft <sup>2</sup> /lb)
6		0.00	(4/6) 5	162	4,000	0.0131	0	0.0000
8		0.00	(6/8) 7	455	2,830	0.0093	0	0.0000
10	<b>0</b>	0.00	(8/10) 9	985	2,109	0.0069	0	0.0000
12	<b>0.3</b>	0.10	(10/12) 11	1,825	1,695	0.0056	91	0.0089
14	<b>13.4</b>	4.67	(12/14) 13	4,300	1,414	0.0046	9,623	0.6506
16	<b>26.2</b>	9.13	(14/16) 15	5,700	1,210	0.0040	24,942	1.2349
18	<b>31.6</b>	11.01	(16/18) 17	7,300	1,056	0.0035	38,527	1.4528
20	<b>35.3</b>	12.30	(18/20) 19	9,500	936	0.0031	56,008	1.6593
25	<b>46.3</b>	16.14	(20/25) 22.5	14,500	779	0.0026	112,124	2.3009
30	<b>54.7</b>	19.07	(25/30) 27.5	26,500	626	0.0021	242,094	3.2081
35		0.00	(30/35) 32.5	46,000	522	0.0017	0	0.0000
40	<b>70.1</b>	24.43	(35/40) 37.5	76,000	447	0.0015	889,779	6.0120
45		0.00	(40/45) 42.5	120,000	390	0.0013	0	0.0000
50	<b>8.3</b>	2.89	(45/50) 47.5	175,000	345	0.0011	242,586	0.9764
60	<b>0.5</b>	0.17	(50/60) 55	285,000	294	0.0010	23,799	0.0696
100	<b>0.1</b>	0.03	(60/100) 80	809,674	177	0.0006	13,523	0.0143
Pan	<b>0.1</b>	0.03	(-100) 209	15,470,594	69	0.0002	258,379	0.0416
Total: %	286.9	100.00				SUM:	<b>1,911,475</b>	<b>17.63</b>

**FIG. 30**

3102

BL-RVM (-10/+24) R-11-260

Bulk Density (lbs/ft<sup>3</sup>): 42.1

Screen size (U.S. mesh)	Amt. retained (g)	% wt. retained	Average mesh	Multiplier (ASTM)	Ave. particle size (micron)	Ave. particle size (ft)	particle count/lb	Ext. Surface Area/Pound (ft <sup>2</sup> /lb)
6		0.00	(4/6) 5	162	4,000	0.0131	0	0.0000
8		0.00	(6/8) 7	455	2,830	0.0093	0	0.0000
10	<b>0.4</b>	0.19	(8/10) 9	985	2,109	0.0069	137	0.0206
12	<b>8.8</b>	4.08	(10/12) 11	1,825	1,695	0.0056	5,572	0.5416
14	<b>37.9</b>	17.58	(12/14) 13	4,300	1,414	0.0046	56,544	3.8230
16	<b>43.7</b>	20.27	(14/16) 15	5,700	1,210	0.0040	86,424	4.2788
18	<b>44.6</b>	20.69	(16/18) 17	7,300	1,056	0.0035	112,962	4.2597
20	<b>39.4</b>	18.27	(18/20) 19	9,500	936	0.0031	129,866	3.8474
25	<b>32.4</b>	15.03	(20/25) 22.5	14,500	779	0.0026	163,001	3.3449
30	<b>6.6</b>	3.06	(25/30) 27.5	26,500	626	0.0021	60,683	0.8041
35		0.00	(30/35) 32.5	46,000	522	0.0017	0	0.0000
40	<b>1.3</b>	0.60	(35/40) 37.5	76,000	447	0.0015	34,279	0.2316
45		0.00	(40/45) 42.5	120,000	390	0.0013	0	0.0000
50	<b>0.2</b>	0.09	(45/50) 47.5	175,000	345	0.0011	12,144	0.0489
60	<b>0</b>	0.00	(50/60) 55	285,000	294	0.0010	0	0.0000
100	<b>0.1</b>	0.05	(60/100) 80	809,674	177	0.0006	28,092	0.0298
Pan	<b>0.2</b>	0.09	(-100) 209	15,470,594	69	0.0002	1,073,528	0.1728
Total: %	215.6	100.00				SUM:	<b>1,763,232</b>	<b>21.40</b>

FIG. 31



3202

**GA-RVM (-12/+24) out of GA (R-10-663)**

**Bulk Density (lbs/ft<sup>3</sup>): 32.5**

Screen size (U.S. mesh)	Amt. retained (g)	% wt. retained	Average mesh	Multiplier (ASTM)	Ave. particle size (micron)	Ave. particle size (ft)	particle count/lb	Ext. Surface Area/Pound (ft <sup>2</sup> /lb)	Average particle size, micron
6		0.00	(4/6) 5	162	4,000	0.0131	0	0.0000	0
8		0.00	(6/8) 7	455	2,830	0.0093	0	0.0000	0
10	<b>0</b>	0.00	(8/10) 9	985	2,109	0.0069	0	0.0000	0
12	<b>0.5</b>	0.17	(10/12) 11	1,825	1,695	0.0056	294	0.0286	2.823834
14	<b>56.1</b>	18.69	(12/14) 13	4,300	1,414	0.0046	77,779	5.2587	264.2418
16	<b>78.1</b>	26.02	(14/16) 15	5,700	1,210	0.0040	143,534	7.1063	314.7935
18	<b>63.2</b>	21.05	(16/18) 17	7,300	1,056	0.0035	148,754	5.6094	222.3158
20	<b>70</b>	23.32	(18/20) 19	9,500	936	0.0031	214,413	6.3522	218.2545
25	<b>22.8</b>	7.59	(20/25) 22.5	14,500	779	0.0026	106,594	2.1874	59.16456
30	<b>6.4</b>	2.13	(25/30) 27.5	26,500	626	0.0021	54,683	0.7246	13.34577
35		0.00	(30/35) 32.5	46,000	522	0.0017	0	0.0000	0
40	<b>2.3</b>	0.77	(35/40) 37.5	76,000	447	0.0015	56,360	0.3808	3.424717
45		0.00	(40/45) 42.5	120,000	390	0.0013	0	0.0000	0
50	<b>0.5</b>	0.17	(45/50) 47.5	175,000	345	0.0011	28,212	0.1136	0.574617
60	<b>0.1</b>	0.03	(50/60) 55	285,000	294	0.0010	9,189	0.0269	0.097935
100	<b>0</b>	0.00	(60/100) 80	809,674	177	0.0006	0	0.0000	0
Pan	<b>0.2</b>	0.07	(-100) 209	15,470,594	69	0.0002	997,622	0.1606	0.045969
Total: %	300.2	100.00				SUM:	<b>1,837,434</b>	<b>27.95</b>	<b>1099.083</b>

**FIG. 32**

3302

TF-RVM (-10/+24)

Bulk Density (lbs/ft<sup>3</sup>): 40.0

Screen size (U.S. mesh)	Amt. retained (g)	% wt. retained	Average mesh	Multiplier (ASTM)	Ave. particle size (micron)	Ave. particle size (ft)	particle count/lb	Ext. Surface Area/Pound (ft <sup>2</sup> /lb)	Average particle size, micron
6		0.00	(4/6) 5	162	4,000	0.0131	0	0.0000	0
8		0.00	(6/8) 7	455	2,830	0.0093	0	0.0000	0
10	<b>1.6</b>	1.60	(8/10) 9	985	2,109	0.0069	1,241	0.1867	33.744
12	<b>5</b>	5.00	(10/12) 11	1,825	1,695	0.0056	7,186	0.6985	84.7715
14	<b>13.2</b>	13.20	(12/14) 13	4,300	1,414	0.0046	44,699	3.0221	186.648
16	<b>17.9</b>	17.90	(14/16) 15	5,700	1,210	0.0040	80,349	3.9780	216.59
18	<b>16.7</b>	16.70	(16/18) 17	7,300	1,056	0.0035	96,004	3.6202	176.352
20	<b>20.8</b>	20.80	(18/20) 19	9,500	936	0.0031	155,610	4.6101	194.688
25	<b>10.7</b>	10.70	(20/25) 22.5	14,500	779	0.0026	122,181	2.5072	83.353
30	<b>7.3</b>	7.30	(25/30) 27.5	26,500	626	0.0021	152,342	2.0188	45.698
35		0.00	(30/35) 32.5	46,000	522	0.0017	0	0.0000	0
40	<b>6</b>	6.00	(35/40) 37.5	76,000	447	0.0015	359,100	2.4263	26.82
45		0.00	(40/45) 42.5	120,000	390	0.0013	0	0.0000	0
50	<b>0.3</b>	0.30	(45/50) 47.5	175,000	345	0.0011	41,344	0.1664	1.035
60	<b>0</b>	0.00	(50/60) 55	285,000	294	0.0010	0	0.0000	0
100	<b>0</b>	0.00	(60/100) 80	809,674	177	0.0006	0	0.0000	0
Pan	<b>0.5</b>	0.50	(-100) 209	15,470,594	69	0.0002	6,091,546	0.9807	0.345
Total: %	100	100.00				SUM:	<b>7,151,601</b>	<b>24.22</b>	<b>1050.045</b>

FIG. 33

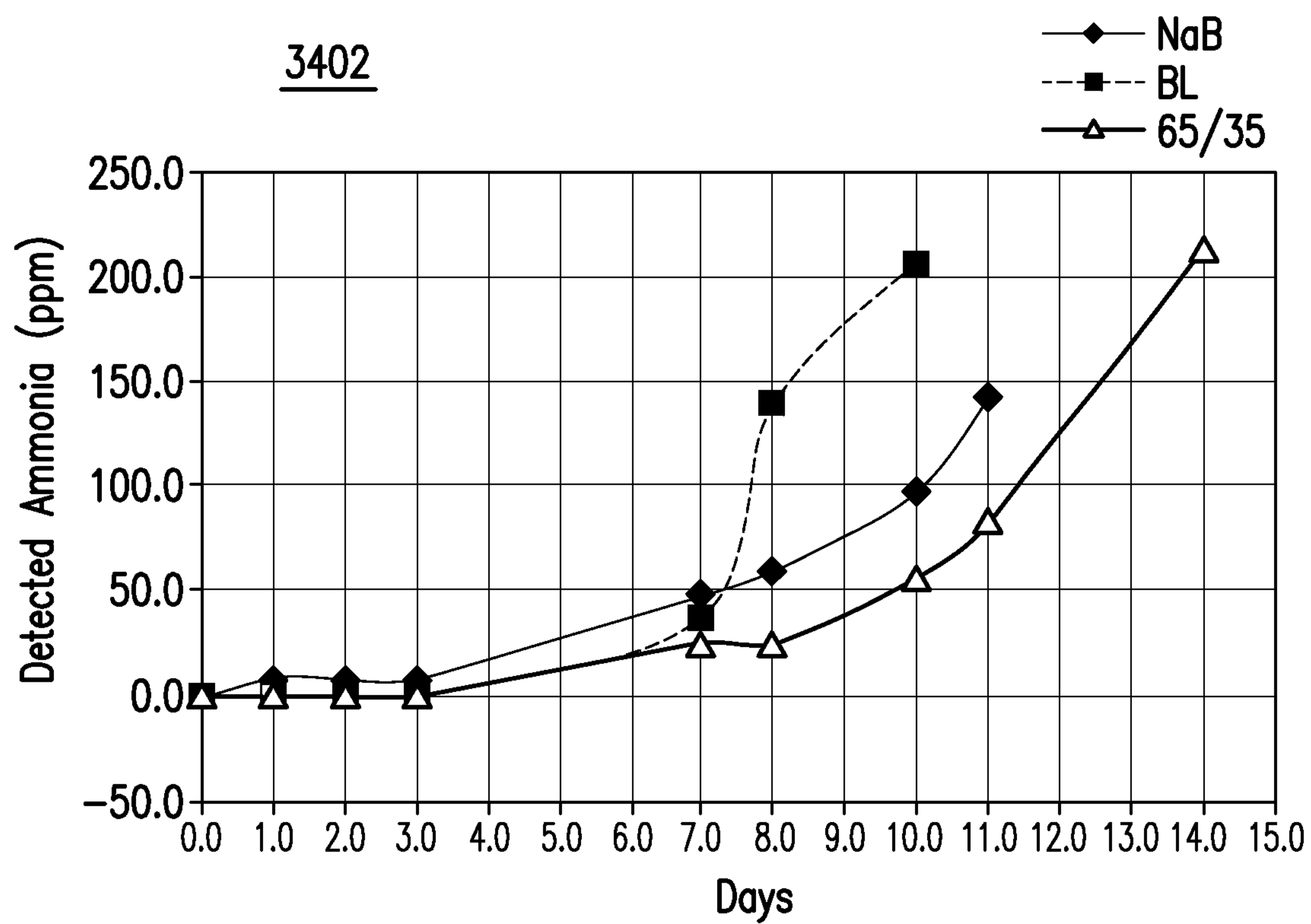


FIG.34

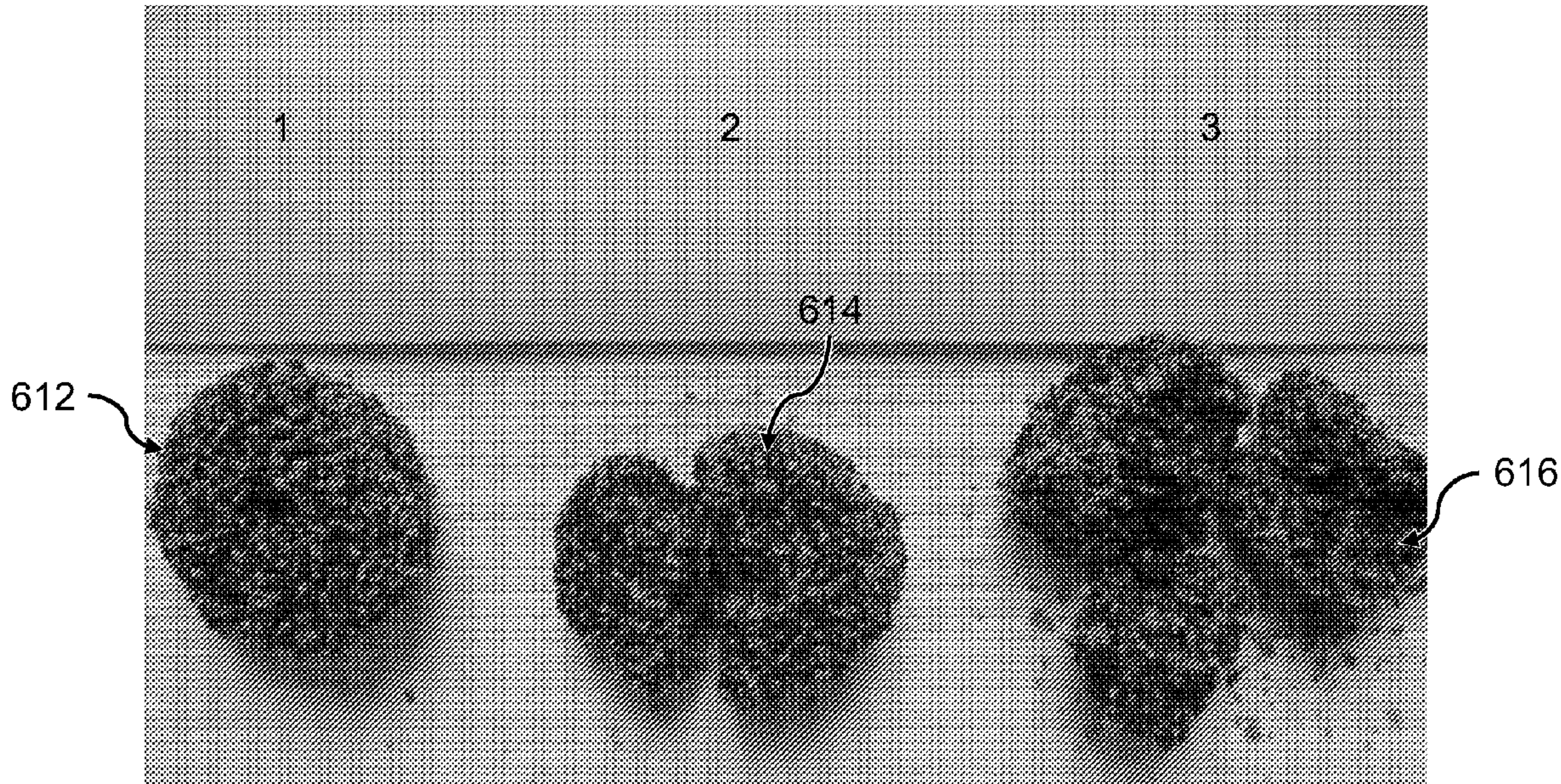


FIG. 6