



US00D435899S

(12) **United States Design Patent**  
**Melwani**

(10) **Patent No.:** **US D435,899 S**

(45) **Date of Patent:** **\*\* Jan. 2, 2001**

- (54) **ELECTRIC FAN WITH CLAMP**
- (75) Inventor: **Ravin G Melwani, Hong Kong (HK)**
- (73) Assignee: **B.K. Rehkatex (H.K.) Ltd., Central (HK)**
- (\*\*) Term: **14 Years**

- (21) Appl. No.: **29/114,067**
- (22) Filed: **Nov. 15, 1999**

- (51) **LOC (7) Cl.** ..... **23-04**
- (52) **U.S. Cl.** ..... **D23/382**
- (58) **Field of Search** ..... D23/381, 382,  
D23/370; D8/395; 416/142, 244, 246, 247

(56) **References Cited**

**U.S. PATENT DOCUMENTS**

- D. 295,070 \* 4/1988 Shin-Chin ..... D23/382
- D. 387,153 \* 12/1997 Fok ..... D23/382

\* cited by examiner

*Primary Examiner*—Lisa Lichtenstein

(74) *Attorney, Agent, or Firm*—Leydig, Voit & Mayer, Ltd.

(57) **CLAIM**

The ornamental design for an electric fan with clamp, as shown and described.

**DESCRIPTION**

FIG. 1 is an exploded front, right side and top perspective view of an electric fan with clamp showing my new design; FIG. 2 is a front elevational view of the fan shown separately for clarity of illustration;

FIG. 3 is a rear elevational view of FIG. 2;

FIG. 4 is a right side elevational view of FIG. 2;

FIG. 5 is a left side elevational view of FIG. 2;

FIG. 6 is a top plan view of FIG. 2;

FIG. 7 is a bottom plan view of FIG. 2;

FIG. 8 is a front elevational view of the clamp shown separately for clarity of illustration;

FIG. 9 is a rear elevational view of FIG. 8;

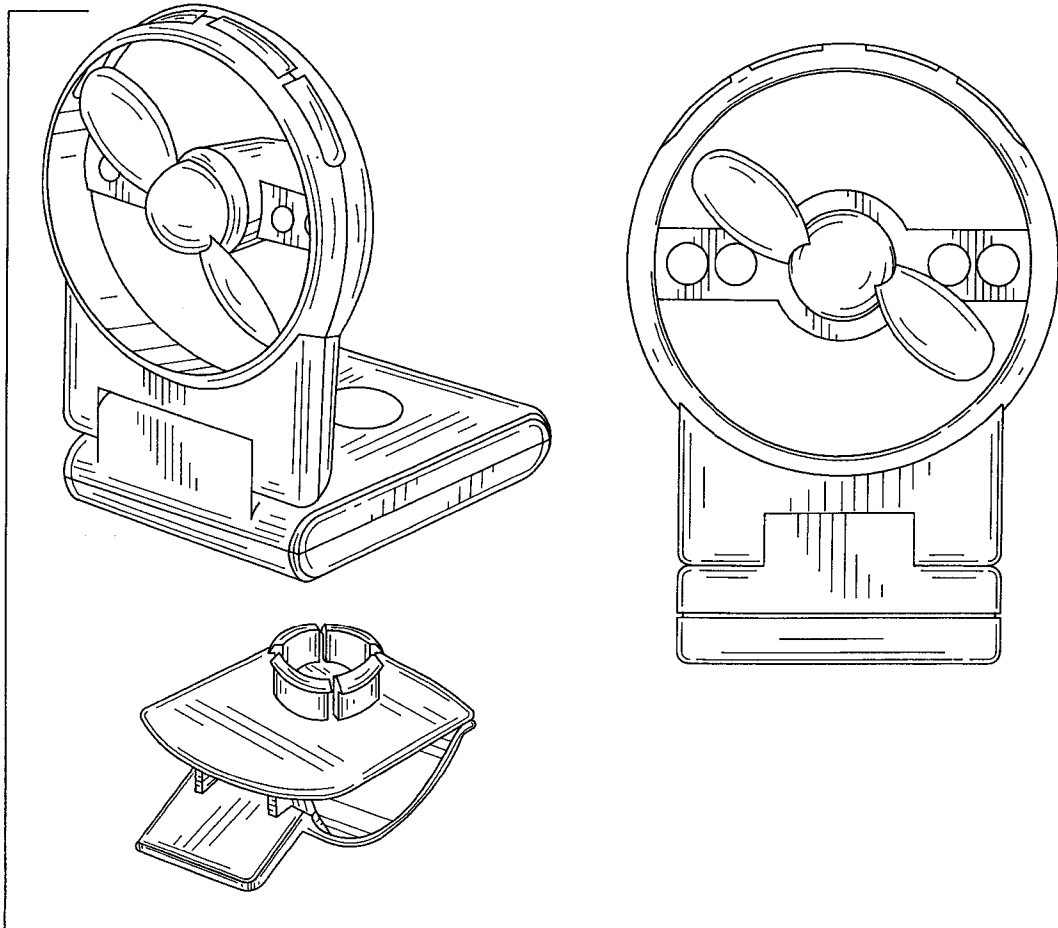
FIG. 10 is a right side elevational view of FIG. 8;

FIG. 11 is a left side elevational view of FIG. 8;

FIG. 12 is a top plan view of FIG. 8; and,

FIG. 13 is a bottom plan view of FIG. 8.

**1 Claim, 6 Drawing Sheets**



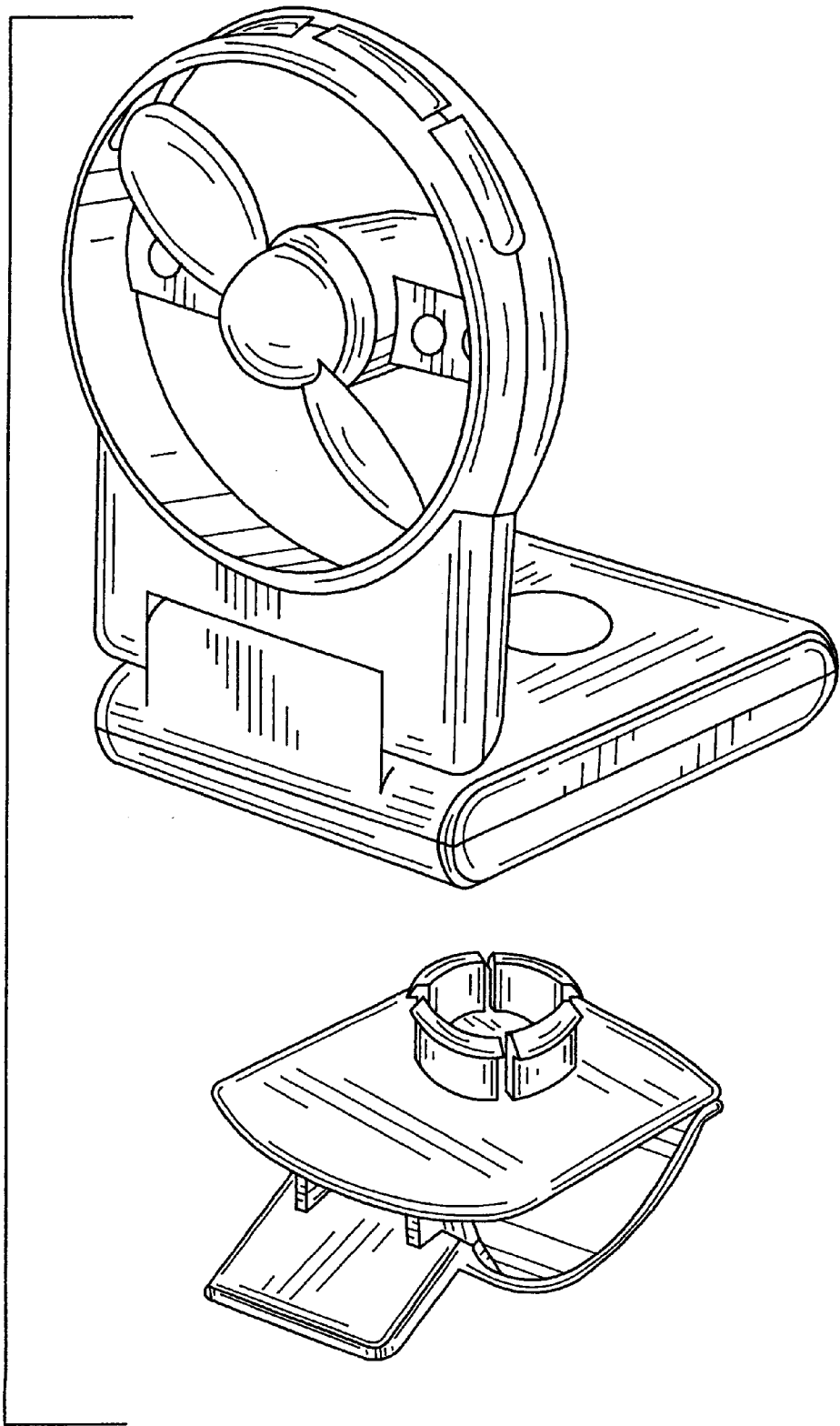


FIG. 1

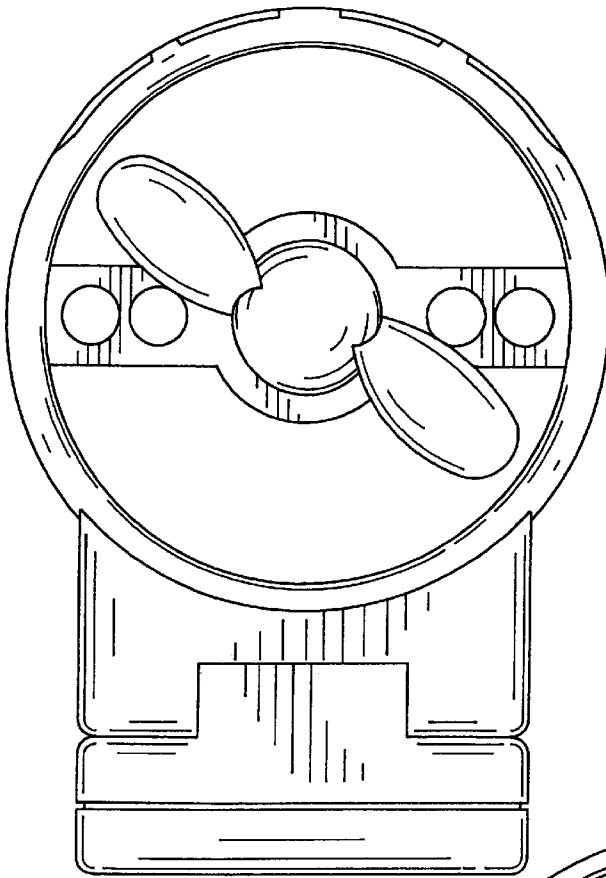


FIG. 2

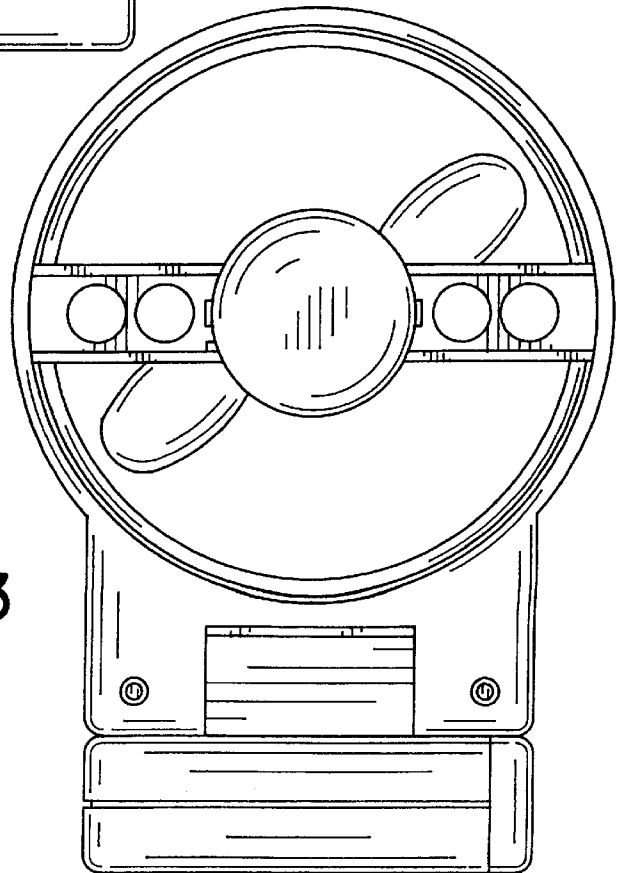


FIG. 3

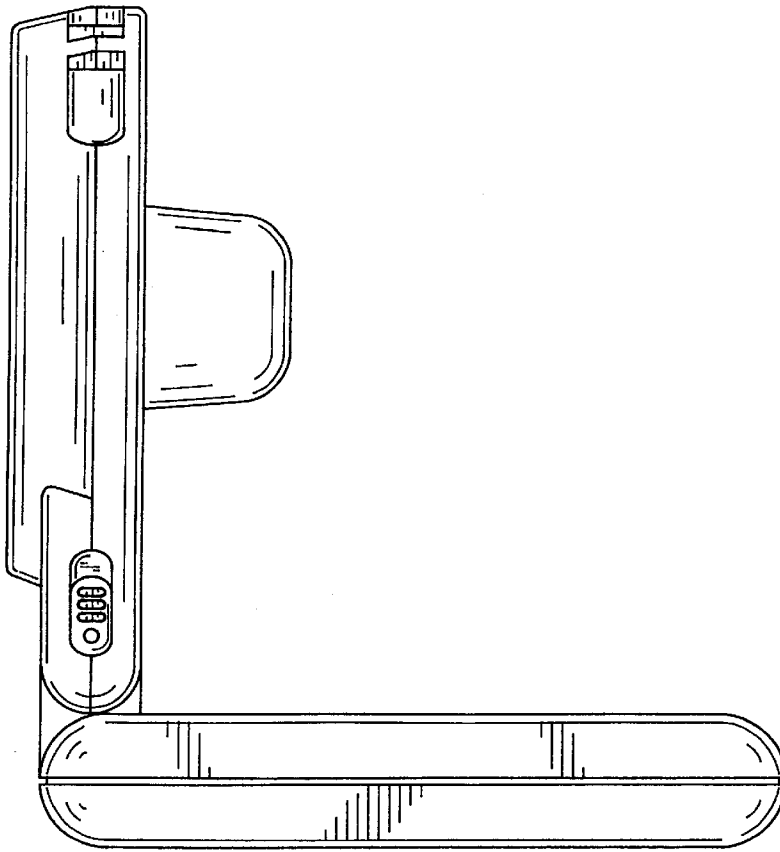


FIG. 4

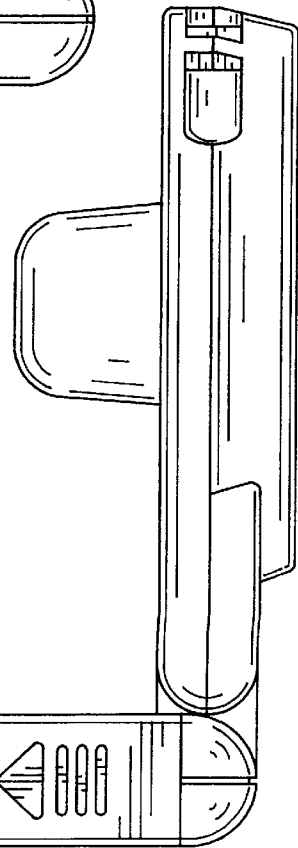


FIG. 5

FIG. 6

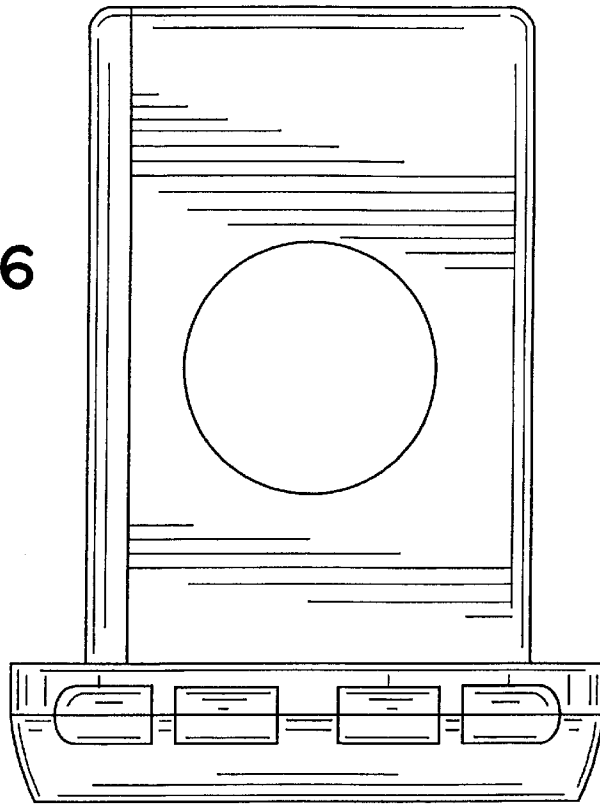
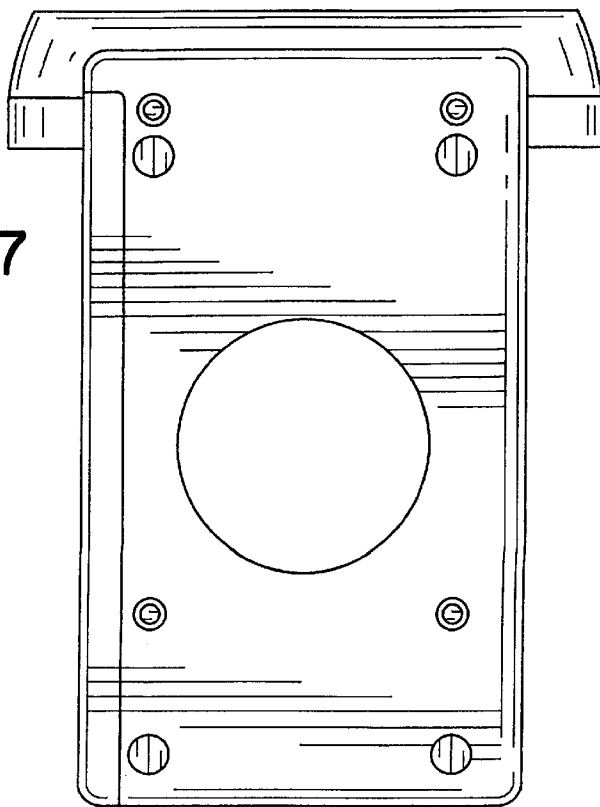


FIG. 7



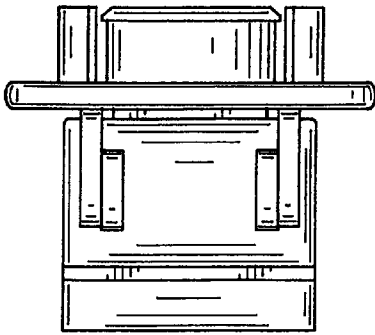


FIG. 8

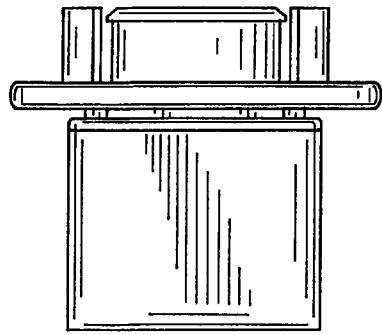


FIG. 9

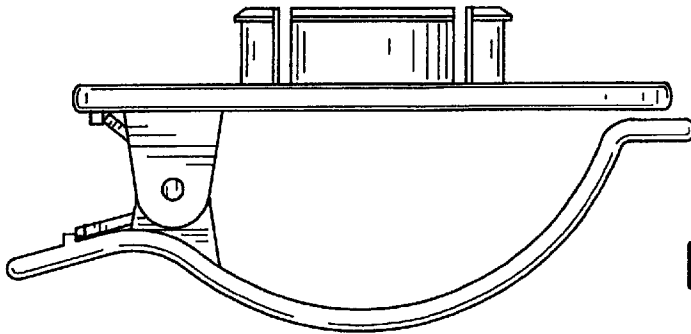


FIG. 10

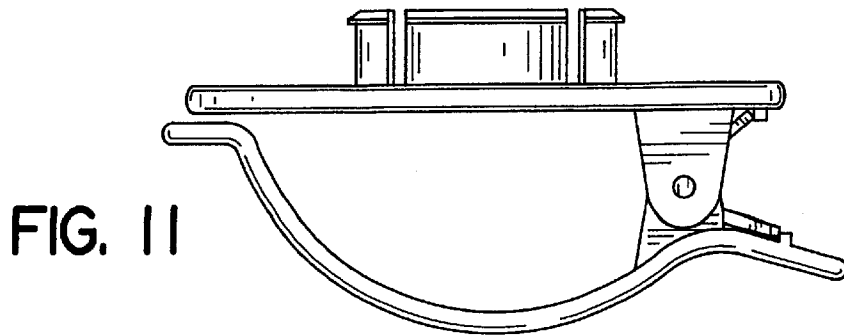


FIG. 11

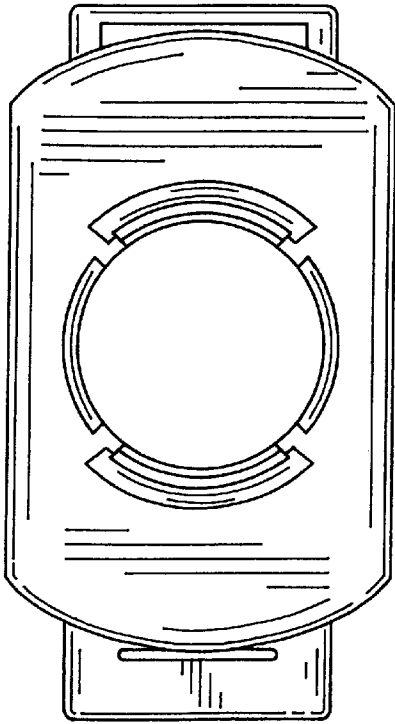


FIG. 12

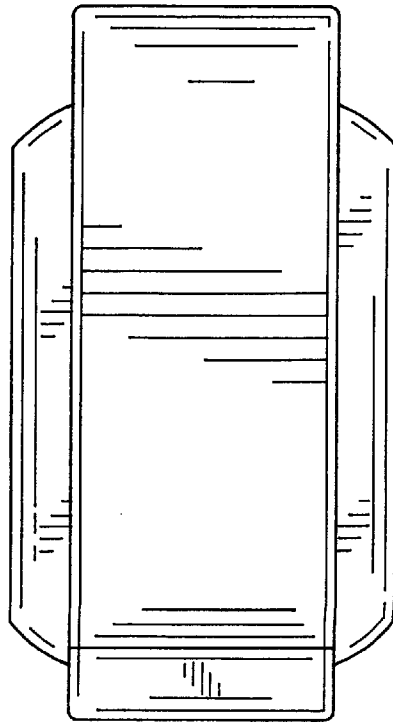


FIG. 13