



INTERNATIONAL APPLICATION PUBLISHED UNDER THE PATENT COOPERATION TREATY (PCT)

<p>(51) International Patent Classification ⁷ : A61B 17/86, F16B 31/02</p>	<p>A1</p>	<p>(11) International Publication Number: WO 00/07512</p> <p>(43) International Publication Date: 17 February 2000 (17.02.00)</p>
<p>(21) International Application Number: PCT/GB99/02558</p> <p>(22) International Filing Date: 4 August 1999 (04.08.99)</p> <p>(30) Priority Data: 9816962.6 4 August 1998 (04.08.98) GB</p> <p>(71) Applicant (for all designated States except US): V O DESIGN AND INNOVATIONS LIMITED [GB/GB]; 36 Bray Bank, Old Mill Lane, Bray, Maidenhead, Berkshire SL6 2BG (GB).</p> <p>(72) Inventors; and (75) Inventors/Applicants (for US only): DALL, Vagn-Erik [GB/GB]; 36 Bray Bank, Old Mill Lane, Bray, Maidenhead, Berkshire SL6 2BG (GB). REED, David, J. [GB/GB]; 4 Blackstock Close, Sheffield S14 1AE (GB). LAWES, Peter [GB/GB]; 18 Laburnham Road, Maidenhead SL6 4DB (GB).</p> <p>(74) Agent: HITCHCOCK, Esmond; Lloyd Wise, Tregear & Co., Commonwealth House, 1-19 New Oxford Street, London WC1A 1LW (GB).</p>		<p>(81) Designated States: AE, AL, AM, AT, AU, AZ, BA, BB, BG, BR, BY, CA, CH, CN, CU, CZ, DE, DK, EE, ES, FI, GB, GD, GE, GH, GM, HR, HU, ID, IL, IN, IS, JP, KE, KG, KP, KR, KZ, LC, LK, LR, LS, LT, LU, LV, MD, MG, MK, MN, MW, MX, NO, NZ, PL, PT, RO, RU, SD, SE, SG, SI, SK, SL, TJ, TM, TR, TT, UA, UG, US, UZ, VN, YU, ZA, ZW, ARIPO patent (GH, GM, KE, LS, MW, SD, SL, SZ, UG, ZW), Eurasian patent (AM, AZ, BY, KG, KZ, MD, RU, TJ, TM), European patent (AT, BE, CH, CY, DE, DK, ES, FI, FR, GB, GR, IE, IT, LU, MC, NL, PT, SE), OAPI patent (BF, BJ, CF, CG, CI, CM, GA, GN, GW, ML, MR, NE, SN, TD, TG).</p> <p>Published With international search report.</p>
<p>(54) Title: TOOL FOR SHEARING BOLTS</p>		
<p>(57) Abstract</p>		
<p>A tool for breaking a shaft comprises two aligned tubular elements (20, 22), each having an end portion for receiving a contiguous length of the same shaft (2). Means are provided for locking each end portion against rotation relative to the shaft length received therein, and the elements are adapted for rotation relative to one another with the end portions so locked, to relatively twist the shaft lengths and shear the lengths at the interface between them. The element end portions will normally have juxtaposed faces, and it is preferred that the faces are moved towards each other during the relative rotation and as the shaft lengths are twisted relative to each other. This assists in achieving a substantially planar face at the fracture plane. A compressible washer may be disposed between the juxtaposed faces. This can stabilise the moving parts as the shaft is broken, although normally screw threads on the tubular elements will effect the movement of the element towards each other, and this in itself may provide sufficient stability.</p>		

FOR THE PURPOSES OF INFORMATION ONLY

Codes used to identify States party to the PCT on the front pages of pamphlets publishing international applications under the PCT.

AL	Albania	ES	Spain	LS	Lesotho	SI	Slovenia
AM	Armenia	FI	Finland	LT	Lithuania	SK	Slovakia
AT	Austria	FR	France	LU	Luxembourg	SN	Senegal
AU	Australia	GA	Gabon	LV	Latvia	SZ	Swaziland
AZ	Azerbaijan	GB	United Kingdom	MC	Monaco	TD	Chad
BA	Bosnia and Herzegovina	GE	Georgia	MD	Republic of Moldova	TG	Togo
BB	Barbados	GH	Ghana	MG	Madagascar	TJ	Tajikistan
BE	Belgium	GN	Guinea	MK	The former Yugoslav Republic of Macedonia	TM	Turkmenistan
BF	Burkina Faso	GR	Greece	ML	Mali	TR	Turkey
BG	Bulgaria	HU	Hungary	MN	Mongolia	TT	Trinidad and Tobago
BJ	Benin	IE	Ireland	MR	Mauritania	UA	Ukraine
BR	Brazil	IL	Israel	MW	Malawi	UG	Uganda
BY	Belarus	IS	Iceland	MX	Mexico	US	United States of America
CA	Canada	IT	Italy	NE	Niger	UZ	Uzbekistan
CF	Central African Republic	JP	Japan	NL	Netherlands	VN	Viet Nam
CG	Congo	KE	Kenya	NO	Norway	YU	Yugoslavia
CH	Switzerland	KG	Kyrgyzstan	NZ	New Zealand	ZW	Zimbabwe
CI	Côte d'Ivoire	KP	Democratic People's Republic of Korea	PL	Poland		
CM	Cameroon	KR	Republic of Korea	PT	Portugal		
CN	China	KZ	Kazakstan	RO	Romania		
CU	Cuba	LC	Saint Lucia	RU	Russian Federation		
CZ	Czech Republic	LI	Liechtenstein	SD	Sudan		
DE	Germany	LK	Sri Lanka	SE	Sweden		
DK	Denmark	LR	Liberia	SG	Singapore		
EE	Estonia						

TOOL FOR SHEARING BOLTS

This invention relates to the breaking of shafts, normally metallic shafts, in which contiguous shaft lengths are twisted relative to one another to break the shaft along a fracture plain. The invention has particular application to lockable screw assemblies in which a shaft is broken at a fracture plane substantially aligned to the exposed surface of a nut located and typically locked thereon. This Application is of especial value in surgical applications where such a screw assembly is used as a cortical bone screw, whose length is immediately adaptable to an individual situation.

In a number of fields there is a need for screws and bolts which can be used to a given, undefined length, but which cannot tolerate a length of screw projecting from an exposed surface. Particularly in surgical situations it has been necessary to carefully select a cortical bone screw of the right length in order to ensure that a plate may be attached to a bone with a substantially smooth surface at the exposed face of the plate.

According to the present invention, a tool for breaking a shaft comprises two aligned tubular elements, each having an end portion for receiving a contiguous length of the same shaft. Means are provided for locking each end portion against rotation relative to the shaft length received therein, and the elements are adapted for rotation relative to one another with the end portions so locked, to relatively twist the shaft lengths and shear the lengths at the interface between them. The element end portions will normally have juxtaposed faces, and it is preferred that the faces are moved towards each other during the relative rotation and as the shaft lengths are twisted relative to each other. This assists in achieving a substantially planar face at the fracture plane. A compressible washer may be disposed between the juxtaposed faces. This can stabilise the moving parts as the shaft is broken, although normally screw threads on the tubular elements will effect the movement of the element towards each other, and this in itself may provide sufficient stability.

be co-axially aligned. However, there can be some benefit in having the shaft to be broken installed in the tool along an axis offset from the common axis of the operative elements. This generates some additional shear forces in the shaft contributing to the creation of a flat surface along the fracture plane, although it will be appreciated that the increase of shear forces at one point in the cross section of the shaft will of course result in a decrease of the shear forces at opposite location on the fracture plane. In these arrangements, whether or not the shaft is disposed eccentrically relative to the tubular elements, the tubular elements are preferably themselves telescopically engaged, thereby assisting in the preservation of the co-axial alignment.

Different techniques may be used to lock the contiguous length of the shaft relative to the respective elements of the tool. One mechanism comprises a gripping component at the end of each tubular element, with a sleeve disposed therebetween. The sleeve has convergant frustoconical surfaces aligned with the gripping components, and means are provided for urging the components towards one another over the frustoconical surfaces, and thereby radially inward to engage and grip a shaft. In a preferred embodiment, the gripping components are disposed between the juxtaposed faces of the tubular elements, as such that as the tubular elements move towards each other as they are relatively rotated, the gripping elements are activated into engaging a shaft.

The gripping components in the above described mechanism can each take the form of an annular array of cranate segments with gripping surfaces directed towards the shaft. This type of mechanism is particularly suited to use on shafts with irregular outer surfaces, such as those bearing a screw thread. As the gripping components engage the shaft, they can cut into this surface or threads to ensure effective contact is made. If the shaft has an overall non-circular cross-section, then the configuration of the gripping components can be correspondingly adapted.

Another locking mechanism relies on the specific provision in the end

of the shaft, which itself has to be non-circular. With the tool in place, and the shaft received in the openings in the end portions of both elements, relative rotation of the tubular elements imposes corresponding relative rotation on the shaft resulting in breakage of the shaft along a fracture plane corresponding to the abutment between the respective end portions. This variant of the invention has particular relevance to the surgical applications referred to above, in which a nut is located on the threaded shaft and is to be locked at a selected axial location. In this variant, a tool according to the invention can be adapted to be used for breaking a threaded shaft bearing a nut, the shaft having an external form thereon in at least two axially extending arc sections. The nut has an axial end section complementing the non-circular section of the shaft, forming therewith one orientation, an extended non-circular cross section matching that of the opening in the end portion of one tubular element of the tool. The cross section of the shaft itself, of course, matches the opening in the end portion of the other element. In a particular use of the above machine, the present invention also provides a screw assembly comprising a screw and a nut, and in which the nut can be readily located and locked at a selected axial location, and the shaft simultaneously broken at a face of the nut to leave a substantially smooth surface. The shaft has an external screw thread formed in at least two axially extending, normally parallel arc sections. The nut has a complementary internal screw thread, also in at least two arc sections, and the respective thread sections of the shaft and nut are capable of misalignment such that the nut can move translationally along the shaft without rotation, or at least without rotation with the threads engaged. With the nut close to its intended final position, it may be rotated to bring the threads into engagement, and over an extent of angular rotation to permit final tightening of the nut against the surface. The nut has an extended portion of cross-section which combines with that of the shaft when the nut is at its full extent of angular rotation to have a cross-section which can be engaged by the first element of a tool. The length of shaft projecting from

5 tool, and with the junction between the first and second elements of the tool being close to the exposed face of the extended portion of the nut, the two elements can be rotated relative to one another to break the shaft substantially at the end face of the extended nut portion. The screw thread on the shaft will normally have two axially extending diametrically opposed arc sections, with substantially parallel flanks therebetween. The extended portion of the nut in such an arrangement will comprise two castellations for alignment with the threaded arc sections at its full extend of angular orientation on the shaft.

10 We have found that in the practice of the invention, during relative rotation of the elements to twist a projecting length of shaft relative to the adjacent length thereof, shear forces are generated substantially at the plane of the twist with the result that the shaft in this plane is progressively work hardened or embrittled, and eventually broken at this plane. The same phenomenon is apparent whether or not a nut is present on the shaft. The extent and number of relative rotational movements of the two elements that is required to achieve a fracture will of course depend upon the material of the shaft and its dimensions, and upon the rate of relative rotation.

15 Generally, the slower the rate of rotation the better the work hardening effect and the smoother the surface formed at the fracture plane.

20 In addition to providing a means by which a threaded shaft can be cleanly broken at the end face of the nut, the invention also provides a means by which the threads of the shaft and nut are effectively locked to prevent relative rotation. As the projecting shaft length is twisted relative to the shaft confined in the nut, the threads on the shaft plastically deform into irregular engagement with the threads on the nut effectively locking the nut against rotation relative to the shaft. This provides additional security for an installed assembly, and enables the screw assembly to be locked and broken

25 at the desired fracture plane in effectively a single process.

30 Pursuant to the above, a method according to the invention of fitting and locking a nut on a threaded shaft in an assembly of the kind just

- 5 a) with the threads of the nut and shaft misaligned, translating the nut along the shaft until the nut engages the surface in which in which the shaft is received;
- b) rotating the nut to its full extent of angular rotation;
- c) holding the nut and shaft within the nut in their established orientation; and
- 10 d) rotating the length of shaft projecting from the extended portion of the nut to twist the shaft within the nut and lock the threads relative to one another, and to break the shaft at the end face of the extended portion of the nut.

A tool for use in the above method comprises two coaxial tubular elements relatively rotatable about their common axes, the outer element having an end with a first cross-section and the inner element having an end with a second cross-section axially spaced from the outer element end. The first cross-section is adapted to fit the combined cross-section of the shaft and extended portion of the nut in the assembly, and the second cross-section is adapted to fit around the shaft. Means are provided for rotating the inner and outer elements relative to one another, with their respective ends fitted to the shaft and nut, and to the shaft, to twist the shaft projecting from the nut relative to the shaft within the nut and thereby break the shaft in the plane at the face of the extended portion of the nut. Typically, the rotating means in tools of this invention comprises two arms extending laterally from the common axis of the elements, and in substantially the same plane. In this form, they can be easily held by two hands and brought together to effect an initial twist which serves to work harden or embrittle the material of the shaft at the fracture plane. The arms can then be forced back to their original position in a reverse motion which continues the work hardening or embrittlement process, and these movements can be repeated until the shaft fractures. Slower relative rotation of the tubular elements has been found to result in the formation of a smoother surface at the fracture plane. Generally though, two or three twisting movements over something rather less than

rotation of the tubular elements over around 135°.

5 The present invention is generally intended to be embodied in assemblies in which the shaft and nut, if used, are metallic, typically in stainless steel. For medical applications, implant quality steel should be used, a typical standard being 316L comp. D. We have found that shafts with diameters of around 3.5 mm in this material perform well as the basic component of a cortical bone screw embodying the invention, and can fracture cleanly at the exposed plane of the extended portion of the nut in two
10 relative twists of the projecting shaft through 135°. However, the invention can also be useful in breaking shafts found in other materials, including plastics materials, such as ABS.

The invention will now be described by way of example, and with reference to the accompanying schematic drawings wherein:

15 Figure 1 is a perspective view showing an assembly according to the invention comprising the shaft and nut;

Figure 2 is a longitudinal sectional view through the shaft and nut installed in a plate, and a locking tool disposed thereover;

20 Figures 3A and 3B are reduced sectional view illustrating components of the twisting tool;

Figure 4 is an enlarged sectional view illustrating an alternative locking mechanism; and

25 Figure 5 shows how eccentric movement of the tubular elements in a tool of the invention relative to the shaft, can be generated as the shear system is actuated.

30 The assembly shown in Figure 1 consists of a screw 2 having a sharp end 4 from which a removal duct 6 extends to flanks 8 cut parallel into opposite sides of the screw. As can be seen, the flanks are cut well below the root of the screw thread. The nut 10 has a generally hemi-spherical base with two upstanding projections 12 on the inner surfaces whereof are formed internal screw threads corresponding to the external thread on the shaft 2. The peripheral extent of each thread section on the projections 12 of the nut

flank 8 on the shaft 2. Thus, with the respective threads misaligned, the nut 10 can move translationally along the shaft 2 without any engagement between the threads. However, this is not essential. The assembly does of course function quite effectively with a full thread on the nut, requiring rotation of the nut to effect its translational movement, and this can be preferred in some circumstances.

Figure 2 shows the shaft 2 installed in the substrate with the nut 10 thereon holding a plate 14 against the substrate. The nut 10 have been moved (translated) along the shaft to the position shown, and a tool (not shown) is then used to turn the nut 10 on the shaft 2 to bring the respective threads into engagement. This engagement can also serve to finally tighten the nut 10 against the plate 14 to hold it tight against the substrate 16. However, when the threads of the nut are continuously engaged with the threads on the shaft, final tightening may be completed subsequently.

With the nut 10 in its final position, and the respective thread portions on the nut and shaft in full engagement, the flanks 8 on the shaft are aligned with the sides 18 of the nut projections 12. In this orientation the outer tubular element 20 of a locking and breaking tool is fitted over the shaft and nut to hold them in that relative orientation. At the same time, the inner tubular element 22 slides over the projecting length of the shaft 2 engaging the flanks 8. With the inner and outer elements in place, they are turned relative to one another to twist the projecting shaft length relative to the shaft within the nut. This generates shear forces at what would otherwise be the exposed face of the nut projections 12 which serve to initially work harden the metal of the shaft at the plane 24 and eventually break the shaft at that plane. We have found that breaking the shaft in this way results in the substantially smooth surface at the fracture plane, and certainly a surface sufficiently smooth to be tolerated in a surgical situation.

As noted above, the relative twisting of the shaft at the fracture plane 24 not only embrittles and eventually breaks the shaft substantially at the fracture plane, but it also effects plastic deformation of the shaft threads to

shaft. The consequence of this is that when the shaft is broken at the fracture plane, the nut is also locked onto the shaft 2, and the plate 14 thereby safely secured against the substrate 16.

5 Although the invention has been described above with particular reference to a shaft having planar flanks 8 on opposite sides thereof and the nut having complementary planar surfaces 18 on its projections 12, it will be appreciated that various cross-sections of the shaft and nut can be used. For example, the cross-section of the shaft might be generally cruciform, with the
10 nut and shaft each having four threaded arc sections. The inner cross-sections of the flange 26 on the outer element of the locking and breaking tool and the inner element would of course have to match any modified shaft and nut cross-section.

 Figure 3A shows a detailed view of the coaxial tubular elements of the
15 twisting tool, in the absence of the shaft and nut. As can be seen, the outer element 20 terminates in an inwardly directed flange 26, and it is the inner boundary of this flange 26 that complements the cross-section of the shaft 2 and nut projections 12 when the threads are in full contact. The inner tubular element is wholly within the outer tubular element, at least at this end,
20 and rests or substantially rests on the flange 26 of the outer element 20. The inner element 22 has an internal cross-section corresponding to that of the shaft 2 with planar faces 8.

 Figure 3B shows a further reduced illustration of the entire twisting and
 breaking tool. As can be seen, each element 20, 22 is coupled to a
25 respective arm or handle 28, 30 which are turned about the common axis 32 of the tubular elements to twist the respective shaft portions relative to one another.

 Figure 4 illustrates an alternative locking mechanism for locking the
 respective elements 20 and 22 against the contiguous lengths of the shaft 2.
30 Element 22 is received in Element 20, and is coupled thereto by means of a screw thread indicated at 34. Thus, as the tubular elements are turned relative to one and other, their juxtaposed ends 36 and 38 move towards

disposed on convergant frustoconical surfaces of two sleeves 44. Thus, as the end sections 36 and 38 of the elements 20 and 22 move towards each other, the gripping components 40 and 42 are ramped into gripping engagement with contiguous lengths of the shaft 2. As the rotation of the elements 20 and 22 continues, the gripped sections of the shaft are rotated relative to one another resulting ultimately in breakage of the shaft at the fracture plane 46. A washer 50 located between the sleeves 44 substantially at the fracture plane facilitates their relative rotation with the shaft lengths.

Figure 5 shows an arrangement in which the openings in the end portions of the tubular elements 20 and 22 are eccentric relative to their common rotational axis, with the result that when a shaft is located in these openings, its rotational axis is spaced from the common axis of the tubular elements. The surfaces of the respective openings in the end portion of the tubular elements 20 and 22 are formed with gripping surfaces which, as the tubular elements are rotated relative to one another, are forced into engagement with the surface of the shaft 2. The eventual result is that the shaft is broken along a fracture line between the openings in the end portions of the respective tubular elements, as a consequence of this eccentric twisting. In this respect, it will be appreciated that the grip applied to the respective shaft lengths increases as the tubular elements are relatively rotated.

In the embodiment shown in figure 5, a compressible washer is disposed around the shaft between the end sections of the respective tubular elements. This provides for the end portions of the tubular elements to move towards each other in a controlled fashion as the elements are rotated relative to each other and break the shaft.

Figure 5 also illustrates a nut 52 located on the shaft, with an extended section thereof located in the opening in the end portion of the tubular element 20. The extended sections of the nut can have undercuts or dovetailed lugs to provide for some additional axial compression to be applied to threads, partial or complete, formed on the shaft 2.

be used to engage the contiguous shaft lengths, and thereby facilitate its breakage at the fracture plane.

5 The invention has particular application in surgery, where a bone plate or other element has to be secured against a bone. Screw assemblies according to the invention can be used as cortical bone screws, and the great advantage is of course that a shaft of the same length can be used in each securement. After the hole is initially drilled in the bone, the shaft is fitted to the desired depth using a tool adapted to engage the cross-
10 section of the exposed length, and driven home. The nut is then fitted over the exposed shaft length and translated substantially to its final position, where it is then turned through the requisite angle to finally tighten the nut and create with the nut projections and the shaft the cross-section adapted to be received and fitted in the flange of the outer tubular element of the
15 locking and breaking tool. The tool is then fitted with the inner element engaging only the shaft over the nut, and the tool operated in the manner described above. Initially the threads of the shaft are plastically deformed to lock the nut on the shaft, and as the twisting continues the shaft progressively embrittles at the fracture plane, and eventually breaks to leave
20 a smooth exposed surface.

1. A tool for breaking a shaft, comprising two aligned tubular elements having end portions for receiving continuous lengths of a said shaft; means for locking each end portion against rotation relative to a shaft length received therein; and means for rotating the elements relative to one another with the end portions so locked to relatively twist the shaft lengths and shear the lengths at the interface between them.
2. A tool according to Claim 1 wherein the element end portions have juxtaposed faces.
3. A tool according to Claim 2 including means urging the faces towards each other during said relative rotation.
4. A tool according to Claim 3 wherein the urging means comprises complementary screw threads on the tubular elements.
5. A tool according to any of Claims 2 to 4 including a compressible washer disposed between the juxtaposed faces.
6. A tool according to any preceding Claim wherein the tubular elements are co-axially aligned.

adapted to receive a said shaft along an axis eccentric relative to the common axis of the elements.

8. A tool according to Claim 6 or Claim 7 where the tube elements are engaged one within the other.
9. A tool according to any preceding Claim wherein locking means comprise a gripping component at the end of each tubular element; a sleeve disposed therebetween, the sleeve having convergent frustoconical surfaces aligned with the gripping components; and means for urging the gripping elements towards one another over the frustoconical surfaces and thereby radially inwards to engage and grip a said shaft.
10. A tool according to Claim 2 and Claim 9 wherein the gripping components are disposed between the juxtaposed faces of the tubular elements.
11. A tool according to any of Claims 1 to 8 where the end portion of each tubular element has a non-circular opening for receiving a said shaft length, for restricting rotation therein of a shaft with a correspondingly non-circular cross section.
12. A tool according to Claim 11 for breaking a threaded shaft bearing a nut, the shaft having an external screw thread formed thereon in at least two axially

the non-circular cross-section of the shaft, forming therewith in one orientation an extended non-circular cross-section matching that of the opening in the end portion of one tubular element, the cross-section of the shaft itself matching the opening in the end portion of the other tubular element.

13. A screw assembly comprising a shaft with an external screw thread formed thereon in at least two axially extending arc sections; and a nut having a complementary internal screw thread formed therein, and an extended portion of cross-section which combines with that of the shaft when the nut is at its full extent of angular rotation to be held in that orientation by a locking device, the length of the shaft projecting from the extended portion of the nut being rotatable relative to the locking device to break the shaft at the end face of the extended portion of the nut.
14. A screw assembly according to Claim 13 wherein the screw thread in the nut is formed with at least two arc sections, the respective thread sections of the shaft and nut threads being capable of misalignment such that the nut can move translationally along the shaft without rotation, and of alignment over an extent of angular rotation to permit final tightening of the nut against a surface.
15. A screw assembly according to Claim 13 wherein the screw thread in the shaft has two axially extending diametrically opposed arc sections with substantially parallel flanks therebetween, and the extended portions of the nut comprise

extent of angular orientation on the shaft.

16. A tool according to any of Claims 1 to 12 for breaking a shaft adjacent the nut on a threaded shaft in an assembly according to Claim 13 or Claim 14, wherein the locking means in the end portion of one element is adapted to act on the shaft, and the locking means in the end portion of the other element is adapted to act on the combination of the shaft and the extended nut portion.
17. A tool for breaking a shaft adjacent a nut on a threaded such shaft in an assembly according to any of Claims 13 to 15 which tool comprises two coaxial tubular elements relatively rotatable about their common axis, the outer element having an end with a first cross-section and the inner element having an end with a second cross-section axially spaced from the outer element end, the first cross-section being adapted to fit the combined cross-section of the shaft and extended portion of the nut in said assembly and the second cross-section being adapted to fit around the shaft, means being provided for rotating the inner and outer elements relative to one another with their ends fitted respectively to the shaft and nut, and to the shaft, to twist the shaft projecting from the nut relative to the shaft within the nut to break the shaft in the plane at the face of the extended portion of the nut.
18. A method of fitting and locking a nut on a threaded shaft of an assembly according to any of Claims 13 to 15 which method comprises:

along the shaft until the nut engages the surface in which the shaft is received.

- b. rotating the nut to its full extent of angular rotation;
- c. holding the nut and shaft within the nut in said orientation; and
- d. rotating the length of shaft projecting from the extended portion of the nut to twist the shaft within the nut and lock the threads relative to one another, and break the shaft at the end face of the extended portion of the nut.

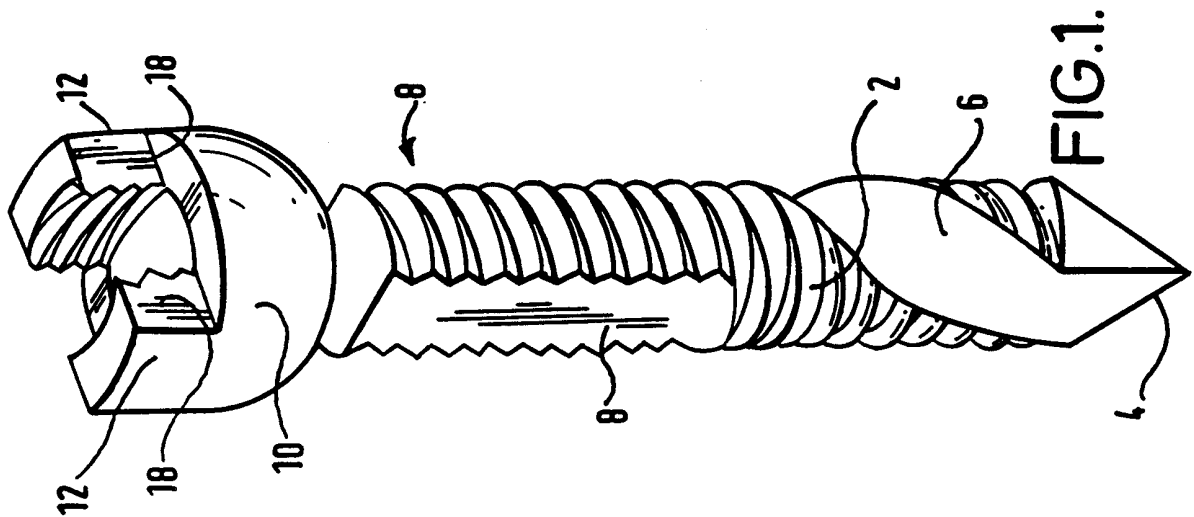


FIG.1.

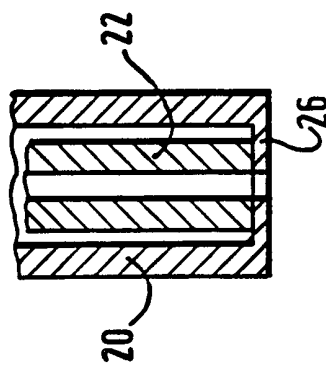


FIG.3A.

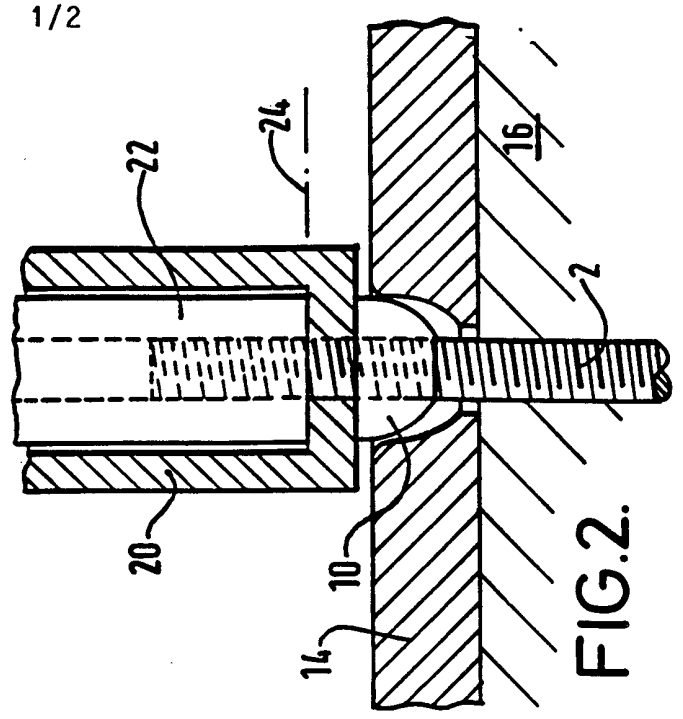


FIG.2.

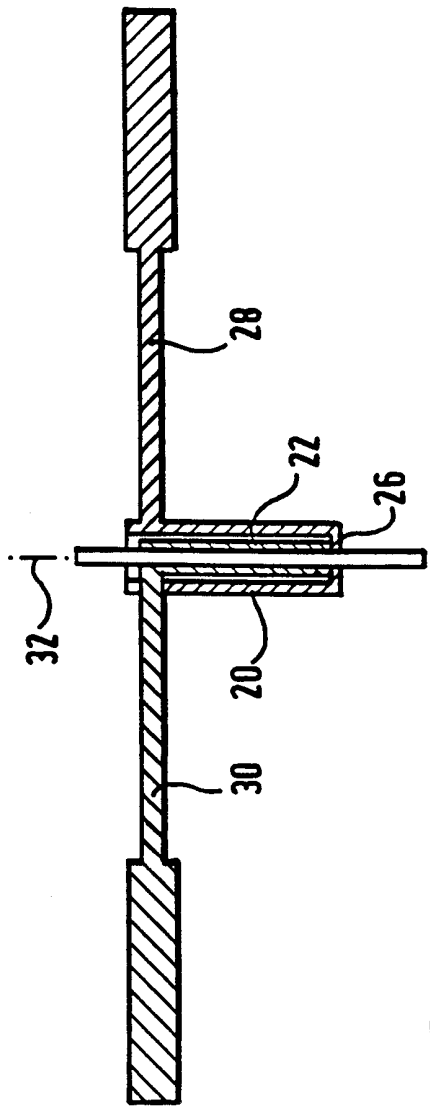


FIG.3B.

2/2

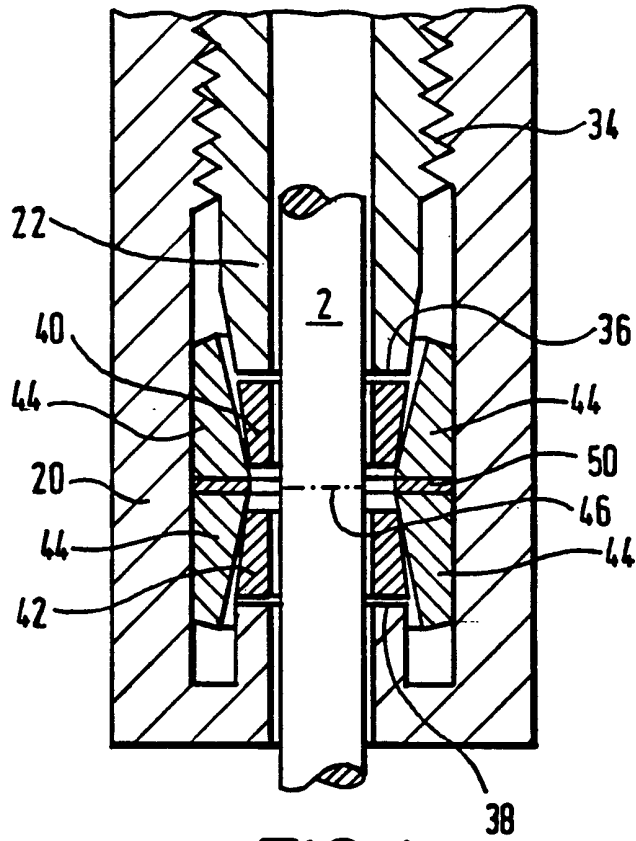


FIG. 4.

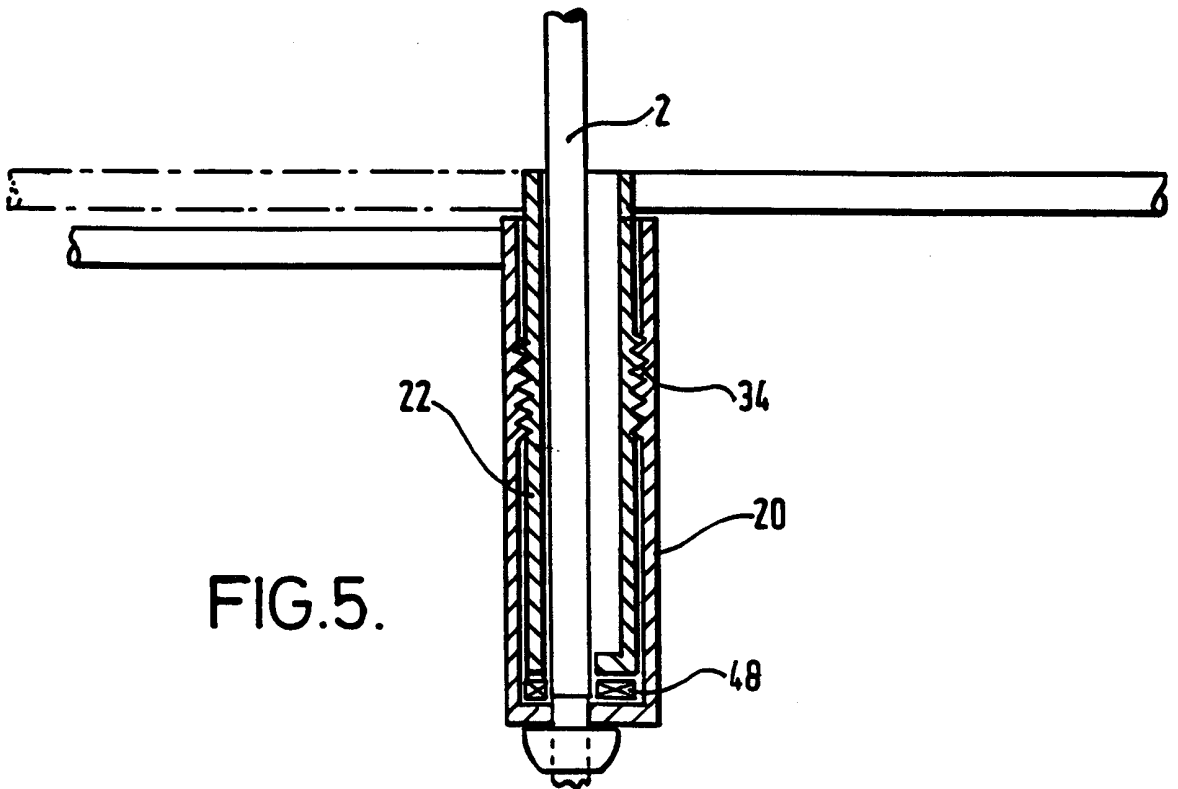


FIG. 5.

INTERNATIONAL SEARCH REPORT

International Application No

PCT/GB 99/02558

A. CLASSIFICATION OF SUBJECT MATTER
 IPC 7 A61B17/86 F16B31/02

According to International Patent Classification (IPC) or to both national classification and IPC

B. FIELDS SEARCHED

Minimum documentation searched (classification system followed by classification symbols)
 IPC 7 A61B F16B

Documentation searched other than minimum documentation to the extent that such documents are included in the fields searched

Electronic data base consulted during the international search (name of data base and, where practical, search terms used)

C. DOCUMENTS CONSIDERED TO BE RELEVANT

Category °	Citation of document, with indication, where appropriate, of the relevant passages	Relevant to claim No.
A	US 5 653 710 A (HAERLE ANTON) 5 August 1997 (1997-08-05) abstract figures 1-6 column 9, line 58 -column 10, line 9 claim 1 <p style="text-align: center;">-----</p>	1, 18

Further documents are listed in the continuation of box C.

Patent family members are listed in annex.

° Special categories of cited documents :

- "A" document defining the general state of the art which is not considered to be of particular relevance
- "E" earlier document but published on or after the international filing date
- "L" document which may throw doubts on priority claim(s) or which is cited to establish the publication date of another citation or other special reason (as specified)
- "O" document referring to an oral disclosure, use, exhibition or other means
- "P" document published prior to the international filing date but later than the priority date claimed

- "T" later document published after the international filing date or priority date and not in conflict with the application but cited to understand the principle or theory underlying the invention
- "X" document of particular relevance; the claimed invention cannot be considered novel or cannot be considered to involve an inventive step when the document is taken alone
- "Y" document of particular relevance; the claimed invention cannot be considered to involve an inventive step when the document is combined with one or more other such documents, such combination being obvious to a person skilled in the art.
- "&" document member of the same patent family

Date of the actual completion of the international search

2 November 1999

Date of mailing of the international search report

09/11/1999

Name and mailing address of the ISA

European Patent Office, P.B. 5818 Patentlaan 2
 NL - 2280 HV Rijswijk
 Tel. (+31-70) 340-2040, Tx. 31 651 epo nl,
 Fax: (+31-70) 340-3016

Authorized officer

Schaeffler, C

INTERNATIONAL SEARCH REPORT

Information on patent family members

International Application No

PCT/GB 99/02558

Patent document cited in search report	Publication date	Patent family member(s)	Publication date
US 5653710 A	05-08-1997	DE 4339804 A	01-06-1995
		AT 150956 T	15-04-1997
		DE 59402294 D	07-05-1997
		EP 0654248 A	24-05-1995
		ES 2102123 T	16-07-1997
