



US 20190057764A1

(19) **United States**

(12) **Patent Application Publication** (10) **Pub. No.: US 2019/0057764 A1**

Riedel et al. (43) **Pub. Date: Feb. 21, 2019**

(54) **RECORDING DOSE DATA FROM DRUG INJECTION DEVICES USING OPTICAL CHARACTER RECOGNITION (OCR)**

(71) Applicant: **Sanofi-Aventis Deutschland GMBH**, Frankfurt am Main (DE)

(72) Inventors: **Stephan Riedel**, Frankfurt am Main (DE); **Till Gerken**, Frankfurt am Main (DE)

(21) Appl. No.: **16/165,838**

(22) Filed: **Oct. 19, 2018**

Related U.S. Application Data

(63) Continuation of application No. 15/520,053, filed on Apr. 18, 2017, now Pat. No. 10,146,910, filed as application No. PCT/EP2015/073860 on Oct. 15, 2015.

Foreign Application Priority Data

Oct. 21, 2014 (EP) 14189706.6

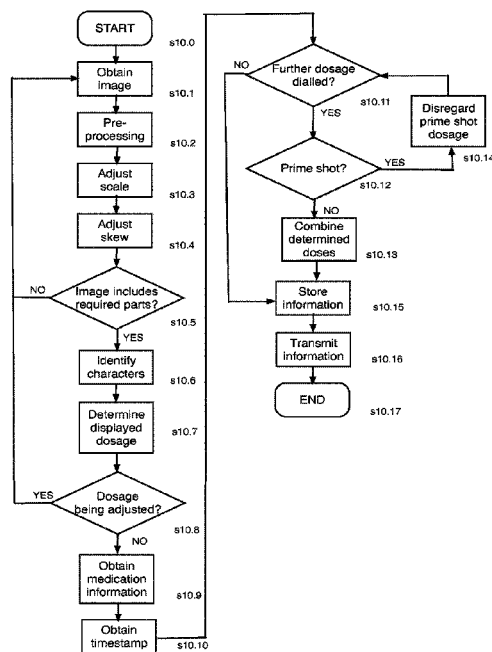
Publication Classification

(51) **Int. Cl.**
G16H 20/13 (2018.01)
H04N 5/235 (2006.01)
G16H 15/00 (2018.01)
G06T 5/50 (2006.01)
A61M 5/24 (2006.01)
A61M 5/31 (2006.01)
A61M 5/315 (2006.01)
G06F 19/00 (2018.01)
G06K 9/32 (2006.01)

(52) **U.S. Cl.**
CPC **G16H 20/13** (2018.01); **G06K 2209/03** (2013.01); **G16H 15/00** (2018.01); **G06T 5/50** (2013.01); **A61M 5/24** (2013.01); **A61M 5/31** (2013.01); **A61M 5/315** (2013.01); **A61M 5/31525** (2013.01); **G06F 19/00** (2013.01); **G06K 9/3258** (2013.01); **G06K 9/32** (2013.01); **A61M 2205/52** (2013.01); **A61M 2205/6081** (2013.01); **A61M 2005/3126** (2013.01); **A61M 2205/3306** (2013.01); **A61M 2205/505** (2013.01); **H04N 5/235** (2013.01)

(57) **ABSTRACT**

A method of recording a medicament dose using a data collection device comprises capturing, by a video camera of said data collection device, a video showing a medicament dose indicator of a medicament delivery device, adjusting a scale of an image of said medicament dose indicator in said video, adjusting said image for skew of one or more characters displayed on a component of the medicament delivery device in said video, determining the position of at least one of said one or more characters in the image, identifying the at least one character using optical character recognition and determining a medicament dose shown by the medicament dose indicator based on a result of said optical character recognition. The method may include determining whether more than one delivery of medicament is recorded in the video and, if so, whether said more than one delivery includes one or more prime shots, so that an overall dosage delivered to a user may be determined based on multiple determined medicament doses. A wearable electronic device comprising a video camera may be used to obtain and analyze the video, for example, using software provided in an “app”. The wearable electronic device may be configured to be worn on the head of a user, to capture the video from the user’s point of view.



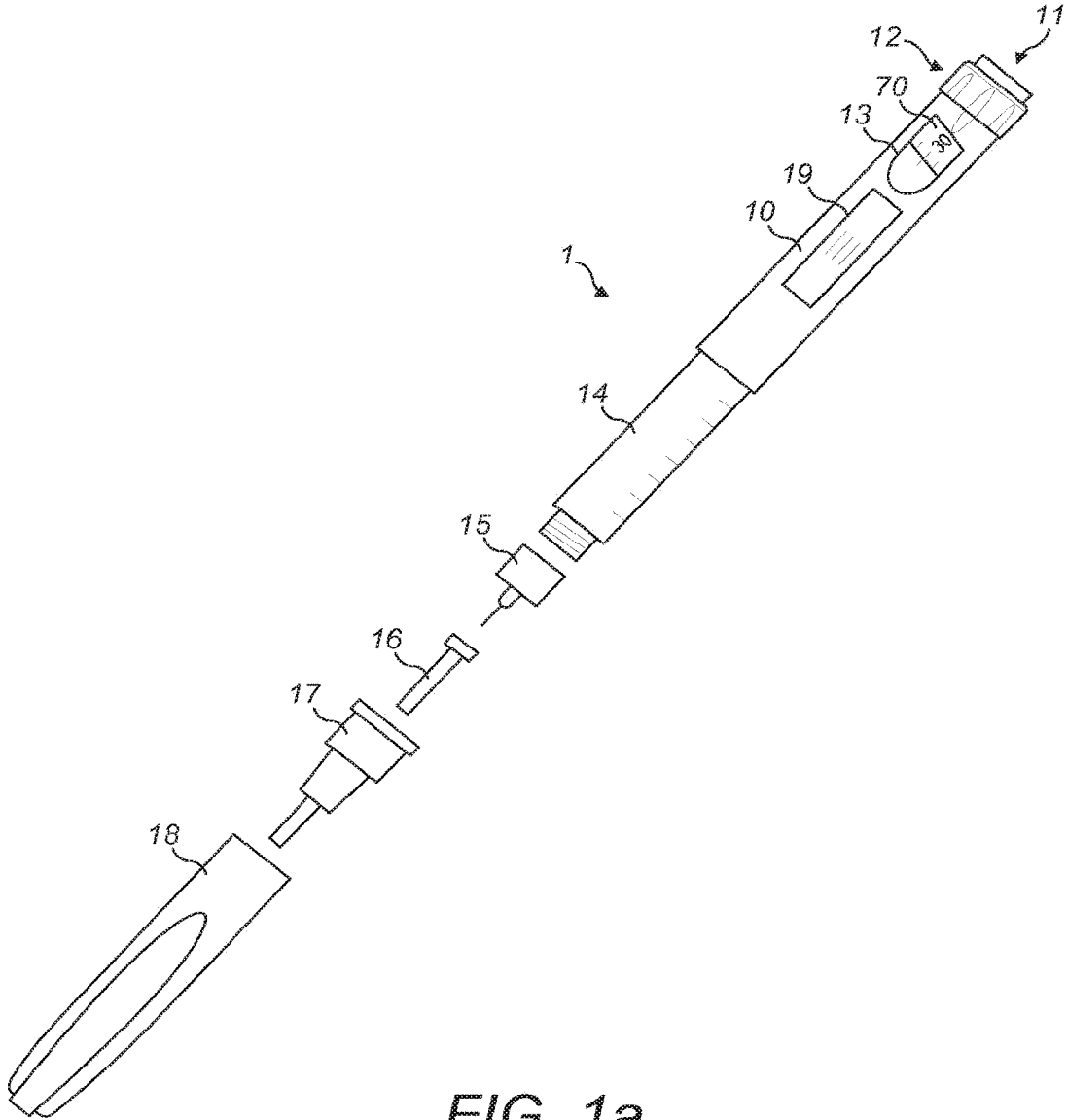


FIG. 1a

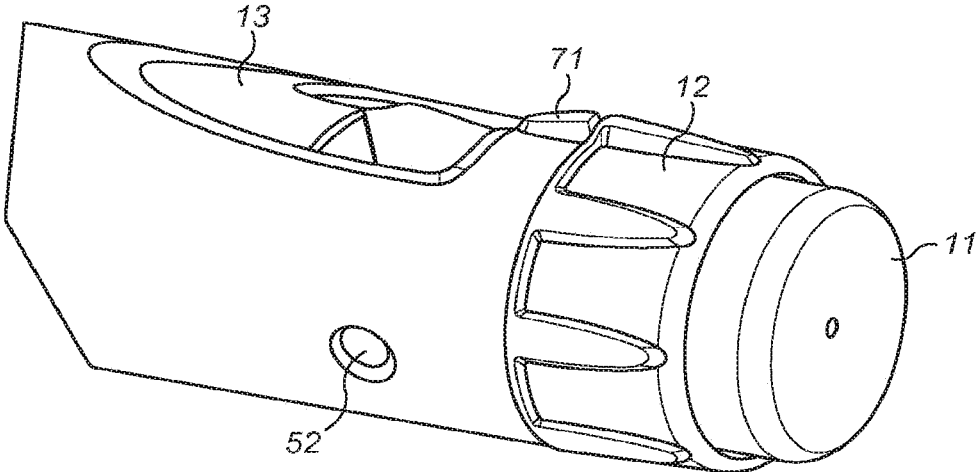


FIG. 1b

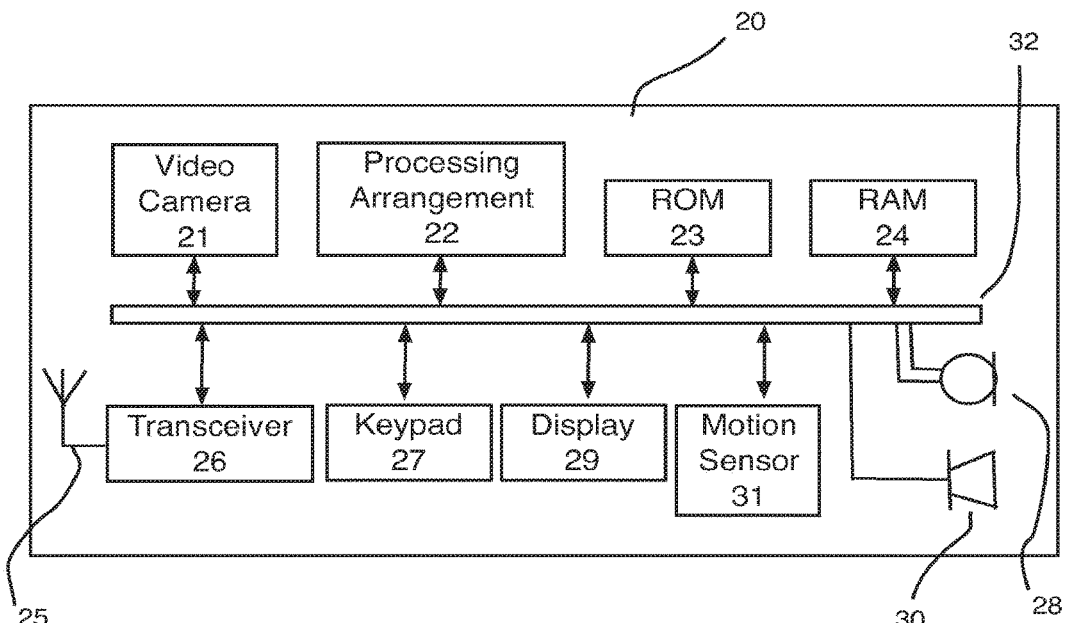


Figure 2

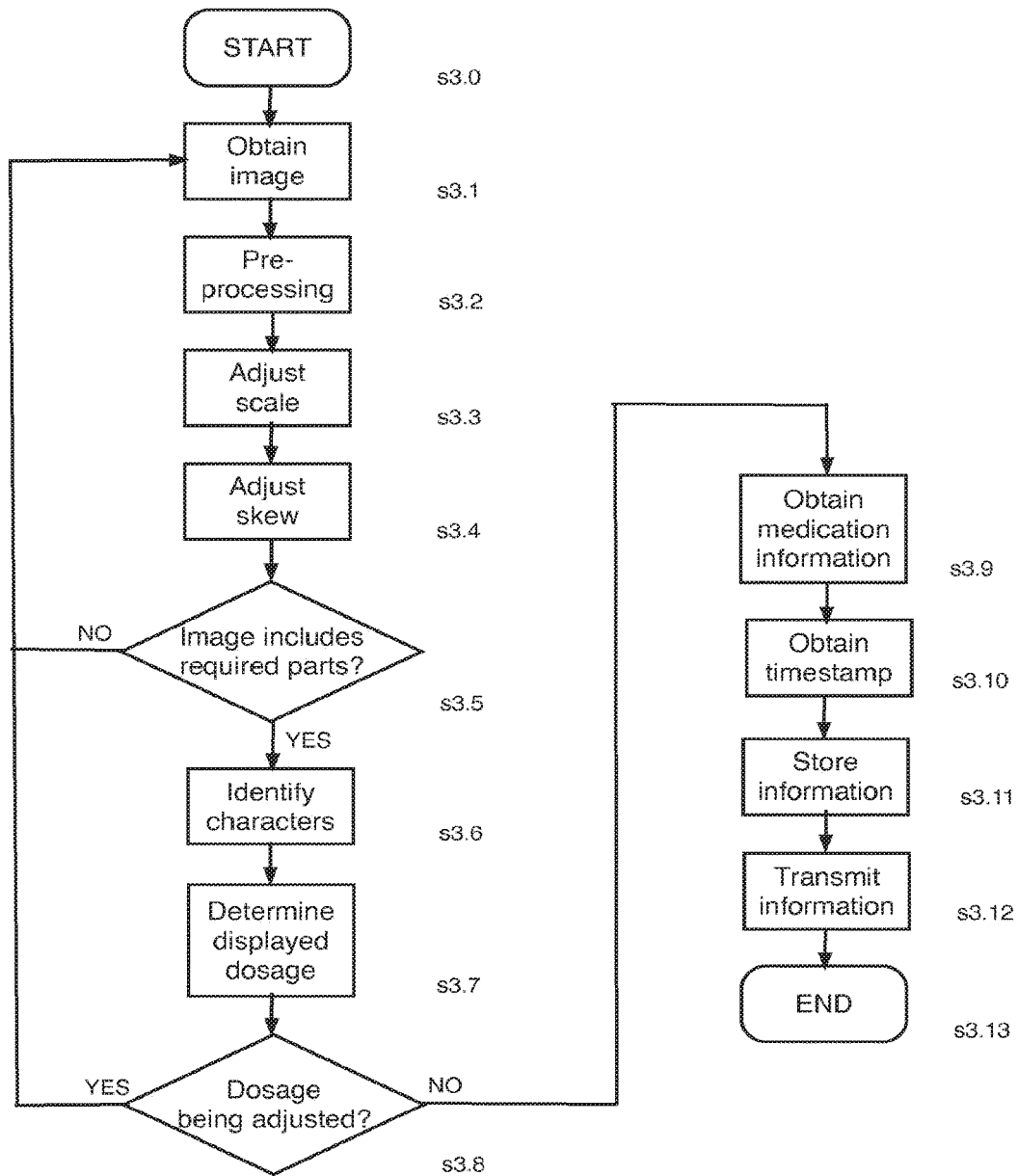


Figure 3

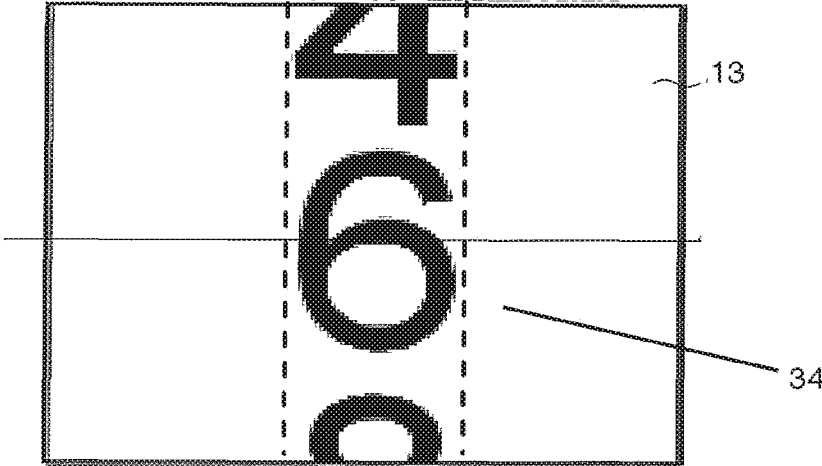


FIG. 4

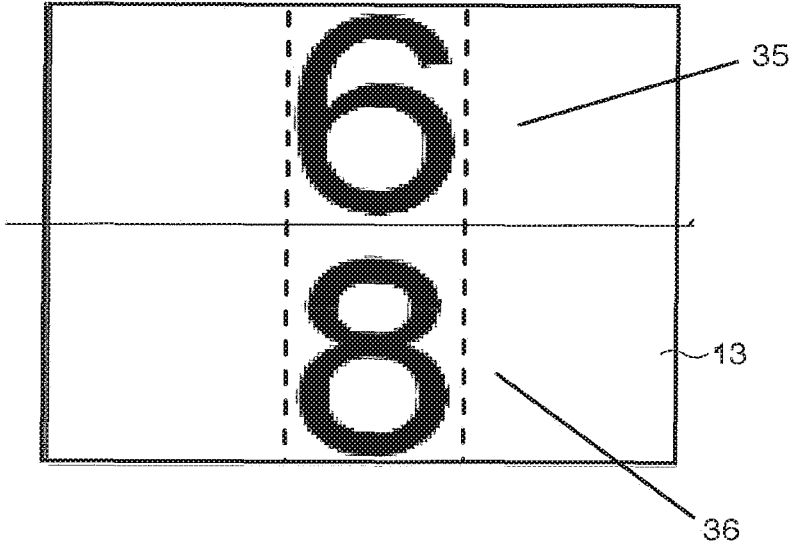


FIG. 5

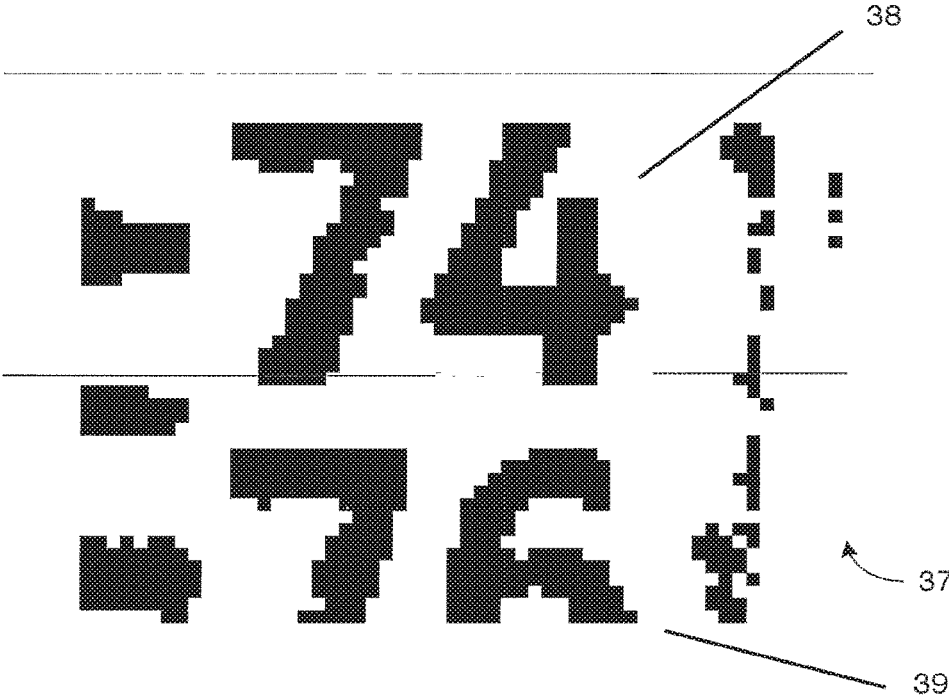


FIG. 6

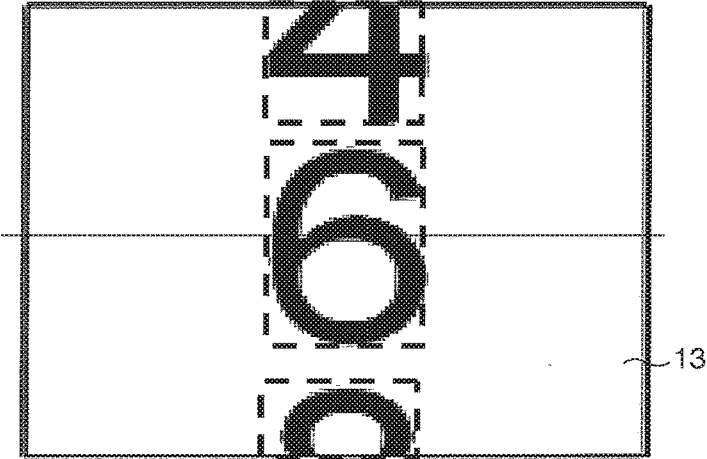


FIG. 7

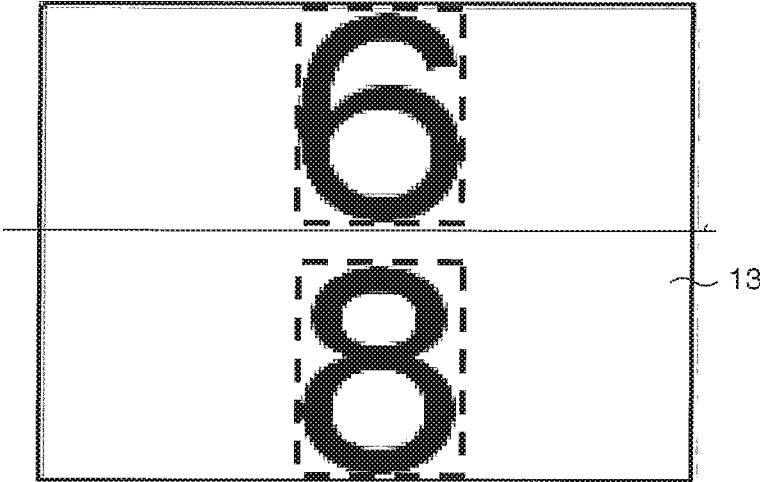


FIG. 8

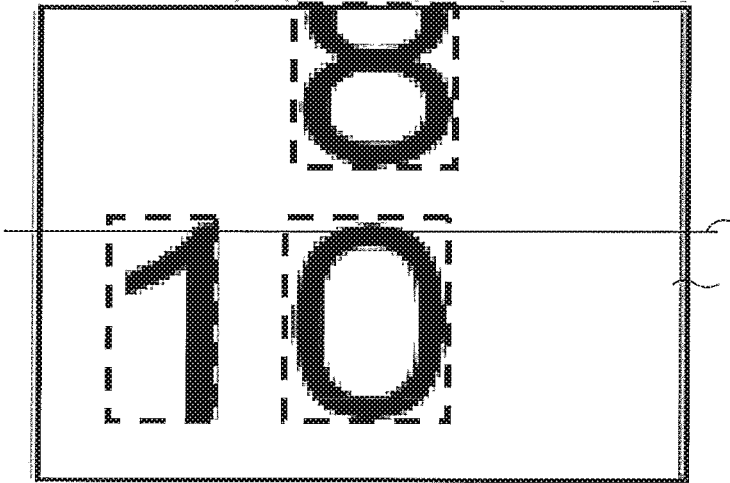


FIG. 9

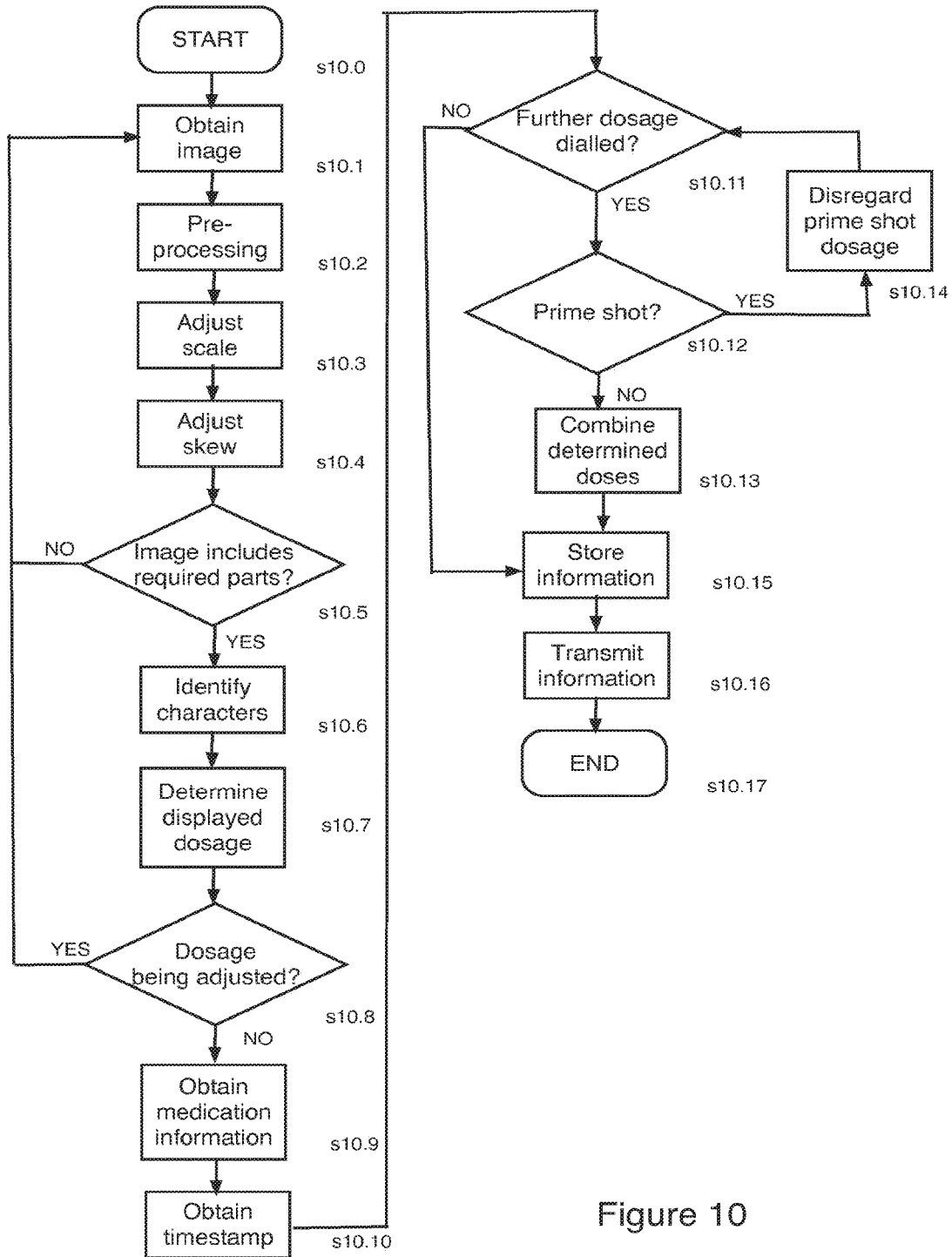


Figure 10

RECORDING DOSE DATA FROM DRUG INJECTION DEVICES USING OPTICAL CHARACTER RECOGNITION (OCR)

CROSS-REFERENCE TO RELATED APPLICATIONS

[0001] This application is a continuation of U.S. patent application Ser. No. 15/520,053, filed on Apr. 18, 2017, which is a U.S. national stage application under 35 USC § 371 of International Application No. PCT/EP2015/073860, filed on Oct. 15, 2015, which claims priority to European Patent Application No. 14189706.6 filed on Oct. 21, 2014, the entire contents of which are incorporated herein by reference.

TECHNICAL FIELD

[0002] The present disclosure relates to data collection from a medicament delivery device. In particular, the present disclosure relates to a method and a data collection system for recording a medicament dose.

BACKGROUND

[0003] A variety of diseases exists that require regular treatment by injection of a medicament. Such injection can be performed by using injection devices, which are applied either by medical personnel or by patients themselves. As an example, type-1 and type-2 diabetes can be treated by patients themselves by injection of insulin doses, for example once or several times per day. For instance, a pre-filled disposable insulin pen can be used as an injection device.

[0004] Alternatively, a re-usable pen may be used. A re-usable pen allows replacement of an empty medicament cartridge by a new one. Either pen may come with a set of one-way needles that are replaced before each use. The insulin dose to be injected can then for instance be manually selected at the insulin pen by turning a dosage knob and observing the actual dose from a dosage window or display of the insulin pen. The dose is then injected by inserting the needle into a suited skin portion and pressing an injection button of the insulin pen.

[0005] To be able to monitor insulin injection, for instance to prevent false handling of the insulin pen or to keep track of the doses already applied, it is desirable to measure information related to a condition and/or use of the injection device, for example, one or more of the injected insulin type, dose and timing of the injection, in a manner that is reliable and accurate.

[0006] Data collection techniques may also be used for purposes other than monitoring insulin injections. For example, data may be collected in order to monitor injections of other medicaments, other medical activities, such as the taking of tablet medication by a patient or infusions, or for non-medical purposes, such as the monitoring of equipment and/or its operation in a home or industrial environment for safety reasons.

SUMMARY

[0007] According to one aspect, there is provided a method of recording a medicament dose using a data collection device, the method including capturing, by a video camera of the data collection device, a video showing a medicament dose indicator of a medicament delivery device,

adjusting a scale of an image in said video, adjusting said image for skew of one or more characters displayed on a component of the medicament delivery device in said video, determining the position of at least one of said one or more characters in the image, identifying the at least one character using optical character recognition, and determining a medicament dose indicated by the medicament dose indicator based on a result of said optical character recognition.

[0008] The obtaining of medicament delivery information from a video recording may provide a reliable record and/or monitoring of the administration of medicament to a patient, since it does not rely on specific input from the patient and so may avoid user error and/or user failure to recollect details of an injection.

[0009] The data collection device may be a portable electronic device. In particular, the data collection apparatus may be a wearable electronic device. Where the data collection device is a device that is commonly available, medicament delivery may be reliably recorded and monitored without requiring specialized, or dedicated, data collection devices. Also, since the user can utilize a device that is familiar to them for data collection, the user may begin to record dosages without having to familiarize themselves, and learn to use, a new device.

[0010] Where the data collection device is a wearable device that is worn on the head of the user, the captured video may correspond approximately to the point of view of a user, increasing the likelihood that the medicament dose indicator will be shown in the captured video.

[0011] The method may comprise determining whether more than one delivery of medicament is recorded in said video. In response to a determination that more than one delivery of medicament is recorded in said video, at least a second medicament dose based on at least one character identified using optical character recognition on at least a second image of said medicament dose indicator in said video may be determined, and an overall medicament dose received by a user determined based on said determined medicament dose and said determined second medicament dose. Alternatively, or additionally, the method may determine whether said more than one delivery of medicament includes one or more prime shots, so that any determined medicament doses associated with a prime shot can be disregarded.

[0012] The method may include obtaining color information from said image and identifying a type of medicament to be dispensed based on said color information. The obtaining of color information may include obtaining a color balance measurement based on reference color information provided on the medicament delivery device.

[0013] The medicament delivery device may be an injector pen including a movable component for selecting said amount of medicament to be dispensed.

[0014] This aspect also provides a computer program comprising computer-readable instructions that, when executed by a processor, causes one or more of the above methods to be performed.

[0015] Such a computer program may be provided in the form of an "app" for a wearable electronic device or other portable electronic device.

[0016] This aspect further provides a data collection apparatus for recording a medicament dose, comprising a video camera and a processing arrangement configured to capture a video using said video camera, said video including at least

one image of a medicament dosage indicator of a medicament delivery device, adjust a scale of said image, adjust said image for skew of one or more characters displayed on a component of the medicament delivery device, determine the position of at least one of said one or more characters in the image, identify the at least one character using optical character recognition and determine a dosage indicated by said medicament dose indicator based on a result of said optical character recognition.

[0017] This aspect also provides a medicament delivery system including such a data collection apparatus and the medicament delivery device.

[0018] The data collection apparatus may comprise a wearable electronic device that includes said video camera. Such a wearable electronic device may be configured to be worn on the head of a user, so that the captured video corresponds to the user's point of view. For example, the wearable electronic device may be provided in a form that can be worn by the user in a similar manner to a pair of glasses or sunglasses.

[0019] The apparatus may be configured so that the video camera and processing arrangement are included in the same device, such as a wearable device as discussed above. However, in some embodiments, the video camera may be provided in a device that is configured to transmit the captured video to a computer via a network, such as a wireless local area network, a personal area network, a cellular communication network or the Internet, where the computer comprises said processing arrangement.

[0020] The processing arrangement may be configured to determine whether more than one delivery of medicament is recorded in said video. The processing arrangement may be configured to respond to a determination that more than one delivery of medicament is recorded in said video by determining at least a second medicament dose based on at least one character identified using optical character recognition on at least a second image of said medicament dose indicator in said video and determining an overall dosage received by a user based on said determined medicament dose and said determined second medicament dose. Alternatively, or additionally, the processing arrangement may be configured to [[to]] respond to such a determination by determining whether said more than one delivery of medicament includes one or more prime shots, so that any determined medicament doses associates with said one or more prime shots can be disregarded.

[0021] The processing arrangement may be configured to identify a color of at least one component of the medicament delivery device and to determine a type of said medicament based on said color. In some embodiments, the processing arrangement may be configured to obtain a color balance measurement based on an image showing reference color information provided on the medicament delivery device.

BRIEF DESCRIPTION OF THE FIGURES

[0022] Example embodiments of the subject matter described herein will now be described with reference to the accompanying figures, of which:

[0023] FIG. 1a shows an exploded view of a medicament delivery device;

[0024] FIG. 1b shows a perspective view of a portion of the medicament delivery device of FIG. 1a;

[0025] FIG. 2 is a block diagram of a data collection device according to an embodiment;

[0026] FIG. 3 is a flowchart of a data collection method according to an embodiment;

[0027] FIGS. 4 and 5 each show a portion of a dosage window of the drug delivery device of FIG. 1a, with examples of digits that may be displayed;

[0028] FIG. 6 shows an example of a binarized digits corresponding to digits displayed in the dosage window;

[0029] FIGS. 7 and 8 show diagrammatically further examples of digits that may be displayed in the dosage window; and

[0030] FIG. 9 shows a further example of digits that may be displayed in the dosage window where a primary digit row contains two digits; and

[0031] FIG. 10 is a flowchart of a data collection method according to another embodiment.

DETAILED DESCRIPTION

[0032] In the following, embodiments will be described with reference to an insulin injection device. The present disclosure is however not limited to such application and, as noted herein above, may equally well be deployed with injection devices that eject other medicaments, or with other types of medicament delivery devices.

[0033] FIG. 1a is an exploded view of an injection device 1 which, in this particular example, represents Sanofi's Solostar® insulin injection pen.

[0034] The injection device 1 of FIG. 1a is a pre-filled, disposable injection pen that comprises a housing 10 and contains an insulin container 14, to which a needle 15 can be affixed. The needle is protected by an inner needle cap 16 and an outer needle cap 17, which in turn can be covered by a cap 18. An insulin dose to be ejected from injection device 1 can be selected by turning the dosage knob 12, and the selected dose is then displayed via dosage window 13, for instance in multiples of so-called International Units (IU), wherein one IU is the biological equivalent of about 45.5 micrograms of pure crystalline insulin (1/22 mg). An example of a selected dose displayed in dosage window 13 may for instance be 30 IUs, as shown in FIG. 1a. It should be noted that the selected dose may equally well be displayed differently.

[0035] The dosage window 13 may be in the form of an aperture in the housing 10, which permits a user to view a limited portion of a number sleeve 70 that is configured to move when the dosage knob 12 is turned. In order to facilitate taking images of the numbers displayed in the dosage window 13, the number sleeve 70 may have a matte surface.

[0036] A label 19 is provided on the housing 10. The label 19 includes information about the medicament included within the injection device, including information identifying the medicament. The information identifying the medicament may be in the form of text. The information identifying the medicament may also be in the form of a color. For example, the label 19 may have a background, or include a shaded element such as a border having a color that corresponds to a particular type of medicament that is provided in the injection device.

[0037] Alternatively, or additionally, the label may include a RFID tag or similar device that stores such information.

[0038] One or more parts of the injection device, such as an injection button 11 or the dosage knob 12, may be formed of a material having a color that corresponds to the medicament. Optionally, a part of an insulin container (not

shown) within the injection device **1** may include a color-coded portion that indicates a medicament type and may be viewable through the dosage window **13**.

[0039] The information identifying the medicament may additionally, or alternatively, be encoded into a barcode, QR code or the like. The information identifying the medicament may also be in the form of a black and white pattern, a color pattern or shading.

[0040] Turning the dosage knob **12** causes a mechanical click sound to provide acoustic feedback to a user. The numbered sleeve **70** mechanically interacts with a piston in insulin container **14**.

[0041] When needle **15** is stuck into a skin portion of a patient, and then injection button **11** is pushed, the insulin dose displayed in the dosage window **13** will be ejected from injection device **1**.

[0042] When the needle **15** of injection device **1** remains for a certain time in the skin portion after the injection button **11** is pushed, a high percentage of the dose is actually injected into the patient's body. Ejection of the insulin dose also causes a mechanical click sound, which is however different from the sounds produced when using dosage knob **12**.

[0043] Injection device **1** may be used for several injection processes until either insulin container **14** is empty or the expiration date of injection device **1** (e.g. 28 days after the first use) is reached.

[0044] Furthermore, before using injection device **1** for the first time, it may be necessary to perform a so-called "prime shot" to remove air from insulin container **14** and needle **15**, for instance by selecting 2 IU of insulin and pressing injection button **11** while holding injection device **1** with the needle **15** upwards. For simplicity of presentation, in the following, it will be exemplarily assumed that the ejected doses substantially correspond to the injected doses, so that, for instance when making a proposal for a dose to be injected next, this dose equals the dose that has to be ejected by the injection device. Nevertheless, differences (e.g. losses) between the ejected doses and the injected doses may of course be taken into account, particularly with regard to a "prime shot".

[0045] FIG. 1b is a close-up of the end of the injection device **1**. In the particular example shown in FIG. 1, a locating rib **71** is located between the viewing window **13** and the dosage knob **12**.

[0046] FIG. 2 is a block diagram of a data collection device **20** according to an embodiment, that may be used to collect data, such as insulin type, dosage and timing of injection, from the injection device **1** of FIG. 1.

[0047] The data collection device **20** is an electronic device, equipped with a built-in video camera **21**, and a processing arrangement **22** including one or more processors, such as a microprocessor, a Digital Signal Processor (DSP), Application Specific Integrated Circuit (ASIC), Field Programmable Gate Array (FPGA) or the like. In this particular example, the data collection device **20** is a wearable electronic device, such as a video camera device that may be worn by the user to record images from their point of view, or a computing device that is mounted in a pair of glasses or otherwise worn on the head or body of the user.

[0048] The data collection device **20** also includes memory units **23, 24**, including a read-only memory **23** and a random access memory **24**, which can store software for execution by the processing arrangement **22**. The data

collection device **20** also includes communications equipment **25, 26**, such as an antenna **25** and a transceiver **26**, to permit bi-directional communication with one or more of a cellphone network, a personal area network, a local wireless network or WLAN, and the Internet. The data collection device **20** further includes an input arrangement **27, 28**, such as a keypad **27** and/or a microphone **28**, and an output arrangement **29, 30**, such as a speaker **29** and/or a display **30**. In some embodiments, the input arrangement may include provide a keypad **27** in the form of a touch-sensitive element, or "touchpad" or as part of a touch-screen that utilizes some or all of the display **31**. The input arrangement may alternatively, or additionally, include a motion sensor arrangement **31**, such as one or more accelerometers, for detecting movement of the data collection device **20**. The data collection **20** also includes a communications bus **32** allowing for communication between the video camera **21**, processing arrangement **22**, memory units **23, 24**, communications equipment **25, 26**, input arrangement **27, 28, 31** and output arrangement **29, 30**.

[0049] The software stored in the memory units **23, 24** of the data collection device **20** includes computer-readable instructions that, when executed by the processing arrangement **22**, causes the data collection device **20** to record a video, and to process the video to obtain data regarding the type of medicament in the injection device **1**, a dose delivered by the injection device **1** and, optionally, a time of delivery of the medicament. The software may be provided in the form of a software application, or "app", that may be downloaded from a library or store over the Internet.

[0050] An example method according to an embodiment will now be described with reference to FIGS. 3 to 9.

[0051] Starting at FIG. 3, step 3.0, the video camera **21** is controlled to begin recording images of at least part of the injection device **1** (step s3.1), including the dosage window **13**. In some embodiments, the app is configured to cause the processing arrangement **22** to provide guidance to the user while the video is being recorded, by providing instructions regarding positioning of the injection device **1** relative to the camera **21** based on a "live view" of the field of view of the camera **21**. For example, the app may be configured to guide the user to position the camera **21** at a distance at which the camera **21** can obtain a good focus on the dosage window **13**. In certain embodiments, such focus may be achieved when the distance between the camera and the injection device **1** is approximately 30 cm.

[0052] Further, if medicament information is included only in another part of the injection device **1**, such as the label **19**, then the app may cause the processing arrangement **22** to instruct a user of the data collection device **20, 33** to include that part of the injection device **1** by providing a message on the display **29** and/or an announcement over the speaker **30**.

[0053] In this embodiment, the processing arrangement **22** then performs pre-processing (step s3.2), to assess and, if required, improve video data quality by executing the following steps:

[0054] Defective and bad pixel correction

[0055] Light correction

[0056] Distortion

[0057] Jitter

[0058] For example, an exposure control algorithm may adjust the operation of the video camera **21** to correct for images that are too bright or too dark by controlling expo-

sure parameters for the video camera **21** and/or controlling additional lighting, where provided, for example, in an embodiment where the data collection device **20** includes a flash unit (not shown). It is noted that the pre-processing is an optional feature. The app may be designed to perform to the required standard without pre-processing of the image.

[0059] The distance between the injection device **1** and the video camera **21** is not fixed and the orientation of the dosage window **13** and, where provided, the label **19**, relative to the camera **21** may also vary. In view of this, the processing arrangement **22** adjusts the scale of images within the video recording so that the size of the characters displayed within the dosage window **13** are within a predetermined range (step s3.3).

[0060] The processing arrangement **22** may further adjust the images within the video recording by correcting skew of the characters displayed in the dosage window **13** based on the orientation of the injection device **1** relative to the camera and/or any slanting of the characters displayed in the dosage window **13** (step s3.4). For instance, the numbers in the dosage window **13** might be slanted for ease of recognition and positioning by a user, but may be easier to decode by the data collection device **20** if the slant is removed.

[0061] The scale and skew adjustments may be based on an analysis of features of the injection device **1** of predetermined shape and/or size. For example, the processing arrangement **22** may identify the dosage window **13**, label **19**, a logo (not shown) on the injection device **1** and/or other features of the injection device **1** in the image and, based on information regarding the expected shape and/or size of those features, adjust the scale and alignment of the images taken by the video camera **21** and correct for skew of text and numbers included in the images.

[0062] In some embodiments, the app may also control the processing arrangement **22** to determine whether the dosage window **13** and a particular part of the injection device **1**, such as the label **19**, that includes medicament information are included in the video images (step s3.5). The determination may be based on the scale of the injection device **1** in the image and the location of one or more parts of the injection device **1** within the image. The app may optionally provide guidance to the user to adjust the positioning of the injection device **1** relative to the video camera **21** so that the relevant parts of the injection device **1** are within a field of view of the video camera **21**.

[0063] The processing arrangement **22** then attempts to recognize characters from at least one image of the dosage window from the video recording, using Optical Character Recognition (OCR) software included in the app (step s3.6), in order to determine a number or other dosage indication displayed in the dosage window **13** (step s3.7).

[0064] FIGS. 4 and 5 depict a portion of the dosage window **13**, showing examples of digits that may be displayed. In FIG. 4, a dosage has been dialed into the injection device **1** such that a digit **34**, in this case the number **6** indicating 6 IU, is displayed centrally in the dose window **13**. In FIG. 5, a dosage of 7 IU has been dialed into the injection device **1** such that digits **35**, **36**, representing the numbers **6** and **8** respectively, are both displayed in the dose window **13** and the space between these numbers occupies the central region of the dose window **13**. In this particular embodiment, the processing arrangement **22** is configured to execute an algorithm allowing both of the situations depicted in FIGS. 4 and 5 to be decoded accurately.

[0065] The OCR process comprises the steps of:

- [0066]** Binarization
- [0067]** Segmentation
- [0068]** Pattern matching
- [0069]** Position calculation

[0070] Due to the high reliability requirements of the sensor device **2**, there may in some embodiments be two OCR algorithms that are operated in parallel. The two OCR algorithms have the same input (image) and are intended to provide the same output. They both perform similar steps however the individual methods used in each step may vary. These two OCR algorithms may differ in one of the binarization, segmentation, pattern matching and position calculation steps or in more than one of these steps. Having two OCR-parts which use different methods to provide the same result increases the reliability of the entire algorithm as the data has been processed in two independent ways.

[0071] In the OCR process, the color or greyscale image obtained from the video camera **21** and adjusted as described above is converted into a purely black and white image **37**, such as that depicted in FIG. 6, through a binarization process. In an example where dark numbers are presented on a bright background in the dosage window, the black and white image would indicate the presence of digits **38**, **39** with black pixels and the absence of digits with white pixels, as shown in the example of FIG. 6. In some embodiments a fixed threshold is used to separate between black and white pixels. Pixels that have a value at or above the threshold become white, pixels below the threshold become black in the binarized picture. A high threshold will lead to artefacts (black parts in white areas), whereas a low threshold has the risk that in some cases parts of digits are missing. In some embodiments, the threshold is chosen so that in no case are parts of digits are missing because the algorithm is in general robust against artefacts (i.e. an accurate OCR process can be performed in the presence of some artefacts). In tests where an image was analyzed using 256 grey values, a threshold value of 127 showed good results.

[0072] The use of a fixed threshold is possible where light correction has been performed, for example, in the pre-processing. The combination of the light correction and the fixed threshold is similar to a windowed mean binarization. A windowed mean binarization compares the pixel-value with the mean value of the pixels of the area where it is located. Performing the light correction step before the distortion and slant correction steps means that more information is available to be used for the OCR process, which has been shown to yield better results on the edges and corners of the picture.

[0073] Alternatively, the Otsu threshold method may be applied to the captured greyscale image to produce a binary image similar to the black and white image **37** shown in FIG. 6. In some alternative embodiments, the binarization may be omitted and the OCR part of the algorithm may be performed on the captured color or greyscale image.

[0074] Segmentation is then performed. The goal of this part of the algorithm is to determine the exact location of each visible or partly visible number in the image. To achieve this, the algorithm defines the boundaries of the visible digits by finding the edges of the digits. This is generally accomplished in two steps, which may be performed in any order. Referring again to FIGS. 4 and 5, the processing arrangement **22** may perform a "vertical projection" in which the pixel columns making up the binarized

image 37 are analyzed. Each pixel column is analyzed individually and the sum of the number of black pixels in each column is computed. In some embodiments, only a pixel column having zero black pixels defines the edge of a number.

[0075] Alternatively, a low threshold for the number of black pixels may be set to account for dirt, scratches and other disturbances. Difference values for adjacent columns are calculated and the boundary having the greatest difference represents the edge of the number. Additionally, the pixel content of overlapping groups of columns (e.g. three adjacent columns) may be calculated to aid in determining the horizontal edges of the numbers.

[0076] The processing arrangement then performs a “horizontal projection” in which the pixel rows making up the binarized image 37 are analyzed. This proceeds in a similar manner to that as described above with regard to the vertical projection.

[0077] The expected result of the horizontal projection is added to that of the vertical projection such that the edges of the visible numbers are identified. The processing arrangement 22 may be pre-programmed with the expected height (in pixel rows) of a full number, and so is able to recognize the presence of partially visible numbers.

[0078] In another embodiment, the “horizontal projection” and the “vertical projection” may be based on an analysis where the sum of white pixels is computed, provided that the expected number of white pixels in each row and column is known.

[0079] Knowing the exact location allows for using only the part of the image which represents the visible number or numbers for the next steps in the OCR process. By this any impact of other objects besides the number, e.g. dirt, scratches and other disturbances, can be reduced.

[0080] Further, the total number of pixels to be processed in subsequent steps, e.g. in the pattern matching step, is also reduced. This helps reducing resource requirements. This also helps increasing performance. In addition, knowing the exact location also supports determining the vertical position relative to the center of the image.

[0081] The next step in the OCR process is to select one of the visible numbers to be decoded and identified. This is done by designating one of the numbers as the “primary digit row”. The primary digit row is selected based on which visible number has the greatest height. This is because all of the numbers printed on the sleeve 70 have approximately the same height and it can be assumed that the number having the greatest height will be fully visible and therefore easy to decode with a high degree of certainty. In the example shown in FIG. 7, the number “6” has a greater height than the partially visible numbers above and below and so is selected as the primary digit row. In the example shown in FIG. 8, both the numbers “6” and “8” are fully visible and have the same height. In this case, the uppermost number is selected as the primary digit row. The primary digit row is the number which is subsequently used to determine the dose dialed into the injection device 1.

[0082] A standard injection device 1 for self administration of insulin can inject any number of units of medicament from 1 to 80 IU. Therefore, in order to properly decode the number identified as the primary digit row, it must be determined whether the number consists of one or two digits.

[0083] The processing arrangement 22 therefore performs a series of steps in order to determine whether each number consists of one or two digits, and in the latter case, to separate the digits from each other. The processing arrangement 22 may use the column pixel information previously calculated for this purpose. In the example shown in FIG. 9, 9 IU of medicament have been dialed into the injection device 1. The expected results of the horizontal and vertical projections are shown. The number “10” is of greater height than the number “8” and is therefore selected as the primary digit row.

[0084] After this the processing arrangement 22 determines whether the selected primary digit row is wider than a pre-defined “maximum digit width” value. The processing arrangement 22 may be pre-programmed with information relating to the expected size of the numbers in the captured images, so that a maximum expected width for a single digit can be defined. In order to increase reliability, the maximum width may be set as a small number of pixel columns more than the widest number. If the width of the primary digit row is the maximum digit width or less, it is assumed that the row contains a single digit. If the primary digit row is too wide to be a single digit, then a second vertical projection is then performed on the primary digit row (rather than on the whole image). In addition, the expected width of each individual digit may be used to predict the point at which the separation should occur.

[0085] The exemplary field of view 900 shown in FIG. 9 is a diagrammatic representation in which the numbers are well spaced. In other arrangements, the numbers may be displayed quite close together in the dosage window, owing to limited available space and the need for the numbers to be readable to a user. Thus, after binarization, the two digits making up the number may not be cleanly separated, i.e. there may not be a column having no black pixels between the two digits. This is the case in the exemplary binarized image shown in FIG. 6, in which the “7” and “4” of the upper digits 37 do not have a pixel column between them containing no black pixels. In this case, the expected width of each individual digit is again used to predict the point at which the separation should occur. If the predicted column contains black pixels, then the deviations of this column from adjacent columns are calculated to determine the best separation point. In this situation, as it is not clear whether the black pixels in the chosen separating column belong to the left or right digit, they are ignored. This has been shown to have a minimal effect on the reliability of the OCR process to correctly identify the digits.

[0086] A pattern matching process is then performed to identify the digits in the primary digit row. Templates for each number may be pre-programmed via the app and the identified digits may then be compared to these templates. In a straight forward approach the pattern matching could be performed on a pixel-by-pixel basis. However, this may require high computing power and may be prone to position variation between the image and the template. Where templates are used, the app may be configured to cause the processing arrangement 22 to perform other types of manipulation on the images numbers, for example by changing the size of one or more digits, cropping the numbers to a defined pixel area and shearing numbers printed in an italic font into an upright position. These manipulations may be performed before a pattern matching comparison with the stored templates. Alternatively, these manipulations may be

performed in preprocessing before the binarization process. Additional shading, distortion and exposure correction may also be performed.

[0087] In some other embodiments, a feature recognition process is performed. Features may be horizontal, vertical or diagonal lines, curves, circles or closed loops etc. Such features may be recognized in the image of the selected number and compared with templates.

[0088] In yet further embodiments, the pattern matching algorithm may be based on a vector comparison process. For example, the templates may be in the form of vectors describing the position and length of each line (continuous run) of black pixels. In one example, the position and length relate to the absolute position in the respective line. In another example, the position and length relate to a vertical line extending through the center of the template. The captured binary image of each digit may similarly be converted into vectors and compared with each stored template in turn to find the best match. When comparing the vectors of the captured image with a particular digit template, any deviations result in a penalty being applied for the likelihood of a match between the image and that template. The magnitude of the penalty may depend on the number of missing or extra black pixels in the image compared to the template.

[0089] After the digit image has been compared with each template and all of the penalties have been applied a decision is made as to which digit is present. In good optical conditions, the correct template will have a very low penalty, while all other templates will have a high penalty. If the primary digit row consists of two digits, this process is performed on both digits and the processing arrangement **22** can then combine the outcomes to produce a final result for the number.

[0090] Special measures may exist for certain digits. For example, “1” deviates substantially in width from all other digits resulting in common misdetections. To counter this, if a binary image of a digit is wider than the expected width of “1”, then it receives an additional detection penalty when being compared with the stored vector template of “1”.

[0091] In some exceptional cases, if the confidence level in the result of the pattern matching of the primary digit row is below a certain threshold (e.g. 99%), then the processor may perform a second pattern matching process on one or more of the other visible or partially visible numbers. Since the order of the numbers is known, this second pattern matching can act as a check that the first pattern matching returned the correct result.

[0092] If the confidence level in the result is still not high enough, then steps **s3.1** to **s3.6** may be repeated for a second image from the video recorded by the video camera **21**. Alternatively, an error message may be displayed and, optionally, an instruction issued to the user through the output arrangement **29, 30** to continue capturing video images of the dosage window **13** or to enter dosage information manually, via the input arrangement **27, 28**.

[0093] If the digit or digits of the primary digit row have been successfully identified, a weighting function is applied in order to determine a dose displayed in the dosage window **13** (step **s3.7**). To formulate the weighting function, the vertical position of the primary digit row relative to the center of the dosage window **13** may be determined. This may be done by calculating the offset of the middle pixel

row comprising the primary digit row relative to a pixel row representing a center line of the dosage window **13** in the image.

[0094] For example, in some embodiments the optical sensor comprises a rectangular 64x48 array of photosensitive elements. The resulting binary image is a pixel array having these same dimensions. The 24th and/or 25th pixel row may be designated as the central row of the image. The position of the middle pixel row comprising the primary digit row is determined. The offset, in pixel rows, between the middle pixel row comprising the primary digit row and the central row or rows of the image is then calculated. This offset may be positive or negative depending on the direction of the offset. The offset is converted into a fraction by dividing it by the distance (in pixel rows) between successive numbers before being applied to the determined numbers accordingly. The offset therefore allows for determining the rotational position of the number relative to the sensor. If the central pixel row of the primary digit row is the same as the central pixel row of the image, then the offset is zero and the position is equal to the primary digit row number. However, there is likely to be some offset in most circumstances.

[0095] The distance between successive numbers printed on the number sleeve **70** is constant, since the numbers represent a dose which is related to a discrete mechanical movement of the injection device mechanism. Therefore, the distance (in pixel rows) between successive numbers in the captured image should also be constant. The expected height of the numbers and spaces between the numbers may be pre-programmed into the app. As an example, the expected height of each numbers may be 22 pixels and the expected height of the spaces between the numbers may be 6 pixels. Therefore, the distance between the central pixel rows of successive numbers would be 28 pixels.

[0096] Continuing this example, if the pixel rows are numbered sequentially from the top to the bottom of the image, the application of the weighting function may be defined mathematically as:

$$\text{Position} = \text{primary digit row number} + [2 \times \text{offset} / (\text{expected height of number} + \text{expected height of space})]$$

Where offset = image row number corresponding to the center of the dosage window - primary digit row central row number

[0097] Thus, if the primary digit row is in the upper half of the image, then the offset is positive and if the primary digit row is in the lower half of the image, then the offset is negative. For example, if the number shown in the primary digit row is “6” and the offset is zero, then the calculated position would be:

$$\text{Position} = 6 + [2 \times 0 / (28)] = 6$$

[0098] Thus a result of “6” would be returned as expected.

[0099] In another example, where 75 IU are dialed into the injection device **1**, if the top number, “74”, is selected as the primary digit row and there is a positive offset of 11 pixel rows according to the equation above, and again assuming a combined number/space height of 28 pixels, the calculated position would be:

$$\text{Position} = 74 + [2 \times 11 / (28)] = 74.79$$

[0100] This result is then rounded up to the nearest whole number, to give a position determination of “75” as expected.

[0101] The skilled person will appreciate that the above described weighting function and position determination represents only one example and that numerous other calculation methods may be used to arrive at the same result. The skilled person would also appreciate that the above described mathematical calculation may be modified and improved to reduce the computation time. Thus the exact form of the weighting function is not essential to a definition of the present disclosure.

[0102] In some injection devices, due to space restrictions and the need for the numbers to be of a certain size, only even numbers are presented in the dosage window 13. In some other injection devices, only odd numbers may be displayed. However, any number of units of medicament can be dialed into the injection device 1. In other injection devices, both even and odd numbers may be presented and it may be possible to dial half-unit doses into the injection device. The injection device may be limited to a maximum dialed dose of 80 IU. Alternatively, only every 3rd, 4th or 5th number may be displayed and doses between the numbers may be indicated by tick marks. In view of this, the app may include instructions for controlling the processing arrangement 22 to identify the numbering sequence used in the injection device 1. For example, the user may be prompted to enter information regarding the injection device 1 via a keypad 27 or touch-screen 33 or information obtained from the image, for example from the text or a barcode on the label 19 may be used. The app may include a look-up table or other information indicating the numbering sequences used for various injection devices 1. The processing arrangement 22 may then determine the selected dose based on both OCR data and the appropriate numbering sequence for the injection device 1. Alternatively, or additionally, a modified form of the weighting function may be used, as the height of the numbers and size of the space between the numbers may also be modified.

[0103] The method may optionally include post-processing, such as performing sanity checks and hysteresis calculations. Alternatively, the result of the OCR process may be finalized without post-processing.

[0104] The OCR process, as described above in steps s3.6 to s3.7, is then repeated on at least one subsequent image from the video, in order to determine whether the dialed dosage has changed (step s3.8). This step is intended to determine whether the dosage identified in step s3.7 represents a dosage to be delivered by the injection device 1 or whether the user has continued to adjust the dialed dosage using the knob 12. In some embodiments, the processing arrangement 22 is configured to identify the last determined dosage in the video to be the actual dosage delivered to the user. In other example embodiments, the processing arrangement 22 may identify an actual dosage delivered by the injection device 1 based on the detection of the same dialed dosage in a predetermined number of successive, or a sequence of substantially successive, video frames in steps s3.6 to s3.7.

[0105] Information regarding the type of medicament may be obtained by one or more of using OCR from a part of the image including the label 19, extracting and interpreting a barcode from a part of the image including the label 19 or

by identifying a color of a part of the injection device 1 that indicates the medicament type from the image (step s3.9).

[0106] In embodiments where color detection is used, the numbered sleeve 70 of the injection device 1 may be configured to provide reference color information to allow one or more colors in the image to be identified correctly. For example, the background of the printed numbers may be used to provide a white balance level for calibrating the colors of the components of the injection device 1 as shown in the image.

[0107] Information regarding the time at which the medicament was delivered by the injection device 1 is obtained from timestamp data associated with the video recording (step s3.10).

[0108] The information obtained from the video may then be stored in the random access memory 24 of the data collection device 20 (step s3.11) and/or transmitted to another device via a network, such as a cellphone network, personal area network, WLAN or the Internet, using the communications equipment 25, 26 (step 3.12). On this manner, the administration of medicament to a patient may be recorded and/or monitored. The process ends at step s3.13.

[0109] Another embodiment of a method that may be used to collect from the injection device 1 using the data collection device is shown in FIG. 10.

[0110] Starting at step 10.0, steps 10.1 to 10.10 correspond to steps 3.1 to 3.10 respectively.

[0111] The method shown in FIG. 10 includes additional steps of analyzing the video recording to determine whether the injection device 1 is activated to deliver more than one dosage of medicament. As noted above, the injection device 1 may have an upper limit to the amount of medicament that may be delivered in one injection, such as 80 IU. In practice, more than one actual injection may be needed in order for a user to receive their required dose of medicament. If the user requires a dose above a maximum dosage of the injection device 1, for instance, above 80 IU in the example noted above, two injections might be administered in quick succession.

[0112] Alternatively, or additionally, the video may include images of a user performing one or more “prime shots” to eliminate air from the injector pen that should be disregarded when determining the dosage delivered to the user.

[0113] At step s10.11, the processing arrangement 22 determines whether the video captured by the video camera 21 includes images of a further dosage being dialed into the injector pen 1 by repeating the OCR process described in relation to steps s10.6 and s10.7 of on one or more subsequent images from the video. For example, when the SoloSTAR® pen, mentioned above, is used to administer an injection, the number displayed in the dosage window 13 decreases to zero as the medicament is delivered. Therefore, a sequence of images in the video showing a changing number in the dosage window 13 after a dialed dosage has been identified in step s10.7, or the subsequent detection of a non-zero character in the dosage window 13, may be considered an indication that a further delivery of medicament is being performed by the user.

[0114] If a further delivery of medicament is indicated, the processing arrangement 22 then determines whether the previous delivery of medicament corresponded to a “prime shot” or an actual injection of medicament (step s10.12). A

“prime shot” may be detected based on the determined dosage. For example, the detection of a dialed dosage of 2 IU or less in step s10.8 or s10.9 may be considered to correspond to a “prime shot”, rather than an injection received by the user. Alternatively, or additionally, the time stamp obtained at step s10.10 and a time stamp associated with the image on which the detection of a new dosage being dialed into the injection device 1 is based in step s10.11, or the time between detections of further dosages in step s10.11, may be used to indicate whether a “prime shot” has been performed. The administration of an injection into a user may require the needle to remain in the user’s body for several seconds, for example, 10 seconds in certain insulin injections. Furthermore, where a second injection is to be performed, the user would be expected to change the needle 15 after the first injection, increasing the time interval between detections of dialed dosages by the OCR process in steps s10.6 to s10.7 and step s10.11. Where that time interval exceeds a predetermined limit, such as 10 seconds, a second injection may be indicated. If the time interval is less than the predetermined limit, then the processing arrangement 22 may determine that the previous activation of the injection device 1 was a “prime shot”.

[0115] In embodiments where the OCR process is performed while the video is being captured by the video camera 21, the data collection device 20 may output a request to the user to indicate whether a second injection is being made and/or whether a “prime shot” has been performed, via the display 29 and/or the speaker 30. The user may respond to the request via the input arrangement 27, 28, 31.

[0116] If it is determined that only one injection was delivered at step s10.11, then the overall dosage received by the user is determined to correspond with the dosage detected in step s10.7.

[0117] If it is determined that a second injection has been delivered (step s10.11) and that neither injection was a “prime shot”, then the dosages is determined in steps 10.7 and 10.11 are added together to determine an overall dosage received by the user (step s10.13). However, if it is determined that one or more dosages detected in steps s10.7 and 10.11 related to a “prime shot” (step s10.12), then the respective determined dosages is not included in the overall determined dosage (step s10.14) and a check for further injections is made (step s10.11).

[0118] In an alternative embodiment, steps 10.12 to s10.14 may be omitted and, where further dosages are detected (step s10.11), data relating to detected dosage may be stored and/or transmitted for later analysis.

[0119] Information regarding the type of medicament and time stamp information may be stored and/or transmitted (steps s10.15, 10.16) as described above in relation to steps 3.11 to 3.12 of FIG. 3. The process then ends (step s10.17).

[0120] As shown by the embodiments discussed above, the provision of an app or similar software product to obtain information regarding an injection, other medical treatment or the operation of other equipment may permit more accurate and/or reliable recording of such information using a device, such as a wearable electronic device, that is commonly available and familiar to the user. Since the embodiments described above do not require the manufacture and distribution of a specialized data collection device,

they may, potentially, reduce the costs and complexity of providing recordation and/or monitoring of treatment or operations.

[0121] In the embodiments described above, video is captured, processed and analyzed by one data collection device 20. However, in other embodiments, the data collection device 20 may be configured to capture the video using its camera 21 and then transmit the captured video to a computer via a network, such as a wireless local area network, a personal area network, a cellular communication network or the Internet, where the computer includes a processing arrangement configured to process and analyze the video to determine a dosage displayed in the dosage window 13.

[0122] While the embodiments above have been described in relation to collecting data from an insulin injector pen, it is noted that embodiments may be used for other purposes, such as monitoring of injections of other medicaments or other medical processes. Embodiments may also be used for non-medical purposes, for example, in monitoring the operation of other types of equipment for safety reasons.

1. A method of recording a medicament dose using a data collection device, comprising:

capturing, by a video camera of the data collection device, a video showing a medicament dose indicator of an injector pen;

determining a position of at least one of one or more characters in an image in said video;

identifying the at least one character using optical character recognition software; and

determining a medicament dose indicated by the medicament dose indicator based on a result of said identifying using said optical character recognition software, wherein the injector pen comprises a movable component for selecting said medicament dose to be dispensed.

2. A method according to claim 1, wherein said data collection device is a wearable electronic device.

3. A method according to claim 1, comprising determining whether more than one delivery of medicament is recorded in said video.

4. A method according to claim 3, comprising, in response to a determination that more than one delivery of medicament is recorded in said video, determining at least a second medicament dose based on at least one character identified using the optical character recognition software on at least a second image of said medicament dose indicator in said video and determining an overall medicament dose received by a user based on said determined medicament dose and said determined second medicament dose.

5. A method according to claim 3, comprising, in response to a determination that more than one delivery of medicament is recorded in said video, determining whether said more than one delivery of medicament includes one or more prime shots.

6. A method according to claim 1, comprising obtaining color information from said image and identifying a type of medicament to be dispensed based on said color information.

7. A computer program comprising computer-readable instructions that, when executed by one or more processors, cause one or more operations to be performed, the one or more operations comprising:

capturing, by a video camera of a data collection device, a video showing a medicament dose indicator of an injector pen;

determining a position of at least one of one or more characters in an image in said video;

identifying the at least one character using optical character recognition software; and

determining a medicament dose indicated by the medicament dose indicator based on a result of said identifying using said optical character recognition software, wherein the injector pen comprises a movable component for selecting said medicament dose to be dispensed.

8. An application for a wearable electronic device, wherein said application comprises the computer program according to claim 7.

9. A data collection apparatus for recording a medicament dose, the data collection apparatus comprising:

- a video camera; and
- a processing arrangement configured to:
 - capture a video using said video camera, said video including at least one image of a medicament dose indicator of an injector pen;
 - determine a position of at least one of one or more characters in the at least one image;
 - identify the at least one character using optical character recognition software; and
 - determine a medicament dose indicated by said medicament dose indicator based on a result of said identifying using said optical character recognition software, wherein the injector pen comprises a movable component for selecting said medicament dose to be dispensed.

10. A data collection apparatus according to claim 9, comprising a wearable electronic device including said video camera.

11. A data collection apparatus according to claim 10, wherein said wearable electronic device is configured to be worn on the head of a user.

12. A data collection apparatus according to claim 9, wherein said processing arrangement is configured to determine whether more than one delivery of medicament is recorded in said video.

13. A data collection apparatus according to claim 12, wherein the processing arrangement is configured to respond to a determination that more than one delivery of medicament is recorded in said video by determining at least a second medicament dose based on at least one character identified using the optical character recognition software on at least a second image of said medicament dose indicator in said video and determining an overall medicament dose received by a user based on said determined medicament dose and said determined second medicament dose.

14. A data collection apparatus according to claim 12, wherein said processing arrangement is configured to respond to a determination that more than one delivery of medicament is recorded in said video by determining whether said more than one delivery of medicament includes one or more prime shots.

15. A medicament delivery system comprising:

- a medicament delivery device; and
- the data collection apparatus according to claim 9.

* * * * *