



US 20180060851A1

(19) **United States**

(12) **Patent Application Publication**
Govindarajan et al.

(10) **Pub. No.: US 2018/0060851 A1**
(43) **Pub. Date: Mar. 1, 2018**

(54) **POINT-OF-SALE SYSTEMS**

Publication Classification

(71) Applicant: **PayPal, Inc.**, San Jose, CA (US)
(72) Inventors: **Satish Govindarajan**, Los Altos, CA (US); **Michael Voege**, Santa Clara, CA (US); **Murthy Bobba**, Los Altos, CA (US); **Khiem Pham**, Pleasanton, CA (US); **Gunabalan Babu**, Waterloo, CA (US); **Uris Dacosta**, San Jose, CA (US); **Richard Tilghman**, San Jose, CA (US); **Daniel Potter**, San Jose, CA (US)

(51) **Int. Cl.**
G06Q 20/20 (2012.01)
G07G 5/00 (2006.01)
G07G 1/12 (2006.01)
G07G 1/00 (2006.01)
G06F 1/16 (2006.01)
G06Q 90/00 (2006.01)
(52) **U.S. Cl.**
CPC **G06Q 20/206** (2013.01); **G07G 5/00** (2013.01); **G07G 1/12** (2013.01); **G07G 1/0018** (2013.01); **G06Q 90/00** (2013.01); **G06Q 20/208** (2013.01); **G06Q 20/204** (2013.01); **G06F 1/1633** (2013.01); **G06F 1/1632** (2013.01)

(21) Appl. No.: **15/804,465**

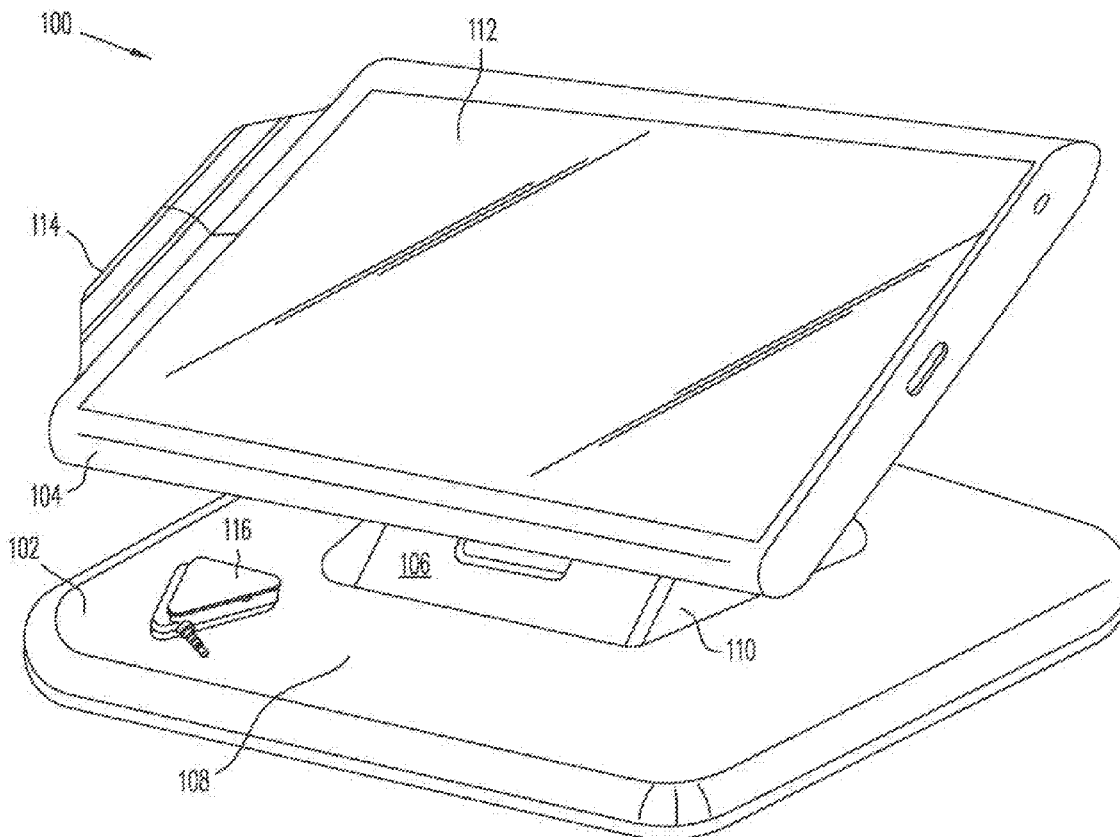
(22) Filed: **Nov. 6, 2017**

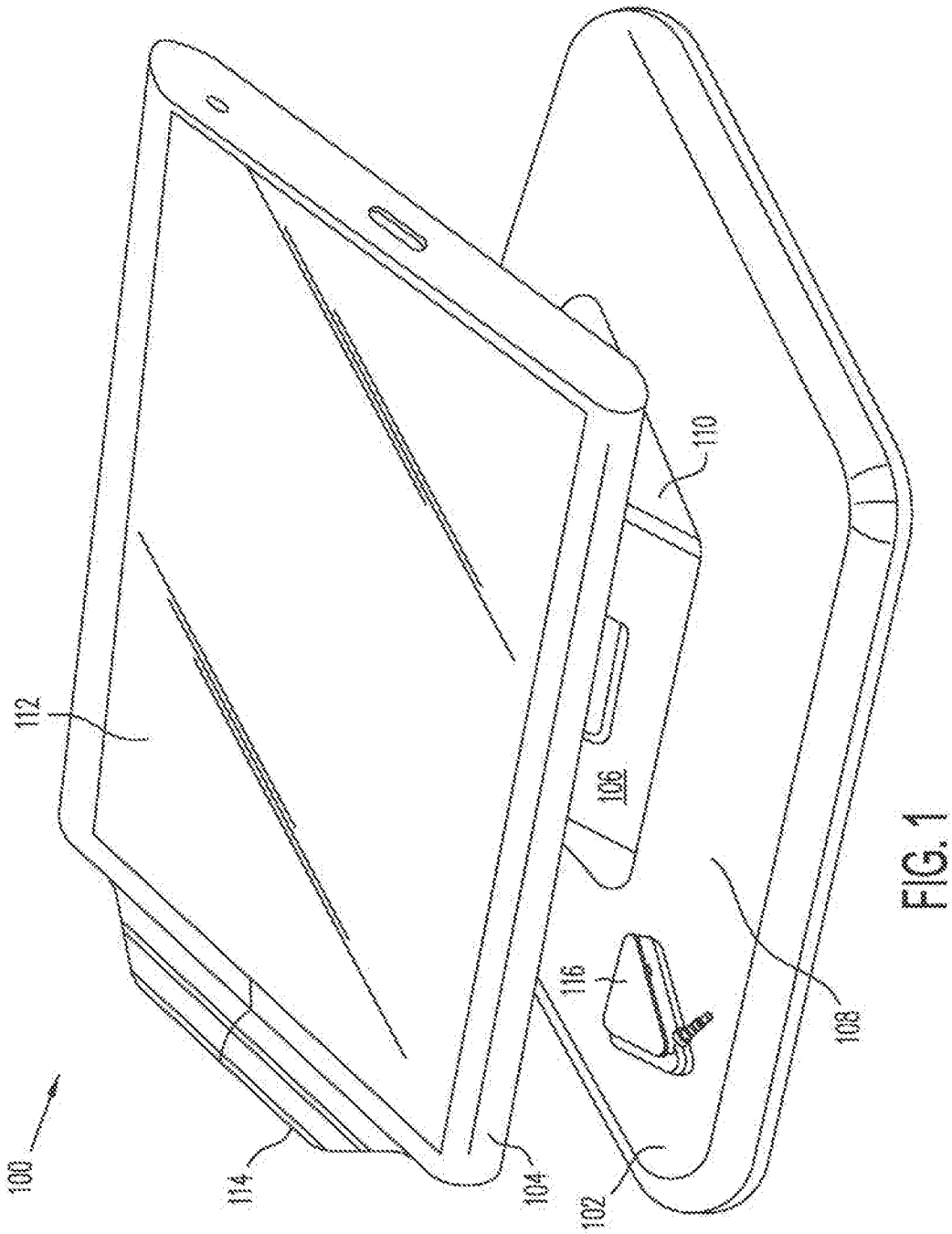
Related U.S. Application Data

(63) Continuation of application No. 15/150,080, filed on May 9, 2016, now Pat. No. 9,846,870, which is a continuation of application No. 14/659,419, filed on Mar. 16, 2015, now Pat. No. 9,355,533, which is a continuation of application No. 14/099,681, filed on Dec. 6, 2013, now Pat. No. 9,033,228.
(60) Provisional application No. 61/839,692, filed on Jun. 26, 2013.

(57) **ABSTRACT**

A point-of-sale (POS) system is provided. The POS system may include an adjustable housing configured to receive a computing device. The POS system housing may be adjustable so that a screen of the computing device can be viewed by a merchant and a customer. The computing device may be removable from the housing for use as a mobile POS system. The POS system may also include electronics for accepting various forms of payment and for connecting the computing device to a network.





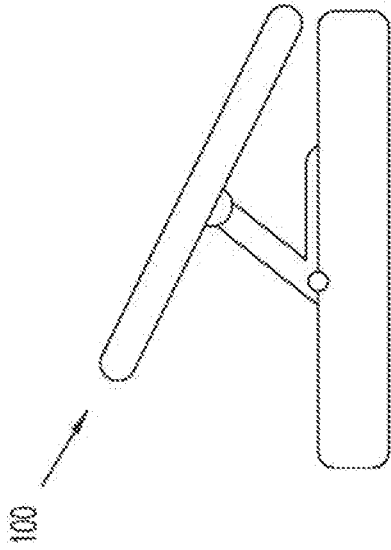


FIG. 2B

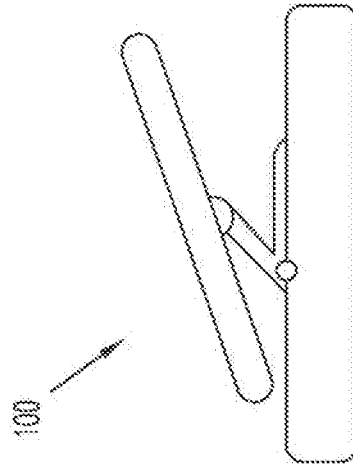


FIG. 2D

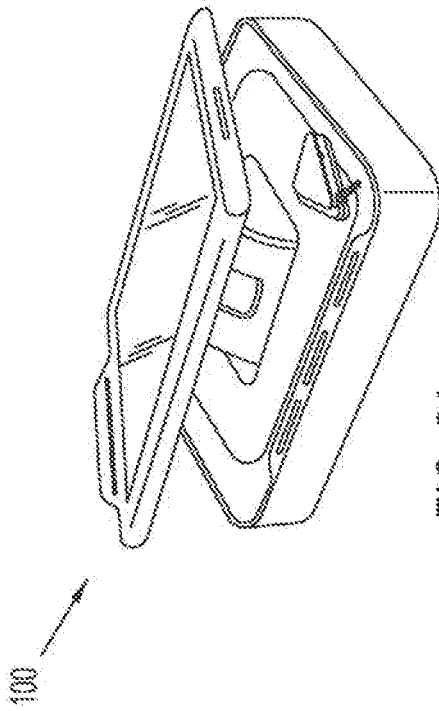


FIG. 2A

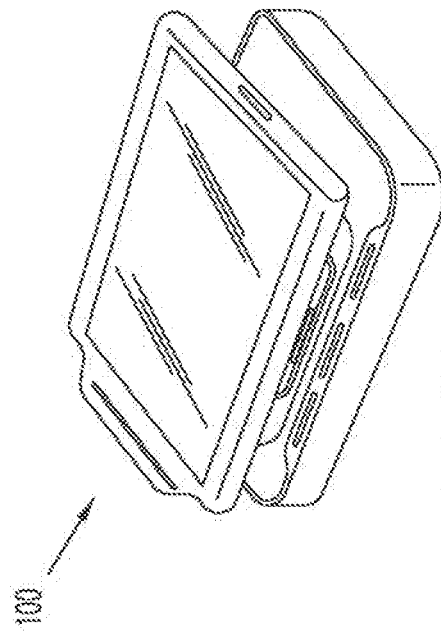


FIG. 2C

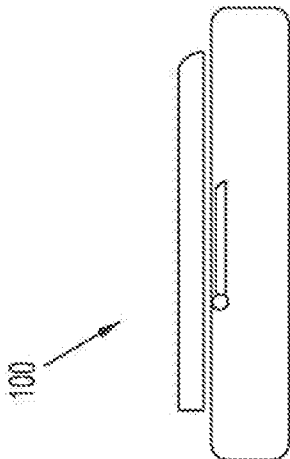


FIG. 2F

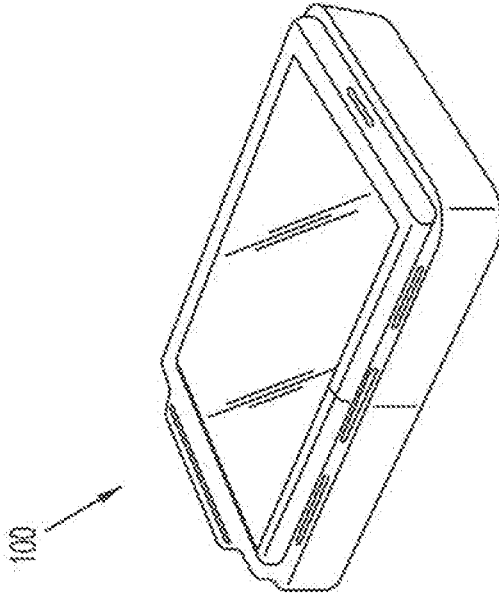
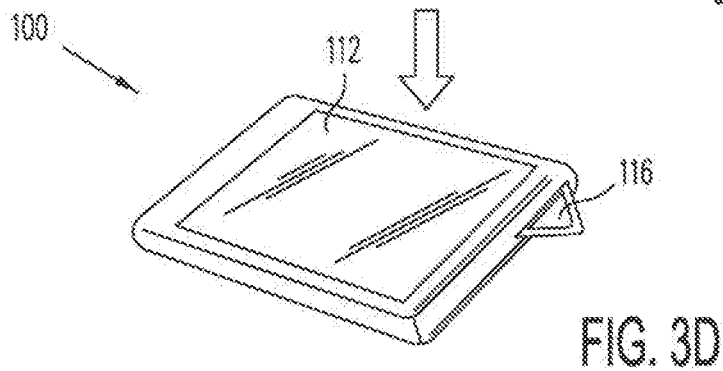
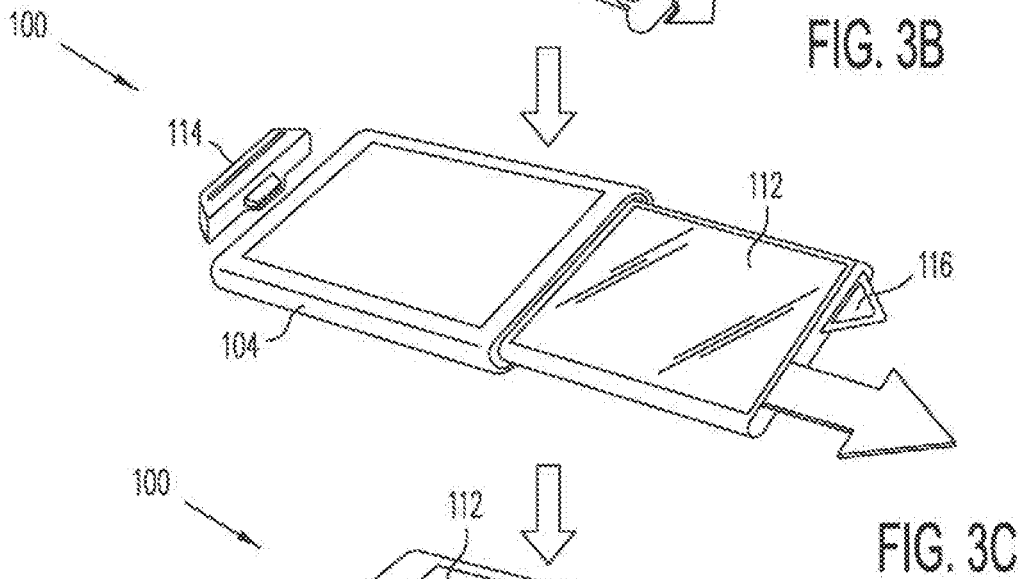
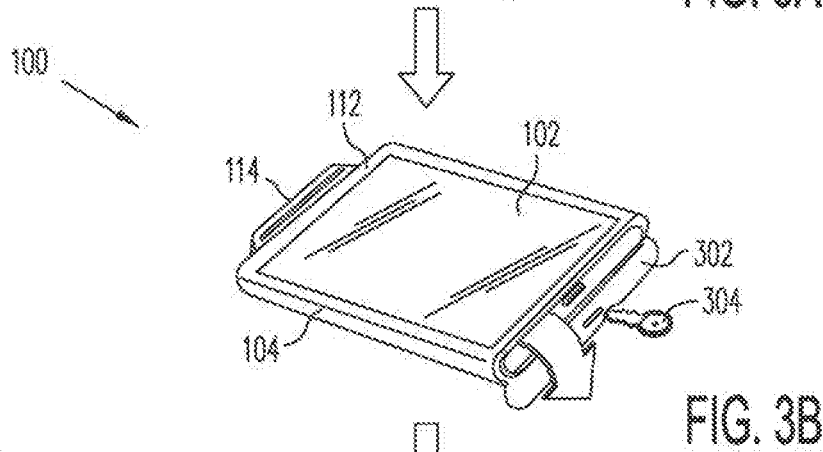
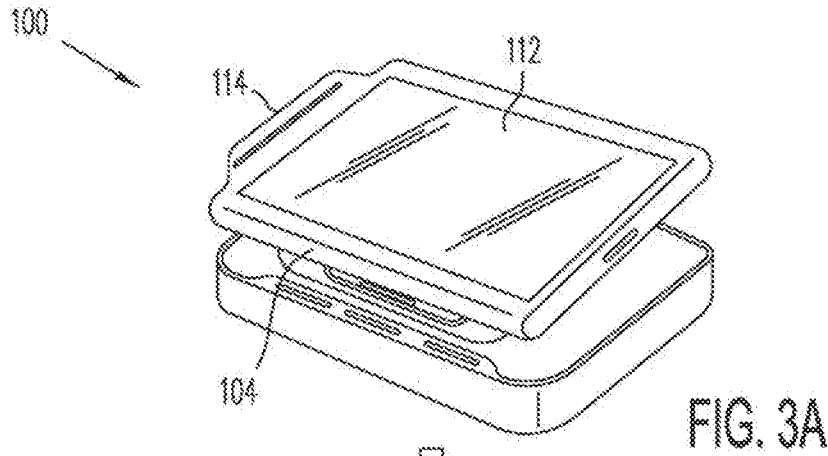


FIG. 2E



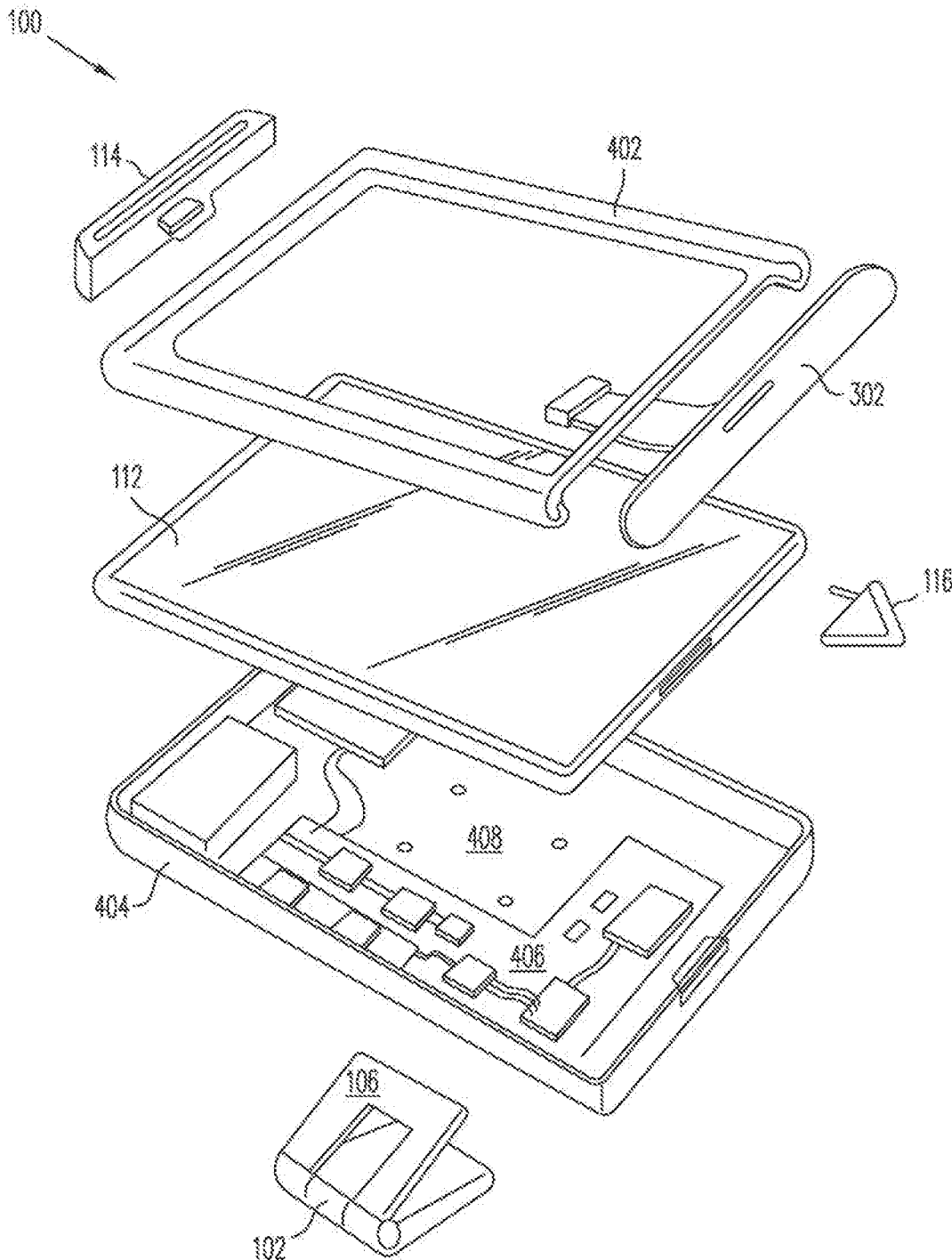


FIG. 4

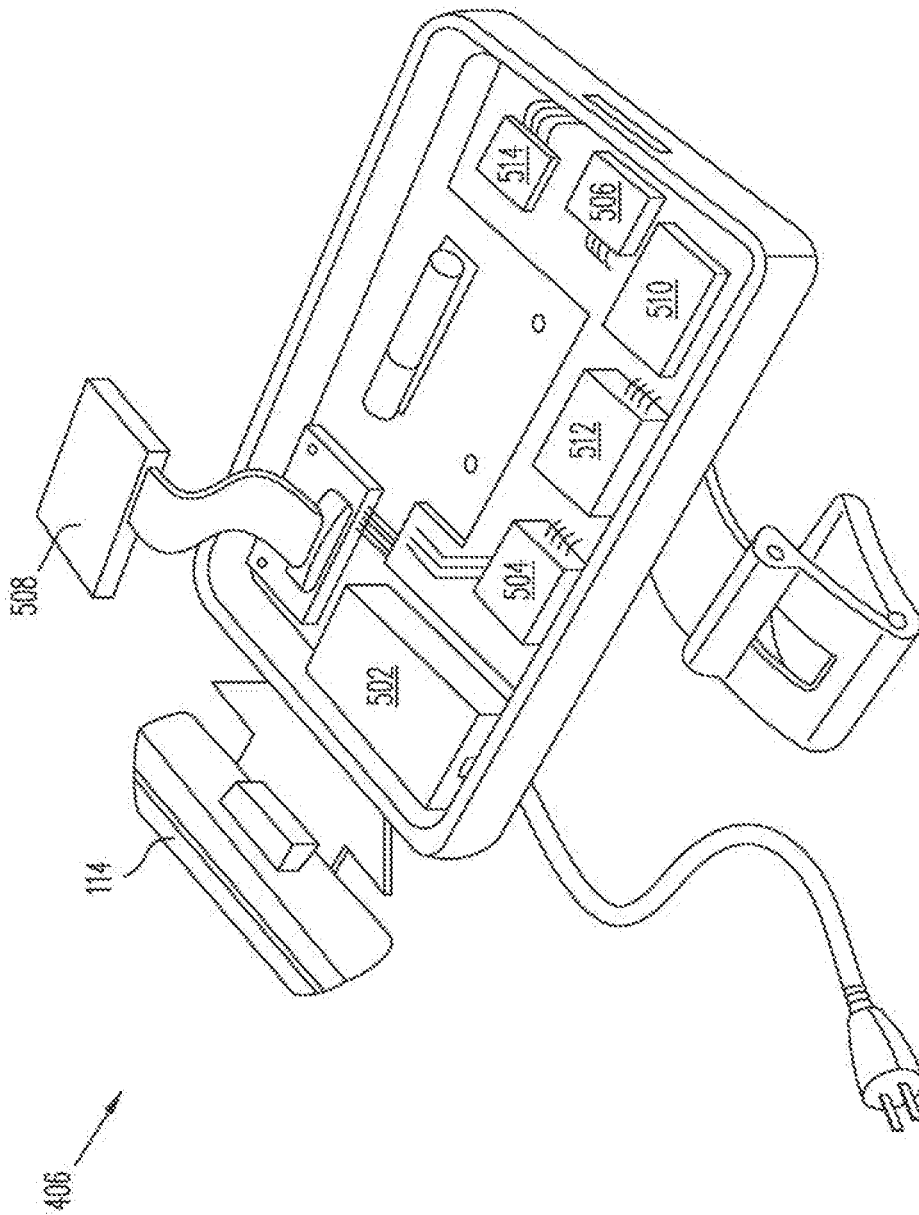
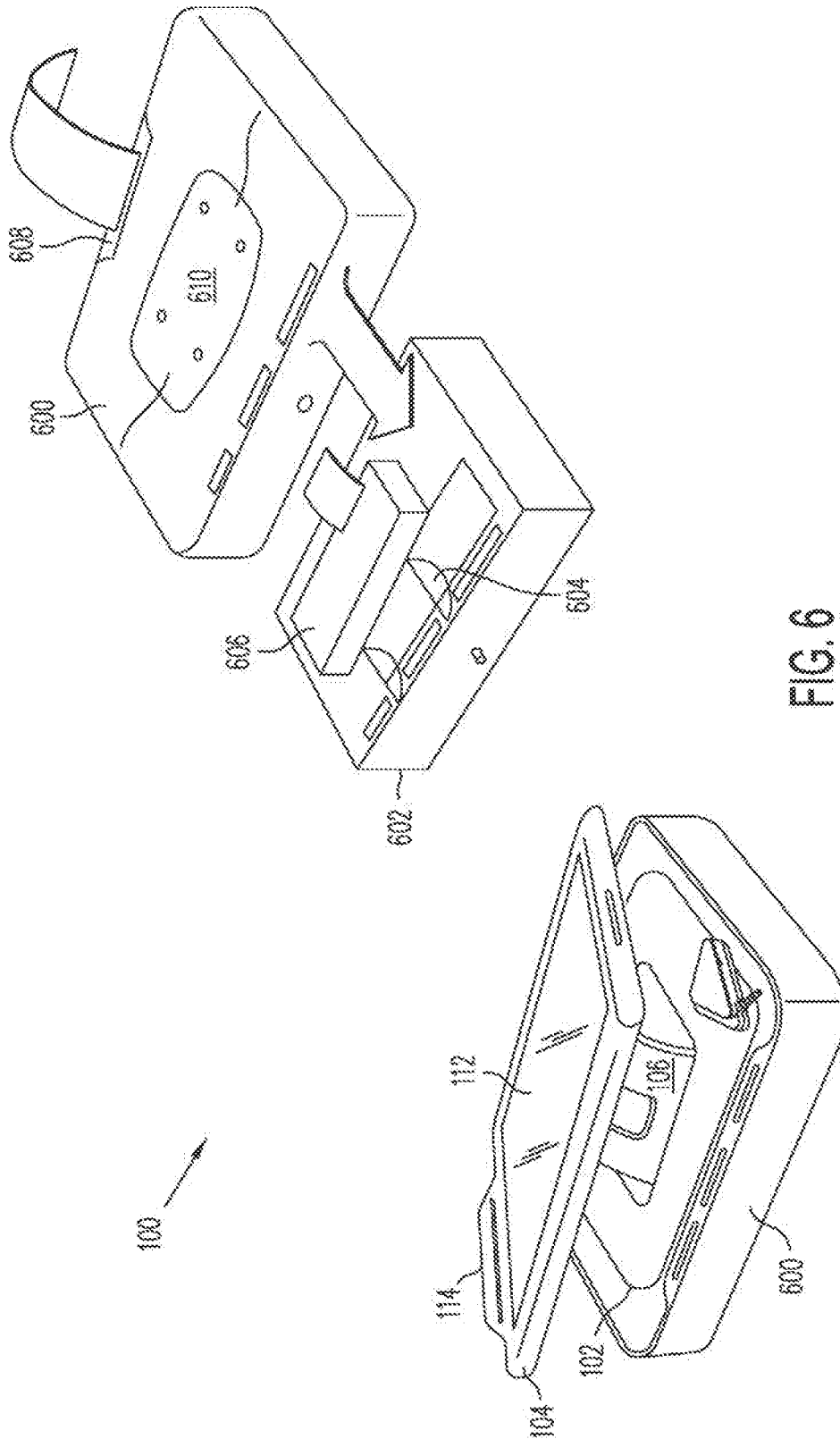
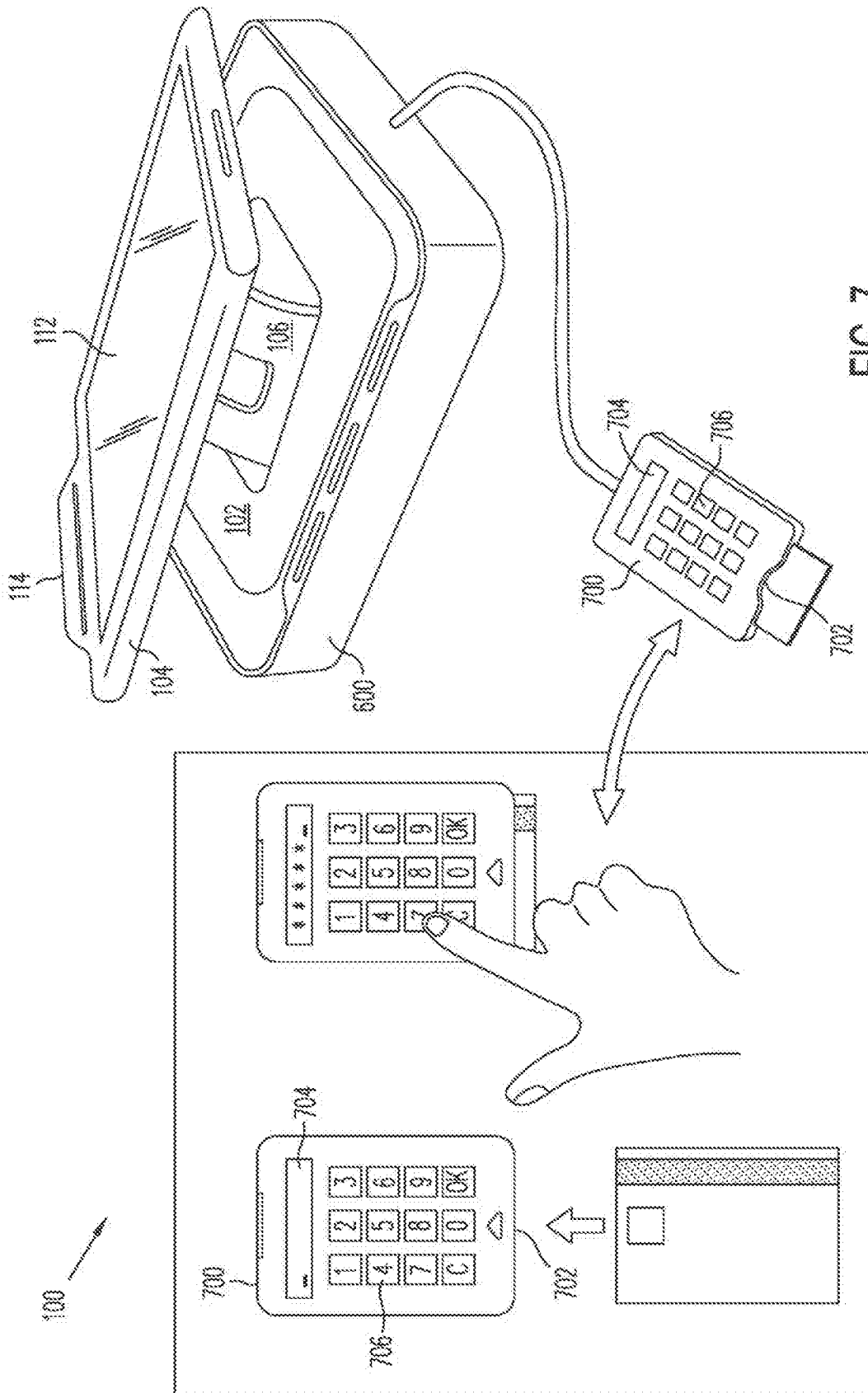


FIG. 5





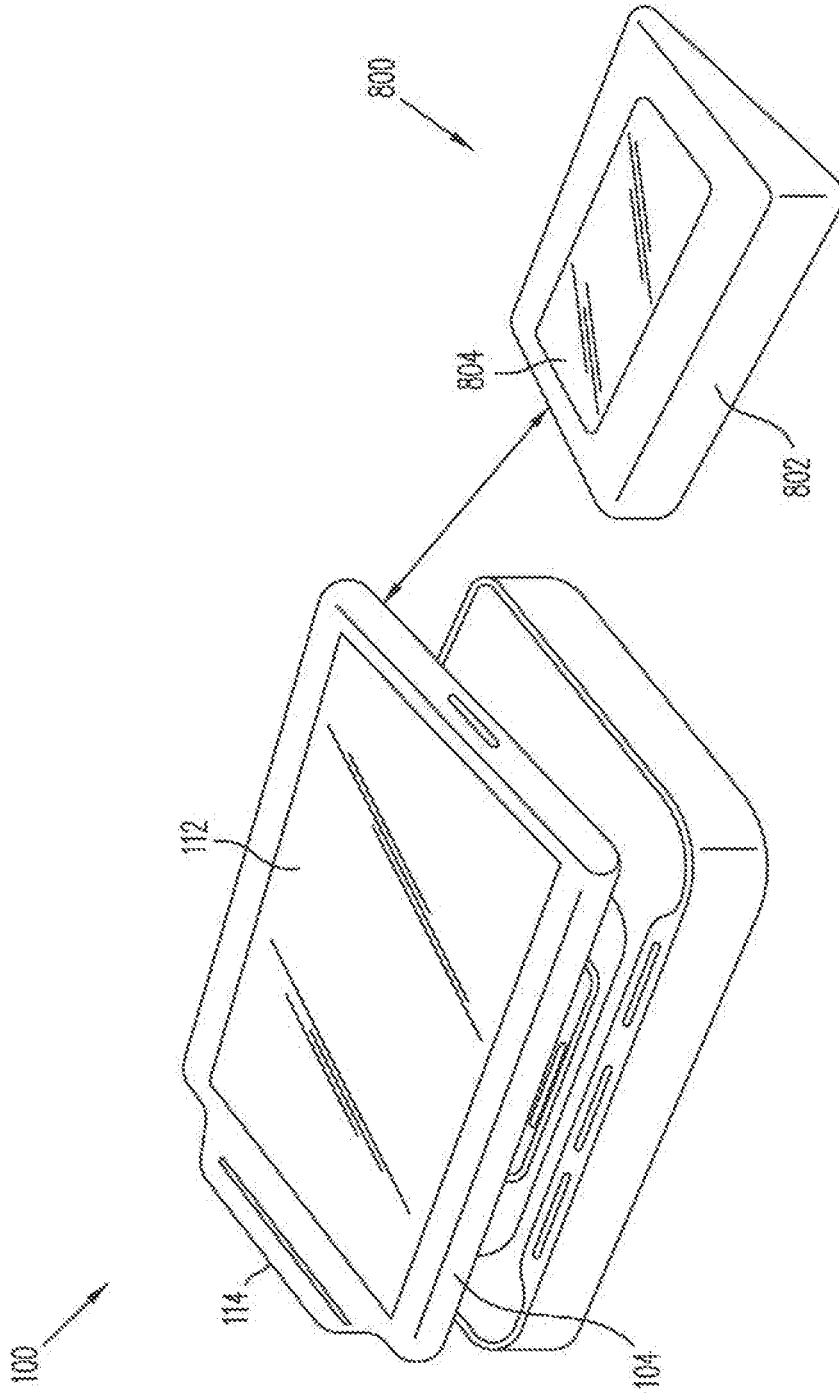


FIG. 8

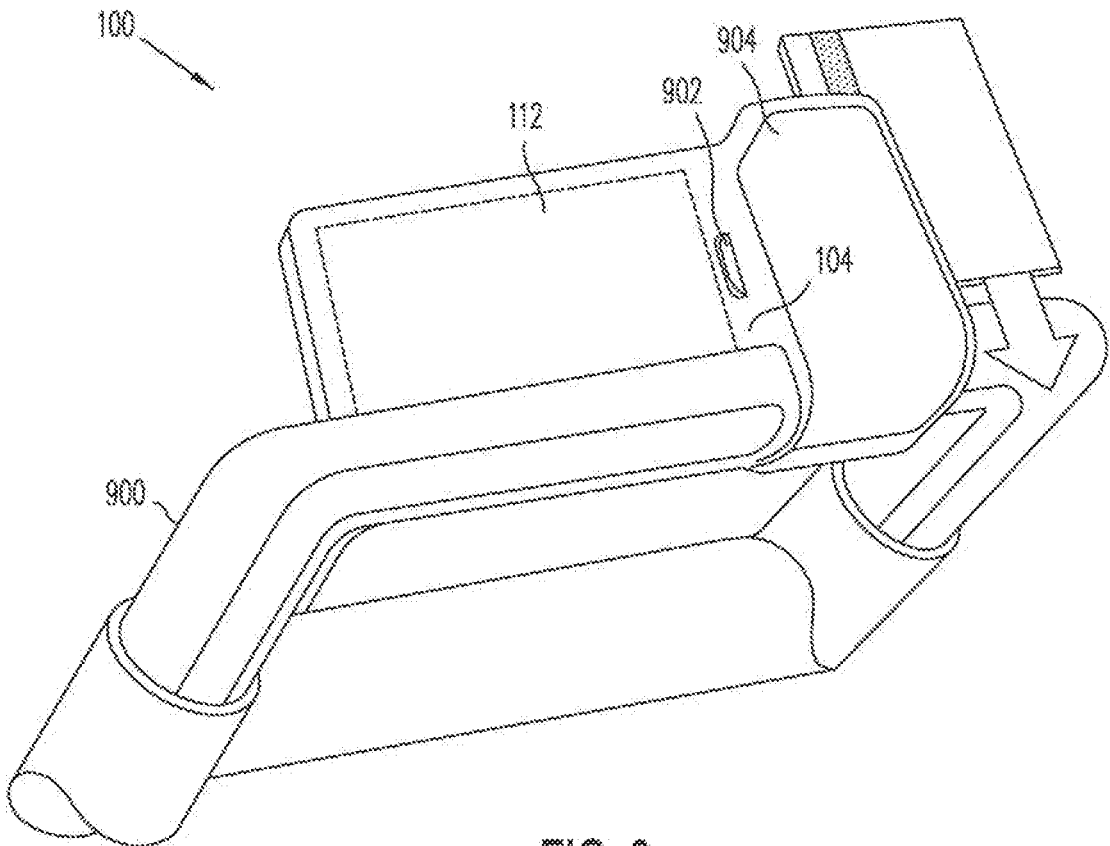


FIG. 9

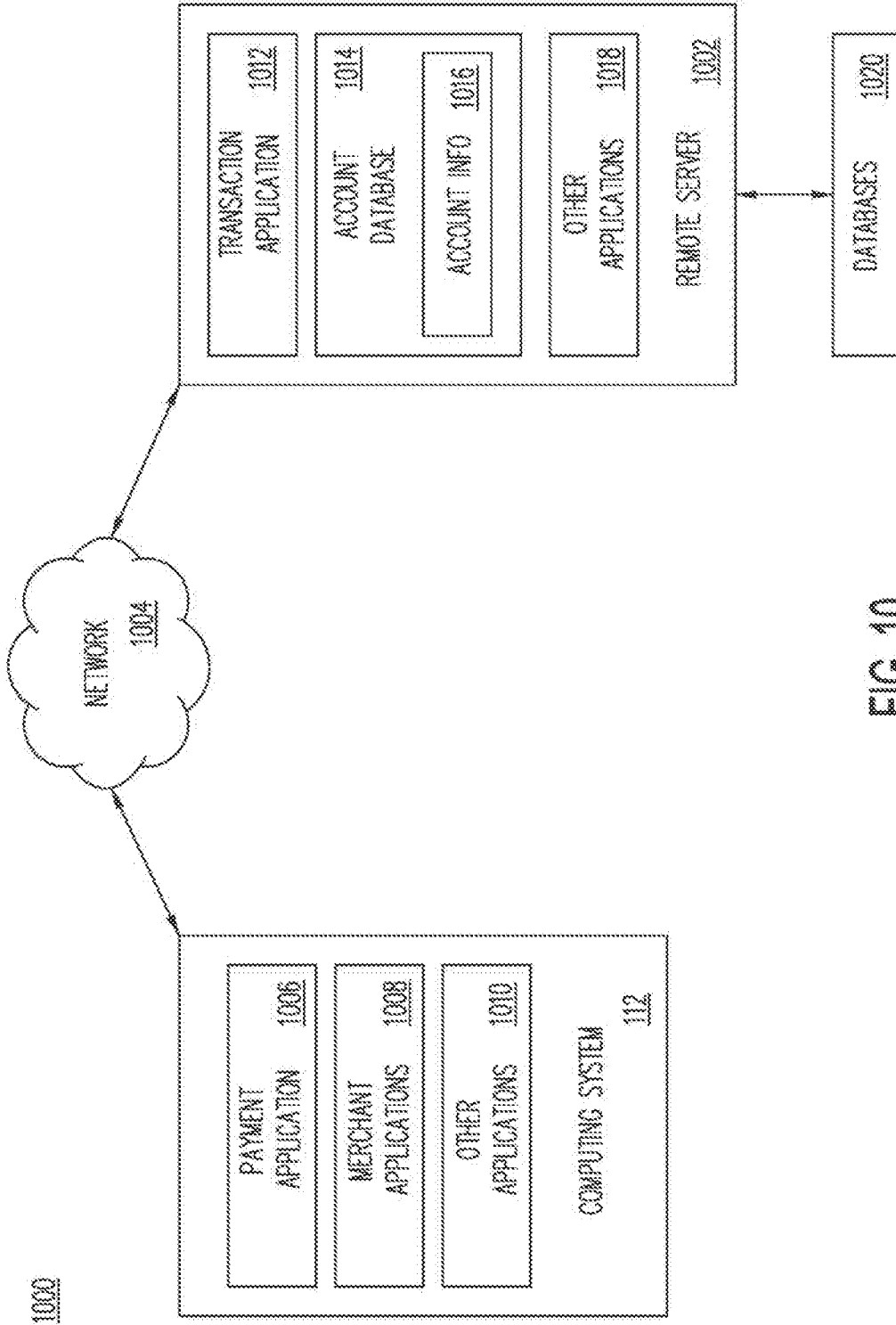


FIG. 10

1100

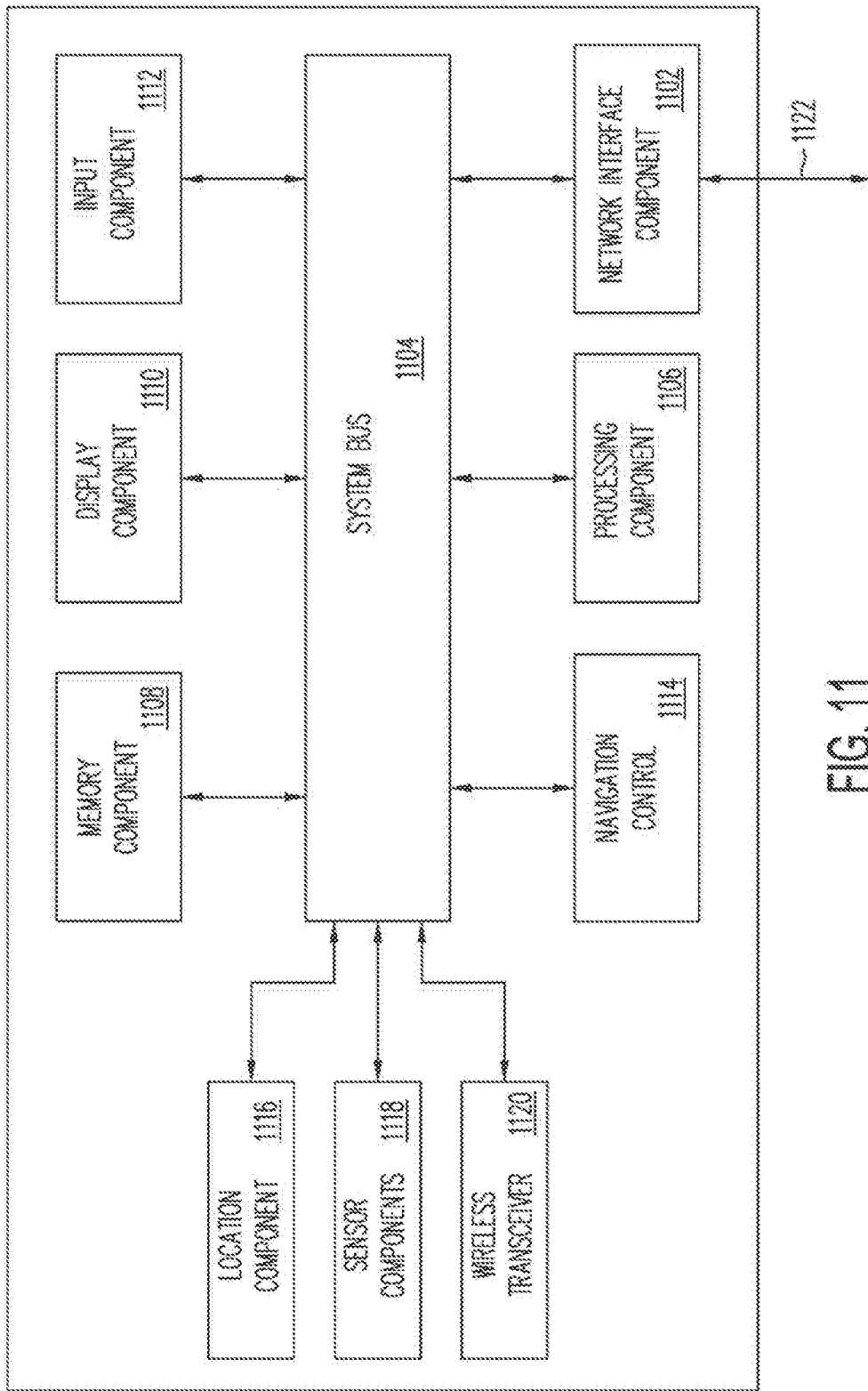


FIG. 11

POINT-OF-SALE SYSTEMS

CROSS REFERENCE TO RELATED APPLICATIONS

[0001] The present application is a continuation of U.S. patent application Ser. No. 15/150,080, filed May 9, 2016, which is a continuation of U.S. patent application Ser. No. 14/659,419, filed on Mar. 16, 2015 (now U.S. Pat. No. 9,355,533, issued on May 31, 2016), which is a continuation of U.S. patent application Ser. No. 14/099,681, filed on Dec. 6, 2013 (now U.S. Pat. No. 9,033,228, issued on May 19, 2015), which claims priority to U.S. Provisional Patent Application No. 61/839,692, filed on Jun. 26, 2013.

[0002] All above-identified patent applications and patents are hereby incorporated by reference in their entireties.

BACKGROUND

Technical Field

[0003] Embodiments disclosed herein are related to point-of-sale systems.

Related Art

[0004] Point-of-sale (POS) systems traditionally have been fixed terminals, such as a cash register, a computer terminal executing merchant-specific applications for processing transactions, a scale, barcode scanner, and the like. These traditional terminals are useful for placing behind a counter and conducting transactions at the counter. However, when a merchant wants or needs to conduct a transaction away from the counter, they are unable to move the fixed terminal, and must rely on other ways of conducting the transaction, or require the customer to come to the counter. Fixed POS terminals usually have a single screen that can be viewed by the merchant and sometimes by the customer, and may only provide a small display to the customer, if at all. Moreover, fixed terminals are typically fixed in the software sense as well, as the applications used on the terminals are typically fixed, developed, owned, and even controlled by the terminal manufacturer or distributor, and are not able to be easily modified or adaptable to meet the needs of the merchant.

BRIEF DESCRIPTION OF THE FIGURES

[0005] FIG. 1 is a detailed illustration of a point-of-sale (POS) system, consistent with some embodiments.

[0006] FIGS. 2A-2F illustrate a POS system in different orientations, consistent with some embodiments.

[0007] FIGS. 3A-3D are diagrams illustrating removing a computing device from a POS system and using the computing device as a mobile POS terminal, consistent with some embodiments.

[0008] FIG. 4 is an exploded view of a POS system, consistent with some embodiments.

[0009] FIG. 5 is a diagram illustrating a printed circuit board and components of a lower housing of a POS system, consistent with some embodiments.

[0010] FIG. 6 is a diagram illustrating a POS system having a register component, consistent with some embodiments.

[0011] FIG. 7 is a diagram illustrating a POS system having chip and personal identification number (PIN) integration, consistent with some embodiments.

[0012] FIG. 8 is a diagram illustrating a POS system having a secondary device, consistent with some embodiments.

[0013] FIG. 9 is a diagram illustrating a POS system mounted on a cart, consistent with some embodiments.

[0014] FIG. 10 is a block diagram of a networked system, consistent with some embodiments.

[0015] FIG. 11 is a diagram illustrating a computing system, consistent with some embodiments.

[0016] In the drawings, elements having the same designation have the same or similar functions.

DETAILED DESCRIPTION

[0017] In the following description, specific details are set forth describing certain embodiments. It will be apparent, however, to one skilled in the art that the disclosed embodiments may be practiced without some or all of these specific details. The specific embodiments presented are meant to be illustrative, but not limiting. One skilled in the art may realize other material that, although not specifically described herein, is within the scope and spirit of this disclosure.

[0018] What is needed are POS systems with additional functionalities and alternative form factors, and provide a convenient bridge between traditional stationary POS systems and mobile POS systems.

[0019] Consistent with some embodiments, there is provided a point-of-sale (POS) system. The POS system includes a stand, the stand including an adjustable arm configured to be adjusted between at least a first stand position and a second stand position. The POS system also includes a housing coupled to the stand. The housing includes a first housing portion having a printed circuit board (PCB) attached thereto, a second housing portion having a side panel attached to a first side, and a magnetic stripe reader attached to a second side. The housing is also configured to removably enclose a computing device between the first housing portion and the second housing portion, the computing device being removable through at least the side panel, wherein the computing device faces a merchant at the first stand position, and faces a customer at the second stand position.

[0020] Consistent with some embodiments, there is further provided a point-of-sale (POS) system. The POS system includes a housing configured to support a computing device in communication with a payment service provider over a network, the payment service provider server processes transactions performed at the point-of-sale system. The POS system also includes a stand coupled to the housing and a card reader coupled to the housing and the stand.

[0021] Embodiments described herein may provide a POS system that a merchant can use at a fixed location such as a counter, while also allowing the merchant to use the POS system as a mobile POS system. Embodiments described herein may also provide a POS system that can be used by customers as a mobile POS system. In some embodiments, existing computing devices may be coupled to or enclosed in the POS systems and the one or more processors of the computing device may execute merchant applications to provide the POS functionality. Described embodiments that use existing computing devices coupled to or enclosed in a POS system may provide functionalities to the merchant for

using the computing device at a fixed or mobile location, and allowing better interaction between the merchant and the customer.

[0022] These and other embodiments will be described in further detail below with respect to the following figures.

[0023] FIG. 1 is a detailed illustration of a POS system 100, consistent with some embodiments. As shown in FIG. 1, POS system 100 includes stand 102 and housing 104. In some embodiments, housing 104 may be mounted on or otherwise attached to stand 102. Stand 102 may include an arm 106 protruding from an approximate center area of stand 102. Arm 106 may have one or more pivotable joints (not shown) for moving housing 104 between one or more positions, angles, or orientations.

[0024] Stand 102 may also include a base 108. In some embodiments, base 108 may be part of stand 102, or an area of stand 102. In some embodiments, base 108 may be wide and long enough to be placed onto a surface and support housing 104. In some embodiments, base 108 may have a hole 110 in a center thereof wherein arm 106 may occupy the space of hole 110 when arm 106 is pivoted into a flat position. Arm 106 may be attached to base 108 via one or more connection points at the edge of hole 110. In some embodiments, arm 106 may be detachable from base 108 and stand 102 and may be mounted directly onto other surfaces.

[0025] Although not shown in FIG. 1, base 108 may be angularly rotatable in one or more directions in some embodiments. For example, base 108 may be cylindrical and extend from a first end of housing 104 to a second end of housing 104 while supporting housing 104 such that housing 104 is rotatable about the cylindrical base 108. As another example, base 108 may be rotatable in a plane parallel to base 108 such that housing 104 may be rotated from a first position to a second position opposite the first position, and other positions in between, in a “lazy susan” fashion.

[0026] Returning to FIG. 1, system 100 includes a computing device 112 having a screen. In some embodiments, computing device 112 may be a tablet computer, a smartphone, or phone-tablet combination (“phablet”), such as would be provided on a device running the iOS™ operating system, Android™ operating system, or Windows® operating system. The screen of computing device 112 may be a touch screen, such as a capacitive sensor touch screen. Computing device 112 may be removably enclosed in housing 104 such that computing device 112 may be removed from housing 104 and used as a mobile POS system. In some embodiments, housing 104 may be constructed based on a particular form factor, such as 10" tablets, 7" tablets, or 4.0"-4.5" smartphones, and the like. In some embodiments, housing 104 may be constructed to house different form factors in a same housing 104. Such embodiments may include adaptable spacers, other enclosure parts, which could be customized to fit a specific form factor, and connections for accommodating multiple form factors.

[0027] System 100 may also include a card reader 114 that may be coupled to housing 104. Card reader 114 may be a magnetic stripe reader and may be optionally attached to housing 104. Moreover, although card reader 114 is shown on one side of housing 104, card reader 114 may also be attached on other sides of housing 104, or may be separate and electrically connected to housing 104 and POS system 100. Card reader 114 may be integrated into housing 104 in some embodiments. System 100 may also include a mobile

card reader 116 that may be coupled to computing device 112 when computing device 112 is removed from housing 104.

[0028] In some embodiments, POS system 100 may have one or more apps or applications stored thereon that may be capable of facilitating transactions using computing device 112. For example, computing device 112 may include a scanning application, such as RedLaser, that may be capable of scanning or capturing an image of a code printed on a product and performing a lookup of the product based on the code to determine information about the product, such as a price of the product. Payment for the products may be performed at POS system 100 by swiping a card in card reader 114 or mobile card reader 116, or by using computing device 112 to authorize a payment using a payment processing service provider such as provided by PayPal, Inc. of San Jose, Calif.

[0029] FIGS. 2A-2F illustrate POS system 100 in different orientations, consistent with some embodiments. As shown in FIGS. 2A and 2B, POS system 100 may be oriented in a first orientation, wherein the first orientation is a merchant-facing orientation. In the first orientation, a merchant may be able to read graphics and text displayed on computing device 112 of POS system 100 and interact with the displayed graphics and text and on-screen functions. For example, a merchant may use one or more merchant or payment applications to create an invoice, bill of sale, or other payment due for a customer based on items that the customer is purchasing. When the customer is ready to complete the purchase, housing 104 of POS system 100 may be rotated, tilted, angled, or otherwise positioned such that computing device 112 is oriented in a second orientation, which may be a consumer-facing orientation, such as shown in FIGS. 2C and 2D. In some embodiments, housing 104 enclosing computing system 112 may be rotatable or pivotable on arm 106 coupled to base 108. Moreover, in some embodiments, orienting computer device 112 may be configured to display a custom customer user interface when oriented in a consumer-facing orientation. The customer may then be able to review the invoice or bill of sale, select payment options, swipe a payment card, enter credentials for a payment handled by a payment processing server, such as may be provided by PayPal, Inc. of San Jose, Calif., and/or digitally sign for a purchase.

[0030] As shown in FIGS. 2E and 2F, when POS system 100 is not in use or when moving POS system 100 or storing POS system 100, POS system 100 may be oriented in a third orientation, which is a flat orientation. In some embodiments, the flat orientation or position shown in FIGS. 2E and 2F may also allow a merchant and a customer to simultaneously review information displayed on computing device 112 of POS system 100, with a screen of computing device 112 facing upwards. Moreover, in some embodiments, a screen of computing device 112 may be rotated 180° such that a screen of computing device 112 is facing downwards to hide the screen when not in use and protect the screen of computing device 112 and to prevent theft of POS system 100. Although only three different orientations of housing 104 of POS system 100 are shown in FIGS. 2A-2F, other orientations are possible. Moreover, even though the orientations are described as being achieved by housing 104 pivoting or rotating on a pivotable or rotatable arm 106, other structures may be used to pivot or rotate housing 104

of POS system to the orientations shown in FIGS. 2A-2F, including structures described previously.

[0031] FIGS. 3A-3D are diagrams illustrating using POS system 100 as a mobile POS terminal by removing computing device 112, consistent with some embodiments. As shown in FIG. 3A, housing 104 of POS system 100 may enclose computing device 112. In some embodiments, housing 104 may be sealable and lockable. As shown in FIG. 3B, housing 104 may be opened to remove computing device 112. In some embodiments, housing 104 may have a side panel 302 that may be opened to remove computing device 112. In some embodiments, side panel 302 may be locked, and a key 304 may be required to open side panel 302 to remove computing device 112 to provide security for computing device 112. In some embodiments, side panel 302 may be locked by a digital locking mechanism instead of or in addition to a mechanical locking mechanism requiring key 304. For example, side panel 302 may be unlocked by entering a code or password or other security credential into computing device 112. As another example, side panel 302 may be unlocked by swiping an employee access card or similar through card reader 114 or another reader included in system 100.

[0032] As shown in FIG. 3C, after side panel 302 has been opened, card reader 114 can be detached from housing 104 and computing device 112. Computing device 112 may then be removed from housing 104. A user may then attach mobile card reader 116 to computing device 112. In some embodiments, housing 104 may have sufficient room such that mobile card reader 116 is attached even when computing device 112 is inside housing 104. In some embodiments, mobile card reader 116 may be a PayPal Here card reader provided by PayPal, Inc. of San Jose, Calif. As shown in FIG. 3D, a merchant or other user may then use computing device 112 with mobile card reader 116 to conduct transactions while being mobile.

[0033] FIG. 4 is an exploded view of POS system 100, consistent with some embodiments. As shown in FIG. 4, housing 104 includes an upper housing 402 and a lower housing 404. Lower housing 404 may include a printed circuit board (PCB) and other components 406 and components for the functions of POS system 100. Lower housing 404 may also include mounting points 408 to which stand 102 having base 108 may be attached. In some embodiments, arm 106 may be directly attached to mounting points 106. Upper housing 402 may include side panel 302 and card reader 114. Computing device 112 may sit within housing 104 between upper housing 402 and lower housing 404. When assembled, side panel 302 may be opened so that computing device 112 may be removed and mobile card reader 116 can be attached. Side panel 302 may include a locking mechanism in some embodiments.

[0034] FIG. 5 is a diagram illustrating PCB and components 406 of lower housing 404, consistent with some embodiments. As shown in FIG. 4, PCB and components 406 may include a power supply 502, one or more universal serial bus (USB) ports 504, one or more Apple® 30-pin connector or Lightning™ connectors 506 and a near-field communications (NFC) module 508. PCB and components 406 may also include a built-in wireless router or access point 510 for creating a wireless hotspot such that computing device 112 and other wireless-capable devices can wirelessly connect to router 510. PCB and components 406 may also include a Bluetooth low energy (BLE) beacon 512

for providing a low energy wireless connection to computing device 112 or other devices. In some embodiments, BLE beacon 512 may be used to automatically check customers in and/or process payments, such as is described in U.S. patent application Ser. No. 14/021,045, filed Sep. 9, 2013, the entire contents of which is hereby incorporated by reference in its entirety. Components 502-512 may be mounted on or otherwise coupled to PCB 406. As shown in FIG. 5, card reader 114 and a locking mechanism 514 may also be coupled to or mounted on PCB 406. Locking mechanism 514 may be a mechanical locking mechanism, or a digital locking mechanism, or a combination thereof.

[0035] FIG. 6 is a diagram illustrating POS system 100 having a register component 600, consistent with some embodiments. As shown in FIG. 6, stand 102 may sit on or otherwise be attached to register component 600. In some embodiments, as described previously, arm 106 may be detachable from base 108 and stand 102 and may be mounted or attached on other surfaces. Consequently, in some embodiments, arm 106 may be attached to register component 600. Register component 600 may include a removable cash till or drawer 602 having one or more bill collection slots and a cash collection area 604. Cash till or drawer 602 may also have a printer 606 for printing receipts. Register component 600 may include a receipt outlet 608 at an end thereof so that printer may print receipts out of register component 600 when cash till or drawer 602 is within register component 600. In some embodiments, a surface of receipt component 600 may include mountings 610 for mounting or otherwise attaching stand 102 or arm 106 to register component 600. Although not shown in FIG. 6, POS system may also be coupled to additional accessories as well, including a bar code or other code scanner, a scale, and the like. In some embodiments, printer 606 may be external to register component 600 and coupled wirelessly or by a wired coupling to POS system 100.

[0036] FIG. 7 is a diagram illustrating POS system 100 having chip and personal identification number (PIN) integration, consistent with some embodiments. As shown in FIG. 7, POS system 100 may have a “Chip & PIN” device 700 attached thereto. Chip and PIN device 700 may be coupled to POS system 100 either through a wire, such as shown in FIG. 7, or a wireless coupling. Chip and PIN device 700 may be detachably coupled to POS system. Chip and PIN device 700 may fully comply with EMV (Europay, Mastercard and Visa) standards, such as ISO/IEC 7816 and/or ISO/IEC 14443. For example, Chip and PIN device 700 may have a slot 702 for receiving a card having a chip, a small display 704 for entering a PIN, and a PIN pad 706 for entering the PIN. Display 704 may include a mask, hood, or may include other functionality for masking an entered PIN according to the Chip and PIN standards. In some embodiments, Chip and PIN device 700 may not include display 704. In some embodiments, Chip and PIN device may also include a magnetic stripe reader for accepting and reading cards that do not have a chip. Although FIG. 7 illustrates Chip and PIN device 700 being coupled to POS system 100 using a wire, Chip and PIN device 700 may include one or more wireless transceivers for wirelessly coupling to POS system 100.

[0037] FIG. 8 is a diagram illustrating POS system 100 having a secondary device 800, consistent with some embodiments. As shown in FIG. 8, secondary device 800 may be coupled to POS system 100 for use by a merchant

or buyer. Secondary device **800** may be a smartphone, tablet, and the like, and may be similar or the same as computing device **112**. In some embodiments, secondary device **800** may have a smaller form factor than computing device **112**. Secondary device **800** may be coupled to POS system **100** by a wired or wireless connection, and may provide a separate interface for use in a transaction. In some embodiments, a merchant may use POS system **100** to process a transaction and provide a customer or buyer with secondary device **800** to authorize the transaction, sign their name, or otherwise authorize the transaction. In some embodiments, secondary device **800** may include a housing **802** enclosing a secondary computer device **804**. In some embodiments, a card reader may be attached to housing **802** or secondary computer device **804** for processing card-based payments. In further embodiments, secondary device **800** may be integrated into POS system **100**, such as in stand **102** or register component **600**, such that a consumer-facing secondary computer device **804** may be removably included in POS system **100**.

[0038] FIG. 9 is a diagram illustrating POS system **100** mounted on a cart **900**, consistent with some embodiments. As shown in FIG. 9, POS system **100** may have housing **104** enclosing computing device **112** mounted on cart **900**, such as a shopping cart. In some embodiments, housing **104** may include a dock **902** for securing computing device **112** and providing an electrical and/or data coupling to computing device **112**. For example, dock **902** may be coupled to a power source or capable of storing a charge, such that computing device **112** may be charged when computing device **112** is connected to dock **902**. In some embodiments, dock **902** may provide a physical connection to a card reader **904**. In some embodiments, dock **902** may be an actual dock, such as described above but, in some embodiments, dock **902** may just be an area for holding computing device **112**, such that reader **904** may be coupled to computing device **112** by other means, such as a wireless connection.

[0039] In some embodiments, POS system **100** may allow a customer inside a store to scan and to pay for items by acting as a self-checkout system utilizing computing device **112**. In some embodiments, computing device **112** used in POS system shown in FIG. 9 may be a computing device **112** supplied by a customer. For example, computing device **112** may have one or more apps or applications stored thereon that may be capable of facilitating transactions using computing device **112**. For example, computing device **112** may include a scanning application, such as RedLaser, that may be capable of capturing an image of a code printed on a product and performing a lookup of the product based on the code to determine information about the product, such as a price of the product. In some embodiments, the customer or user may attach their computing device **112** to POS system **100**, and POS system **100** may allow a user to scan a product that they wish to purchase, and then confirm that they want to purchase the item. The user may then put the product into cart **900** and move on to the next product. Payment for the products may be performed at POS system **100** by swiping a card in card reader **904**, or by using computing device **112** to authorize a payment using a payment processing service provider such as provided by PayPal, Inc. of San Jose, Calif.

[0040] FIG. 10 is a block diagram of a networked system **1000**, consistent with some embodiments. System **1000** includes a computing device **112** and a remote server **1002** in communication over a network **1004**. Remote server **1002**

may be a payment processing service provider server that may be maintained by a payment processing service provider, such as PayPal, Inc. of San Jose, Calif. Remote server **1002** may be maintained by other service providers in different embodiments. Remote server **1002** may also be maintained by an entity with which sensitive credentials and information may be exchanged with computing system **112**. Remote server **1002** may be more generally a web site, an online content manager, a service provider, such as a bank, or other entity who provides content to a user requiring user authentication or login.

[0041] Network **1004**, in one embodiment, may be implemented as a single network or a combination of multiple networks. For example, in various embodiments, network **1004** may include the Internet and/or one or more intranets, landline networks, wireless networks, and/or other appropriate types of communication networks. In another example, the network may comprise a wireless telecommunications network (e.g., cellular phone network) adapted to communicate with other communication networks, such as the Internet.

[0042] Computing device **112**, in one embodiment, may be implemented using any appropriate combination of hardware and/or software configured for wired and/or wireless communication over network **1004**. In particular, computing device **112** may be a smartphone or tablet computer, such as described above. Consistent with some embodiments, computing device **112** may include any appropriate combination of hardware and/or software having one or more processors and capable of reading instructions stored on a tangible non-transitory machine-readable medium for execution by the one or more processors. Consistent with some embodiments, computing device **112** includes a machine-readable medium, such as a memory (not shown) that includes instructions for execution by one or more processors (not shown) for causing computing device **112** to perform specific tasks. For example, such instructions may include a payment application **1006** that may allow a merchant or customer use computing device **112** to authorize a payment. In some embodiments, payment application **1006** may be configured to interface with remote server **1002** over network **1004** to authorize payments processed by remote server **1002**.

[0043] Computing device **112** may also include one or more merchant applications **1008**. In some embodiments, merchant applications **1008** may be applications that allow a merchant or buyer to use computing device **112** in POS system **100**. Merchant applications **1008** may include any applications that allow a merchant or customer to, scan goods and/or services (collectively referred to as items or products) to create a bill of sale or invoice, and then pay for the items using payment application **1006** and/or a card reader, such as card reader **114**, mobile card reader **116**, or card reader **904**. Merchant applications **1008** may allow a merchant to accept various credit, gift, or debit cards, cash, or payment processing service providers, such as PayPal, Inc., of San Jose, Calif., such as may be provided by remote server **1002**, for payment for items.

[0044] Computing device **112** may include other applications **1010** as may be desired in one or more embodiments to provide additional features available. For example, applications **1010** may include interfaces and communication protocols that allow a merchant or customer receive and transmit information through network **1004** and to remote

server **1002** and other online sites. Applications **1010** may also include security applications for implementing client-side security features, programmatic client applications for interfacing with appropriate APIs over network **1004** or various other types of generally known programs and/or applications. Applications **1010** may include mobile applications downloaded and resident on computing device **112** that enables merchants and customers to access content through applications **1010**.

[0045] Remote server **1002**, according to some embodiments, may be maintained by an online payment provider or payment processing provider, which may provide processing for online financial and payment transactions on behalf of users including merchants and customers. Remote server **1002** may include at least transaction application **1012**, which may be configured to interact with merchant applications **1008** of computing device **112** over network **1004** to receive and process transactions. Remote server **1002** may also include an account database **1014** that includes account information **1016** for users having an account on remote server **1002**, such as a customer or merchant. In some embodiments, transaction application **1012** may store and retrieve financial information in account information **1016** of account database **1014**. Remote server **1002** may include other applications **1018**, such as may be provided for authenticating users to remote server **1002**, for performing financial transactions, and for processing payments. Remote server **1002** may also be in communication with one or more external databases **1020**, that may provide additional information that may be used by remote server **1002**. In some embodiments, databases **1020** may be databases maintained by third parties, and may include third party financial information of merchants and customers.

[0046] Although discussion has been made of applications and applications on computing device **112** and remote server **1002**, the applications may also be, in some embodiments, modules. Module, as used herein, may refer to a software module that performs a function when executed by one or more processors or Application Specific Integrated Circuit (ASIC) or other circuit having memory and at least one processor for executing instructions to perform a function, such as the functions described as being performed by the described applications.

[0047] FIG. **11** is a diagram illustrating computing system **1100**, which may correspond to either of client computing device **102** or remote server **104**, consistent with some embodiments. Computing system **1100** may be a mobile device such as a smartphone, a tablet computer, and the like as would be consistent with computing device **112**. Further, computing system **1100** may also be a server or one server amongst a plurality of servers, as would be consistent with remote server **104**. As shown in FIG. **11**, computing system **1100** includes a network interface component (NIC) **1102** configured for communication with a network such as network **1006** shown in FIG. **10**. Consistent with some embodiments, NIC **1102** includes a wireless communication component, such as a wireless broadband component, a wireless satellite component, or various other types of wireless communication components including radio frequency (RF), microwave frequency (MWF), and/or infrared (IR) components configured for communication with network **1006**. Consistent with other embodiments, NIC **1102** may be configured to interface with a coaxial cable, a fiber optic cable, a digital subscriber line (DSL) modem, a public

switched telephone network (PSTN) modem, an Ethernet device, and/or various other types of wired and/or wireless network communication devices adapted for communication with network **1006**.

[0048] Consistent with some embodiments, computing system **1100** includes a system bus **1104** for interconnecting various components within computing system **1100** and communicating information between the various components. Such components include a processing component **1106**, which may be one or more processors, micro-controllers, graphics processing units (GPUs) or digital signal processors (DSPs), and a memory component **1108**, which may correspond to a random access memory (RAM), an internal memory component, a read-only memory (ROM), or an external or static optical, magnetic, or solid-state memory. Consistent with some embodiments, computing system **1100** further includes a display component **1110** for displaying information to a user of computing system **1100**. Display component **1110** may be a liquid crystal display (LCD) screen, an organic light emitting diode (OLED) screen (including active matrix AMOLED screens), an LED screen, a plasma display, or a cathode ray tube (CRT) display. Computing system **1100** may also include an input component **1112**, allowing for a user of computing system **1100**, to input information to computing system **1100**. Such information could include payment information such as an amount required to complete a transaction, account information, authentication information such as a credential, or identification information. An input component **1112** may include, for example, a keyboard or key pad, whether physical or virtual. Computing system **1100** may further include a navigation control component **1114**, configured to allow a user to navigate along display component **1110**. Consistent with some embodiments, navigation control component **1114** may be a mouse, a trackball, or other such device. Moreover, if device **1100** includes a touch screen, display component **1110**, input component **1112**, and navigation control **1114** may be a single integrated component, such as a capacitive sensor-based touch screen.

[0049] Computing system **1100** may further include a location component **1116** for determining a location of computing system **1100**. In some embodiments, location component **1116** may correspond to a GPS transceiver that is in communication with one or more GPS satellites. In other embodiments, location component **1116** may be configured to determine a location of computing system **1100** by using an internet protocol (IP) address lookup, or by triangulating a position based on nearby telecommunications towers, wireless access points (WAPs), or BLE beacons. Location component **1116** may be further configured to store a user-defined location in memory component **1108** that can be transmitted to a third party for the purpose of identifying a location of computing system **1100**. Computing system **1100** may also include sensor components **1118**. Sensor components **1118** provide sensor functionality, and may correspond to sensors built into, for example, computing device **112** or sensor peripherals coupled to computing device **112**. Sensor components **1118** may include any sensory device that captures information related to computing device **112** or a merchant or customer using computing device **112** and any actions performed using computing device **112**. Sensor components **1118** may include camera and imaging components, accelerometers, biometric readers, GPS devices, motion capture devices, and other devices.

Computing system **1100** may also include one or more wireless transceivers **1120** that may each include an antenna that is separable or integral and is capable of transmitting and receiving information according to one or more wireless network protocols, such as Wi-Fi™, 3G, 4G, HSDPA, LTE, RF, NFC, IEEE 802.11a, b, g, n, ac, or ad, Bluetooth®, BLE, WiMAX, ZigBee®, etc. With respect to computing device **112**, wireless transceiver **1120** may include BLE beacon **512**, NFC module **508**, and Wi-Fi router **510** shown in FIG. 5.

[0050] Computing system **1100** may perform specific operations by processing component **1106** executing one or more sequences of instructions contained memory component **1108**. In other embodiments, hard-wired circuitry may be used in place of or in combination with software instructions to implement the present disclosure. Logic may be encoded in a computer readable medium, which may refer to any medium that participates in providing instructions to processing component **1106** for execution, including memory component **1108**. Consistent with some embodiments, the computer readable medium is tangible and non-transitory. In various implementations, non-volatile media include optical or magnetic disks, volatile media includes dynamic memory, and transmission media includes coaxial cables, copper wire, and fiber optics, including wires that comprise system bus **1104**. According to some embodiments, transmission media may take the form of acoustic or light waves, such as those generated during radio wave and infrared data communications. Some common forms of computer readable media include, for example, floppy disk, flexible disk, hard disk, magnetic tape, any other magnetic medium, CD-ROM, any other optical medium, punch cards, paper tape, any other physical medium with patterns of holes, RAM, PROM, EPROM, FLASH-EPROM, any other memory chip or cartridge, carrier wave, or any other medium from which a computer is adapted to read.

[0051] In various embodiments of the present disclosure, execution of instruction sequences to practice the present disclosure may be performed by computing system **1100**. In various other embodiments of the present disclosure, a plurality of computing systems **1100** coupled by a communication link **1122** to network **1006** (e.g., such as a LAN, WLAN, PTSN, and/or various other wired or wireless networks, including telecommunications, mobile, and cellular phone networks) may perform instruction sequences to practice the present disclosure in coordination with one another. Computing system **1100** may transmit and receive messages, data and one or more data packets, information and instructions, including one or more programs (i.e., application code) through communication link **1122** and network interface component **1102** and/or wireless transceiver **1120**. Received program code may be executed by processing component **1106** as received and/or stored in memory component **1108**.

[0052] Computing system **1100** may include more or less components than shown in FIG. 11 according to some embodiments. For example, if computing system **1100** corresponds to computing device **112**, such as shown in FIG. 5 and not specifically referred to in FIG. 11. Moreover, components shown in FIG. 11 may be directly coupled to one or more other components in FIG. 11, eliminating a need for system bus **1104**. Furthermore, components shown in FIG. 11 may be shown as being part of a unitary system **1100**, but may also be part of a distributed system where the compo-

nents are separate but coupled and in communication. In general, the components shown in FIG. 11 are shown as examples of components in a computing system **1100** capable of performing embodiments disclosed herein. However, a processing system **1100** may have more or fewer components and still be capable of performing some embodiments disclosed herein.

[0053] Software, in accordance with the present disclosure, such as program code and/or data, may be stored on one or more machine-readable mediums, including non-transitory machine-readable medium. It is also contemplated that software identified herein may be implemented using one or more general purpose or specific purpose computers and/or computer systems, networked and/or otherwise. Where applicable, the ordering of various steps described herein may be changed, combined into composite steps, and/or separated into sub-steps to provide features described herein.

[0054] Consequently, embodiments as described herein may provide POS systems with additional functionalities and form factors, and provide a convenient bridge between traditional stationary POS systems and mobile POS systems. The examples provided above are exemplary only and are not intended to be limiting. One skilled in the art may readily devise other systems consistent with the disclosed embodiments which are intended to be within the scope of this disclosure. As such, the application is limited only by the following claims.

We claim:

1. A portable point-of-sale system, comprising:
 - a stand;
 - an adjustable arm coupled to the stand; and
 - a housing coupled to the adjustable arm, the housing configured to removably enclose a computing device used to facilitate a financial transaction, and wherein the housing encloses the computing device using a locking mechanism.
2. The portable point-of-sale system of claim 1, wherein the adjustable arm is configured to adjust between a first stand position and a second position.
3. The portable point-of-sale system of claim 1, wherein the locking mechanism unlocks the computing device using a security credential.
4. The portable point-of-sale system of claim 1, wherein the housing includes at least one side panel, the computing device removable through the at least one side panel.
5. The portable point-of-sale system of claim 1, wherein the housing is coupled to the adjustable arm so that the housing is rotatable from a first position to a second position.
6. The portable point-of-sale system of claim 1, wherein the housing is configured to enclose the computing device having a touch-enabled display such that the touch-enabled display is accessible while in the housing.
7. The portable point-of-sale system of claim 1, further comprising:
 - a removable card reader coupled to the computing device, and wherein the removable card reader is coupled to the computing device when the housing encloses the computing device.
8. The portable point-of-sale system of claim 1, further comprising:
 - a wireless communication module coupled to the housing, wherein the wireless communication module is used to process the financial transaction with another device.

9. The portable point-of-sale system of claim 1, wherein the housing is mounted on a cart for user self-checkout.

10. The portable point-of-sale system of claim 9, wherein the computing device enclosed in the housing mounted on the cart includes a scanning application.

11. The portable point-of-sale system of claim 10, wherein the scanning application captures an image of a code printed on a product for purchasing and processing the financial transaction during the user self-checkout.

12. A portable point-of-sale system, comprising:

a stand;

an adjustable arm coupled to the stand; and

a housing coupled to the adjustable arm, the housing configured to removably enclose a computing device used to facilitate a financial transaction, and wherein the housing encloses the computing device using a locking mechanism that unlocks with a security credential.

13. The portable point-of-sale system of claim 12, wherein the housing includes at least one side panel, the computing device removable through the at least one side panel.

14. The portable point-of-sale system of claim 12, wherein the housing is coupled to the adjustable arm so that the housing is rotatable from a first position to a second position.

15. The portable point-of-sale system of claim 12, wherein the housing is configured to enclose the computing device having a touch-enabled display such that the touch-enabled display is accessible while in the housing.

16. The portable point-of-sale system of claim 12, further comprising:

a removable card reader coupled to the computing device, and wherein the removable card reader is coupled to the computing device when the housing encloses the computing device.

17. The portable point-of-sale system of claim 12, further comprising:

a wireless communication module coupled to the housing, wherein the wireless communication module is used to process the financial transaction with another device.

18. The portable point-of-sale system of claim 12, wherein the housing is mounted on a cart for user self-checkout.

19. The portable point-of-sale system of claim 18, wherein the computing device enclosed in the housing mounted on the cart includes a scanning application.

20. The portable point-of-sale system of claim 19, wherein the scanning application captures an image of a code printed on a product for purchasing and processing the financial transaction during the user self-checkout.

* * * * *