



US00D856459S

(12) **United States Design Patent**
Hamilton et al.

(10) **Patent No.:** **US D856,459 S**

(45) **Date of Patent:** **** Aug. 13, 2019**

(54) **HOLOGRAPHIC SIGHT DEVICE**

(71) Applicant: **Sheltered Wings, Inc.**, Middleton, WI (US)

(72) Inventors: **David M. Hamilton**, Mount Horeb, WI (US); **Michael Rosen**, Verona, WI (US)

(73) Assignee: **Sheltered Wings, Inc.**, Barneveld, WI (US)

(**) Term: **15 Years**

(21) Appl. No.: **29/631,174**

(22) Filed: **Dec. 28, 2017**

Related U.S. Application Data

(63) Continuation of application No. 29/571,924, filed on Jul. 22, 2016.

(51) **LOC (12) Cl.** **22-01**

(52) **U.S. Cl.**

USPC **D22/109**

(58) **Field of Classification Search**

USPC D22/108–111, 199; D16/130, 132, 133, D16/134, 330; 42/104, 105, 111–113, 42/116, 119, 120, 122, 124–129, 42/133–140, 141–148; 89/111–113; 33/227, 229; 359/359, 399, 744, 823
CPC ... F41G 1/16; F41G 1/06; F41G 1/065; F41G 1/08; F41G 1/10; F41G 1/12; F41G 1/14; F41G 1/30; F41G 1/32; F41G 1/38; F41G 1/40; F41G 1/42; F41G 1/44; F41G 1/46; F41G 1/383; F41G 1/387; F41G 1/393; F41G 3/00; F41G 3/005; F41G 3/02; F41G

(Continued)

(56) **References Cited**

U.S. PATENT DOCUMENTS

D332,792 S * 1/1993 Jorlov D16/132
D346,392 S * 4/1994 Tomita D16/132

(Continued)

OTHER PUBLICATIONS

Razor AMG UH-1 Red Dots, VortexOptics.com, [online], [site visited Jul. 20, 2018]. <URL: http://www.vortexoptics.com/category/razor_amg_uh-1_red_dot> (Year: 2018).*

(Continued)

Primary Examiner — T Chase Nelson

Assistant Examiner — Jonathan J. Han

(74) *Attorney, Agent, or Firm* — Husch Blackwell LLP

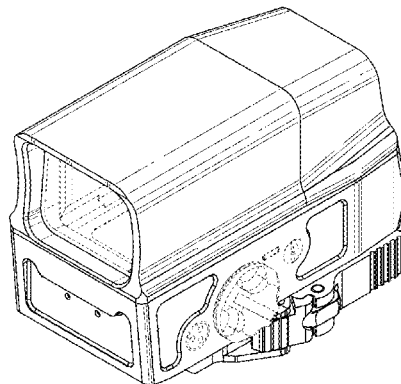
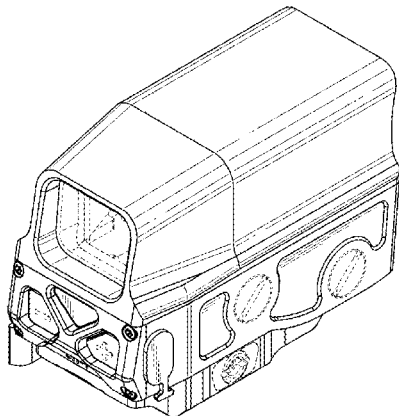
(57) **CLAIM**

The ornamental design for a holographic sight device, as shown and described.

DESCRIPTION

FIG. 1 is a rear perspective view of a first embodiment of a holographic sight device;
FIG. 2 is a front perspective view thereof;
FIG. 3 is a rear view thereof;
FIG. 4 is a top view thereof;
FIG. 5 is a right side view thereof;
FIG. 6 is a front view thereof;
FIG. 7 is a left side view thereof;
FIG. 8 is a bottom view thereof;
FIG. 9 is a rear perspective view of a second embodiment of a holographic sight device;
FIG. 10 is a front perspective view thereof;
FIG. 11 is a rear view thereof;
FIG. 12 is a top view thereof;
FIG. 13 is a right side view thereof;
FIG. 14 is a front view thereof;
FIG. 15 is a left side view thereof; and,
FIG. 16 is a bottom view thereof.
the broken lines in the figures are used to illustrate unclaimed portions of the invention and form no part of the claimed design.

1 Claim, 8 Drawing Sheets



- (58) **Field of Classification Search**
 CPC .. 3/04; F41G 3/06; F41G 3/14; F41G 11/002;
 F41G 11/003; F41G 11/004; F41G
 11/005; G02B 23/20
 See application file for complete search history.

(56) **References Cited**

U.S. PATENT DOCUMENTS

D349,510 S * 8/1994 Tomita D16/132
 D359,061 S * 6/1995 Omi D16/136
 D365,858 S * 1/1996 Tomita D16/132
 D378,936 S * 4/1997 DePaoli D22/109
 6,490,060 B1 * 12/2002 Tai G02B 5/32
 33/333
 6,807,742 B2 * 10/2004 Schick F41G 1/30
 33/297
 D515,118 S * 2/2006 Larsson D16/132
 7,145,703 B2 * 12/2006 Sieczka F41G 1/30
 359/15
 7,225,578 B2 * 6/2007 Tai F41G 1/30
 33/334
 D642,653 S * 8/2011 Riley D22/109
 D662,566 S * 6/2012 Estes D22/109
 D676,096 S * 2/2013 Gambino D22/109
 8,379,307 B2 * 2/2013 Thomas F41G 1/38
 359/399
 D704,296 S * 5/2014 Cheng D22/109
 D720,034 S * 12/2014 Cheng D22/109
 D730,477 S * 5/2015 Huynh D22/109
 D747,431 S * 1/2016 Cheng D22/109
 9,316,460 B2 * 4/2016 Cheng F41G 1/345
 D765,212 S * 8/2016 Cheng D22/109
 9,410,769 B1 * 8/2016 Zhang F41G 3/06
 9,500,442 B2 * 11/2016 Collin G03H 1/0005
 RE46,226 E * 12/2016 Gambino D22/109
 D774,157 S * 12/2016 Koesler D22/109
 D778,390 S * 2/2017 Zhang D22/109
 D781,990 S * 3/2017 Cheng D22/109
 D784,480 S * 4/2017 Oz D22/109
 D787,627 S * 5/2017 Horton D22/109

D800,864 S * 10/2017 Hartley D22/109
 9,897,416 B2 * 2/2018 Zhang F41G 3/165
 D815,239 S * 4/2018 Cheng D22/109
 10,003,756 B2 * 6/2018 Masarik F41G 1/38
 10,012,474 B2 * 7/2018 Teetzel F41G 3/065
 2006/0164704 A1 7/2006 Sieczka
 2014/0305022 A1 10/2014 Chung
 2016/0102943 A1 4/2016 Teetzel

OTHER PUBLICATIONS

Vortex Razor AMG UH-1 Red Dot on the Range | SHOT 2017, TheFirearmBlog.com, Posted Jan. 16, 2017 in Optics by Aaron, [online], [site visited Jul. 20, 2018]. <URL: <https://www.thefirearmblog.com/blog/2017/01/16/vortex-razor-amg-uh-1-red-dot-range-shot-2017/>> (Year: 2017).*

Vortex Razor AMG UH-1 Initial Thoughts, AnipersHide.com, wjm308, Oct. 3, 2017, [online], [site visited Jul. 20, 2018]. <URL: <http://forum.snipershide.com/threads/vortex-razor-amg-uh-1-initial-thoughts.6662153/>> (Year: 2017).*

Leupold Carbine Optic (LCO), Leupold.com, [online], [site visited Jun. 9, 2017], URL: <https://www.leupold.com/hunting-shooting/scopes/lco/leupold-carbine-optic-lco/>.

Razor AMG UH-1 Red Dots, VortexOptics.com, [online], [site visited Jun. 9, 2017]. URL: http://www.vortexoptics.com/category/razor_amg_uh-1_red_dot.

Vortex Razor AMG UH-1 Holographic Sight, YouTube.com, Vortex Optics, Published on Jan. 13, 2017, [online], [site visited Jun. 9, 2017]. URL: <https://www.youtube.com/watch?v=ZjEp8V-WDsA>.

New Optic: Vortex Razor AMG UH-1 “Huey”, TheFirearmBlog.com, Posted Nov. 28, 2016 by Pete M., [online], [site visited Jun. 9, 2017]. URL: <http://www.thefirearmblog.com/blog/2016/11/28/vortex-razor-huey/>.

Truglo Tru-Brite Reflex Red Dot Sight Red and Green, 4-Pattern Reticle, MidwayUSA.com, [online], [site visited Jun. 9, 2017]. URL: <https://www.midwayusa.com/product/929725/truglo-tru-brite-reflex-red-dot-sight-red-and-green-4-pattern-reticle-25-moa-dot-5-moa-dot-25-moa-circle-dot-5-moa-circle-dot-with-integral-weaver-style-base-matte>.

* cited by examiner

Fig. 1

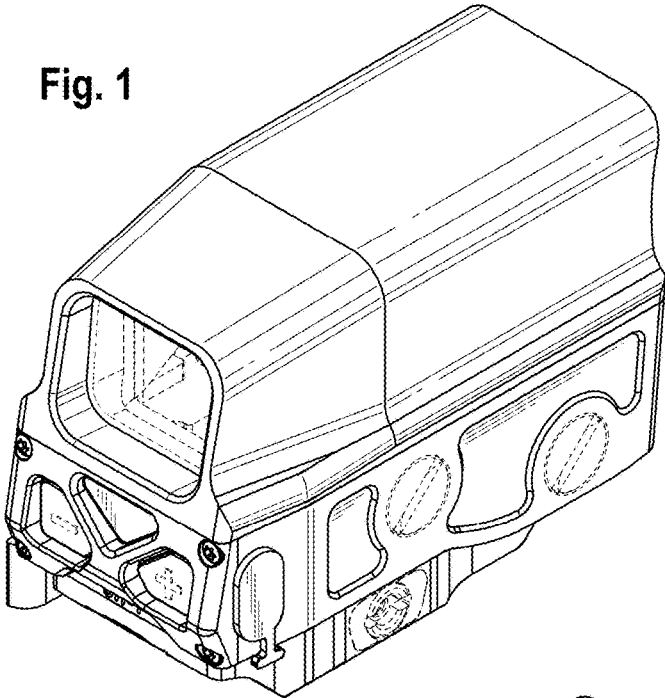


Fig. 2

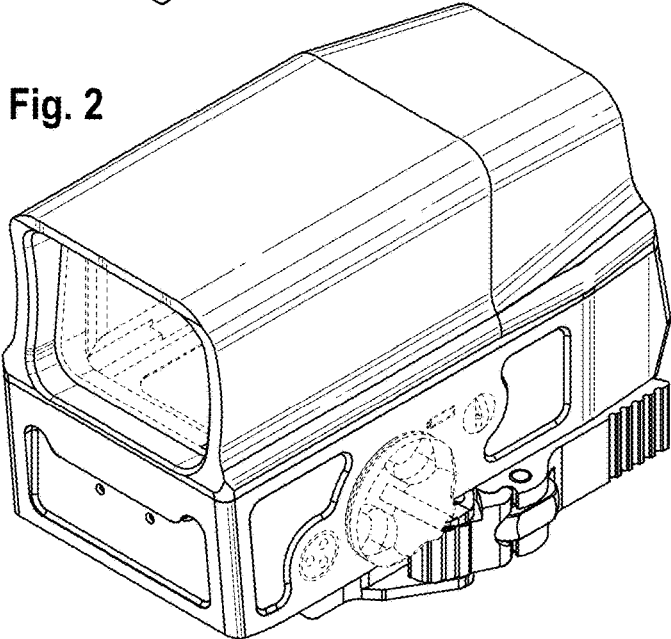


Fig. 3

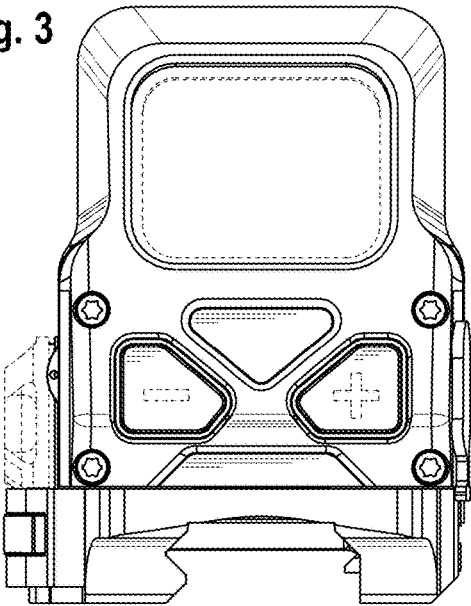


Fig. 4

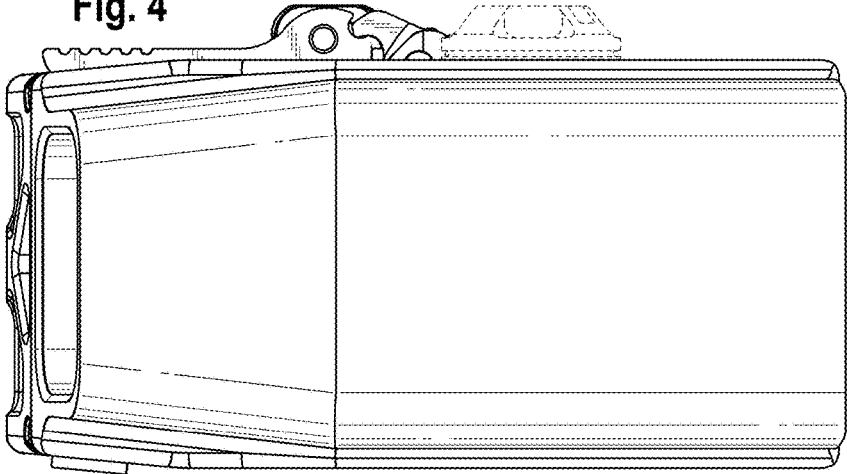


Fig. 5

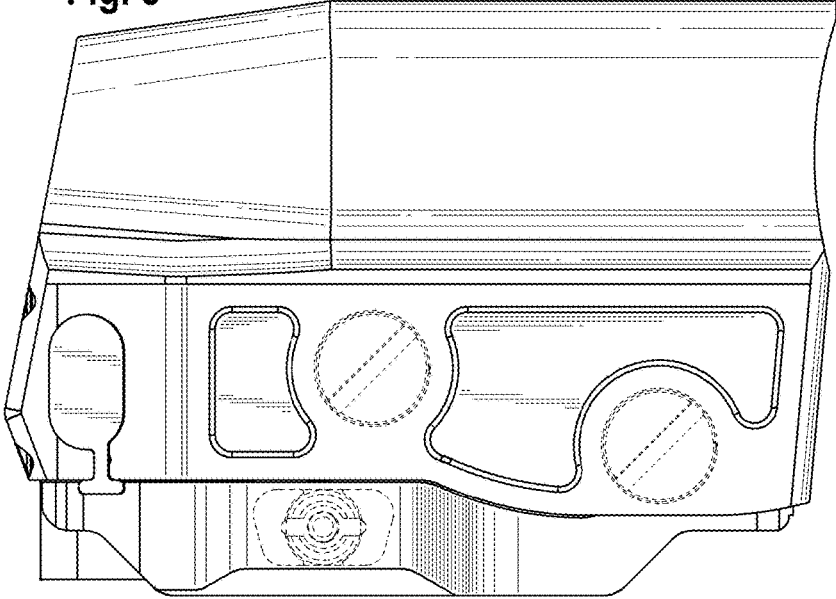


Fig. 6

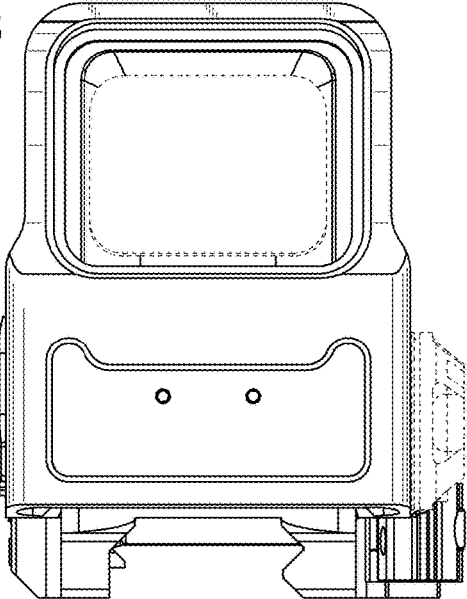


Fig. 7

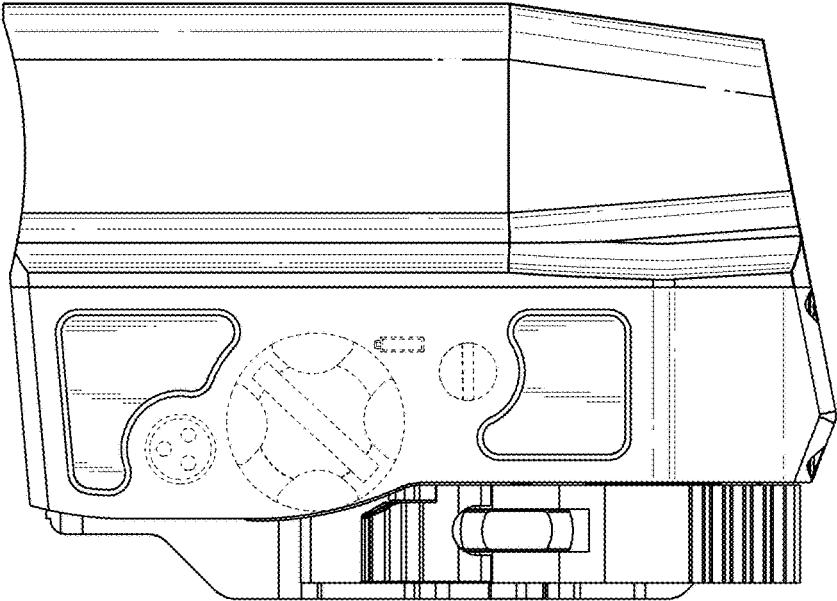


Fig. 8

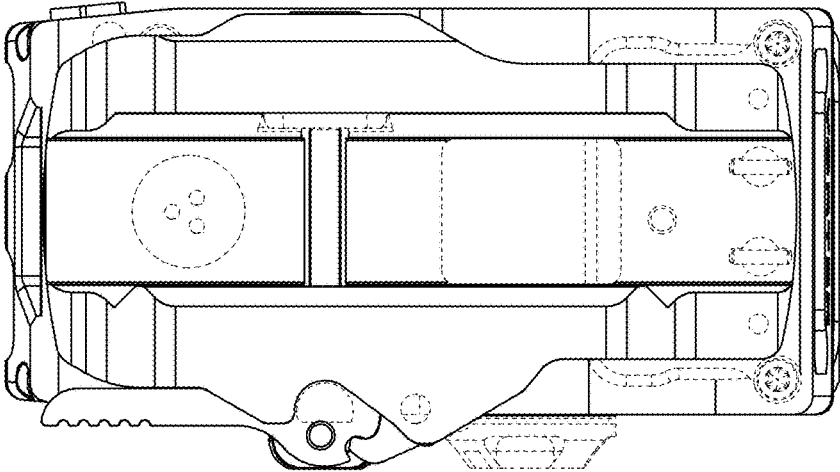


Fig. 9

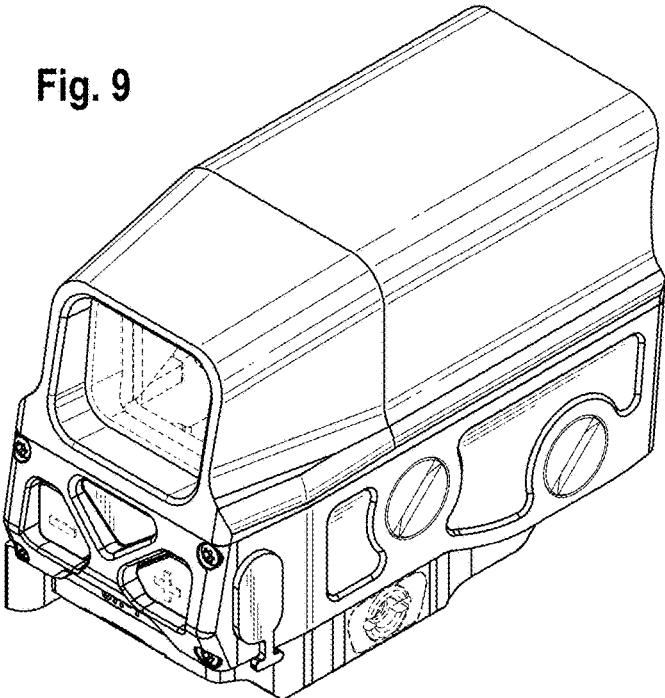


Fig. 10

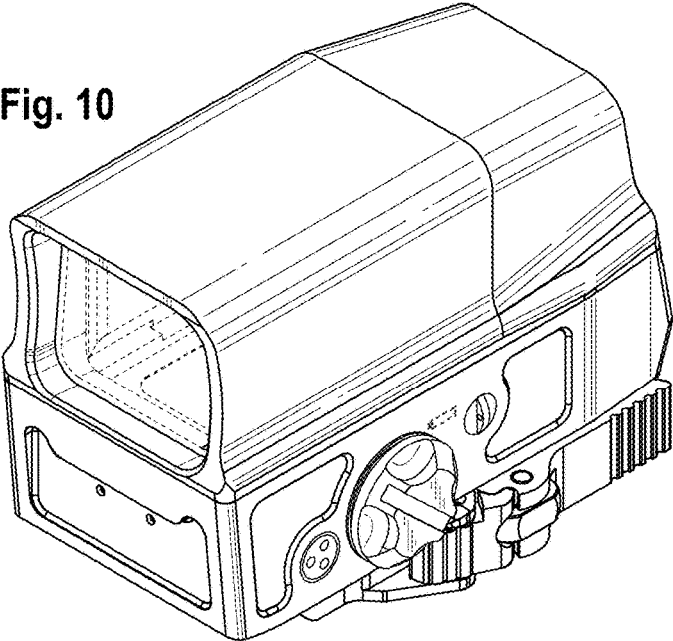


Fig. 11

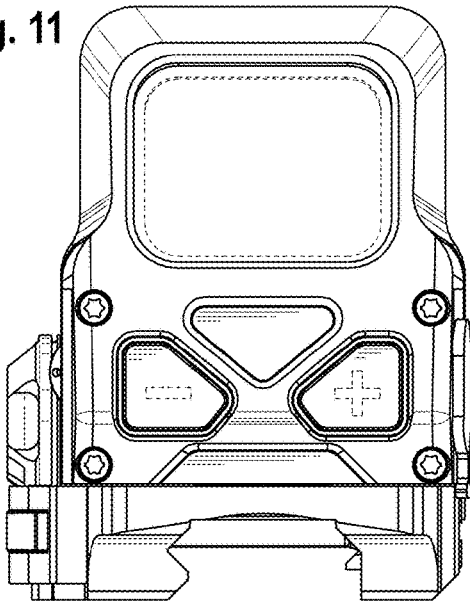


Fig. 12

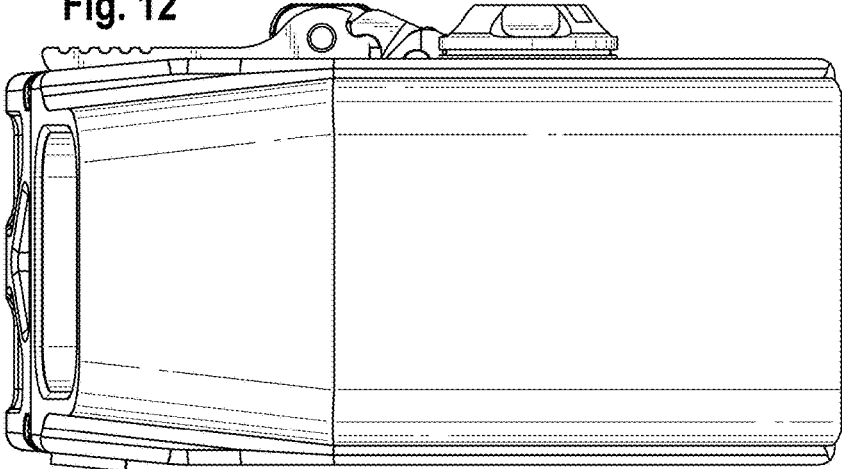


Fig. 13

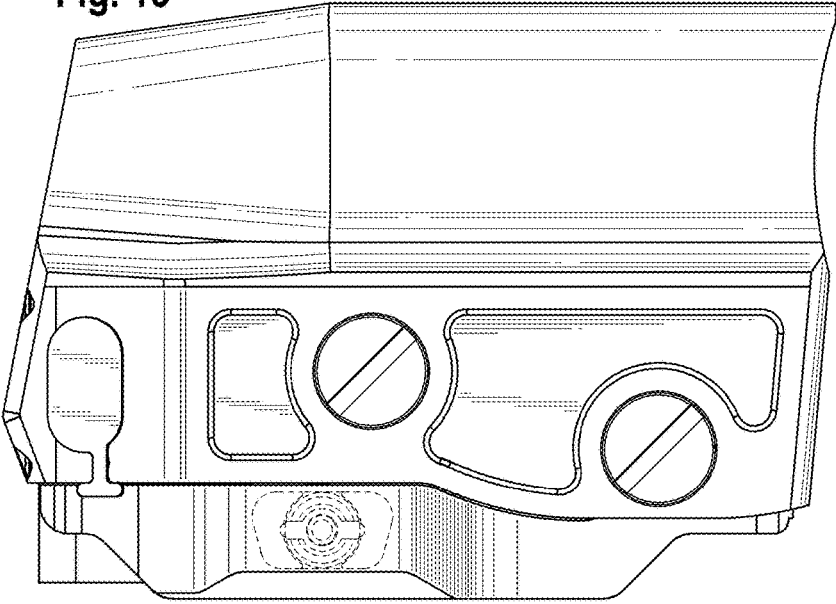


Fig. 14

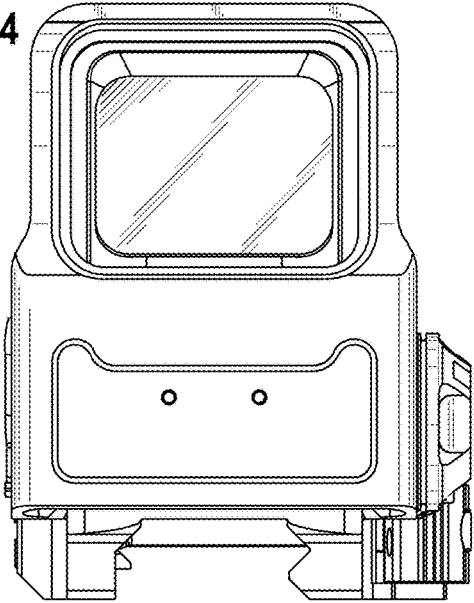


Fig. 15

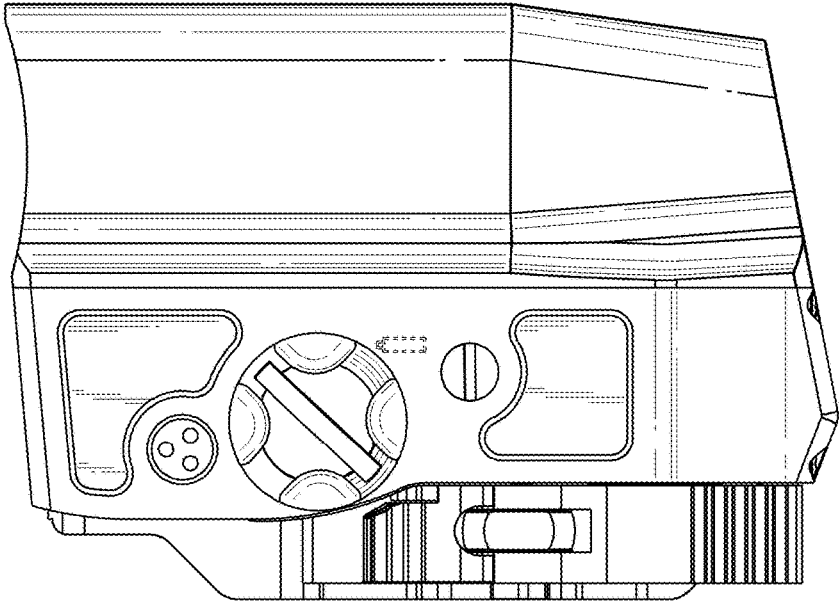


Fig. 16

