



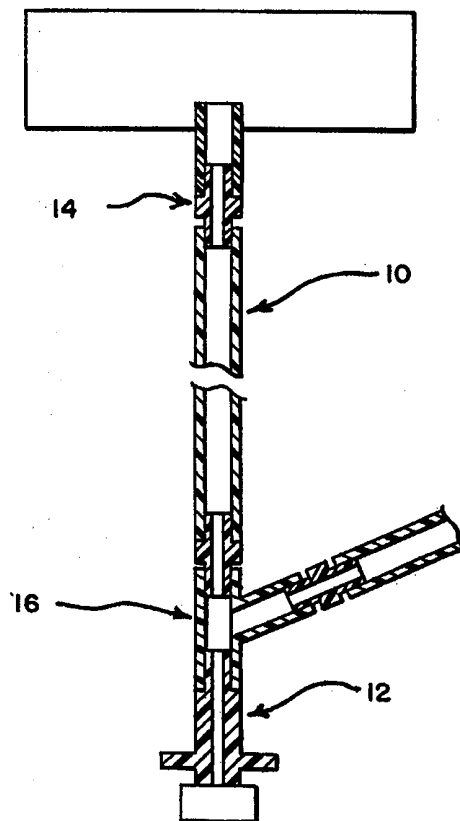
INTERNATIONAL APPLICATION PUBLISHED UNDER THE PATENT COOPERATION TREATY (PCT)

<p>(51) International Patent Classification⁶ : A61L 29/00</p>	A3	<p>(11) International Publication Number: WO 99/37338</p> <p>(43) International Publication Date: 29 July 1999 (29.07.99)</p>
<p>(21) International Application Number: PCT/US99/01442</p> <p>(22) International Filing Date: 25 January 1999 (25.01.99)</p> <p>(30) Priority Data: 09/014,217 27 January 1998 (27.01.98) US</p> <p>(71) Applicant: BAXTER INTERNATIONAL INC. [US/US]; One Baxter Parkway, Deerfield, IL 60015 (US).</p> <p>(72) Inventors: WOO, Lecon; 1013 Shari Lane, Libertyville, IL 60048 (US). LING, Michael, T., K.; 1672 N. Cypress Pointe, Vernon Hills, IL 60061 (US). BALTEAU, Patrick; Rue Louis Burteau 60, B-5032 Botthey (BE). LO, Ying-Cheng; 225 Rox Run, Green Oaks, IL 60048 (US). WOJNAROWSKI, Robert; 3025 Bethel Boulevard, Zion, IL 60099 (US). SHAH, Ketan; 7589 Korbel Drive, Gurnee, IL 60031 (US). HENAUT, Eric, J.; Rue de la Samme 11, B-7181 Arquennes (BE). DING, Samuel; 302 Richmond Lane, Vernon Hills, IL 60061 (US). WESTPHAL, Stanley; 606 Ivorene Court #1B, Carpentersville, IL 60110 (US).</p> <p>(74) Agents: BORECKI, Thomas, S. et al.; Baxter Healthcare Corporation, One Baxter Parkway DF3-3E, Deerfield, IL 60015 (US).</p>		<p>(81) Designated States: AU, BR, CA, CN, ID, IN, JP, KR, MX, SG, European patent (AT, BE, CH, CY, DE, DK, ES, FI, FR, GB, GR, IE, IT, LU, MC, NL, PT, SE).</p> <p>Published <i>With international search report.</i></p> <p>(88) Date of publication of the international search report: 30 September 1999 (30.09.99)</p>

(54) Title: LOW MODULUS AND AUTOCLAVABLE MONOLAYER MEDICAL TUBING

(57) Abstract

A steam sterilizable monolayer medical tubing comprising a blend of a melt strength enhancing agent of a homopolymer or copolymer of polypropylene having a melt flow index of greater than 10 and in an amount of 1-10 % by weight and a second component selected from the group of (i) a selectively hydrogenated block copolymer of a vinyl aromatic hydrocarbon and a conjugated diene and (ii) a selectively hydrogenated block copolymer of a vinyl aromatic hydrocarbon and a conjugated diene to which has been grafted, an alpha, beta-olefinically unsaturated monocarboxylic or dicarboxylic acid reagent.



FOR THE PURPOSES OF INFORMATION ONLY

Codes used to identify States party to the PCT on the front pages of pamphlets publishing international applications under the PCT.

AL	Albania	ES	Spain	LS	Lesotho	SI	Slovenia
AM	Armenia	FI	Finland	LT	Lithuania	SK	Slovakia
AT	Austria	FR	France	LU	Luxembourg	SN	Senegal
AU	Australia	GA	Gabon	LV	Latvia	SZ	Swaziland
AZ	Azerbaijan	GB	United Kingdom	MC	Monaco	TD	Chad
BA	Bosnia and Herzegovina	GE	Georgia	MD	Republic of Moldova	TG	Togo
BB	Barbados	GH	Ghana	MG	Madagascar	TJ	Tajikistan
BE	Belgium	GN	Guinea	MK	The former Yugoslav Republic of Macedonia	TM	Turkmenistan
BF	Burkina Faso	GR	Greece			TR	Turkey
BG	Bulgaria	HU	Hungary	ML	Mali	TT	Trinidad and Tobago
BJ	Benin	IE	Ireland	MN	Mongolia	UA	Ukraine
BR	Brazil	IL	Israel	MR	Mauritania	UG	Uganda
BY	Belarus	IS	Iceland	MW	Malawi	US	United States of America
CA	Canada	IT	Italy	MX	Mexico	UZ	Uzbekistan
CF	Central African Republic	JP	Japan	NE	Niger	VN	Viet Nam
CG	Congo	KE	Kenya	NL	Netherlands	YU	Yugoslavia
CH	Switzerland	KG	Kyrgyzstan	NO	Norway	ZW	Zimbabwe
CI	Côte d'Ivoire	KP	Democratic People's Republic of Korea	NZ	New Zealand		
CM	Cameroon		Republic of Korea	PL	Poland		
CN	China	KR	Republic of Korea	PT	Portugal		
CU	Cuba	KZ	Kazakstan	RO	Romania		
CZ	Czech Republic	LC	Saint Lucia	RU	Russian Federation		
DE	Germany	LI	Liechtenstein	SD	Sudan		
DK	Denmark	LK	Sri Lanka	SE	Sweden		
EE	Estonia	LR	Liberia	SG	Singapore		

INTERNATIONAL SEARCH REPORT

International Application No
PCT/US 99/01442

A. CLASSIFICATION OF SUBJECT MATTER
IPC 6 A61L29/00

According to International Patent Classification (IPC) or to both national classification and IPC

B. FIELDS SEARCHED

Minimum documentation searched (classification system followed by classification symbols)
IPC 6 A61M A61L

Documentation searched other than minimum documentation to the extent that such documents are included in the fields searched

Electronic data base consulted during the international search (name of data base and, where practical, search terms used)

C. DOCUMENTS CONSIDERED TO BE RELEVANT

Category °	Citation of document, with indication, where appropriate, of the relevant passages	Relevant to claim No.
X	US 4 616 064 A (ZUKOSKY MIMZEE ET AL) 7 October 1986 (1986-10-07) abstract claims 1-3,5,7,9	1-9
X	US 4 511 354 A (STERLING ROBERT E) 16 April 1985 (1985-04-16) examples 1-9 claims 1-4	1-9
A	US 4 619 642 A (SPENCER DUDLEY W C) 28 October 1986 (1986-10-28) claims 1-4	10-15

Further documents are listed in the continuation of box C.

Patent family members are listed in annex.

° Special categories of cited documents :

- "A" document defining the general state of the art which is not considered to be of particular relevance
- "E" earlier document but published on or after the international filing date
- "L" document which may throw doubts on priority claim(s) or which is cited to establish the publication date of another citation or other special reason (as specified)
- "O" document referring to an oral disclosure, use, exhibition or other means
- "P" document published prior to the international filing date but later than the priority date claimed

- "T" later document published after the international filing date or priority date and not in conflict with the application but cited to understand the principle or theory underlying the invention
- "X" document of particular relevance; the claimed invention cannot be considered novel or cannot be considered to involve an inventive step when the document is taken alone
- "Y" document of particular relevance; the claimed invention cannot be considered to involve an inventive step when the document is combined with one or more other such documents, such combination being obvious to a person skilled in the art.
- "&" document member of the same patent family

Date of the actual completion of the international search

Date of mailing of the international search report

13 July 1999

21/07/1999

Name and mailing address of the ISA
European Patent Office, P.B. 5818 Patentlaan 2
NL - 2280 HV Rijswijk
Tel. (+31-70) 340-2040, Tx. 31 651 epo nl,
Fax: (+31-70) 340-3016

Authorized officer

Heck, G

INTERNATIONAL SEARCH REPORT

Information on patent family members

International Application No

PCT/US 99/01442

Patent document cited in search report	Publication date	Patent family member(s)	Publication date
US 4616064 A	07-10-1986	US 4525531 A	25-06-1985
		CA 1236617 A	10-05-1988
		DK 209984 A	27-10-1984
		EP 0127320 A	05-12-1984
		JP 59206466 A	22-11-1984
US 4511354 A	16-04-1985	US 4386179 A	31-05-1983
		US 4552914 A	12-11-1985
		DE 3146827 A	01-06-1983
		FR 2516928 A	27-05-1983
		GB 2108971 A, B	25-05-1983
		US 4481323 A	06-11-1984
US 4619642 A	28-10-1986	AT 65702 T	15-08-1991
		AU 590542 B	09-11-1989
		AU 5443886 A	18-09-1986
		CA 1271621 A	17-07-1990
		CA 1308620 A	13-10-1992
		DE 3680556 A	05-09-1991
		DK 111386 A	13-09-1986
		EP 0194873 A	17-09-1986
		GR 860686 A	11-07-1986
		IE 58423 B	22-09-1993
		JP 1653919 C	13-04-1992
		JP 3011234 B	15-02-1991
		JP 61222455 A	02-10-1986
PT 82183 A, B	01-04-1986		