



(12) **EUROPEAN PATENT APPLICATION**

(88) Date of publication A3:
02.08.2000 Bulletin 2000/31

(51) Int. Cl.⁷: **G03B 15/05**, G03B 17/00,
H05K 3/32

(43) Date of publication A2:
15.04.1998 Bulletin 1998/16

(21) Application number: **97117569.0**

(22) Date of filing: **10.10.1997**

(84) Designated Contracting States:
**AT BE CH DE DK ES FI FR GB GR IE IT LI LU MC
NL PT SE**
Designated Extension States:
AL LT LV RO SI

- **Aratame, Kazuhisa**
Hino-shi, Tokyo (JP)
- **Nakanishi, Hiromi**
Hino-shi, Tokyo (JP)
- **Fujita, Masami**
Hino-shi, Tokyo (JP)
- **Ono, Hideaki**
Nerima-ku, Tokyo (JP)
- **Kawano, Mamoru**
Nerima-ku, Tokyo (JP)
- **Mizoguchi, Shuri**
Hino-shi, Tokyo (JP)
- **Takaba, Tetsufumi**
Hino-shi, Tokyo (JP)

(30) Priority: **14.10.1996 JP 27054896**
30.01.1997 JP 1605097
14.02.1997 JP 3038197
25.02.1997 JP 4033297
25.02.1997 JP 4033597

(71) Applicant: **KONICA CORPORATION**
Tokyo (JP)

(74) Representative:
Gille Hrabal Struck Neidlein Prop Roos
Patentanwälte
Brucknerstrasse 20
40593 Düsseldorf (DE)

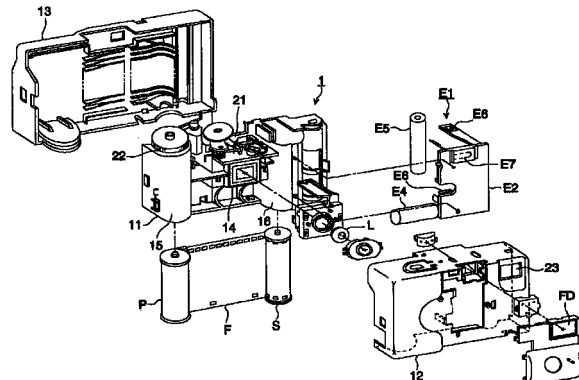
(72) Inventors:
• **Suzuki, Kijirou**
Hino-shi, Tokyo (JP)
• **Kaneiwa, Kei**
Hino-shi, Tokyo (JP)
• **Yamaguchi, Hiroshi**
Hino-shi, Tokyo (JP)

(54) **Lens-fitted film unit with electronic flash**

(57) A strobe circuit for use in a lens-fitted film unit is composed of a metallic thin plate punched in a circuit pattern; and insulating plate materials covering both obverse and reverse surfaces of the metallic thin plate;

wherein a part of the metallic thin plate is used as a component of the strobe circuit.

FIG. 2





European Patent
Office

EUROPEAN SEARCH REPORT

Application Number
EP 97 11 7569

DOCUMENTS CONSIDERED TO BE RELEVANT			
Category	Citation of document with indication, where appropriate, of relevant passages	Relevant to claim	CLASSIFICATION OF THE APPLICATION (Int.Cl.6)
X,P	PATENT ABSTRACTS OF JAPAN vol. 1997, no. 11, 28 November 1997 (1997-11-28) & JP 09 185105 A (WEST ELECTRIC CO LTD), 15 July 1997 (1997-07-15) * abstract * * figures 1-5 *	1-15	G03B15/05 G03B17/00 H05K3/32
Y	GB 1 529 668 A (AMP INC) 25 October 1978 (1978-10-25) * page 1, line 12 - line 33 * * page 2, line 23 - line 54 * * figures 1-4 *	1-7, 11-15	
Y	PATENT ABSTRACTS OF JAPAN vol. 018, no. 481 (P-1797), 7 September 1994 (1994-09-07) & JP 06 160945 A (FUJI PHOTO FILM CO LTD), 7 June 1994 (1994-06-07) * abstract * * figures 1-5 *	1-8, 11-15	
Y	US 4 600 971 A (ROSE WILLIAM H ET AL) 15 July 1986 (1986-07-15) * column 1, line 30 - column 2, line 68; figures 1-3,5,6 *	1-7, 11-15	H05K G03B
Y	GB 1 188 520 A (JOSEPH LUKAS LTD) 15 April 1970 (1970-04-15) * page 1, line 9 - line 25; figure 6 *	1-7, 11-15	
Y	US 4 950 173 A (KITA YOSHIKI ET AL) 21 August 1990 (1990-08-21) * figures 4A-4D *	13,14	
-/--			
The present search report has been drawn up for all claims			
Place of search MUNICH		Date of completion of the search 7 June 2000	Examiner Aratari, R
CATEGORY OF CITED DOCUMENTS X : particularly relevant if taken alone Y : particularly relevant if combined with another document of the same category A : technological background O : non-written disclosure P : intermediate document		T : theory or principle underlying the invention E : earlier patent document, but published on, or after the filing date D : document cited in the application L : document cited for other reasons & : member of the same patent family, corresponding document	

EPO FORM 1503 03 82 (P04C01)



European Patent
Office

EUROPEAN SEARCH REPORT

Application Number
EP 97 11 7569

DOCUMENTS CONSIDERED TO BE RELEVANT			
Category	Citation of document with indication, where appropriate, of relevant passages	Relevant to claim	CLASSIFICATION OF THE APPLICATION (Int.Cl.6)
Y	GB 1 426 629 A (KREB R;FINSTERHOELZL RAFI ELEKT) 3 March 1976 (1976-03-03) * page 1, line 27 - page 2, line 28; figures 1-4 *	1-8,11, 15	
			TECHNICAL FIELDS SEARCHED (Int.Cl.6)
The present search report has been drawn up for all claims			
Place of search MUNICH		Date of completion of the search 7 June 2000	Examiner Aratari, R
CATEGORY OF CITED DOCUMENTS X : particularly relevant if taken alone Y : particularly relevant if combined with another document of the same category A : technological background O : non-written disclosure P : intermediate document		T : theory or principle underlying the invention E : earlier patent document, but published on, or after the filing date D : document cited in the application L : document cited for other reasons & : member of the same patent family, corresponding document	

EPO FORM 1505 05.82 (P04G01)

**ANNEX TO THE EUROPEAN SEARCH REPORT
ON EUROPEAN PATENT APPLICATION NO.**

EP 97 11 7569

This annex lists the patent family members relating to the patent documents cited in the above-mentioned European search report. The members are as contained in the European Patent Office EDP file on
The European Patent Office is in no way liable for these particulars which are merely given for the purpose of information.

07-06-2000

Patent document cited in search report		Publication date	Patent family member(s)	Publication date
JP 09185105	A	15-07-1997	NONE	
GB 1529668	A	25-10-1978	FR 2344151 A AU 2215077 A BE 851622 A BR 7701348 A CA 1065975 A DE 2709520 A ES 455706 A IT 1084010 B JP 52107570 A NL 7701519 A SE 7702461 A	07-10-1977 17-08-1978 18-08-1977 18-10-1977 06-11-1979 15-09-1977 01-01-1978 25-05-1985 09-09-1977 12-09-1977 09-09-1977
JP 06160945	A	07-06-1994	JP 2862220 B	03-03-1999
US 4600971	A	15-07-1986	NONE	
GB 1188520	A	15-04-1970	DE 1616451 A FR 1548650 A	29-04-1971 06-12-1968
US 4950173	A	21-08-1990	JP 59230741 A CA 1203862 A DE 3480681 D EP 0130719 A	25-12-1984 29-04-1986 11-01-1990 09-01-1985
GB 1426629	A	03-03-1976	DE 2305883 A FR 2216750 A JP 50018977 A NL 7303597 A	15-08-1974 30-08-1974 27-02-1975 09-08-1974

EPO FORM P0458

For more details about this annex : see Official Journal of the European Patent Office, No. 12/82