



(12) **EUROPEAN PATENT APPLICATION**

(88) Date of publication A3:
07.04.2004 Bulletin 2004/15

(51) Int Cl.7: **B21C 47/32**, B21C 47/28,
B65H 75/28

(43) Date of publication A2:
02.01.2003 Bulletin 2003/01

(21) Application number: **02445084.3**

(22) Date of filing: **24.06.2002**

(84) Designated Contracting States:
**AT BE CH CY DE DK ES FI FR GB GR IE IT LI LU
MC NL PT SE TR**
Designated Extension States:
AL LT LV MK RO SI

(72) Inventor: **Wahlen, Bo**
82830 Edsbyn (SE)

(74) Representative:
Johansson Webjörn, Ingmar et al
L.A. Groth & Co KB Patentbyrå,
P.O. Box 6107
102 32 Stockholm (SE)

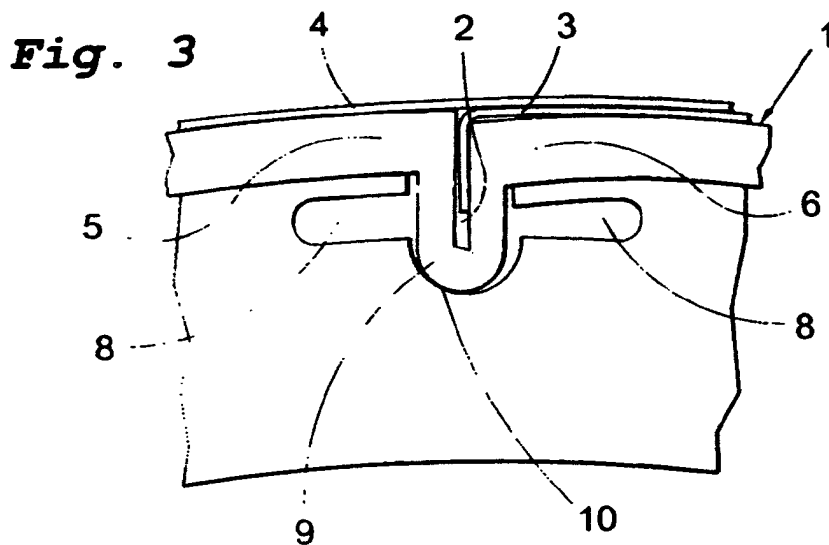
(30) Priority: **25.06.2001 SE 0102241**

(71) Applicant: **Kapman AB**
811 81 Sandviken (SE)

(54) **Bobbin for the winding of band material**

(57) The present invention relates to a bobbin for the winding of band material (3, 4), which bobbin comprises a surface (1) following the circumference on which surface (1) the band material (3, 4) is wound in the direction of circumference, and which comprises at least one essentially radial, transversal slot (2) in said surface (1)

following the circumference, which slot (2) is formed for the fixing of an end of said band material (3, 4) at the beginning of a winding. The bobbin is provided with at least one resilient portion (5, 6) along the circumference thereof and said slot (2) is arranged in said resilient portion (5, 6) of the bobbin.





European Patent Office

EUROPEAN SEARCH REPORT

Application Number
EP 02 44 5084

DOCUMENTS CONSIDERED TO BE RELEVANT			
Category	Citation of document with indication, where appropriate, of relevant passages	Relevant to claim	CLASSIFICATION OF THE APPLICATION (Int.Cl.7)
X	DE 35 03 786 A (PAHL GUMMI ASBEST) 7 August 1986 (1986-08-07) * page 5, line 19 - line 23 * * page 6, line 21 - line 27 * * page 11, line 21 - line 28; claim 1; figures *	1-3	B21C47/32 B21C47/28 B65H75/28
X	DE 44 10 308 A (SUNDWIGER EISEN MASCHINEN) 22 June 1995 (1995-06-22) * column 1, line 38 - line 48 * * column 2, line 8 - line 14 * * column 2, line 45 - line 56 * * column 3, line 53 - column 4, line 3; claims 1,2; figures *	1,4	
X	PATENT ABSTRACTS OF JAPAN vol. 1997, no. 05, 30 May 1997 (1997-05-30) & JP 9 010834 A (SUMITOMO METAL IND LTD), 14 January 1997 (1997-01-14) * abstract *	1	
X	US 5 785 272 A (HEQUET ROLAND N ET AL) 28 July 1998 (1998-07-28) * claim 1; figure 1 *	1	B21C B65H
X	US 3 593 938 A (WATT CRAIG B) 20 July 1971 (1971-07-20) * column 2, line 1 - line 2; figures 3,4 *	1,2	
A	PATENT ABSTRACTS OF JAPAN vol. 1999, no. 04, 30 April 1999 (1999-04-30) & JP 11 019723 A (KAWASAKI STEEL CORP), 26 January 1999 (1999-01-26) * abstract; figures 3-5 *	1,2	
The present search report has been drawn up for all claims			
Place of search The Hague		Date of completion of the search 12 February 2004	Examiner Barrow, J
CATEGORY OF CITED DOCUMENTS X : particularly relevant if taken alone Y : particularly relevant if combined with another document of the same category A : technological background O : non-written disclosure P : intermediate document		T : theory or principle underlying the invention E : earlier patent document, but published on, or after the filing date D : document cited in the application L : document cited for other reasons & : member of the same patent family, corresponding document	

EPO FORM 1503 03/82 (P04C01)

**ANNEX TO THE EUROPEAN SEARCH REPORT
ON EUROPEAN PATENT APPLICATION NO.**

EP 02 44 5084

This annex lists the patent family members relating to the patent documents cited in the above-mentioned European search report. The members are as contained in the European Patent Office EDP file on
The European Patent Office is in no way liable for these particulars which are merely given for the purpose of information.

12-02-2004

Patent document cited in search report		Publication date	Patent family member(s)	Publication date
DE 3503786	A	07-08-1986	DE 3503786 A1	07-08-1986
DE 4410308	A	22-06-1995	DE 4410308 A1	22-06-1995
JP 9010834	A	14-01-1997	NONE	
US 5785272	A	28-07-1998	NONE	
US 3593938	A	20-07-1971	NONE	
JP 11019723	A	26-01-1999	JP 3271746 B2	08-04-2002

EPO FORM P0459

For more details about this annex : see Official Journal of the European Patent Office, No. 12/82