



(19) **United States**

(12) **Patent Application Publication**
McCarty

(10) **Pub. No.: US 2021/0071883 A1**

(43) **Pub. Date: Mar. 11, 2021**

(54) **INTEGRATED CHILLED BEAM / CHILLER
DIRECT OUTSIDE AIR SYSTEM UNIT**

Publication Classification

(71) Applicant: **Daniel P. McCarty**, Edina, MN (US)

(72) Inventor: **Daniel P. McCarty**, Edina, MN (US)

(21) Appl. No.: **17/101,889**

(22) Filed: **Nov. 23, 2020**

(51) **Int. Cl.**
F24F 3/153 (2006.01)
F24F 5/00 (2006.01)
F24F 3/147 (2006.01)
F24F 3/14 (2006.01)
F24F 7/10 (2006.01)

(52) **U.S. Cl.**
 CPC *F24F 3/153* (2013.01); *F24F 5/0092*
 (2013.01); *F24F 3/147* (2013.01); *F24F*
2203/104 (2013.01); *F24F 7/10* (2013.01);
F24F 2203/1032 (2013.01); *F24F 3/1423*
 (2013.01)

Related U.S. Application Data

(63) Continuation-in-part of application No. 16/927,515, filed on Jul. 13, 2020, which is a continuation of application No. 15/829,910, filed on Dec. 2, 2017, now Pat. No. 10,712,026.

(60) Provisional application No. 62/429,804, filed on Dec. 3, 2016.

(57) **ABSTRACT**

An air handling system is disclosed that includes an integral chilled water refrigeration system. The air handling system additionally includes a first coil section that provides cooling and a second coil section that provides heating. The second coil section and associated terminal units are in fluid communication with the first refrigeration system.

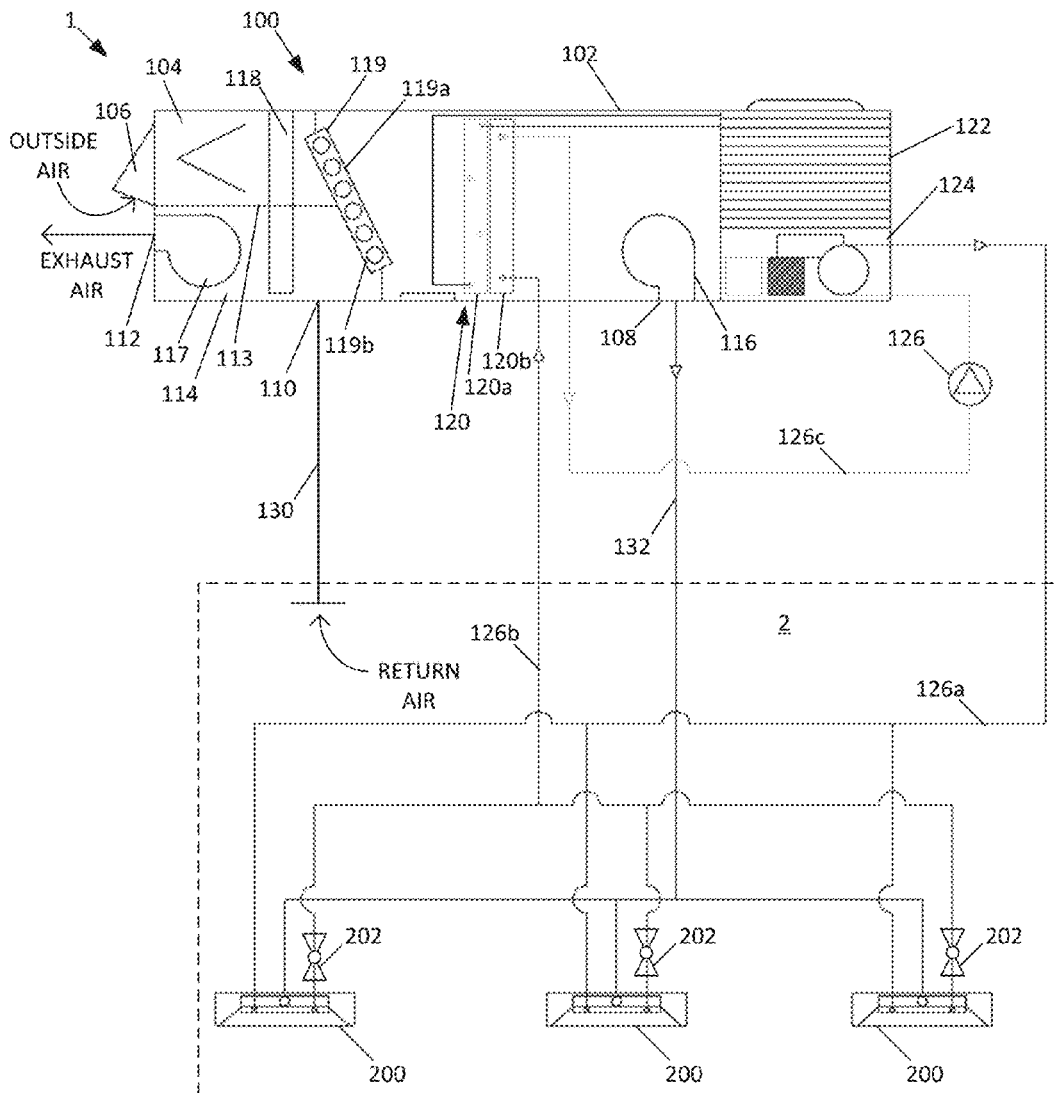


FIG. 1

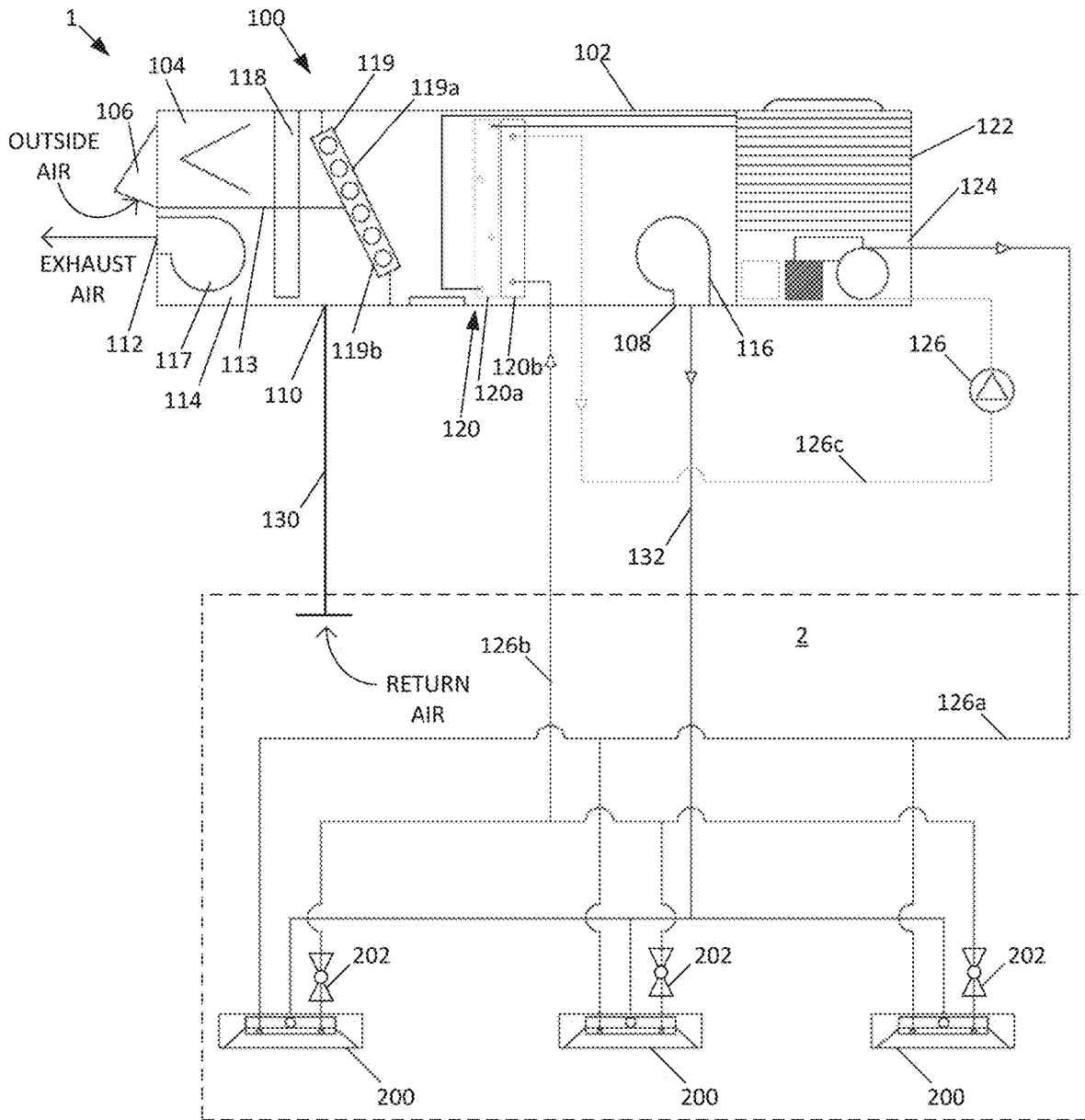


FIG. 2

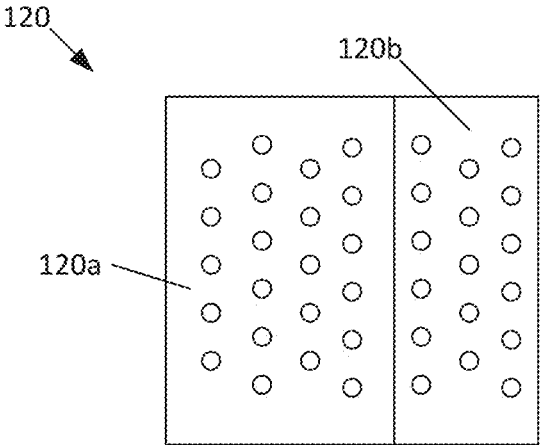


FIG. 3

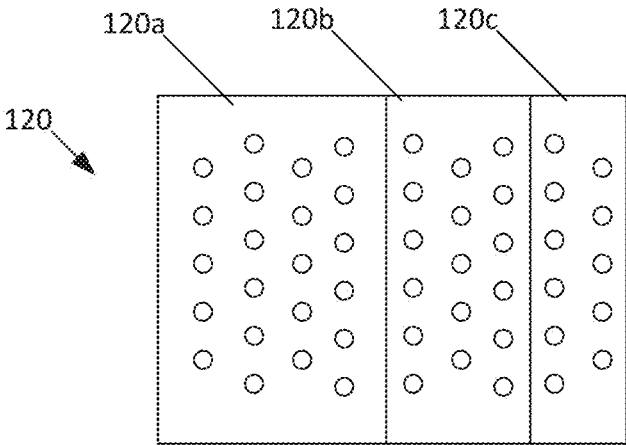


FIG. 4

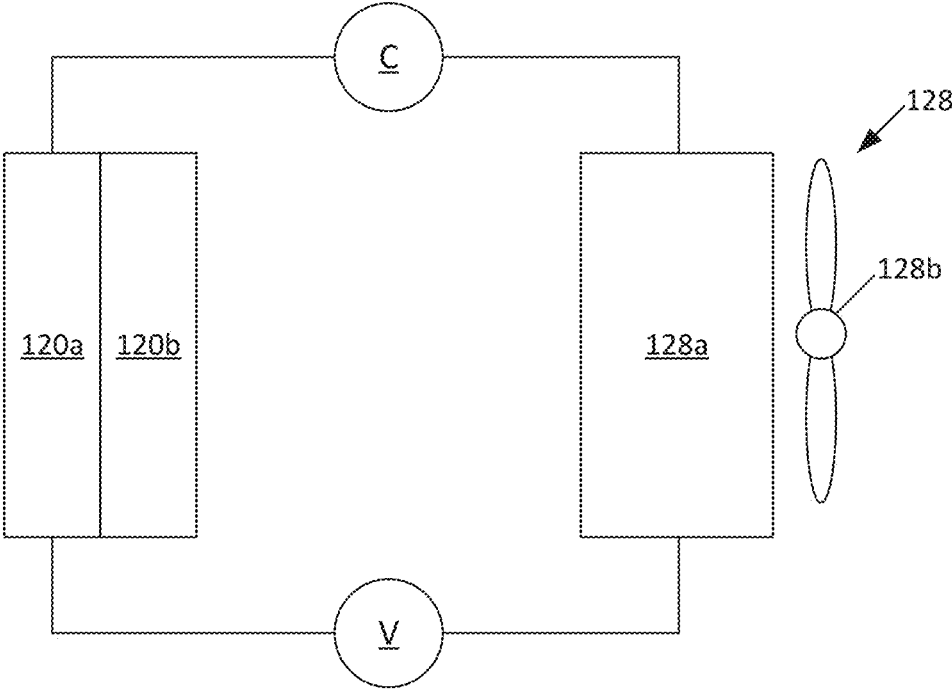


FIG. 5

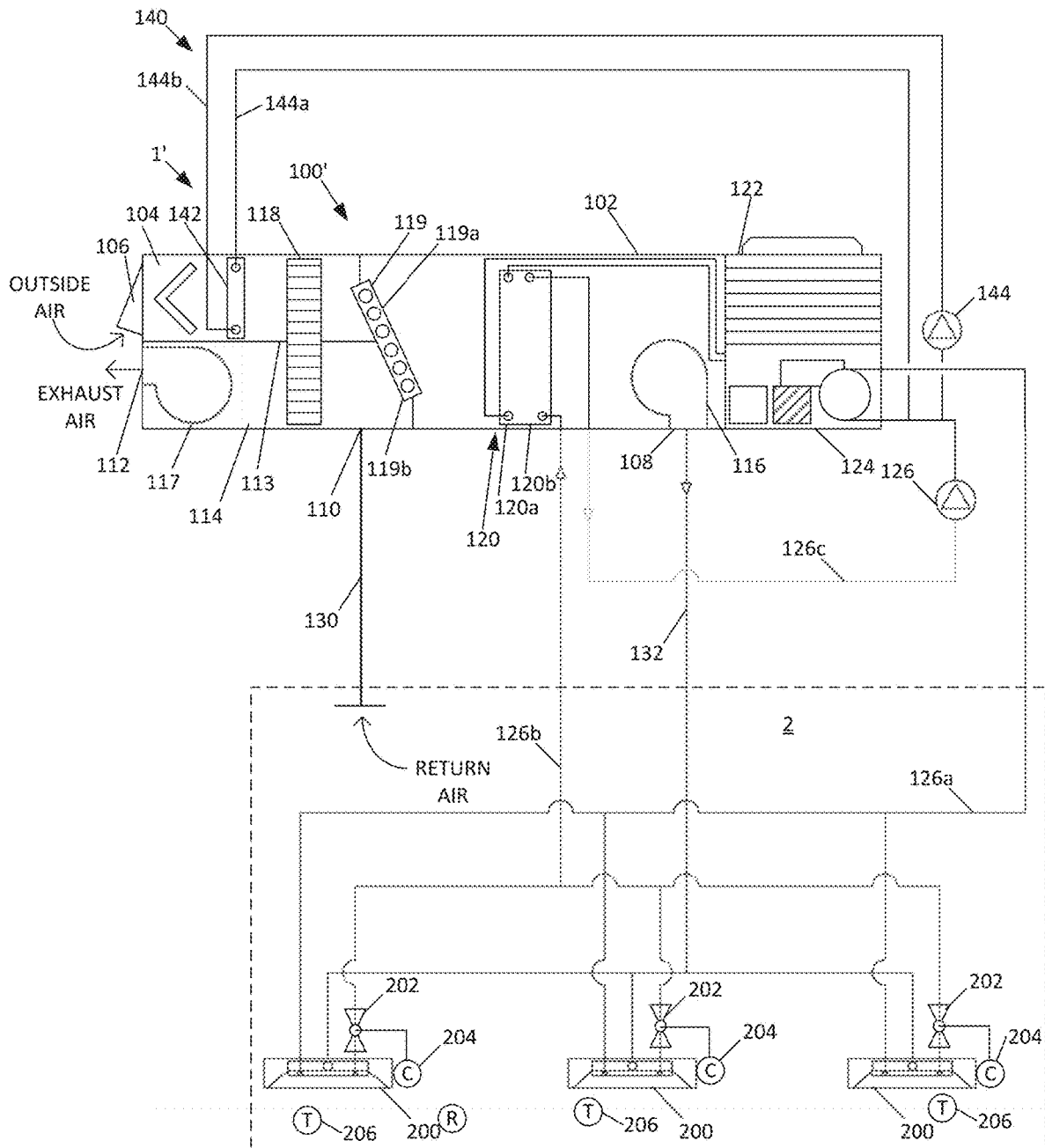


FIG. 6

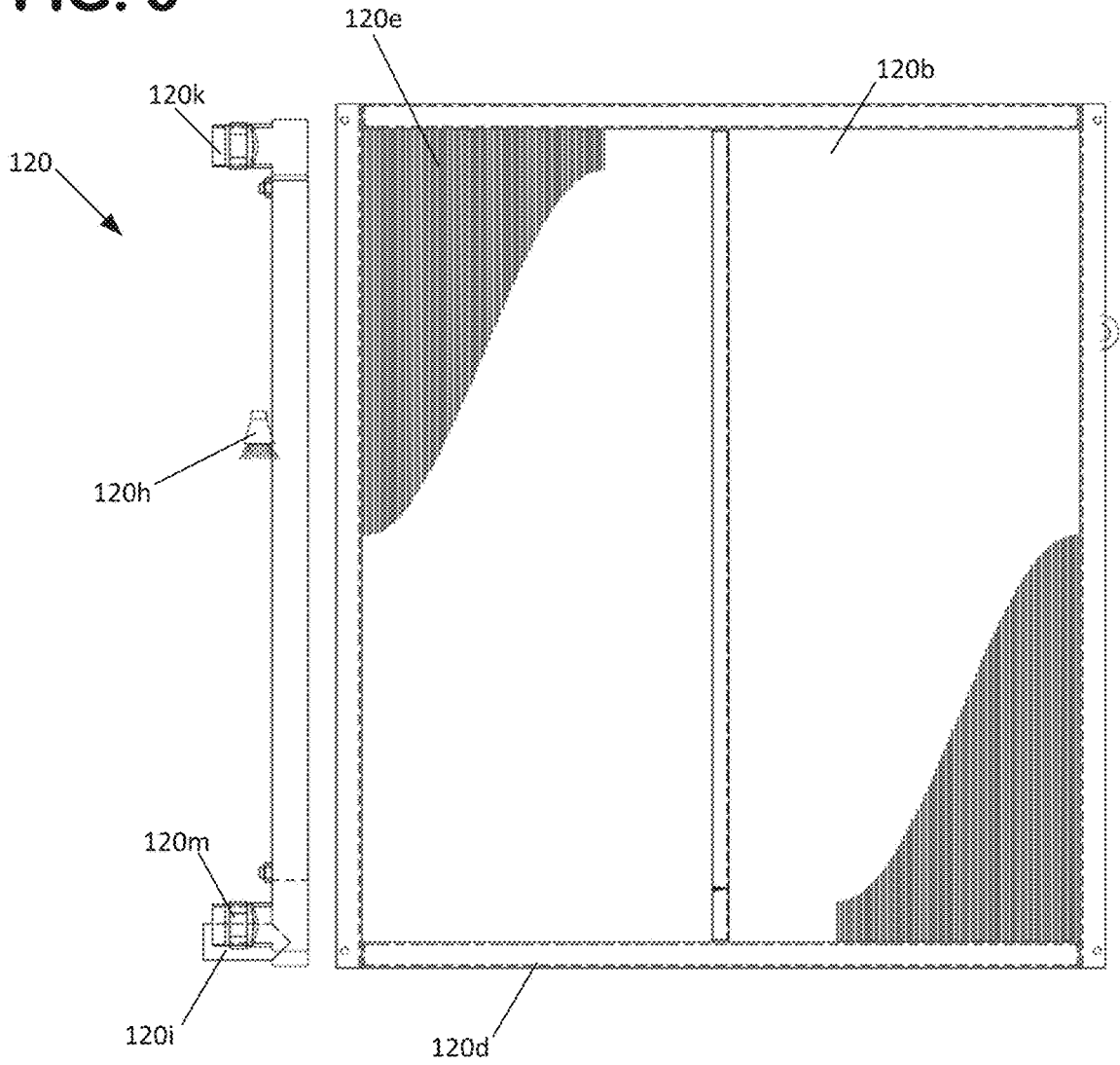


FIG. 7

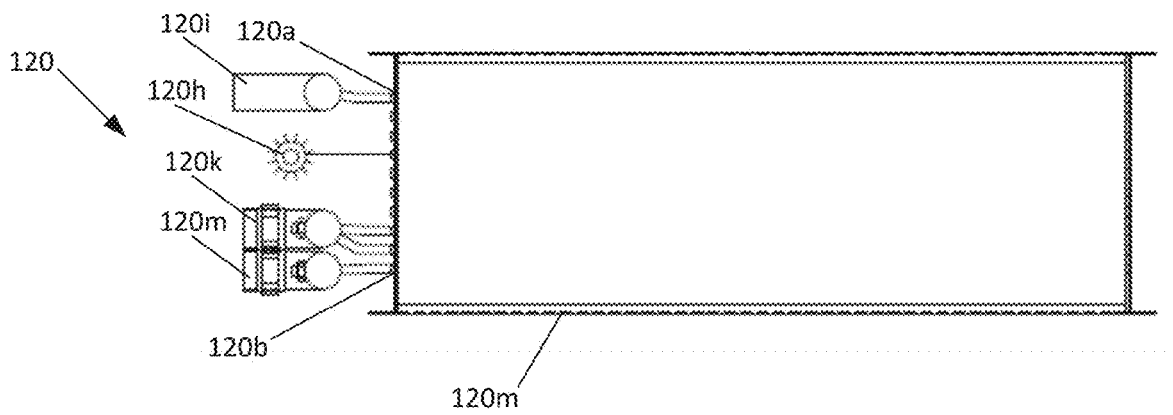


FIG. 8

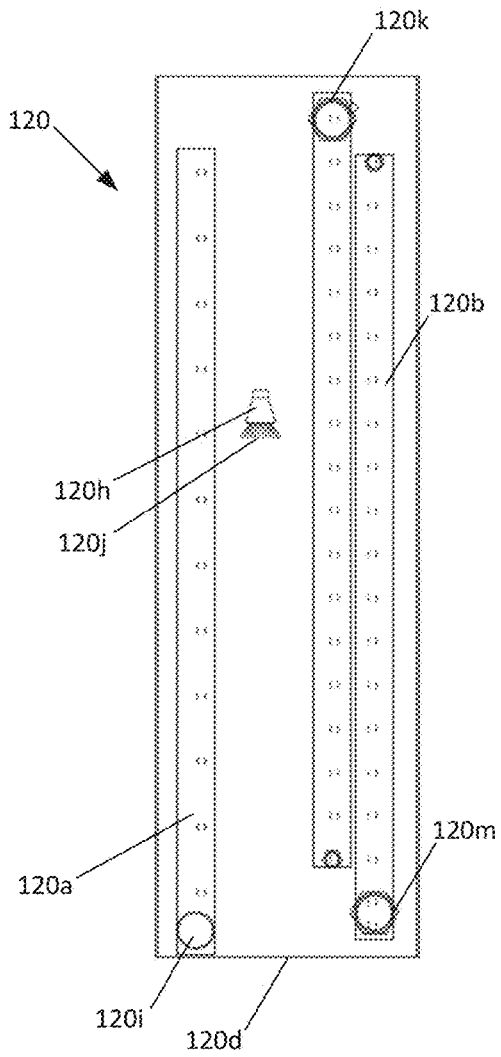
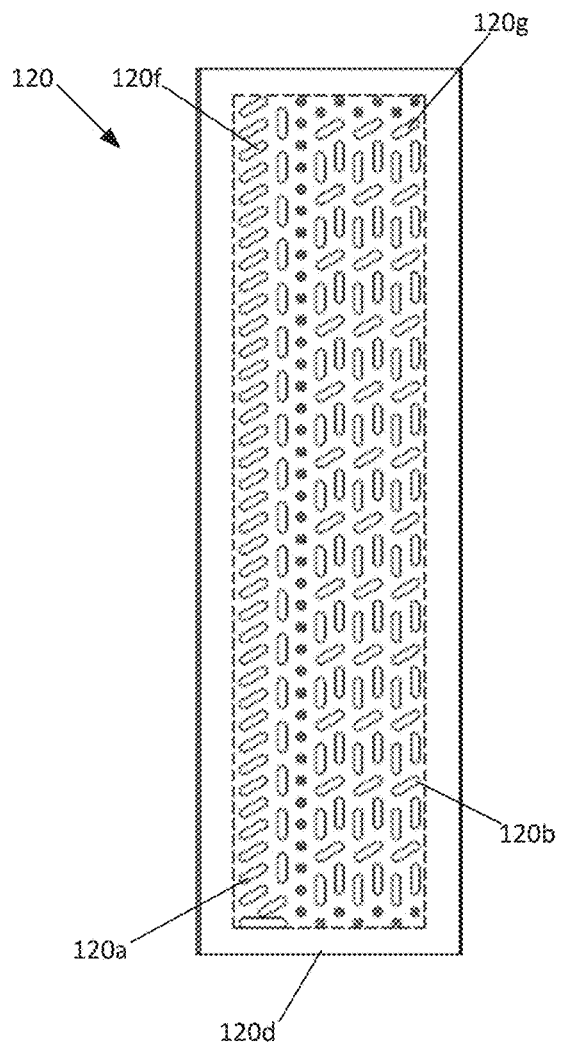


FIG. 9



INTEGRATED CHILLED BEAM / CHILLER DIRECT OUTSIDE AIR SYSTEM UNIT

RELATED APPLICATIONS

[0001] This application is a continuation in part of Ser. No. 16/297,515, filed on Jul. 13, 2020, which is a continuation of U.S. Ser. No. 15/829,910, filed Dec. 2, 2017, now issued as U.S. Pat. No. 10,712,026, which claims priority to U.S. Provisional Application Ser. No. 62/429,804, filed on Dec. 3, 2017. A claim of priority is made to each of the above referenced applications, to the extent appropriate. Each of the above referenced applications are incorporated herein by reference.

BACKGROUND

[0002] Systems for conditioning the air in an enclosed space, such as a building are known. Many systems require an air delivery system and chilled and heating water distributions systems. Typically, separate equipment components, such as air handling units, chillers, and boilers, are provided at various locations within the building.

SUMMARY

[0003] The present disclosure is directed to a system for conditioning the interior of a building space, for example classrooms and other spaces of a school building. In one aspect, the system includes an air handling system which includes fans for distributing air to and from the building spaces, a first refrigeration system for cooling and dehumidifying air delivered by the air handling system from the outdoors, and a second refrigeration system for reheating the air cooled by the first refrigeration system and for providing cooling to terminal units located within the interior spaces. The system also includes terminal units connected to the air handling unit and to the second refrigeration system such that the terminal units can deliver conditioned air to the space. In one example, the terminal units are induction/displacement terminal units capable of simultaneously providing a heated air flow and a separate cooled displacement air.

[0004] In one example, the first refrigeration system is a direct expansion type refrigeration system. In one example, the second refrigeration system is an air-cooled chiller. In one example, the air handling system includes a second fan located between a second air inlet and a second air outlet defining a second airflow path. In one example, the air handling system includes a heat exchanger extending between the first and second airflow paths. In one example, the heat exchanger is a passive desiccant enthalpy wheel.

[0005] In one example, an air conditioning system is provided including an air handling unit providing a supply airflow and including a first heat exchanger for cooling the supply airflow, a second heat exchanger for reheating the supply airflow cooled by the first heat exchanger, a first refrigeration system providing cooling to the first heat exchanger, and a second refrigeration system providing cooling to the second heat exchanger. The air conditioning system can also include a plurality of terminal units in fluid communication with the supply airflow generated by the air handling unit. The air conditioning system can also include a plurality of radiant panels, passive chilled beams, or active chilled beams in fluid communication with the second refrigeration system. The air conditioning system can also

include a pump circulating a working fluid from the second refrigeration system, to the radiant cooling panels or chilled beams, to the air handling unit second heat exchanger, and back to the second refrigeration system.

[0006] In one example, the first refrigeration system is a direct expansion type refrigeration system. In one example, the second refrigeration system is an air-cooled chiller. In one example, each terminal unit includes at least one of the plurality of radiant cooling panels or chilled beams.

[0007] In one example, the second working fluid is one of water, glycol, and a combination of water and glycol. In one example, the step of cooling the supply airflow with a fourth heat exchanger is performed prior to the step of cooling the supply airflow with the first heat exchanger. In one example, the step of cooling the supply airflow with the fourth heat exchanger includes transferring heat from a return airflow from the interior space to the supply airflow. In one example, the method includes a step of cooling the supply airflow with the fourth heat exchanger by passing the supply and return airflows through a passive desiccant enthalpy wheel. In one example, the first refrigeration system is a direct expansion type system and the second refrigeration system is an air cooled chiller. In one example, the step of cooling the one or more radiant cooling panels or chilled beams with the second working fluid includes delivering the second working fluid to the radiant cooling panels or chilled beams at a temperature that is equal to or above a measured dew point temperature of the interior space.

[0008] An air handling unit providing a supply airflow can include an enclosure defining a first airflow path extending between a first air inlet and a first air outlet and defining a second airflow path extending between a second air inlet and a second air outlet; a first fan located between the first air inlet and outlet; an air-to-air heat exchanger extending between the first and second airflow paths; a first coil section located in the first airflow path between the energy recovery wheel and the first air outlet, the first coil section being configured to provide cooling to air flowing through the first coil section with a first refrigerant; a second coil section located in the first airflow path and between the first cooling coil section and the first outlet, the second coil section being configured to provide cooling to air flowing through the second coil section with a second refrigerant; and a third coil section located in the first airflow path and between the first air inlet and the energy recovery wheel, the third coil section being configured to provide heating to air flowing through the third coil section with the second refrigerant.

[0009] In some examples, the first refrigerant is a hydrofluorocarbon-based refrigerant.

[0010] In some examples, the second refrigerant is a water-based fluid.

[0011] In some examples, the unit further includes a first refrigeration system that provides cooling to the first coiling coil via the first refrigerant and a second refrigeration system configured to provide cooling to terminal units associated with the air handling system and heating to the second coil section, and that is in fluid communication with the second and third coil sections.

[0012] In some examples, the second refrigeration system is an air-cooled chiller or a reverse cycle heat pump.

[0013] In some examples, the air-to-air heat exchanger is a passive desiccant enthalpy wheel.

[0014] An air conditioning system can include a plurality of terminal units in fluid communication with the supply

airflow generated by the air handling unit, each of the plurality of terminal units being provided with a wireless control system including controller in communication with a temperature sensor and control valve associated with the terminal unit; a plurality of radiant panels or chilled beams in fluid communication with the second refrigeration system; and a pump circulating a working fluid from the second refrigeration system, to the radiant cooling panels or chilled beams, to the air handling unit second heat exchanger, and back to the second refrigeration system.

[0015] In some examples, each terminal unit includes at least one of the plurality of radiant panels or chilled beams.

[0016] In some examples, a hybrid coil includes a casing having an inlet end and an outlet end; a plurality of heat exchanging fins extending between the inlet and outlet ends; a first coil section located in the casing, the first coil section including tubing extending between a first inlet and a first outlet configured for connection with a first refrigeration system using a first working fluid; and a second coil section located in the casing between the outlet end and the first coil, the second coil section including tubing extending between a second inlet and a second outlet configured for connection with a second refrigeration system using a second working fluid different from the first working fluid.

[0017] In some examples, the first working fluid is a hydrofluorocarbon-based refrigerant.

[0018] In some examples, the second working fluid is a water-based fluid.

[0019] In some examples, the tubing of the first coil section and the tubing of the second coil section both extend through the plurality of fins.

[0020] In some examples, the tubing of the first coil section and the tubing of the second coil section are formed from copper tubing and the plurality of fins are formed from an aluminum material.

[0021] A method of conditioning a space is also disclosed. The method can include the steps of cooling a first working fluid with a first refrigeration system, cooling a second working fluid with a second refrigeration system, cooling a supply air flow with a first heat exchanger utilizing the first working fluid, heating the supply airflow with a second heat exchanger utilizing the second heat exchanger, cooling one or more radiant cooling panels or chilled beams utilizing the second working fluid prior to the step of heating the supply airflow with the second working fluid, and delivering the supply airflow to an interior space.

[0022] In some examples, the second working fluid is one of water, glycol, and a combination of water and glycol.

[0023] In some examples, the method includes the step of cooling the supply airflow with a third heat exchanger prior to the step of cooling the supply airflow with the first heat exchanger.

[0024] In some examples, the step of cooling the supply airflow with the fourth heat exchanger includes transferring heat from a return airflow from the interior space to the supply airflow.

[0025] In some examples, the step of cooling the supply airflow with the third heat exchanger includes passing the supply and return airflows through a passive desiccant enthalpy wheel.

[0026] In some examples, the first refrigeration system is a direct expansion type system and the second refrigeration system is an air cooled chiller.

[0027] In some examples, the step of cooling the one or more radiant cooling panels or chilled beams with the second working fluid includes delivering the second working fluid to the radiant cooling panels or chilled beams at a temperature that is equal to or above a measured dew point temperature of the interior space.

[0028] A variety of additional aspects will be set forth in the description that follows. The aspects can relate to individual features and to combinations of features. It is to be understood that both the forgoing general description and the following detailed description are exemplary and explanatory only and are not restrictive of the broad inventive concepts upon which the examples disclosed herein are based.

BRIEF DESCRIPTION OF THE DRAWINGS

[0029] The accompanying drawings, which are incorporated in and constitute a part of the description, illustrate several aspects of the present disclosure. A brief description of the drawings is presented below.

[0030] FIG. 1 is a schematic representation of a system utilizing an integrated chilled beam/chiller direct outside air path unit.

[0031] FIG. 2 is a schematic representation of a cooling coil suitable for use within the air handling system shown in FIG. 1.

[0032] FIG. 3 is a schematic representation of a cooling coil suitable for use within the air handling system shown in FIG. 1.

[0033] FIG. 4 is a schematic representation of a direct expansion cooling system usable in the integrated chilled beam/chiller direct outside air path unit shown in FIG. 1.

[0034] FIG. 5 is a schematic representation of a system utilizing an integrated chilled beam/chiller direct outside air path unit.

[0035] FIG. 6 is a front view of a cooling coil suitable for use with the air handling systems shown in FIGS. 1 and 5.

[0036] FIG. 7 is a top view of the cooling coil shown in FIG. 6.

[0037] FIG. 8 is a first side view of the cooling coil shown in FIG. 6.

[0038] FIG. 9 is a second side view of the cooling coil shown in FIG. 6.

DETAILED DESCRIPTION

[0039] Various examples will be described in detail with reference to the drawings, wherein like reference numerals represent like parts and assemblies throughout the several views. Reference to various examples does not limit the scope of the claims attached hereto. Additionally, any examples set forth in this specification are not intended to be limiting and merely set forth some of the many possible examples for the appended claims. Referring to the drawings wherein like reference numbers correspond to like or similar components throughout the several figures.

[0040] As shown, the conditioning system **1** includes an air handling system **100** that provides conditioned air and cooling water to a plurality of terminal units **200**.

[0041] The air handling system **100** is defined by an enclosure **102**. In one aspect, the enclosure includes a first air inlet **106** and a first air outlet **108**, between which a process air flow path **104** extends. In the example shown, the first air inlet **106** is in communication either directly or via

ductwork with the outside air at ambient conditions. The enclosure 102 is also shown as including a second air inlet 110 and a second air outlet 112, between which a regeneration air flow path 114 extends. The process and regeneration air flow paths 104, 114 are shown as being separated by an internal wall 113. A process air fan 116 may be provided to move air through the process airflow path while a regeneration air fan 117 may be provided to move air through the regeneration airflow path 114.

[0042] The air handling system 100 also has an energy recovery wheel 118, for example a passive desiccant energy recovery wheel, extending between the process and regeneration airflow paths 104, 114. As the energy recovery wheel 118 rotates, the wheel 118 transfers heat and humidity between the process and regeneration airflow paths 104, 114. In one implementation, return air (from the conditioned space 2) is drawn through a portion of the wheel 118 extending within the regeneration air flow path 114 by the regeneration fan 117 while outside air is drawn through a portion of the wheel 118 disposed in the process air flow path 104. Under certain conditions, the cooler and dryer return air in the regeneration airflow path absorbs heat and moisture from the outside air in the process airflow path via the energy recovery wheel 118 such that the process air is preconditioned.

[0043] In the example shown, ductwork 130 extends between the space 2 and the second air inlet 110 such that return air can be delivered to the air handling system 100. Ductwork 132 is also shown as being provided between the terminal units 200 and the air outlet 108 of the air handling system 100 such that supply air can be delivered to the terminal units 200 by the air handling system 100. In one aspect, the air handling system 100 is provided with a damper assembly 119. As shown, the damper assembly 119 has a first section 119a that controls the volume of outside air entering through inlet 106 and a second section 119b that controls the volume of exhaust air exiting through outlet 112. The position of the damper assemblies 119a and 119b can be positioned (e.g. via actuators operated via a building automation system) to control the ratio of return air from the space 2 and outside air entering from inlet 106 that is delivered to the back to the space 2 via the process fan 108 and to control the amount of exhaust air that exits outlet 112. Where damper assembly 119a is positioned in a completely opened position and damper assembly 119b is positioned in a completely closed position, the air handling system 100 will deliver 100 percent outside air from inlet 106 to the space 2 via fan 116. Where damper assembly 119a is positioned in a completely closed position and damper assembly 119b is positioned in a completely open position, the air handling system 100 will deliver 100 percent return air from inlet 110 to the space 2 via fan 116. Accordingly, the dampers 119a, 119b can be cooperatively positioned at any desired intermediate position to achieve a desired percentage of outside air delivered to the space 2.

[0044] As shown, the air handling system 100 further includes a hybrid coil system 120 having a first section 120a and a second section 120b. In one arrangement, the first section 120a is a direct expansion or "DX" type coil and the second section 120b is a liquid-to-air heat exchanger coil that utilizes a liquid as the heat transfer mechanism. The coil assembly can be provided with a unitary construction such that the sections 120a and 120b are joined together such that the coils utilize common heat transfer fins that traverse

across both sections, as illustrated at FIGS. 2 and 6 to 9. The sections 120a, 120b may also be provided as separate coils that are then later joined together or mounted separately within the process air flow path 104. In the example shown at FIGS. 6 to 9, the coil sections 120a, 120b are fully integrated into a single casing 120d such that the hybrid coil 120 can be installed into the air handling system 100' as a single unit. In one aspect, a plurality of metal fins 120e extend between a front and back face of the casing 120d, wherein tubing 120f associated with the first section 120a and tubing 120g associating with the second section 120b serpentine through the fins 120e. As shown, the first section 120a has a first inlet 120h and a first outlet 120i in fluid communication with the tubing 120f. A plurality of branch lines 120j, shown schematically, extend from the first inlet 120h extend to the tubing 120f. As mentioned previously, a refrigerant coolant, such as a hydrofluorocarbon-based refrigerant (e.g. HFCs including R410A and R134), can flow through the first section 120a, from the first inlet 120h, the branch lines 120j, the tubing 120f, and then to the outlet. As shown, the second section 120b has a second inlet 120k and a second outlet 120m in fluid communication with the tubing 120g. As mentioned previously, a liquid working fluid or coolant, such as water and/or glycol, can flow through the second section 120b, from the second inlet 120k, through the tubing 120g, and then to the second outlet 120m. Referring to FIG. 3, an alternative arrangement is presented in which a third section 120c is provided that transfers heat from a modulating hot gas bypass system to the process air (i.e. a gas reheat coil). As shown, the third section is shown downstream of the second section 120b. In one example, the fins 120e are formed from an aluminum material and the tubing 120f, 120g is formed from copper tubing. With the disclosed design, the hybrid coil 120 saves room, thereby allowing for hot gas reheat to be located after the hybrid coil 120 more easily, if desired.

[0045] The air handling system 100 is additionally shown as including a first refrigeration system 122 and a second refrigeration system 124. In one embodiment, the first refrigeration system 122 is a direct expansion type system including one or more compressors C and one or more expansion valves V in fluid communication with the hybrid coil assembly first section 120a. The first refrigeration system 122 can further include a condensing unit or section 128 including a condensing coil 128a and fan 128b for condensing the refrigerant circulating through the hybrid coil assembly first section 120a, as schematically depicted at FIG. 4.

[0046] In one embodiment, the second refrigeration system 124 is an air cooled chiller system including one or more compressors and evaporators that cool a liquid refrigerant circulated between the hybrid coil assembly second section 120b and one or more compressor(s). The liquid refrigerant can be water, glycol, or a combination of water and glycol, or any other suitable heat transfer fluid. The air cooled chiller system 124 can further include a condensing unit or section including a condensing coil and fan for condensing the refrigerant circulating through the hybrid coil assembly first section 120a. The second refrigeration system 124 can also be configured as a reverse cycle heat pump, operable in a cooling mode or a heating mode, such that both heating and cooling can be provided to the terminal units 200. The second refrigeration system 124 could also be alternatively configured as a water cooled chiller.

[0047] As shown, each of the first and second refrigeration systems is packaged within the air handling unit enclosure **102** such that a single resulting structure exists. Such a configuration is advantageous in that all major mechanical equipment associated with the system **1** can be delivered to a job site and installed, for example on a roof, in a single step with much of the piping and associated components already installed.

[0048] The second refrigeration system **124** also includes a pump **126** and associated piping **126a**, **126b**, **126c**, configured such that the pump **126** pumps water through an evaporator and then to terminal units **200** within the building via supply piping **126a**. The volume of water delivered to each terminal units **200** can be controlled via individual control valves **202**, which can be operated to maintain a room temperature set point via a room temperature sensor. An example terminal unit **200** suitable for use in the disclosed design is shown and described in U.S. Patent Application Publication US 20120270494 A1, the entirety of which is incorporated by reference herein.

[0049] From the terminal units **200**, the chilled water is routed to the hybrid coil assembly second section **120b** via intermediate piping **126b** and then back to the pump **126** via return piping **126c**. With this routing, the second refrigeration system **124** can be configured to generate 58 degree F. chilled water that is delivered to the terminal units **200** via supply piping **126a**. In one example, the terminal units **200** perform only sensible cooling and such a chilled water supply temperature is sufficient to provide cooling without condensing moisture from the air passing through the terminal unit **200**. After passing through the terminal units **200**, the chilled water is delivered to the second section **120b** at an elevated temperature, for example at about 64 degrees F., via intermediate piping **126b**. Typically, the first refrigeration system **122** and first section **120a** will cool the air down to a temperature that is lower than desired for delivery to the terminal units **200** and that is below the temperature of the chilled water being delivered to the second section **120b**. In one example, the air passing through the second section **120b** decreases the chilled water temperature, for example from about 64 degrees F. to about 62 degrees F. Concurrently, the air passing through the second section **120b** is heated. This approach can eliminate the need for reheating the air via other means, such as a hot gas bypass system associated with the first refrigeration system **122**. Where the second refrigeration system **124** is configured as a reverse cycle heat pump and operating in the heating mode providing, for example, 140 degree F. water to the second section **120b**, the condensate from the first section **120a** could be entirely evaporated. As noted previously, if further reheating is desired, a third section **120c** can be provided that does utilize heat from a hot gas bypass system, as shown at FIG. 3. From the second section **120b** of the coil arrangement **120**, water is returned to the second refrigeration system **124** via piping **126c**, thus completing the circuit such that the water can be cooled and returned to the terminal units via operation of the pump **126**.

[0050] Referring to FIG. 5, a second example of an air conditioning system **1'** is presented in which includes a modified air handling system **100'** that provides conditioned air and cooling water to the plurality of terminal units **200**. The air handling system **100'** has many features in common

with air handling system **100**. Accordingly, the description for air handling system **100** is largely applicable to air handling system **100'**.

[0051] The air handling system **100'** differs from air handling system **100** primarily in that a hydronic system **140** is provided including a coil **142** located in the air handling system **100'** between the first air inlet **106** and the energy recovery wheel **118**. The coil **142** is in fluid communication with a pump **144** via branch lines **144a**, **144b** which further extend to line **126c**, **126c**. Accordingly, when the pump **144** is activated, fluid from line **126c** is pumped through the coil **142** and back to line **126c** at a downstream location. In the example shown, the fluid flowing through branch **126c** is at the warmest point in the second refrigeration system **124** when the second refrigeration system **124** is in a cooling mode. In one mode of operation, when the pump **126** and second refrigeration system **124** are activated in a cooling mode, the pump **144** can be activated when the temperature of the air entering inlet **106** is below a predetermined threshold or a relative threshold, for example when the entering air is below the temperature of the fluid in line **126** returning to the second refrigeration system **124**. Under such circumstances, the coil **142** functions to elevate the temperature of the air from inlet **106** passing through the coil **142**, which can advantageously provide a frost-control/prevention function for the energy recovery wheel **118**. Raising the temperature in this way enables the energy recovery wheel **118** to rotate at a higher rate since the speed of the wheel does not need to be slowed to the same extent to avoid frost build-up on the wheel, therefore resulting in greater heat transfer across the wheel **118**. Furthermore, this operation will operate to cool the fluid passing through the coil **142**, thus lowering the temperature of the fluid returning to the second refrigeration system **124** and therefore lowering the load on the second refrigeration system **124**. For example, where the fluid temperature in the line **126c** is about 62 degrees, the coil **142** can lower the temperature returned back to line **126c** to a temperature below 62 degrees. With the disclosed configuration, the hydronic system **140** can be characterized as providing a fluid-side economizer for the second refrigeration system **124**, and the coil **142** can be characterized as an economizer and/or pre-heat coil. In one illustrative example, the coil **142**, with an airflow of about 1,850 cfm and fluid/liquid flow rate of about 45 gpm, heats the air entering the coil **142** from about 51 degrees to about 63 degrees and lowers the fluid/liquid temperature from about 67 degrees to about 65.8 degrees. The lowering of the fluid/liquid temperature through the coil thus provides an energy credit back to the second refrigeration system **124** while simultaneously providing pre-heat air to the energy recovery wheel **142**.

[0052] In the example shown at FIG. 5, the terminal units **200** are provided with packaged controls, such that the control valve **202** and a controller **204** that can wirelessly communicate with the air handling system **100'** and/or the associated building automation system. In one aspect, the controller **204** provides an output to the control valve **202** to control the position of the valve **202** to maintain a temperature set point, for example a set point temperature associated with a room thermostat or temperature sensor **206**. In some examples, the controller **204** can directly receive an input from the temperature sensor **206**, either via a hard wired connection or via a wireless connection. The terminal unit **200** can be provided with the temperature sensor **206** and the

controller **204** can be preconfigured to communicate with the temperature sensor **206** such that an installer can more easily install the system. In one aspect, the controller **204** can include a processor and a non-transient storage medium or memory, such as RAM, flash drive or a hard drive. Memory is for storing executable code, the operating parameters, and the input from the operator user interface while processor is for executing the code. The controller **204** can also include transmitting/receiving ports, such as a CAN bus connection or an Ethernet port for two-way communication with a WAN/LAN related to an automation system and to interrelated controllers. A user interface may be provided to activate and deactivate the system, allow a user to manipulate certain settings or inputs to the controller **204**, and to view information about the system operation.

[0053] The controller **204** typically includes at least some form of memory. Examples of memory include computer readable media. Computer readable media includes any available media that can be accessed by the processor. By way of example, computer readable media include computer readable storage media and computer readable communication media. Computer readable storage media includes volatile and nonvolatile, removable and non-removable media implemented in any device configured to store information such as computer readable instructions, data structures, program modules or other data. Computer readable storage media includes, but is not limited to, random access memory, read only memory, electrically erasable programmable read only memory, flash memory or other memory technology, compact disc read only memory, digital versatile disks or other optical storage, magnetic cassettes, magnetic tape, magnetic disk storage or other magnetic storage devices, or any other medium that can be used to store the desired information and that can be accessed by the processor.

[0054] Computer readable communication media typically embodies computer readable instructions, data structures, program modules or other data in a modulated data signal such as a carrier wave or other transport mechanism and includes any information delivery media. The term “modulated data signal” refers to a signal that has one or more of its characteristics set or changed in such a manner as to encode information in the signal. By way of example, computer readable communication media includes wired media such as a wired network or direct-wired connection, and wireless media such as acoustic, radio frequency, infrared, and other wireless media. Combinations of any of the above are also included within the scope of computer readable media. In examples, the controller **204** communicates with a system-level controller associated with a building and/or the air handling system **100** or **100'** over a secure and encrypted 900 MHz wireless mesh network. In examples, the controller **204** and/or sensor **206** communicated with each other and/or with a supervisory controller via Bluetooth pairing. In some examples, the controller **204** and/or sensor **206** are SMART NODE and SMART STAT (or WALL SENSOR) branded components provided by 75F of Bloomington, Minn.

[0055] From the forgoing detailed description, it will be evident that modifications and variations can be made in the aspects of the disclosure without departing from the spirit or scope of the aspects. While the best modes for carrying out the many aspects of the present teachings have been described in detail, those familiar with the art to which these

teachings relate will recognize various alternative aspects for practicing the present teachings that are within the scope of the appended claims.

What is claimed is:

1. An air handling unit providing a supply airflow, the air handling unit including:

- a) an enclosure defining a first airflow path extending between a first air inlet and a first air outlet and defining a second airflow path extending between a second air inlet and a second air outlet;
- b) a first fan located between the first air inlet and outlet;
- c) an air-to-air heat exchanger extending between the first and second airflow paths;
- d) a first coil section located in the first airflow path between the energy recovery wheel and the first air outlet, the first coil section being configured to provide cooling to air flowing through the first coil section with a first refrigerant;
- e) a second coil section located in the first airflow path and between the first cooling coil section and the first outlet, the second coil section being configured to provide cooling to air flowing through the second coil section with a second refrigerant; and
- f) a third coil section located in the first airflow path and between the first air inlet and the energy recovery wheel, the third coil section being configured to provide heating to air flowing through the third coil section with the second refrigerant.

2. The air handling unit of claim **1**, wherein the first refrigerant is a hydrofluorocarbon-based refrigerant.

3. The air handling unit of claim **1**, wherein the second refrigerant is a water-based fluid.

4. The air handling unit of claim **1**, further comprising:

- a) a first refrigeration system that provides cooling to the first coiling coil via the first refrigerant;
- b) a second refrigeration system configured to provide cooling to terminal units associated with the air handling system and heating to the second coil section, and that is in fluid communication with the second and third coil sections.

5. The air conditioning system of claim **4**, wherein the second refrigeration system is an air-cooled chiller or a reverse cycle heat pump.

6. The air conditioning system of claim **1**, wherein the air-to-air heat exchanger is a passive desiccant enthalpy wheel.

7. An air conditioning system comprising:

- a) the air handling unit of claim **1**;
- b) a plurality of terminal units in fluid communication with the supply airflow generated by the air handling unit, each of the plurality of terminal units being provided with a wireless control system including controller in communication with a temperature sensor and control valve associated with the terminal unit;
- c) a plurality of radiant panels or chilled beams in fluid communication with the second refrigeration system; and
- d) a pump circulating a working fluid from the second refrigeration system, to the radiant cooling panels or chilled beams, to the air handling unit second heat exchanger, and back to the second refrigeration system.

8. The air conditioning system of claim **7**, wherein each terminal unit includes at least one of the plurality of radiant panels or chilled beams.

9. A hybrid coil for use in an air handling system, the hybrid coil comprising:

- a) a casing having an inlet end and an outlet end;
- b) a plurality of heat exchanging fins extending between the inlet and outlet ends;
- c) a first coil section located in the casing, the first coil section including tubing extending between a first inlet and a first outlet configured for connection with a first refrigeration system using a first working fluid; and
- d) a second coil section located in the casing between the outlet end and the first coil, the second coil section including tubing extending between a second inlet and a second outlet configured for connection with a second refrigeration system using a second working fluid different from the first working fluid.

10. The hybrid coil of claim 1, wherein the first working fluid is a hydrofluorocarbon-based refrigerant.

11. The hybrid coil of claim 1, wherein the second working fluid is a water-based fluid.

12. The hybrid coil of claim 1, wherein the tubing of the first coil section and the tubing of the second coil section both extend through the plurality of fins.

13. The hybrid coil of claim 1, wherein the tubing of the first coil section and the tubing of the second coil section are formed from copper tubing and the plurality of fins are formed from an aluminum material.

14. A method of conditioning a space, the method comprising:

- a) cooling a first working fluid with a first refrigeration system;
- b) cooling a second working fluid with a second refrigeration system;
- c) cooling a supply air flow with a first heat exchanger utilizing the first working fluid;

d) heating the supply airflow with a second heat exchanger utilizing the second working fluid;

e) cooling one or more radiant panels or chilled beams utilizing the second working fluid prior to the step of heating the supply airflow with the second working fluid; and

f) delivering the supply airflow to an interior space.

15. The method of claim 14, wherein the second working fluid is one of water, glycol, and a combination of water and glycol.

16. The method of claim 14, further including the step of cooling the supply airflow with a third heat exchanger prior to the step of cooling the supply airflow with the first heat exchanger.

17. The method of claim 15, wherein the step of cooling the supply airflow with the fourth heat exchanger includes transferring heat from a return airflow from the interior space to the supply airflow.

18. The method of claim 16, wherein the step of cooling the supply airflow with the third heat exchanger includes passing the supply and return airflows through a passive desiccant enthalpy wheel.

19. The method of claim 14, wherein the first refrigeration system is a direct expansion type system and the second refrigeration system is an air cooled chiller.

20. The method of claim 14, wherein the step of cooling the one or more radiant cooling panels or chilled beams with the second working fluid includes delivering the second working fluid to the radiant cooling panels or chilled beams at a temperature that is equal to or above a measured dew point temperature of the interior space.

* * * * *