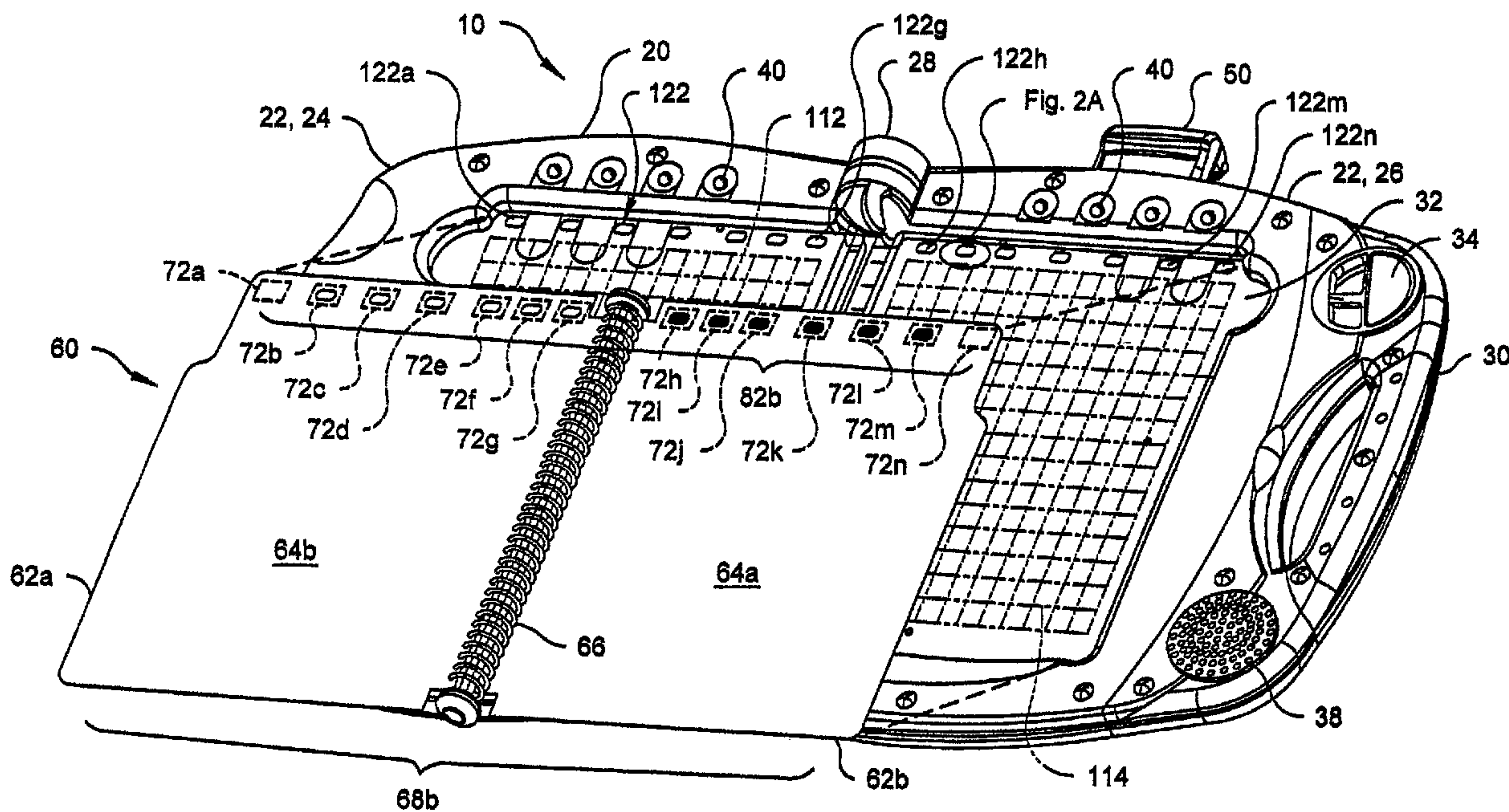




(86) Date de dépôt PCT/PCT Filing Date: 2004/01/30
 (87) Date publication PCT/PCT Publication Date: 2004/08/19
 (85) Entrée phase nationale/National Entry: 2005/07/26
 (86) N° demande PCT/PCT Application No.: US 2004/002518
 (87) N° publication PCT/PCT Publication No.: 2004/070545
 (30) Priorité/Priority: 2003/01/31 (60/443,967) US

(51) Cl.Int.⁷/Int.Cl.⁷ G09B 5/06, G09B 5/00
 (71) Demandeur/Applicant:
MATEL, INC., US
 (72) Inventeurs/Inventors:
TAYLOR, JOHN W., US;
MEADE, JAMES P., US;
CIMERMAN, CHRISTOPHER D., US;
ERNST, STEPHEN M., US
 (74) Agent: MARKS & CLERK

(54) Titre : DISPOSITIF ELECTRONIQUE INTERACTIF A SYSTEME D'IDENTIFICATION DE PAGE OPTIQUE
 (54) Title: INTERACTIVE ELECTRONIC DEVICE WITH OPTICAL PAGE IDENTIFICATION SYSTEM



(57) Abrégé/Abstract:

An electronic interactive system (10) including an electronic device (20) and a book (60, 60', 60'') for use with the electronic device (20). The electronic device (20) includes an optical page identification system capable of autonomously identifying page identifier codes (82a-82o) uniquely associated with each of a plurality of page spreads (68a-68o) of the book (60, 60', 60'').

(12) INTERNATIONAL APPLICATION PUBLISHED UNDER THE PATENT COOPERATION TREATY (PCT)

(19) World Intellectual Property
Organization
International Bureau



(43) International Publication Date
19 August 2004 (19.08.2004)

PCT

(10) International Publication Number
WO 2004/070545 A3

(51) International Patent Classification⁷: G09B 5/06, 5/00

(21) International Application Number:
PCT/US2004/002518

(22) International Filing Date: 30 January 2004 (30.01.2004)

(25) Filing Language: English

(26) Publication Language: English

(30) Priority Data:
60/443,967 31 January 2003 (31.01.2003) US

(71) Applicant: MATTEL, INC. [—/US]; 333 Continental Blvd., El Segundo, CA 90245-5012 (US).

(72) Inventors: TAYLOR, John, W.; P.O. Box 464, Elma, NY 14059 (US). MEADE, James, P.; 5525 Coachmans Lane, Hamburg, NY 14075 (US). CIMERMAN, Christopher, D.; 9230 Via Cimato Drive, Clarence Center, NY 14032 (US). ERNST, Stephen, M.; 13750 Holmes Road, Colorado Springs, CO 80908 (US).

(74) Agents: JAMIESON, John, Jr. et al.; Akin Gump Strauss Hauer & Feld, LLP, One Commerce Square, Suite 2200, 2005 Market Street, Philadelphia, PA 19103-7086 (US).

(81) Designated States (unless otherwise indicated, for every kind of national protection available): AE, AG, AL, AM,

AT, AU, AZ, BA, BB, BG, BR, BW, BY, BZ, CA, CH, CN, CO, CR, CU, CZ, DE, DK, DM, DZ, EC, EE, EG, ES, FI, GB, GD, GE, GH, GM, HR, HU, ID, IL, IN, IS, JP, KE, KG, KP, KR, KZ, LC, LK, LR, LS, LT, LU, LV, MA, MD, MG, MK, MN, MW, MX, MZ, NA, NI, NO, NZ, OM, PG, PH, PL, PT, RO, RU, SC, SD, SE, SG, SK, SL, SY, TJ, TM, TN, TR, TT, TZ, UA, UG, US, UZ, VC, VN, YU, ZA, ZM, ZW.

(84) Designated States (unless otherwise indicated, for every kind of regional protection available): ARIPO (BW, GH, GM, KE, LS, MW, MZ, SD, SL, SZ, TZ, UG, ZM, ZW), Eurasian (AM, AZ, BY, KG, KZ, MD, RU, TJ, TM), European (AT, BE, BG, CH, CY, CZ, DE, DK, EE, ES, FI, FR, GB, GR, HU, IE, IT, LU, MC, NL, PT, RO, SE, SI, SK, TR), OAPI (BF, BJ, CF, CG, CI, CM, GA, GN, GQ, GW, ML, MR, NE, SN, TD, TG).

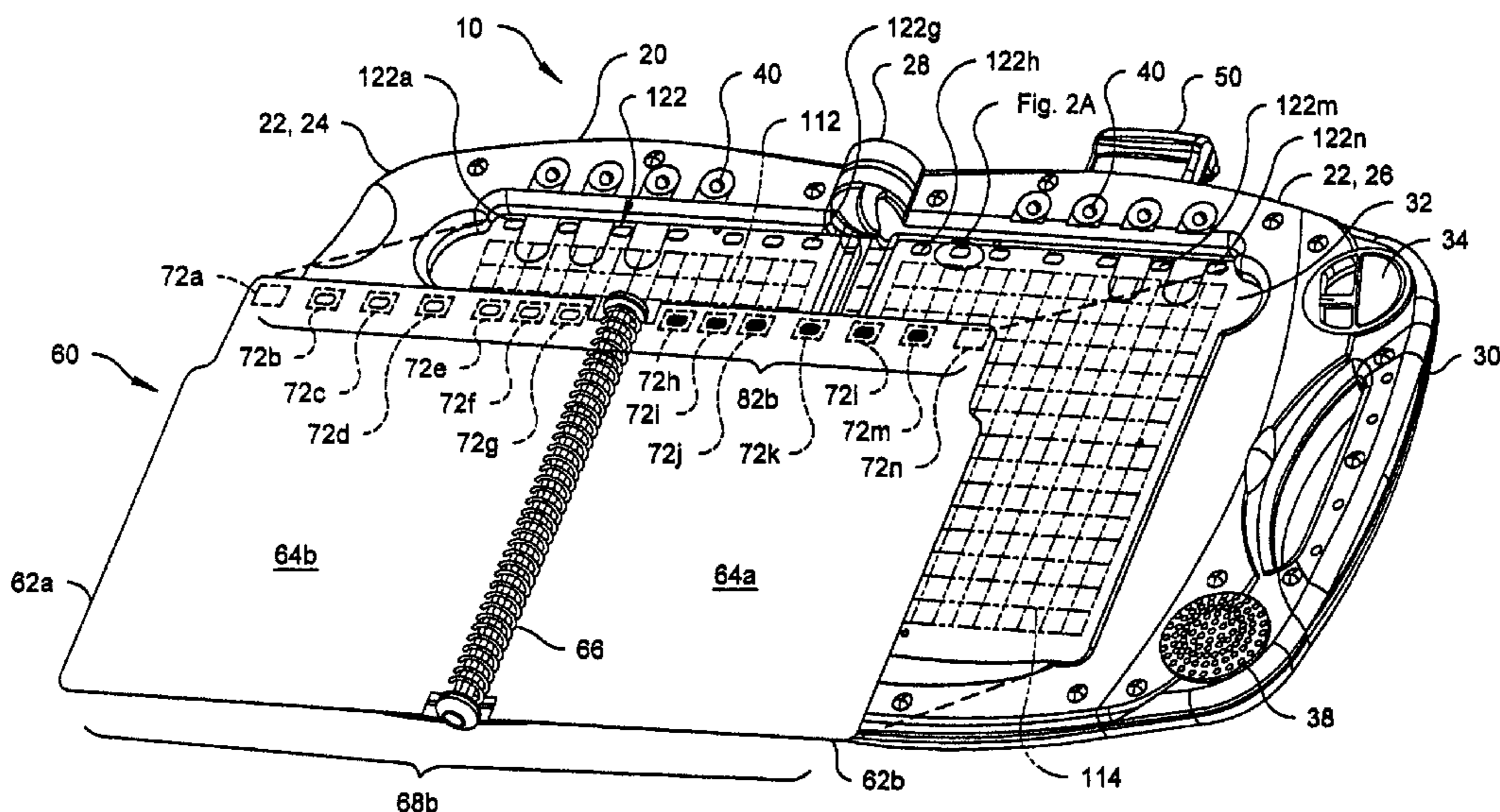
Published:

- with international search report
- before the expiration of the time limit for amending the claims and to be republished in the event of receipt of amendments

(88) Date of publication of the international search report:
19 May 2005

[Continued on next page]

(54) Title: INTERACTIVE ELECTRONIC DEVICE WITH OPTICAL PAGE IDENTIFICATION SYSTEM



(57) Abstract: An electronic interactive system (10) including an electronic device (20) and a book (60, 60', 60'') for use with the electronic device (20). The electronic device (20) includes an optical page identification system capable of autonomously identifying page identifier codes (82a-82o) uniquely associated with each of a plurality of page spreads (68a-68o) of the book (60, 60', 60'').

WO 2004/070545 A3

WO 2004/070545 A3



For two-letter codes and other abbreviations, refer to the "Guidance Notes on Codes and Abbreviations" appearing at the beginning of each regular issue of the PCT Gazette.

TITLE OF THE INVENTION

[0001] Interactive Electronic Device with Optical Page Identification System

BACKGROUND OF THE INVENTION

5 [0002] The present invention relates to an optical page identification system for an interactive, electronic system using books. More particularly, the present invention relates to an autonomous, optical page-identification system that communicates to the system controller the identity of the page that is viewable by the user.

10 [0003] Certain interactive, electronic systems allow a child to activate electronic speech, sound and lights by pointing to words or images on the cover and pages of multi-page books used with a reader or base unit. The principle components of the typical system are the base unit housing system electronics, one or more books each removably mountable in the base unit, for an example in a book well, and a read only memory ("ROM"), either within the base unit or within cartridges removably connected with the base unit and storing software associated with the content of the books. In
15 addition to book-based activity, letters of the alphabet, numerals or other graphics may be provided on the upwardly facing surface of the base unit to allow alphabet, number or graphics based learning or game play when a book is not present in the unit.

[0004] The conventional hardware for the implementing the aforementioned systems is generally not user friendly. A hardwired stylus or difficult to press pressure sensitive switches are
20 provided to identify the page being viewed and to select the interactive content on the viewed page. This conventional hardware usually requires an undesirable amount of assistance, instruction and practice before a child can knowledgeably and properly use the system, particularly pre-school children. For example, to identify a currently viewable page or to detect a page turn, a child must be instructed to recognize and then touch on the page a uniquely positioned printed identification
25 icon, such as a graphic having a particular geometric shape or an easily recognizable key word such as the word "Go". The systems are also error prone due to the positional certainty of the pages of the book on the reader. The systems are also prone to user induced errors such as failure to identify or properly select the page identification icon before interacting with a page or turning of multiple pages at once or the partial turning of a page. Accordingly, the current page identification and
30 synchronization methods employed by conventional book interaction systems result in a large percentage of synchronization errors for young users.

[0005] An autonomous page identification system that communicates to the system controller the identity of the page that is viewable by the user without requiring user intervention provides a user friendly system. More particularly, an autonomous page identification system reducing or eliminating page synchronization errors will significantly increase the value of other, conventional aspects of such systems to users particularly pre-school users.

BRIEF SUMMARY OF THE INVENTION

[0006] In a first aspect, the invention is a book encoded for optical page identification. The book comprises a plurality of successive page spreads defined by a plurality of pages. The book further comprises a first sequence of page identifiers, each identifier associated with a first corresponding page spread of the plurality of successive page spreads. The first sequence comprises overlayable arrangements of open-hole and closed-hole locations, each successive arrangement of the first sequence decreasing in a first total number of open-hole locations by at least one open-hole location. A second sequence of page identifiers is also provided, each identifier associated with a second corresponding page spread of the plurality of successive page spreads. The second sequence comprises overlayable arrangements of open-hole and closed-hole locations, each successive arrangement of the second sequence increasing in a second total number of open-hole locations by at least one open-hole location.

[0007] In a second aspect, the invention is a book encoded for optical page identification. The book comprises a plurality of successive page spreads, each page spread having a first corresponding page and a second corresponding page. The book further comprises a first sequence of page identifiers, each identifier associated with a first corresponding page spread of the plurality of successive page spreads. The first sequence comprises overlayable arrangements of open-hole and closed-hole locations, each arrangement of the first sequence having at least one closed-hole location on the first corresponding page of the first corresponding page spread, the at least one closed-hole location having a first optical reflectance detectably different than a second optical reflectance of a first area adjacent the at least one closed-hole location. The book further comprises a second sequence of page identifiers, each identifier associated with a second corresponding page spread of the plurality of successive page spreads. The second sequence comprises overlayable arrangements of open-hole and closed-hole locations, each arrangement of the second sequence having at least one closed-hole location on the second corresponding page of the second corresponding page spread, the at least one closed-hole location having a third optical reflectance

detectably different than a fourth optical reflectance of a second area adjacent the at least one closed-hole location.

[0008] In a third aspect, the invention is an electronic learning device for receiving a book having a plurality of successive page spreads. At least one page spread has selectable content and an optically readable page identifier. The device comprises a housing configured to receive the book. A position sensor is in the housing. The position sensor is configured to determine the location of the selectable content on the at least one page spread. An optical sensor is provided in the housing. The optical sensor is configured to irradiate and detect the page identifier on the at least one page spread. Control electronics in the housing are provided, the control electronics being operatively coupled to the optical sensor and to the position sensor, and the control electronics being configured to synchronize operation of the position sensor and the optical sensor.

BRIEF DESCRIPTION OF THE SEVERAL VIEWS OF THE DRAWINGS

[0009] The foregoing summary, as well as the following detailed description of preferred embodiments of the invention, will be better understood when read in conjunction with the appended drawings. For the purpose of illustrating the invention, there are shown in the drawings embodiments which are presently preferred. It should be understood, however, that the invention is not limited to the precise arrangements and instrumentalities shown.

[0010] In the drawings:

[0011] Fig. 1 is a schematic block diagram of an interactive electronic learning system having an autonomous page identification system in accordance with the present invention;

[0012] Fig. 2 is a top perspective view of the main components of the electronic learning system schematically illustrated in Fig. 1;

[0013] Fig. 2A is an enlarged top plan view of an emitter-detector pair of the page identification system of the electronic learning system of Fig. 2;

[0014] Fig. 3 is a cross-section view of the emitter-detector pair of Fig. 2A, taken along line 3-3;

[0015] Figs. 4A through 4G are a series of top plan views of an upper portion of a book of the electronic learning system of Fig. 2, showing several of a plurality of page spread configurations of the book and also showing in particular closed-hole and open-hole locations forming page identifiers corresponding to each of the several page spread configurations;

[0016] Fig. 5 is a table summarizing the status of hole locations forming each of the plurality of page identifiers corresponding, respectively, to each of the plurality of page spread configurations of the book of the electronic learning system of Fig. 2;

[0017] Figs. 6A through 6G are a series of bottom plan views of the portion of the book of Figs. 4A through 4G, as seen by a plurality of emitter-detector pairs when the book is operatively installed in an electronic learning device of the electronic learning system of Fig. 2;

[0018] Fig. 7 is a table summarizing the status of hole locations forming each of the plurality of page identifiers as seen by the plurality of emitter-detector pairs when the book is operatively installed in the electronic learning device of Fig. 2;

[0019] Fig. 8 is a block diagram of control electronics of the page identification system of Fig. 1;

[0020] Fig. 9 is a top plan view of an upper portion of an alternate embodiment of the book of the electronic learning system of Fig. 2, showing one of a plurality of page spread configurations of the book and illustrating an alternative embodiment of closed-hole and open-hole locations forming page identifiers corresponding to each of the several page spread configurations; and

[0021] Fig. 10 is a top plan view of an upper portion of another alternate embodiment of the book of the electronic learning system of Fig. 2, showing one of a plurality of page spread configurations of the book and illustrating another alternative embodiment of closed-hole and open-hole locations forming page identifiers corresponding to each of the several page spread configurations.

DETAILED DESCRIPTION OF THE INVENTION

[0022] Certain terminology is used in the following description for convenience only and is not limiting. The words "right," "left," "lower" and "upper" designate directions in the drawings to which reference is made. The words "inwardly" and "outwardly" refer to directions toward and away from, respectively, the geometric center of an interactive, electronic learning system having an optical page identification system in accordance with the present invention, and designated parts thereof. The terminology includes the words noted above, derivatives thereof and words of similar import.

[0023] Referring to Figs. 1-10, there are shown preferred embodiments of the invention in the form of an interactive, electronic learning system, generally designated 10. The electronic learning system 10 includes an electronic learning device or base unit 20, and one or more books 60. Given

the limitations of present consumer electronics, the system 10 may include one or more ROM cartridges 50, or other form mass electronic data storage, that can be removably connected with the base unit 20. The electronic learning device 20 also includes an integrated sensor system 100 (Fig. 8) having a position sensor 110 and, according to the present invention, an optical sensor system 120. With the exception of the integrated sensor system 100 disclosed in detail below, the electronic learning system 10 has substantially the same features as the electronic learning systems which are the subject of co-pending U.S. Patent applications filed by the assignee of the present invention. The co-pending applications are U.S. Patent Application No. 10/448,581, "Method for Teaching Linguistics"; U.S. Patent Application No. 10/448,582, "Interactive Multi-Sensory Reading System Electronic Teaching/Learning Device"; and U.S. Patent Application No. 10/448,583, "Electronic Learning Device for an Interactive Multi-Sensory Reading System", all having filing dates of May 30, 2003. The disclosures of these co-pending applications and that of Provisional Application No. 60/443,967 related hereto are hereby incorporated herein by reference.

[0024] With reference now to Figs. 1 and 2, the electronic learning system 10 includes the electronic learning device 20 for receiving the book 60 having a plurality of successive page spreads. As discussed below, at least one page spread of the book 60 has an optically readable page identifier. Additionally, at least one page of the book 60 has selectable content (not shown). The selectable content may be, for example, graphics disposed on the at least one page.

[0025] The electronic learning device 20 comprises a housing 22 configured to receive the book 60. The housing 22 includes a left hand portion 24 and a right hand portion 26. The two portions 24, 26 are hinged together by a hinge 28. A handle 30 is provided to allow the electronic learning device 20 to be conveniently transported when the left and right hand portions 24, 26 are placed in a closed position. Each portion 24, 26 includes a recess. The two recesses together form a book well 32 sized and shaped to releaseably receive the book 60. The artisan will appreciate by that changes could be made to the configuration of the housing 22 without departing from the broad inventive concept of the invention. For example, the housing 22 can have a unitary construction without a hinge. Further the housing 22 can have a substantially planar surface for receiving a book instead of a book recess.

[0026] The electronic learning device 20 includes an on/off switch 34. The electronic learning device 20 includes a speech generator 36; a sound output device, such as a speaker 38; displays, such as light emitting diodes 40; and base unit memory 44, all operatively connected to a controller

42. The controller 42 may include a general-purpose microcontroller, such as SUNPLUS™ Part No. SPL130A, or the like. A power supply 46 provides power to the electronic components of the electronic learning device 20. Preferably, the power supply 46 is provided by dry-cell or rechargeable batteries stored within the housing 22.

5 [0027] Referring to Figs. 1 and 8, the integrated sensor system 100 comprises a position sensor 110 and an optical sensor 120 operatively coupled to sensor electronics 130 controlled by the controller 42. In a preferred embodiment, the position sensor 110 comprise a plurality of at least touch-responsive, mutually adjoining sensors organized in a two-dimensional array. The array is formed by separate and separated first and second sets of generally parallel, individual conductive lines transversely crossing over each other beneath an upper surface of the housing 22. Further description of the array may be found in co-pending U.S. Patent Application No. 10/448,582. A signal oscillator 132 is cyclically coupled to individual conductive lines of the first set of conductive lines. A synchronous detection circuit 150 is operatively coupled with the signal generator 132 and with individual conductive lines of the second set of conductive lines to identify user selected individual cross-points of the first and second sets of lines of the array. In other embodiments of the invention, the position sensor 110 can be any position sensor suitable for use with an electronic learning device, such as those described in U.S. Patent No. 5,686,705 and U.S. Patent No. 6,661,405, and that is adaptable for operation with the optical sensor 120.

15 [0028] The two-dimensional array comprising the position sensor 110 preferably is partitioned into a left-hand sixteen by sixteen sensor matrix 112 and a right-hand sixteen by sixteen sensor matrix 114 (Fig. 8), respectively positioned in the corresponding left hand portion 24 and right hand portion 26 of the housing 22. Each sensor matrix 112, 114 has row and column conductive lines, represented schematically in phantom in Fig. 2. The sensor matrices 112, 114 are adapted to detect the proximity of a user's finger. Thus, the position sensor 110 is configured to determine the location of the selectable content on the at least one page spread when a user places a finger proximate selectable content overlaying the sensor matrices 112, 114.

25 [0029] With reference now to Figs. 1-3, the optical sensors 120 comprise an array of preferably identical optical emitter and optical detector pairs indicated collectively at 122. Seven individual pairs 122a-122g are located in the left hand portion 24 and seven more 122h-122n are located in the right-hand portion 26. The radio frequency oscillating signal generator 132 is cyclically coupled to each individual optical emitter 124 and the synchronous detection circuit 150 is operatively coupled

with each individual optical detector 126 of each pair 122. Preferably, the emitter-detector pairs 122 are mounted upwardly facing in the upper margin of the left portion 24 and right portion 26 of the book well 32. Preferably, but not necessarily, the optical emitters 124 and optical detectors 126 operate in the infra red (IR) portion of the electromagnetic spectrum. However, the emitter-detector pairs 122 could operate at other wavelengths without departing from the scope of the invention.

[0030] In the preferred embodiment shown in Fig. 2, a total of fourteen emitter-detector pairs 122 are provided and are connected to a circuit board 128 included as part of the control electronics in the housing 22. The number of emitter-detector pairs 122 may be more or less than fourteen and is determined by the number of hole locations encoding the page identifiers in the book 60 as will be described. The spacing between the emitter-detector pairs 122 may be uniform or non-uniform provided that they are positioned to be in registry with corresponding hole locations in each book 60. Accordingly, the fourteen emitter-detector pairs 122 are positioned at locations corresponding to fourteen potential hole locations 72a through 72n in each book 60 in use, as will be described with respect to Figs. 4A-7, such that each emitter-detector pair 122a through 122n has within its field of view the hole location 72a through 72n with which it corresponds.

[0031] With reference now to Figs. 1 and 8, the sensor electronics 130 are operatively coupled to the optical sensors 120, the position sensor 110, and the controller 42. The sensor electronics 130, in conjunction with the controller 42 and memory 44, form a set of control electronics configured to synchronize operation of the position sensor 110 and the optical sensor 120. The sensor electronics 130 include the signal oscillator 132, a column driver circuit 134, a first sensor circuit 144 operatively coupled with the left-hand position sensor matrix 112 and a second sensor circuit 146 operatively coupled with the right-hand position sensor matrix 114.

[0032] The sensor electronics 130 further include first and second optical emitter circuits 136, 138, respectively, each operatively coupled to seven optical emitters 124; first and second optical detector circuits 140, 142, respectively, each operatively coupled to seven optical detectors 126; a row select circuit 152; the synchronous detector, multiplexer and filter 150; an optical switch and gate 148; and an analog to digital (A/D) signal converter 154.

[0033] The electronic learning system 10 further preferably comprises cartridge 50. In a preferred embodiment, the cartridge 50 is operatively coupled to the controller 42 by removably inserting the cartridge 50 into the electronic learning device 20. The cartridge 50 is preferably uniquely associated with the book 60. A plurality of cartridge 50 and book 60 sets may be

provided. The cartridge 50 has memory 54 operatively connected to cartridge control circuitry 52. Alternatively, the cartridge 50 could provide only memory 54. Stored in the cartridge memory 54 is software and/or data associated with the content of the book 60.

[0034] Turning now to Figs. 2 and 4A-7, each book 60 is encoded for optical page identification by the sensors 122. The book 60 comprises a plurality of pages and a plurality of successive page spreads defined by the pages. Each page spread is defined either by one side of a page (i.e. outer cover of a closed book) or by both a second (left or even numbered) side of a first page and a first (right or odd numbered) side of a second page. In this illustration, the book 60 comprises fourteen pages and fifteen page spreads but may have more or less than fourteen pages and corresponding page spreads without departing from the scope and spirit of the invention. The plurality of pages is preferably connected by a spine 66 or any other well known binding.

[0035] Figs. 4A-4G depict various page spreads from an exemplary fourteen page book 60. Each of the fourteen pages is identified by reference numerals 62: 62a-62n. Each of the two sides of each page is represented by numerals 64: 64a for the first side (odd numbered page) and 64b for the second side (even numbered page). Page spreads are identified by reference numerals 68: 68a-68o for the fifteen spreads by fourteen pages. Figs. 4A-4G represent various page spreads as the spreads are seen by the user, that is top plan views of the book 60 and the spreads 122.

[0036] With reference to Fig. 4A, in the preferred embodiment of the book 60, a first page spread 68a is formed by a first side 64a of a first page 62a. This is a closed book lying on its rear cover. With reference to Figs. 2 and 4B, a second page spread 68b is formed by a second side 64b of the first page 62a and a first side 64a of a second page 62b. With reference to Figs. 4C-4G, a third page spread 68c is formed by the second side 64b of the second page 62b and the first side 64a of a third page 62c (Fig. 4C); an eighth page spread 68h is formed by the second side 64b of the seventh page 62g and the first side 64a of an eighth page 62h (Fig. 4D); a ninth page spread 68i is formed by the second side 64b of the eighth page 62h and the first side 64a of a ninth page 62i (Fig. 4E); a tenth page spread 68j is formed by the second side 64b of the ninth page 62i and the first side 64a of a tenth page 62j (Fig. 4F); and a fifteenth page spread 68o is formed by the second side 64b of a fourteenth page 62n (Fig. 4G). Fourth through seventh and eleventh through fourteenth page spreads of the book 60 are not illustrated, but are page spreads formed by the second (or left) side and the first (or right) side, respectively, of corresponding pages similar to the page spreads 68b-68c and 68h-68j shown in Figs. 4B-4F.

[0037] The book 60 further comprises a plurality of page identifiers 82a-82o which are integral in the book 60. Each page identifier is uniquely associated with a corresponding page spread. Each page spread is uniquely encoded so as to be readable by an optical sensor system beneath the book 60. The spreads are encoded by the provision or absence of holes at predetermined location in the spreads, which overlie individual sensors of a sensor system under the book 60. Each page identifier comprises a series of overlayable arrangements of open or closed potential hole locations (hereinafter simply "hole locations"). In a preferred embodiment, the hole locations are positioned within an upper margin of each page to physically lie over the sensors 122a-122o. Alternatively, the hole locations may be positioned within other portions of each page and the sensors repositioned accordingly. As will become apparent from the discussion below, the number of hole locations required for page identifier encoding is dependent on the number of page spreads to be identified and in the preferred encoding scheme is less than half the number of page spreads.

[0038] In the illustrated embodiment, book 60 has fifteen page spreads, identified by reference numerals, collectively by 82 and 82a-82o for individual spreads. Each page is provided with seven hole locations. The first page spread 68a and the fifteenth page spread 68o correspond to the closed book 60 lying on its back cover and its front cover, respectively, and thus are formed by a single page each having seven hole locations. The page spreads between the first page spread 68a and the fifteenth page spread 68o are two-page spreads and therefore have fourteen hole locations indicated by reference numerals, collectively by 72 and individually at 72a through 72n (Fig. 2).

[0039] Each hole location is either an open-hole location 74, or a closed-hole location 76. Optionally, one or more of the closed-hole locations 76 may have a foil 77 with an optical reflectance detectably different than the optical reflectance of an area adjacent the closed-hole location.

[0040] Again, Figs. 4A-4G depict top plan views of some of the spreads as seen by the user rather than the sensor. A first page identifier 82a corresponds to the first page spread 68a (Fig. 4A). The first page identifier 82a is an encoding formed by seven of fourteen possible hole locations (eighth through fourteenth hole locations, 72h through 72n, in the first side 64a of the first page 62a), which are closed. A closed location will reflect light from the emitter 124 of each sensor 122 so as to be detected by the detector 126 of each sensor pair 124/126. A hole or no page over the sensor will not reflect light and will not register on the sensor 122. As will be discussed shortly, various hole locations 72a-72o are eventually closed or covered. Preferably a metallic foil 77 is used to

close a hole location facing open holes in pages 68 adjoining and facing the closed hole to better reflect light from a facing emitter 124 and raise the signal level from the detector 126 sensing the closed hole/foil. The eighth through thirteenth hole locations 72h through 72m are locations of one or more open-holes 74. These overlying foils 77 (represented by a darkened hole location) disposed on closed-hole locations 76 that are located on successive pages beneath the topmost first page 62a. As will be discussed, these open hole 74 and closed hole 77 locations are in accordance with the scheme in Fig. 5, as further discussed below. The fourteenth hole location 72n is a closed-hole 76 covered by a foil 77.

[0041] To summarize Fig. 4A, a user looking down at a closed book 60 on the right-hand side 26 of the device 20 is presented with seven potential hole locations 72h through 72n. The user sees a foil 77 in each location with a series of open holes overlying each foil 77 that decrease in number from left to right (72h to 72n) across the book 60. As will be discussed below, this arrangement occurs because each of the first seven pages 62a-62g has one foil 77 closed hole and one less open hole 76 than the page above it (i.e. previous page).

[0042] The encoding for the first page identifier 82a (Fig. 4A) is best understood in conjunction with the hole location status tabulation of Fig. 5 in which open-hole locations 74 are indicated by the letter "O", closed-hole locations 76 without a foil 77 are indicated by the letter "C", and closed-hole locations 76 with a foil 77 are indicated by the letter "F". (It should be understood that on some other page underlying each open hole location 74 is a foil 77.) For example, the hole location status tabulation in Fig. 5 shows that a foil 77 is present at the eighth hole location 72h of the first page spread 68a on the underlying seventh page 68g. The foil 77 is visible in a top plan view of the book 60 in page spread 68a because an open hole is provided at the eighth hole location 72h in each of the first through sixth pages (68a through 68f) overlying the seventh page 68g. Thus, as stated above, the first page (or front cover) 62a of the book 60 comprises six open-hole locations 74 (for eighth through thirteenth hole locations, 72h through 72m) below each of which is a foil 77 at a successive closed hole location 76 on the successive corresponding underlying pages. The first page 62a further has only one closed-hole location 76 with a foil 77 in the fourteenth hole location 72n.

[0043] Referring to Fig. 4B and Fig. 5, a second page identifier 82b corresponds to the second page spread 68b. The second page spread 68b is a two-page spread. Accordingly, the second page identifier 82b is encoded by fourteen hole locations. The first through seventh hole locations, 72a

through 72g, are located in the upper margin of the second side 64b of the first page 62a. These hole locations are in mirror image registry with the hole locations, 72h through 72n, on the first side 64a of the first page 62a (Fig. 4A), and have in reverse order the same open-hole and closed-hole encoding as the first side 64a of the first page 62a. The only difference is that the first closed-hole location 72a of the second page identifier 82b does not have a foil 77 as does the corresponding fourteenth closed-hole location 72n on the first side 64a of the first page 62a. This is a result of the method of fabrication of the book 60. A foil 77 could have been visibly mounted in the first hole location 72a of the second spread 68b. Indeed, any and every closed (C) location in Fig. 5 could be a foil (F) location and vice versa. The eighth through fourteenth hole locations, 72h through 72n, are located in the upper margin of the first side 64a of the second page 62b. The eighth through twelfth hole locations, 72h through 72l, are open-hole locations 74 in that page 62b. The thirteenth and fourteenth hole locations 72m, 72n are closed-hole locations 76. The thirteenth hole location 72m has a foil 77. The portion of the encoding for the second page identifier 82b on the first side 62a of the second page 62b has one less open-hole location 74 than the encoding for the first page identifier 82a on the first side 64a of the first page 62a.

[0044] Referring to Fig. 4C and Fig. 5, a third page identifier 82c corresponds to the third page spread 68c. The third page spread 68c also is a two-page spread. Accordingly, the third page identifier 82c is encoded by fourteen hole locations. The first through seventh hole locations, 72a through 72g, are located in the upper margin of the second side 64b of the second page 62b, are in mirror image registry with the hole locations 72h through 72l, on the first side 64a of the second page 62b, and have, in reverse order, the same open-hole and closed-hole encoding as the first side 64a of the second page 62b. The closed-hole location 72b of the third page identifier 82c does not have a foil 77. The eighth through fourteenth hole locations, 72h through 72n, are located in the upper margin of the first side 64a of the third page 62c. The eighth through eleventh hole locations, 72h through 72k, are open-hole locations 74 in the page 62c. The twelfth, thirteenth and fourteenth hole locations 72l, 72m, 72n are closed-hole locations 76 in the page 62c. The twelfth hole location 72l has a foil 77. The portion of the encoding for the third page identifier 82c on the first side 64a of the third page 62c has one less open-hole location than the encoding for the second page identifier 82a on the first side 64a of the second page 62b.

[0045] For brevity, the fourth through seventh page spreads for the book 60 are not shown, as those skilled in the art will understand from the encoding of the fourth through seventh page

identifiers, 82d through 82g, shown in Fig. 5, that the encoding for each successive page identifier decreases in a total number of open-hole locations by at least one open-hole location and that the location of the foil shifts inwardly one hole position for each page 68d-68g.

5 [0046] Referring to Fig. 4D and Fig. 5, an eighth page identifier 82h corresponds to the eighth page spread 68h. The eighth page spread 68h is a two-page spread having the eighth page spread identifier 82h encoded by fourteen hole locations, each of which is a closed-hole location 76. Those skilled in the art will understand that the eighth page spread 68h is a separator page that partitions the encoding scheme of the present invention into a first sequence of page identifiers comprising an overlayable arrangement of open-hole and closed-hole locations in which each successive
10 arrangement of the first sequence decreases in a first total number of open-hole locations by at least one open-hole location, as discussed above, and a second sequence of page identifiers comprising overlayable arrangements of open-hole and closed-hole locations in which each successive arrangement of the second sequence increases in a second total number of open-hole locations by at least one open-hole location, as discussed below.

15 [0047] Referring to Fig. 4E and Fig. 5, a ninth page identifier 82i corresponds to the ninth page spread 68i. The ninth page spread 68i is a two-page spread. Accordingly, the ninth page identifier 82i is encoded by fourteen hole locations. The first through seventh hole locations, 72a through 72g, are located in the upper margin of the second side 64b of the eighth page 62h, are in mirror image registry with the hole locations, 72h through 72n, on the first side 64a of the eighth page 62h,
20 and are all closed-hole locations 76. The seventh hole location 72g is a closed-hole location 76 with a foil 77. The eighth through fourteenth hole locations, 72h through 72n, are located in the upper margin of the first side 64a of the ninth page 62i. The eighth hole location 72h is an open-hole location 74. The ninth through fourteenth hole locations, 72i through 72n, are closed-hole locations 76. The portion of the encoding for the ninth page identifier 82i on the first side 62a of the ninth
25 page 62i has one more open-hole location 74 (at 72h) than does the encoding for the eighth page identifier 82h on the first side 64a of the eighth page 62h (Fig. 4D).

[0048] Referring to Fig. 4F and Fig. 5, a tenth page identifier 82j corresponds to the tenth page spread 68j. The tenth page spread 68j also is a two-page spread. Accordingly, the tenth page identifier 82j is encoded by fourteen hole locations. The first through seventh hole locations, 72a
30 through 72g, are located in the upper margin of the second side 64b of the ninth page 62i, are in mirror image registry with the hole locations, 72a through 72g, on the first side 64a of the ninth page

62i (Fig. 4E), and have in reverse order the same open-hole and closed-hole encoding as the first side 64a of the ninth page 62i. The sixth hole location 72f of the tenth page identifier 82j is a closed hole-location 76 with a foil 77. The eighth through fourteenth hole locations, 72h through 72n, are located in the upper margin of the first side 64a of the tenth page 62j. The eighth and ninth hole location 72h, 72i are open-hole locations 74. The tenth through fourteenth hole locations, 72j through 72n, are closed-hole locations 76. The portion of the encoding for the tenth page identifier 82j on the first side 62a of the tenth page 62j has one more open-hole location 74 than the encoding for the ninth page identifier 82i on the first side 64a of the ninth page 62i (Fig. 4E).

[0049] For brevity, the eleventh through thirteenth page spreads for the book 60 are not shown, as those skilled in the art will understand from the encoding of the eighth through tenth page identifiers, 82h through 82j, shown in Fig. 5, that the encoding for each successive page identifier increases in a total number of open-hole locations by at least one open-hole location. Also for brevity, the fifteenth page identifier 82o (Fig. 4G) corresponding to the fifteenth page spread 68o has in reverse order substantially the same encoding as the first page identifier 82a and is not further discussed.

[0050] With reference again to Fig. 5, the preferred embodiment of the book 60 comprises a first (or front cover) page spread 68a formed by the first side 64a of the first page 62a, a fifteenth (or back cover) page spread 68o formed by the second side 64b of the fourteenth page 62n, and a plurality of successive page spreads 68b-68n therebetween. Preferably, the plurality of page spreads 68b-68n are formed by a first (right or odd numbered) side of a first corresponding page and a second (left or even numbered) side 64b of a second corresponding page, such as the first side 64a of the second page 62b and the second side 64b of the first page 62a forming the second page spread 68b shown in Fig. 2.

[0051] Stated another way, the book 60 additionally comprises a first sequence 78 of page identifiers 82b-82h (see Fig. 5). Each page identifier 82b-82h is associated with a first corresponding page spread 68b-68h of the plurality of successive page spreads. The first sequence 78 comprises overlayable arrangements of open-hole and closed-hole locations 74(O), 76(F/C), respectively. Each successive arrangement of the first sequence 78 decreases in a first total number of open-hole locations by at least one open-hole location 74. For example, as shown in Fig. 5, for the encoding of the first sequence 78 of page identifiers 82b-82h for a fourteen-page book, the first total number of open-hole locations 74 decreases by two open-hole locations 74 for successive

arrangements corresponding to the page identifiers 82b-82g associated with the second through seventh page spreads 68b-68g and by one open-hole location 74 for the succession from the seventh page spread 68g to the eighth page spread 68h.

[0052] Those skilled in the art will understand from the encoding scheme shown in Fig. 5 that each arrangement of the first sequence of page identifiers has at least one closed-hole location on the first side 64a of the first corresponding page of the first corresponding page spread. The at least one closed-hole location has a first optical reflectance detectably different than a second optical reflectance of a first area adjacent the at least one closed-hole location when provided with a foil 77 in the hole location.

[0053] The book 60 additionally comprises a second sequence 80 of page identifiers 82h-82n. Each page identifier 82h-82n is associated with a second corresponding page spread 68h-68n of the plurality of successive page spreads. The second sequence 80 comprises overlayable arrangements of open-hole and closed-hole locations 74, 76, respectively. Each successive arrangement of the second sequence 80 increases in a second total number of open-hole locations by at least one open-hole location 74. For example, as shown in Fig. 5, for the encoding of the second sequence 80 of page identifiers 82h-82n for a fourteen-page book, the second total number of open-hole locations 74 increases by one open-hole location 74 for the succession from the eighth page spread 68h to the ninth page spread 68i and by two open-hole locations 74 for successive arrangements corresponding to the page identifiers 82i-82n associated with the ninth through fourteenth page spreads 68i-68n.

[0054] Those skilled in the art will understand from the encoding scheme shown in Figs. 4A-5 that each arrangement of the second sequence 80 of page identifiers has at least one closed-hole location on the second side 64b of the second corresponding page of the second corresponding page spread. The at least one closed-hole location has a third optical reflectance detectably different than a fourth optical reflectance of a second area adjacent the at least one closed-hole location. The artisan also will understand from the discussion above that the difference in optical reflectance detectability can be achieved by positioning of the foil 77 or other reflective material at the corresponding one closed-hole location (72g-72a in sequence 80). Accordingly, the first and third optical reflectances can be substantially the same. Similarly, the second and fourth optical reflectances can be substantially the same without departing from the spirit and scope of the invention. Still further, the artisan will understand from the discussion below that the materials or surface treatments provided at the closed-hole locations and in the adjacent areas can be any

combination of materials or surface treatments having the optical reflectance properties required to obtain a desired signal to noise ratio for the optical sensors, also discussed below.

[0055] In use, the electronic learning device 20 is activated using the on/off switch 34, the cartridge 50 is coupled to the electronic learning device 20, the book 60 is placed in the book well 32. The integrated sensor system 100 operates as subsequently described.

[0056] The signal oscillator circuit 132 generates a square wave signal having a frequency of approximately 250 kHz at 3.3 V to the column driver circuit 134. Corresponding pairs of the vertical column conducting lines of the position sensor matrices 112, 114 are excited sequentially from one through sixteen with the square wave signal. The horizontal row conducting lines of each of the matrices 112, 114 are scanned sequentially from one through sixteen during each excitation of one vertical column line. In this manner, each cross-point of the sensor matrices 112, 114 is measured individually. The row select circuit 152 directs the sequential sensing of the sensor circuits 144, 146. The sensor circuits 144, 146 detect signals on the row lines of the sensor matrices 112, 114 and forward the detected signals to the synchronous detector, multiplexer and filter 150.

Thereafter, the detected signals are converted to digital signals by the A/D converter 154 and forwarded to the controller 42 for analysis.

[0057] The measured values of each cross-point are stored in a memory 44 operatively coupled to the controller 42. When a finger or hand is present over the sensor matrices 112, 114, the value of signals received by the sensor circuits 144, 146 is reduced at the location of the finger or hand over individual cross-points. By comparing successive full scans of the sensor matrices 112, 114 for the presence of a finger, the precise location of the finger can be determined.

[0058] The optical emitter and detector circuits 136, 138, 140 and 142 are integrated with the circuitry controlling the successive full scans of the sensor matrices 112 and 114 discussed above in the following manner. Control and synchronization of the optical emitter and detector circuits 136, 138, 140 and 142 with the scanning circuits for the sensor matrices 112, 114 is accomplished by the optical switch and gate 148 under the control of the controller 42. The optical switch and gate 148 enables and disables the row select circuit 152 to allow isolation and independent control of the optical emitter and detector circuits 136, 138, 140 and 142 and the row select circuit 152.

Preferably, but not necessarily, the optical emitter and detector circuits 136, 138, 140 and 142 are activated after each full scan of the sensor matrices 112 and 114.

[0059] Status of the emitter-detector pairs 122 corresponding to first through fourteenth hole locations 72a through 72n of each book 60 is communicated to the controller 42 and decoded by the controller in accordance with a decoding table located in the memory 44 to determine which page spread is visible to the user. For example, the page identifiers for the page spreads for the preferred embodiment of the book 60 discussed above and coded in accordance with the encoding shown in Figs. 4A-4G and Fig. 5 appear to the emitter-detector pairs 122 as shown in Fig. 6A-6G when the book 62 is in the book well 32 and are decoded by the controller 42 in accordance with the decoding table shown in Fig. 7. Figs. 6A-6G represent bottom plan views of the book 60, as seen by the optical detectors 126a-126n associated with optical sensors 122a-122n, respectively, and are nearly mirror images of Figs. 4A-4G. The major difference is that foils are visible to the detectors where simple closed hole locations (C) are visible to the user (Figs. 4A-4G).

[0060] From this disclosure, the artisan will recognize that in addition to the above-described encoding of page identifiers, other page identifiers associated with a supplemental book (not illustrated) having, for example, additional page spreads, may be encoded by arrangements of the open-hole locations 74 and closed-hole locations 76 not used in the first through fifteenth page spreads. For example, with reference to Fig. 7, part of a third sequence 84 of page spreads and corresponding page identifiers having open-hole 74 and closed-hole 76 status as shown can be provided. The page identifiers associated with the third sequence 84 can be detected with the optical sensor 120 in a manner consistent with operation of the first and second sequences page identifiers 78 and 80 described above. Other unique page identifiers in addition to those associated with the first, second and third sequences 78, 80 and 82 are possible. These separate sequences can be used in separate books and data for books having different sequences 78, 80, 84, etc. can be stored in the same cartridge 50.

[0061] Once the electronic learning system 10 has determined which page spread is viewable by the user, the electronic learning device 20 may initiate an interactive play or learning activity with the user. For example, the electronic learning device 20 may prompt the user to identify a particular graphic image by touching the graphic image with his or her finger. The position sensor 110 allows the electronic learning device 20 to recognize the user's response, and respond in an appropriate manner, for example, with an audible response. The user may proceed to turn the book 60 to another page spread and continue the interactive play or learning experience. Preferably, each individual page spread has graphic images relating to a separate theme, and the queries and

responses generated by the electronic learning system 10 correspond to the individual page spread visible to the user. Therefore, a large number of queries and responses corresponding to the plurality of page spreads is possible. Accordingly, the electronic learning system 10 is capable of providing a wide range of play and learning scenarios. From this disclosure, the artisan will
5 recognize that multiple books 60 and corresponding cartridges 50, each directed to a different theme or character, could be provided to further expand the range of play and learning activity possible with the electronic learning system 10.

[0062] The electronic learning system 10 preferably includes multiple functional modes selectable using the position sensor 110. For example, in a first functional mode, the electronic
10 learning system 10 may simply recite a story corresponding to written words disposed on the page or pages of the page spread visible to the user. From this disclosure, the artisan will recognize that other functional modes, for example modes designed to teach words, phonics, spelling and/or counting skills could be provided. The displays 40 may be used to indicate in which functional mode the electronic learning device 20 is operating. Further description of the functional modes
15 may be found in co-pending U.S. Patent Application No. 10/448,583.

[0063] The electronic learning device 20 is preferably capable of audibilizing sound passages without the cartridge 50 inserted into the housing 22 or the book 60 inserted into the book well 32. In a preferred embodiment, a plurality of indicia (not illustrated) corresponding to the English
alphabet are disposed on an upper surface of the book well 32. With the electronic learning device
20 20 turned on, and the cartridge 50 and book 60 removed from the base unit 20, the controller 42 can be configured to respond to a user pressing on the book well 32 to select data corresponding to a sound passage from the base unit memory 44 and to further audibilize the sound passage via the speaker 38. The sound passage might be the name of a letter of the alphabet which the user has just pressed. Alternatively, the sound passage might be a musical note, a series of musical notes, or one
25 or more spoken words.

[0064] From this disclosure, the artisan will recognize that the form of the open holes 74 and closed holes 76 is not limited to the form illustrated in Figs. 2, 4A-4G and 6. Open holes may or may not have a closed perimeter as do the open holes 74 or be individual at each hole location as are the open holes 74 in the first embodiment book 60. With reference now to Fig. 9, a first
30 alternative book 60' is illustrated, showing an upper portion of the second page spread 68b. The inventive concepts illustrated in Fig. 9 are not limited to the second page spread 68b, but apply to

each of the plurality of page spreads. In the first alternative book 60', as is most readily apparent relative with the first page 62a, an elongated open perimeter hole in the form of a cutout 75 elongated proximal a free (upper) edge of the page 62a is made spanning all of the adjacent locations of open holes 74 in the same page of the first embodiment book 60 of Fig. 4B (that is hole locations 72b through 72g). Furthermore, the elongated hole could be provided in the form of an elongated slot with a closed perimeter as is indicated in phantom at 75' in Fig. 9. The artisan will recognize that the elongated hole, cutout 75 or slot 75', is operationally equivalent to the plurality of adjoining individual open holes 74 positioned within the consecutive adjoining hole locations 72b through 72g, as illustrated in Fig. 4B. That is, in operation, the emitter-detector pairs 122 do not distinguish between a single open cutout 75 or slot 75' spanning multiple adjacent open holes 74, for example hole locations 72b-72g corresponding to page identifier 82b, and a plurality of individual open holes 74 in those same hole locations 72b-72g.

[0065] Fig. 9 further illustrates use of elongated openings such as elongated cutouts 75 spanning multiple adjacent open hole locations 74 where multiple pages are stacked on top of one another. A first cutout 75 in second page 62b spans hole locations 72h-72l. A second cutout 75 in third page 62 spans hole locations 72h-72k. A third cutout 75 in fourth page 62d spans hole locations 72h-72j. In a similar manner, a stair-step pattern is formed, with a cutout 75 in seventh page 62g spanning only hole location 72h. Again, each of these elongated cutouts could be replaced by elongated slots (not depicted).

[0066] Finally, with reference now to Fig. 10, a second alternative book 60'' is illustrated, showing an upper portion of the second page spread 68b. As with Fig. 9, the inventive concepts illustrated in Fig. 10 are not limited to the second page spread 68b, but apply to each of the plurality of page spreads. In the second alternative book 60'', an open hole location 74 is formed by an individual open perimeter cutout 79 extending inwardly from a free edge (the top edge) of a given page. In this second alternative book 60'' the individual cutouts 79 have opposing straight walls extending to a radiused innermost end.

[0067] The first and second alternate embodiment books 60' and 60'' of Figs. 9 and 10 serve to illustrate the fundamental point that the open hole locations 74 and closed hole locations 76 can assume a variety of forms. An "open hole" simply indicates that for a given page spread, there is an absence of the page at the open hole location. Thus, when the book 60, 60', 60'' is in an operational position (such as within the book well 32), no portion of the page 68 is positioned such

that the emitter-detector pair 122 detects page structure within its zone of detection. Similarly, a “closed hole” indicates that when the book 60, 60', 60'' is in an operational position (e.g. within the book well 32), a portion of the relevant page of the book 60, 60', 60'' is positioned such that the emitter-detector pair 122 detects the portion of the book/page structure. Within these general
5 constraints, the artisan will recognize that many different arrangements of the open hole locations 74 and closed hole locations 76 are possible. For example, in addition to the alternative arrangements shown in Figs. 9 and 10, the emitter-detectors pairs 122 and the corresponding hole locations 72a-72n could be arranged proximate one of the other free (i.e. non-hinged) edges, the side edges or bottom edge, of the book 60, 60', 60'', or at some other position on the plurality of
10 pages, rather than proximate the top free edge. Furthermore, the page identifier codes could be formed by a combination of multiple alternative forms of the open hole locations and closed hole locations, for example, a combination of the closed perimeter holes 74 of book 60, the open-perimeter cutouts 75 or closed-perimeter slots 75' of the first alternative book 60' and/or the open-perimeter cutouts 79 of the second alternative book 60''. Operation of the electronic learning
15 system 10 is similar regardless of the exact form of the open hole locations 74 and closed hole locations 76.

[0068] From the foregoing it can be seen that the present invention is an electronic learning device capable of receiving a book having a plurality of page spreads, each page spread having a unique page identifier code. The electronic learning device includes an optical page identification
20 system capable of autonomously identifying each page spread without requiring intervention by the user.

[0069] It will be appreciated by those skilled in the art that changes could be made to the embodiments described above without departing from the broad inventive concept thereof. It is understood, therefore, that this invention is not limited to the particular embodiments disclosed, but
25 it is intended to cover modifications within the spirit and scope of the present invention as defined by the appended claims.

CLAIMS

We claim:

1. A book (60, 60', 60'') encoded for optical page identification, the book comprising:
a plurality of successive page spreads (68a-68o) defined by a plurality of pages (62a-
5 62n);
a first sequence (78) of page identifiers (82b-82h), each identifier of the first
sequence being associated with a first corresponding page spread (68b-68h) of the plurality of
successive page spreads, the first sequence comprising overlayable arrangements of adjoining open-
hole (74) and closed-hole (76) locations, each successive arrangement of the first sequence
10 decreasing in a first total number of open-hole locations by at least one open-hole location; and
a second sequence (80) of page identifiers (82h-82n), each identifier of the second
sequence being associated with a second corresponding page spread (68h-68n) of the plurality of
successive page spreads, the second sequence comprising overlayable arrangements of adjoining
open-hole and closed-hole locations, each successive arrangement of the second sequence
15 increasing in a second total number of open-hole locations by at least one open-hole location.
2. The book according to claim 1, wherein each page spread (68b-68n) of the plurality
of successive page spreads has a first corresponding page and a second corresponding page;
each arrangement of the first sequence of page identifiers, has at least one closed-
hole location on the first corresponding page of the first corresponding page spread, the at least one
20 closed-hole location having a first optical reflectance detectably different than a second optical
reflectance of a first area adjacent the at least one closed-hole location; and
each arrangement of the second sequence of page identifiers has at least one closed-
hole location on the second corresponding page of the second corresponding page spread, the at
least one closed-hole location having a third optical reflectance detectably different than a fourth
25 optical reflectance of a second area adjacent the at least one closed-hole location.
3. The book according to claim 1 wherein each open hole location is located on a page
of the plurality of pages and is defined by a closed perimeter opening through the page.
4. The book according to claim 1 wherein each open hole location is located on a page
of the plurality of pages and is defined by a cutout (79) extending inwardly from a proximal free
30 edge of the page.

5. The book according to claim 1 wherein multiple open hole locations located adjacently on at least one page of the plurality of pages are defined by a single elongated opening through the one page proximal a free edge of the one page.

6. The book according to claim 5 wherein the single elongated opening is an elongated cutout (75) into a free edge of the page.

7. The book according to claim 5 wherein the single elongated opening is an elongated, closed perimeter slot (75').

8. The book according to claim 1 wherein each open hole location of each page of the plurality of pages is defined by at least part of an opening in the page proximal a free edge of the page.

9. A book (60, 60', 60'') encoded for optical page identification, the book comprising:
a plurality of successive page spreads (68b-68o), each page spread having a first corresponding page and a second corresponding page;
a first sequence (78) of page identifiers (82b-82h), each identifier of the first sequence being associated with a first corresponding page spread (68b-68h) of the plurality of successive page spreads, the first sequence comprising overlayable arrangements of adjoining open-hole (74) and closed-hole (76) locations, each arrangement of the first sequence having at least one closed-hole location on the first page of the first corresponding page spread, the at least one closed-hole location having a first optical reflectance detectably different than a second optical reflectance of a first area adjacent the at least one closed-hole location; and
a second sequence (80) of page identifiers (82h-82n), each identifier of the second sequence being associated with a second corresponding page spread (68h-68n) of the plurality of successive page spreads, the second sequence comprising overlayable arrangements of adjoining open-hole and closed-hole locations, each arrangement of the second sequence having at least one closed-hole location on the second corresponding page of the second corresponding page spread, the at least one closed-hole location having a third optical reflectance detectably different than a fourth optical reflectance of a second area adjacent the at least one closed-hole location.

10. The book according to claim 9, wherein each successive arrangement of the first sequence decreases in a first total number of open-hole locations by at least one open-hole location; and

each successive arrangement of the second sequence increases in a second total number of open-hole locations by at least one open-hole location.

11. An electronic learning device (20) for receiving a book (60, 60', 60'') having a plurality of successive page spreads (68a-68o), at least one page spread having selectable content
5 and an optically readable page identifier, the device comprising:

a housing (22) configured to receive the book;

a position sensor (110) in the housing, the position sensor configured to determine the location of the selectable content on the at least one page spread;

10 an optical sensor (120) in the housing, the optical sensor configured to irradiate and detect the page identifier on the at least one page spread;

control electronics (42, 44, 130) in the housing, the control electronics operatively coupled to the optical sensor and to the position sensor, the control electronics configured to synchronize operation of the position sensor and the optical sensor.

12. The device according to claim 11, wherein the position sensor comprises a plurality
15 of at least touch-responsive, mutually adjoining sensors organized in a two-dimensional array (112), the array being formed by separate and separated first and second sets of generally parallel, individual conductive lines transversely crossing over each other beneath an upper surface of the housing, a radio frequency oscillating signal generator (132) cyclically coupled to individual
20 conductive lines of the first set; and a synchronous detection circuit (150) operatively coupled with the generator and with individual conductive lines of the second set to identify user selected individual cross-points of the first and second sets of lines of the array.

13. The device according to claim 11 wherein the optical sensor comprises an array of optical emitter and optical detector pairs (122), a radio frequency oscillating signal generator (132) cyclically coupled to each individual optical emitter (124), and a synchronous detection circuit
25 (150) operatively coupled with the optical detectors (126).

14. The device according to claim 11 wherein the position sensor comprises a plurality of at least touch-responsive, mutually adjoining sensors organized in a two-dimensional array, the array being formed by separate and separated first and second sets (112, 114) of generally parallel, individual conductive lines transversely crossing over each other beneath an upper surface of the
30 housing, a radio frequency oscillating signal generator (132) cyclically coupled to individual

conductive lines of the first set; and a synchronous detection circuit (150) operatively coupled with the generator and with individual conductive lines of the second set to identify user selected individual cross-points of the first and second sets of lines of the array; and

the optical sensor comprises a plurality of optical emitter and optical detector pairs
5 (122) controlled and synchronized with the operation of the position sensor by an optical switch and gate (148) under the control of the control electronics in the housing.

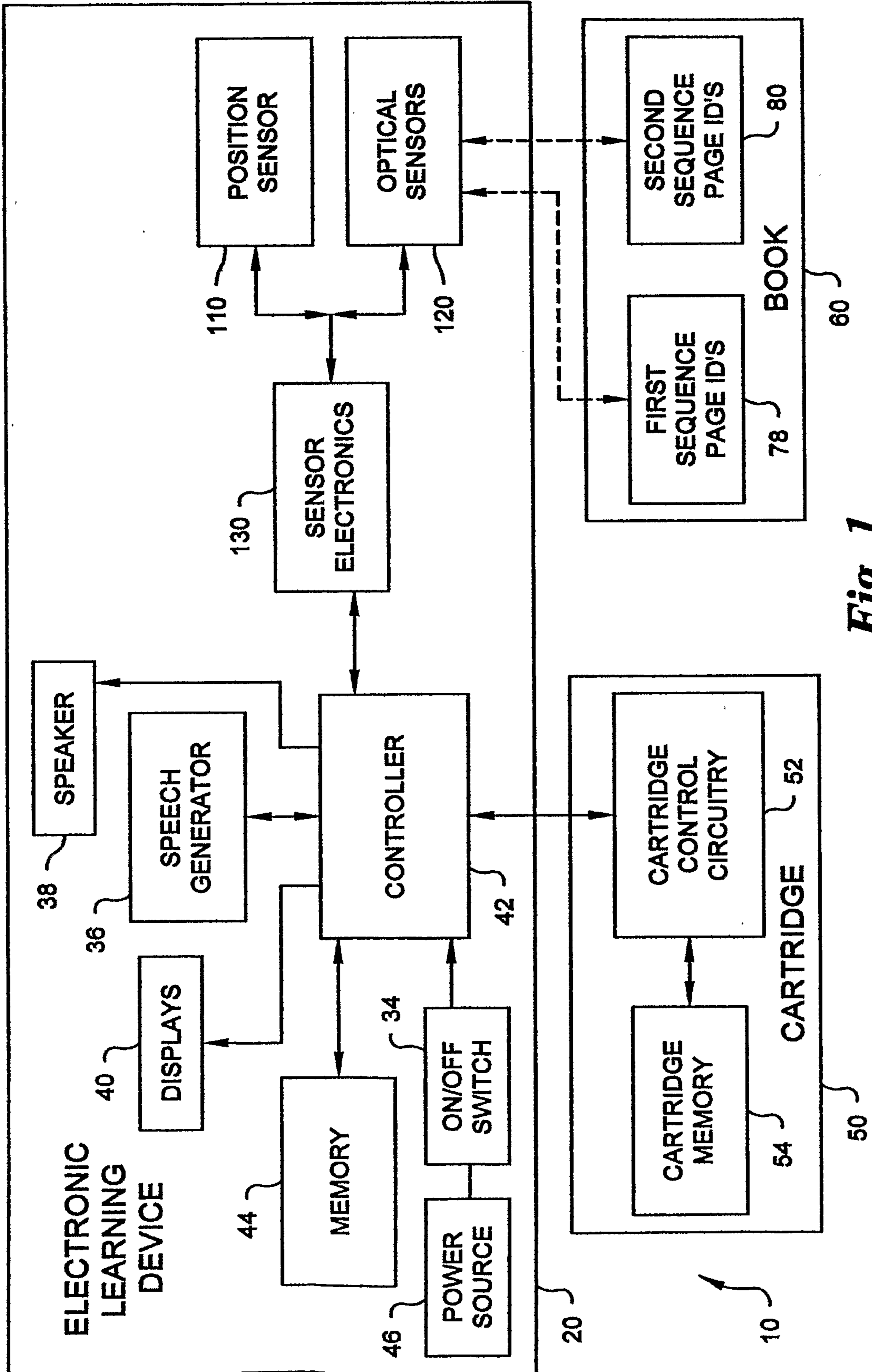


Fig. 1

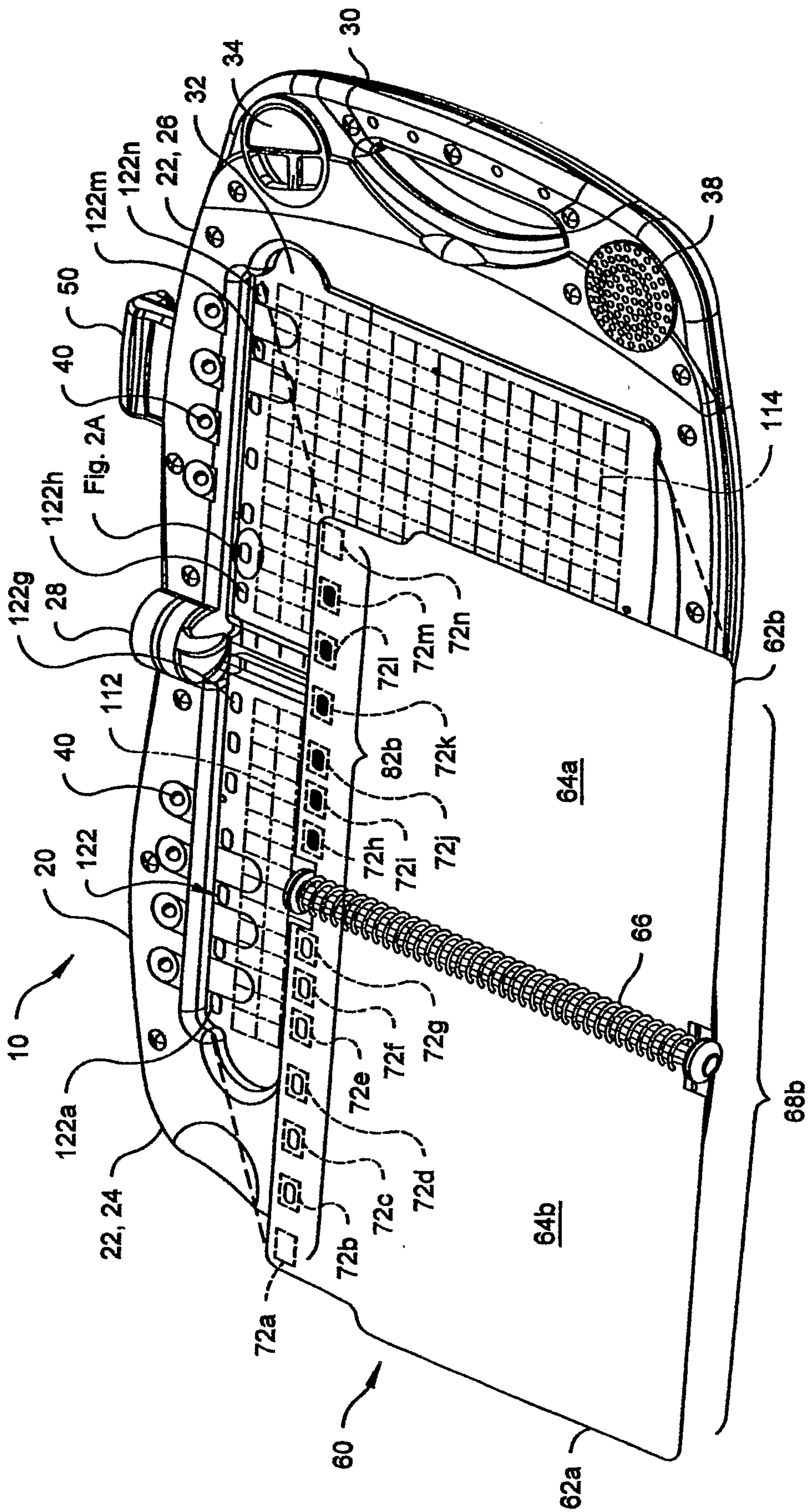


Fig. 2

3/9

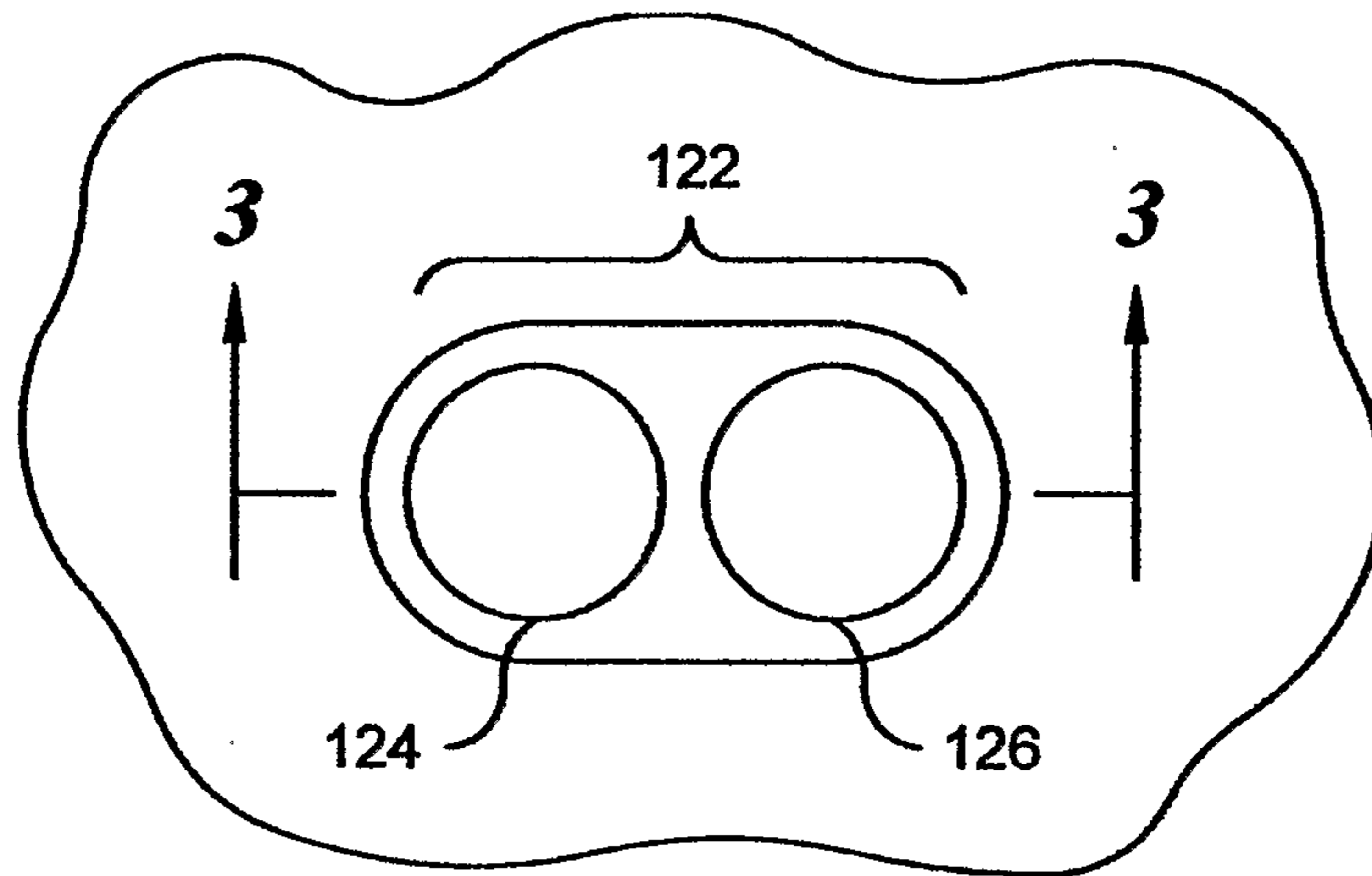
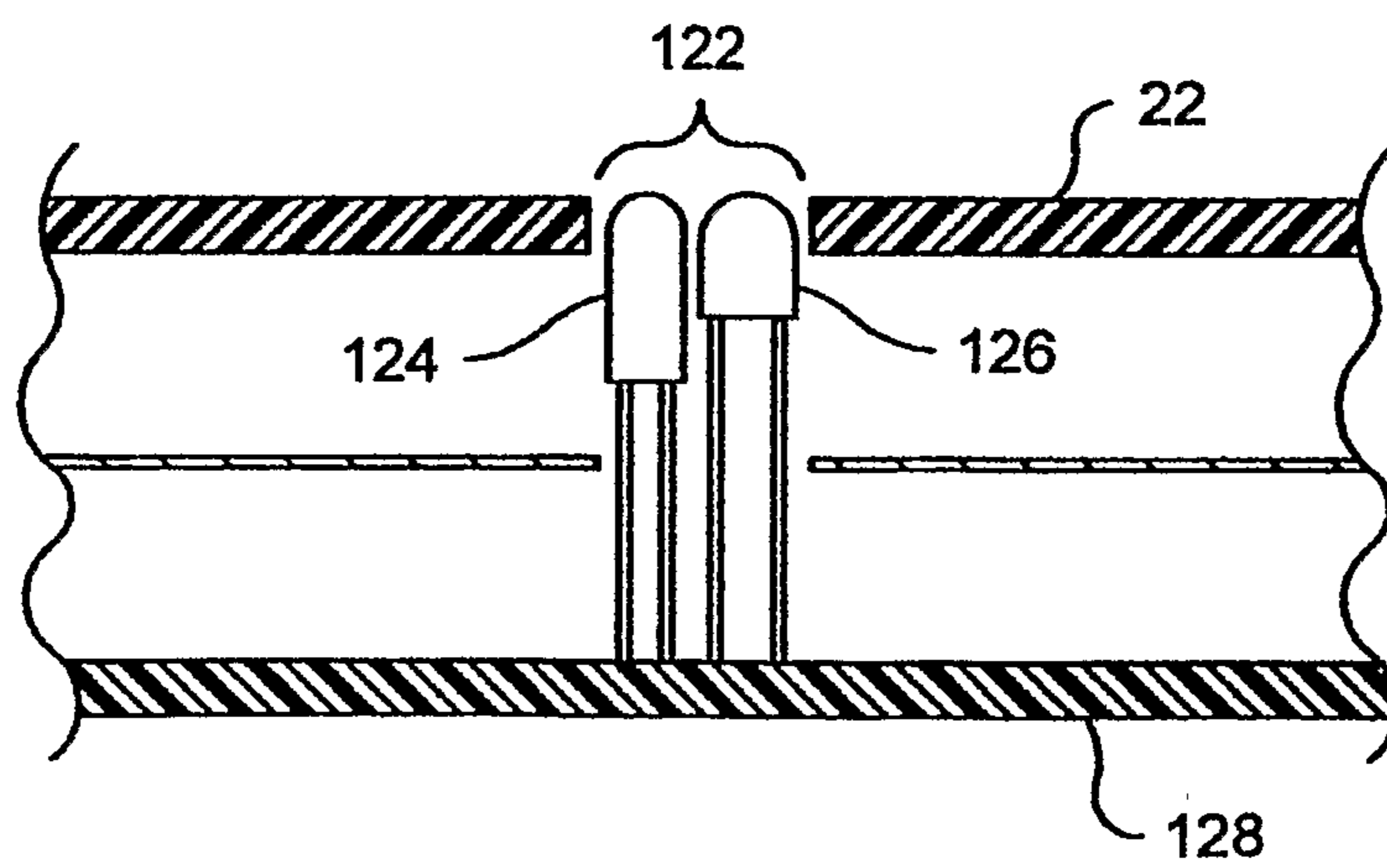
*Fig. 2A**Fig. 3*

Fig. 4A

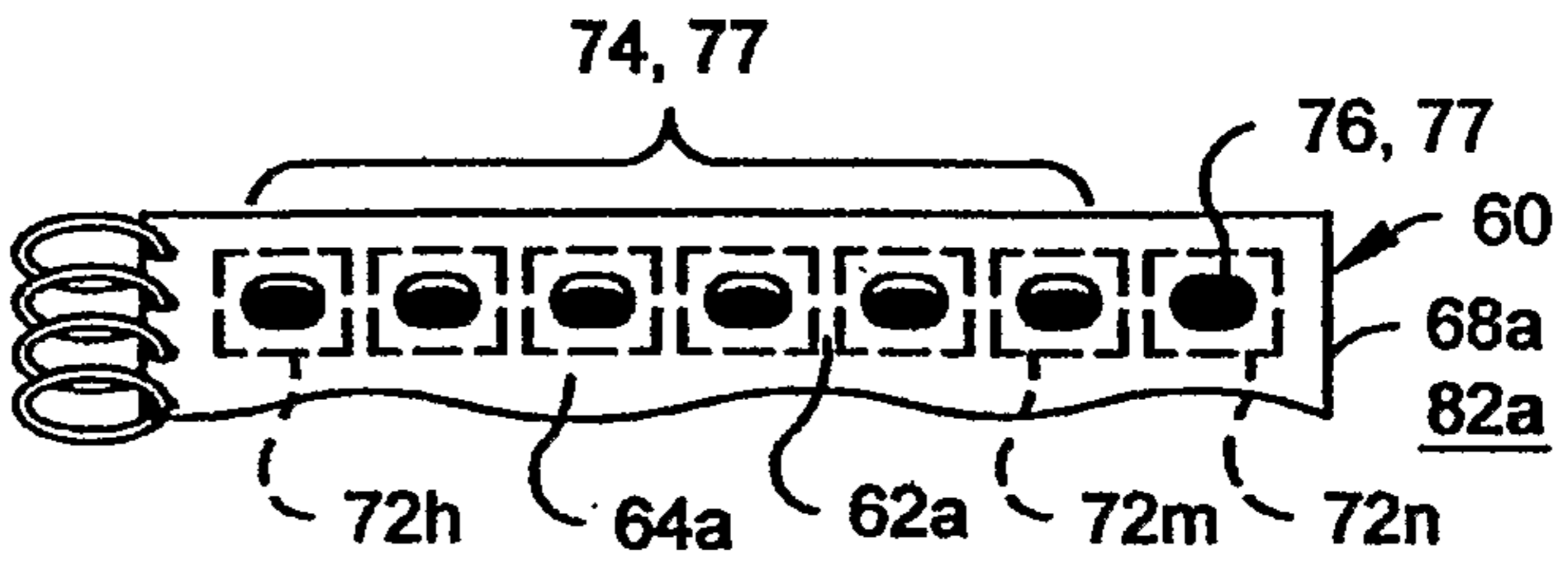


Fig. 4B

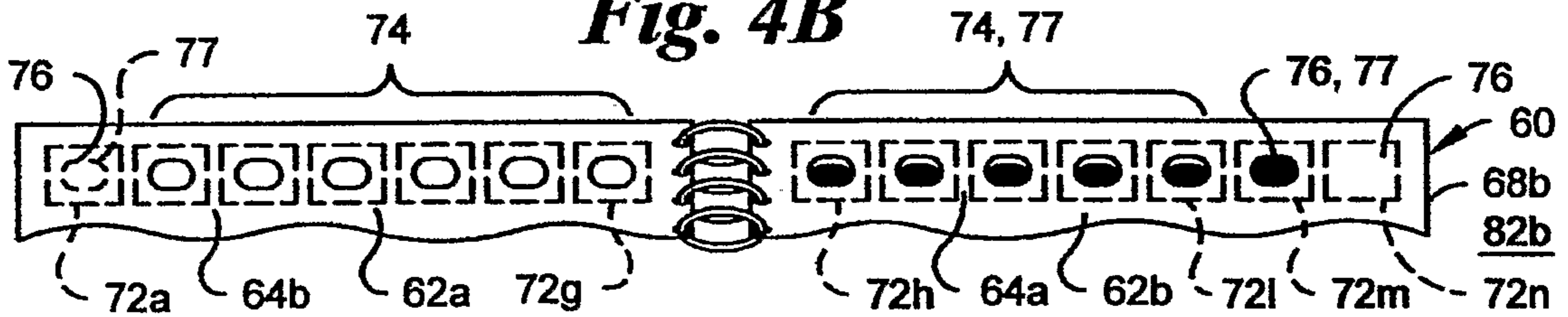


Fig. 4C

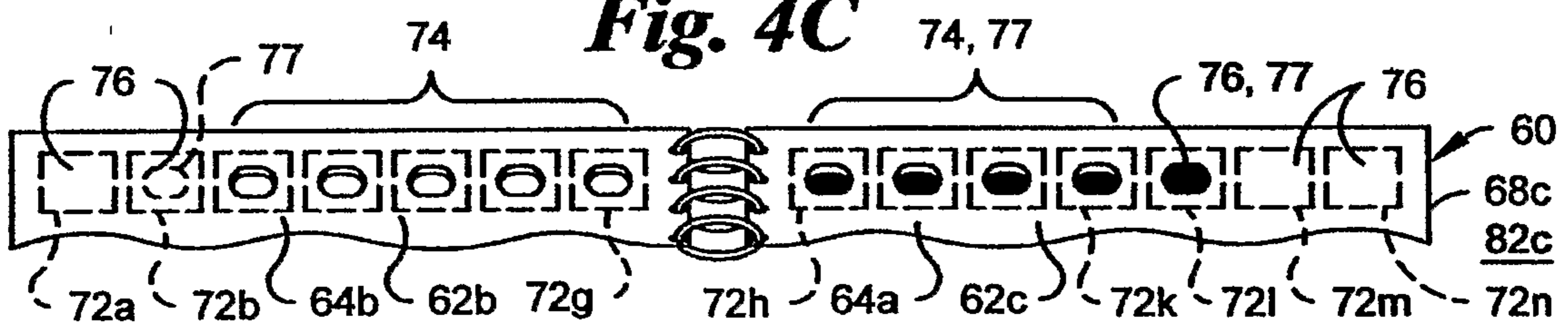


Fig. 4D

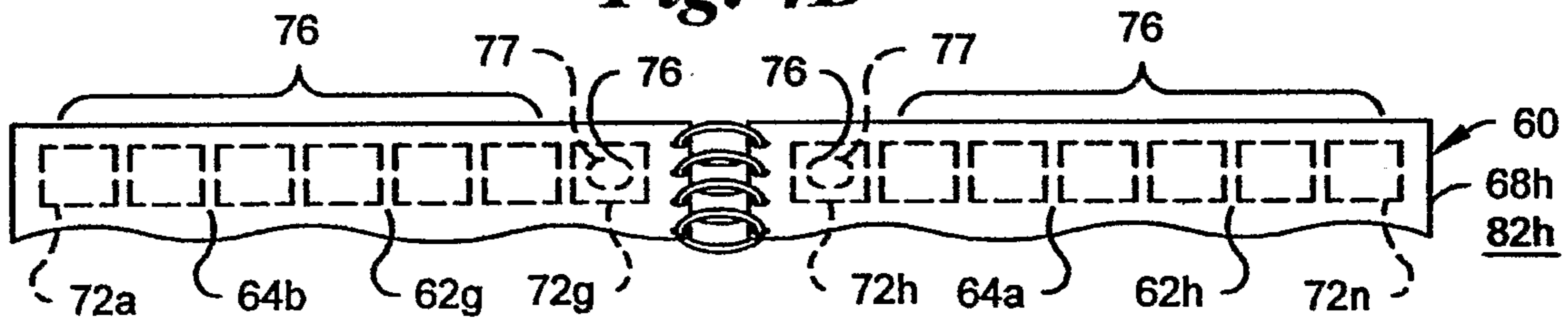


Fig. 4E

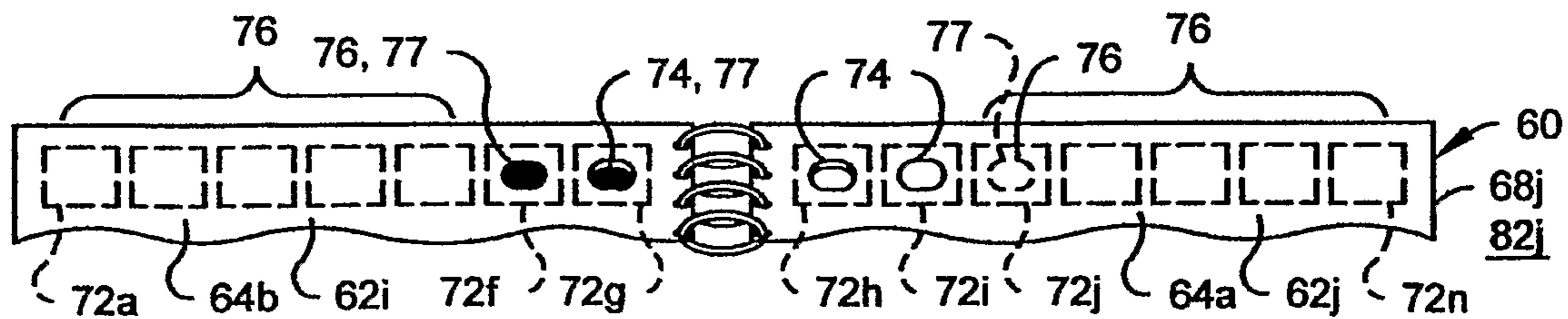
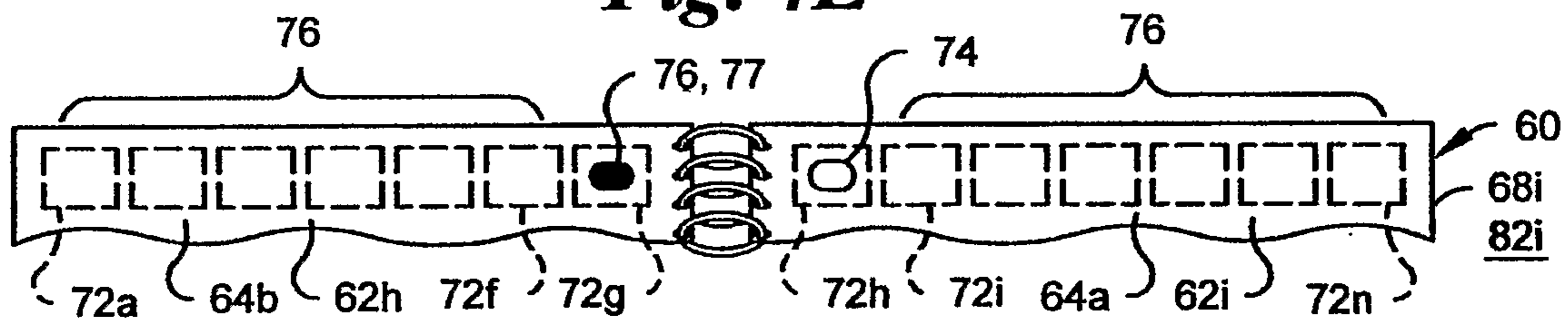


Fig. 4F

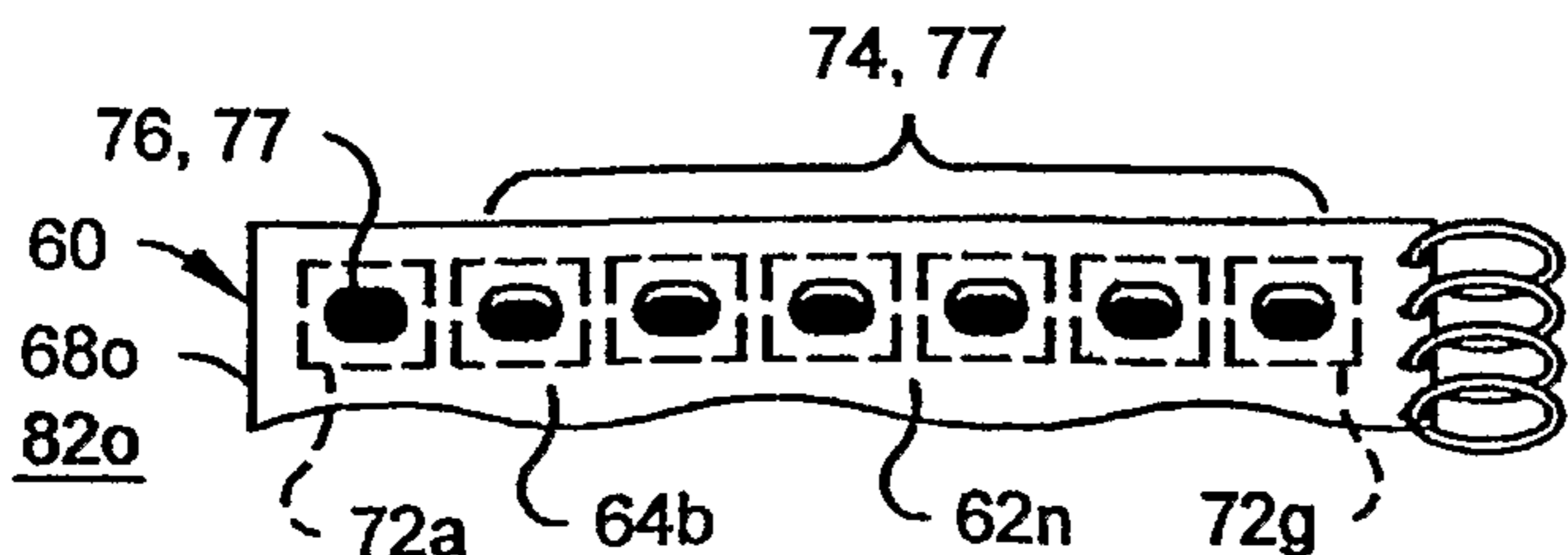


Fig. 4G

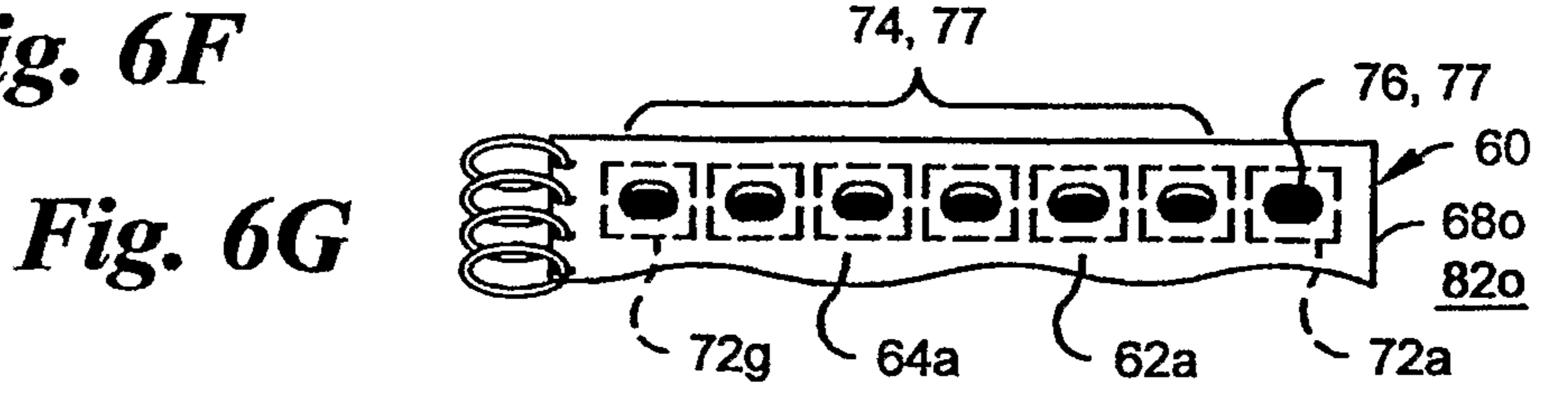
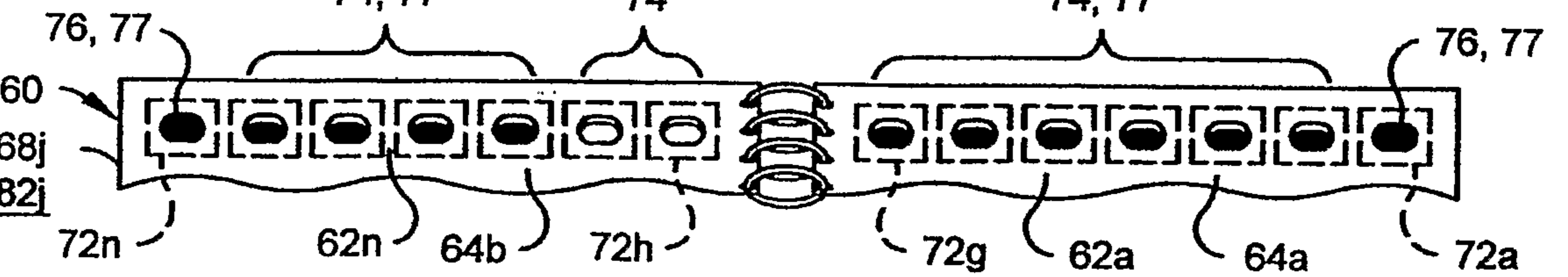
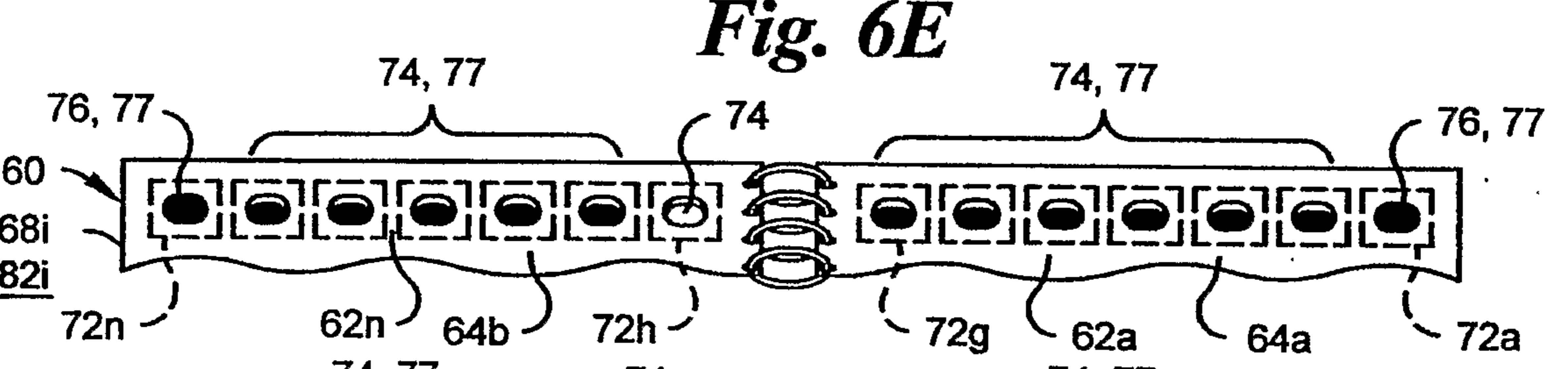
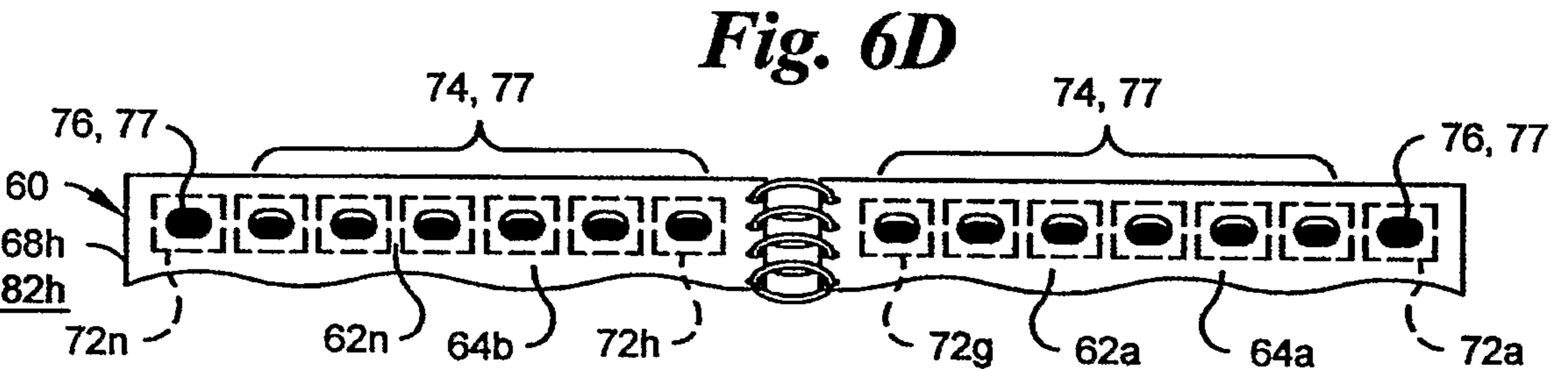
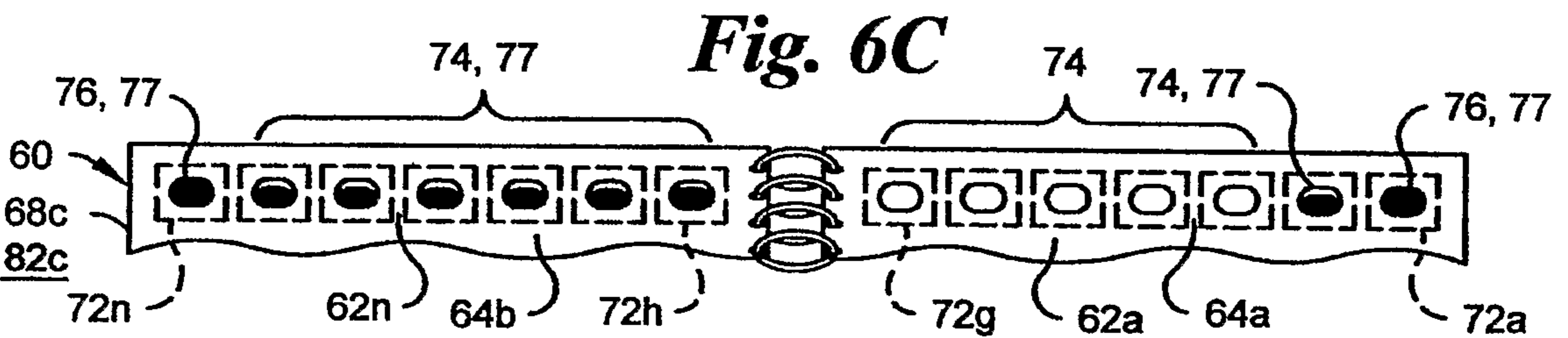
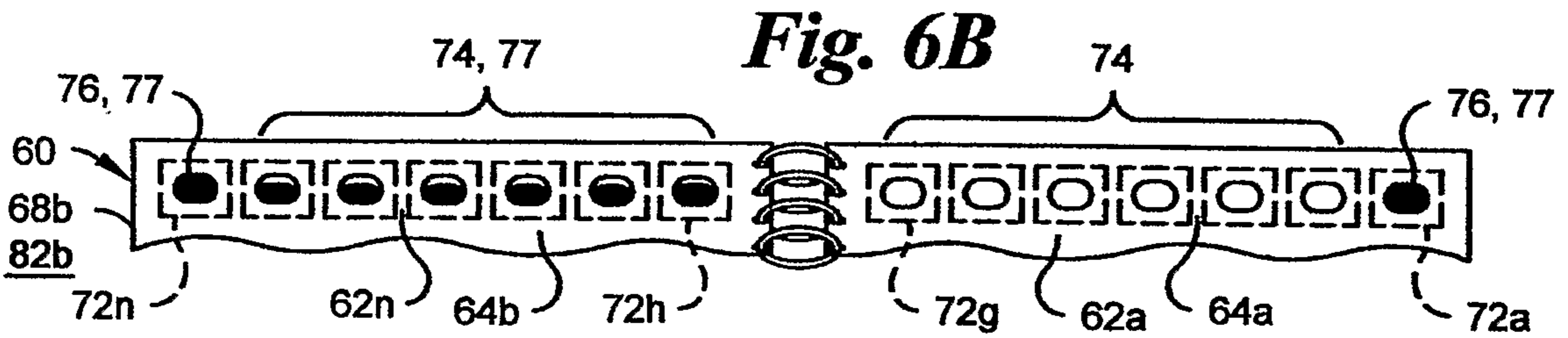
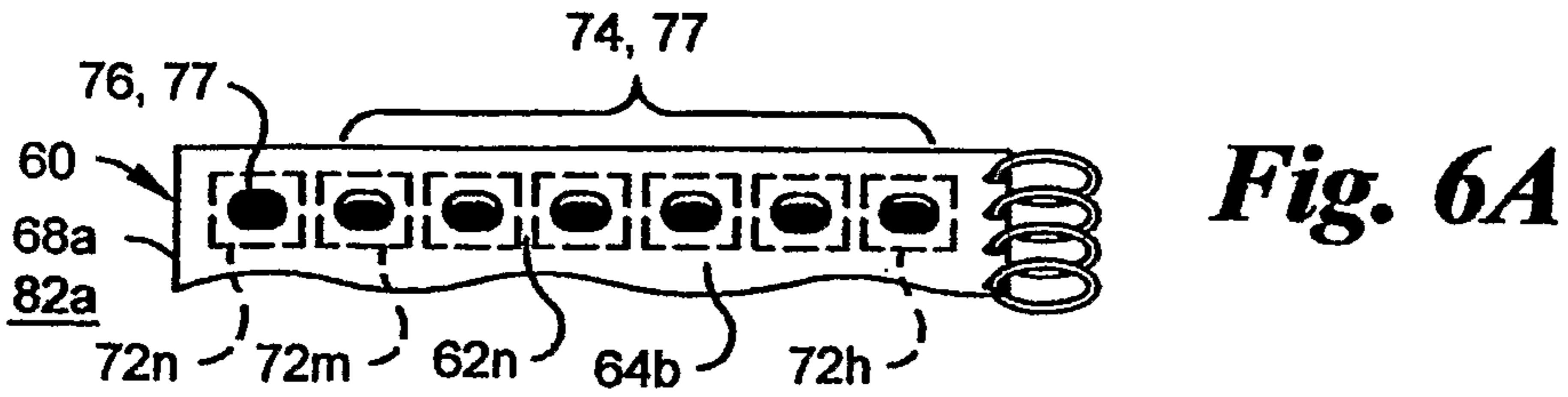
		OPEN-HOLE, CLOSED-HOLE STATUS AT HOLE LOCATIONS 72a THROUGH 72n														
FIRST THROUGH FIFTEENTH PAGE SPREADS, 68a THROUGH 68o	CORRESPONDING FIRST THROUGH FIFTEENTH PAGE IDENTIFIERS, 82a THROUGH 82o	72a	72b	72c	72d	72e	72f	72g	72h	72i	72j	72k	72l	72m	72n	
68a	82a	-	-	-	-	-	-	-	O	O	O	O	O	O	F	
68b	82b	C	O	O	O	O	O	O	O	O	O	O	O	F	C	
68c	82c	C	C	O	O	O	O	O	O	O	O	O	F	C	C	
68d	82d	C	C	C	O	O	O	O	O	O	O	F	C	C	C	
68e	82e	C	C	C	C	O	O	O	O	O	F	C	C	C	C	
68f	82f	C	C	C	C	C	O	O	O	F	C	C	C	C	C	
68g	82g	C	C	C	C	C	C	O	F	C	C	C	C	C	C	
68h	82h	C	C	C	C	C	C	C	C	C	C	C	C	C	C	
68i	82i	C	C	C	C	C	C	F	O	C	C	C	C	C	C	
68j	82j	C	C	C	C	C	F	O	O	O	C	C	C	C	C	
68k	82k	C	C	C	C	F	O	O	O	O	O	C	C	C	C	
68l	82l	C	C	C	F	O	O	O	O	O	O	O	C	C	C	
68m	82m	C	C	F	O	O	O	O	O	O	O	O	O	C	C	
68n	82n	C	F	O	O	O	O	O	O	O	O	O	O	O	C	
68o	82o	F	O	O	O	O	O	O	-	-	-	-	-	-	-	

78

80

O = HOLE IN PAGE
C = NO HOLE IN PAGE
F = FOIL PAD ON CLOSED HOLE OF UPPERMOST PAGE
- = PAGE NOT PRESENT (EQUIVALENT TO OPEN HOLE)

Fig. 5



PAGE SPREADS	CORRESPONDING PAGE IDENTIFIERS	OPEN-HOLE, CLOSED-HOLE STATUS OF HOLE LOCATIONS 72a THROUGH 72n AS SEEN BY DETECTORS 126a-126n													
		72a	72b	72c	72d	72e	72f	72g	72h	72i	72j	72k	72l	72m	72n
68a	82a	O	O	O	O	O	O	C	C	C	C	C	C	C	C
68b	82b	C	O	O	O	O	O	C	C	C	C	C	C	C	C
68c	82c	C	C	O	O	O	O	C	C	C	C	C	C	C	C
68d	82d	C	C	C	O	O	O	C	C	C	C	C	C	C	C
68e	82e	C	C	C	C	O	O	C	C	C	C	C	C	C	C
68f	82f	C	C	C	C	O	O	C	C	C	C	C	C	C	C
68g	82g	C	C	C	C	C	O	C	C	C	C	C	C	C	C
68h	82h	C	C	C	C	C	C	C	C	C	C	C	C	C	C
68i	82i	C	C	C	C	C	C	O	C	C	C	C	C	C	C
68j	82j	C	C	C	C	C	C	O	O	C	C	C	C	C	C
68k	82k	C	C	C	C	C	C	O	O	O	C	C	C	C	C
68l	82l	C	C	C	C	C	C	O	O	O	O	C	C	C	C
68m	82m	C	C	C	C	C	C	O	O	O	O	O	C	C	C
68n	82n	C	C	C	C	C	C	O	O	O	O	O	O	C	C
68o	82o	C	C	C	C	C	C	O	O	O	O	O	O	O	O
68x	82x	C	O	O	O	C	C	C	C	C	C	C	C	C	C
68y	82y	C	O	O	C	C	C	C	C	C	C	C	C	C	C
68z	82z	C	O	C	C	C	C	C	C	C	C	C	C	C	C

78

80

84

O = HOLE OPEN, DETECTOR VOLTAGE BELOW THRESHOLD
C = HOLE CLOSED, DETECTOR VOLTAGE ABOVE THRESHOLD

Fig. 7

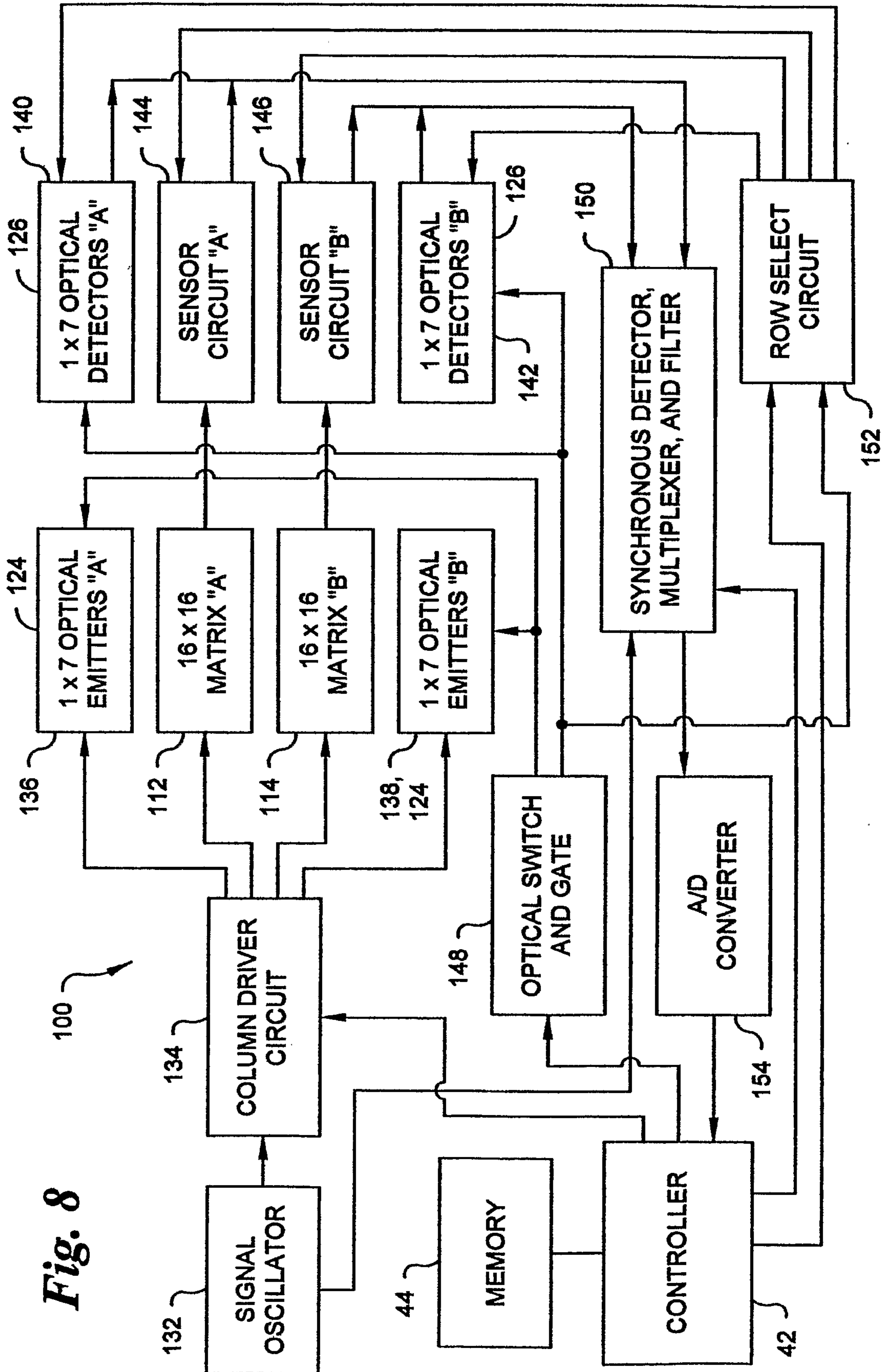


Fig. 8

Fig. 9

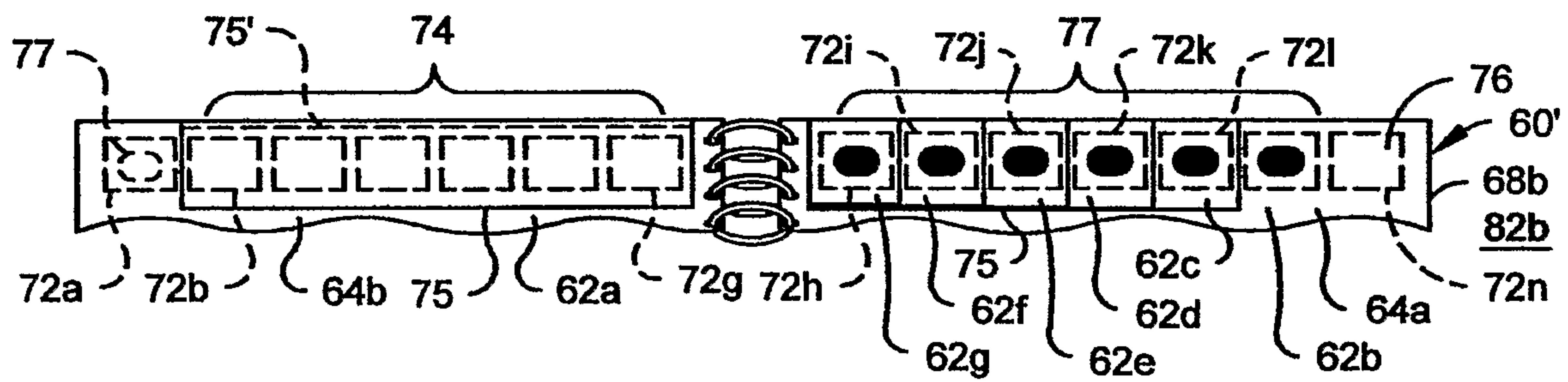


Fig. 10

