

⑫

EUROPEAN PATENT APPLICATION

⑰ Application number: **88117853.7**

⑤① Int. Cl.4: **G21F 5/00**

⑱ Date of filing: **26.10.88**

⑳ Priority: **23.11.87 US 124318**

㉓ Date of publication of application:
31.05.89 Bulletin 89/22

㉔ Designated Contracting States:
BE DE ES FR GB IT SE

㉘ Date of deferred publication of the search report:
29.11.89 Bulletin 89/48

㉙ Applicant: **WESTINGHOUSE ELECTRIC CORPORATION**
Westinghouse Building Gateway Center
Pittsburgh Pennsylvania 15222(US)

㉚ Inventor: **Gilmore, Charles Brent**
212 Woodlands West
Columbia, SC 29223(US)

Inventor: **Kisak, James Leonard**
932 Mt. Hood Drive
Pittsburgh, PA 15239(US)

Inventor: **Oberst, Jeffrey Philip**
421 Ricciuti Court
Pittsburgh, PA 15235(US)

Inventor: **Baloh, Frank Joseph**
R.D. No.1
Dawson, PA 15428(US)

Inventor: **Wood, John Denithorne**
884 Dogwood Lane
Greensburg, PA 15601(US)

㉛ Representative: **Patentanwälte Dipl.-Ing. R. Holzer Dipl.-Ing. (FH) W. Gallo**
Ludwigstrasse 26
D-8900 Augsburg(DE)

⑤④ **Nuclear reactor core component shipping container.**

EP 0 317 781 A3
⑤⑦ The shipping container (68) comprises a rigid tubular body (70) designed to accommodate a plurality of elongate members (e.g. control rods 44) forming part of the core component (e.g. a control-rod assembly 42); a rigid plate-like member (128) disposed at the open top of the tubular body for seating mounting structure (e.g. a spider subassembly 48) of the core component; tubes (74) supported within the tubular body and extending beneath the plate-like member in axial alignment with openings (130) formed therein for allowing the elongate members to be inserted into the respective tubes (74) so as to be laterally stabilized therein; and a rigid, substantially cylindrical, hollow lid (72) removably mountable on,

and releasably latchable to, the tubular body (70) so as to enclose the mounting structure (48) seated on the plate-like member (128).

Said shipping-container parts (70,72,74 and 128) preferably are made of a plastics material, and the tubes (74) preferably are supported by means of spacers (76) made of foam plastics material.

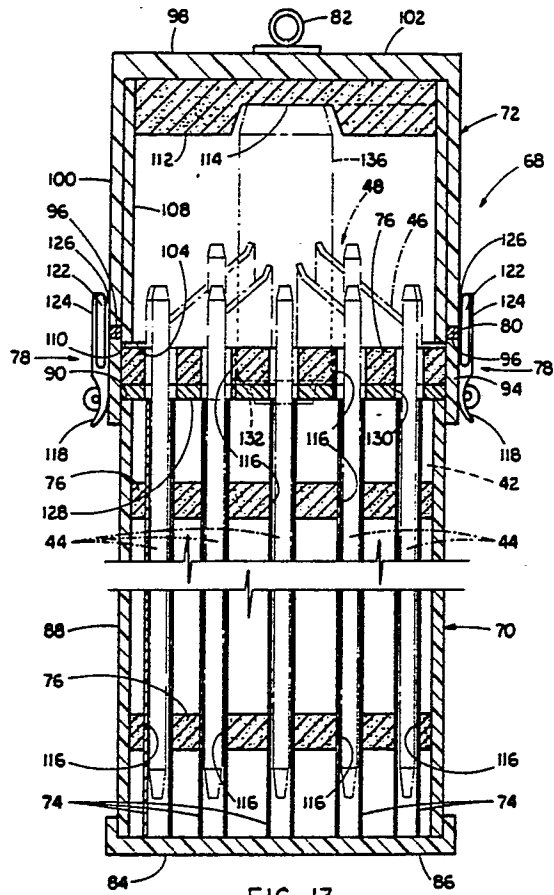


FIG. 13



DOCUMENTS CONSIDERED TO BE RELEVANT			
Category	Citation of document with indication, where appropriate, of relevant passages	Relevant to claim	CLASSIFICATION OF THE APPLICATION (Int. Cl.4)
A	FR-A-2 171 163 (U.K.A.E.A.) * Page 2, lines 1-34; figures 1-3 * ----	1,8	G 21 F 5/00
A	US-A-3 971 955 (HEYER) * Column 2, lines 26-35; figures 4,6 * ----	5,7	
A	US-A-3 935 467 (GABLIN) * Column 2, lines 36-48; column 3, lines 28-36; figures 1-3 * ----	2-5	
A	FR-A-2 400 751 (WESTINGHOUSE) * Figures 3,4 * -----	1	
			TECHNICAL FIELDS SEARCHED (Int. Cl.4)
			G 21 F 5/00 G 21 C 7/00 G 21 C 19/00
The present search report has been drawn up for all claims			
Place of search THE HAGUE		Date of completion of the search 19-09-1989	Examiner KAVCIC
CATEGORY OF CITED DOCUMENTS X : particularly relevant if taken alone Y : particularly relevant if combined with another document of the same category A : technological background O : non-written disclosure P : intermediate document		T : theory or principle underlying the invention E : earlier patent document, but published on, or after the filing date D : document cited in the application L : document cited for other reasons & : member of the same patent family, corresponding document	