



US 20160078587A1

(19) **United States**

(12) **Patent Application Publication**  
**LEE et al.**

(10) **Pub. No.: US 2016/0078587 A1**  
(43) **Pub. Date: Mar. 17, 2016**

(54) **SYSTEM-ON-CHIP (SOC) DEVICES, DISPLAY DRIVERS AND SOC SYSTEMS INCLUDING THE SAME**

*G09G 5/18* (2006.01)  
*G09G 5/36* (2006.01)  
*G09G 5/39* (2006.01)  
*G09G 3/36* (2006.01)

(71) Applicants: **Jong-Hyup LEE**, Seoul (KR);  
**Kyoung-Man KIM**, Suwon-si (KR)

(52) **U.S. Cl.**  
CPC .. *G06T 1/60* (2013.01); *G09G 5/39* (2013.01);  
*G09G 3/3648* (2013.01); *G09G 3/3685*  
(2013.01); *G09G 5/18* (2013.01); *G09G 5/363*  
(2013.01); *G09G 5/12* (2013.01); *G09G*  
*2330/021* (2013.01); *G09G 2360/18* (2013.01)

(72) Inventors: **Jong-Hyup LEE**, Seoul (KR);  
**Kyoung-Man KIM**, Suwon-si (KR)

(21) Appl. No.: **14/850,270**

(22) Filed: **Sep. 10, 2015**

**Related U.S. Application Data**

(60) Provisional application No. 62/049,508, filed on Sep. 12, 2014.

**Foreign Application Priority Data**

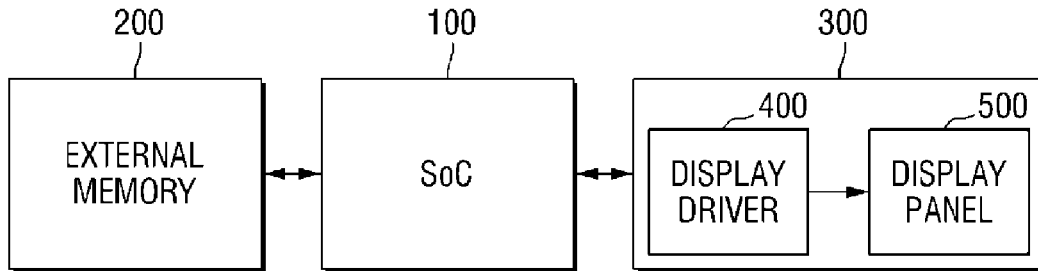
Nov. 27, 2014 (KR) ..... 10-2014-0167569

**Publication Classification**

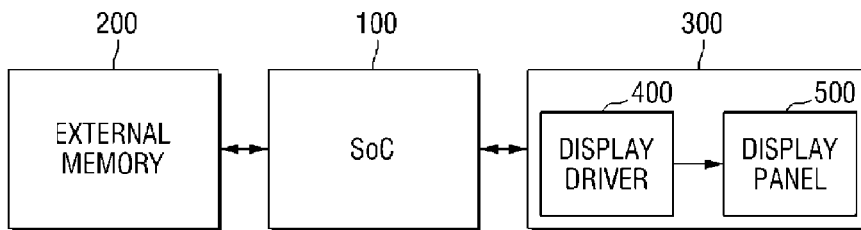
(51) **Int. Cl.**  
*G06T 1/60* (2006.01)  
*G09G 5/12* (2006.01)

(57) **ABSTRACT**

A system-on-chip (SoC) device includes: a display controller configured to receive a trigger signal, and to output image data based on the trigger signal; and a transceiver configured to receive a first interrupt. In a first mode, the display controller is configured to output the image data in synchronization with a pulse of the trigger signal. In a second mode, which is different from the first mode, the display controller is configured to output the image data in synchronization with a pulse included in the trigger signal only after receiving the first interrupt.

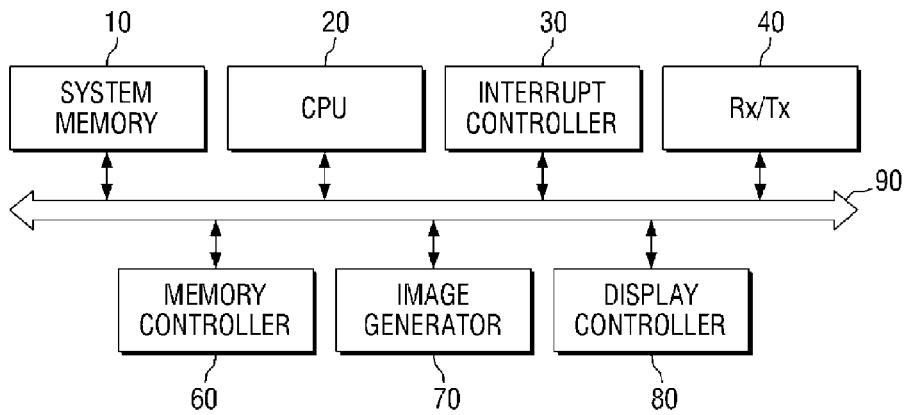


**FIG. 1**



**FIG. 2**

100



**FIG. 3**

400

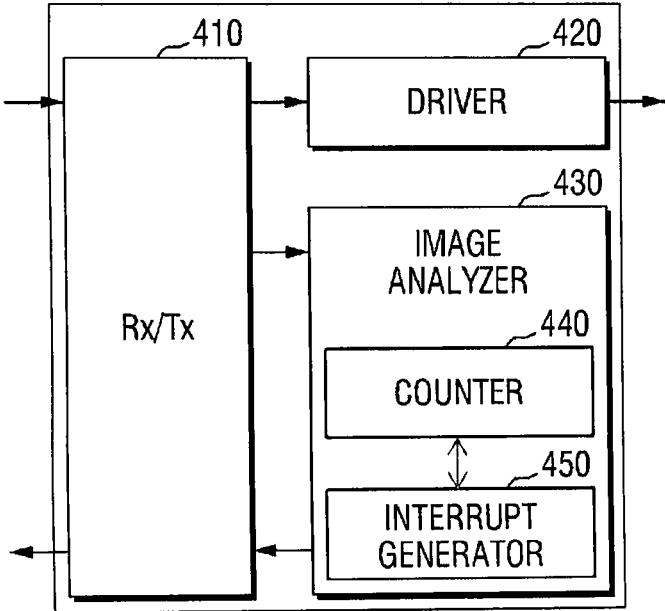


FIG. 4

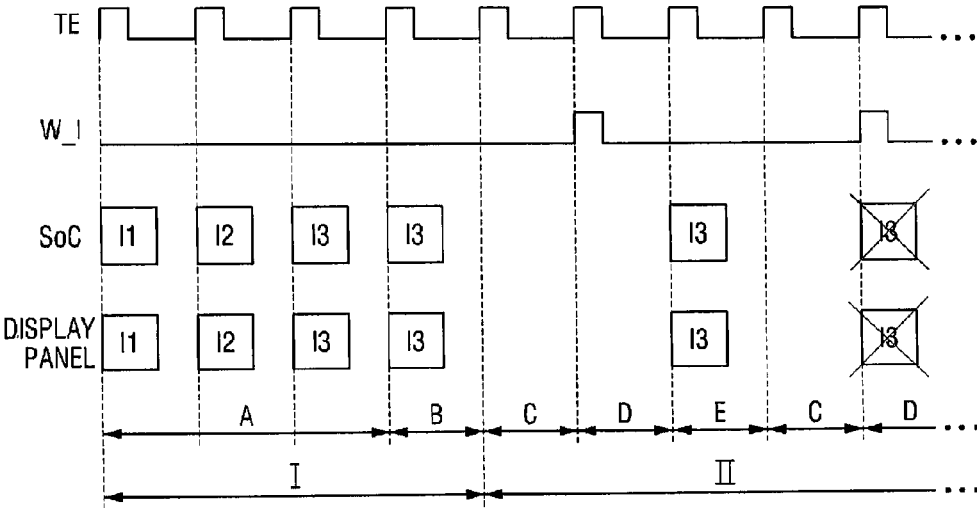


FIG. 5

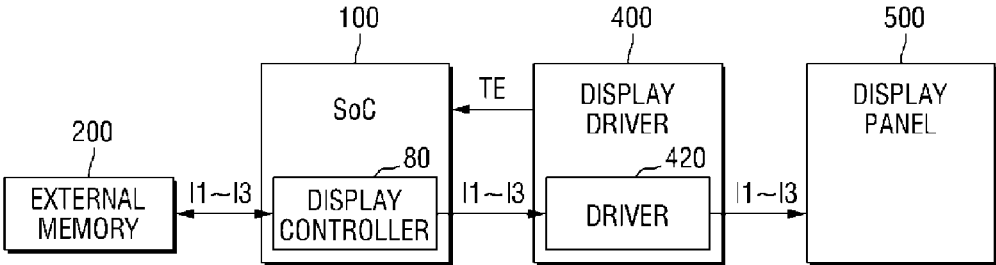


FIG. 6

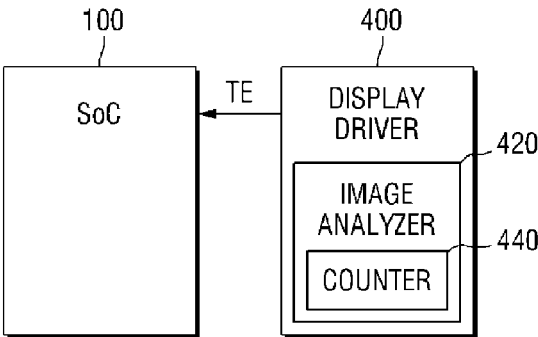
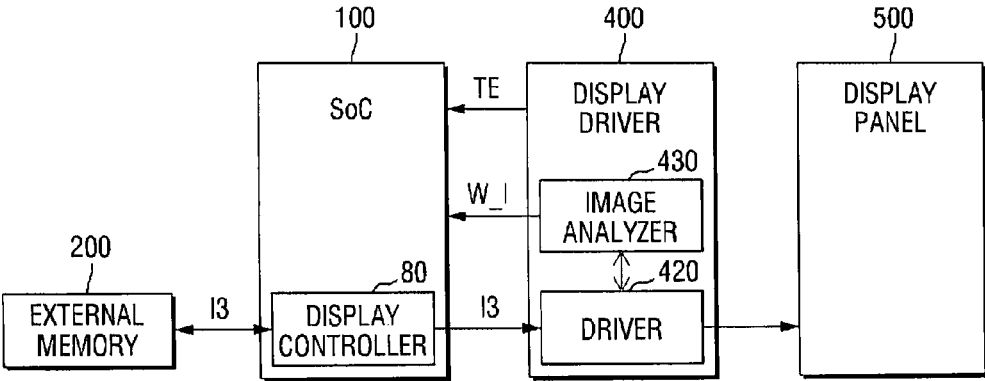
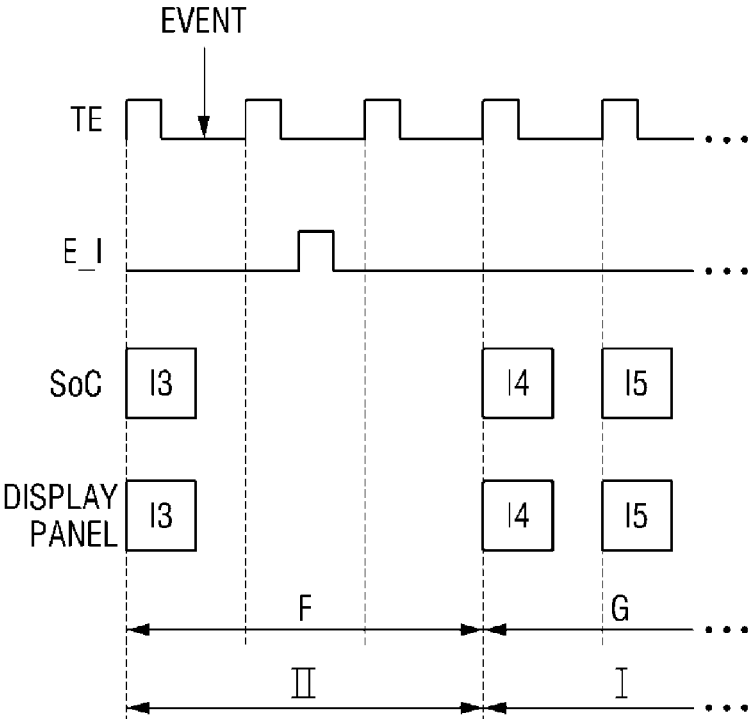


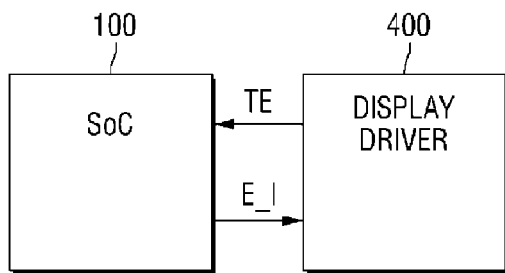
FIG. 7



**FIG. 8**



**FIG. 9**



**FIG. 10**

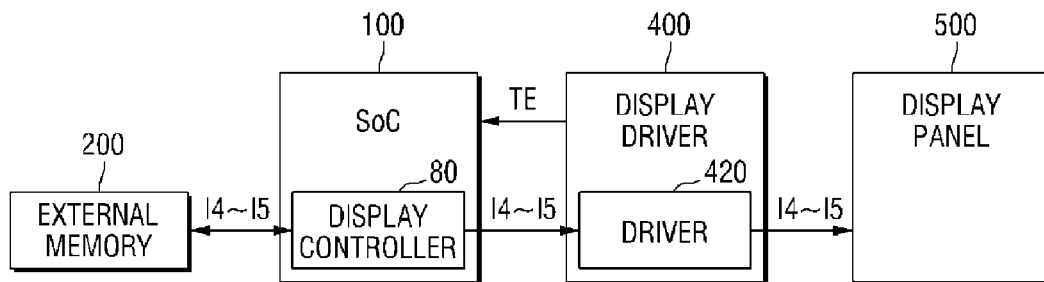
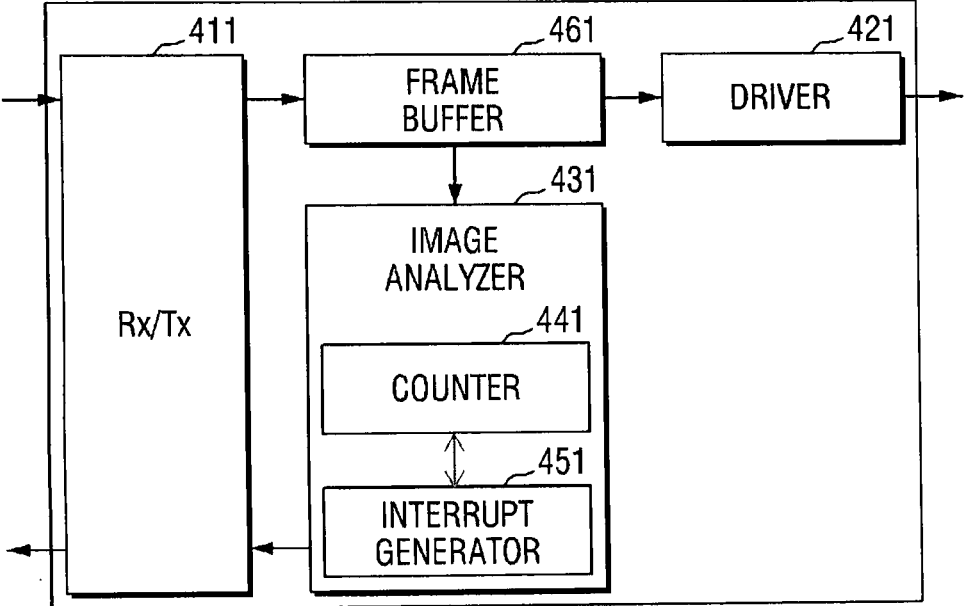




FIG. 11

401



**FIG. 12**

402

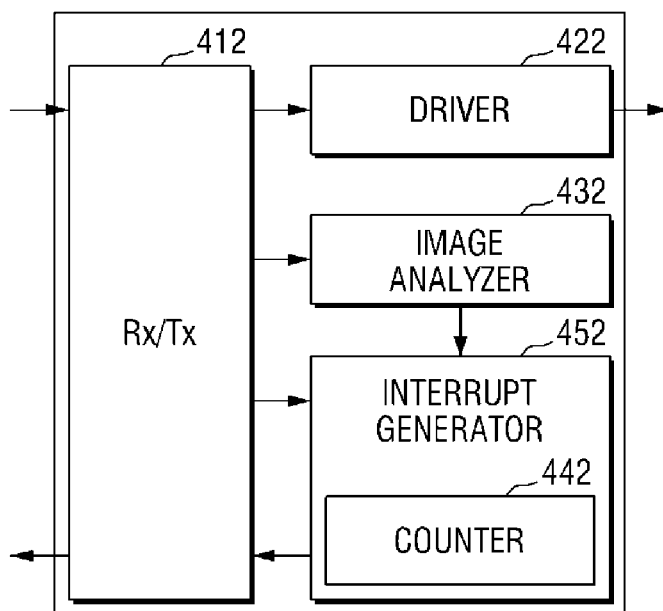
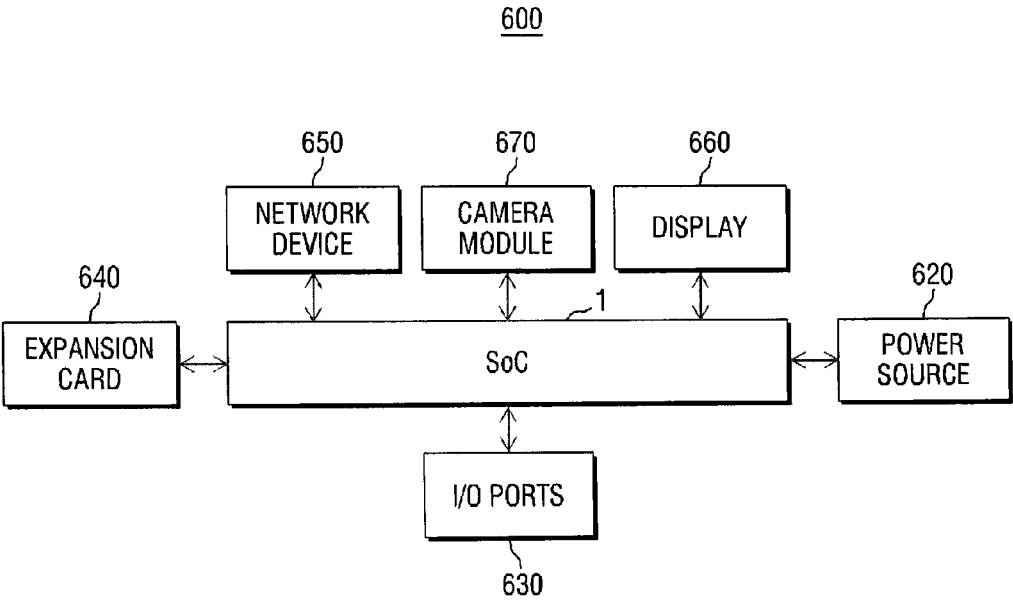
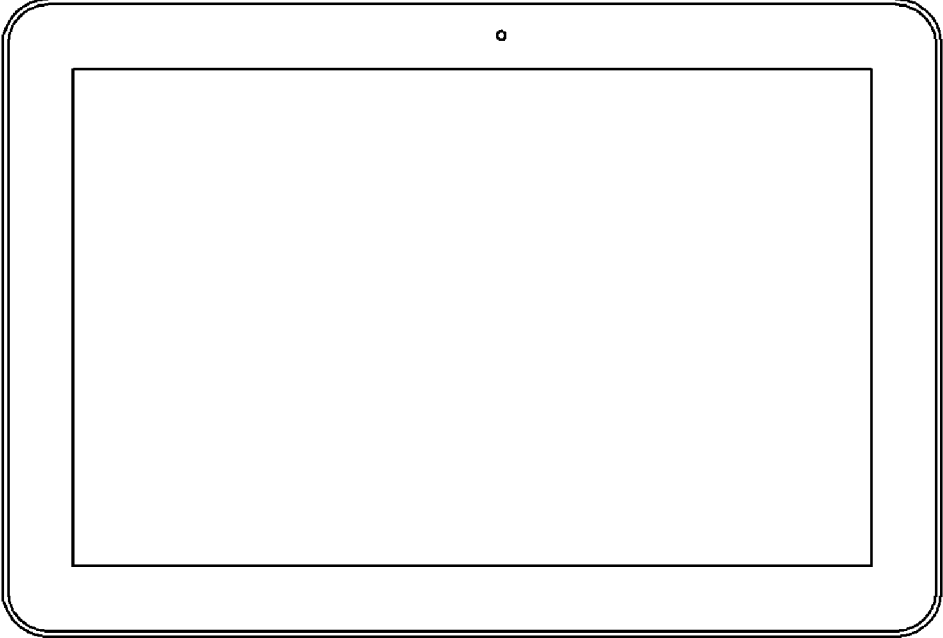


FIG. 13



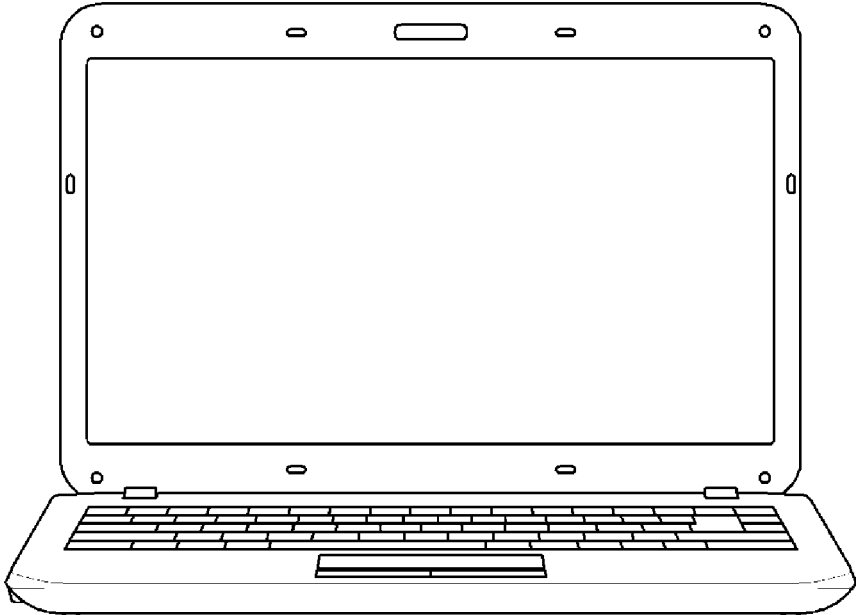
**FIG. 14**

1200



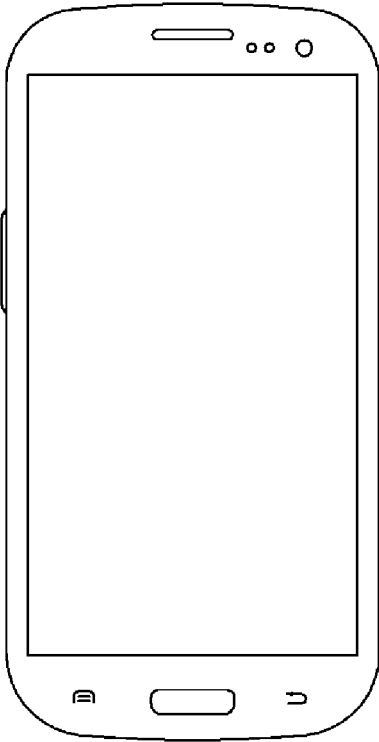
**FIG. 15**

1300



**FIG. 16**

1400



**SYSTEM-ON-CHIP (SOC) DEVICES, DISPLAY DRIVERS AND SOC SYSTEMS INCLUDING THE SAME**

CROSS-REFERENCE TO RELATED APPLICATION(S)

[0001] This application claims priority under 35 U.S.C. § 119 to provisional U.S. Patent Application No. 62/049,508 filed on Sep. 12, 2014 in the U.S. Patent and Trademark Office, and to Korean Patent Application No. 10-2014-0167569 filed on Nov. 27, 2014 in the Korean Intellectual Property Office, the entire contents of each of which are incorporated herein by reference.

BACKGROUND

[0002] 1. Field

[0003] One or more example embodiments of inventive concepts relate to system-on-chip (SoC) devices, display drivers and/or SoC systems comprising the same.

[0004] 2. Description of the Related Art

[0005] With increases in image resolution, data traffic between mobile application processors and display driver integrated circuits (ICs) as well as power consumption by mobile application processors and/or display driver ICs has also increased. Accordingly, research into methods for reducing power consumption is under way.

SUMMARY

[0006] One or more example embodiments of inventive concepts provide system on chip (SoC) devices having reduced power consumption when driven to output images.

[0007] One or more example embodiments of inventive concepts also provide display drivers having reduced power consumption when driven to output images.

[0008] One or more example embodiments of inventive concepts also provide SoC systems having reduced power consumption when driven to output images.

[0009] Inventive concepts will be described in or be apparent from the following description of some example embodiments.

[0010] At least one example embodiment provides a system-on-chip (SoC) device comprising: a display controller configured to receive a trigger signal, and to output image data based on the trigger signal; and a transceiver configured to receive a first interrupt. In a first mode, the display controller is configured to output the image data in synchronization with a pulse of the trigger signal. In a second mode, which is different from the first mode, the display controller is configured to output the image data in synchronization with the pulse of the trigger signal only after receiving the first interrupt.

[0011] According to at least some example embodiments, the image data may include moving image data in the first mode, and/or the image data may include still image data in the second mode.

[0012] In the first mode, the display controller may be configured to output the image data  $n$  times per second, where  $n$  is a natural number. In the second mode, the display controller may be configured to output the image data  $m$  times per second, where  $m$  is a natural number less than  $n$ .

[0013] The transceiver may be further configured to receive the trigger signal from a display driver. The display driver may be configured to generate an image signal based on the

image data output from the display controller, and to supply the generated image signal to a display panel.

[0014] The transceiver may be further configured to receive the first interrupt in synchronization with the trigger signal.

[0015] The transceiver may be configured to receive the first interrupt in synchronization with a first pulse of the trigger signal, and the display controller may be further configured to output the image data in synchronization with a second pulse of the trigger signal, the second pulse being different from the first pulse.

[0016] The image data may be stored in an external memory, and the display controller may be further configured to control the external memory to output the image data in synchronization with the pulse of the trigger signal.

[0017] The display controller may be configured to switch from the first mode to the second mode in response to consecutive output of the same image data  $p$  times in the first mode. In this case,  $p$  is a natural number greater than or equal to 2.

[0018] The display controller may be further configured to operate in the second mode based on the first interrupt received at the transceiver, and the display controller may be further configured to switch from the second mode to the first mode in response to transmission of a second interrupt by the transceiver. The second interrupt may be different from the first interrupt.

[0019] At least one other example embodiment provides a system-on-chip (SoC) device comprising: a display controller configured to receive a trigger signal including  $n$  number of pulses per second, where  $n$  is a natural number, and to output image data based on the received trigger signal; and a transceiver configured to receive an interrupt. In a first mode, the display controller is configured to output the image data  $n$  times per second based on the trigger signal. In a second mode, which is different from the first mode, the display controller is configured to output the image data  $m$  times per second based on the trigger signal and the received interrupt, and  $m$  is a natural number smaller than  $n$ .

[0020] According to at least some example embodiments, the transceiver may be further configured to receive the interrupt  $m$  times per second, and  $m$  may be determined according to the image data.

[0021] In the first mode, the image data may include first image data and second image data, wherein the first image data is different from the second image data. In the second mode, the image data may include third image data and fourth image data, wherein the third image data and the fourth image data may be the same.

[0022] At least one other example embodiment provides a display driver comprising: a driver configured to generate an image signal based on received image data, and to output the generated image signal; and an image analyzer configured. The image analyzer is configured to: determine a frame rate for the image signal based on the image data; generate an interrupt based on the determined frame rate; and output the generated interrupt, the generated interrupt being indicative of a timing for receiving the image data at the driver.

[0023] According to at least some example embodiments, the driver may be further configured to output the generated image signal to a display panel, and the display panel may include a gallium-indium-zinc-oxide (GIZO) panel.

[0024] The display driver may further include a counter to determine an output timing for the generated interrupt.

**[0025]** The display driver may be further configured to output a trigger signal having a plurality of pulses. When the image data is in synchronization with a first of the plurality of pulses, rather than with a second of the plurality of pulses adjacent to the first of the plurality of pulses, the image analyzer may be configured to analyze the image data in synchronization with the first of the plurality of pulses to determine the frame rate for the image signal to be output to the display panel.

**[0026]** The display driver may further include a frame buffer configured to store the received image data. When the image data stored in the frame buffer is not updated at a first timing, the image analyzer may be configured to analyze the image data stored in the frame buffer to determine the frame rate for the image signal to be output to the display panel.

**[0027]** The image data may include still image data.

**[0028]** At least one other example embodiment provides a system-on-chip (SoC) system comprising: a display driver configured to generate an image signal based on image data, and to output the image signal; and a system-on-chip (SoC) device configured to supply the image data to the display driver based on a trigger signal from the display driver. When the image data is first image data, the SoC device is configured to supply the image data to the display driver in response to the trigger signal. When the image data is second image data, which is different from the first image data, the SoC device is configured to: receive an interrupt from the display driver; and output the image data to the display driver in response to the trigger signal and the received interrupt.

**[0029]** The first image data may include moving image data, and the second image data may include still image data.

**[0030]** The display driver may include an image analyzer configured to: analyze the second image data to determine a frame rate for the image signal; generate the interrupt based on the determined frame rate; and output the generated interrupt to the SoC device.

**[0031]** The trigger signal may include a plurality of pulses, and when the image data is in synchronization with a first of the plurality of pulses, rather than with a second of the plurality of pulses adjacent to the first of the plurality of pulses, the image analyzer may be configured to analyze the image data in synchronization with the first of the plurality of pulses to determine the frame rate for the image signal.

**[0032]** At least one other example embodiment provides a system-on-chip (SoC) device comprising a display controller configured to: in the first mode, output image data in synchronization with a plurality of pulses of a received trigger signal; in a second mode, output image data in synchronization with a pulse of the received trigger signal only after receiving a first interrupt signal; and switch from the first mode to the second mode in response to outputting a same image data in synchronization with a threshold number of consecutive pulses of the received trigger signal.

**[0033]** The SoC device may further include an interrupt controller configured to output a second interrupt signal to the display controller in response to an event. The display controller may be further configured to switch from the second mode to the first mode in response to the second interrupt signal. The image data output in the first mode may be moving image data, and the image data output in the second mode may be still image data.

**[0034]** In the first mode, the display controller may be configured to output the image data in synchronization with each of the plurality of pulses of the received trigger signal.

**[0035]** In the second mode, the display controller may be configured to: receive the first interrupt signal during a first time period; and output the image data in synchronization with only a pulse of the trigger signal received during a second time period, the second time period being adjacent to the first time period. The threshold number of consecutive pulses may be greater than or equal to 2.

**[0036]** In the first mode, the display controller may be configured to output the image data at a first frequency, the first frequency corresponding to a frequency of the trigger signal. In the second mode, the display controller may be configured to output the image data at a second frequency, the second frequency being less than the frequency of the trigger signal.

#### BRIEF DESCRIPTION OF THE DRAWINGS

**[0037]** Example embodiments of inventive concepts will become more apparent by describing in detail the example embodiments shown in the attached drawings in which:

**[0038]** FIG. 1 is a block diagram of a system on chip (SoC) system according to an example embodiment of inventive concepts;

**[0039]** FIG. 2 is a block diagram of an example embodiment of the SoC device shown in FIG. 1;

**[0040]** FIG. 3 is a block diagram of an example embodiment of the display driver shown in FIG. 1;

**[0041]** FIGS. 4 to 10 are diagrams illustrating example operation of the example embodiment of the SoC system shown in FIG. 1;

**[0042]** FIG. 11 is a block diagram of a display driver included in a SoC system, according to another example embodiment of inventive concepts;

**[0043]** FIG. 12 is a block diagram of a display driver included in a SoC system, according to still another example embodiment of inventive concepts;

**[0044]** FIG. 13 is a block diagram of a SoC system according to another example embodiment of inventive concepts; and

**[0045]** FIGS. 14 to 16 illustrate an example semiconductor system in which SoC systems according to one or more example embodiments of inventive concepts may be implemented.

#### DETAILED DESCRIPTION

**[0046]** Inventive concepts will become more readily understood by reference to the following detailed description of example embodiments and the accompanying drawings. Inventive concepts may, however, be embodied in many different forms and should not be construed as being limited to the example embodiments set forth herein. Rather, these example embodiments are provided so that this disclosure will be thorough and complete and will fully convey concept of the inventive concepts to those skilled in the art, and the inventive concepts will only be defined by the appended claims. Like reference numerals refer to like elements throughout the specification.

**[0047]** The terminology used herein is for the purpose of describing particular embodiments only and is not intended to be limiting of inventive concepts. As used herein, the singular forms “a”, “an” and “the” are intended to include the plural forms as well, unless the context clearly indicates otherwise. It will be further understood that the terms “comprises,” “comprising,” “includes,” and/or “including,” when used in



this specification, specify the presence of stated features, integers, steps, operations, elements, and/or components, but do not preclude the presence or addition of one or more other features, integers, steps, operations, elements, components, and/or groups thereof.

**[0048]** It will be understood that when an element or layer is referred to as being “on”, “connected to” or “coupled to” another element or layer, it can be directly on, connected or coupled to the other element or layer or intervening elements or layers may be present. In contrast, when an element is referred to as being “directly on”, “directly connected to” or “directly coupled to” another element or layer, there are no intervening elements or layers present. As used herein, the term “and/or” includes any and all combinations of one or more of the associated listed items.

**[0049]** It will be understood that, although the terms first, second, etc. may be used herein to describe various elements, components, regions, layers and/or sections, these elements, components, regions, layers and/or sections should not be limited by these terms. These terms are only used to distinguish one element, component, region, layer or section from another region, layer or section. Thus, a first element, component, region, layer or section discussed below could be termed a second element, component, region, layer or section without departing from the teachings of inventive concepts.

**[0050]** Spatially relative terms, such as “beneath”, “below”, “lower”, “above”, “upper”, and the like, may be used herein for ease of description to describe one element or feature’s relationship to another element(s) or feature(s) as illustrated in the figures. It will be understood that the spatially relative terms are intended to encompass different orientations of the device in use or operation in addition to the orientation depicted in the figures. For example, if the device in the figures is turned over, elements described as “below” or “beneath” other elements or features would then be oriented “above” the other elements or features. Thus, the example term “below” can encompass both an orientation of above and below. The device may be otherwise oriented (rotated 90 degrees or at other orientations) and the spatially relative descriptors used herein interpreted accordingly.

**[0051]** Example embodiments are described herein with reference to cross-section illustrations that are schematic illustrations of idealized embodiments (and intermediate structures). As such, variations from the shapes of the illustrations as a result, for example, of manufacturing techniques and/or tolerances, are to be expected. Thus, these example embodiments should not be construed as limited to the particular shapes of regions illustrated herein, but are to include deviations in shapes that result, for example, from manufacturing. For example, an implanted region illustrated as a rectangle will, typically, have rounded or curved features and/or a gradient of implant concentration at its edges rather than a binary change from implanted to non-implanted region. Likewise, a buried region formed by implantation may result in some implantation in the region between the buried region and the surface through which the implantation takes place. Thus, the regions illustrated in the figures are schematic in nature and their shapes are not intended to illustrate the actual shape of a region of a device and are not intended to limit the scope of inventive concepts.

**[0052]** Unless otherwise defined, all terms (including technical and scientific terms) used herein have the same meaning as commonly understood by one of ordinary skill in the art to which the present inventive concept belongs. It will be further

understood that terms, such as those defined in commonly used dictionaries, should be interpreted as having a meaning that is consistent with their meaning in the context of the relevant art and this specification and will not be interpreted in an idealized or overly formal sense unless expressly so defined herein.

**[0053]** Unless specifically stated otherwise, or as is apparent from the discussion, terms such as “processing” or “computing” or “calculating” or “determining” or “displaying” or the like, refer to the action and processes of a computer system, or similar electronic computing device, that manipulates and transforms data represented as physical, electronic quantities within the computer system’s registers and memories into other data similarly represented as physical quantities within the computer system memories or registers or other such information storage, transmission or display devices.

**[0054]** Specific details are provided in the following description to provide a thorough understanding of example embodiments. However, it will be understood by one of ordinary skill in the art that example embodiments may be practiced without these specific details. For example, systems may be shown in block diagrams so as not to obscure the example embodiments in unnecessary detail. In other instances, well-known processes, structures and techniques may be shown without unnecessary detail in order to avoid obscuring example embodiments.

**[0055]** In the following description, illustrative embodiments may be described with reference to acts and symbolic representations of operations (e.g., in the form of flow charts, flow diagrams, data flow diagrams, structure diagrams, block diagrams, etc.) that may be implemented as program modules or functional processes including routines, programs, objects, components, data structures, etc., that perform particular tasks or implement particular abstract data types. The operations be implemented using existing hardware in existing electronic systems (e.g., display drivers, System-on-Chip (SoC) devices, SoC systems, electronic devices, such as personal digital assistants (PDAs), smartphones, tablet personal computers (PCs), laptop computers, etc.). Such existing hardware may include one or more Central Processing Units (CPUs), digital signal processors (DSPs), application-specific-integrated-circuits (ASICs), SoCs, field programmable gate arrays (FPGAs), computers, or the like.

**[0056]** Further, one or more example embodiments may be (or include) hardware, firmware, hardware executing software, or any combination thereof. Such hardware may include one or more CPUs, SoCs, DSPs, ASICs, FPGAs, computers, or the like, configured as special purpose machines to perform the functions described herein as well as any other well-known functions of these elements. In at least some cases, CPUs, SoCs, DSPs, ASICs and FPGAs may generally be referred to as processing circuits, processors and/or microprocessors.

**[0057]** Although a flow chart may describe operations as a sequential process, many of the operations may be performed in parallel, concurrently or simultaneously. In addition, the order of the operations may be re-arranged. A process may be terminated when its operations are completed, but may also have additional steps not included in the figure. A process may correspond to a method, function, procedure, subroutine, subprogram, etc. When a process corresponds to a function, its termination may correspond to a return of the function to the calling function or the main function.

**[0058]** As disclosed herein, the term “storage medium,” “computer readable storage medium” or “non-transitory computer readable storage medium,” may represent one or more devices for storing data, including read only memory (ROM), random access memory (RAM), magnetic RAM, core memory, magnetic disk storage mediums, optical storage mediums, flash memory devices and/or other tangible machine readable mediums for storing information. The term “computer-readable medium” may include, but is not limited to, portable or fixed storage devices, optical storage devices, and various other mediums capable of storing, containing or carrying instruction(s) and/or data.

**[0059]** Furthermore, at least some portions of example embodiments may be implemented by hardware, software, firmware, middleware, microcode, hardware description languages, or any combination thereof. When implemented in software, firmware, middleware or microcode, the program code or code segments to perform the necessary tasks may be stored in a machine or computer readable medium such as a computer readable storage medium. When implemented in software, processor(s), processing circuit(s), or processing unit(s) may be programmed to perform the necessary tasks, thereby being transformed into special purpose processor(s) or computer(s).

**[0060]** A code segment may represent a procedure, function, subprogram, program, routine, subroutine, module, software package, class, or any combination of instructions, data structures or program statements. A code segment may be coupled to another code segment or a hardware circuit by passing and/or receiving information, data, arguments, parameters or memory contents. Information, arguments, parameters, data, etc. may be passed, forwarded, or transmitted via any suitable means including memory sharing, message passing, token passing, network transmission, etc.

**[0061]** Hereinafter, example embodiments of system-on-chip (SoC) systems will be described with reference to FIGS. 1 to 3.

**[0062]** FIG. 1 is a block diagram of a system on chip (SoC) system according to an example embodiment of inventive concepts.

**[0063]** Referring to FIG. 1, the SoC system includes a SoC device 100, an external memory 200 and a display device 300.

**[0064]** In at least some example embodiments of inventive concepts, the SoC device 100, the external memory 200 and the display device 300 may be implemented as discrete chips, respectively. In addition, in at least some example embodiments of inventive concepts, the SoC system may further include other components (e.g., a camera module, a network device, etc.), although not shown.

**[0065]** In addition, in one or more example embodiments of inventive concepts, the SoC system may be incorporated into an electronic device capable of outputting a still picture signal (or a still image) or a motion picture signal (or a moving image) to a display panel 500.

**[0066]** The external memory 200 may store program instructions executed in the SoC device 100.

**[0067]** In addition, in one or more example embodiments of inventive concepts, the external memory 200 may store image data for images to be output to the display device 300.

**[0068]** In at least this example embodiment, the image data may include moving image data and still image data. Here, the moving image data may be, for example, a combination of series of different still image data presented in a relatively short time.

**[0069]** In other words, in at least this example embodiment, the moving image data may include dynamic image data and the still image data may include static image data.

**[0070]** However, inventive concepts are not limited to the example embodiments discussed herein. In at least some cases, the external memory 200 may not be provided. For example, since the SoC device 100 according to at least this example embodiment of inventive concepts outputs image data “on the fly,” the image data may not be stored in the external memory 200, so that the external memory 200 is not necessarily provided.

**[0071]** In at least some example embodiments of inventive concepts, the external memory 200 may include a volatile memory or a non-volatile memory.

**[0072]** Examples of the volatile memory may include a dynamic random access memory (DRAM), a static random access memory (SRAM), a thyristor RAM (T-RAM), a zero capacitor RAM (Z-RAM), or a twin transistor RAM (TTRAM), but example embodiments of inventive concepts are not limited thereto.

**[0073]** Meanwhile, examples of the non-volatile memory may include an electrically erasable programmable read-only memory (EEPROM), a flash memory, magnetic RAM (MRAM), a phase change RAM (PRAM), a resistive memory, and so on, but example embodiments of inventive concepts are not limited thereto.

**[0074]** The SoC device 100 may control the external memory 200 and/or the display device 300.

**[0075]** In at least some example embodiments of inventive concepts, the SoC device 100 may also be referred to as an integrated circuit (IC), a processor, an application processor, a multimedia processor, or an integrated multimedia processor.

**[0076]** The display device 300 may include a display driver 400 and a display panel 500.

**[0077]** In at least some example embodiments of inventive concepts, the SoC device 100 and the display driver 400 may be implemented as a module, a system on chip, or a package, for example, multi-chip package.

**[0078]** In some other example embodiments of inventive concepts, the display driver 400 and the display panel 500 may be implemented as a single module.

**[0079]** In addition, in at least some example embodiments of inventive concepts, the external memory 200, the SoC device 100 and the display device 300 may be incorporated into a single electronic device to be implemented.

**[0080]** The display driver 400 may control the operation of the display panel 500 according to signals output from the SoC device 100. For example, the display driver 400 may convert the image data received from the SoC device 100 into an image signal and may transmit the image signal to the display panel 500 through a selected interface.

**[0081]** The display panel 500 may output a moving image or a still image based on the image signal received from the display driver 400. For example, the display panel 500 may include a liquid crystal display (LCD) panel, a light emitting diode (LED) display panel, an organic LED (OLED) display panel, or an active-matrix OLED (AMOLED) display panel, and so on.

**[0082]** FIG. 2 is a block diagram of an example embodiment of the SoC device shown in FIG. 1.

**[0083]** Referring to FIG. 2, the SoC device 100 may include a system memory 10, a central processing unit (CPU) 20, an interrupt controller 30, a receiver/transmitter (Rx/Tx) 40, a

memory controller **60**, an image generator **70**, and a display controller **80**. As discussed herein, a receiver/transmitter (Rx/Tx) may also be referred to as a transceiver.

**[0084]** The system memory **10** may store instructions, parameters, etc. required for the operation of the SoC device **100**. For example, the CPU **20** may operate using the instructions, parameters, etc., stored in the system memory **10**.

**[0085]** The CPU **20** may control the overall operation of the SoC device **100**. For example, the CPU **20** may control operations of the components **10**, **30**, **40**, **60**, **70** and **80**.

**[0086]** In at least some example embodiments of inventive concepts, the CPU **20** may make a request to the image generator **70** to generate or process an image.

**[0087]** In addition, in at least some example embodiments of inventive concepts, the CPU **20** controls the display controller **80** to supply the image data to the display driver **400** when a wakeup interrupt (W\_I of FIG. 7) is received from the display driver (**400** of FIG. 1) through the Rx/Tx **40**.

**[0088]** In at least some example embodiments of inventive concepts, the CPU **20** may be implemented as a multi-core processor. The multi-core processor may include two or more independent cores.

**[0089]** The two or more independent cores may have the same or substantially the same processing performance, or may be differently implemented when necessary.

**[0090]** The interrupt controller **30** may control interrupts generated during the operation of the SoC device **100**.

**[0091]** The interrupt controller **30** may receive interrupts from the respective components, may adjust execution sequences of the respective interrupts, and may transfer the adjusted execution sequences to the CPU **20** to perform operations corresponding to the interrupts.

**[0092]** In at least some example embodiments of inventive concepts, when a wakeup interrupt (W\_I of FIG. 7) is received through the Rx/Tx **40**, the interrupt controller **30** may generate an internal interrupt associated with the wakeup interrupt, and may transfer the generated internal interrupt to the CPU **20**.

**[0093]** In addition, in at least some example embodiments of inventive concepts, the interrupt controller **30** may generate an exit interrupt (E\_I of FIG. 9) under the control of the CPU **20**, and may supply the same to the display controller **80** and the display driver (**400** of FIG. 1).

**[0094]** The Rx/Tx **40** may receive/transmit the instructions, signals, interrupts or data converted according to various interface specifications from/to the display device (**300** of FIG. 1).

**[0095]** In at least some example embodiments of inventive concepts, the Rx/Tx **40** may receive the wakeup interrupt (W\_I of FIG. 7) from the display driver (**400** of FIG. 1) and may transmit an exit interrupt (E\_I of FIG. 9) to the display driver (**400** of FIG. 1).

**[0096]** In addition, in at least some example embodiments of inventive concepts, the Rx/Tx **40** may supply the image data stored in the external memory (**200** of FIG. 1) to the display driver (**400** of FIG. 1).

**[0097]** The memory controller **60** may control the operation of a memory device when receiving/transmitting data from/to the external memory (**200** of FIG. 1) connected to the SoC device **100**. That is, for example, the memory controller **60** may access the external memory (**200** of FIG. 1) in response to a request from the CPU **20**, the image generator **70** or the display controller **80** and may read, write or erase the image data.

**[0098]** The image generator **70** may read program instructions associated with graphic processing, and may execute the program instructions. In at least some example embodiments of inventive concepts, the image generator **70** may be implemented as a graphics engine, a graphics processing unit (GPU), or a graphics card. The image generator **70** may generate or process an image under the control of the CPU **20**.

**[0099]** The display controller **80** may control the operation of the SoC device **100** with respect to the display device (**300** of FIG. 1), or may control the operation of the display device (**300** of FIG. 1) with respect to the SoC device **100**.

**[0100]** In at least some example embodiments of inventive concepts, the display controller **80** may control the memory controller **60** to output the data stored in the external memory (**200** of FIG. 1) through the Rx/Tx **40**.

**[0101]** In at least some example embodiments of inventive concepts, the display controller **80** may control the image generator **70** to output the image data generated by the image generator **70** through the Rx/Tx **40**.

**[0102]** The display controller **80** may control the memory controller **60** or the image generator **70** to supply moving image data from the SoC device **100** to the display controller **400** in a first mode (I of FIG. 4), and to supply still image data from the SoC device **100** to the display controller **400** in a second mode (II of FIG. 4).

**[0103]** In addition, in at least some example embodiments of inventive concepts, the display controller **80** may control the memory controller **60** or the image generator **70** to supply image data *n* times per second (*n* is a natural number) from the SoC device **100** to the display controller **400** in the first mode (I of FIG. 4), and to supply image data *m* times per second (*m* is a natural number smaller than *n*) from the SoC device **100** to the display controller **400** in the second mode (II of FIG. 4).

**[0104]** A system bus **90** may connect the respective components of the SoC device **100** to each other, and may serve as a path for data reception/transmission between each of the respective components. In at least some example embodiments of inventive concepts, the system bus **90** may include a relatively small-scale bus established for data communication between each of the respective components.

**[0105]** FIG. 3 is a block diagram of an example embodiment of the display driver show in FIG. 1.

**[0106]** Referring to FIG. 3, the display driver **400** may include a receiver/transmitter (Rx/Tx) **410**, a driver **420**, and an image analyzer **430**.

**[0107]** The Rx/Tx **410** may receive/transmit the instructions, signals, interrupts or data converted according to various interface specifications from/to the SoC device (**100** of FIG. 1).

**[0108]** The driver **420** may receive image data through the Rx/Tx **410** and may generate an image signal based on the received image data. In more detail, for example, the driver **420** may generate the image signal corresponding to the received image data. In addition, the driver **420** may output the generated image signal to the display panel (**500** of FIG. 1). The display panel (**500** of FIG. 1) may be driven by the received image signal to output an image.

**[0109]** In at least some example embodiments of inventive concepts, the display panel (**500** of FIG. 1) may include an oxide semiconductor panel. In more detail, for example, display panel (**500** of FIG. 1) may include an gallium indium zinc oxide (GIZO) panel. In at least this example, if the display panel (**500** of FIG. 1) includes an GIZO panel, a

decrease in image quality may be suppressed and/or prevented even if a frame rate of an image output to the panel is reduced.

[0110] In at least some example embodiments of inventive concepts, driver 420 may include a gate driver and a source driver, but inventive concepts are not limited thereto.

[0111] The image analyzer 430 may analyze, for example, the still image data received through the Rx/Tx 410, to determine a frame rate of an image to be output to the display panel (500 of FIG. 1), and may generate an interrupt based on the determined frame rate to be output to the SoC device (100 of FIG. 1).

[0112] In at least some example embodiments of inventive concepts, the interrupt generated by the image analyzer 430 and output to the SoC device (100 of FIG. 1) may be a wakeup interrupt (W\_I of FIG. 7) making a request to the SoC device (100 of FIG. 1) to supply image data for the purpose of suppressing and/or preventing deterioration in quality of the image output to the display panel (500 of FIG. 1), which will be described in more detail later.

[0113] In at least some example embodiments of inventive concepts, to generate interrupts the image analyzer 430 may include a counter 440 and an interrupt generator 450.

[0114] The counter 440 may be used in determining an output timing (output point of timing) of the interrupt. In more detail, for example, the counter 440 may perform a counting operation for each pulse of a trigger signal TE after a given (or alternatively, desired or predetermined) control signal is applied from the image analyzer 430, and may be configured to output the control signal to instruct the interrupt generator 450 to generate the interrupt if a target count value set by the image analyzer 430 is reached.

[0115] The interrupt generator 450 may receive the control signal from the counter 440, may generate the interrupt (e.g., the wakeup interrupt (W\_I of FIG. 7)), and may output the generated interrupt to the SoC device (100 of FIG. 1) through the Rx/Tx 410.

[0116] For the sake of convenient explanation, the counter 440 and the interrupt generator 450 are separately illustrated, but inventive concepts are not limited thereto.

[0117] In at least some example embodiments of inventive concepts, the counter 440 and the interrupt generator 450 may be completely integrated into the image analyzer 430 and functions thereof may then be implemented.

[0118] In addition, in at least some other example embodiments of inventive concepts, the image analyzer 430, the counter 440 and the interrupt generator 450 may be completely separate from one another, and functions thereof may be separately implemented.

[0119] In addition, in at least some other example embodiments of inventive concepts, if the interrupt generator 450 is not provided and a counting operation of the counter 440 is completed, inventive concepts may be modified and implemented such that the image analyzer 430 generates and outputs the interrupt.

[0120] Hereinafter, an operation of the SoC system shown in FIG. 1 will be described with reference to FIGS. 4 to 10.

[0121] FIGS. 4 to 10 are diagrams illustrating an example operation method of the example embodiment of the SoC system shown in FIG. 1.

[0122] Hereinafter, the operation of the SoC system according to one or more example embodiments of inventive concepts will be described with regard to a command mode by way of example. That is, for example, the operation of the

SoC system will be described in an operating mode in which the SoC device (100 of FIG. 1) supplies image data to the display driver (400 of FIG. 1). In this example, the image data is supplied in synchronization with a trigger signal TE received from the display driver (400 of FIG. 1), but inventive concepts are not limited thereto.

[0123] First, referring to FIGS. 4 and 5, the SoC device 100 according to example embodiments may operate in the first mode I until the same image data is consecutively output to the display driver 400 p number of times (p is a natural number of 2 or greater.).

[0124] If the same image data is consecutively output to the display driver 400 p times, then the SoC device 100 may determine that a still image (no updated image) needs to be output to the display panel 500, and may operate in the second mode II.

[0125] In at least some example embodiments of inventive concepts, the first mode I may be, for example, a motion picture play mode in which different images should be consecutively output to the display panel 500, and the second mode II may be, for example, a still picture play mode in which the same image should be consecutively output to the display panel 500.

[0126] For the sake of convenience, the operation of the SoC device 100 will now be described separately in the first mode I and the second mode II. However, in the actual operation of the SoC device 100, the first mode I and the second mode II may not be clearly distinguished from each other.

[0127] That is, for example, when the SoC device 100 operates to output an image to the display panel 500, the first mode I and the second mode II may be consecutively repeated.

[0128] In the illustrated example embodiment, when the SoC device 100 consecutively outputs the same image data to the display driver 400 p times, where p is a natural number greater than or equal to 2, an operating mode of the display driver 400 is switched from the first mode I to the second mode II, but inventive concepts are not limited thereto. That is, for example, conditions under which the operating mode of the display driver 400 is switched from a motion picture play mode to a still picture play mode may vary in many ways.

[0129] In the following description, the operation of the SoC system according to an example embodiment of inventive concepts will be described with regard to a case where the operating mode is switched to the second mode II when the SoC device 100 consecutively outputs the same image data to the display driver 400 twice (p=2), but inventive concepts are not limited thereto.

[0130] Referring again to FIGS. 4 and 5, in period A the SoC device 100 may receive a trigger signal TE from the display driver 400, and may output the image data I1 to I3, which are different from one another, in synchronization with the trigger signal TE.

[0131] In at least some example embodiments of inventive concepts, the trigger signal TE may have a frequency of, for example, about 60 Hz. That is, the trigger signal TE may have pulses applied about 60 times per second, but inventive concepts are not limited thereto. The frequency of the trigger signal TE may vary.

[0132] In period A, for example, the display controller 80 of the SoC device 100 may control the memory controller (60 of FIG. 2) to output the image data I1 to I3 stored in the external memory 200 in synchronization with a pulse of the trigger signal TE.

[0133] In addition, in at least some other example embodiments of inventive concepts, the display controller **80** of the SoC device **100** may control the image generator (**70** of FIG. **2**) to output the image data **I1** to **I3** in synchronization with a pulse of the trigger signal TE.

[0134] The image data **I1** to **I3** supplied from the SoC device **100** to the display driver **400** in the period A may include moving image data.

[0135] That is, for example, the image data **I1** to **I3** supplied from the SoC device **100** to the display driver **400** in period A are image data **I1** to **I3** for playing motion pictures, which may be different from one another.

[0136] If the trigger signal TE has pulses applied n times per seconds (n is a natural number), then the SoC device **100** may output image data **I1** to **I3**, which are different from one another, in period A, n times per second.

[0137] The different image data **I1** to **I3** supplied to the display driver **400** may be generated as given (or alternatively, desired or predetermined) image signals to then be supplied to the display panel **500**. Accordingly, images based on the different image data **I1** to **I3** may be output to the display panel **500**.

[0138] Next, referring to FIG. **4**, in period B, since the same image data **I3** is output from the SoC device **100** to the display driver **400** twice, the operating mode of the display controller **80** of the SoC device **100** may be switched from the first mode I to the second mode II.

[0139] In a case where the image analyzer **430** determines to output the image data **I3** to the display panel **500** with an image of about 20 frames per second, the display driver **400** may receive the image data **I3** from the SoC device **100** about 20 times per second. Therefore, the image analyzer **430** may supply the wakeup interrupt W\_I to the SoC device **100** about 20 times per second.

[0140] Accordingly, if the trigger signal TE has pulses applied about n times per second (n is a natural number), the SoC device **100** may output the same image data (e.g., **I3**) about m times per second (m is a natural number smaller than n) in the second mode II.

[0141] In the second mode II, no image data may be output from the SoC device **100** until the wakeup interrupt W\_I is received from the display driver **400**, and after the wakeup interrupt W\_I is received from the display driver **400**, the SoC device **100** may output image data (e.g., **I3**) in synchronization with a next pulse included in the trigger signal TE.

[0142] In such a manner, the image data from the SoC device **100** to the display driver **400** may include, for example, still image data.

[0143] A timing at which the wakeup interrupt W\_I is output from the display driver **400** may be determined by the image analyzer **430** of the display driver **400**.

[0144] In more detail, for example, the image analyzer **430** may analyze the receive image data (e.g., **I3**) to determine a frame rate of an image to be output to the display panel **500**, may generate the wakeup interrupt W\_I based on the determined frame rate, and may then output the generated wakeup interrupt W\_I.

[0145] As the analysis result of the image analyzer **430**, the following description will be made on the assumption that there will be no deterioration in the still image quality when the image data **I3** is analyzed to output 20 frames per second to the display panel **500**.

[0146] Referring to FIGS. **4** and **6**, in period C in which the wakeup interrupt W\_I has yet to be received from the display driver **400**, the SoC device **100** may not output the image data (e.g., **I3**).

[0147] In more detail, for example, the display controller **80** of the SoC device **100** may control the memory controller (**60** of FIG. **2**) not to output the image data (e.g., **I3**) stored in the external memory **200** in synchronization with the pulse of the trigger signal TE.

[0148] In addition, in at least some other example embodiments of inventive concepts, the display controller **80** of the SoC device **100** may control the image generator (**70** of FIG. **2**) not to output the image data (e.g., **I3**) in synchronization with the pulse of the trigger signal TE.

[0149] Since the image data (e.g., **I3**) has not yet been supplied to the display driver **400**, an image corresponding to the image data (e.g., **I3**) may not be output to the display panel **500**, either.

[0150] Meanwhile, in period C, the image analyzer **430** may apply a given (or alternatively, desired or predetermined) control signal to the counter **440** to instruct the counter **440** to start a counting operation, and may monitor count values of the counter **440**.

[0151] Next, referring to FIGS. **4** and **7**, in period D, if the count value of the counter **440** reaches a value obtained by analyzing the image data **I3**, then the image analyzer **430** supplies the wakeup interrupt W\_I to the SoC device **100**.

[0152] In at least some example embodiments of inventive concepts, as shown, the wakeup interrupt W\_I is supplied to the SoC device **100** in synchronization with the pulse of the trigger signal TE.

[0153] After receiving the wakeup interrupt W\_I, the interrupt controller (**30** of FIG. **2**) of the SoC device **100** may control the display controller **80** to get ready to output the image data through the CPU (**20** of FIG. **2**).

[0154] Referring again to FIGS. **4** and **7**, in period E, for example, the display controller **80** of the SoC device **100** may control the memory controller (**60** of FIG. **2**) to output the image data (e.g., **I3**) stored in the external memory **200** in synchronization with a pulse of the trigger signal TE.

[0155] In addition, in at least some other example embodiments of inventive concepts, display controller **80** of the SoC device **100** may control the image generator (**70** of FIG. **2**) to output the image data (e.g., **I3**) in synchronization with a pulse of the trigger signal TE.

[0156] Accordingly, as the image data **I3** is supplied from the SoC device **100** to the driver **420** of the display driver **400**, the driver **420** may generate an image signal based on the image data **I3** and may then output the generated image signal to the display panel **500**. Therefore, an image corresponding to the image data **I3** may be output to the display panel **500**.

[0157] As shown in FIG. **4**, in at least some example embodiments of inventive concepts, a pulse of the trigger signal TE supplying the wakeup interrupt W\_I from the display driver **400** to the SoC device **100**, and a pulse of the trigger signal TE supplying the image data (e.g., **I3**) from the SoC device **100** to the display driver **400**, may be different from each other.

[0158] That is, for example, when the wakeup interrupt W\_I is received in the Rx/Tx **40** in synchronization with a first pulse included in the trigger signal TE, the display controller **80** may output the image data (e.g., **I3**) to the display driver **400** in synchronization with a second pulse different from the first pulse.

[0159] Thereafter, the SoC system may repeatedly operate from period C to period E until reaching a timing at which a moving image is to be output to the display panel 500.

[0160] Next, referring to FIGS. 8 and 9, in period F, if an event that the display controller 80 should be switched to a motion picture play mode (first mode I), such as a panel touch by a user, is generated, the interrupt controller 30 of the SoC device 100 may generate an exit interrupt E\_I under the control of the CPU 20, and may supply the generated exit interrupt E\_I to the display controller 80. In addition, the interrupt controller 30 may supply the generated exit interrupt E\_I to the display driver 400 through the Rx/Tx 40.

[0161] After receiving the exit interrupt E\_I, the display driver 400 may prepare to drive the driver 420 using the moving image data supplied from the SoC device 100.

[0162] In addition, after receiving the exit interrupt E\_I, the display controller 80 may prepare to transmit moving image data to the display driver 400 in synchronization with the trigger signal TE. That is, for example, the display controller 80 may prepare to switch from the second mode II to the first mode I.

[0163] Next, referring to FIGS. 8 and 10, in period G, if the image data to be supplied from the SoC device 100 to the display driver 400 is changed (e.g., from image data I3 to image data I4), then the display controller 80 of the SoC device 100 may control the memory controller 60 to output the image data (e.g., I4) stored in the external memory (200 of FIG. 1) through the Rx/Tx 40 in synchronization with the trigger signal TE.

[0164] In addition, in at least some other example embodiments of inventive concepts, the display controller 80 may control the image generator 70 to output the image data (e.g., I4) generated by the image generator 70 through the Rx/Tx 40 in synchronization with the trigger signal TE.

[0165] That is, for example, the display controller 80 may control the memory controller 60 or the image generator 70 to supply the moving image data (e.g., I4, I5) from the SoC device 100 to the display controller 400 in the first mode I.

[0166] Accordingly, in a case where the trigger signal TE has pulses applied about n times per second, the image data (e.g., I3) is supplied from the SoC device 100 to the display controller 400 about m times per second (m is a natural number smaller than n) in the second mode II, while image data (e.g., I4 and I5) are supplied about n times per second in the first mode I.

[0167] The image data I4 and I5 supplied to the display driver 400 may be generated as image signals through the driver 420 to then be supplied to the display panel 500. The image data I4 and I5 are different from each other. Accordingly, images corresponding to the different image data I4 and I5 may be output to the display panel 500.

[0168] As described above, in the SoC system according to at least this example embodiment, in a case where a still image based on the still image data needs to be output to the display panel 500, the still image data is analyzed to determine a frame rate of an image to suppress and/or prevent deterioration of quality of the image output to the display panel 500.

[0169] Then, a wakeup interrupt W\_I is generated at a processing timing of image data according to the determined frame rate, thereby reducing (e.g., minimizing) throughput of the image data in the SoC device 100 and the display driver 400.

[0170] Accordingly, power consumption may be reduced in displaying the image on the display panel 500.

[0171] In addition, the SoC system according to at least this example embodiment may process moving image data in synchronization with the trigger signal TE in the first mode I, and process still image data using the wakeup interrupt W\_I in the second mode II, so that a frame buffer in the display driver 400 is not necessarily provided and/or needed. Accordingly, size of the display driver 400 may be reduced.

[0172] A SoC system according to another example embodiment of inventive concepts will be described with reference to FIG. 11.

[0173] FIG. 11 is a block diagram of a display driver included in a SoC system according to another example embodiment of inventive concepts.

[0174] Hereinafter, repeated descriptions with the example embodiment discussed above will not be given and the following description will focus on differences between this example embodiment and the example embodiment discussed previously.

[0175] Referring to FIG. 11, the display driver 401 included in the SoC system, according to another example embodiment of inventive concepts may include a receiver/transmitter (Rx/Tx) 411, a driver 421, an image analyzer 431, and a frame buffer 461.

[0176] The Rx/Tx 411 may receive transmit the instructions, signals, interrupts, and/or data converted according to various interface specifications, from/to the display device (300 of FIG. 1).

[0177] The driver 421 may receive image data stored in the frame buffer 461 through the Rx/Tx 411, and may generate an image signal based on the image data. In more detail, for example, the driver 421 may generate an image signal corresponding to the received image data. The driver 421 may output the generated image signal to the display panel (500 of FIG. 1). The display panel (500 of FIG. 1) may be driven by the received image signal to then output an image.

[0178] The image analyzer 431 may analyze, for example, still image data stored in the frame buffer 461 to determine a frame rate of an image to be output to the display panel (500 of FIG. 1), and may generate and output an interrupt (e.g., W\_I of FIG. 4) based on the determined frame rate of the image.

[0179] In at least some example embodiments of inventive concepts, in order to generate the interrupts, the image analyzer 431 may include a counter 441 and an interrupt generator 451.

[0180] The frame buffer 461 may store image data supplied from the SoC device (100 of FIG. 1) through the Rx/Tx 411, and may supply the image data to the driver 421 to the image analyzer 431.

[0181] A SoC system according to still another example embodiment of inventive concepts will be described with reference to FIG. 12.

[0182] FIG. 12 is a block diagram of a display driver included in a SoC system, according to still another example embodiment of inventive concepts.

[0183] Hereinafter, repeated descriptions with the example embodiment discussed previously will not be given and the following description will focus on differences between this example embodiment and the example embodiment discussed previously.

[0184] Referring to FIG. 12, the display driver 402 included in the SoC system according to another example embodiment

of inventive concepts may include a receiver/transmitter (Rx/Tx) **412**, a driver **422**, an image analyzer **432**, and an interrupt generator **452**.

[0185] The Rx/Tx **412** may receive/transmit the instructions, signals, interrupts, and/or data converted according to various interface specifications, from/to the display device (**300** of FIG. 1).

[0186] The driver **422** may receive image data supplied through the Rx/Tx **412**, and may generate an image signal based on the image data. In more detail, for example, the driver **422** may generate an image signal corresponding to the received image data. In addition, the driver **422** may output the generated image signal to the display panel (**500** of FIG. 1). The display panel (**500** of FIG. 1) may be driven by the received image signal to then output an image.

[0187] The image analyzer **432** may analyze, for example, still image data supplied through the Rx/Tx **412** to determine a frame rate of an image to be output to the display panel (**500** of FIG. 1), and may supply the analysis result to the interrupt generator **452**.

[0188] That is, for example, in at least this example embodiment, the image analyzer **432** may not generate an interrupt (e.g., W\_I of FIG. 4), but may supply only the image analysis result to the interrupt generator **452**.

[0189] In at least some example embodiments of inventive concepts, the image analysis result may be a target count value of the counter **442** included in the interrupt generator **452**.

[0190] The interrupt generator **452** may monitor whether a count value of the counter **442** reaches a target count value, and may generate an interrupt (e.g., W\_I of FIG. 4) if the count value of the counter **442** reaches the target count value.

[0191] The generated interrupt (e.g., W\_I of FIG. 4) is synchronized with a trigger signal (e.g., TE of FIG. 4) to then be supplied to the SoC device (**100** of FIG. 1) through the Rx/Tx **412**.

[0192] FIG. 13 is a block diagram of a SoC system according to another example embodiment of inventive concepts.

[0193] Referring to FIG. 13, the SoC system **600** according to another example embodiment of inventive concepts may include a SoC device **1**, a power source **620**, input/output (I/O) ports **630**, an expansion card **640**, a network device **650**, a display **660**, and a camera module **670**.

[0194] The SoC device **1** may be substantially the same as the SoC device (**100** of FIG. 1). The SoC device **1** may control the operation of at least one of the components **620** to **670**.

[0195] The power source **620** may supply an operating voltage to at least one of the components **620** to **670**.

[0196] The input/output (I/O) ports **630** may include ports capable of transmitting data to the SoC system **600** or transmitting the data output from the SoC system **600** to an external device.

[0197] The expansion card **640** may be implemented by, for example, a secure digital (SD) card or a multimedia card (MMC). In at least some example embodiments of inventive concepts, the expansion card **640** may be a subscriber identification module (SIM) card or a universal subscriber identity module (USIM) card.

[0198] The network device **650** may include a device that enables the SoC system **600** to be connected with a wireless network.

[0199] The display **660** displays data output from the input/output (I/O) ports **630**, the expansion card **640**, or the network

device **650**. The display **660** may be substantially the same as the display device **300** shown in FIG. 1.

[0200] The camera module **670** may be a module that converts an optical image into an electrical image. Therefore, the electrical image output from the camera module **670** may be stored in the SoC device **1** or the expansion card **640**. In addition, the electrical image output from the camera module **670** may also be displayed on the display **660** under the control of the SoC device **1**. In at least some example embodiments of inventive concepts, the camera module **670** may include an image sensor.

[0201] While inventive concepts have been shown and described with reference to some example embodiments thereof, it will be understood by those of ordinary skill in the art that various changes in form and details may be made therein without departing from the spirit and scope of inventive concepts as defined by the following claims. It is therefore desired that the example embodiments be considered in all respects as illustrative and not restrictive, reference being made to the appended claims rather than the foregoing description to indicate the scope of inventive concepts.

1. A system-on-chip (SoC) device comprising:

a display controller configured to receive a trigger signal, and to output image data based on the trigger signal; and  
a transceiver configured to receive a first interrupt, wherein in a first mode, the display controller is configured to output the image data in synchronization with a pulse of the trigger signal, and  
in a second mode, which is different from the first mode, the display controller is configured to output the image data in synchronization with the pulse of the trigger signal only after receiving the first interrupt.

2. The SoC device of claim 1, wherein

the image data includes moving image data in the first mode; and

the image data includes still image data in the second mode.

3. The SoC device of claim 1, wherein

in the first mode, the display controller is configured to output the image data n times per second, where n is a natural number; and

in the second mode, the display controller is configured to output the image data m times per second, where m is a natural number less than n.

4. The SoC device of claim 1, wherein

the transceiver is further configured to receive the trigger signal from a display driver; and

the display driver is configured to generate an image signal based on the image data output from the display controller, and to supply the generated image signal to a display panel.

5. The SoC device of claim 1, wherein the transceiver is further configured to receive the first interrupt in synchronization with the trigger signal.

6. The SoC device of claim 5, wherein

the transceiver is configured to receive the first interrupt in synchronization with a first pulse of the trigger signal; and

the display controller is further configured to output the image data in synchronization with a second pulse of the trigger signal, the second pulse being different from the first pulse.

7. The SoC device of claim 1, wherein the image data is stored in an external memory; and the display controller is further configured to control the external memory to output the image data in synchronization with the pulse of the trigger signal.

8. The SoC device of claim 1, wherein the display controller is configured to switch from the first mode to the second mode in response to consecutive output of the same image data  $p$  times in the first mode; and

$p$  is a natural number greater than or equal to 2.

9. The SoC device of claim 1, wherein the display controller is further configured to operate in the second mode based on the first interrupt received at the transceiver; and

the display controller is further configured to switch from the second mode to the first mode in response to transmission of a second interrupt by the transceiver, the second interrupt being different from the first interrupt.

10-13. (canceled)

14. A display driver comprising:

a driver configured to generate an image signal based on received image data, and to output the generated image signal; and

an image analyzer configured to determine a frame rate for the image signal based on the image data, generate an interrupt based on the determined frame rate, and output the generated interrupt, the generated interrupt being indicative of a timing for receiving the image data at the driver.

15. The display driver of claim 14, wherein the driver is further configured to output the generated image signal to a display panel; and the display panel includes a gallium-indium-zinc-oxide (GIZO) panel.

16. The display driver of claim 14, further comprising: a counter to determine an output timing for the generated interrupt.

17. The display driver of claim 14, wherein the display driver is further configured to output a trigger signal having a plurality of pulses; and when the image data is in synchronization with a first of the plurality of pulses, rather than with a second of the plurality of pulses adjacent to the first of the plurality of pulses, the image analyzer is configured to analyze the image data in synchronization with the first of the plurality of pulses to determine the frame rate for the image signal to be output to the display panel.

18. The display driver of claim 14, further comprising: a frame buffer configured to store the received image data, wherein

when the image data stored in the frame buffer is not updated at a first timing, the image analyzer is configured to analyze the image data stored in the frame buffer to determine the frame rate for the image signal to be output to the display panel.

19. The display driver of claim 14, wherein the image data includes still image data.

20-23. (canceled)

24. A system-on-chip (SoC) device comprising:

a display controller configured to, in the first mode, output image data in synchronization with a plurality of pulses of a received trigger signal, in a second mode, output image data in synchronization with a pulse of the received trigger signal only after receiving a first interrupt signal, and switch from the first mode to the second mode in response to outputting a same image data in synchronization with a threshold number of consecutive pulses of the received trigger signal.

25. The SoC device of claim 24, further comprising: an interrupt controller configured to output a second interrupt signal to the display controller in response to an event; and wherein

the display controller is further configured to switch from the second mode to the first mode in response to the second interrupt signal.

26. The SoC device of claim 24, wherein the image data output in the first mode is moving image data; and the image data output in the second mode is still image data.

27. The SoC device of claim 24, wherein, in the first mode, the display controller is configured to output the image data in synchronization with each of the plurality of pulses of the received trigger signal.

28. The SoC device of claim 24, wherein in the second mode, the display controller is configured to receive the first interrupt signal during a first time period; and

output the image data in synchronization with only a pulse of the trigger signal received during a second time period, the second time period being adjacent to the first time period.

29-30. (canceled)

\* \* \* \* \*