



US 20150084592A1

(19) **United States**

(12) **Patent Application Publication**

Pickens et al.

(10) **Pub. No.: US 2015/0084592 A1**

(43) **Pub. Date: Mar. 26, 2015**

(54) **BATTERY PACK-TO-UNIVERSAL SERIAL BUS POWER DEVICES**

Publication Classification

(71) Applicant: **Custom LeatherCraft Manufacturing Co., Inc.**, South Gate, CA (US)

(51) **Int. Cl.**
H02J 7/00 (2006.01)

(72) Inventors: **Ron A. Pickens**, Owasso, OK (US);
Matthew D. Noble, Los Angeles, CA (US)

(52) **U.S. Cl.**
CPC **H02J 7/0052** (2013.01); **H02J 7/0029** (2013.01); **H02J 7/0042** (2013.01); **H02J 2007/0062** (2013.01)
USPC **320/112**

(21) Appl. No.: **14/485,755**

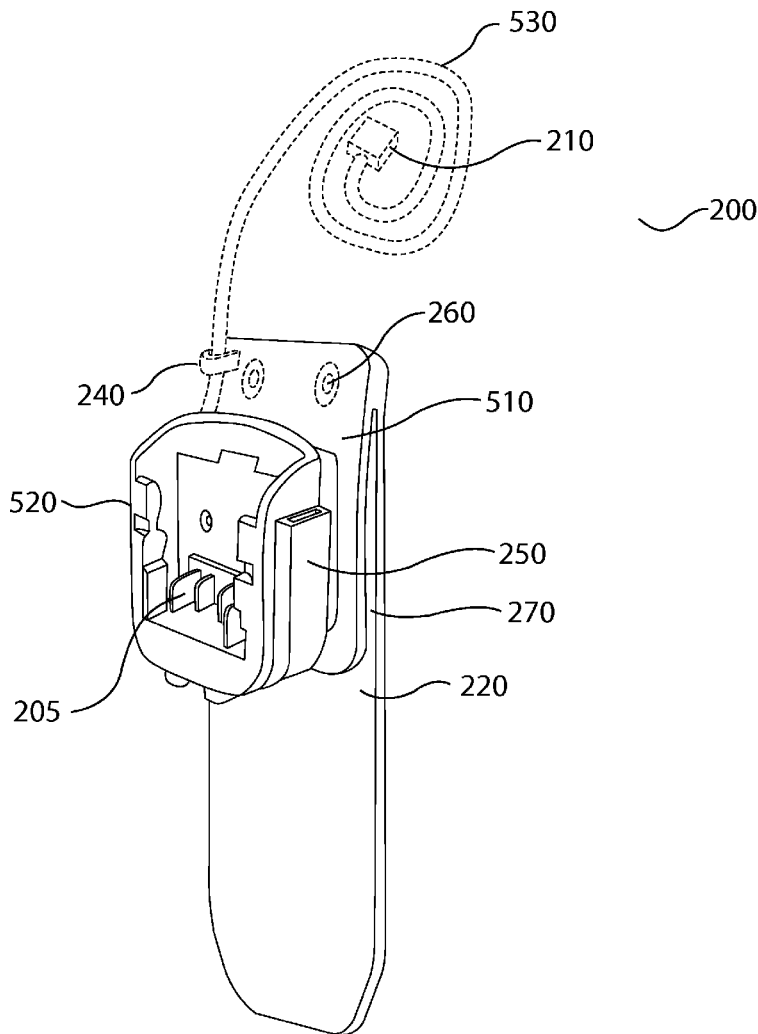
(57) **ABSTRACT**

(22) Filed: **Sep. 14, 2014**

A device includes a battery pack receptacle that removably connects to a battery pack used for a cordless device. A universal serial bus (USB) port is connected to the battery pack receptacle. The battery pack is used as a power source for the USB port. An attachment device is connected to the battery pack receptacle. that attaches the battery pack receptacle to a utility bag. The attachment device is configured for attaching the battery pack receptacle to a platform.

Related U.S. Application Data

(60) Provisional application No. 61/882,053, filed on Sep. 25, 2013.



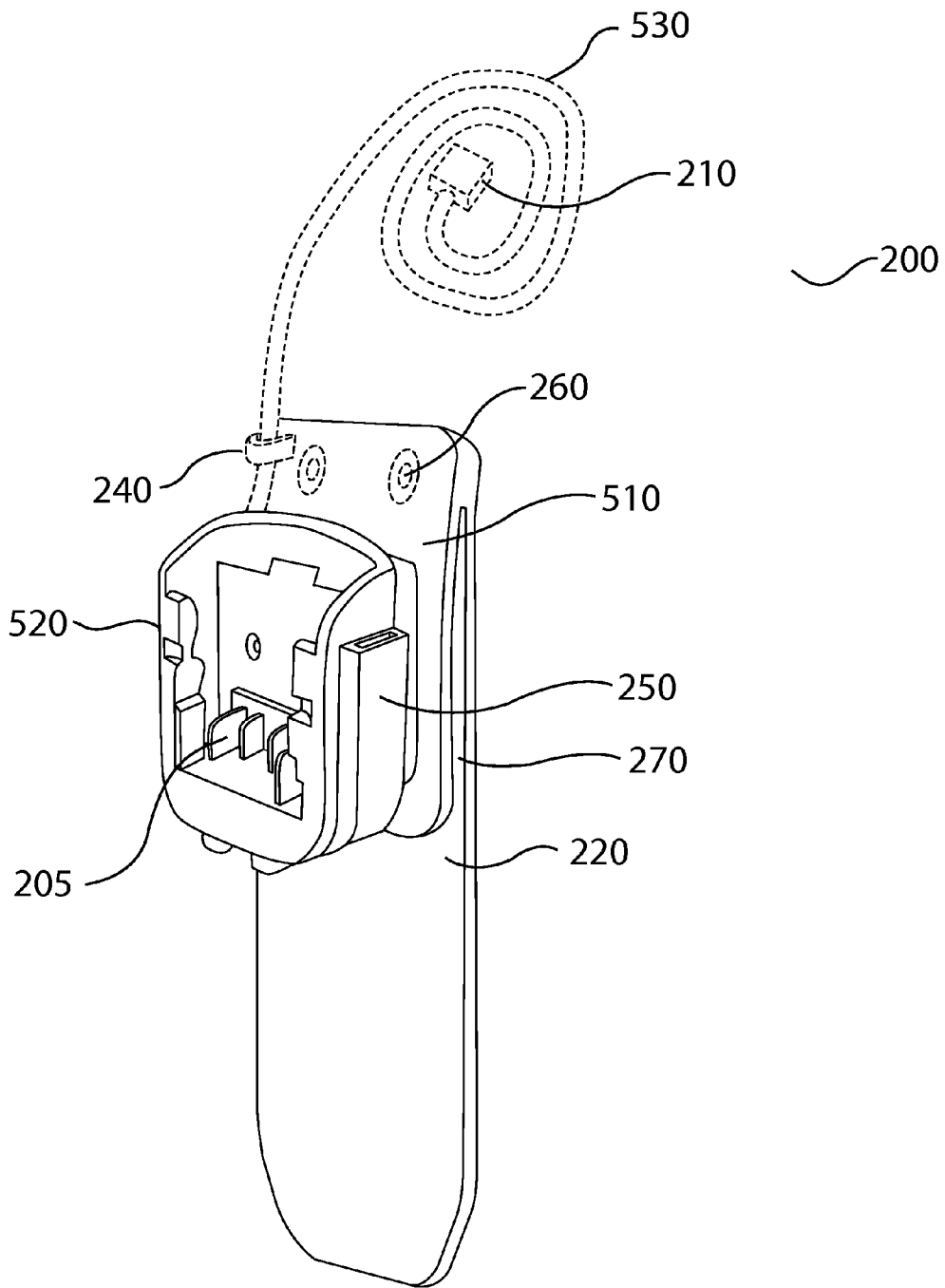


FIG. 1

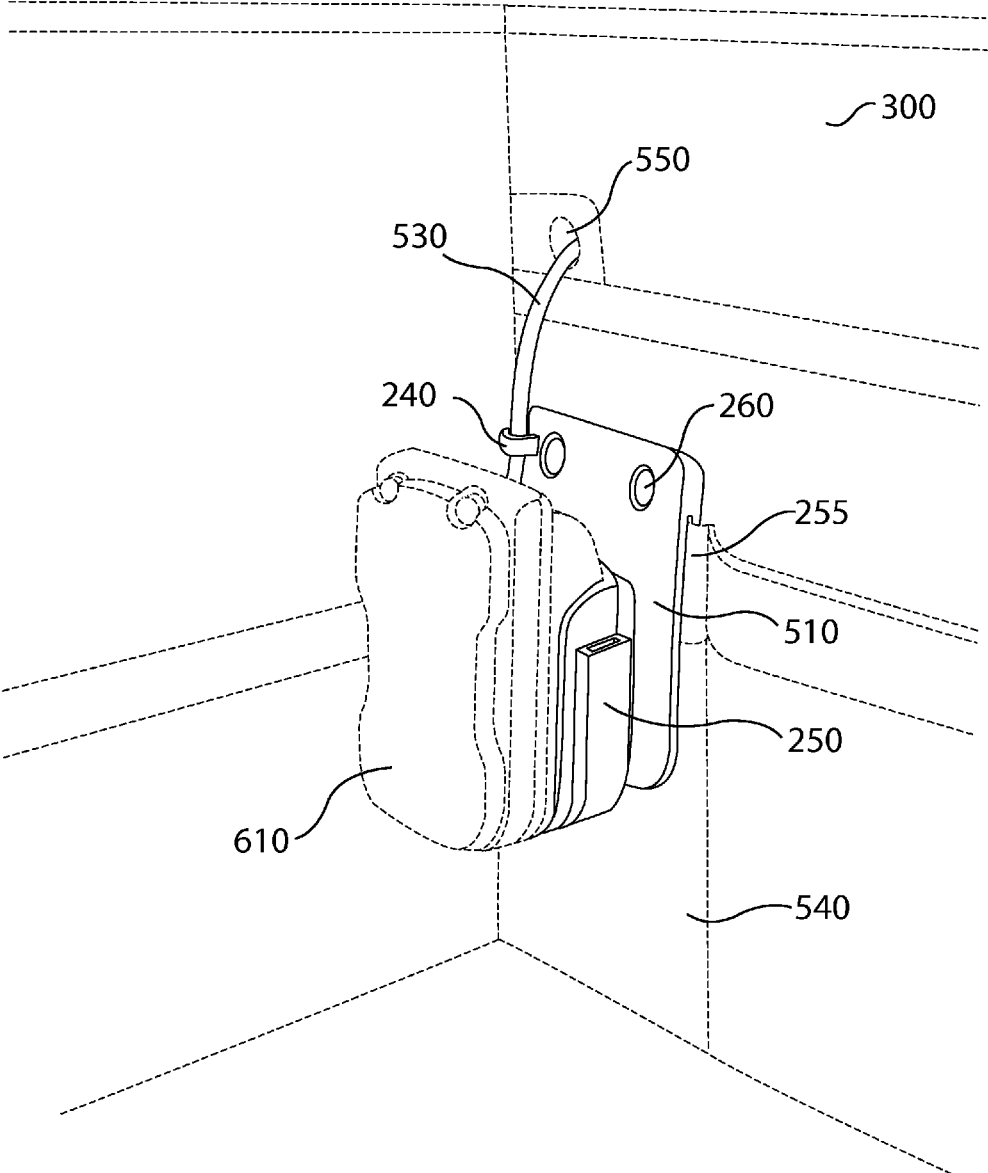


FIG.2

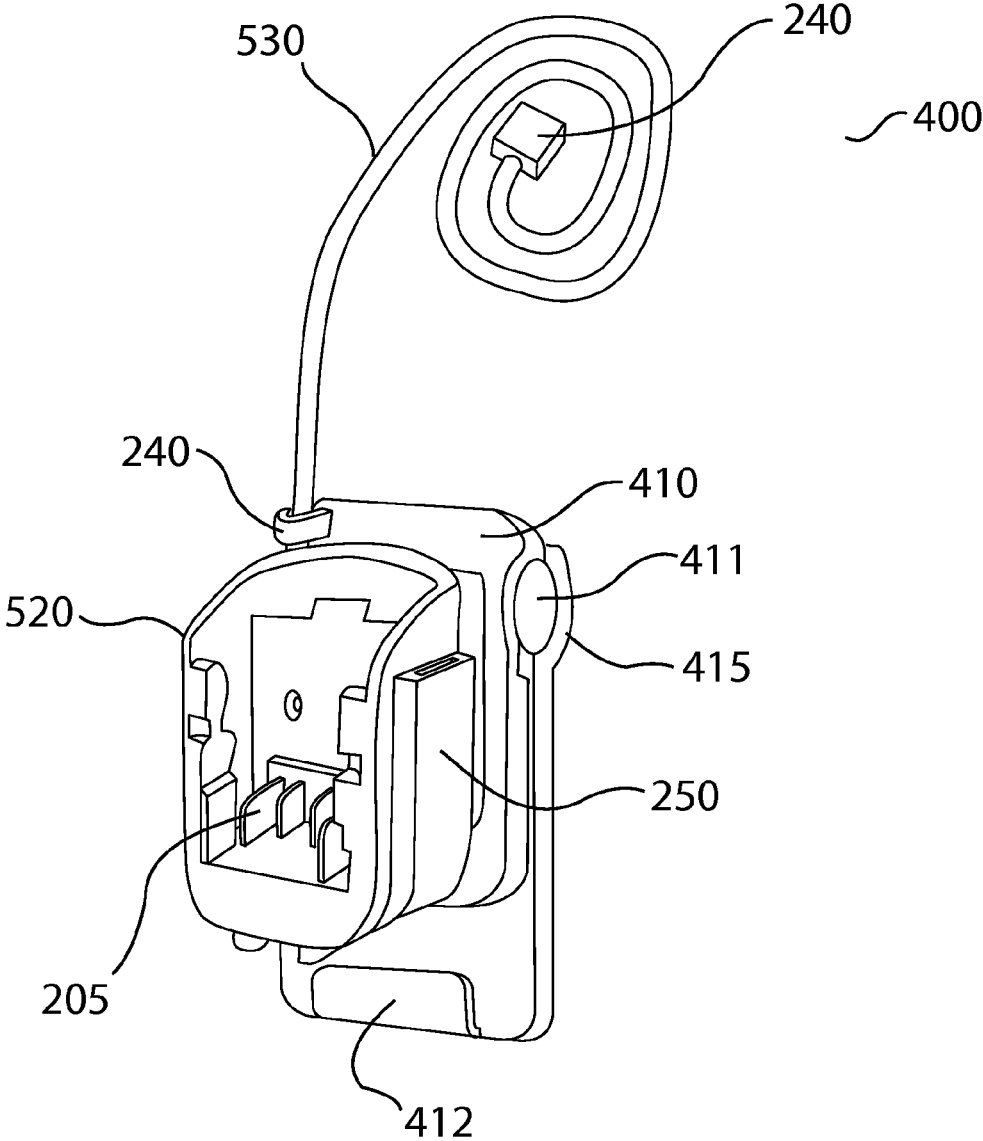


FIG. 3

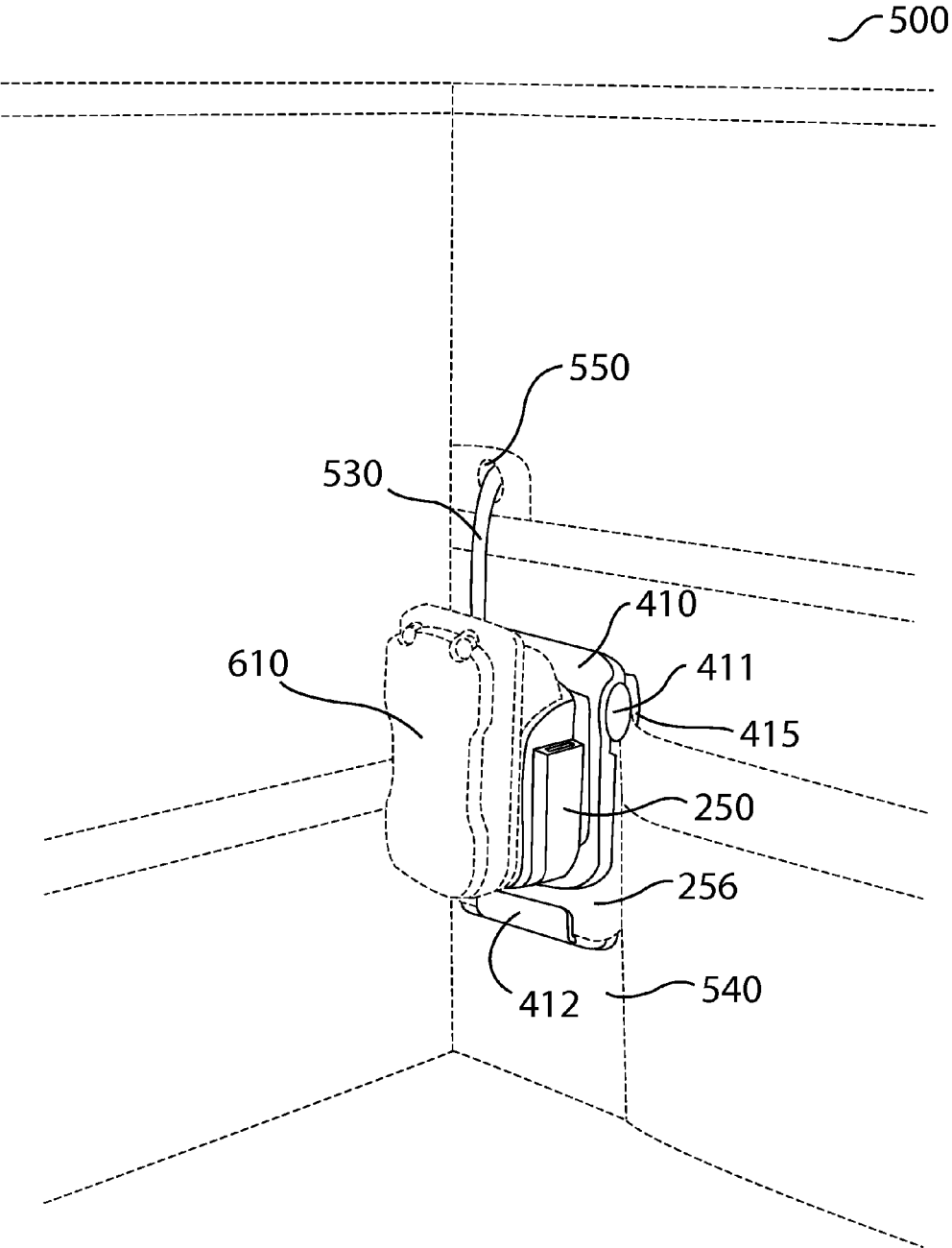


FIG. 4

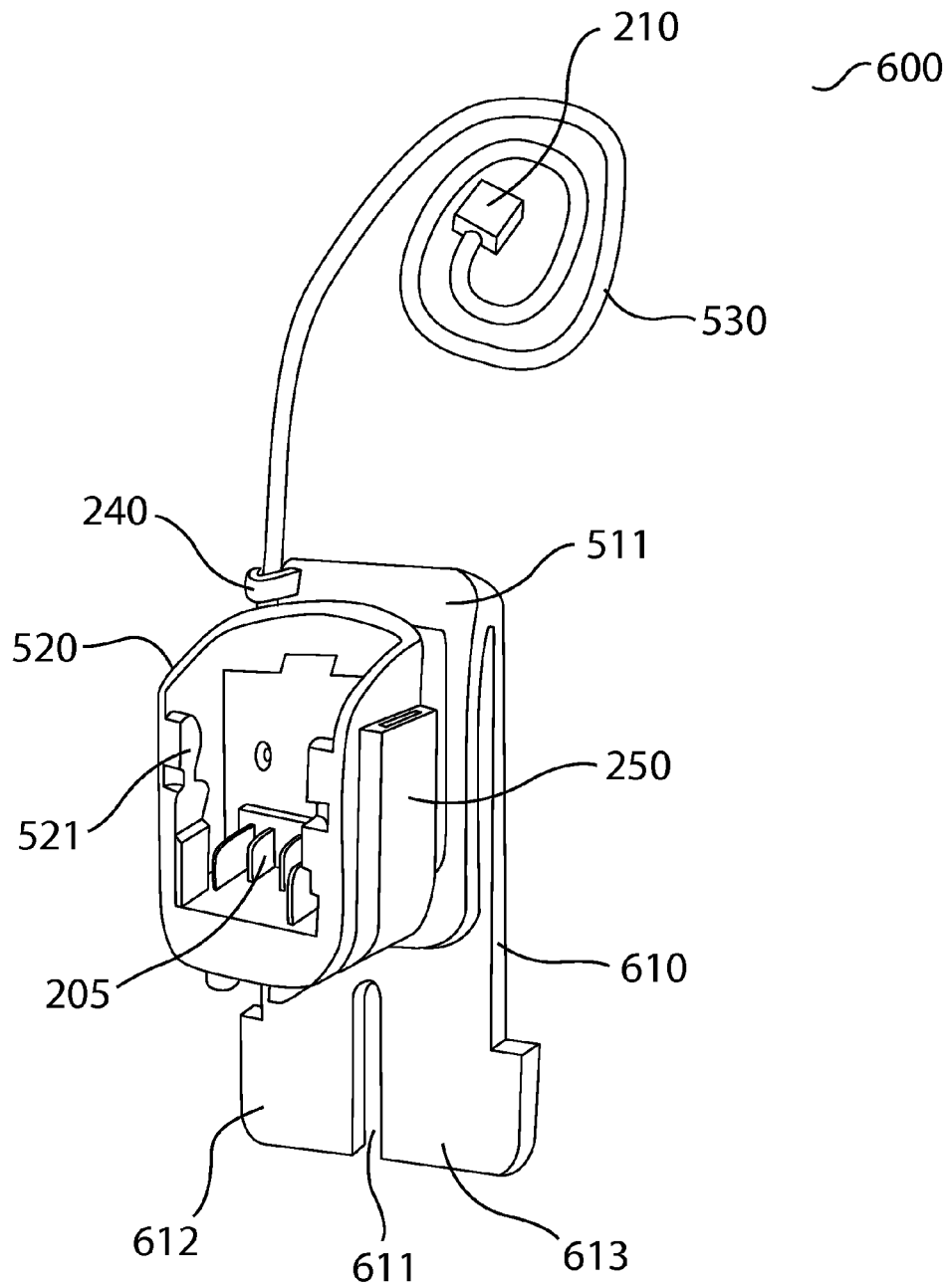


FIG. 5

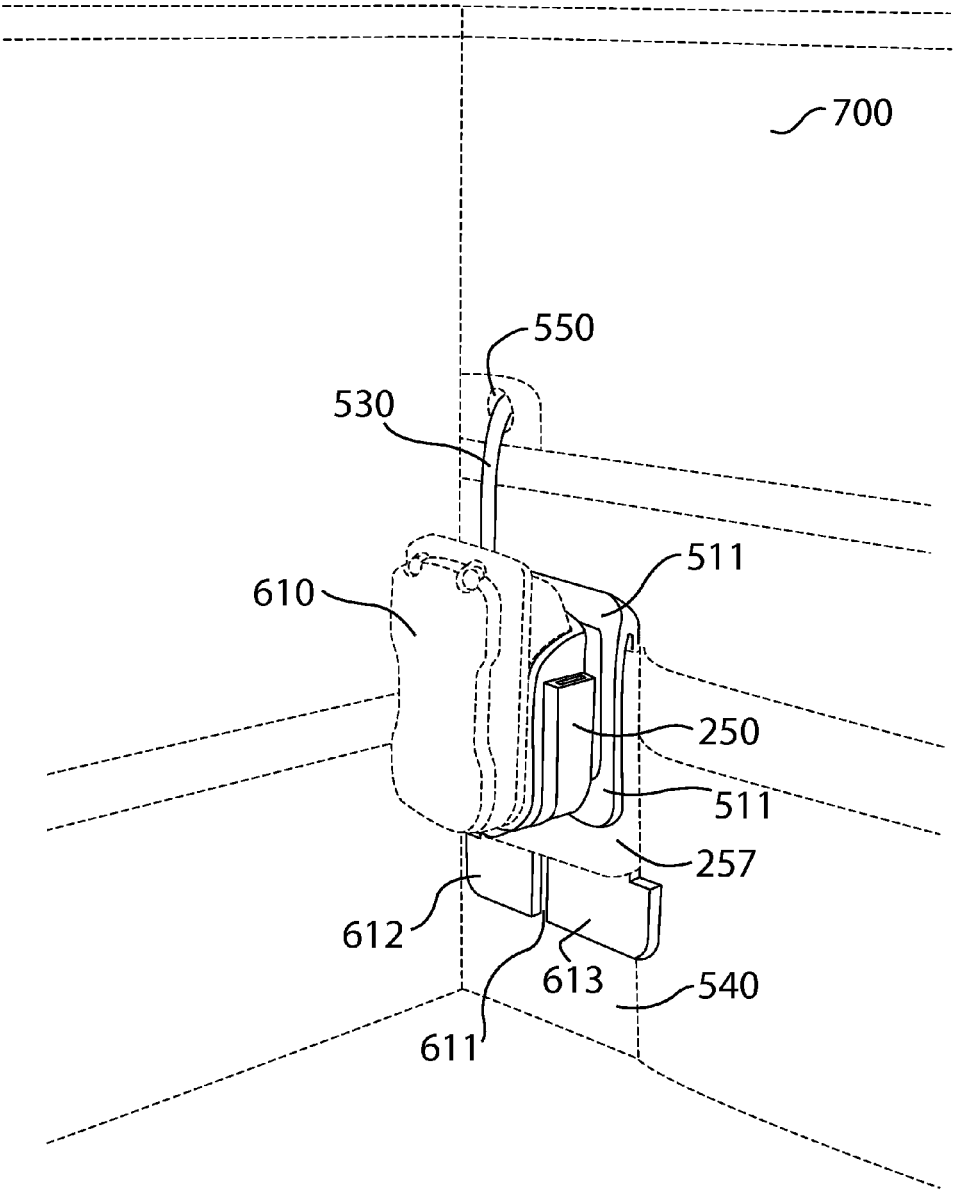


FIG. 6

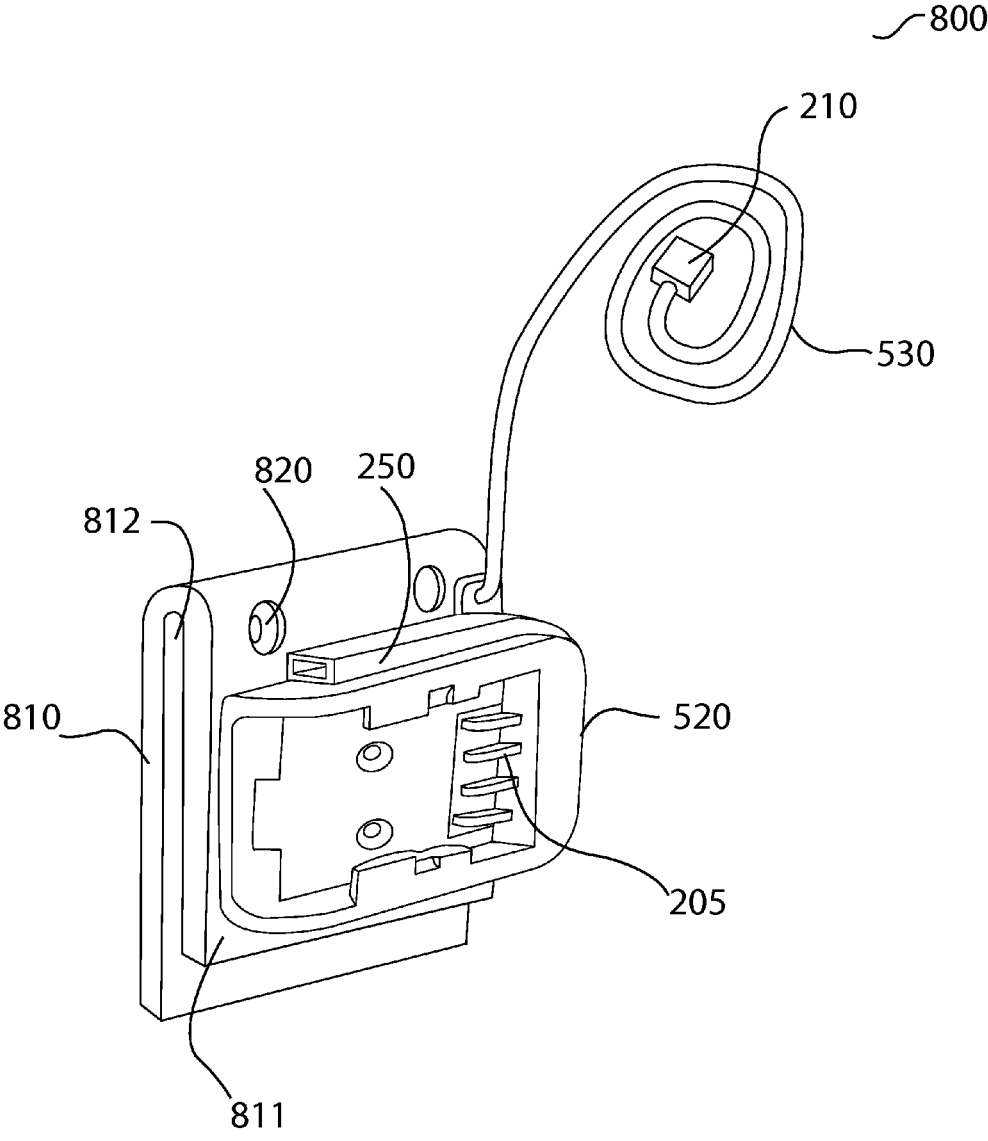


FIG.7

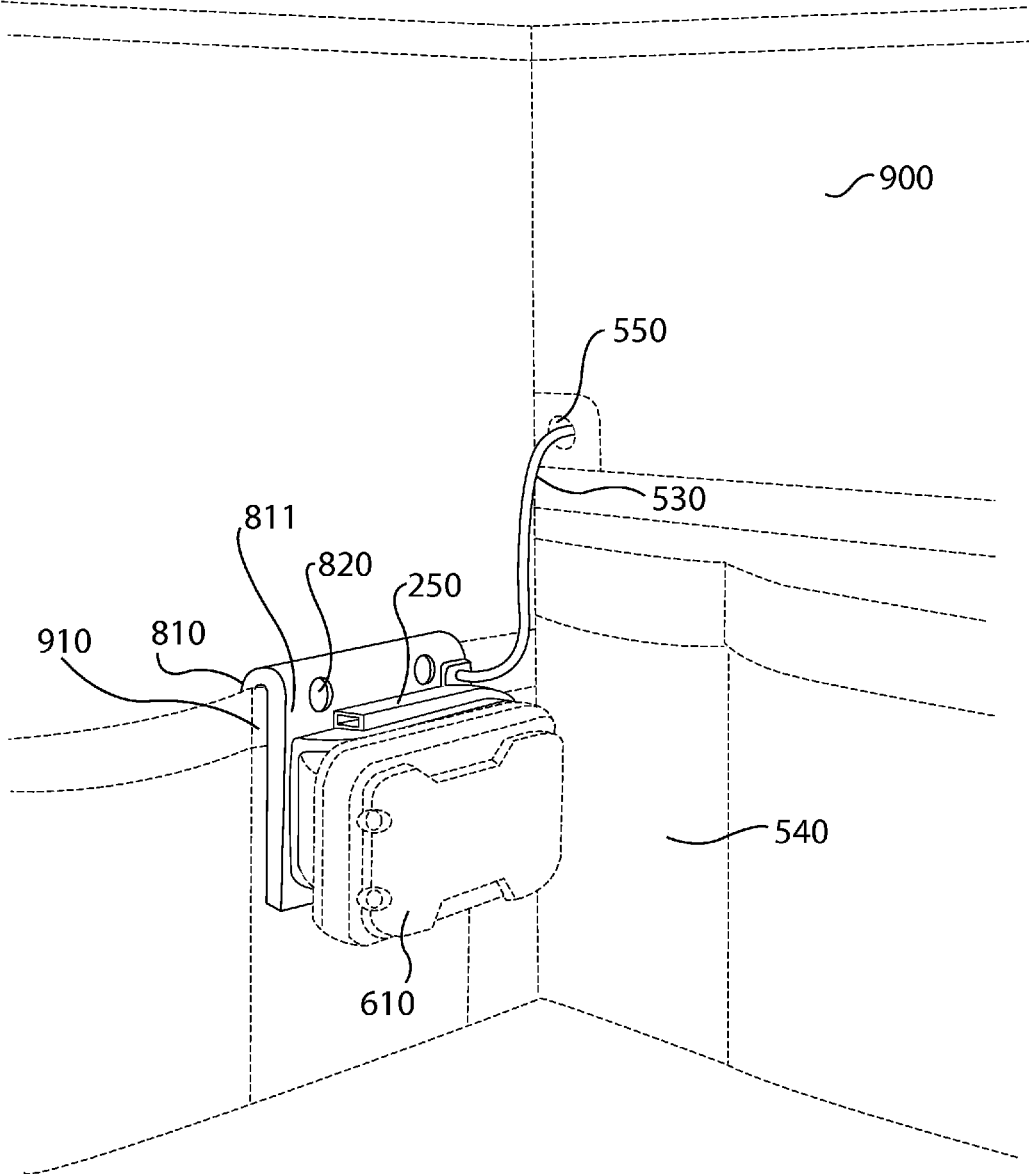


FIG.8

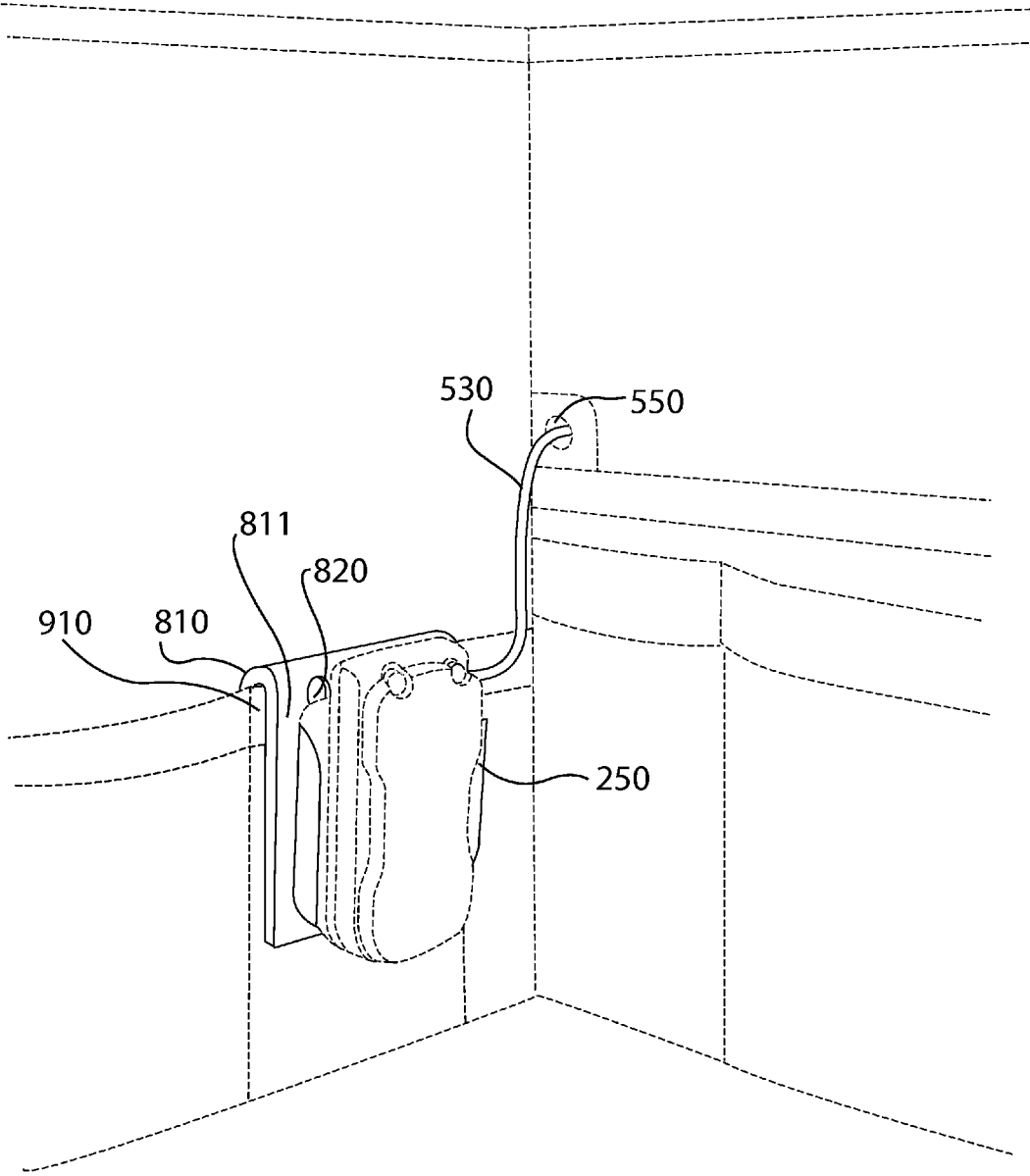


FIG.9

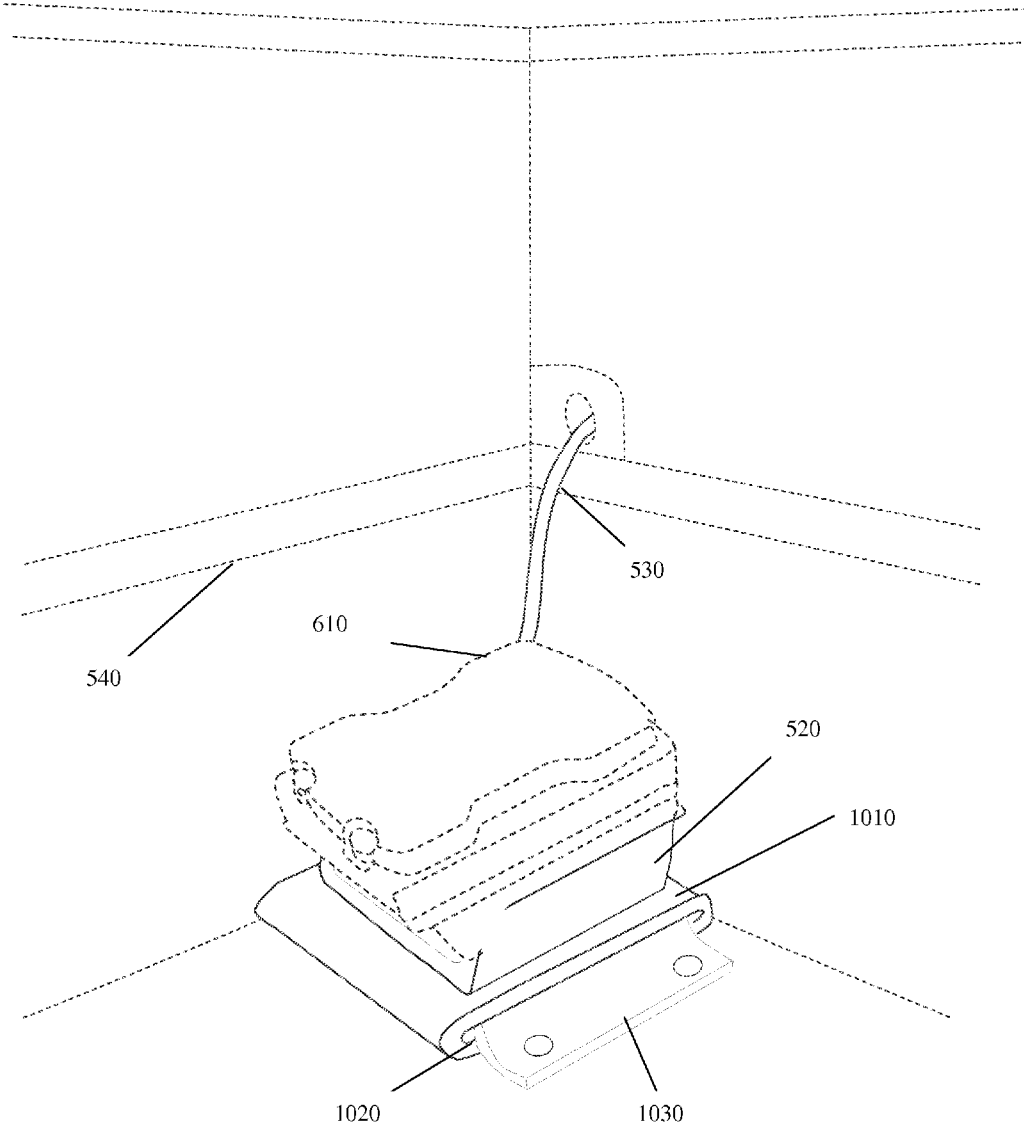


FIG. 10

BATTERY PACK-TO-UNIVERSAL SERIAL BUS POWER DEVICES

CROSS-REFERENCE TO RELATED APPLICATIONS

[0001] This application claims the priority benefit of U.S. Provisional Patent Application Ser. No. 61/882,053, filed Sep. 25, 2013, incorporated herein by reference in its entirety.

TECHNICAL FIELD

[0002] One or more embodiments relate generally to universal serial bus (USB) power, and in particular, use of a tool battery pack as a power source for USB devices using an receptacle/adaptor.

BACKGROUND

[0003] Portable cordless power tools typically include replaceable and removable battery packs. The battery packs may have different voltages, such as 12V, 18V, 24V, etc. The cordless power tools (e.g., a cordless drill, cordless screwdriver, etc.) may be packaged with a spare battery pack that may be charged in a charger while the other battery pack is in use.

SUMMARY

[0004] One embodiment includes a battery pack receptacle that removably connects to a battery pack used for a cordless device. A universal serial bus (USB) port is connected to the battery pack receptacle. The battery pack is used as a power source for the USB port. An attachment device is connected to the battery pack receptacle, that attaches the battery pack receptacle to a utility bag. The attachment device is configured for attaching the battery pack receptacle to a platform.

[0005] Another embodiment comprises an apparatus that includes a battery pack receptacle that removably receives a battery pack used for a cordless device. An attachment device is coupled to the battery pack receptacle and is configured for attaching the battery pack receptacle to a platform. One or more universal serial bus (USB) connectors are coupled to the battery pack receptacle.

BRIEF DESCRIPTION OF THE DRAWINGS

[0006] The embodiments are illustrated by way of example, and not by way of limitation, in the Figures of the accompanying drawings and in which like reference numerals refer to similar elements and in which:

[0007] FIG. 1 illustrates a perspective view of a receptacle/adaptor for a battery pack bag according to one embodiment;

[0008] FIG. 2 illustrates a perspective view of a receptacle/adaptor for a battery pack shown in FIG. 1 and showing an example implementation with an inserted example battery pack and an example utility bag according to one embodiment;

[0009] FIG. 3 illustrates a perspective view of another receptacle/adaptor for a battery pack according to one embodiment;

[0010] FIG. 4 illustrates a perspective view of the receptacle/adaptor for a battery pack shown in FIG. 3 showing an example implementation with a utility bag according to one embodiment;

[0011] FIG. 5 illustrates a perspective view of still another receptacle/adaptor for a battery pack according to one embodiment;

[0012] FIG. 6 illustrates a perspective view of the receptacle/adaptor for a battery pack shown in FIG. 5 and showing an example implementation with a utility bag according to one embodiment;

[0013] FIG. 7 illustrates a perspective view of another receptacle/adaptor for a battery pack according to one embodiment;

[0014] FIG. 8 illustrates a perspective view of the receptacle/adaptor for a battery pack shown in FIG. 7 and showing an example implementation with a utility bag according to one embodiment.

[0015] FIG. 9 illustrates a perspective view of the receptacle/adaptor for a battery pack shown in FIG. 8 shown in another orientation and showing an example implementation with a utility bag according to one embodiment; and

[0016] FIG. 10 illustrates a perspective view of another receptacle/adaptor for a battery pack and showing an example implementation with a utility bag according to one embodiment.

DETAILED DESCRIPTION

[0017] The following description is made for the purpose of illustrating the general principles of the one or more embodiments and is not meant to limit the inventive concepts claimed herein. Further, particular features described herein can be used in combination with other described features in each of the various possible combinations and permutations. Unless otherwise specifically defined herein, all terms are to be given their broadest possible interpretation including meanings implied from the specification as well as meanings understood by those skilled in the art and/or as defined in dictionaries, treatises, etc.

[0018] The description may disclose several preferred embodiments for battery pack receptacles for transferring power from a cordless device battery pack to a USB receptacle that may be used and attached to various devices/platforms, for example a utility bag, backpack, travel bag, sports bag, cooler, a belt, suspenders, a tool box, a ladder, a shelf, a work bench/table, a pocket, etc., as well as operation and/or component parts thereof. While the following description will be described in terms of cordless device battery pack power for USB devices, for clarity and to place the one or more embodiments in context, it should be kept in mind that the teachings herein may have broad application to all types of systems, devices and applications.

[0019] The description may disclose several preferred embodiments of battery pack to USB connections for powering/charging electronic devices, as well as operation and/or component parts thereof. While the following description will be described in terms of battery pack to USB connections for powering/charging electronic devices and systems for clarity and to place the invention in context, it should be kept in mind that the teachings herein may have broad application to all types of systems, devices and applications

[0020] One or more embodiments relate to cordless device battery pack power used for USB devices. In one embodiment, an apparatus includes a battery pack receptacle that removably connects to a battery pack used for a cordless device. A USB port is connected to the battery pack receptacle. The battery pack is used as a power source for the USB port. An attachment device is connected to the battery pack

receptacle. that attaches the battery pack receptacle to a utility bag. The attachment device is configured for attaching the battery pack receptacle to a platform. Another embodiment comprises an apparatus that includes a battery pack receptacle that removably receives a battery pack used for a cordless device. An attachment device is coupled to the battery pack receptacle and is configured for attaching the battery pack receptacle to a platform. One or more (e.g., 1, 2, 3, etc.) USB connectors are coupled to the battery pack receptacle.

[0021] One embodiment of the invention includes charging/powering an electronic device that may be employed in multiple housings, such as utility bags, fishing bags, backpacks, duffel bags, tool boxes, tool carriers, sports bags, luggage, emergency services bags, cases, coolers, etc. It should be noted that while utility bags are shown and discussed for housing the embodiments, other housings may also be implemented (e.g., pocket books, fanny packs, stand-alone containers or devices, bucket bags, etc. In other embodiments, no housing is required and the battery pack receptacle and USB receptacle or port may be integrated into a single component or housing without a utility bag or other container (e.g., integrated into a carrying case, an electronic device (e.g., radio or digital music playing device, storage case, etc.

[0022] FIG. 1 illustrates a perspective view 200 of a receptacle/adaptor 520 for a battery pack (e.g., a cordless device battery pack, such as a cordless drill, etc.) according to one embodiment. In one embodiment, the receptacle/adaptor 520 includes a USB connection port 250. In one embodiment, the receptacle/adaptor 520 includes a USB cord 530 having a length and including a USB port 210 at the end (e.g., male or female). In one embodiment, the length of the USB cord 530 may comprise any desirable length and may be based on implementation (e.g., 6 in.-6 ft., etc.). In one embodiment, the receptacle/adaptor 520 may have more than one USB connection ports 250 that are integrated with the receptacle/adaptor 520. In one embodiment, the receptacle/adaptor may include a cord winding portion to wind the cord 530. In some embodiments, the cord 530 is optional and may or may not be included with the receptacle/adaptor 520. In one embodiment, the cord 530 is removably or permanently coupled to the receptacle/adaptor 520.

[0023] In one embodiment, the receptacle/adaptor 520 may include attachment portions 260 for either permanently or removably attaching the receptacle/adaptor to a utility bag or other device. In one embodiment, the receptacle/adaptor 520 may include a channel or cut-out portion for passing the cord 530. In one embodiment, the receptacle/adaptor 520 includes a front coupling portion 510 and a rear coupling portion 220. In one embodiment, a gap 270 between the front coupling portion 510 and the rear coupling portion 220 may be fitted over non-rigid or semi-rigid material of a pocket of a utility bag or other device, placed over a rigid material of a device for placement of the receptacle/adaptor 520. In one embodiment, the USB cord 530 may be fitted into a conduit, tunnel, groove, etc. of utility bags, bags, cases, boxes, coolers, clothing, etc. In one embodiment, the rear coupling portion 220 has a length greater than the front coupling portion 510.

[0024] In one embodiment, the receptacle/adaptor 520 may be positioned in a pocket, clipped to a pocket, part of a pocket, positioned inside a utility bag, part of a wall of a utility bag (e.g., a side-wall, an end-wall, etc.), container, case, box, cooler, etc. as desired. In one embodiment, the receptacle/adaptor includes battery terminal connectors 205 that couple with terminals of a battery to transfer the voltage or power to

the receptacle/adaptor 520 to power the USB connection port 250 and/or the USB cord 530 and USB port 210 (and any other optional USB ports). In one embodiment, the receptacle/adaptor 520 includes a USB cord guide element 240 (e.g., a loop, open loop, removable portion of a loop, etc.) that may be placed around or over the USB cord 530 for maintaining the USB cord 530 in a desired position.

[0025] FIG. 2 illustrates a perspective view 300 of the receptacle/adaptor 520 for a battery pack as illustrated in FIG. 1 and showing an example implementation with a utility bag 540 (or other device) according to one embodiment. In one embodiment, the battery pack 610 is slid or placed into the receptacle/adaptor 520 and connects with the battery terminal connectors 205 for powering the USB connection port 250 and the optional USB cord 530. In one embodiment, the cord 530 is disposed within a through-hole 550 and into a conduit or channel of the utility bag 540 (or other device). In one embodiment, the front coupling portion 510 fits over material 255 of the utility bag 540 (or other device) and the rear coupling portion 220 fits within or behind the material 255 for holding the receptacle/adaptor 520 in place.

[0026] FIG. 3 illustrates a perspective view 400 of another receptacle/adaptor 520 for a battery pack according to one embodiment. In one embodiment, the receptacle/adaptor 520 includes a front coupling portion 410, a rear coupling portion 415, a rotational element 411, and a retaining portion 412. In one embodiment, retaining portion 412 is configured for coupling material of a utility bag (or other device) behind the retaining portion 412, which creates a locking or fastening of the rear coupling portion 415 and prevents removal unless the rear coupling portion 415 is forced downward to release the material from the retaining portion 412.

[0027] In one embodiment, a battery pack slides or clips into place on the receptacle/adaptor 520. In one embodiment, the front coupling portion 410, rotational element 411 and the rear coupling portion 415 form a spring clip type of device that may be pinched or grasped at the top to force the lower portion of the front coupling portion 410 and the lower portion of the rear coupling portion 415 apart, and released to force the lower portion of the front coupling portion 410 and the lower portion of the rear coupling portion 415 towards one another to clip to material.

[0028] FIG. 4 illustrates a perspective view 500 of the receptacle/adaptor 520 shown in FIG. 3 for an example battery pack 610 showing an example implementation with a utility bag 540 (or other device) according to one embodiment. In one embodiment, retaining portion 413 has material 256 of a utility bag 540 (or other device) fit within the material 256 when inserted, which creates a locking or fastening of the rear coupling portion 415 and prevents removal unless the front coupling portion 410 and rear coupling portion 415 are forced downward to release the material 256 from the retaining portion 412. In one embodiment, the material 256 overlaps a portion of the utility bag 540 (or other device). In one embodiment, the receptacle/adaptor 520 is removably coupled to the material 256. In one embodiment, a battery pack 610 slides or clips into place on the receptacle/adaptor 520 in a downward direction. In one embodiment, the front coupling portion 410, rotational element 411 and the rear coupling portion 415 form a spring clip type of device that may be pinched or grasped at the top to force the lower portion of the front coupling portion 410 and the lower portion of the rear coupling portion 415 apart, and released to force the lower portion of the front coupling portion 410 and the lower

portion of the rear coupling portion **415** towards one another to clip to material, such as material **256**.

[0029] In another example embodiment, the receptacle/adapter **520** may be permanently attached to a utility bag **540** (or other device or platform), for example, using rivets, nuts and bolts, heat welding, epoxy welding, snap fit components, etc. In another example embodiment, the receptacle/adapter **520** may be mounted to material **256** internally or externally to the utility bag **540** (or other device).

[0030] In one embodiment, the cord **530** is disposed within a through-hole **550** and into a conduit or channel of the utility bag **540** (or other device). In one embodiment, the front coupling portion **410** fits over material **256** of the utility bag **540** (or other device) and the rear coupling portion **415** fits within or behind the material **256** for holding the receptacle/adapter **520** in place.

[0031] FIG. 5 illustrates a perspective view **600** of still another receptacle/adapter **520** for a battery pack according to one embodiment. In one embodiment, the receptacle/adapter **520** includes a front coupling portion **511**, a rear coupling portion **610**, a first foot portion **613**, and a second foot portion **612**, where a gap or groove **611** is formed between the first foot portion **613** and the second foot portion **612**. In one embodiment, the foot portions **612** and **613** may be forced towards one another (each towards the gap **611**). In one embodiment, a battery pack slides or clips into place on the receptacle/adapter **520** behind or with the battery retaining portion **521**. In one embodiment, the battery retaining portion **521** may be configured for one or more specific manufacturer's type of battery. In other embodiments, the retaining portion **521** may be designed to retain multiple types of manufacturer specific designed batteries.

[0032] FIG. 6 illustrates a perspective view **700** of the receptacle/adapter **520** for a battery pack as illustrated in FIG. 5 and showing an example implementation with a utility bag **540** (or other device) according to one embodiment. In one embodiment, the foot portions **612** and **613** may be forced towards one another (each towards the gap **611**) such that the width of the lower rear coupling portion **610** fits within the material **257** when inserted and expands back after the force is removed, which creates a locking or fastening of the foot portions **612** and **613** outside the width of the material **257** and prevents removal unless the foot portions **612** and **613** are forced towards each other and the receptacle/adapter **520** is forced out of the material **257** that overlaps a portion of the utility bag **540** (or other device). In one embodiment, the material **257** overlaps a portion of the utility bag **540** (or other device). In one embodiment, the receptacle/adapter **520** is removably coupled to the material **257**. In one embodiment, a battery pack **610** slides or clips into place on the receptacle/adapter **520**.

[0033] In another example embodiment, the receptacle/adapter **520** may be permanently attached to a utility bag **540** (or other device), for example, using rivets, nuts and bolts, heat welding, epoxy welding, etc. In another example embodiment, the receptacle/adapter **520** may be mounted to material **257** internally or externally to the utility bag **540** (or other device).

[0034] In one embodiment, the cord **530** is disposed within a through-hole **550** and into a conduit or channel of the utility bag **540** (or other device). In one embodiment, the front coupling portion **511** fits over material **257** of the utility bag

540 (or other device) and the rear coupling portion **610** fits within or behind the material **257** for holding the receptacle/adapter **520** in place.

[0035] FIG. 7 illustrates a perspective view **800** of yet another receptacle/adapter **520** for a battery pack according to one embodiment. In one embodiment, the receptacle/adapter **520** is positioned horizontally on a U-shaped attachment mounting element including a front coupling element **811** and a rear coupling element **810** with a gap **812** formed in-between. In one embodiment, the receptacle/adapter **520** is fixed to the front coupling element **811**. In one embodiment, a battery pack slides or clips into place on the receptacle/adapter **520**. In one embodiment, the receptacle/adapter **520** may be removably coupled to a utility bag or other device, or permanently positioned on the a utility bag or other device using the through-holes **820** and fastening (e.g., using known fastening means, such as rivets, bolts/screws, snaps, etc.). In one embodiment, the receptacle/adapter **520** may be fastened to a utility bag or other device using hook and loop fasteners (e.g., on the back of the rear coupling device **810** and the item to be attached to).

[0036] FIG. 8 illustrates a perspective view **900** of the receptacle/adapter **520** for a battery pack **610** as illustrated in FIG. 7 and showing an example implementation with a utility bag **540** according to one embodiment. In one embodiment, the receptacle/adapter **520** may be mounted horizontally on a pocket **910** or material that provides for placement of the front coupling element **811** and the rear coupling element **810** over the pocket **910** or material. In one embodiment, a battery pack **610** slides or clips into place on the receptacle/adapter **520**. In one embodiment, the receptacle/adapter **520** may be removably coupled to the pocket **910** or permanently positioned on the utility bag **540** (or other device) using the through-holes **820** and fastening (e.g., using known fastening means, such as rivets, bolts/screws, snaps, etc.). In one embodiment, the receptacle/adapter **520** may be fastened to the utility bag **540** (or other device) using hook and loop fasteners.

[0037] In one or more embodiments, the receptacle/adapter **520** embodiments are similar to a receptacle for charging battery packs used for cordless devices or tools (e.g., cordless drills, cordless screwdrivers, cordless saws, cordless garden tools, cordless sanders, etc. In one or more embodiments, the receptacle/adapter **520** includes metal connectors **205** that make contact with contacts of an inserted battery pack (e.g., battery pack **610**) for passing electricity from the battery pack to the receptacle/adapter **520** and through the cord USB connector **250** and USB cord **530** (if included).

[0038] FIG. 9 illustrates a perspective view of the receptacle/adapter **520** for a battery pack **610** shown in FIG. 8 shown in another orientation (vertical) and showing an example implementation with a utility bag (e.g., utility bag **540**) according to one embodiment. In one embodiment, the receptacle/adapter **520** is rotatable between horizontal and vertical orientations on the front coupling element **811**. In other embodiments, the receptacle/adapter **520** may be fixed in a vertical orientation.

[0039] FIG. 10 illustrates a perspective view of another receptacle/adapter **520** for a battery pack **610** and showing an example implementation with a utility bag **540** according to one embodiment. In one embodiment, the receptacle/adapter **520** is coupled to a mounting element **1010**. In one embodiment, the mounting element **1010** forms a fully or partially closed loop where material **1030** may be fastened within a fastening channel **1020** within the mounting element **1010**. In

one embodiment, the receptacle/adaptor **520** is mounted horizontally within the utility bag **540** (or other device). In one embodiment, a battery pack may be inserted within the receptacle/adaptor **520**. In one embodiment, the receptacle/adaptor **520** may be mounted on a wall of the utility bag **540** (either vertically, horizontally, or angled). In one embodiment, the receptacle/adaptor **520** is either permanently or removably connected to the material **1030**.

[0040] In one or more embodiments, the receptacle/adaptor **520** is movable to multiple connection portions of the interior portion of a utility bag **540** or other device in order to fit different sized battery packs. In one embodiment, the receptacle/adaptor **520** includes multiple sized slots/grooves and multiple placed electrical connectors **205** for fitment of different battery pack sizes and or battery packs of different voltages.

[0041] In one or more embodiment, the receptacle/adaptor **520** and respective components may be made of one or more of: ABS, reinforced polypropylene, polypropylene, high-density polyethylene, nylon material, hardened plastic, polymer, rubber, composite material, metal or metal alloy, etc., carbon fiber, fiberglass, or other similar or equivalent materials.

[0042] In one embodiment, the battery pack receptacle is similar to a receptacle for charging battery packs used for cordless devices or tools (e.g., cordless drills, cordless screwdrivers, cordless saws, cordless garden tools, cordless sanders, etc. In one embodiment, the receptacle/adaptor **520** includes metal connectors **205** that make contact with contacts of an inserted battery pack for passing electricity from the battery pack to the receptacle/adaptor **520** and through the cord **530** (add optionally to a USB connector **250**, e.g., FIG. 8).

[0043] In one or more embodiments, the receptacle/adaptor **520** embodiments may coupled with battery packs that may be specific to a manufacturer in order to only fit specific types of battery packs. In other embodiments, the receptacle/adaptor **520** embodiments may be a universal type of receptacle to fit one or more types of battery packs. In one embodiment, receptacle/adaptor **520** embodiments may hold batteries having different types of voltages, such as 12 V., 18 V., 24 V., 36 V., etc. In one embodiment, receptacle/adaptor **520** embodiments include a circuit that limits voltage/ampereage for different types of electronic devices, which may have different power requirements.

[0044] In the description above, numerous specific details are set forth. However, it is understood that embodiments of the invention may be practiced without these specific details. For example, well-known equivalent components and elements may be substituted in place of those described herein, and similarly, well-known equivalent techniques may be substituted in place of the particular techniques disclosed. In other instances, well-known structures and techniques have not been shown in detail to avoid obscuring the understanding of this description.

[0045] In the description above, numerous specific details are set forth. However, it is understood that embodiments may be practiced without these specific details. For example, well-known equivalent components and elements may be substituted in place of those described herein, and similarly, well-known equivalent techniques may be substituted in place of the particular techniques disclosed. In other instances, well-

known structures and techniques have not been shown in detail to avoid obscuring the understanding of this description.

[0046] Reference in the specification to “an embodiment,” “one embodiment,” “some embodiments,” or “other embodiments” means that a particular feature, structure, or characteristic described in connection with the embodiments is included in at least some embodiments, but not necessarily all embodiments. The various appearances of “an embodiment,” “one embodiment,” or “some embodiments” are not necessarily all referring to the same embodiments. If the specification states a component, feature, structure, or characteristic “may,” “might”, or “could” be included, that particular component, feature, structure, or characteristic is not required to be included. If the specification or claim refers to “a” or “an” element, that does not mean there is only one of the element. If the specification or claims refer to “an additional” element, that does not preclude there being more than one of the additional element.

[0047] While certain exemplary embodiments have been described and shown in the accompanying drawings, it is to be understood that such embodiments are merely illustrative of and not restrictive on the broad invention, and that this invention not be limited to the specific constructions and arrangements shown and described, since various other modifications may occur to those ordinarily skilled in the art.

What is claimed is:

1. An apparatus comprising:
 - a battery pack receptacle that removably couples to a battery pack used for a cordless device;
 - a universal serial bus (USB) port that is coupled to the battery pack receptacle, wherein the battery pack is used as a power source for the USB port; and
 - an attachment device coupled to the battery pack receptacle, the attachment device is configured for attaching the battery pack receptacle to a platform.
2. The apparatus of claim 1, wherein the battery pack receptacle is coupled to the attachment device in one of a vertical and a horizontal state.
3. The apparatus of claim 1, further comprising a USB cord coupled to a USB receptacle.
4. The apparatus of claim 1, wherein the attachment device comprises a first foot portion and a second foot portion, wherein the first foot portion and the second foot portion are configured for locking the battery pack receptacle in a sleeve of the platform.
5. The apparatus of claim 4, wherein the attachment device includes a front coupling portion and a rear coupling portion, wherein the rear coupling portion has a length greater than the front coupling portion.
6. The apparatus of claim 1, wherein the attachment device includes a front coupling portion, a rotational element and a rear coupling portion that combine to form a spring clip.
7. The apparatus of claim 1, wherein attachment device is rotatable on the attachment device.
8. The apparatus of claim 1, wherein the attachment device comprises a U-shaped attachment mounting element.
9. The apparatus of claim 1, wherein the attachment device comprises a closed loop that forms a fastening channel.
10. The apparatus of claim 1, wherein the attachment device is configured for one of removably coupling to the platform, and permanently coupling to the platform.
11. The apparatus of claim 10, wherein the platform comprises one of: a sporting bag, a fishing bag, a luggage con-

tainer, a backpack, a duffle bag, a tool bag, emergency services bag, a cooler, a camping bag, a belt and a ladder.

12. An apparatus comprising:

a battery pack receptacle that removably receives a battery pack used for a cordless device;

an attachment device coupled to the battery pack receptacle that is configured for attaching the battery pack receptacle to a platform; and

one or more universal serial bus (USB) connectors coupled to the battery pack receptacle.

13. The apparatus of claim **12**, wherein the battery pack receptacle transfers power from a received battery pack to the one or more USB connectors.

14. The apparatus of claim **13**, further comprising a cord coupled to a first USB connector.

15. The apparatus of claim **12**, wherein the battery pack receptacle is coupled to the attachment device in one of a vertical and a horizontal state, and the attachment device is one of rotatable and fixed on the attachment device.

16. The apparatus of claim **12**, wherein the attachment device comprises a first foot portion and a second foot portion, wherein the first foot portion and the second foot portion are movable towards one another.

17. The apparatus of claim **12**, wherein the attachment device includes a front coupling portion and a rear coupling portion, wherein the rear coupling portion has a length greater than the front coupling portion.

18. The apparatus of claim **12**, wherein the attachment device includes a front coupling portion, a rotational element and a rear coupling portion that combine to form a spring clip.

19. The apparatus of claim **12**, wherein the attachment device comprises a closed loop that forms a fastening channel.

20. The apparatus of claim **12**, wherein the platform comprises one of: a sporting bag, a fishing bag, a luggage container, a backpack, a duffle bag, a tool bag, emergency services bag, a cooler, a camping bag, a belt and a ladder.

* * * * *